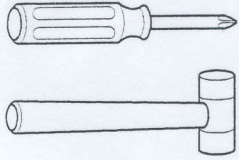


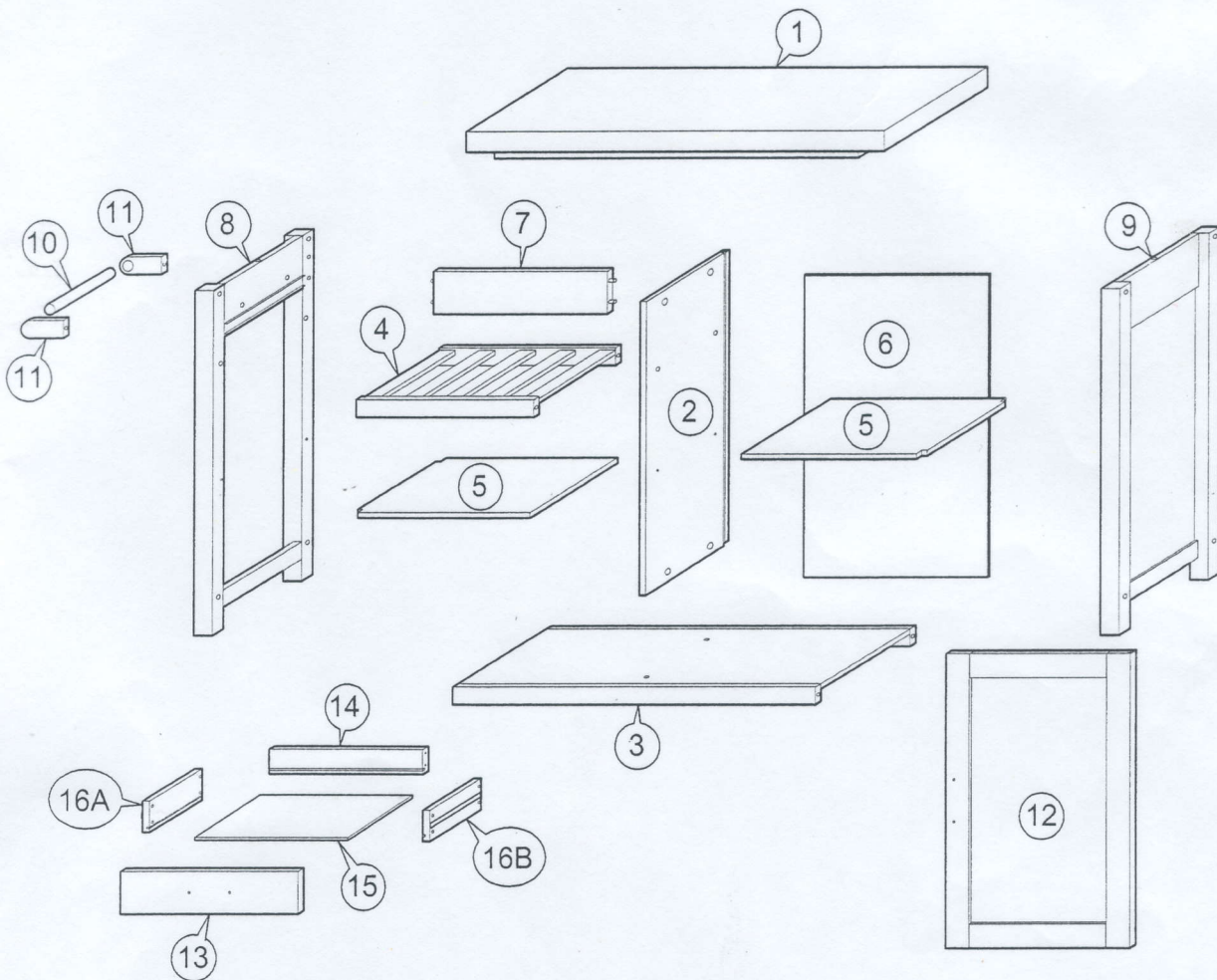
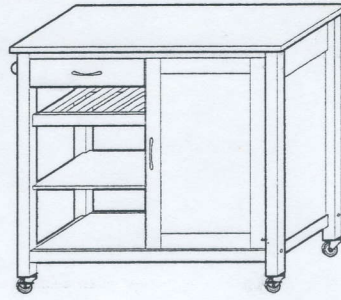
ASSEMBLY
INSTRUCTIONS

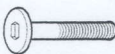


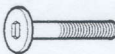

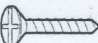
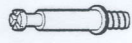
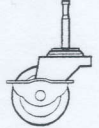

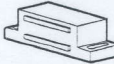




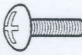

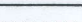

Item : Denver Kitchen Cart

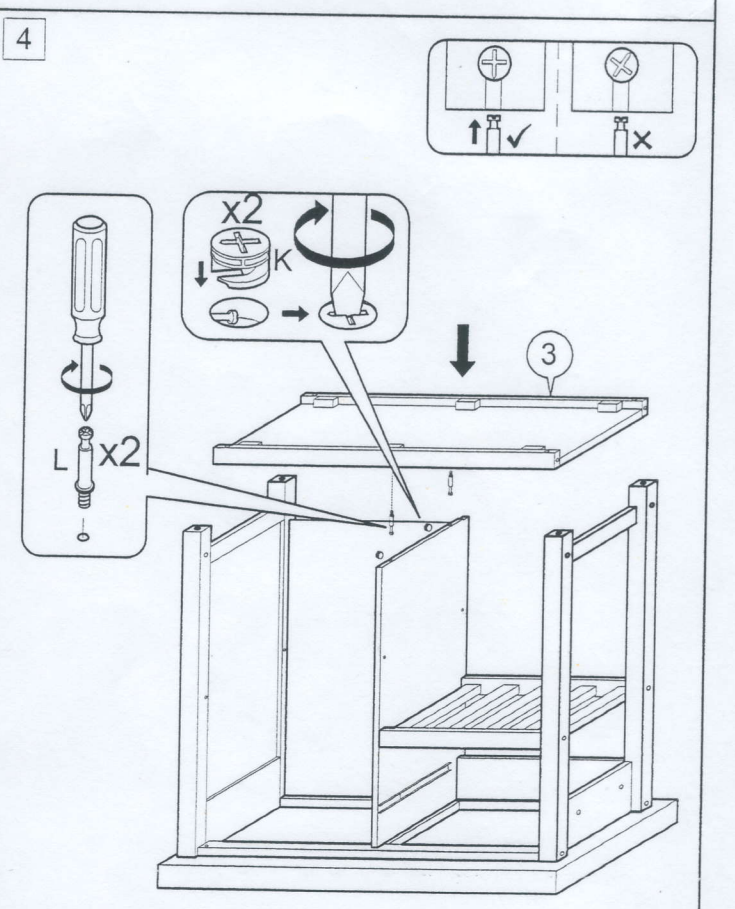
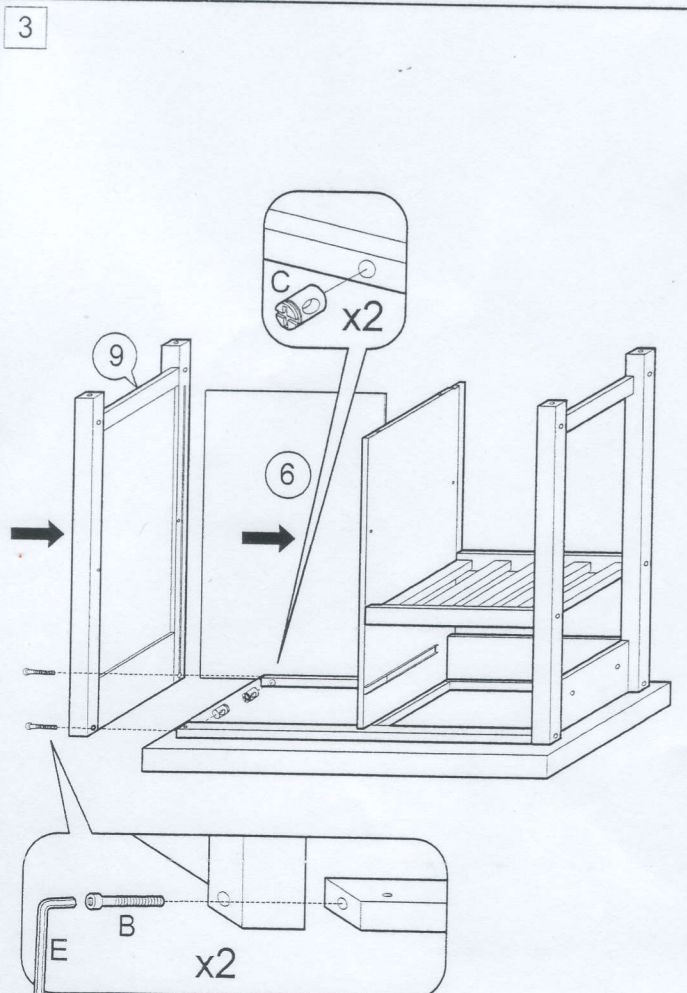
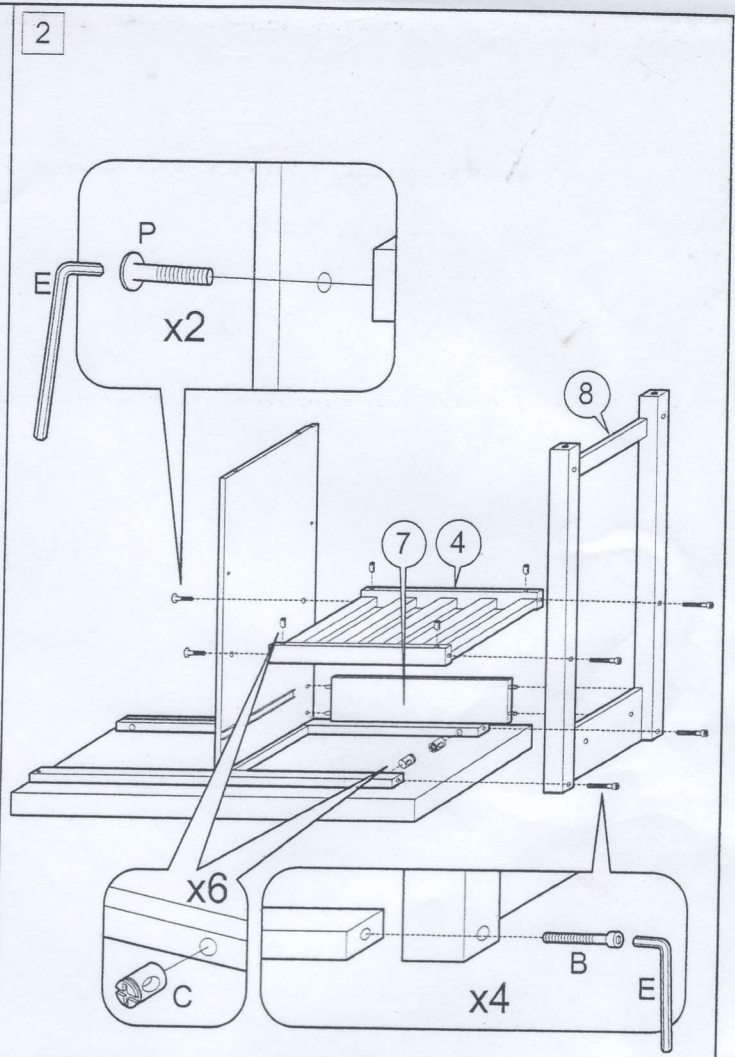
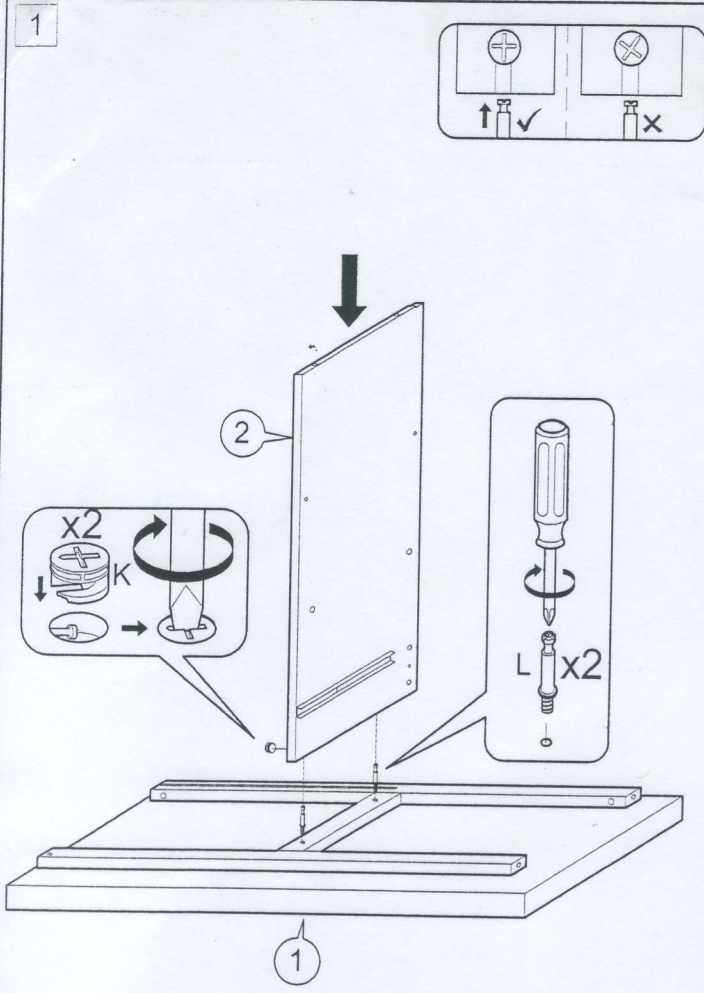
RT185



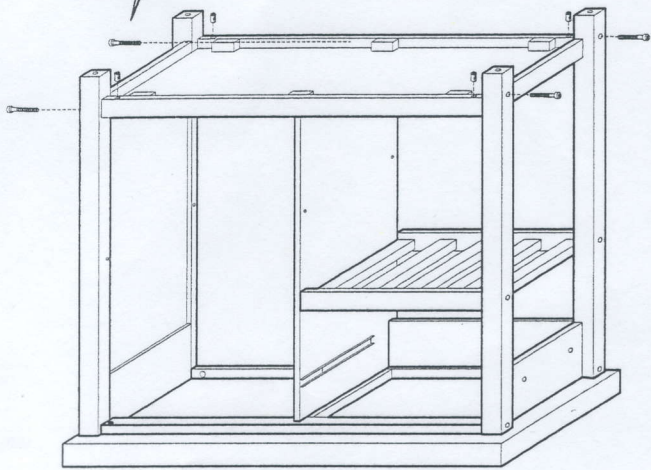
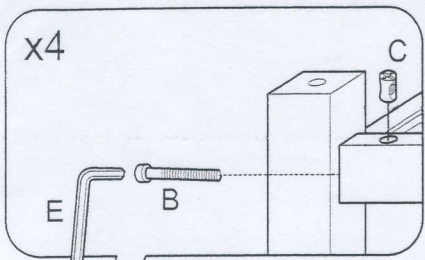
Not Provided



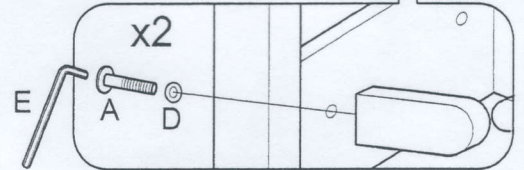
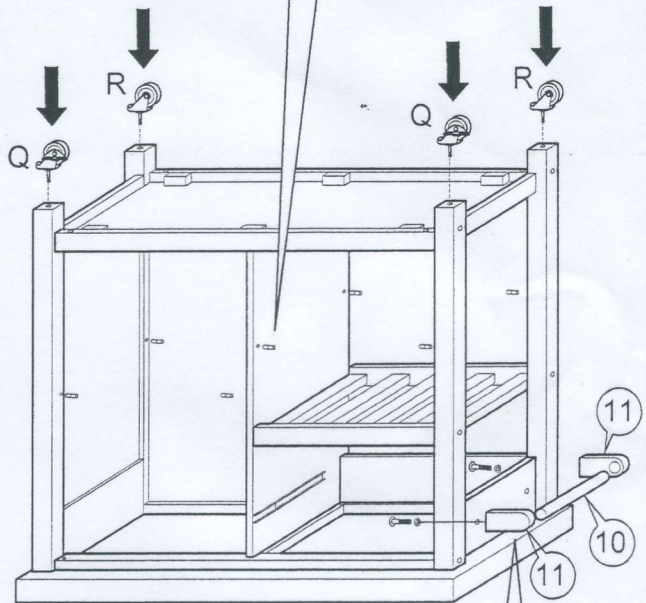
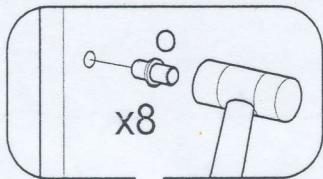
A	 M6 x 40mm = 2	F	 10.5Ø = 10	K	 9mm = 4	P	 M6 x 50mm = 2
B	 M6 x 60mm = 10	G	 M3.5 x 32mm = 8	L	 24mm = 4	Q	 50mm = 2
C	 M6 x 13mm = 12	H	 = 1	M	 = 2	R	 50mm = 2
D	 1/4" = 2	I	 M3 x 16mm = 2	N	 20mm = 4		
E	 = 1	J	 = 2	O	 = 8		



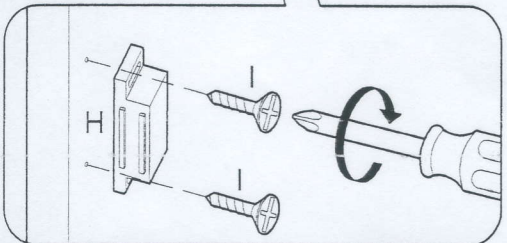
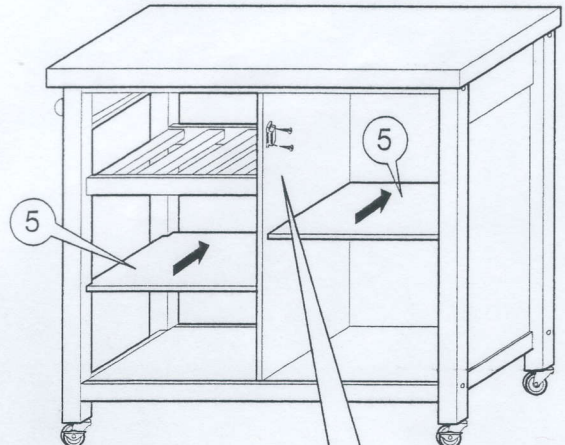
5



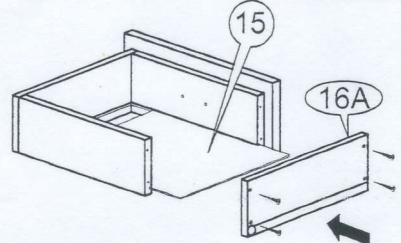
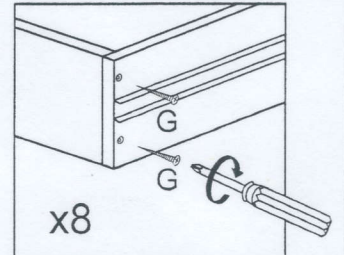
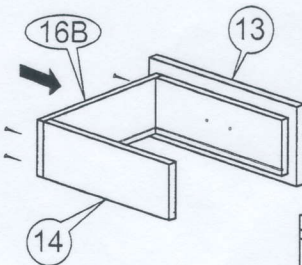
6



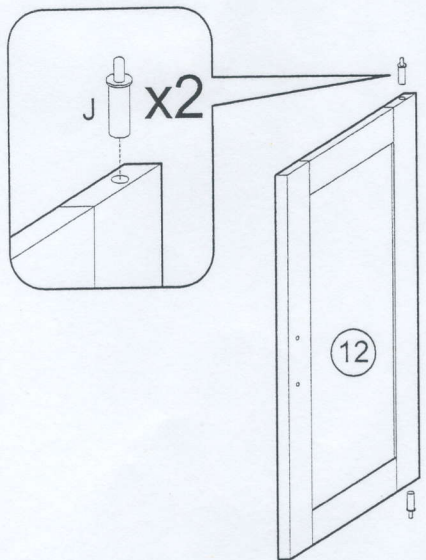
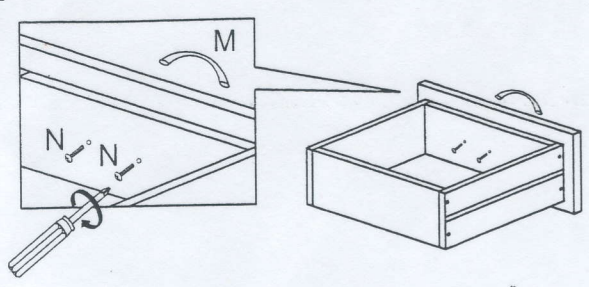
7



8



9



10



11

