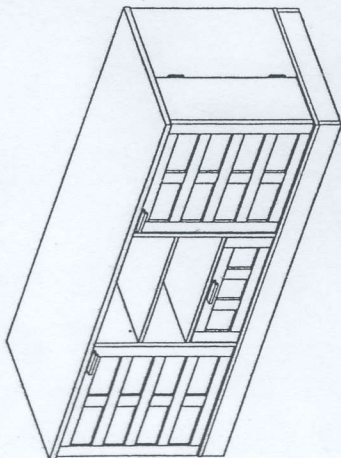
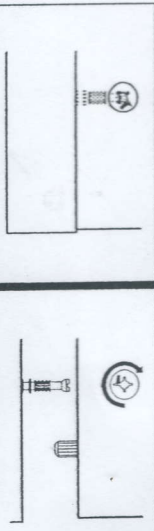


Assembly Instruction

Model : FTV - 4122



Dowel / Cam - Lock Installation

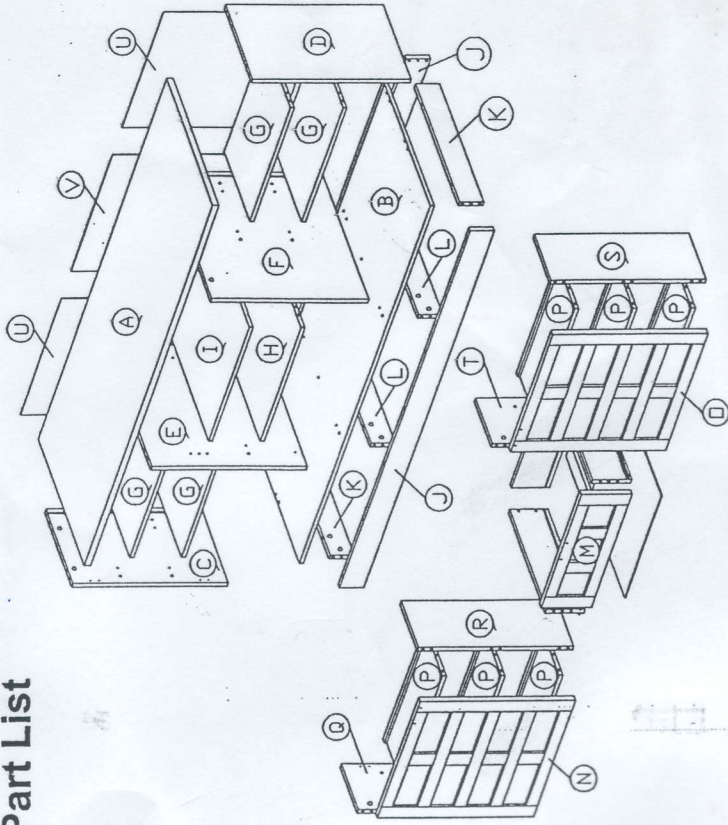


Hardware List

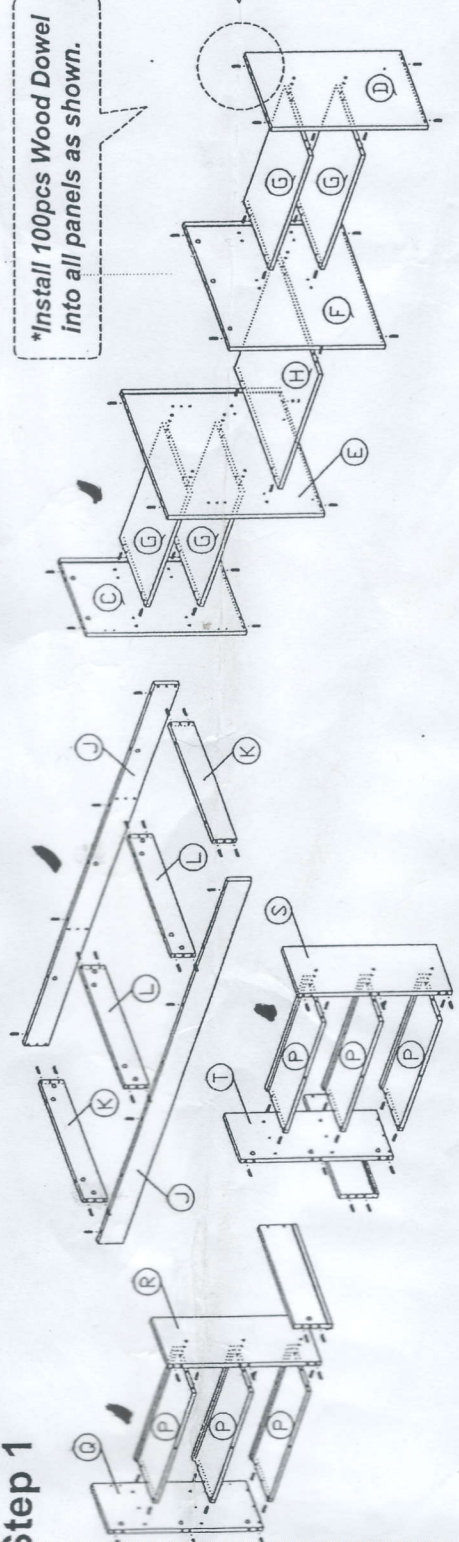
SHAPE	DESCRIPTION	Qty.
-------	-------------	------

1	8x25mm Wood Dowel	100Pcs
2	15MM Titus Mini Fix	85Sets
3	M3x12mm Screw	8Pcs
4	M3.5x15mm Screw	4Pcs
5	M3x16mm Screw	28Pcs
6	M4x38mm Screw	5Pcs
7	M5x38mm Screw	10Pcs
8	Shelf Support	4Pcs
9	Nail	15Pcs
10	Drawer Slide 16" (400mm)	1Set
11	Handle L Shape (84mm) M3.6x24mm Screw	3Sets
12	Double Roller Catch	2Sets
13	Nail Leg	8Pcs
14	15mm Minifix Cap	22Pcs
15	Hinges (RA4406 180°)	4Pcs

Part List

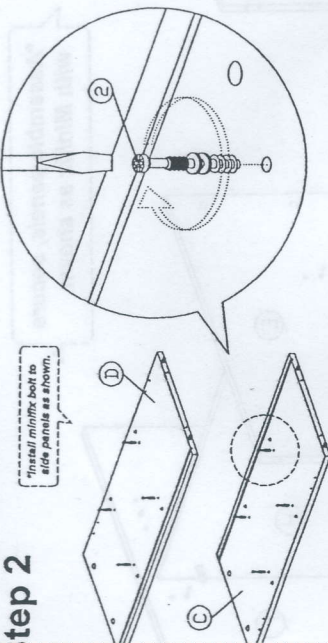


Step 1

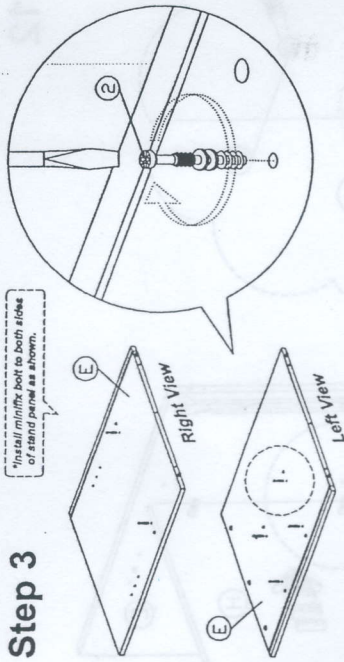


Assembly Instruction

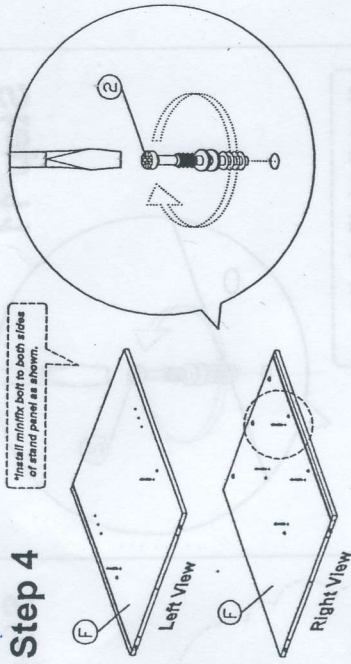
Step 2



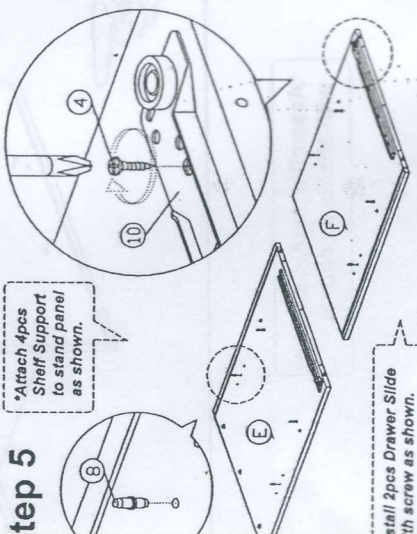
Step 3



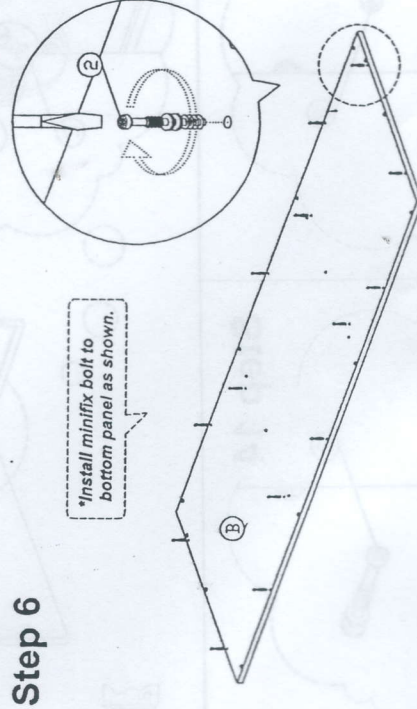
Step 4



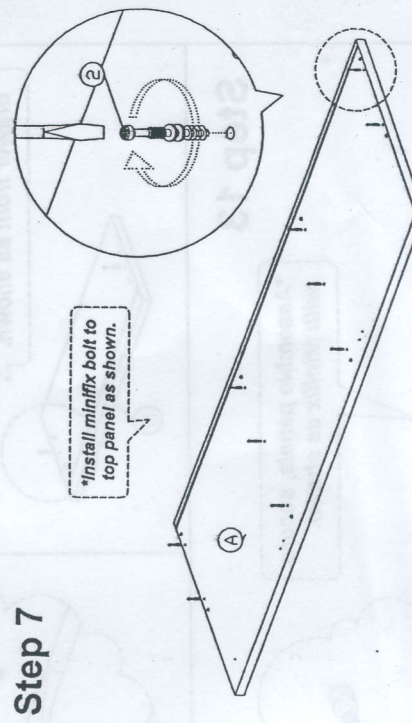
Step 5



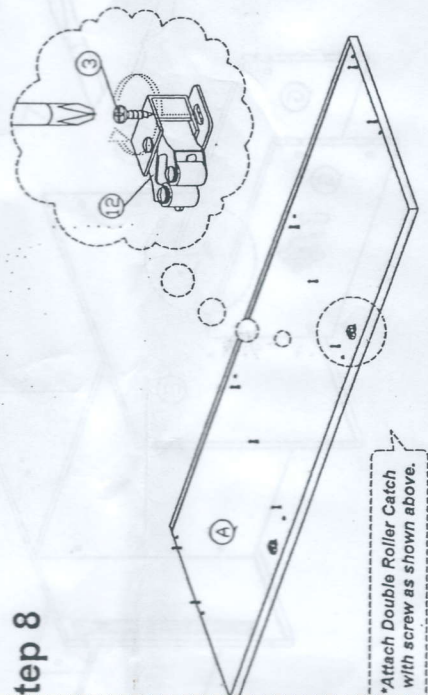
Step 6



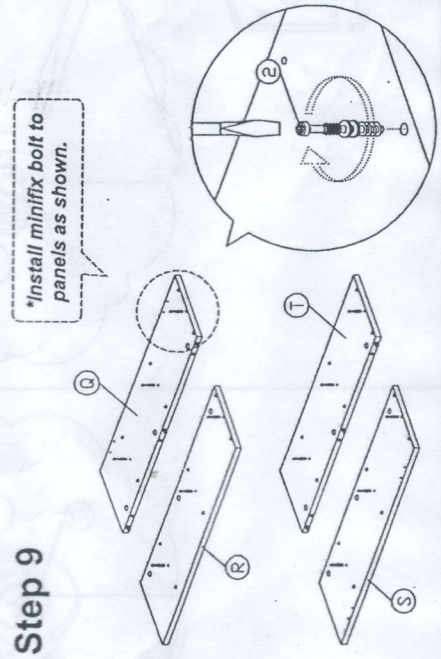
Step 7



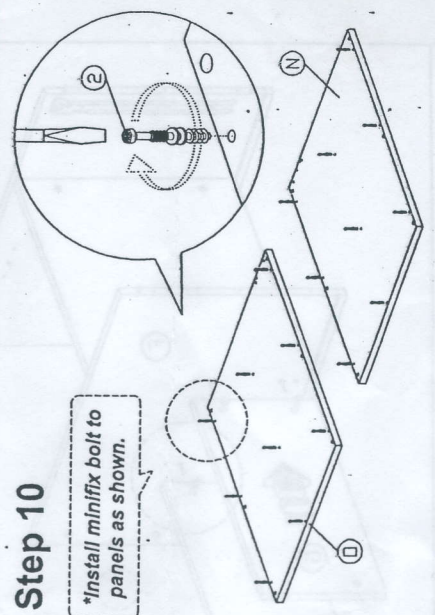
Step 8



Step 9

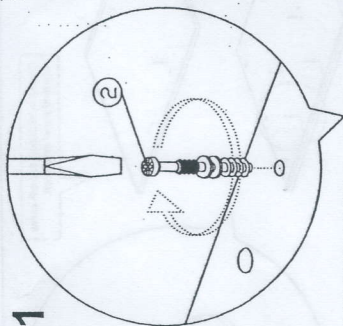


Step 10

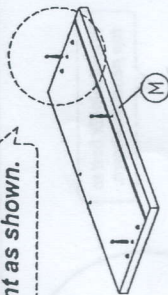


Assembly Instruction

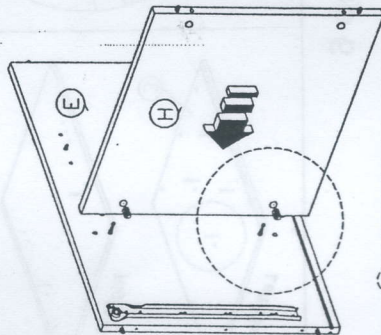
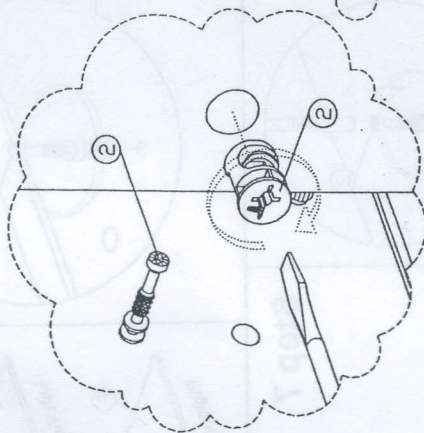
Step 11



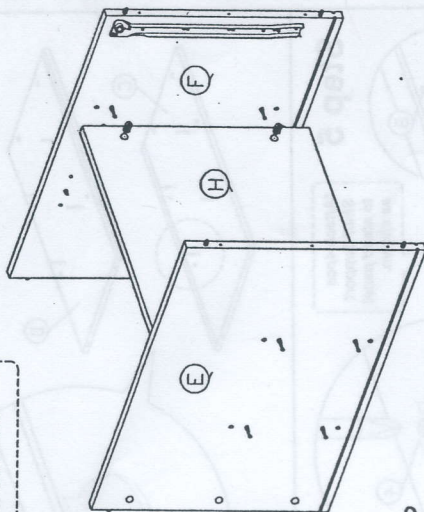
Install minifix bolt to drawer front as shown.



Step 12

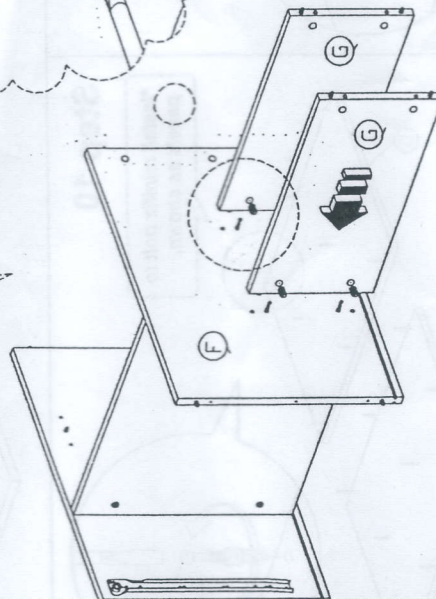


*Assemble panels, secure with Minifix as shown.

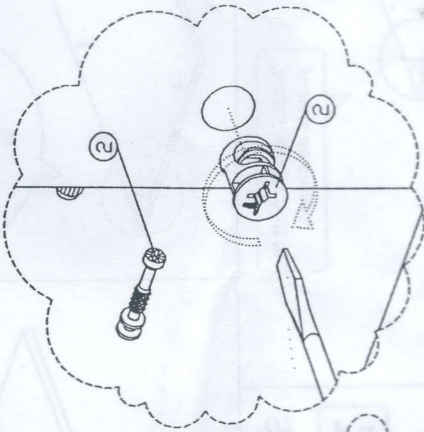


Step 13

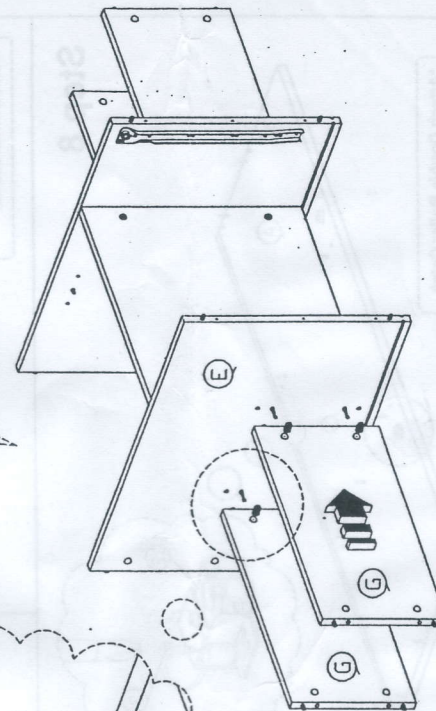
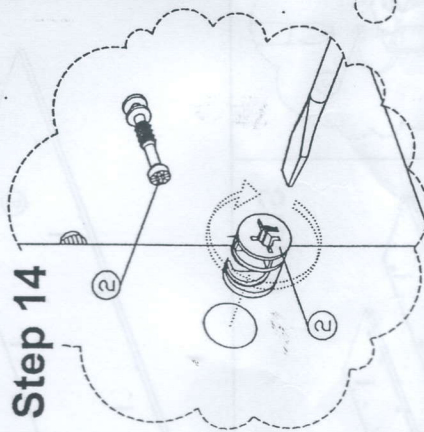
*Assemble panels, secure with Minifix as shown.



Step 14

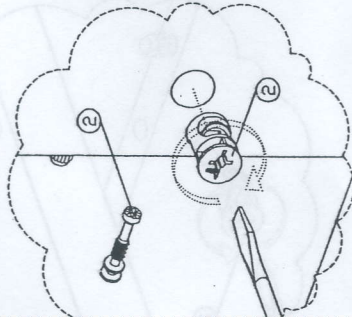


*Assemble panels, secure with Minifix as shown.



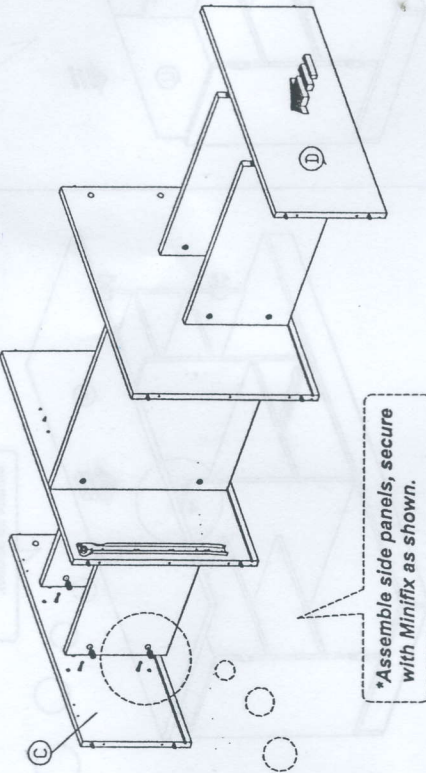
Assembly Instruction

Step 15



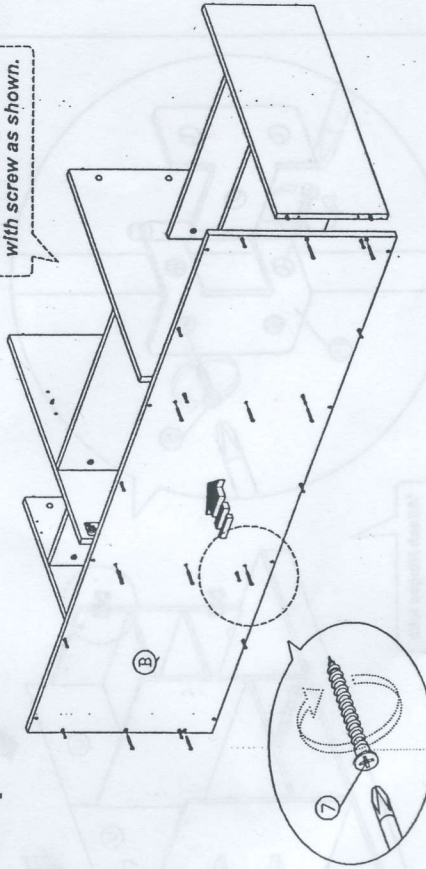
*Install minifix bolt to leg panel as shown.

Step 16

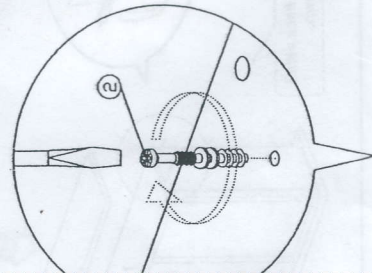


*Assemble side panels, secure with Minifix as shown.

*Place bottom, secure with screw as shown.

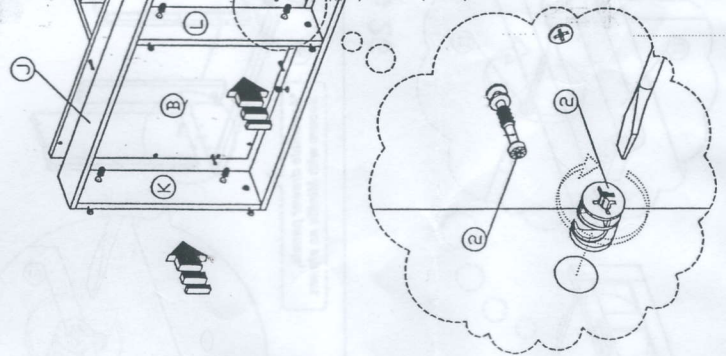


Step 17



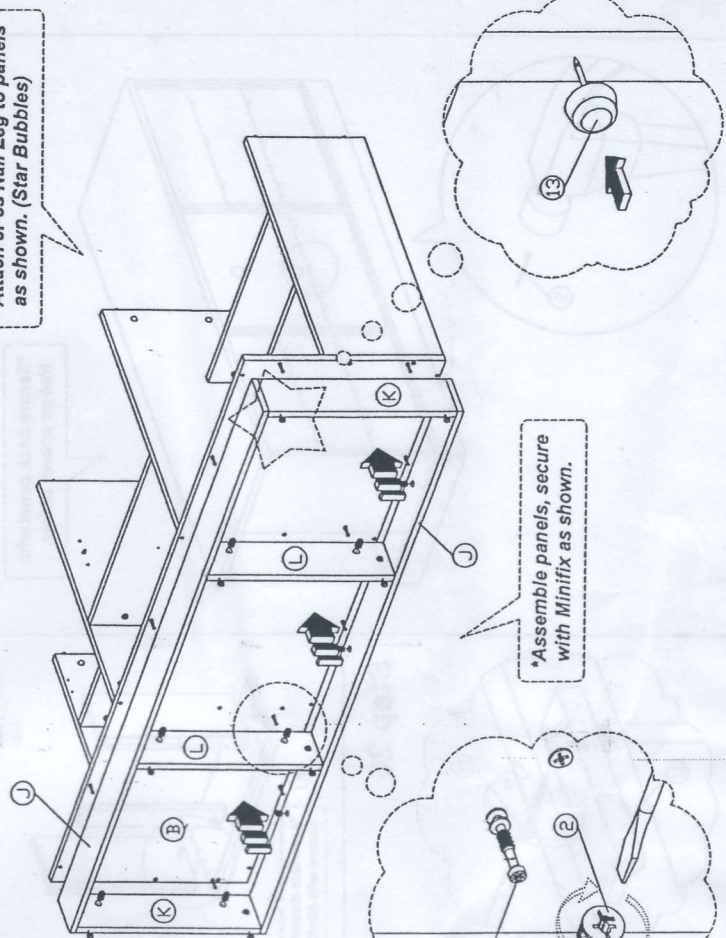
*Install minifix bolt to leg panel as shown.

Step 19



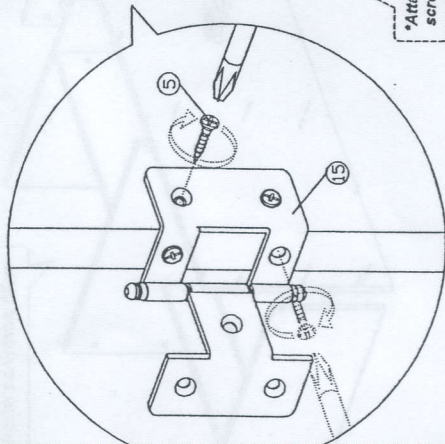
*Assemble panels, secure with Minifix as shown.

*Attach 8Pcs Nail Leg to panels as shown. (Star Bubbles)

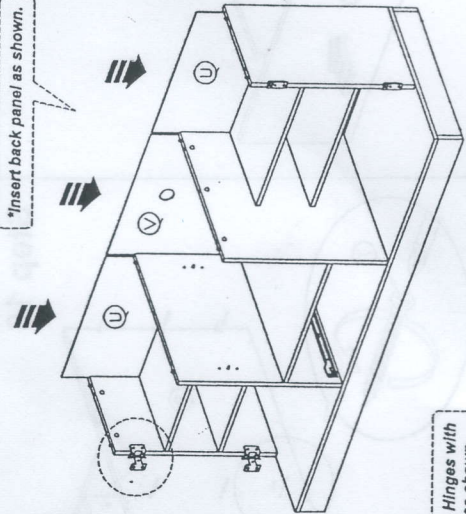


Assembly Instruction

Step 20

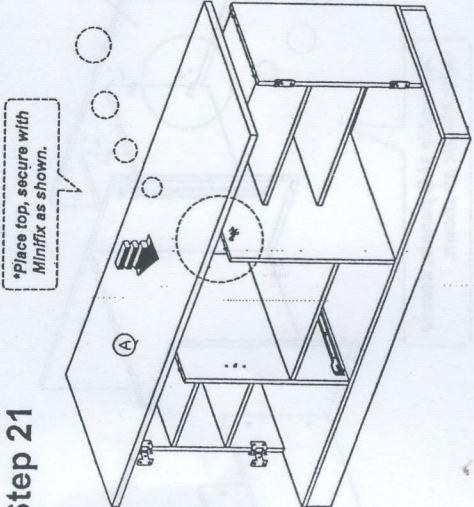


*Attach Hinges with screw as shown.

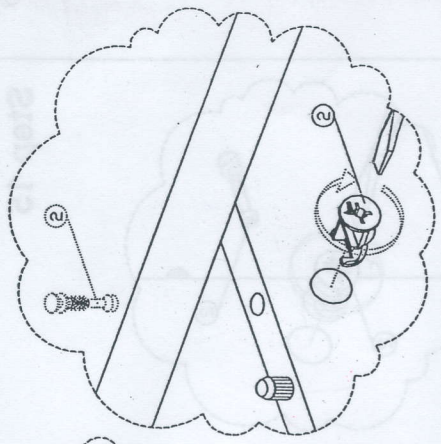


*Insert back panel as shown.

Step 21

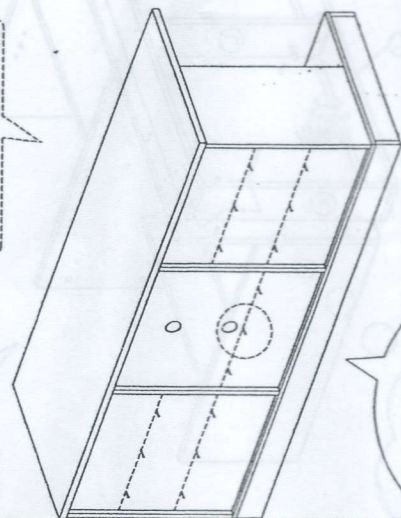


*Place top, secure with Minifix as shown.

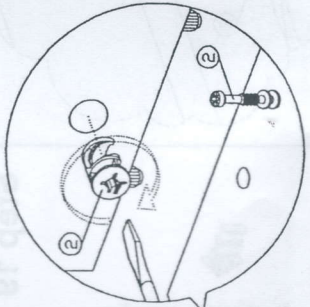


Step 22

*Secure back panel with Nail as shown below.

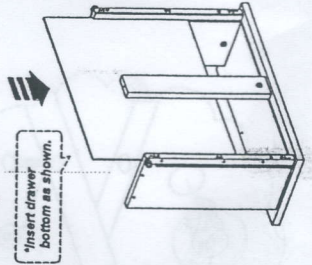


Step 23



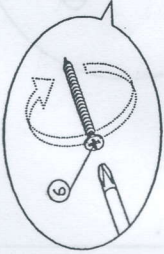
*Assemble drawer panels, secure with Minifix as shown.

Step 24



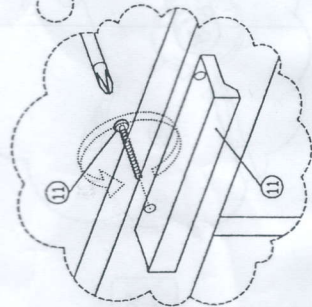
*Insert drawer bottom as shown.

Step 25



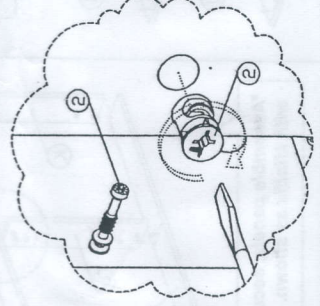
*Assemble drawer back panel with screw as shown.

Step 26

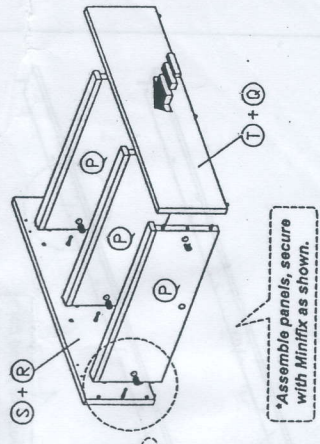


*Install Handle with screw as shown.

Step 27

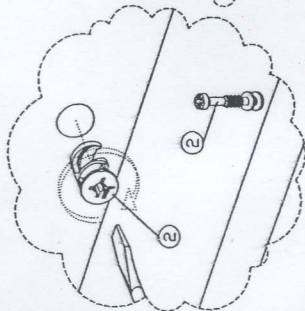


*Assemble panels, secure with Minifix as shown.

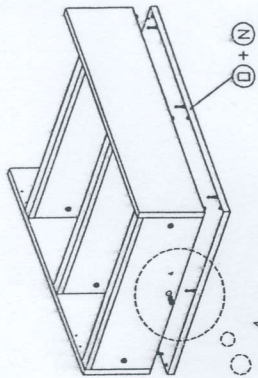


Assembly Instruction

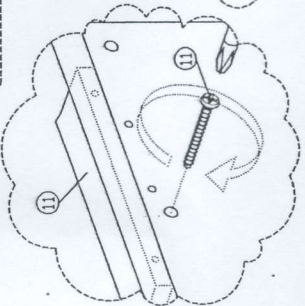
Step 28



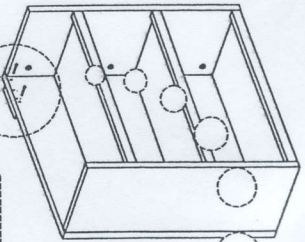
*Assemble panels, secure with Minifix as shown.



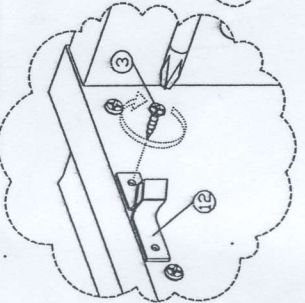
Step 29



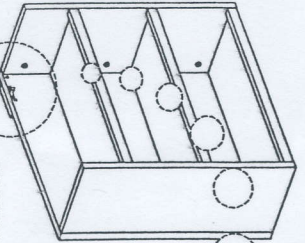
*Install Handle to door with screw as shown.



Step 30

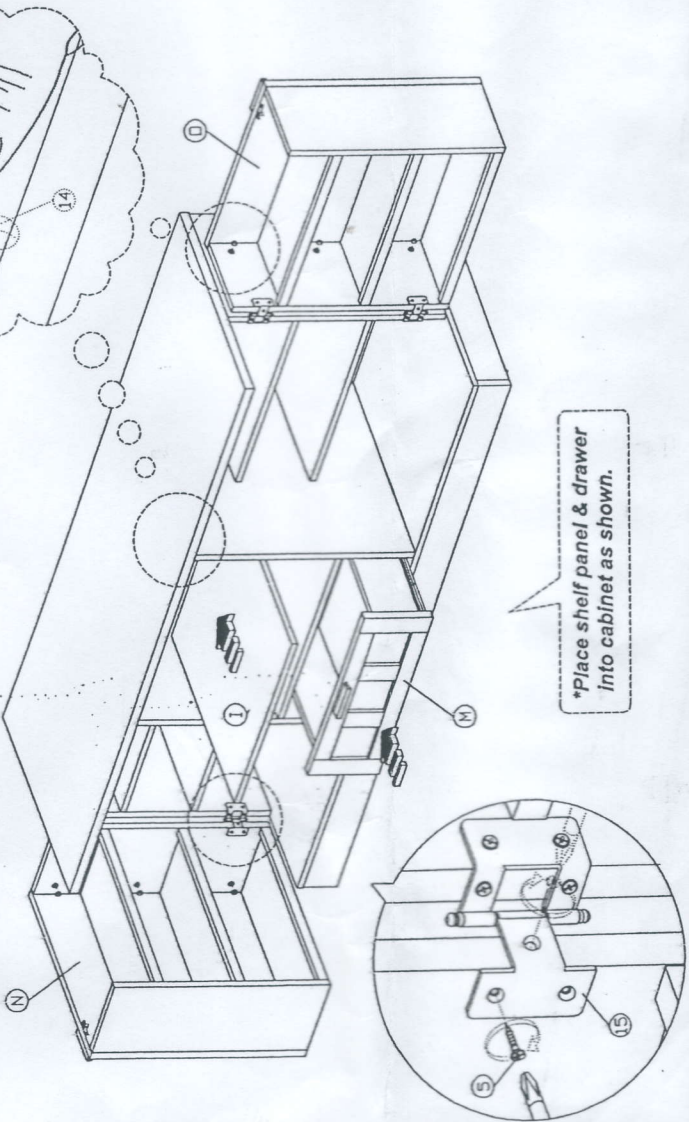


*Install Double Roller Catch plate with screw as shown.



Step 31

*Place door, secure Hinges with screw as shown.



*Attach 22pcs Minifix Cap to all Minifix hole as shown.

*Place shelf panel & drawer into cabinet as shown.

Complete

