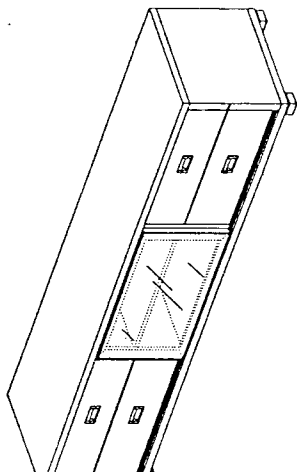
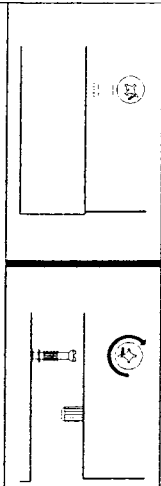


# Assembly Instruction

odel : FTV - 4124

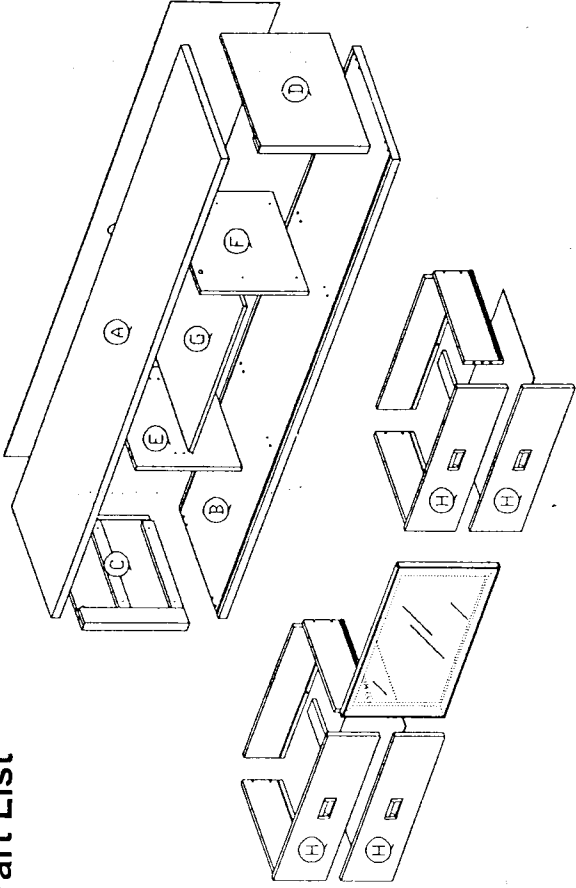


*Dowel / Cam - Lock Installation*

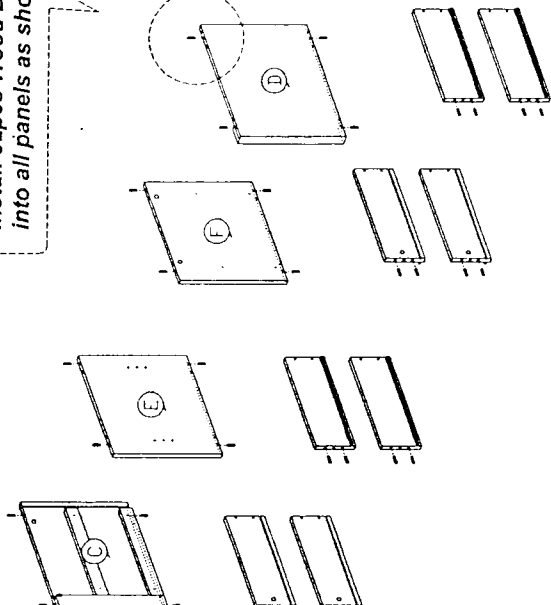


Hardware List			QTY.
No.	SHAPE	DESCRIPTION	
1		8x25mm Wood Dowel	32Pcs
2		15MM Titus Mini Fix	20Sets
3		M3.5x15mm Screw	40Pcs
4		M4x38mm Screw	20Pcs
5		M4x65mm Screw	8Pcs
6		Shelf Support	4Pcs
7		Nail	6Pcs
8		PVC Square Leg	6Pcs
9		Drawer Slide 14" (350mm)	4Sets
10		PVC Lining Rail (1734mm)	1Set

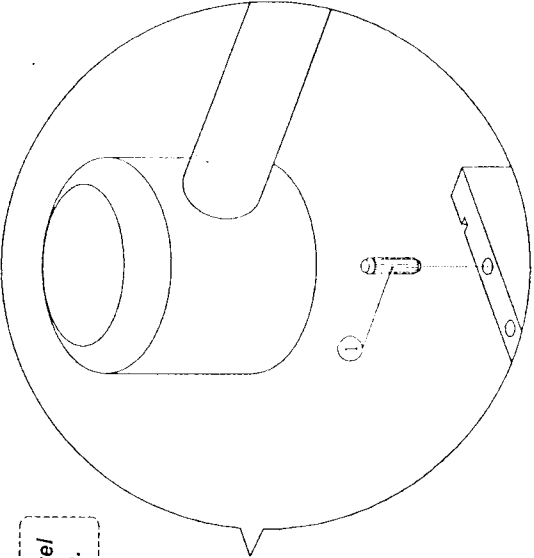
## Part List



## Step 1

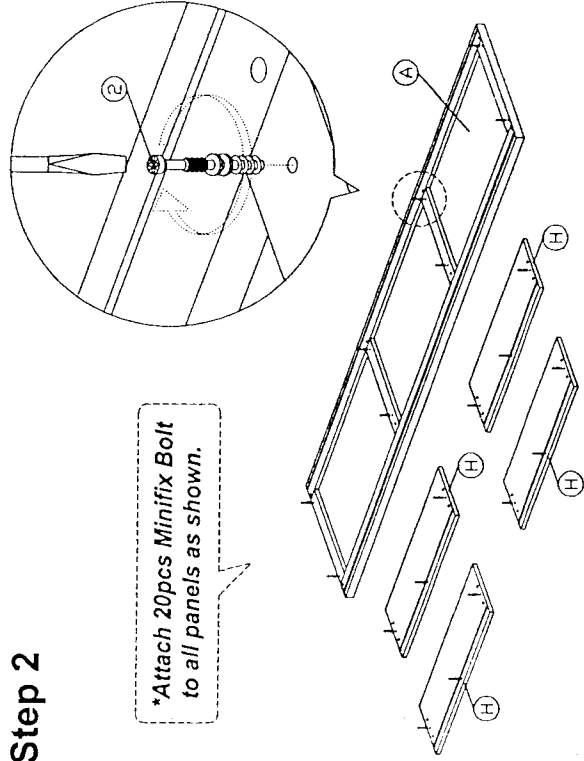


\*Install 32pcs Wood Dowel into all panels as shown.



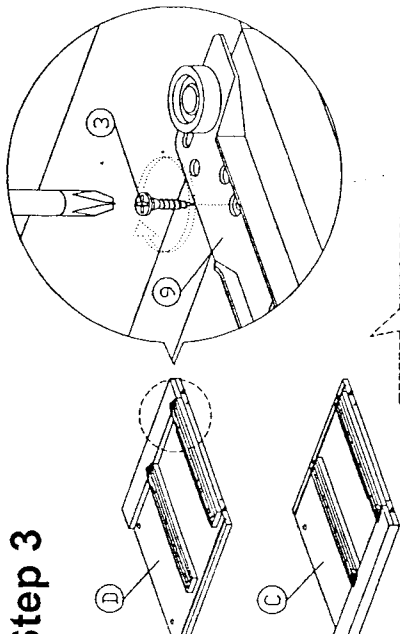
## Step 2

\*Attach 20pcs Minifix Bolt to all panels as shown.



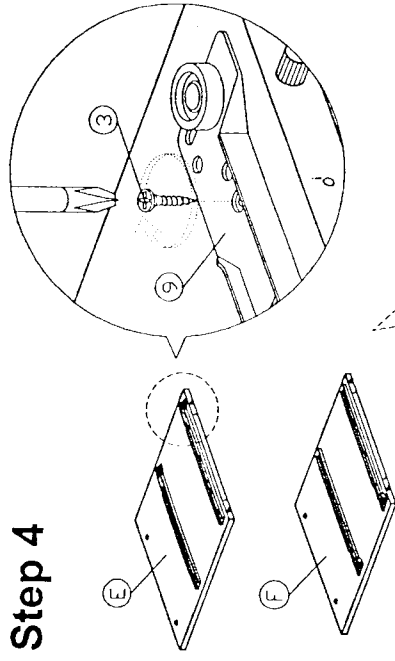
# Assembly Instruction

Step 3



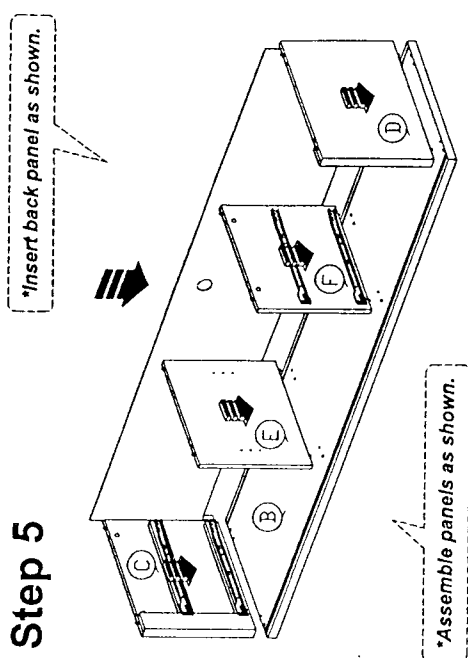
\*Install 4pcs Drawer Slide as shown above.

Step 4



\*Install 4pcs Drawer Slide as shown above.

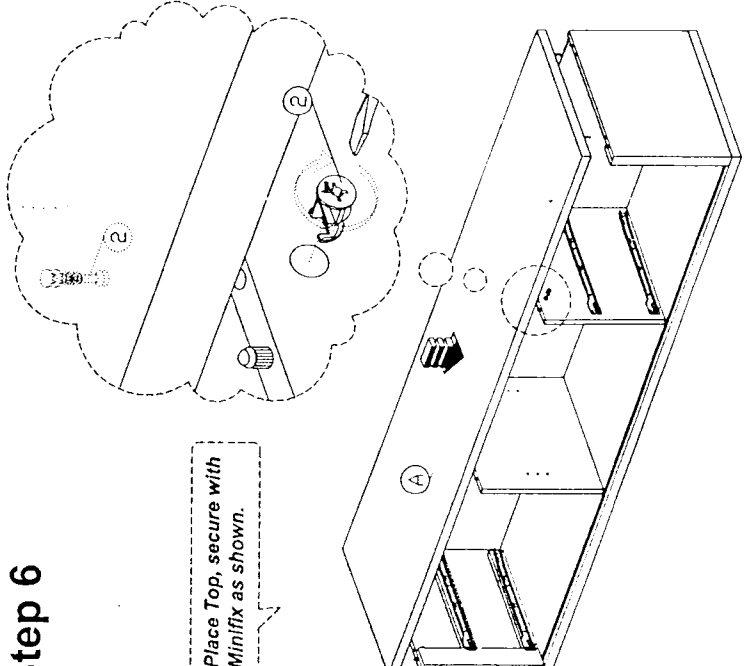
Step 5



\*Assemble panels as shown.

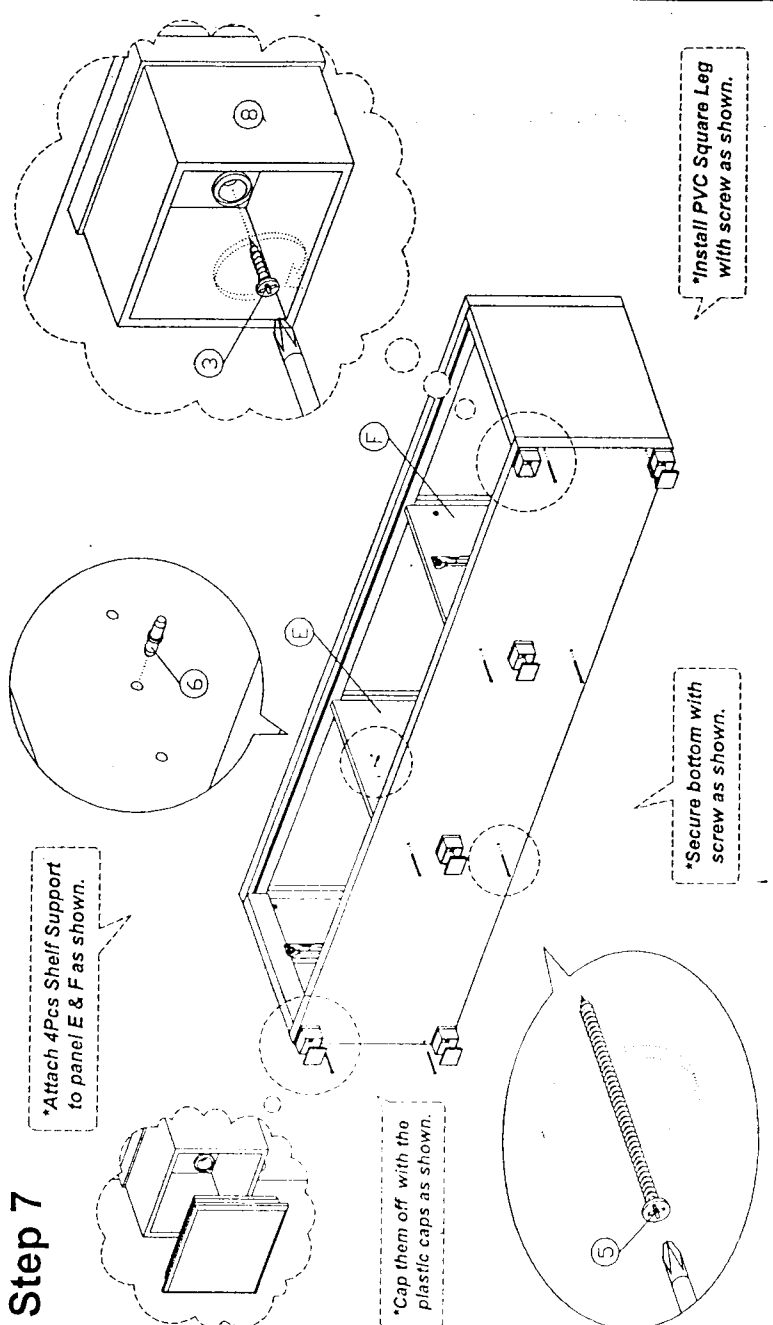
\*Insert back panel as shown.

Step 6



Place Top, secure with Minifix as shown.

Step 7



\*Attach 4Pcs Shelf Support to panel E & F as shown.

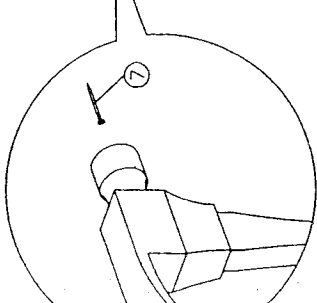
\*Cap them off with the plastic caps as shown.

\*Secure bottom with screw as shown.

\*Install PVC Square Leg with screw as shown.

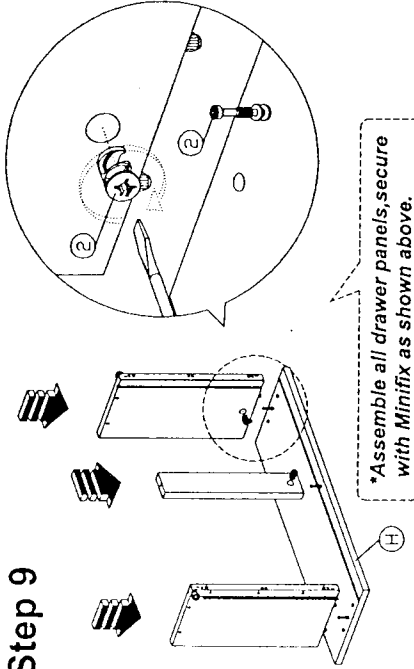
# Assembly Instruction

Step 8



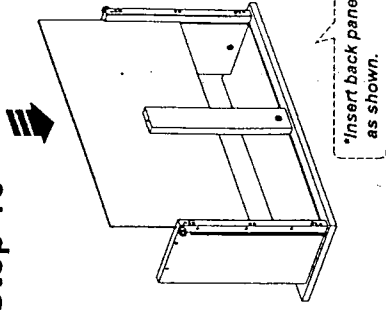
\*Secure Nail to back panel shown above.

Step 9



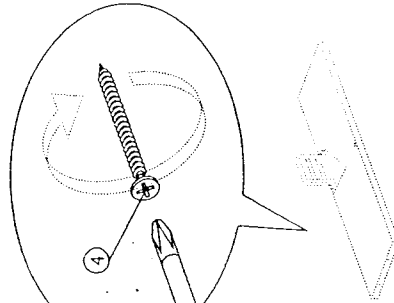
\*Assemble all drawer panels, secure with Minifix as shown above.

Step 10



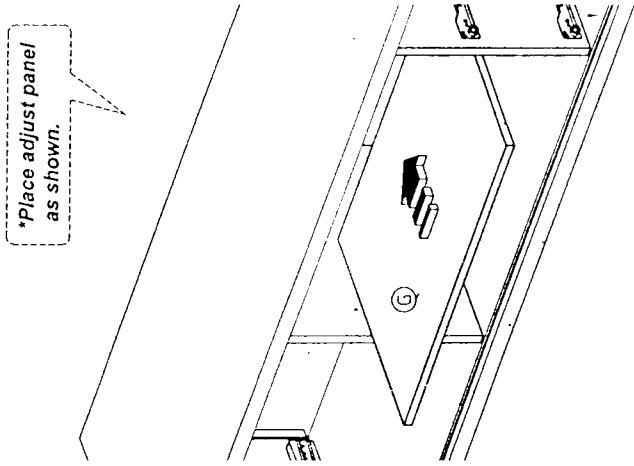
\*Insert back panel as shown.

Step 11



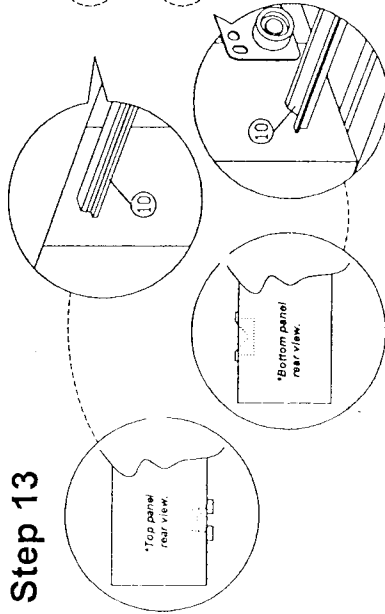
\*Assemble drawer back panel with screw as shown.

Step 12



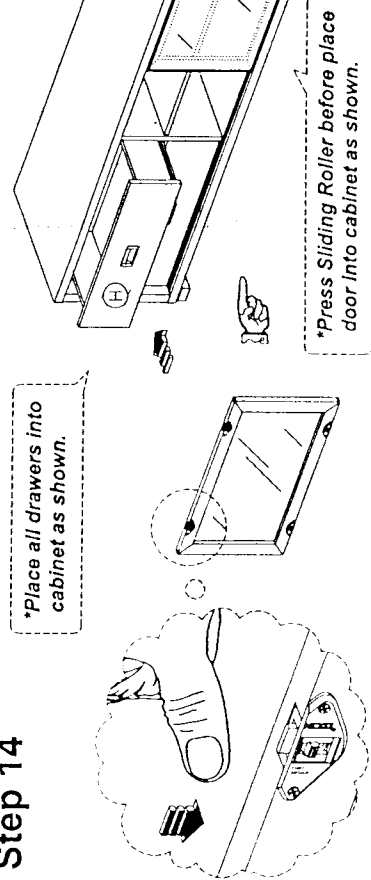
\*Place adjust panel as shown.

Step 13



\*Install PVC Lining Rail as shown.

Step 14



\*Place all drawers into cabinet as shown.

\*Press Sliding Roller before place door into cabinet as shown.