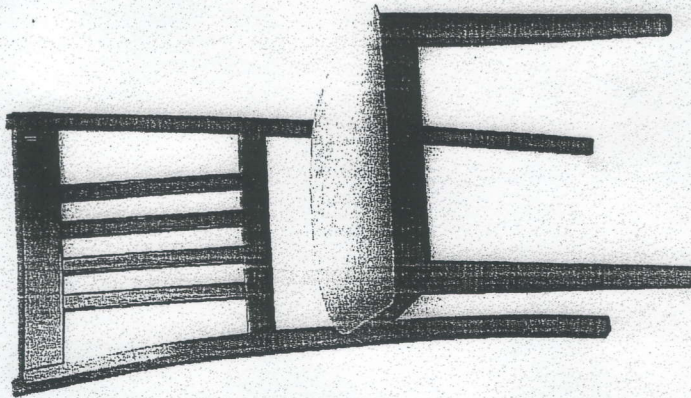


SHARON

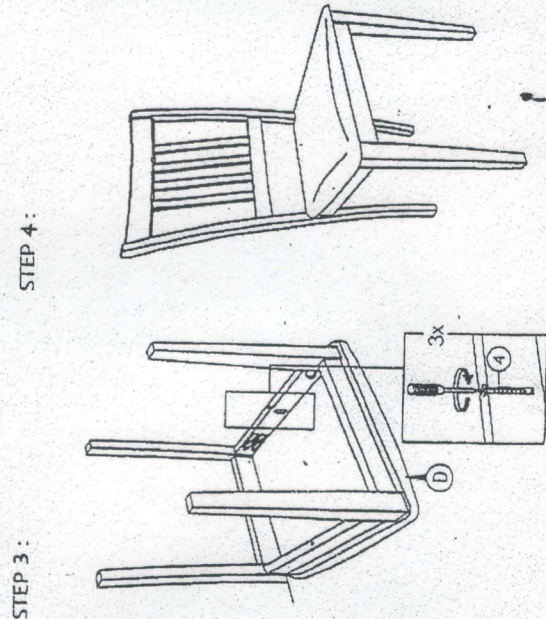
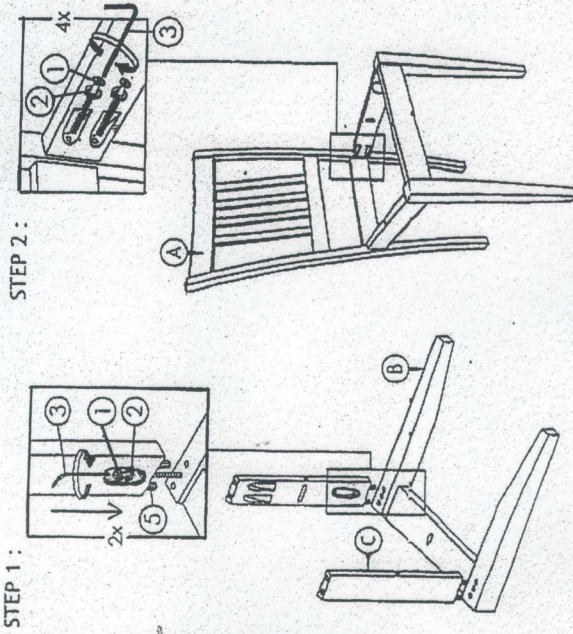


PRODUCT DESCRIPTION

Read instruction carefully. Remove all wrapping materi- staples and straps from the carton see hardware and furniture part list for guidance. Be sure you have all pai before you start assembling. Place all wooden furniture a clean and flat soft surface, such as carpet or to preve from scratched.

CAUTION:

KEEP ALL HARDWARE PART OUT OF REACH OF CHILDREN



ITEM	HARDWARE LIST	QT
1	ICBC SCREW M6 x 45MM	6 PC
2	SPRING WASHER 1/4"	6 PC
3	M4 ALLEN KEY (BALL SHAPE) LONG	1 PC
4	CSK CB SCREW M4 x 35MM	3 PC
5	WOOD DOWEL DIA 8 x 30MM	4 PC

ITEM	PART LIST	QT
A	BACK REST	1 PC
B	FRONT LEG	1 SE
C	SUPPORT BAR WRAP (L & R)	2 PC
D	CUSHION SEAT	1 PC