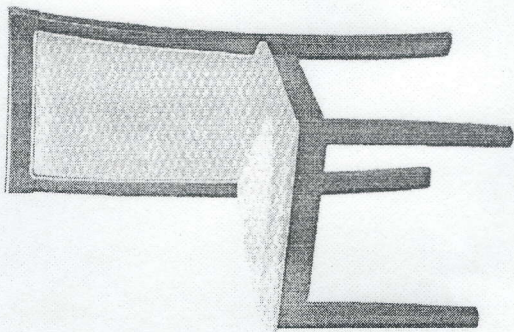


# JUDY

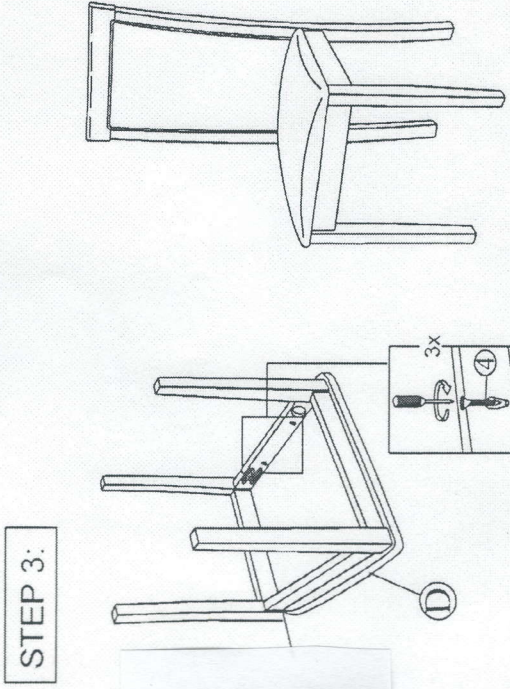
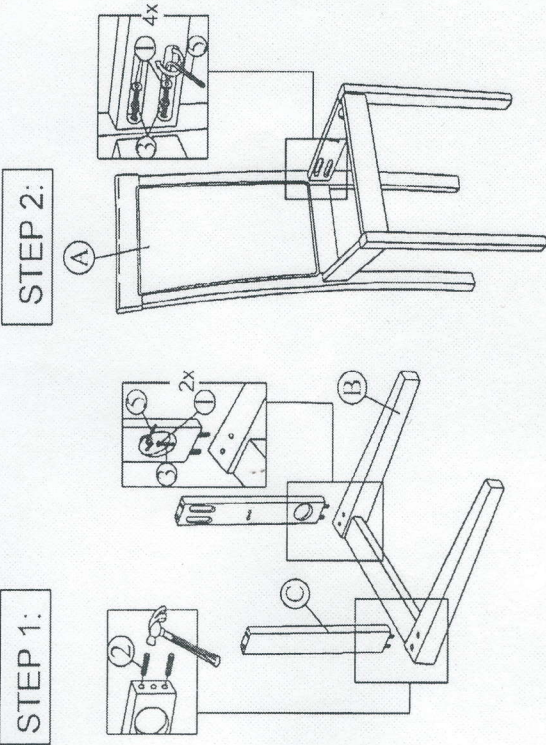


## PRODUCT DESCRIPTION

Read instruction carefully. Remove all wrapping materials and straps from the carton see hardware and furniture part list for guidance. Be sure you have all parts before start assembling. Place all wooden furniture part a clean flat soft surface, such as carpet or to prevent from scratches.

### CAUTION:

KEEP ALL HARDWARE PART OUT OF REACH OF CHILDREN.



### HARDWARE LIST

ITEM	DESCRIPTION	QTY
1	JCBC BOLT M6 X 50MM	6 PCS
2	WOOD DOWEL 8 X 30MM	4 PCS
3	SPRING WASHER 1/4	6 PCS
4	M4 X 32MM C/B SCREW	3 PCS
5	ALLEN KEY	1 PC

### PART LIST

ITEM	DESCRIPTION	QTY
A	BACK REST	1 PC
B	FRONT LEG	1 PC
C	SUPPORT BAR WRAP	2 PCS
D	CUSHION SEAT	1 PC