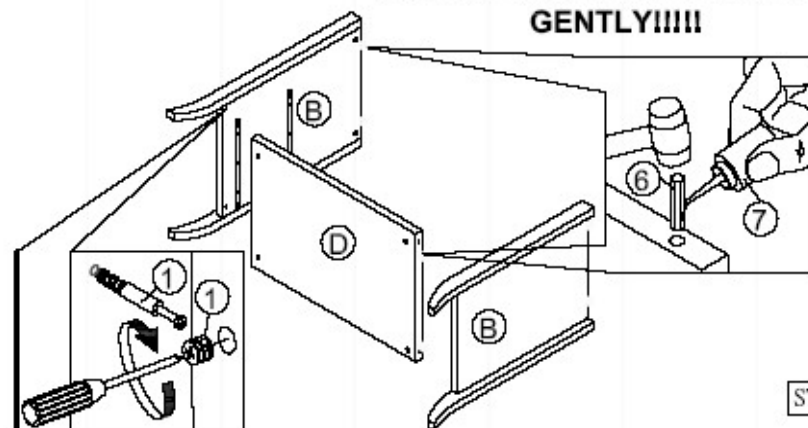


# BED SIDE TABLE

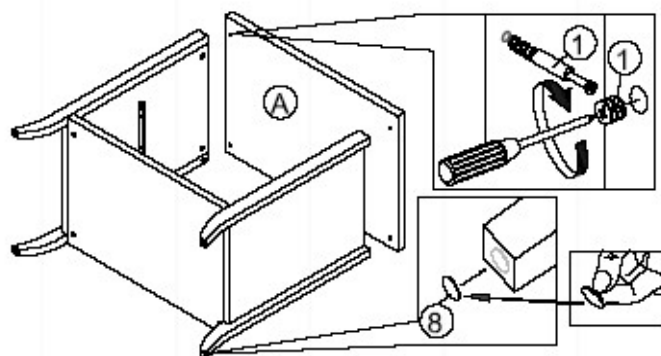


www.hinlim.com

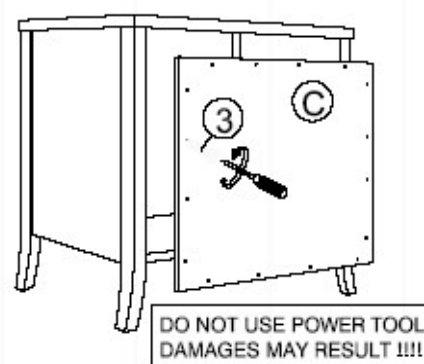
Glue apply to the Wood Dowel into the panel.  
**DO NOT APPLY TO THE HOLE ! GENTLY!!!!**



STEP 1

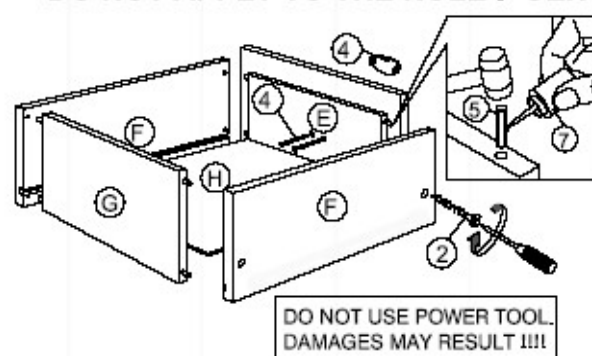


STEP 2



STEP 3

Glue apply to the Wood Dowel into the panel.  
**DO NOT APPLY TO THE HOLE ! GENTLY!!!!**



STEP 4

## PRODUCT DESCRIPTION

Read instruction carefully. Remove all wrapping material, staples and straps from the carton. See Hardware and Furniture Part List for guidance. Be sure you have all parts before you start assembling. Place all wooden furniture part a clean and flat soft surface, such as carpet or rug to prevent from being scratched.

## CAUTION :

**KEEP ALL HARDWARE PART OUT OF REACH OF CHILDREN.**

HARDWARE LIST			
ITEM	DESCRIPTION		QTY
1	MINI FIX		8PCS
2	WOOD SCREW 32MM (BLACK)		8PCS
3	WOOD SCREW 16MM		12PCS
4	HANDLE WITH SCREW		2SET
5	WOOD DOWEL Ø6 X 30MM		16PCS
6	WOOD DOWEL Ø8 X 30MM		8PCS
7	GLUE		1PC
8	LEG PROTECTIVE DISC 22MM		4PCS

PART LIST		
ITEM	DESCRIPTION	QTY
A	TOP PANEL	1PC
B	SIDE PANEL L & R	2PCS
C	BACK PANEL	1PC
D	BOTTOM PANEL	1PC
E	DRAWER FRONT PANEL	2PCS
F	DRAWER SIDE PANEL 2L & 2R	4PCS
G	DRAWER BACK PANEL	2PCS
H	DRAWER BOTTOM PANEL	2PCS

ISO 9001:2000  
Certificate No. 2502

