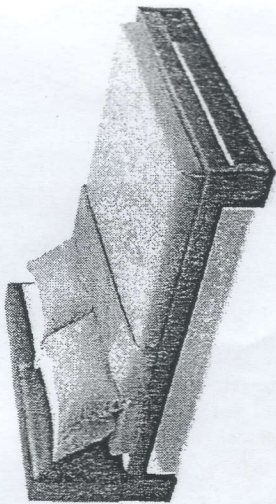
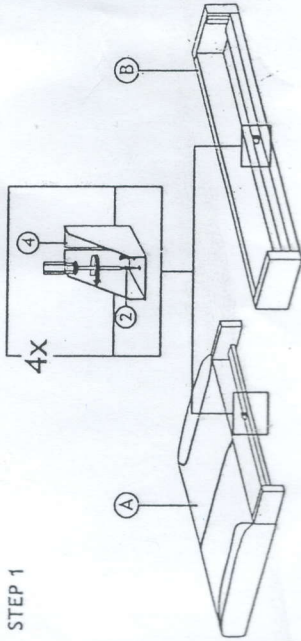


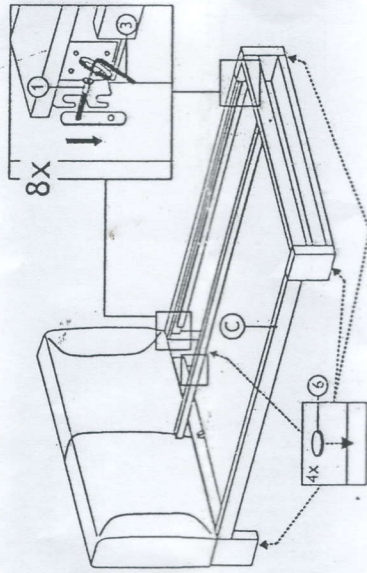
FELTON



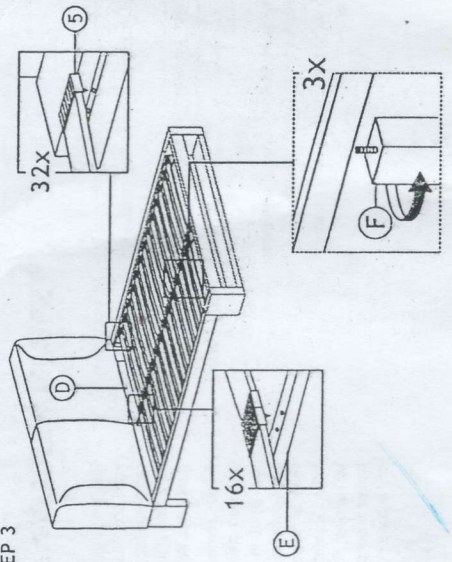
STEP 1



STEP 2



STEP 3



PRODUCT DESCRIPTION

Read instruction carefully. Remove all wrapping material staples and straps from the carton see hardware and furniture part list for guidance. Be sure you have all parts before you start assembling. Place all wooden furniture part a clean and flat soft surface, such as carpet or to prevent from scratched.

CAUTION:

KEEP ALL HARDWARE PART OUT OF REACH OF CHILDREN.

HARDWARE LIST		
ITEM	DESCRIPTION	QTY
1	JCBB SCREW M8 x 16MM	8 PCS
2	CSK 3.5MM x 16MM	4 PCS
3	ALLEN KEY M5	1 PC
4	L BRACKET	2 PCS
5	CAP	16 SETS
6	PROTECTIVE DISC	4 PCS

PART LIST		
ITEM	DESCRIPTION	QTY
A	HEADBOARD	1 PC
B	FOOTBOARD	1 PC
C	SIDE RAIL	2 PCS
D	SLAT VENEER	32 PCS
E	CENTRE-SUPPORT	1 PC
F	LEG SUPPORT	3 PCS



9001:2000  
Certificate No. 2502

HINLIM SINCE 1971

www.hinlim.com