

6 DRAWER DRESSER

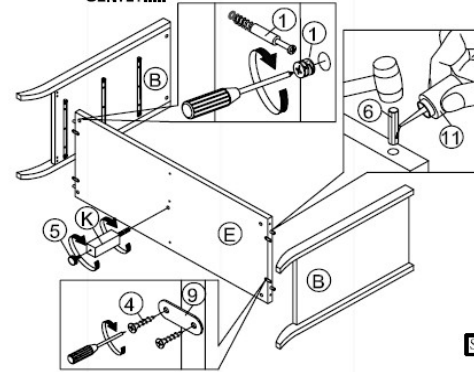


www.hinlim.com

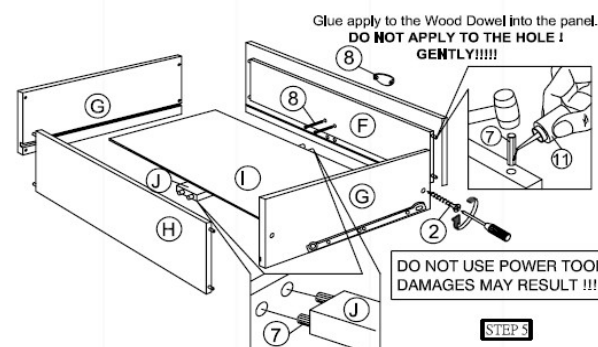
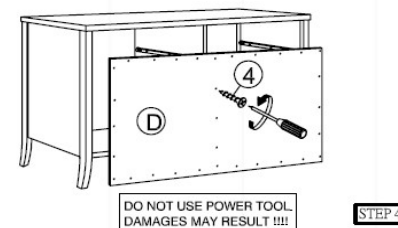
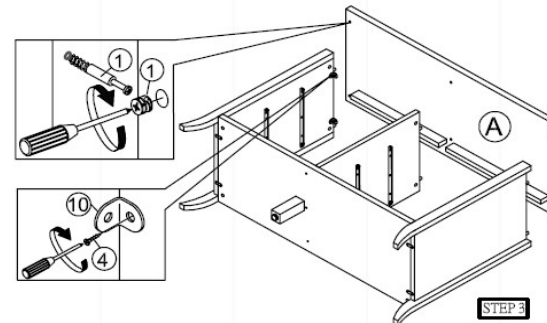
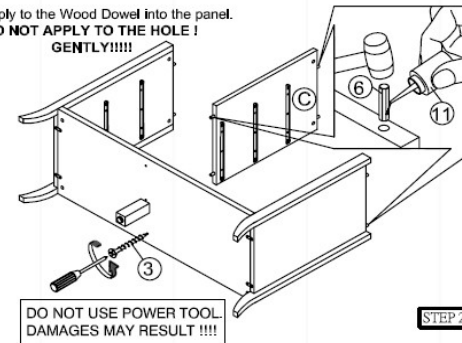
ISO 9001:2000
Certificate No. 2502



Glue apply to the Wood Dowel into the panel.
DO NOT APPLY TO THE HOLE!
GENTLY!!!!



Glue apply to the Wood Dowel into the panel.
DO NOT APPLY TO THE HOLE!
GENTLY!!!!



PRODUCT DESCRIPTION

Read instruction carefully. Remove all wrapping material, staples and straps from the carton. See Hardware and Furniture Part List for guidance. Be sure you have all parts before you start assembling. Place all wooden furniture part a clean and flat soft surface, such as carpet or rug to prevent from being scratched.

CAUTION :

KEEP ALL HARDWARE PART OUT OF REACH OF CHILDREN.

HARDWARE LIST			
ITEM	DESCRIPTION		QTY
1	MINI FIX		10PCS
2	WOOD SCREW 32mm (BLACK)		24PCS
3	WOOD SCREW 32mm		6PCS
4	WOOD SCREW 16mm		51PCS
5	ADJUSTER LEG		1PC
6	WOOD DOWEL Ø8 x 30mm		12PCS
7	WOOD DOWEL Ø6 x 30mm		72PCS
8	HANDLE WITH SCREW		6SETS
9	METAL PLATE		4PCS
10	L-BRACKET		4PCS
11	GLUE		1PC

PART LIST		
ITEM	DESCRIPTION	QTY
A	TOP PANEL	1PC
B	SIDE PANEL L & R	2PCS
C	CENTER PANEL	1PC
D	BACK PANEL	1PC
E	BOTTOM PANEL	1PC
F	DRAWER FRONT PANEL	6PCS
G	DRAWER SIDE PANEL 6L & 6R	12PCS
H	DRAWER BACK PANEL	6PCS
I	DRAWER BOTTOM PANEL	6PCS
J	DRAWER SUPPORT RAIL	6PCS
K	LEG 1PC	1PC