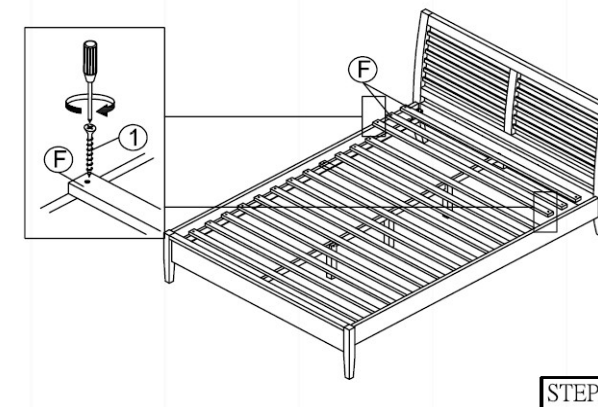
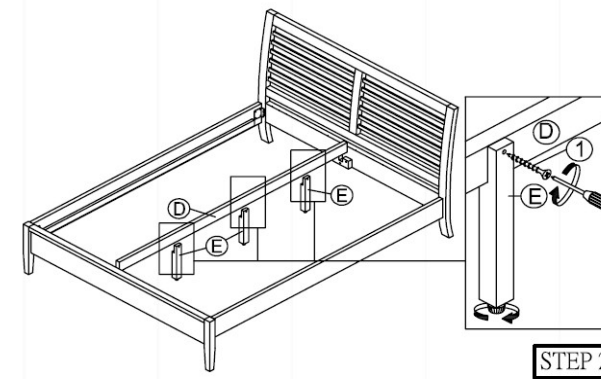
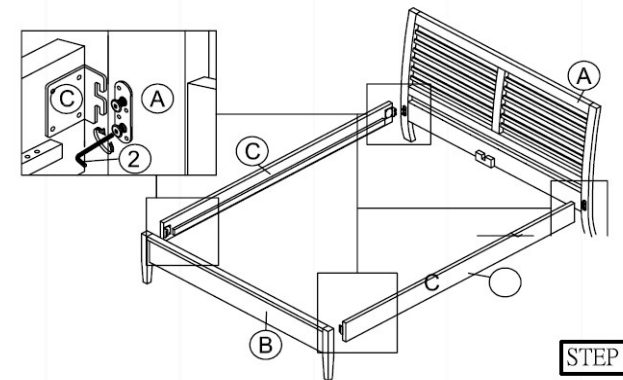


CARTER



PRODUCT DESCRIPTION

Read instruction carefully. Remove all wrapping material, staples and straps from the carton. See Hardware and Furniture Part List for guidance. Be sure you have all parts before you start assembling. Place all wooden furniture part a clean and flat soft surface, such as carpet or rug to prevent from being scratched.

CAUTION :

KEEP ALL HARDWARE PART OUT OF REACH OF CHILDREN.

HARDWARE LIST

ITEM	DESCRIPTION		QTY
1	FH SCREW #8 X 32mm		33PCS
2	ALLEN KEY M5		1PC
3	LEG PROTECTIVE DISC 22mm		4PCS

PART LIST

ITEM	DESCRIPTION	QTY
A	HEAD BOARD	1PC
B	FOOT BOARD	1PC
C	SIDE RAIL	2PCS
D	CENTER RAIL	1PC
E	CENTER SUPPORT LEG	3PCS
F	BED SLAT	15PCS



www.hinlim.com

ISO 9001:2000
Certificate No. 2502

