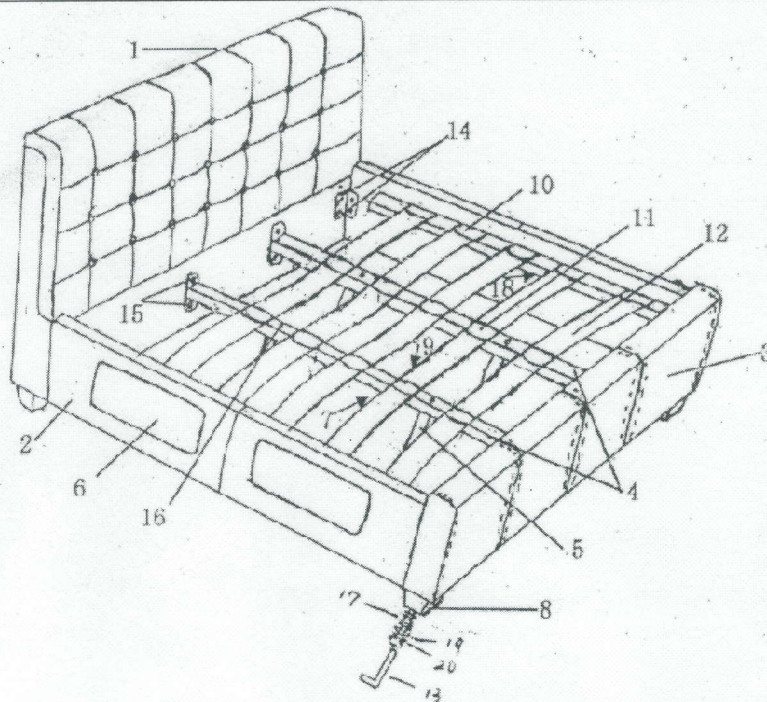


ASSEMBLY INSTRUCTION

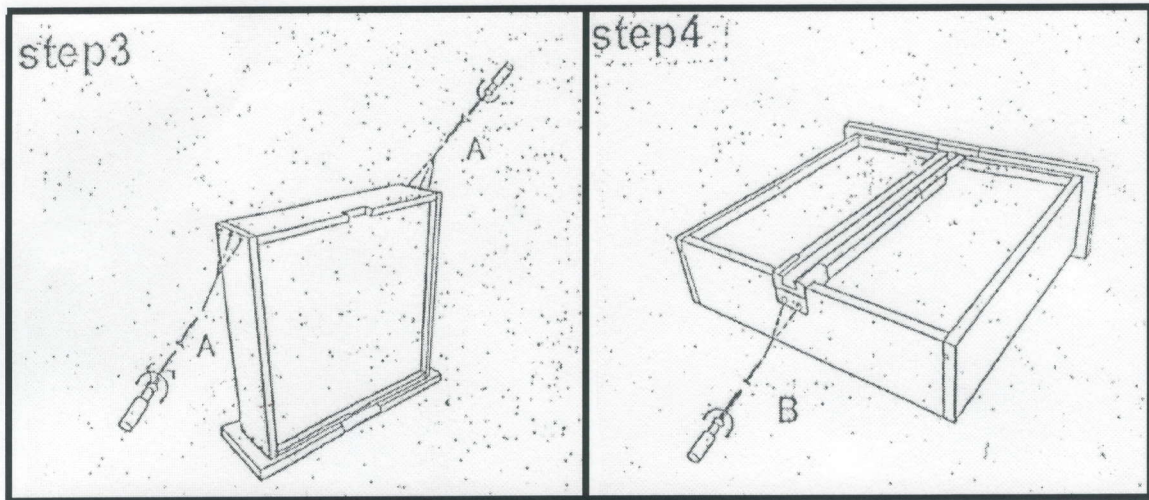
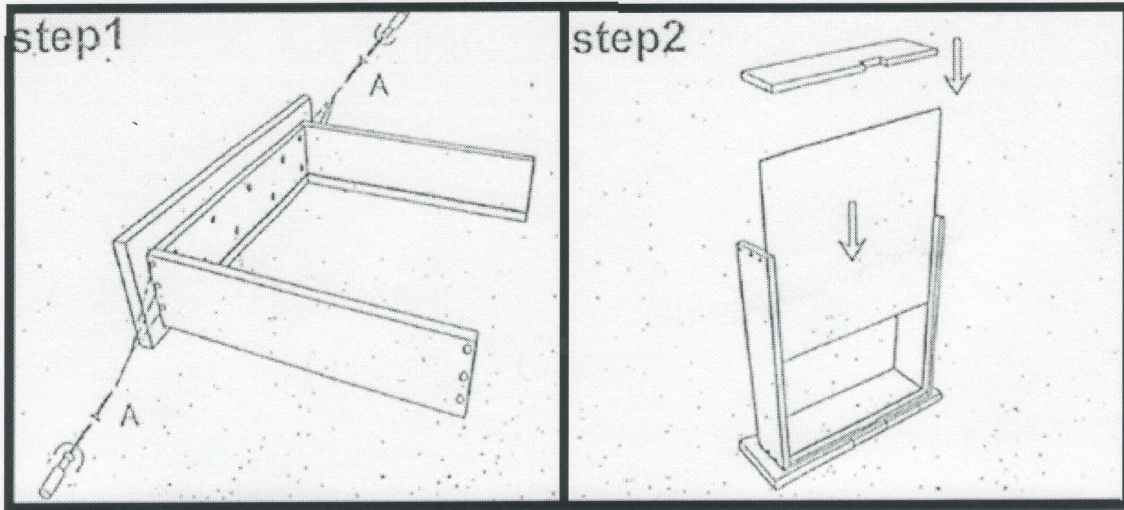
BEDXJ10-04-KING

NOTES: DO NOT TIGHTEN SCREWS UNTIL COMPLETELY ASSEMBLED

| | | |
|----|--------------------------|-------|
| 1 | HEAD BOARD | 1PC |
| 2 | SIDE RAIL | 2PCS |
| 3 | FOOT BOARD | 1PC |
| 4 | CENTRAL SUPPORT RAIL | 2PCS |
| 5 | SUPPORT LEGS | 4PCS |
| 6 | DRAWER | 4PCS |
| 7 | SUPPORT BAR | 2PCS |
| 8 | WOODEN FOOT | 4PCS |
| 9 | WOODEN FOOT | 2PCS |
| 10 | END CAP | 30PCS |
| 11 | CENTER PLASTIC CONNECTOR | 30PCS |
| 12 | BED SLATS | 45PCS |
| 13 | SPANNER (5/16) | 1PC |
| 14 | SCREW (5/16" X 3/4") | 8PCS |
| 15 | SCREW (5/16X1-1/4") | 8PCS |
| 16 | SCREW (5/16X1 - 3/4") | 4PCS |
| 17 | SCREW (5/16X 3") | 4PCS |
| 18 | SCREW (8*1-1/2") | 4PCS |
| 19 | WASHER (15mm) | 16PCS |
| 20 | SPRING WASHER | 16PCS |


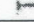




6 DRAWER ASSEMBLY



final

The final assembled 6-drawer unit is shown, consisting of a main cabinet frame and six individual drawers, each with a wood gliding slide.

| HARDWARE LIST: | | | |
|----------------|---|-------|--------------------|
| NO | DRAWING | QTY | DESCPRITION |
| A |  | 48PCS | SCREW #8 * 1" |
| B |  | 8PCS | SCREW #6 * 3/8" |
| C |  | 4PCS | METAL BRACKET |
| D |  | 4PCS | WOOD GLIDING SLIDE |