

Read this instruction carefully. See hardware and furniture part list for guidance. Be sure all parts are complete, before you assemble. Place all wooden furniture parts on a clean and flat soft surface to prevent from being scratched. Follow the figure to start assembling.

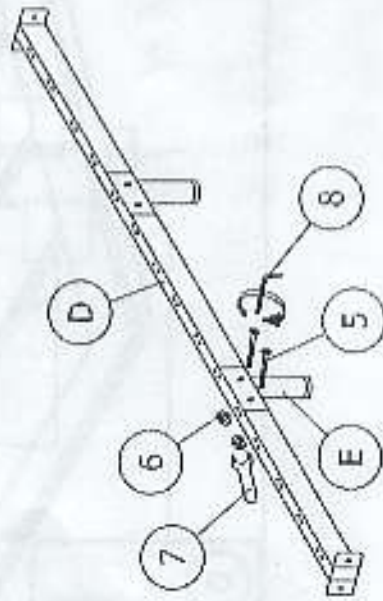
- CAUTIONS :**
1. Do not FULLY - TIGHTEN the nut or bolt until all nut or bolt is ready assembled.
 2. Do not OVER - TIGHTEN the nut or bolt to avoid causing damages to the thread.
 3. Keep all hardware parts out of reach of children.

NOTE : THE LIST AND QUANTITY SHOWN ARE FOR 1 UNIT ASSEMBLY.

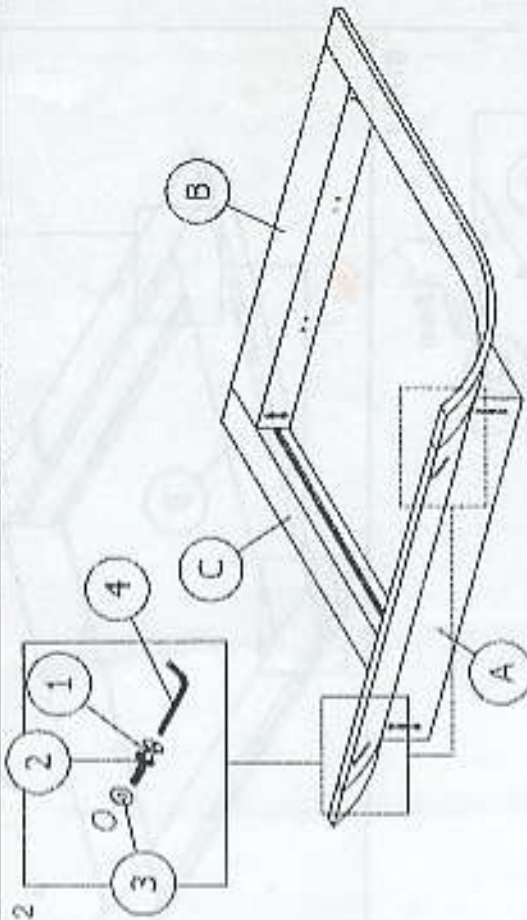
ITEM	DESCRIPTION	QTY
A	HEADBOARD	1 PC
B	FOOTBOARD	1 PC
C	SIDE RAIL	2 PCS
D	CENTER RAIL	2 PCS
E	CENTER SUPPORT LEG	4 PCS
F	BED SLAT	42PCS

ITEM	DESCRIPTION	QTY
1	1/2" X 3/4" PH. BOLT	12 PCS
2	1/2" X 1" SPRING WASHER	12 PCS
3	1/2" X 1" FLAT WASHER	12 PCS
4	1/4" ALLEN KEY	1 PC
5	1/4" X 3/4" BOLT PH. & NUT	8 PCS
6	1/4" X 1/2" NUT	8 PCS
7	SPANNER (12MM)	1 PC
8	M1 ALLEN KEY	1 PC
9	1/4" X 3/4" BOLT PH. & NUT	8 PCS
10	PH. SPRING WASHER	8 PCS
11	BED SLAT CENTER FITTER	28 PCS
12	BED SLAT CENTER FITTER	14 PCS

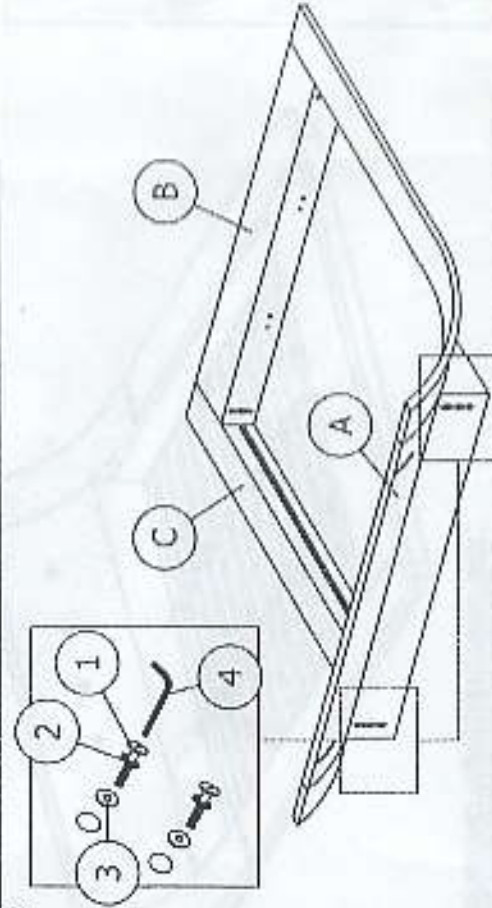
STEP 1



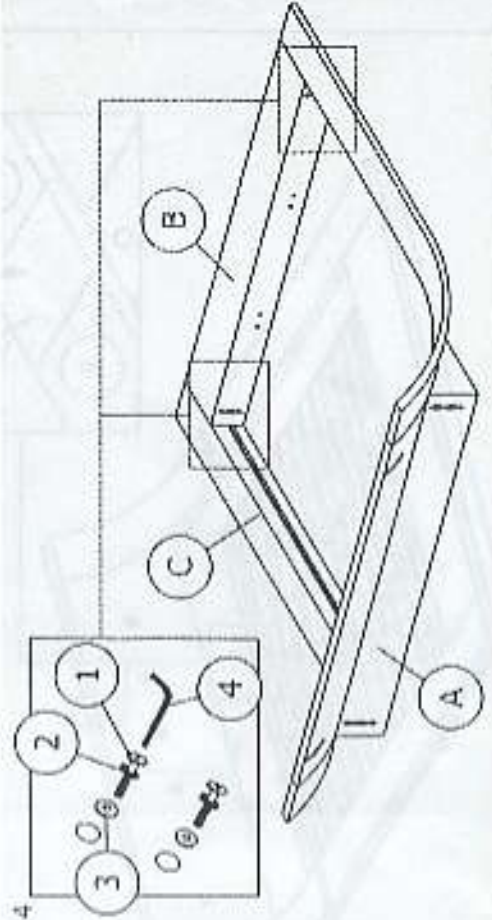
STEP 2



STEP 3

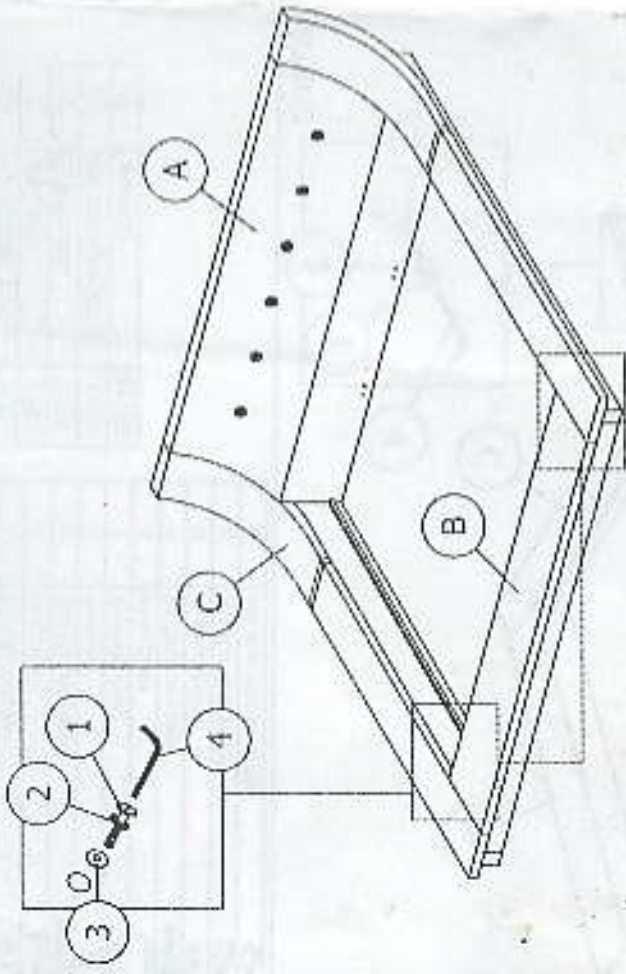


STEP 4

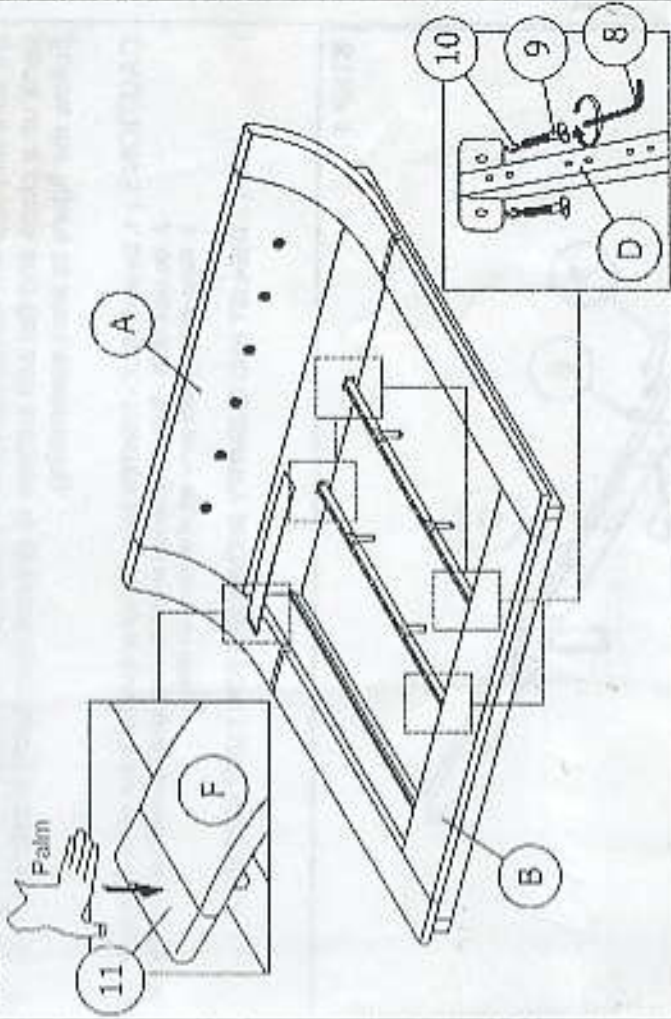


ASSEMBLY INSTRUCTIONS

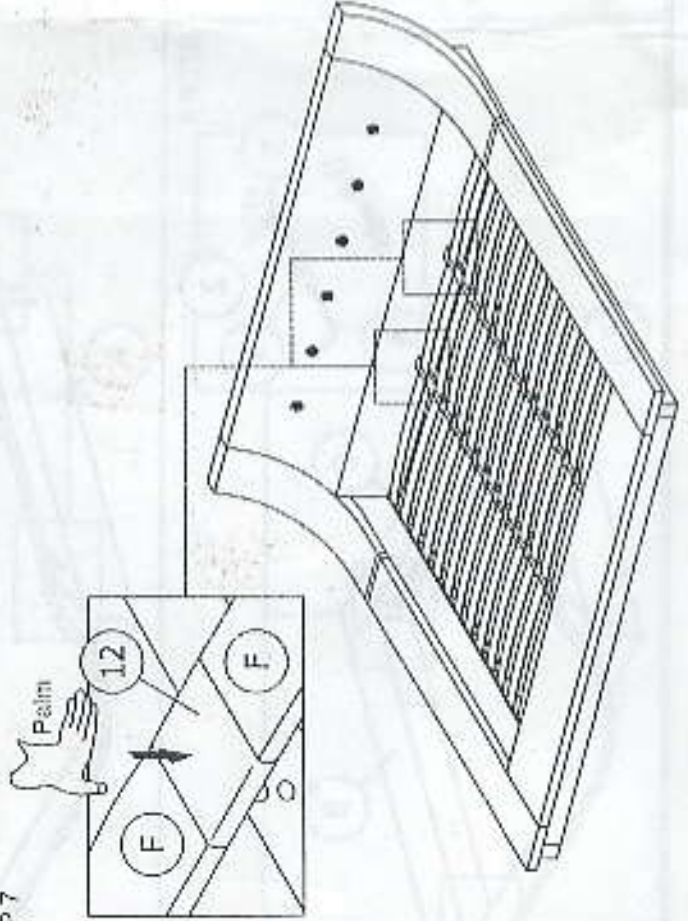
STEP 5



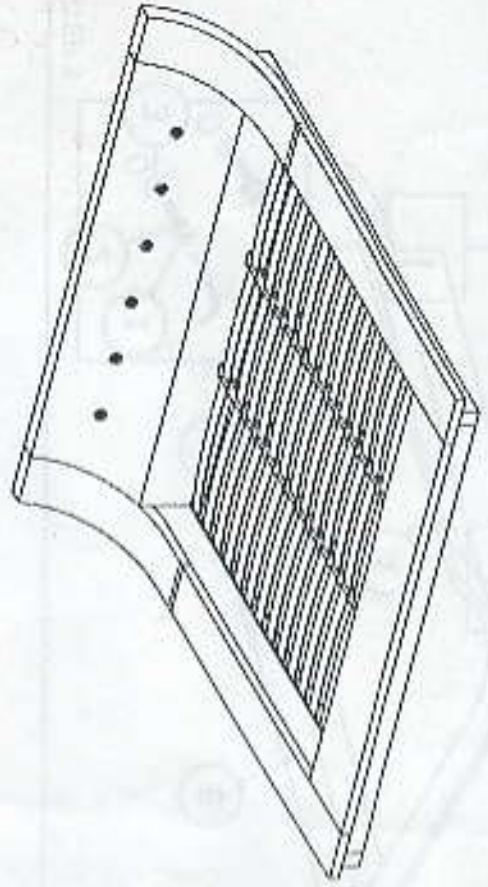
STEP 6



STEP 7



STEP 8



* When moving the bed section, the center support legs must be adjusted to be straight to avoid any broken wheels.