

ASSEMBLY INSTRUCTIONS

MODEL : BBT6140 A1 5' BED

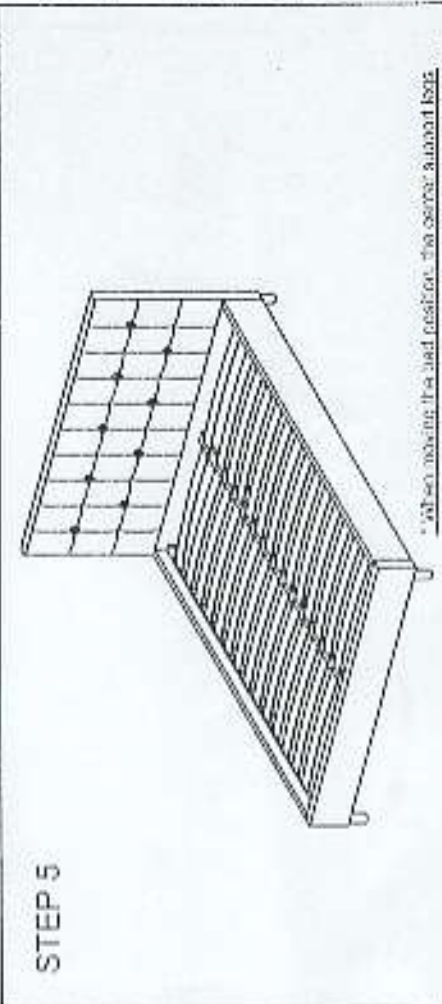
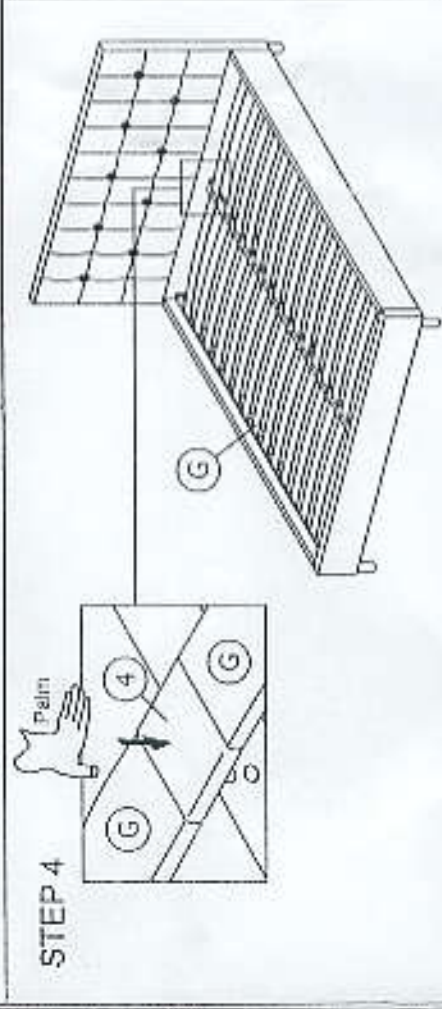
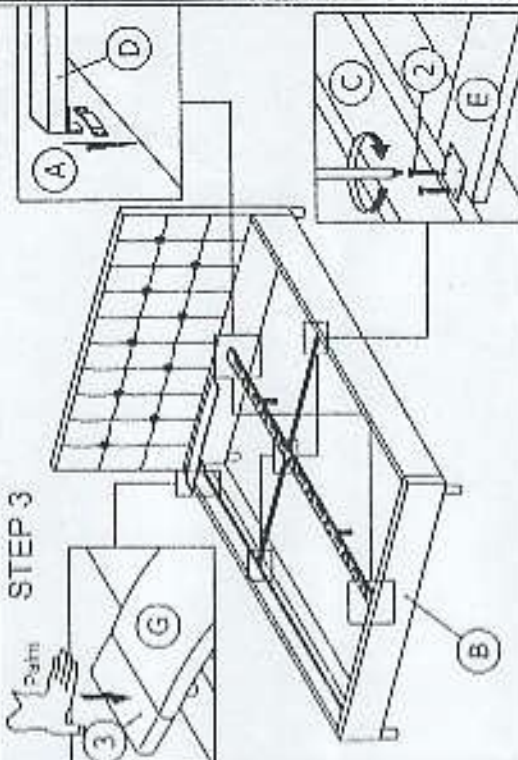
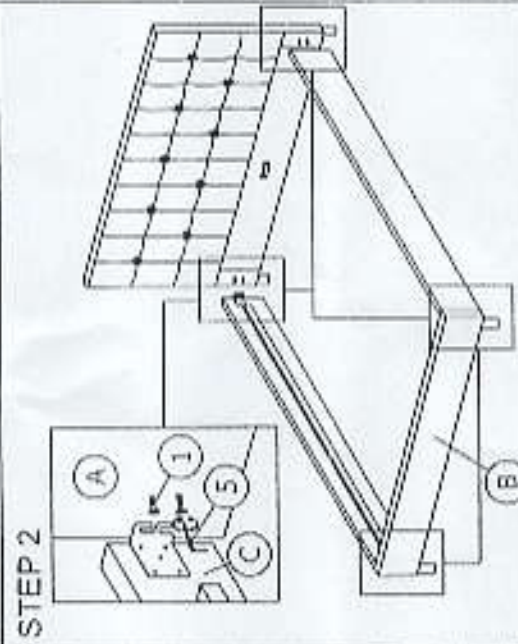
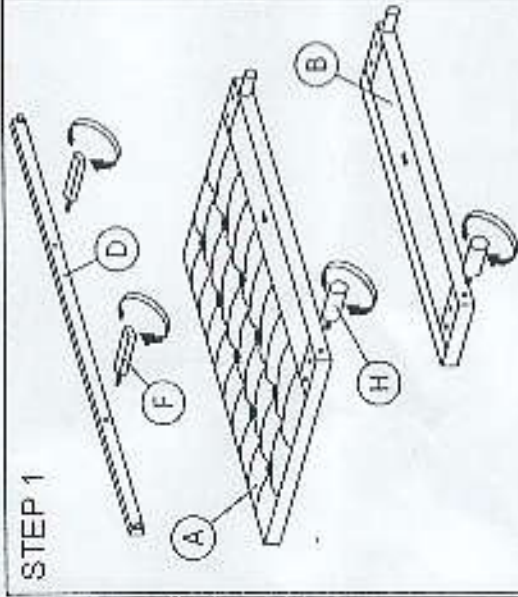
Read this instruction carefully. See hardware and furniture part list for guidance. Be sure all parts are complete, before you assemble. Place all wooden furniture parts on a clean and flat soft surface to prevent from being scratched. Follow the figure to start assembling.

- CAUTIONS :**
1. Do not FULLY - TIGHTEN the nut or nut bolt until all nut or bolt is nearly assembled.
 2. Do not OVER - TIGHTEN the nut or bolt to avoid causing damages to the thread.
 3. Keep all hardware parts out of reach of children.

NOTE : THE LIST AND QUANTITY SHOWN ARE FOR 1 UNIT ASSEMBLY.

PART LIST		QTY.
ITEM	DESCRIPTION	
A	HEADBOARD	1 PC
B	FOOTBOARD	1 PC
C	SIDE RAIL	2 PCS
D	CENTER RAIL	1 PC
E	CENTER SUPPORT	2 PCS
F	CENTER SUPPORT LEG	2 PCS
G	BED SLAT	26 PCS
H	BED LEG	4 PCS

PART LIST		QTY.
ITEM	DESCRIPTION	
1	JOUB BOLT M8 x 30mm	8 PCS
2	WOOD SCREW M3.5 x 15mm	8 PCS
3	BED SLAT SIDE FITTER	26 PCS
4	BED SLAT CENTER FITTER	13 PCS
5	M5 ALLEN KEY	1 PC



*When moving the bed position, the center support bolt must be adjust to avoid any broken spot etc.