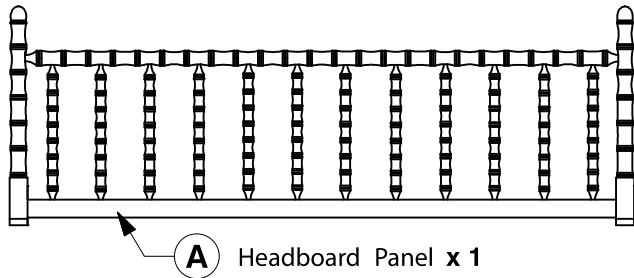


# 9822 King Headboard

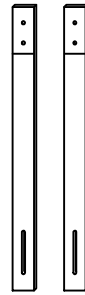
## Assembly Instructions

WI-1125

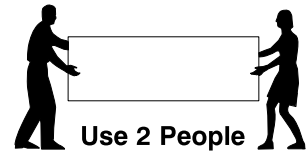
### 1 Parts List



**A** Headboard Panel x 1



**B**  
Support  
Bars x 2



**Note:** Do not assemble using power tools. This can cause the bolts to be overtightened

### 2 Hardware List



**1** M6 x 35mm JCB  
x 4



**2** M6 x 50mm JCB  
x 6



**3** Spring Washer  
x 10

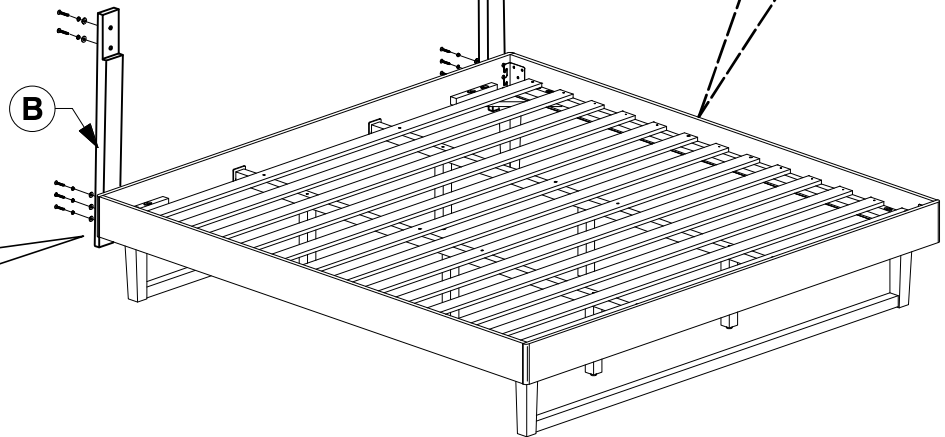
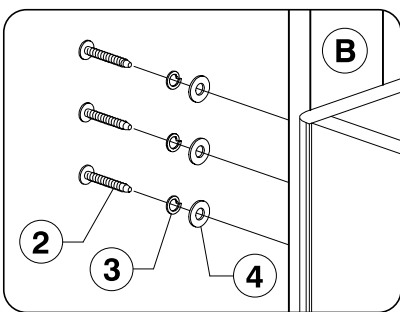


**4** Flat Washer  
x 10



**5** Allen Key  
x 1

### 3 Assemble the Support Bars (B) to the Headboard Panel.



### 4 Assemble the Headboard Panel (A) to the Support Bars (B).

