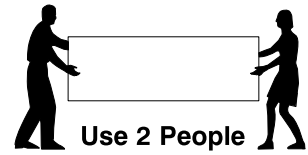
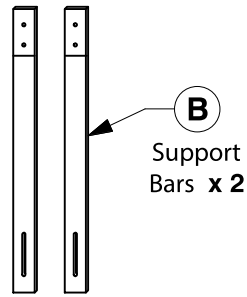
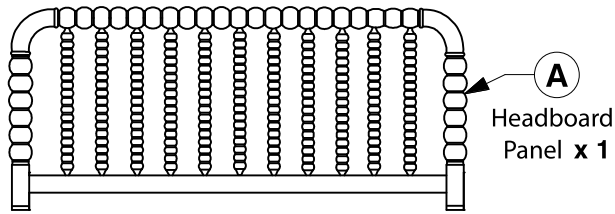


# 9820 Full Headboard

## Assembly Instructions

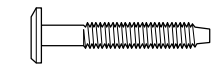
WI-1125

### 1 Parts List

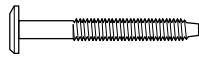


**Note:** Do not assemble using power tools. This can cause the bolts to be overtightened

### 2 Hardware List



**1** M6 x 35mm JCB x 4



**2** M6 x 50mm JCB x 6



**3** Spring Washer x 10

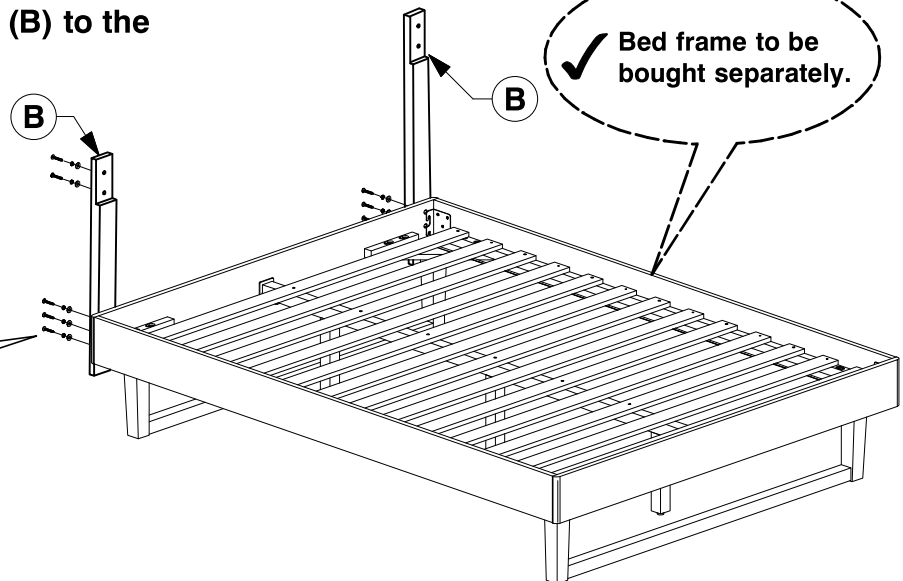
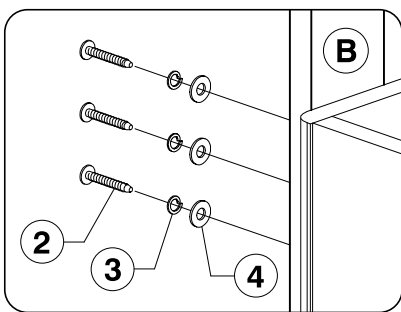


**4** Flat Washer x 10



**5** Allen Key x 1

### 3 Assemble the Support Bars (B) to the Headboard Panel.



### 4 Assemble the Headboard Panel (A) to the Support Bars (B).

