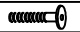





Read this instruction carefully. See hardware and furniture part list for guidance.  
 Be sure all parts are complete, before you assemble. Place all wooden furniture parts on a clean and flat soft surface to prevent from being scratched.  
 Follow the figure to start assembling.

PART LIST			
ITEM	DESCRIPTION	BOX	QTY
A	CHAIR	1	1 PC
B	LEG	1	4 PCS

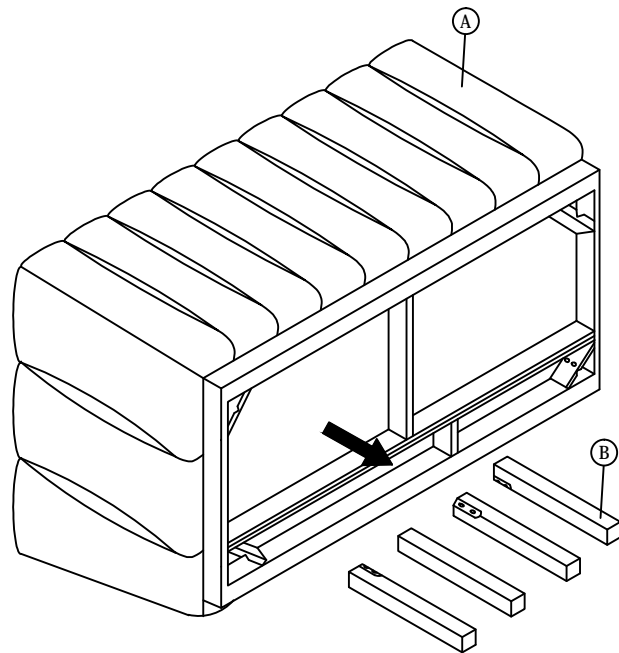
HARDWARE LIST (BOX :1)			
ITEM	DESCRIPTION		QTY
1	JCBB BOLT M8 x 50mm		8 PCS
2	M8 FLAT WASHER		8 PCS
3	M8 SPRING WASHER		8 PCS
4	M5 ALLEN KEY (BALL SHAPE)		1 PC

**CAUTION :** 1. Do not FULLY - TIGHTEN the nuts or nuts bolts until they are ready for assembly.  
 2. Do not OVER - TIGHTEN the nuts or bolts to avoid causing damages to the thread.  
 3. Keep all hardware parts out of reach of children.

**NOTE :** THE LIST AND QUANTITY SHOWN ARE FOR 1 UNIT ASSEMBLY.

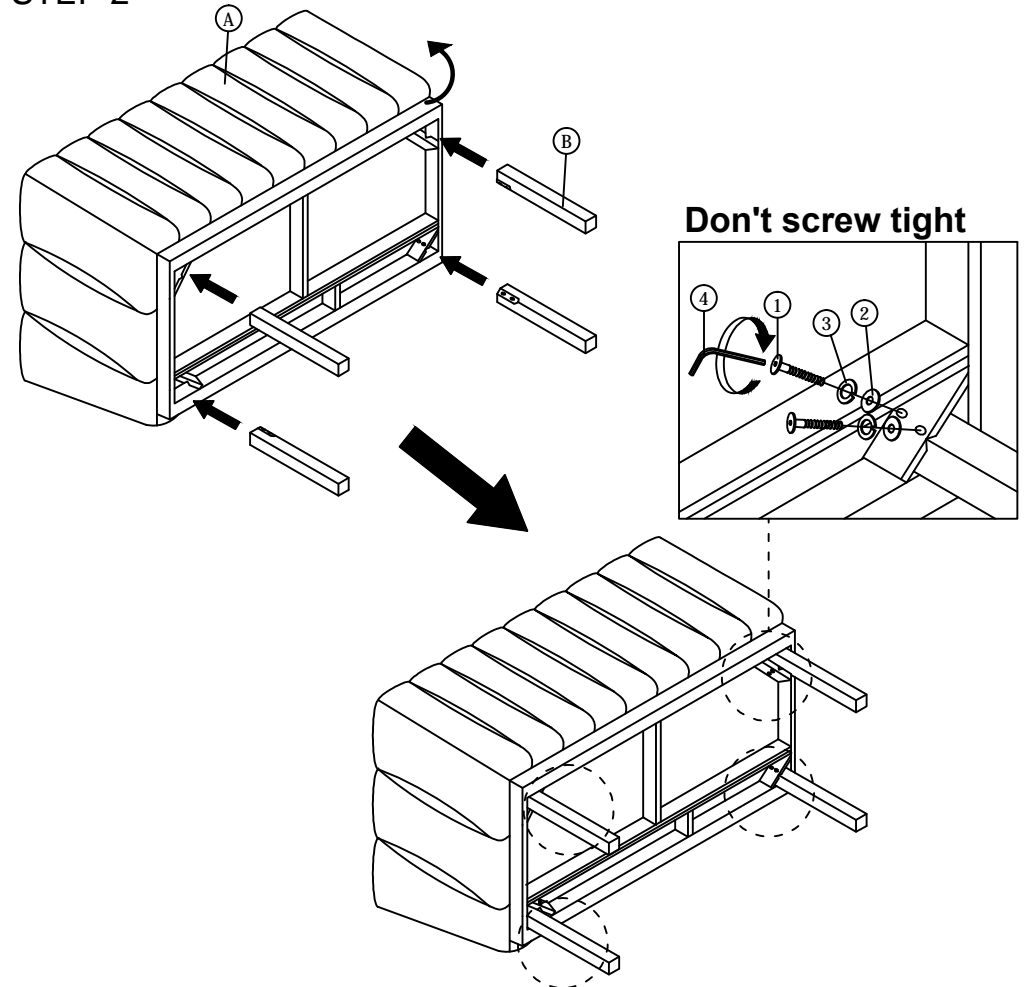
Tools needed : Screwdriver (not provided).

## STEP 1



## STEP 2

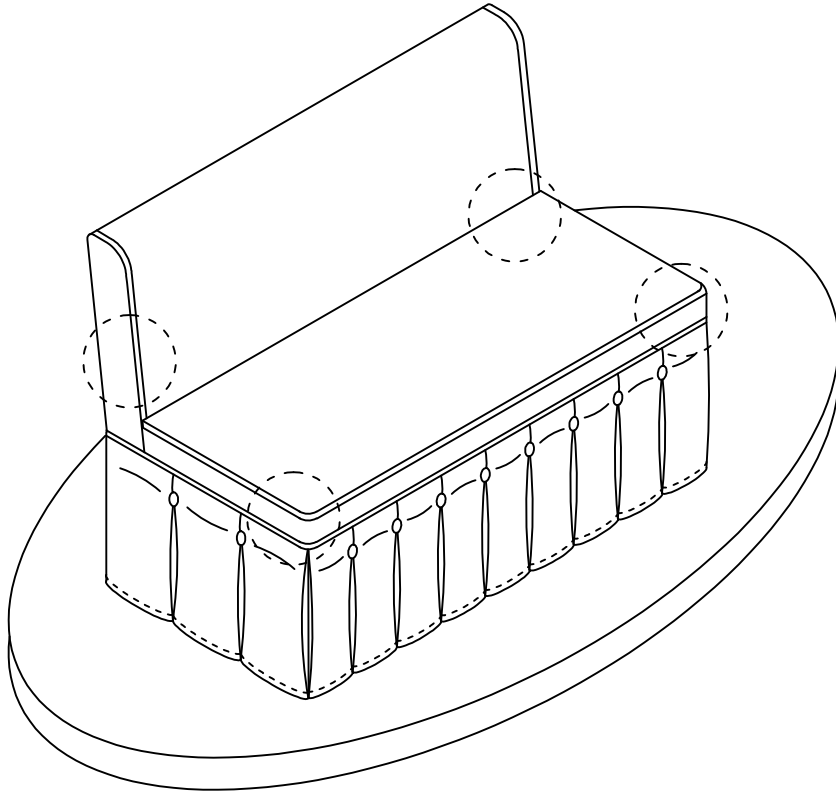
### BOTTOM VIEW



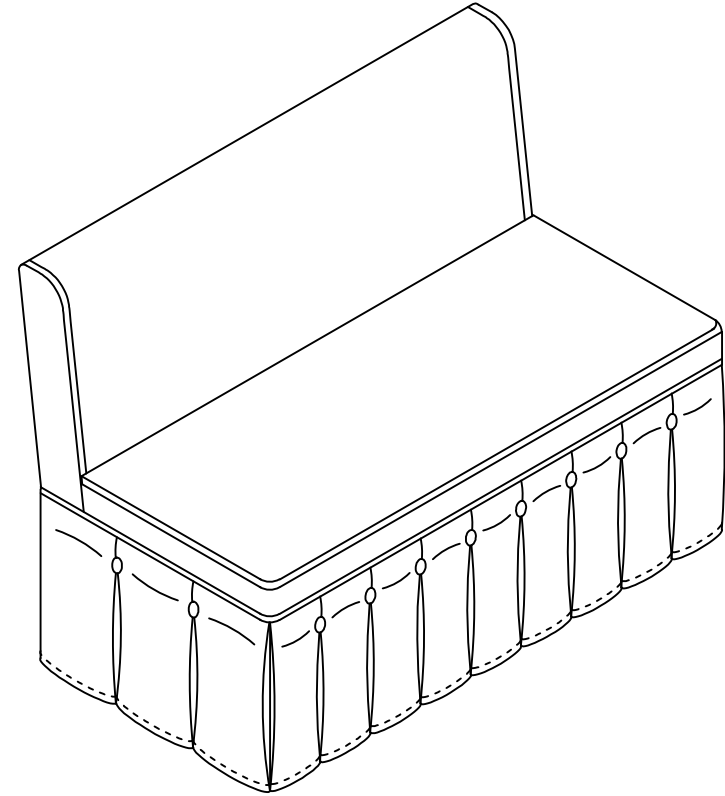
# ASSEMBLY INSTRUCTIONS

## STEP 3

Place the chair on the flat surface and adjust the alignment and balance of the legs then , Please screw tight the steps 1 bolts.

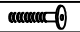





## STEP 4



Read this instruction carefully. See hardware and furniture part list for guidance. Be sure all parts are complete, before you assemble. Place all wooden furniture parts on a clean and flat soft surface to prevent from being scratched. Follow the figure to start assembling.

PART LIST			
ITEM	DESCRIPTION	BOX	QTY
A	CHAIR	1	1 PC
B	LEG	1	4 PCS

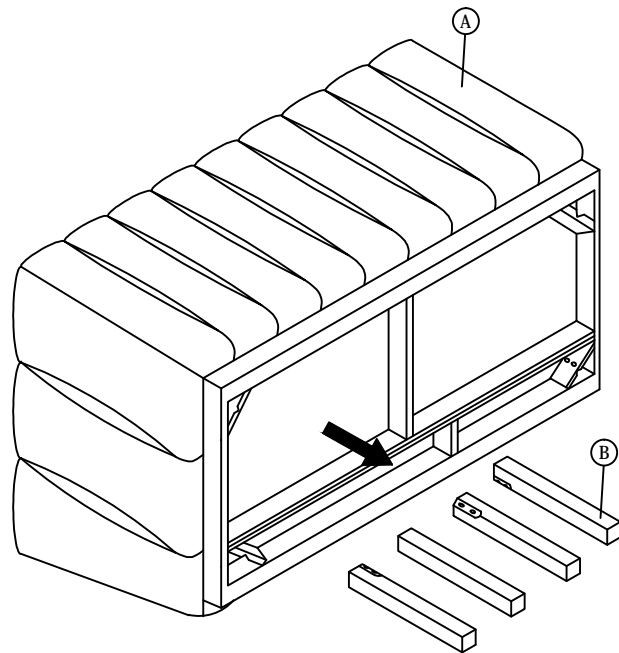
HARDWARE LIST (BOX :1)			
ITEM	DESCRIPTION		QTY
1	JCBB BOLT M8 x 50mm		8 PCS
2	M8 FLAT WASHER		8 PCS
3	M8 SPRING WASHER		8 PCS
4	M5 ALLEN KEY (BALL SHAPE)		1 PC

**CAUTION :** 1. Do not FULLY - TIGHTEN the nuts or nuts bolts until they are ready for assembly.  
 2. Do not OVER - TIGHTEN the nuts or bolts to avoid causing damages to the thread.  
 3. Keep all hardware parts out of reach of children.

**NOTE :** THE LIST AND QUANTITY SHOWN ARE FOR 1 UNIT ASSEMBLY.

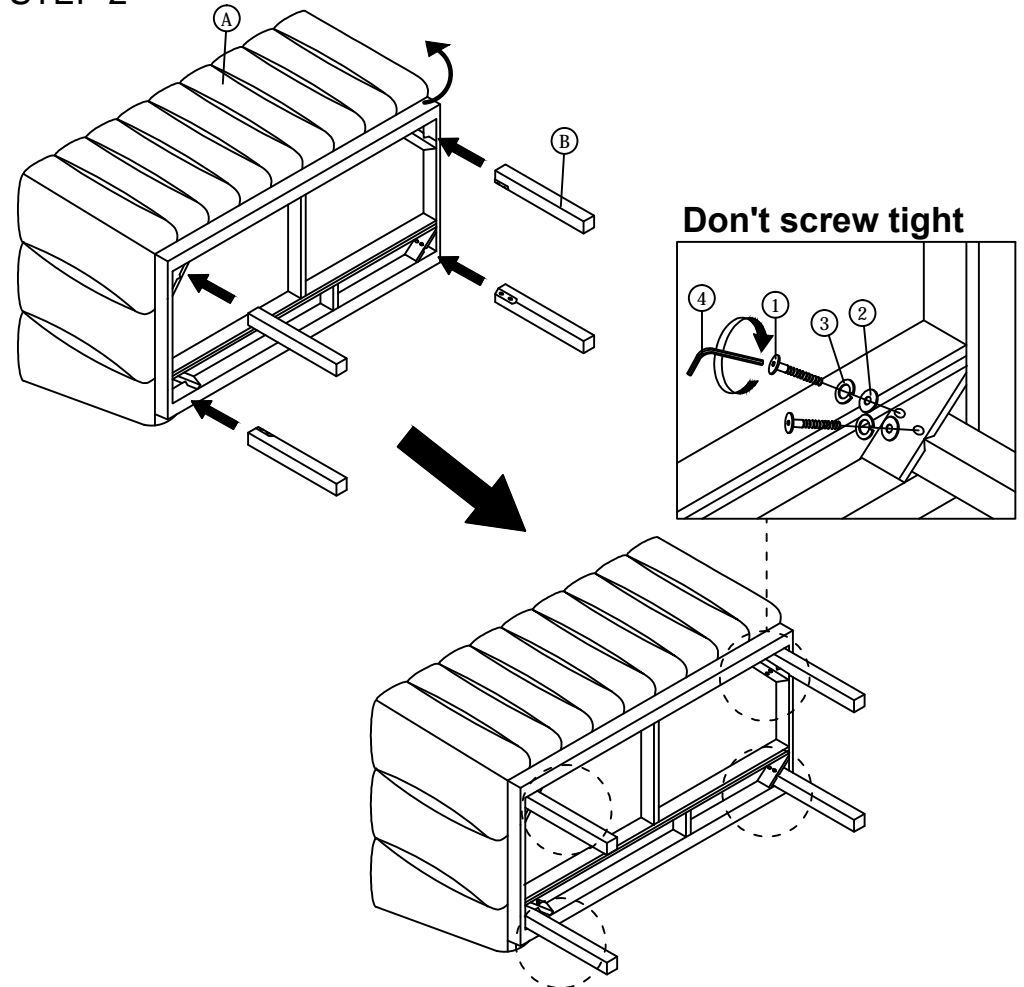
Tools needed : Screwdriver (not provided).

## STEP 1



## STEP 2

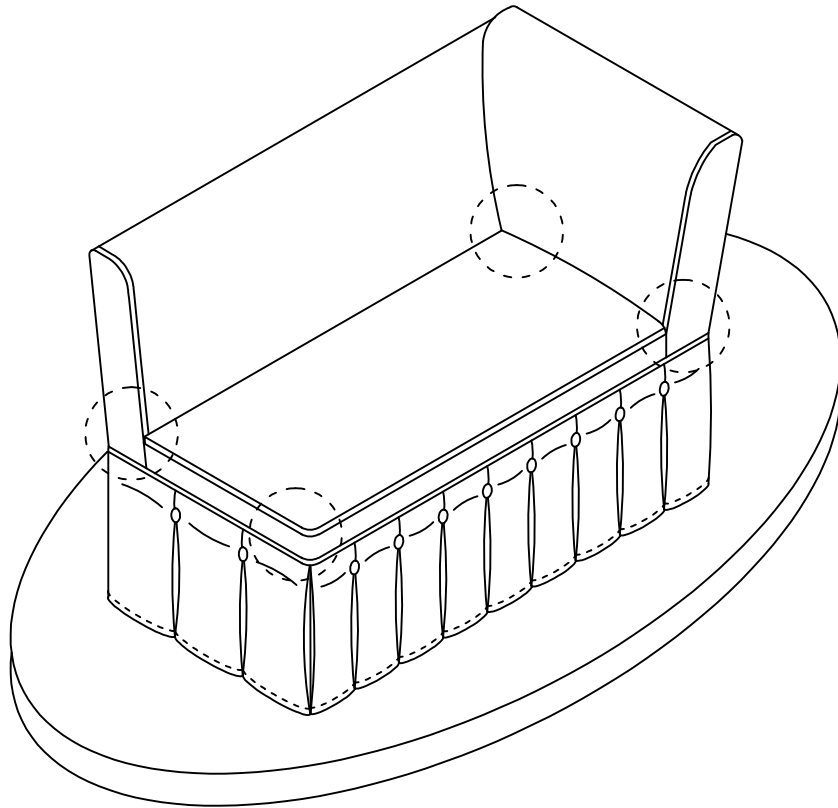
### BOTTOM VIEW



# ASSEMBLY INSTRUCTIONS

## STEP 3

Place the chair on the flat surface and adjust the alignment and balance of the legs then , Please screw tight the steps 1 bolts.



## STEP 4

