

Read this instruction carefully. See hardware and furniture part list for guidance. Be sure all parts are complete, before you assemble. Place all wooden furniture parts on a clean and flat soft surface to prevent from being scratched. Follow the figure to start assembling.

| PART LIST | | | |
|-----------|-------------|-----|-------|
| ITEM | DESCRIPTION | BOX | QTY |
| A | STORAGE BOX | 1 | 1 PC |
| B | LEG | 1 | 4 PCS |

| PART LIST (BOX : 1) | | |
|---------------------|-------------|-----|
| ITEM | DESCRIPTION | QTY |
| 1 | - | - |
| 2 | - | - |

CAUTIONS :

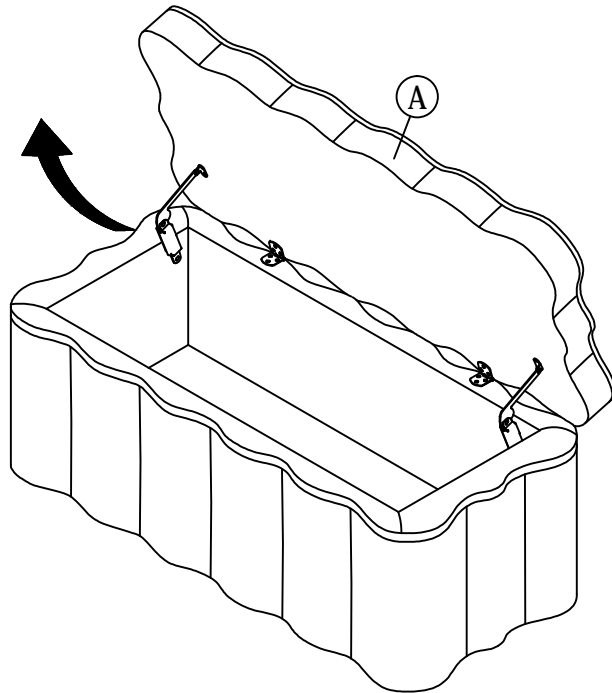
1. Do not FULLY - TIGHTEN the nut or nut bolt until all nut or bolt is ready assembled.
2. Do not OVER - TIGHTEN the nut or bolt to avoid causing damages to the thread.
3. Keep all hardware parts out of reach of children.

NOTE : THE LIST AND QUANTITY SHOWN ARE FOR 1 UNIT ASSEMBLY.

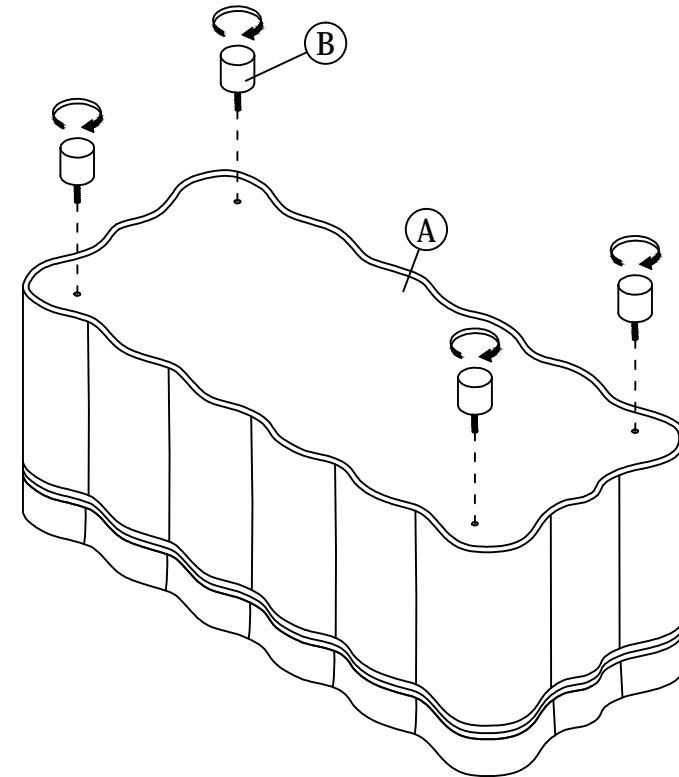
Tool needed : Screwdriver & Rubber Mallet (not provider).

STEP 1

1.1 Open the storage box cover. After that, take out the leg and hardware.



STEP 2



ASSEMBLY INSTRUCTIONS

STEP 3

