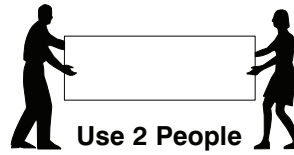
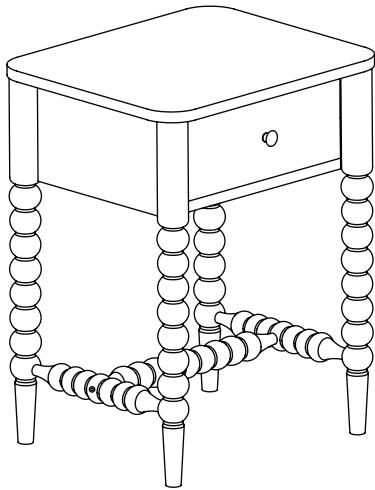


9025 1 Drawer Night Stand

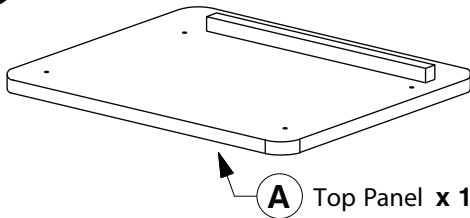
Assembly Instructions

WI-1025

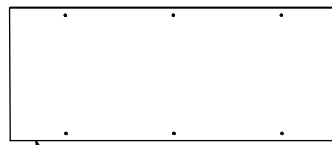


Note: Do not assemble using power tools. This can cause the bolts to be overtightened

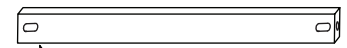
1 Parts List



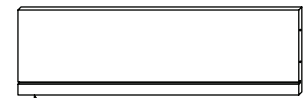
A Top Panel x 1



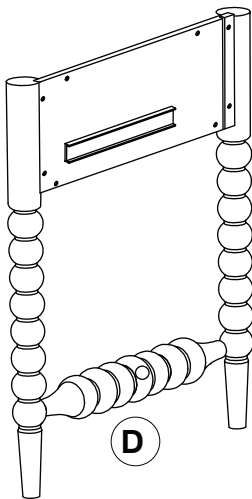
B Back Panel x 1



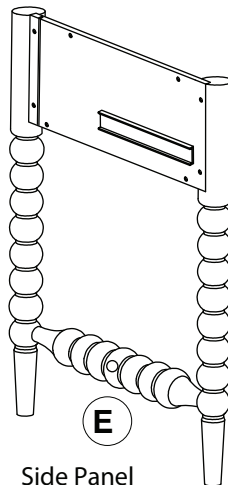
C Support Bar x 2



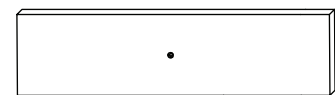
F Drawer Back x 1



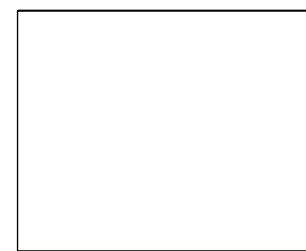
D Side Panel (Left Hand) x 1



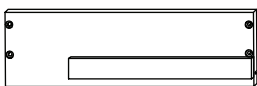
E Side Panel (Right Hand) x 1



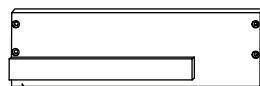
G Drawer Face x 1



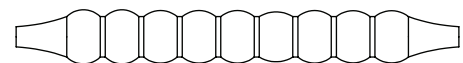
H Drawer Bottom x 1



J Drawer Side (Left Hand) x 1



K Drawer Side (Right Hand) x 1



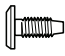


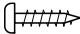
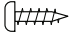
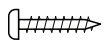
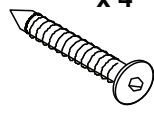



L Bottom Support Bar x 1

9025 1 Drawer Night Stand

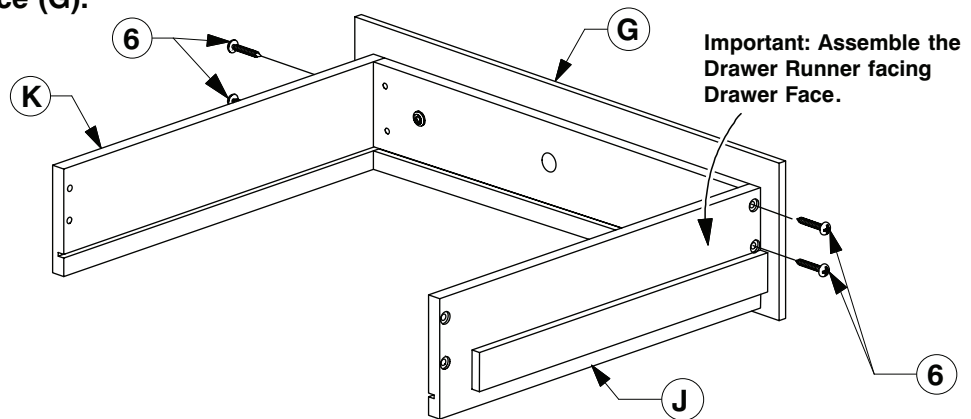
Assembly Instructions

WI-1025

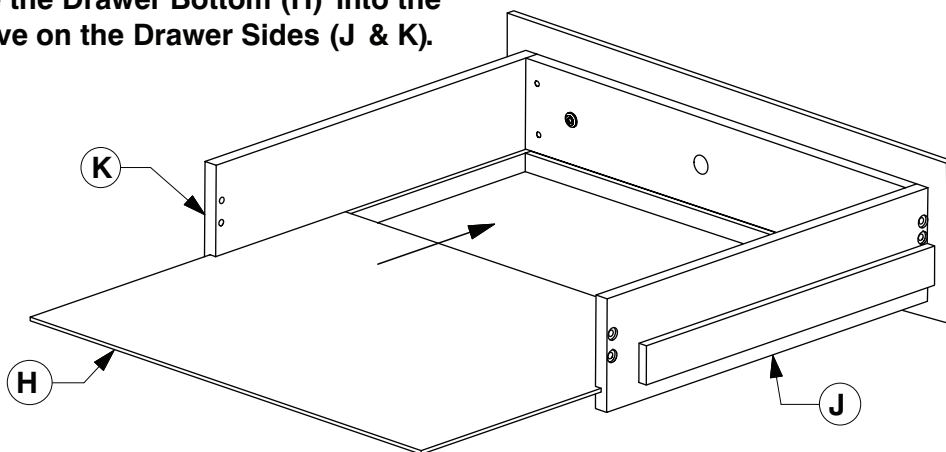
2 Hardware List

- | | | | | |
|--|--|--|--|--|
| 
① M6 x 15mm
JCB x 8 | 
② M6 x
30mm JCB
x 4 | 
③ 'L' Bracket
(5005-3) x 4 | 
④ M4 x 20mm
Wood Screw x 4 | 
⑤ M4 x 16mm
Wood Screw x 6 |
| 
⑥ M4 x 25mm
Wood Screw x 8 | 
⑦ M6 X50mm
JCBC W x 2 | 
⑧ Handle x 1 | 
⑨ M4 x 22mm
Wood Screw x 1 | 
⑩ Allen Key
x 1 |

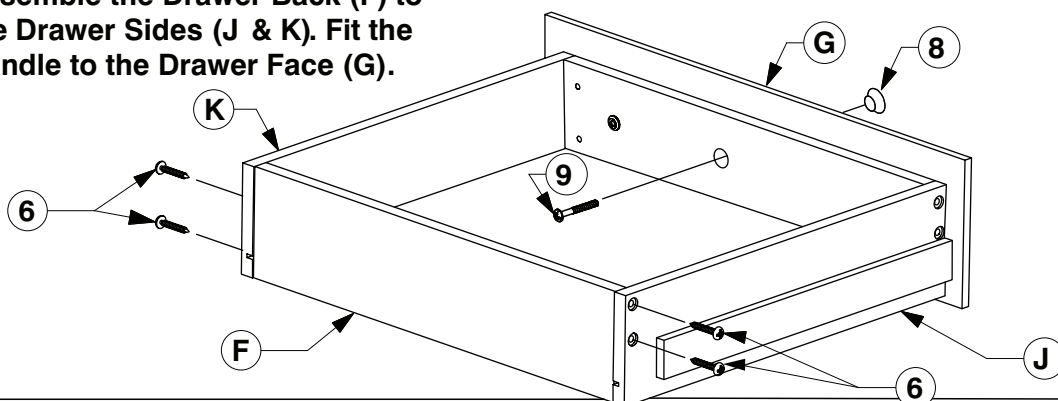
3 Assemble the Drawer Sides (J & K) to the Drawer Face (G).



4 Slide the Drawer Bottom (H) into the groove on the Drawer Sides (J & K).



5 Assemble the Drawer Back (F) to the Drawer Sides (J & K). Fit the Handle to the Drawer Face (G).

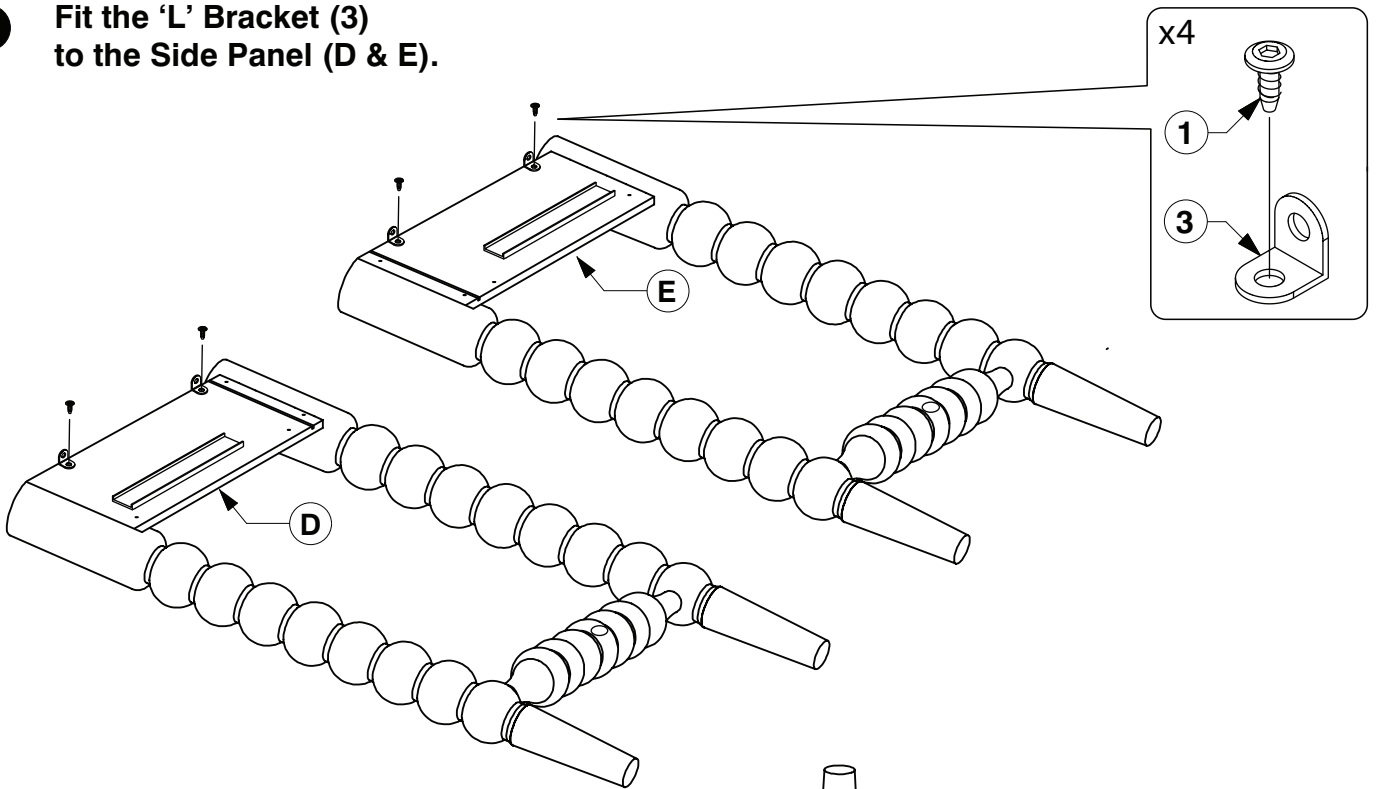


9025 1 Drawer Night Stand

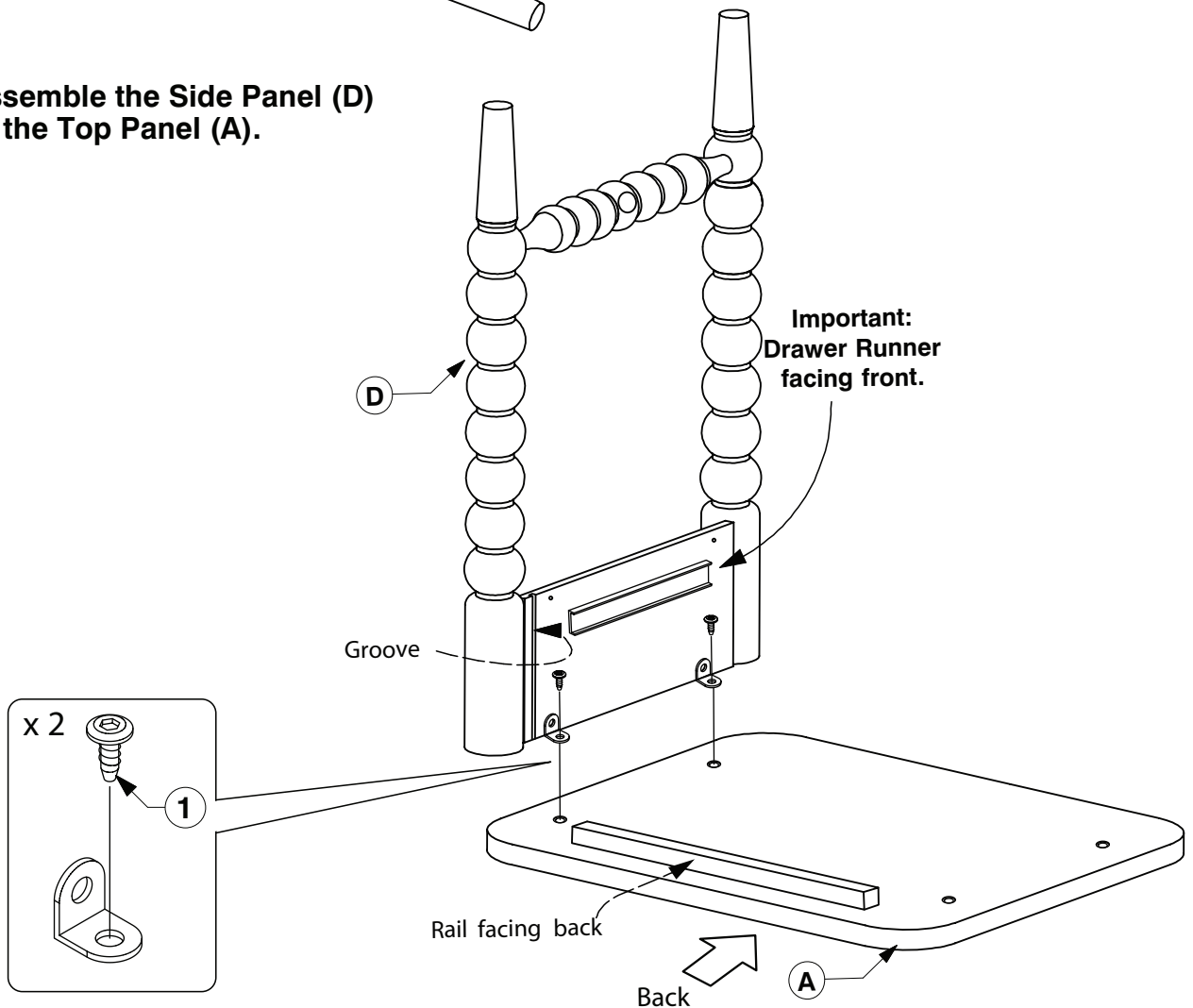
Assembly Instructions

WI-1025

- 6** Fit the 'L' Bracket (3) to the Side Panel (D & E).



- 7** Assemble the Side Panel (D) to the Top Panel (A).

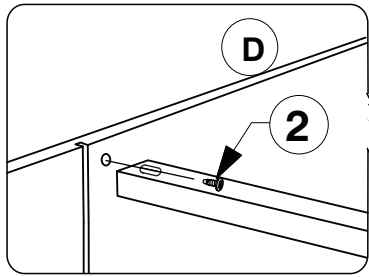


9025 1 Drawer Night Stand

Assembly Instructions

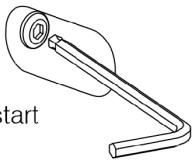
WI-1025

- 8** Fit the Bottom Support Bar (L) & Support Bar (C) to the Side Panel (D).



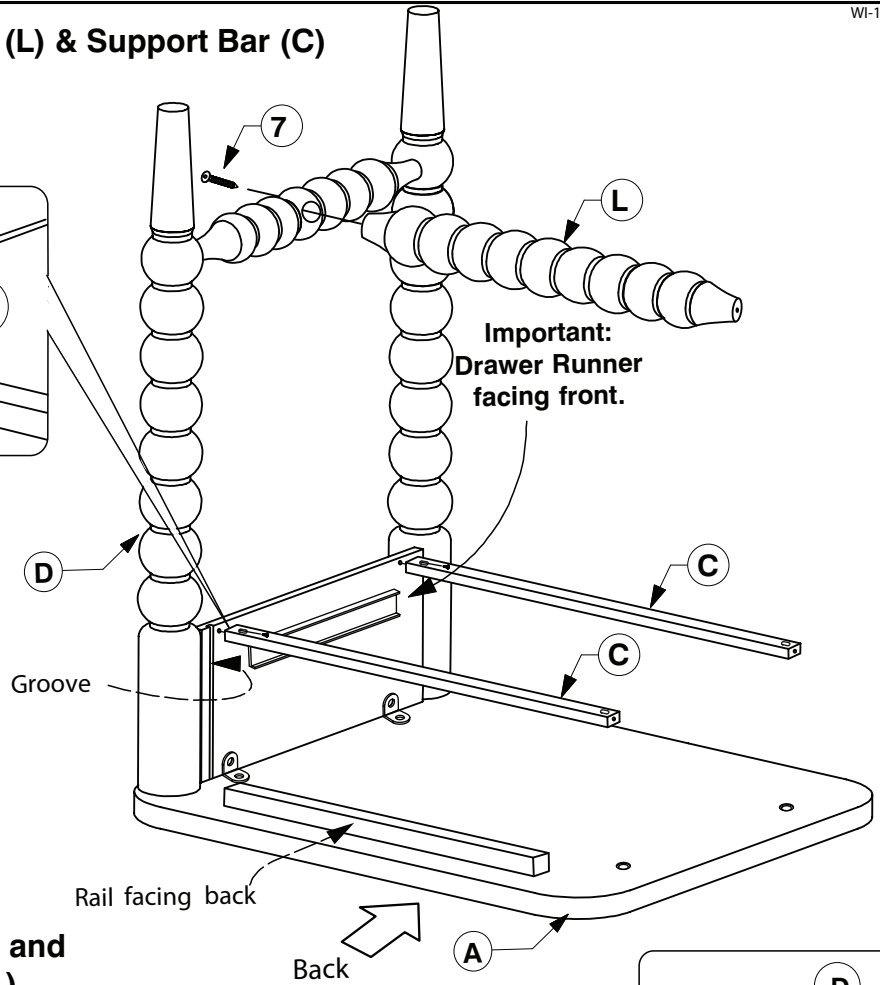
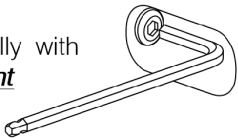
Step 1

Use the **ball end** of Allen key to start the bolt.



Step 2

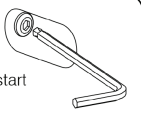
Tighten fully with the **straight end**.



- 9** Assemble the Side Panel (E) and to the Bottom Support Bar (L) and Support Bar (C) Top Panel (A).

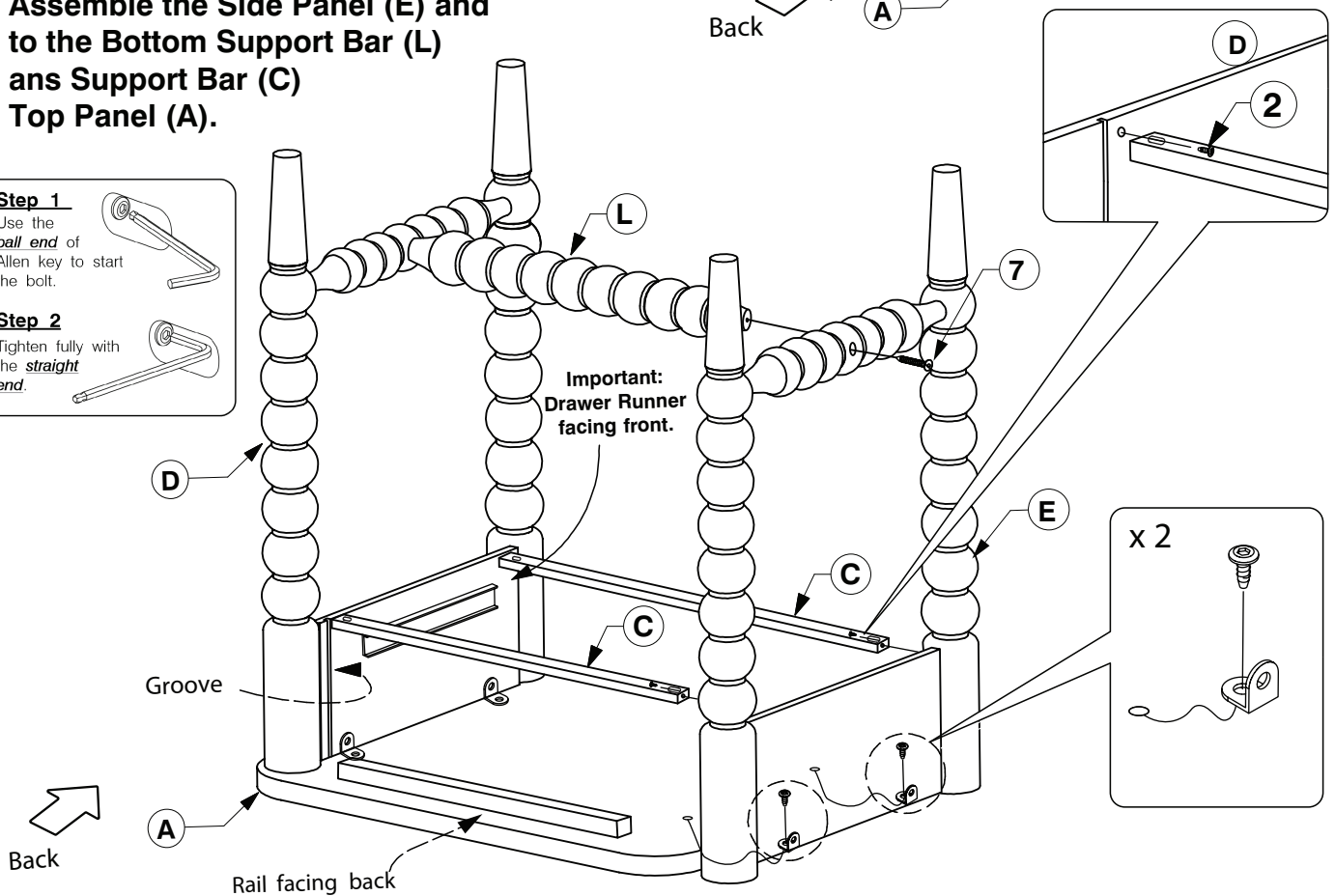
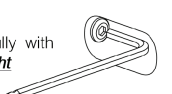
Step 1

Use the **ball end** of Allen key to start the bolt.



Step 2

Tighten fully with the **straight end**.

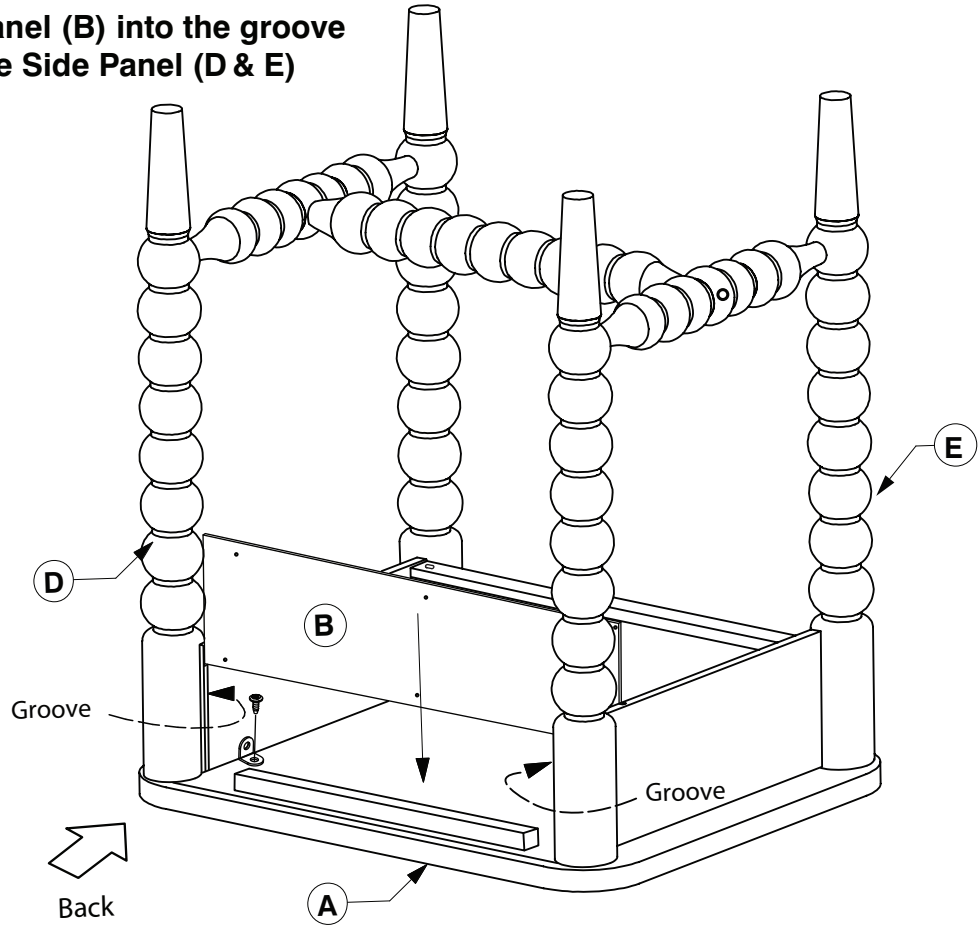


9025 1 Drawer Night Stand

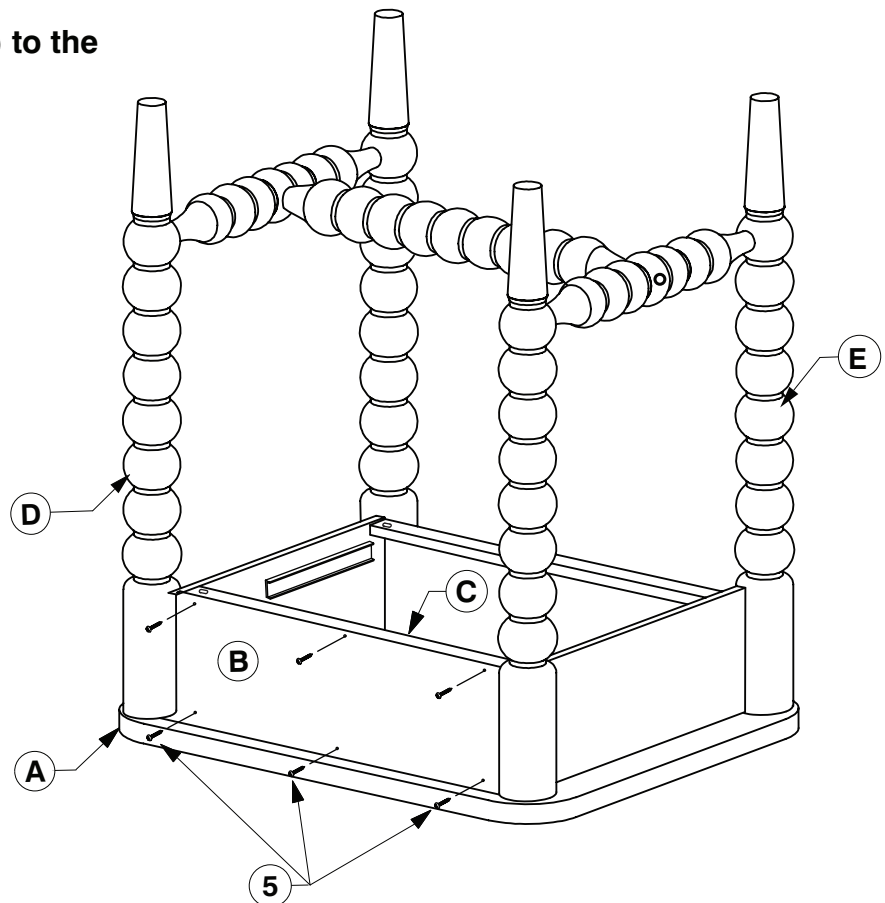
Assembly Instructions

WI-1025

- 10** Slide the Back Panel (B) into the groove on the back of the Side Panel (D & E)



- 11** Screw the Back Panel (B) to the Side Panel (D & E).

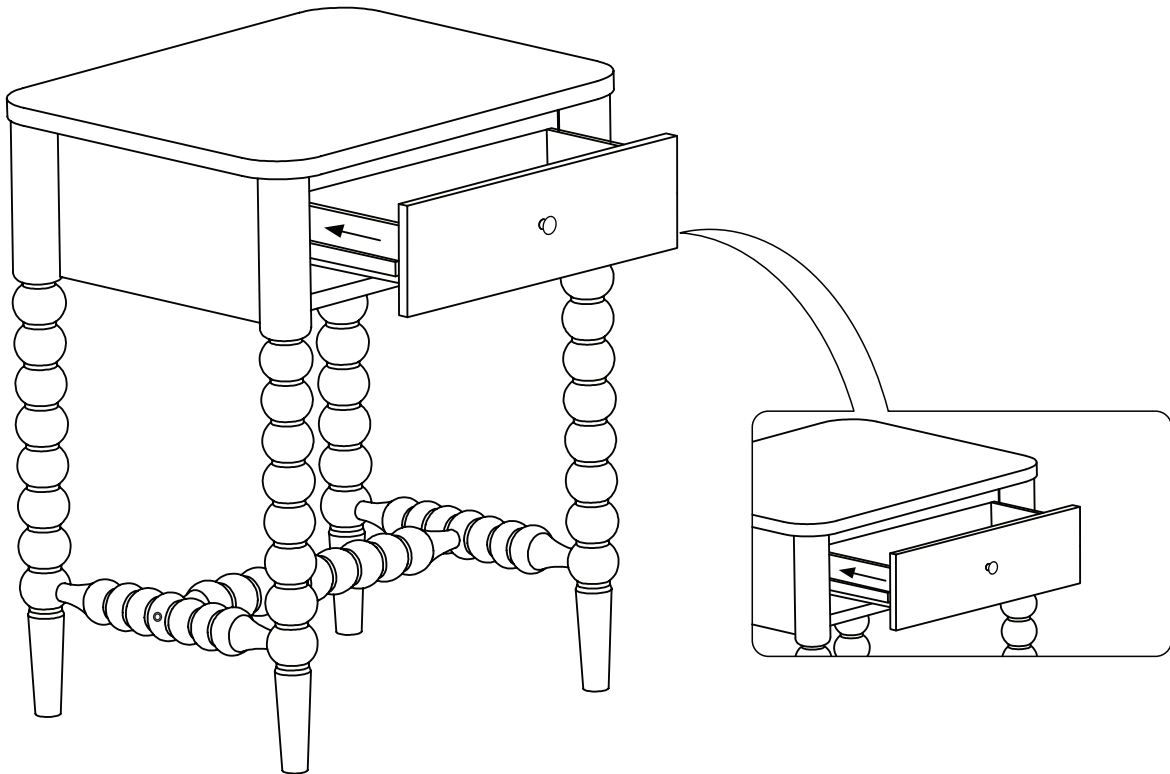


9025 1 Drawer Night Stand

Assembly Instructions

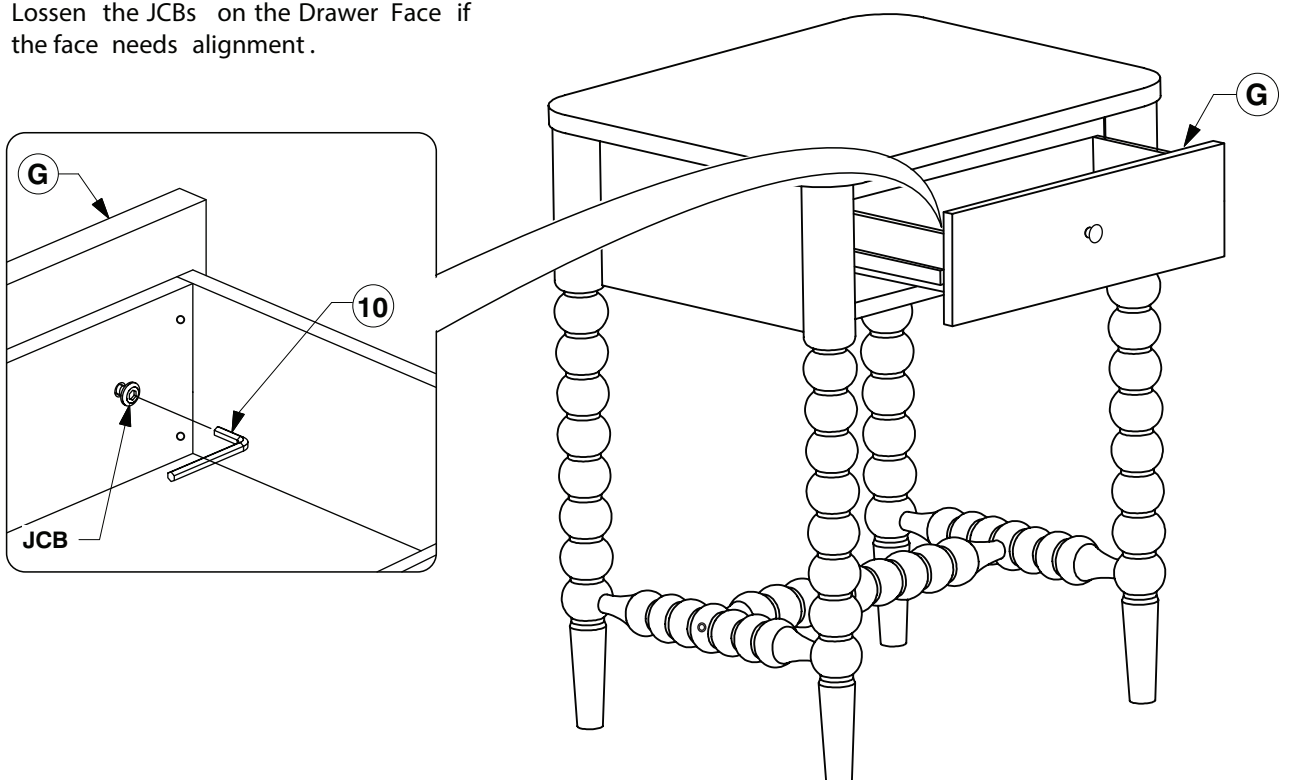
WI-1025

12 Fit the Drawer Box to the Casegood Body.



13 Adjust the Drawer Face (G).

* NOTE: Before fitting the Wood Screws .
Loosen the JCBs on the Drawer Face if
the face needs alignment.



9025 1 Drawer Night Stand

Assembly Instructions

WI-1025

- 14** After the Drawer Faces (G) are aligned, secure with wood screws.

