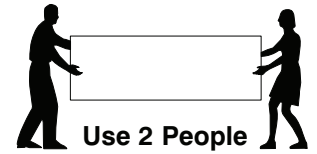
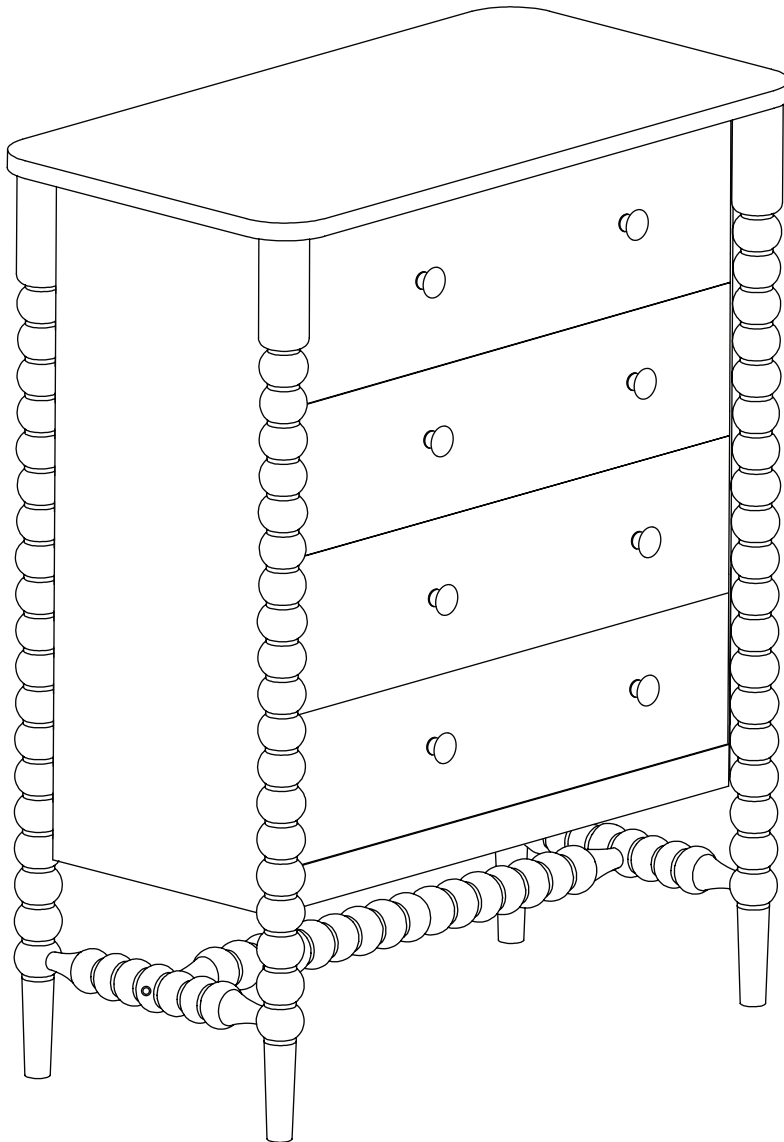


9025 4 Drawer Chest

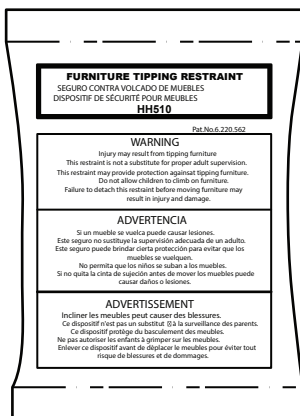
Assembly Instructions

WI-1025



Note: Do not assemble using power tools. This can cause the bolts to be overtightened

WARNING



Anti Tipping Kit
Anti Tipping Kit x 1



Children have died from furniture tipover.

To reduce the risk of furniture tipover:

- ALWAYS install anti-tip device provided.
- NEVER put a TV on this product.
- NEVER allow children to stand, climb, or hang on any drawers, doors or shelves.
- NEVER open more than one drawer at a time.
- DO NOT defeat or remove the drawer interlock system; it is an important stability and safety system.
- Place heaviest items in the lowest drawer.

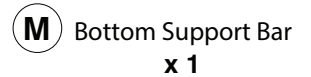
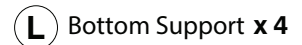
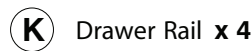
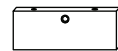
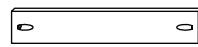
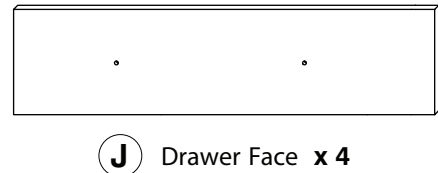
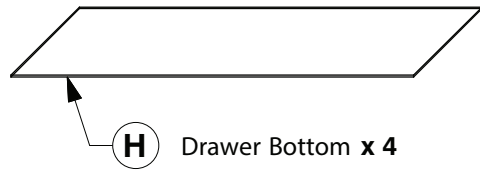
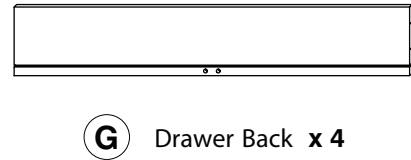
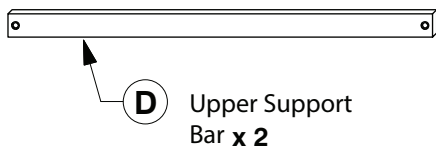
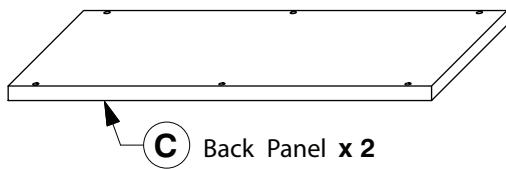
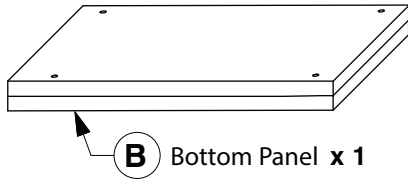
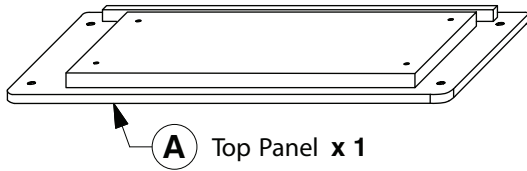
9025 4 Drawer Chest

Assembly Instructions

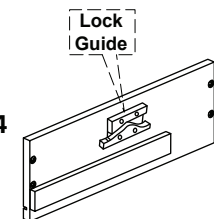
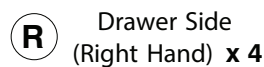
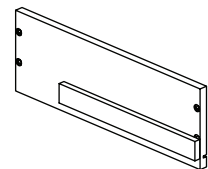
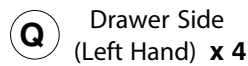
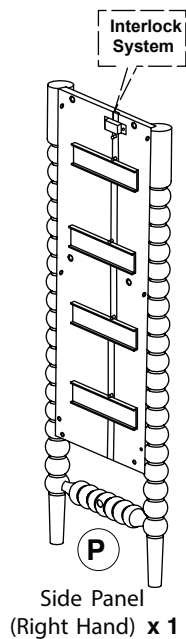
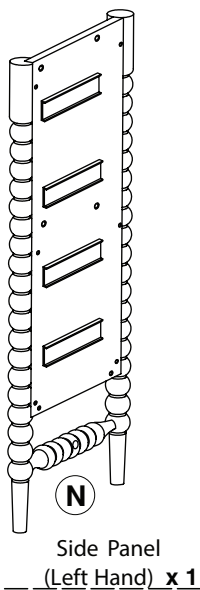
WI-1025

1 Parts List

Parts in Box A:



Parts in Box B:

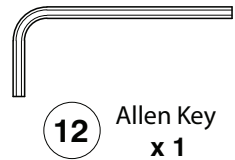
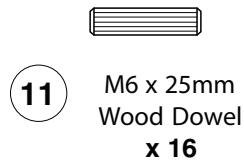
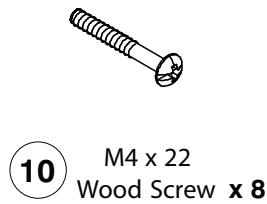
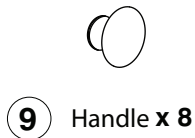
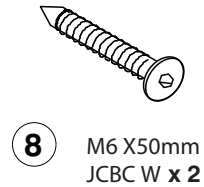
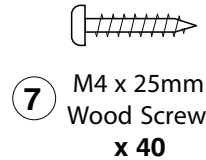
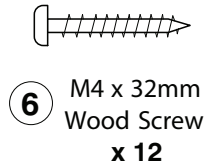
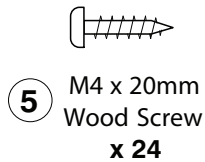
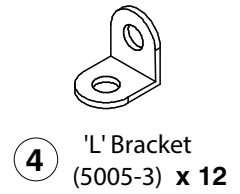
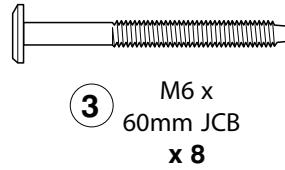
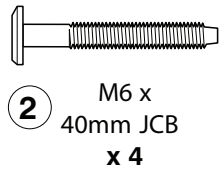
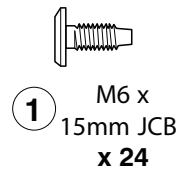


9025 4 Drawer Chest

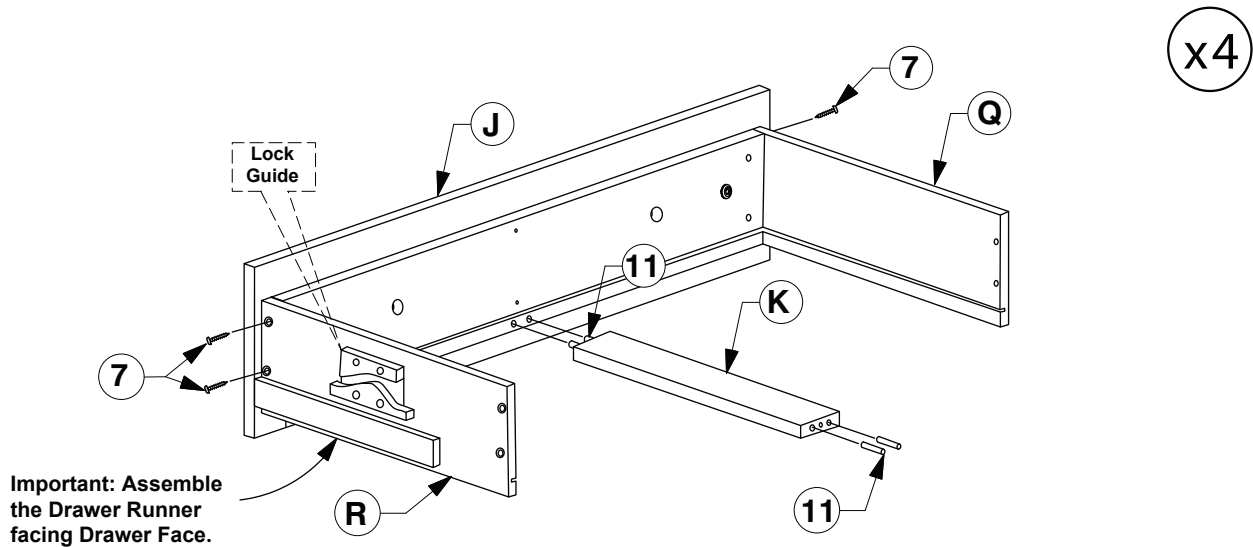
Assembly Instructions

WI-1025

2 Hardware List



3 Assemble the Drawer Sides (Q & R) & Drawer Rail (K) to the Drawer Face (J).



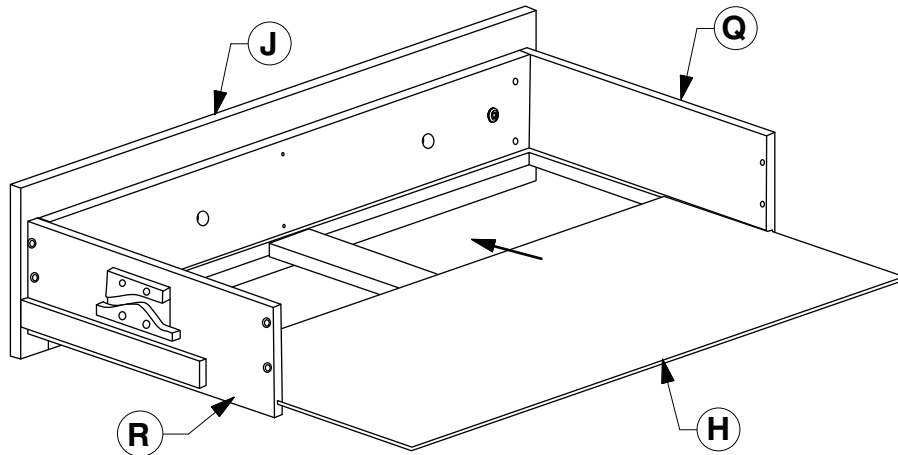
9025 4 Drawer Chest

Assembly Instructions

WI-1025

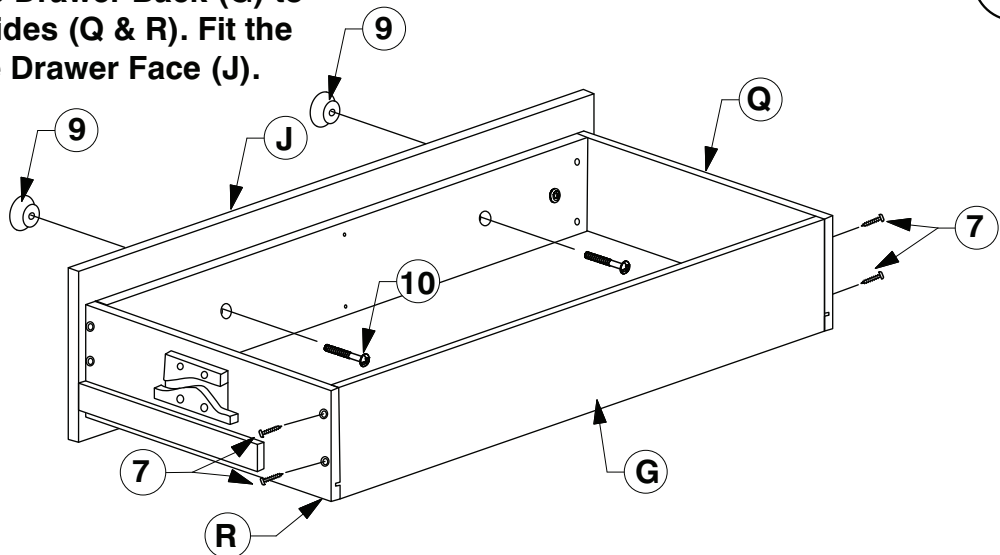
- 4** Slide the Drawer Bottom (H) into the groove on the Drawer Sides (Q & R).

x4



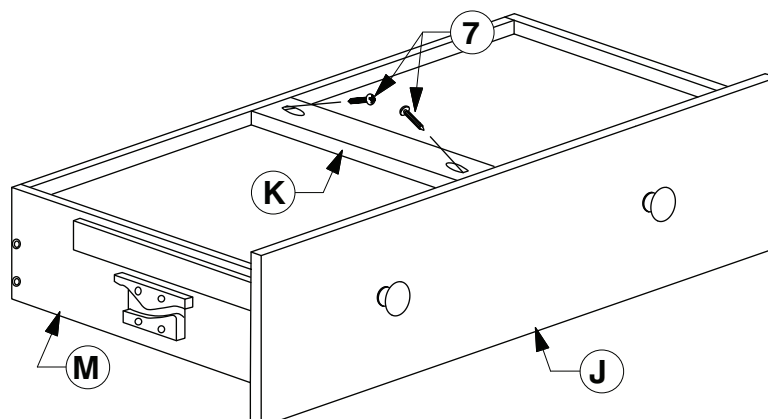
- 5** Assemble the Drawer Back (G) to the Drawer Sides (Q & R). Fit the Handle to the Drawer Face (J).

x4



- 6** Turn the Drawer over to fit angled 25mm Wood screws (7) to the Drawer Rail (K).

x4

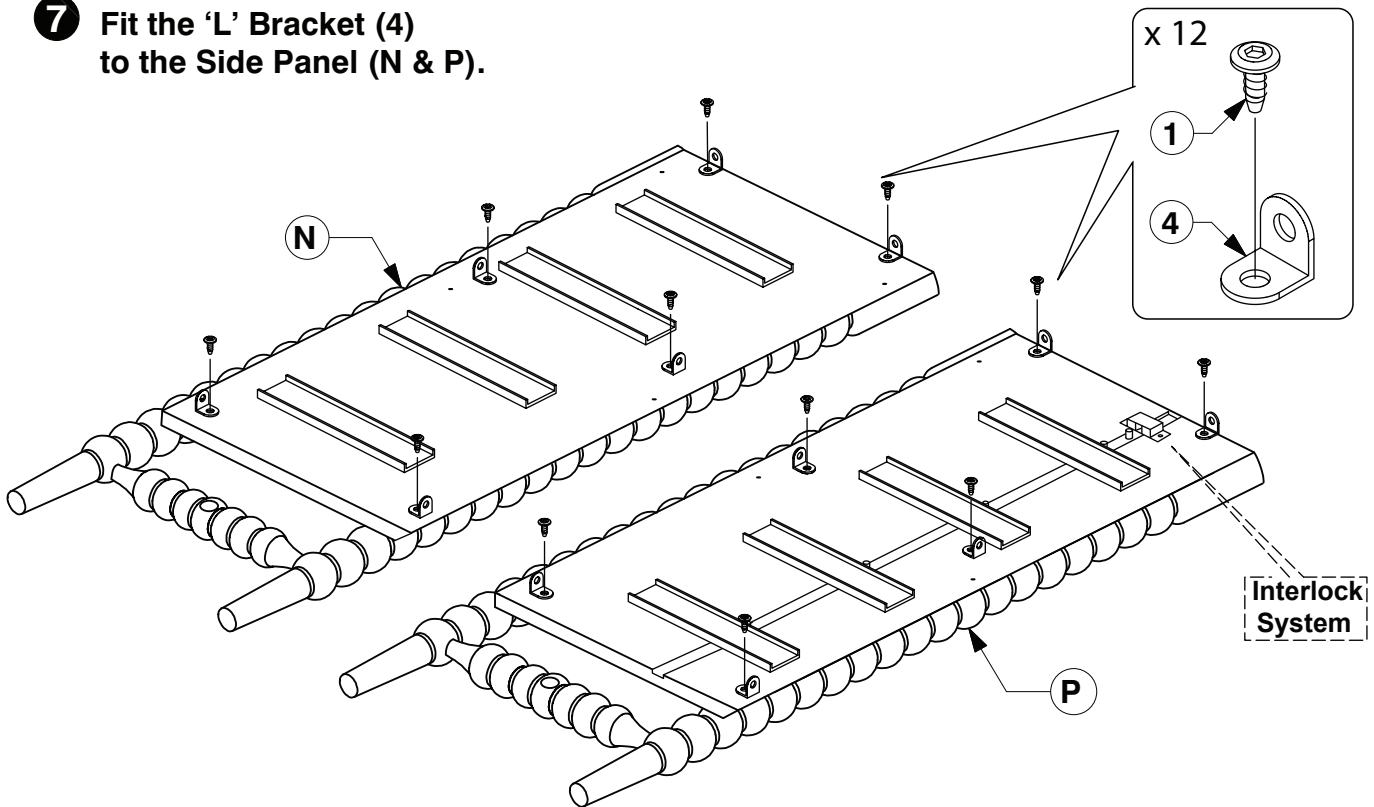


9025 4 Drawer Chest

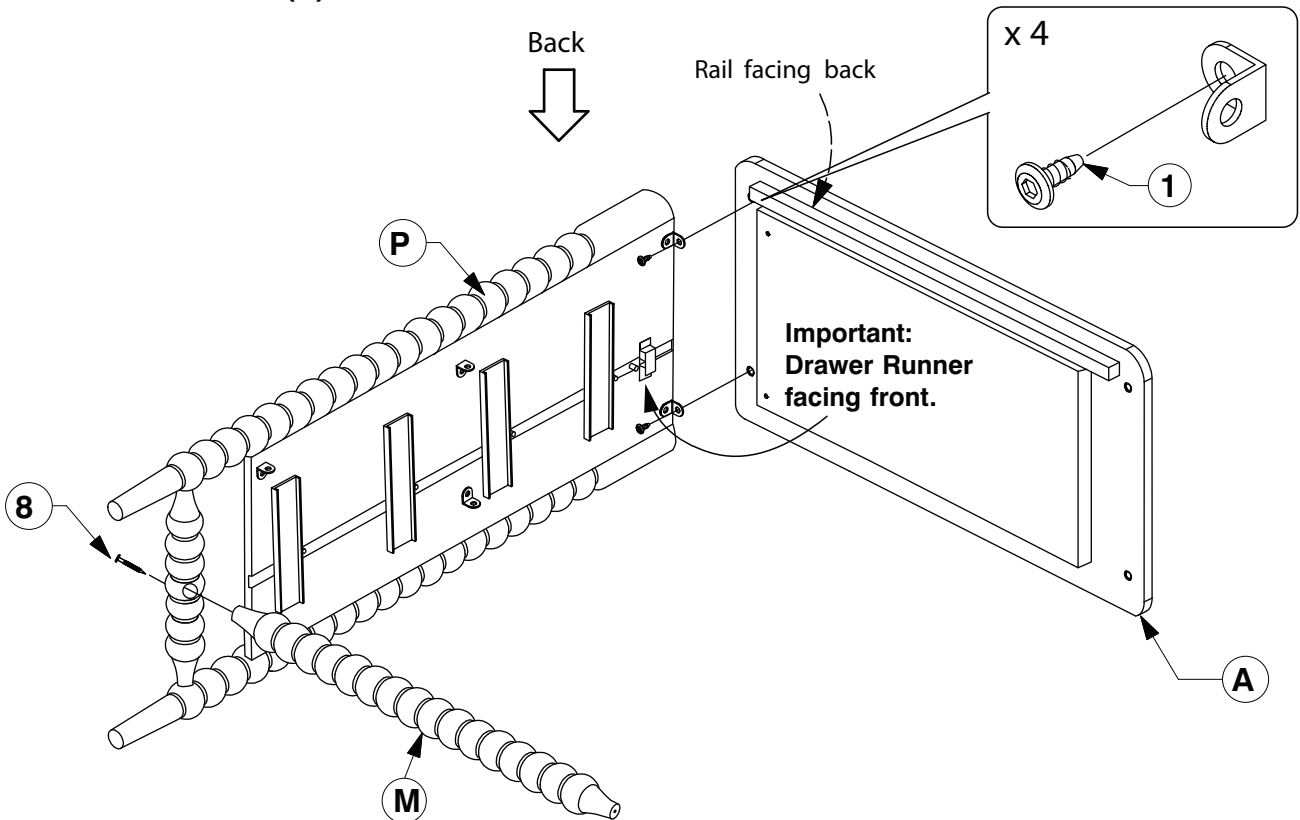
Assembly Instructions

WI-1025

- 7** Fit the 'L' Bracket (4) to the Side Panel (N & P).



- 8** Assembled the Top Panel (A) and Bottom Support Bar (M) to the Side Panel (P)

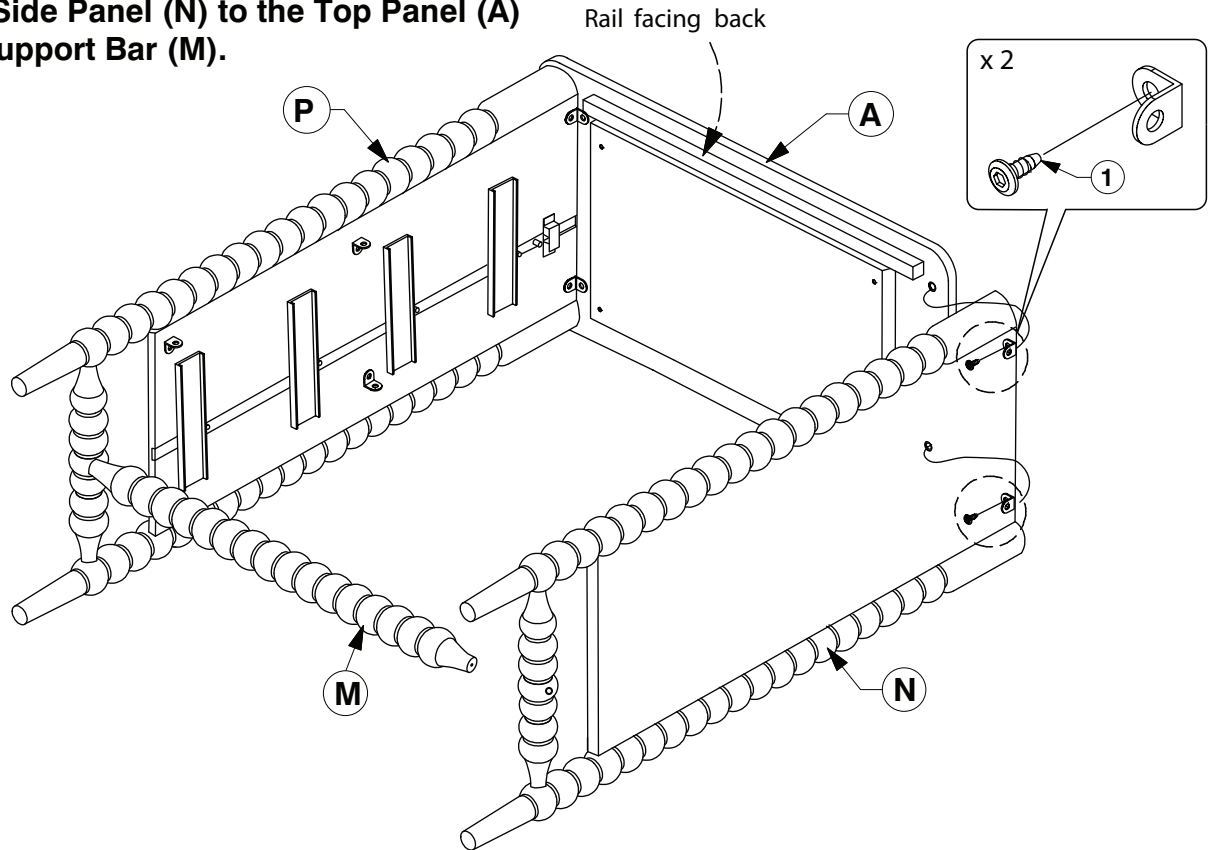


9025 4 Drawer Chest

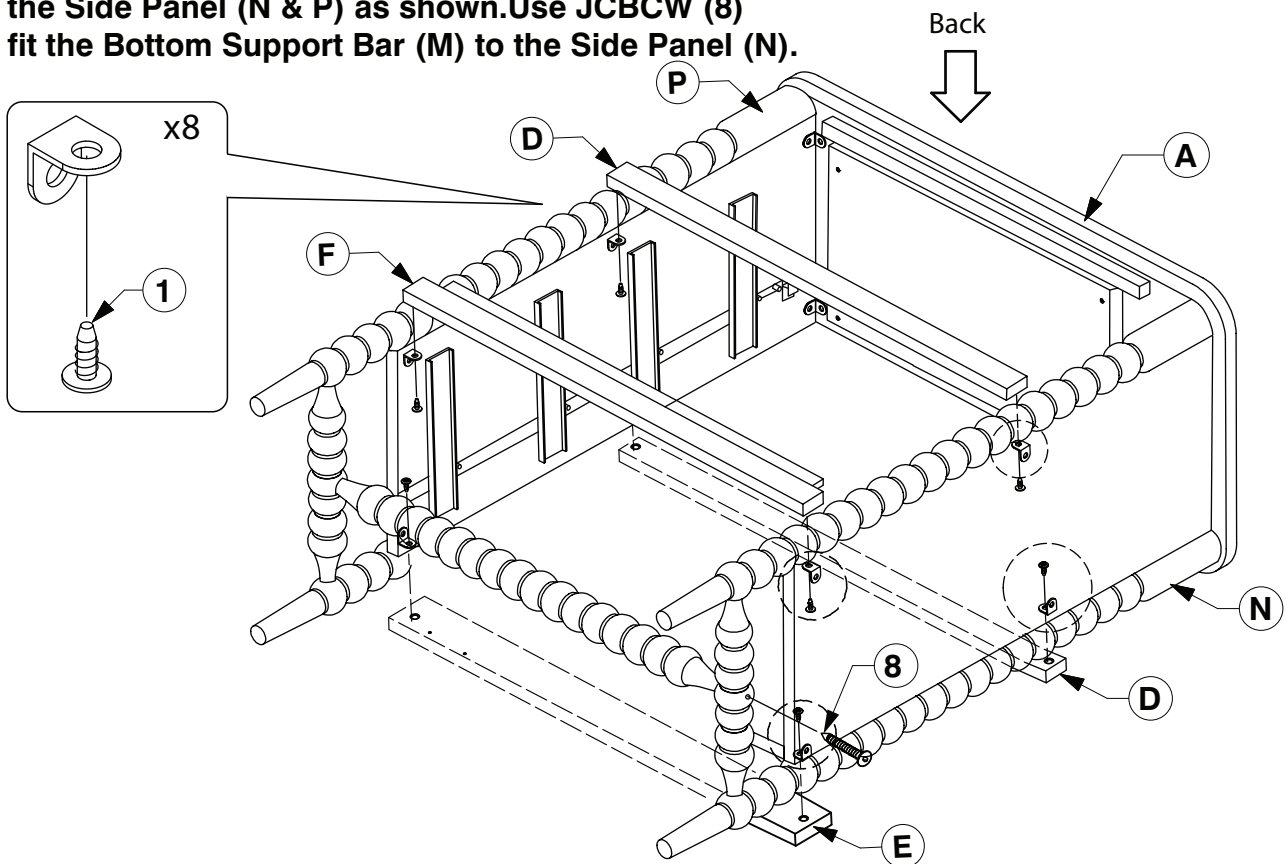
Assembly Instructions

WI-1025

- 9** Attached the Side Panel (N) to the Top Panel (A) and Bottom Support Bar (M).



- 10** Fit the Support Bar Upper & Bottom (D & E & F) to the Side Panel (N & P) as shown. Use JCBCW (8) to fit the Bottom Support Bar (M) to the Side Panel (N).

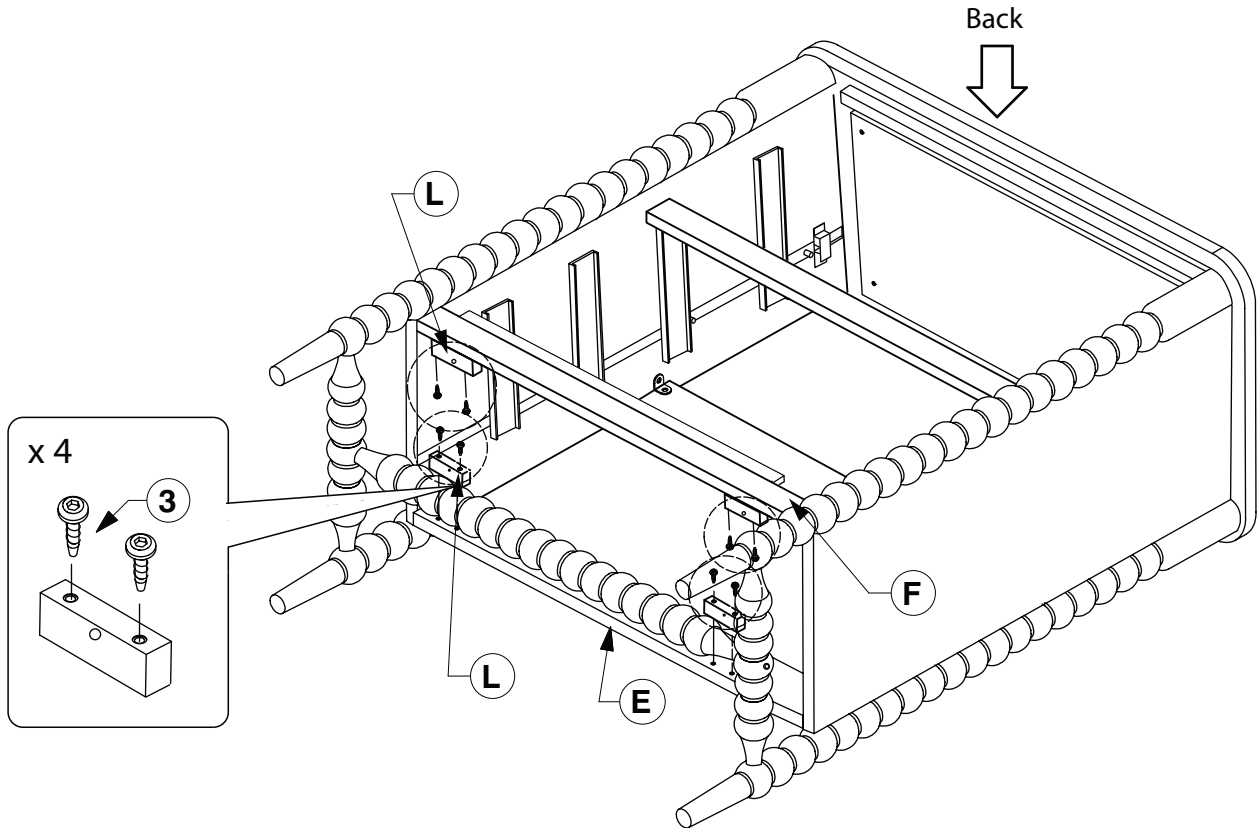


9025 4 Drawer Chest

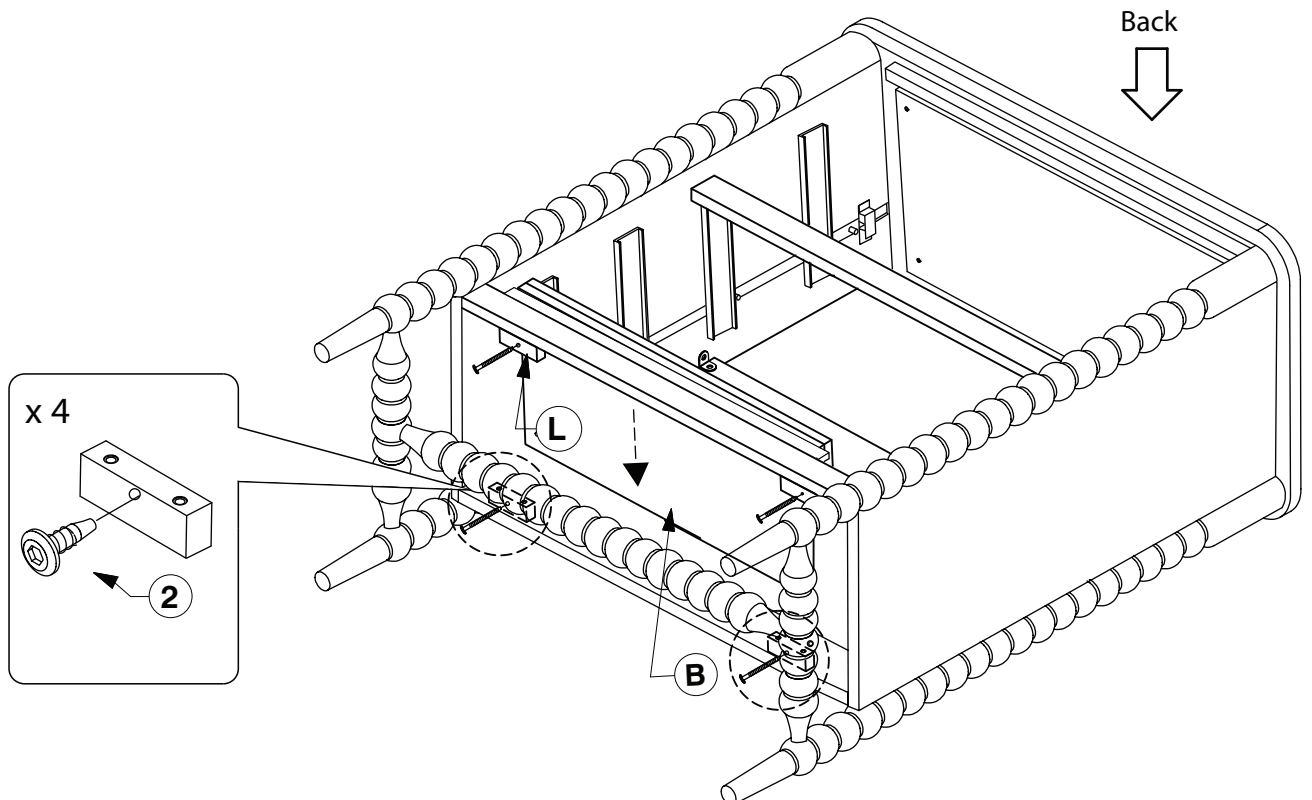
Assembly Instructions

WI-1025

- 11** Assembled the Bottom Support (L) to the Bottom Front & Rear Support Bar (E & F) as shown.



- 12** Bolt the Bottom Support (L) to the Bottom Panel (B) as shown.

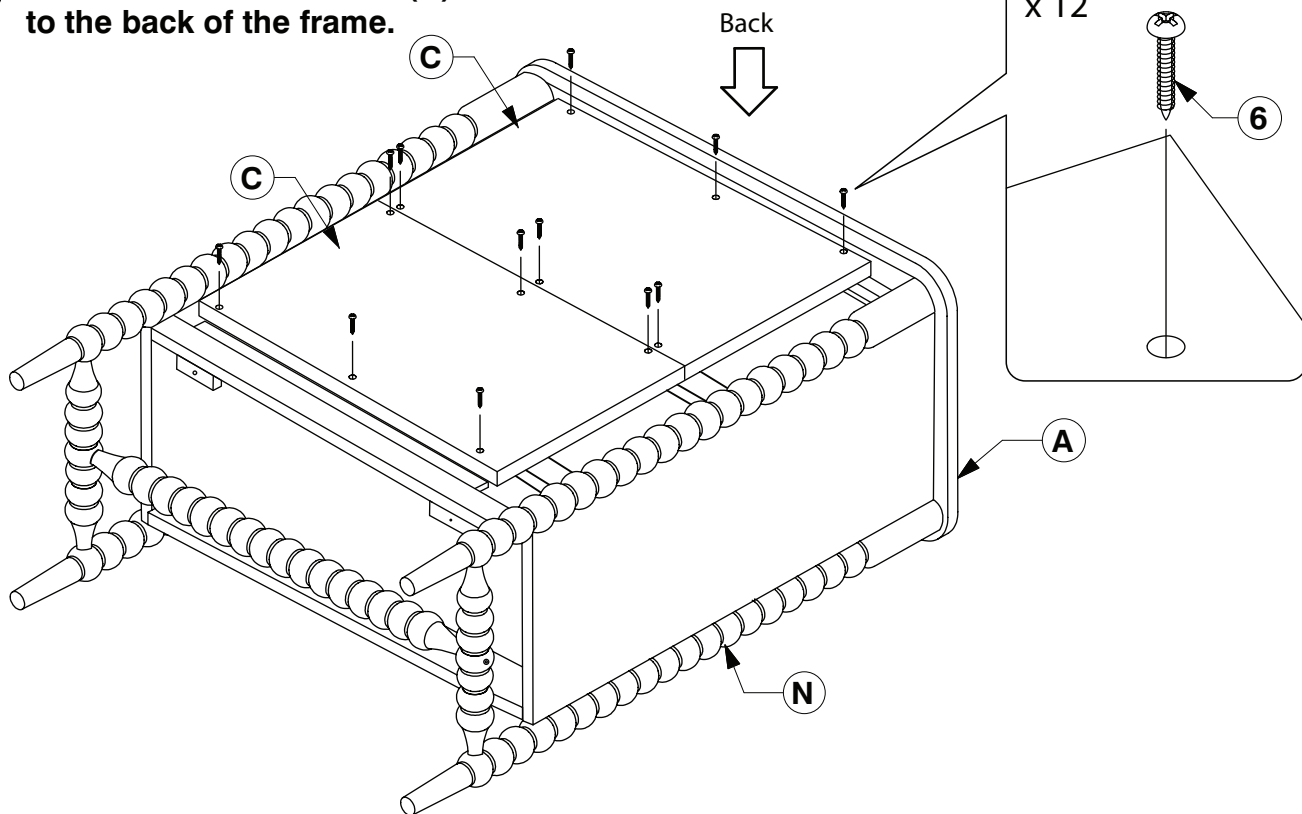


9025 4 Drawer Chest

Assembly Instructions

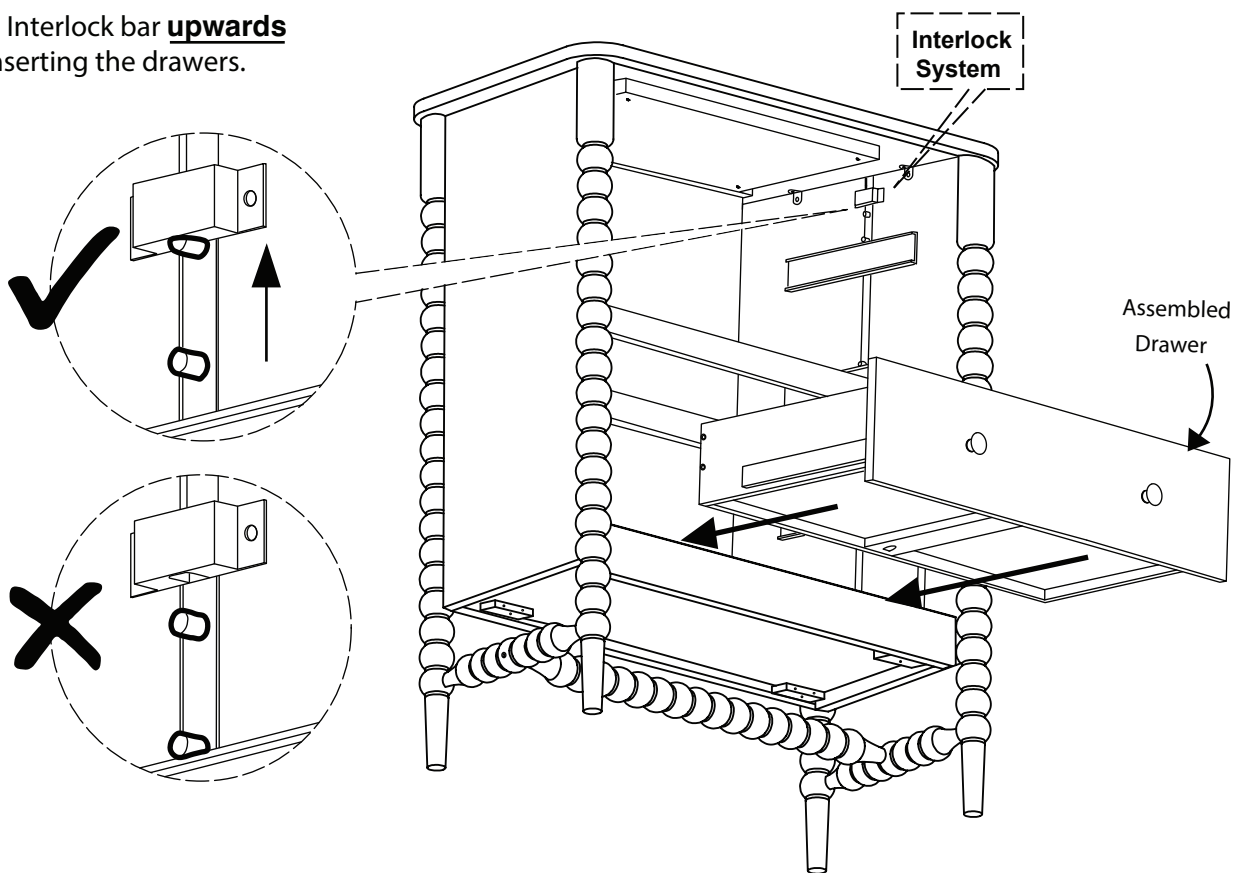
WI-1025

13 Attached the Back Panel (C) to the back of the frame.



14 Install the Drawer.

- Push the Interlock bar upwards before inserting the drawers.



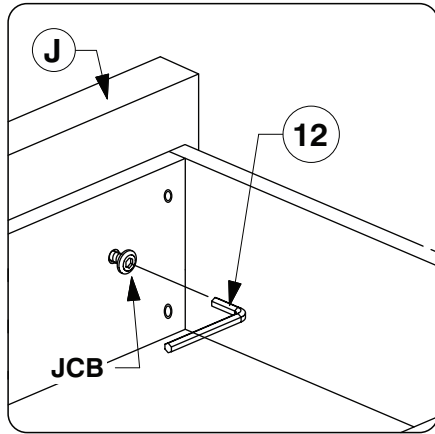
9025 4 Drawer Chest

Assembly Instructions

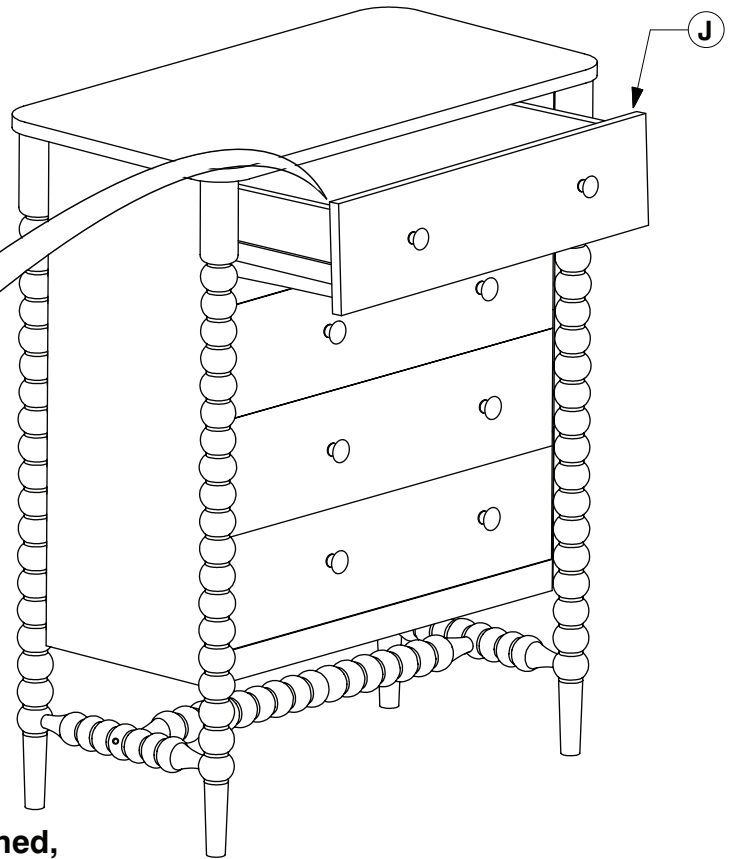
WI-1025

15 Fit and adjust the Drawer Face (J).

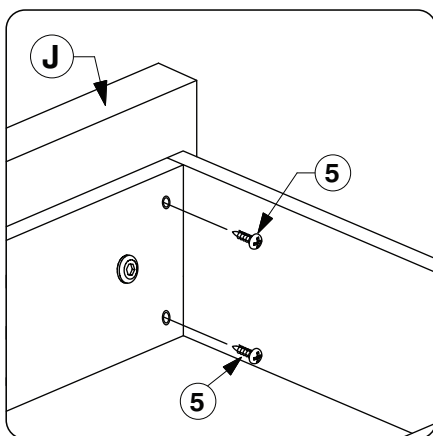
* NOTE: Before fitting the Wood Screws .
Losen the JCBs on the Drawer Face if
the face needs alignment .



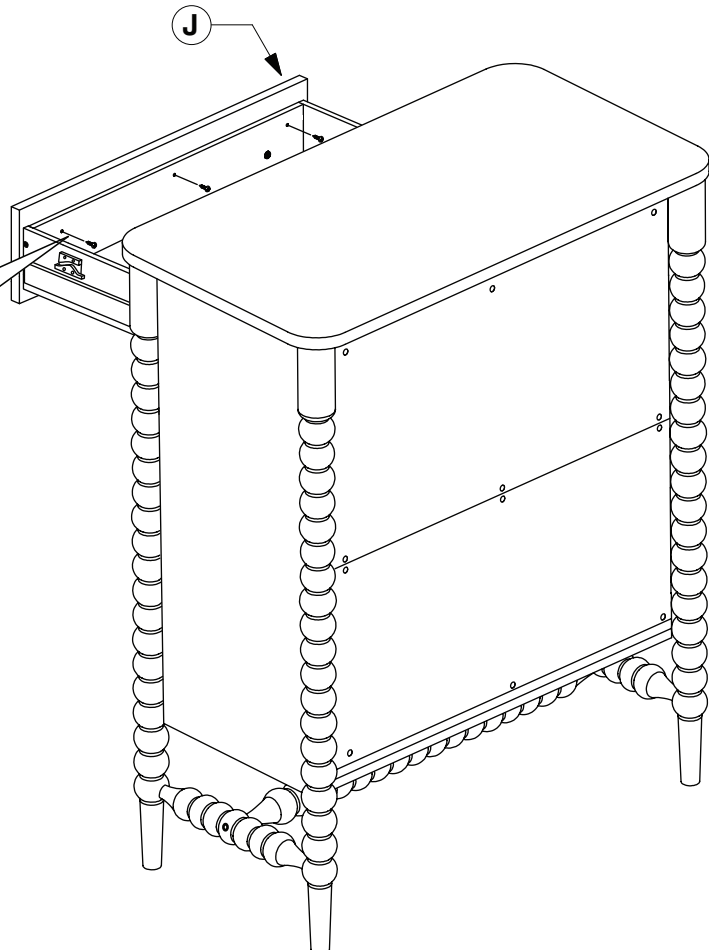
* NOTE: Only one Drawer can be open
at a time.



16 After the Drawer Faces (J) are aligned, secure with wood screws.



* NOTE: Only one Drawer can be open
at a time.



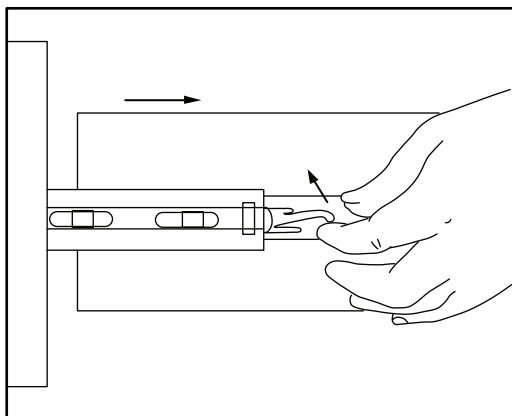
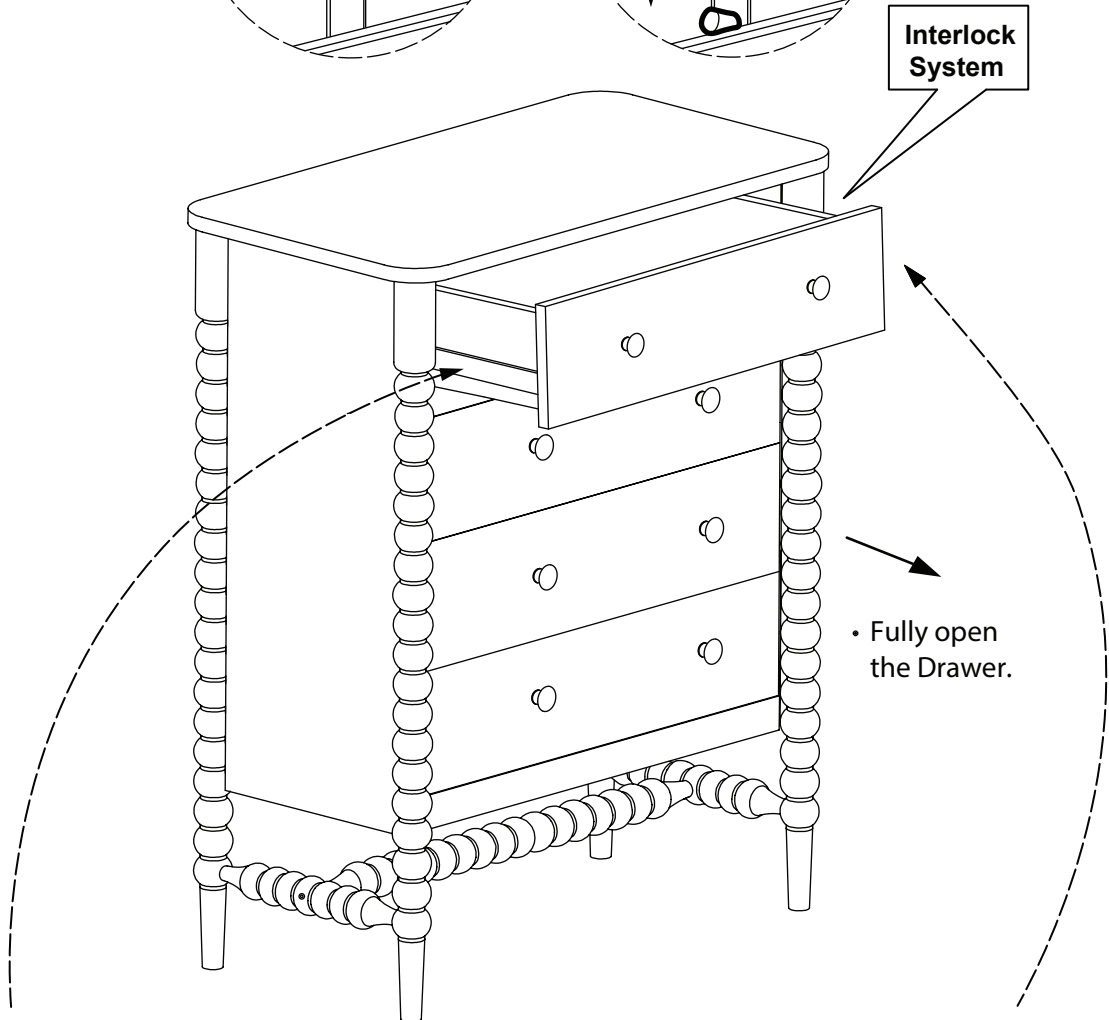
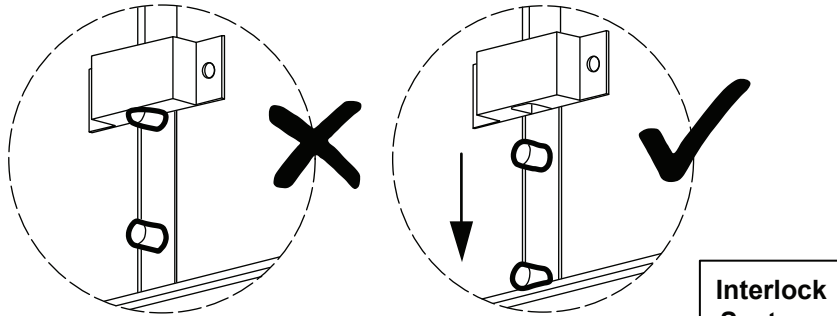
9025 4 Drawer Chest

Assembly Instructions

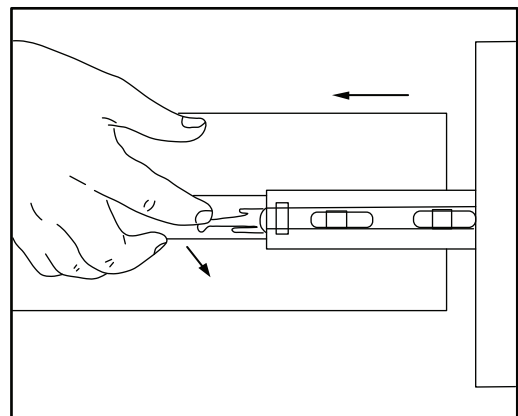
WI-1025

17 Remove the Drawers.

- After removing the top drawer, push the interlock bar **down**. Then remove the lower drawers.



- Lift the **LEFT** side clip **up**.



- Push the **RIGHT** side clip **down**.