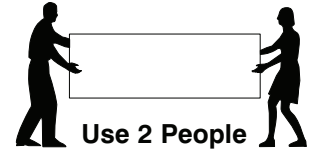
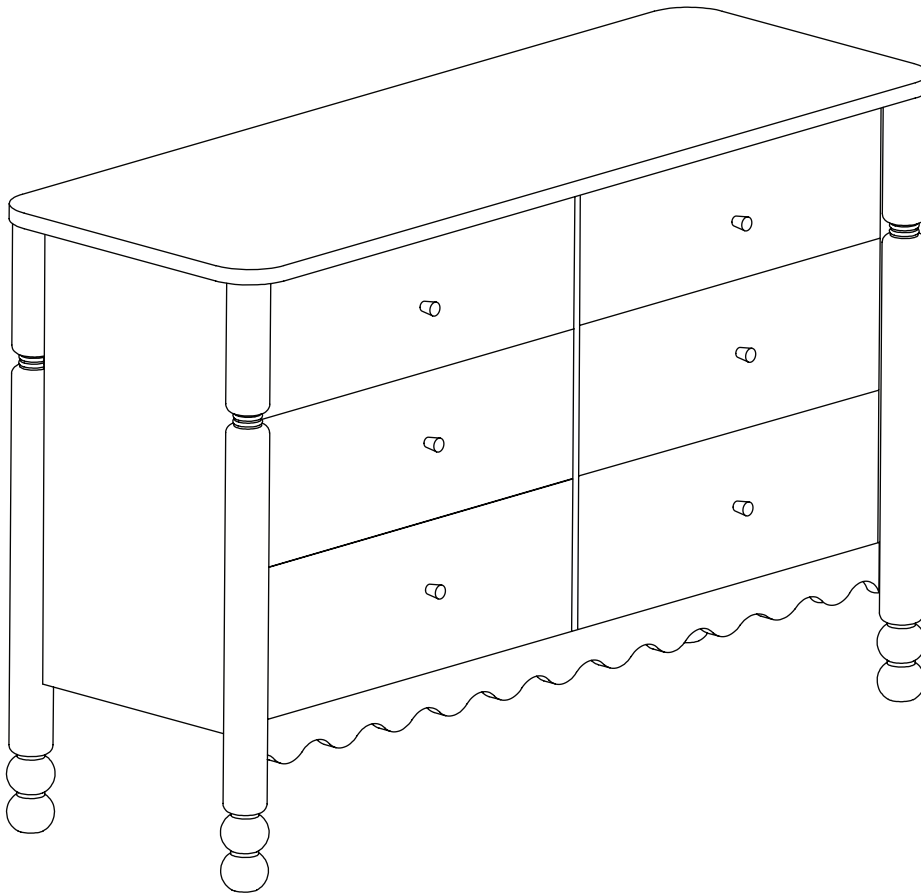


9022 6 Drawer Dresser

Assembly Instructions

WI-1025



Note: Do not assemble using power tools. This can cause the bolts to be overtightened

WARNING



Anti Tipping Kit x 1



Children have died from furniture tipover.

To reduce the risk of furniture tipover:

- ALWAYS install anti-tip device provided.
- NEVER put a TV on this product.
- NEVER allow children to stand, climb, or hang on any drawers, doors or shelves.
- NEVER open more than one drawer at a time.
- DO NOT defeat or remove the drawer interlock system; it is an important stability and safety system.
- Place heaviest items in the lowest drawer.

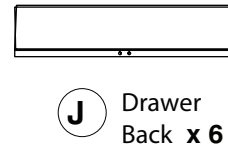
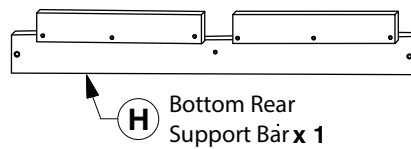
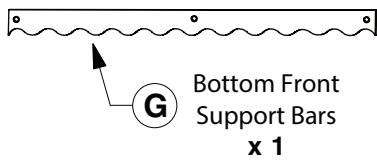
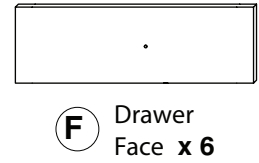
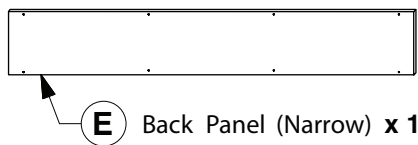
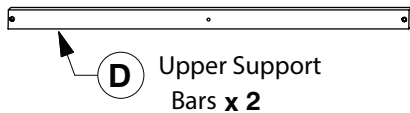
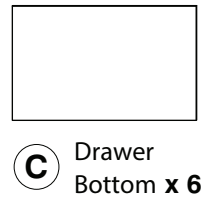
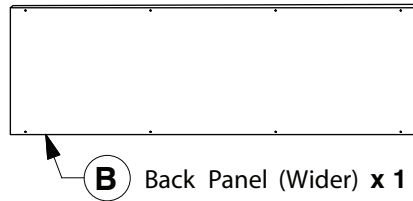
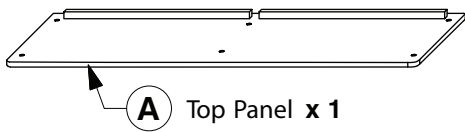
9022 6 Drawer Dresser

Assembly Instructions

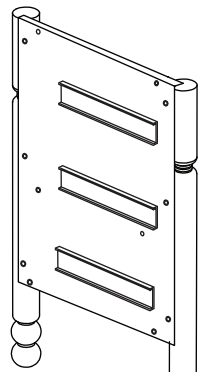
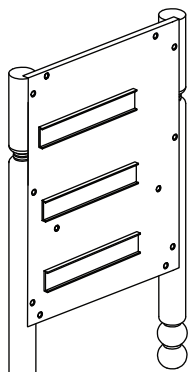
WI-1025

1 Parts List

Parts in Box A:

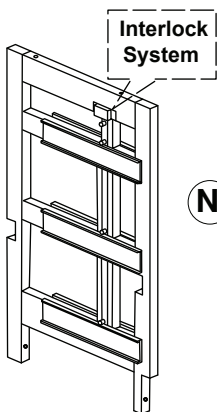


Parts in Box B:

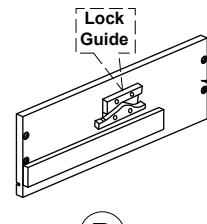
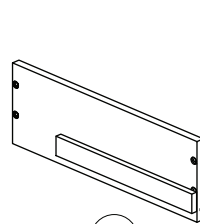


L Side Panel (Left Hand) x 1

M Side Panel (Right Hand) x 1



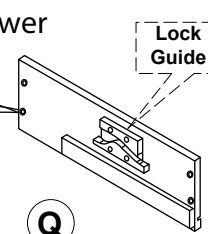
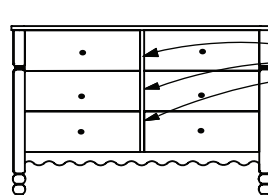
Parts for **LEFT** Side Drawer



O LEFT Drawer Side (Left Hand) x 3

P LEFT Drawer Side (Right Hand) x 3

Parts for **RIGHT** Side Drawer



Q RIGHT Drawer Side (Left Hand) x 3

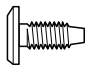


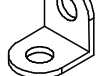
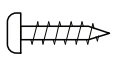
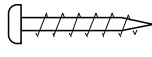
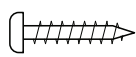

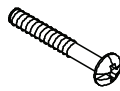


R RIGHT Drawer Side (Right Hand) x 3

9022 6 Drawer Dresser

Assembly Instructions

WI-1025

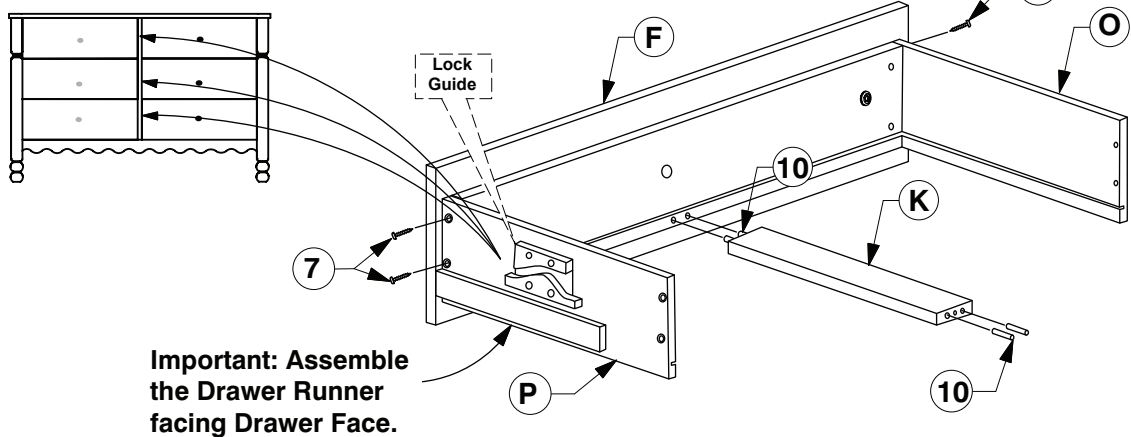
2 Hardware List

- | | | | |
|---|---|---|---|
|  |  |  |  |
| 1 M6 x 15mm JCB x 24 | 2 M6 x 30mm JCB x 4 | 3 M6 x 60mm JCB x 2 | 4 'L' Bracket (5005-3) x 12 |
|  |  |  |  |
| 5 Wood Screw (M4 x 20mm) x 24 | 6 Wood Screw (M4 x 32mm) x 16 | 7 Wood Screw (M4 x 25mm) x 60 | 8 Handle (1005) x 6 |
|  |  |  | |
| 9 M4 x 22mm Wood Screw x 6 | 10 M6 x 25mm Wood Dowel x 24 | 11 Allen Key x 1 | |

3 Assemble the Drawers.

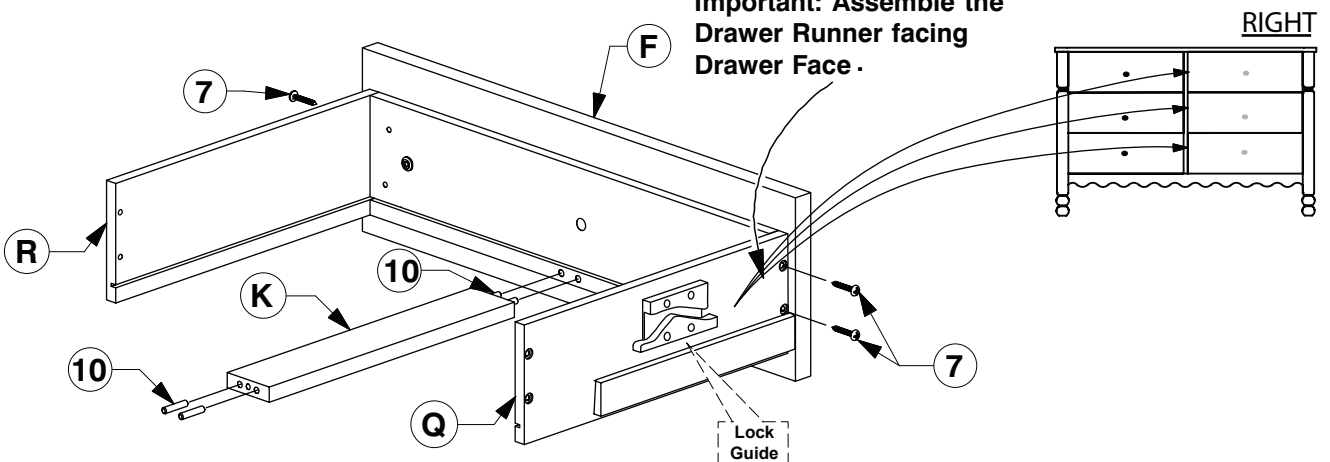
STEP 3.1

LEFT



x 3

Important: Assemble the Drawer Runner facing Drawer Face.



x 3

9022 6 Drawer Dresser

Assembly Instructions

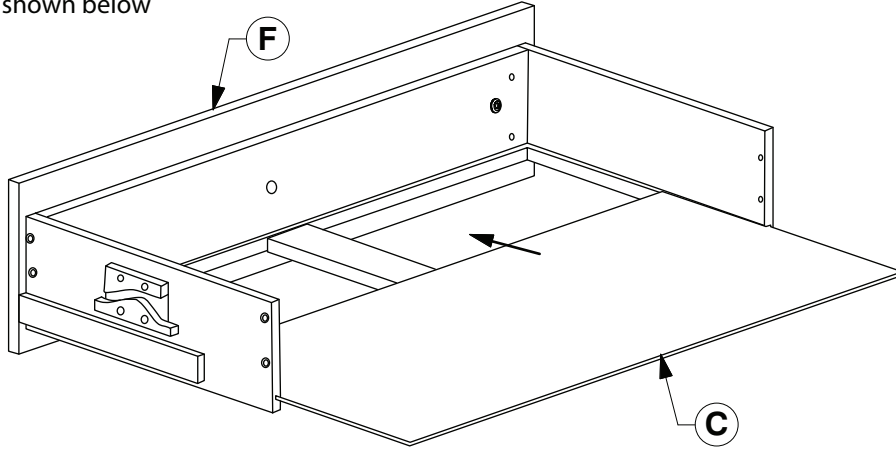
WI-1025

3 Assemble the Drawers.

STEP 3.2

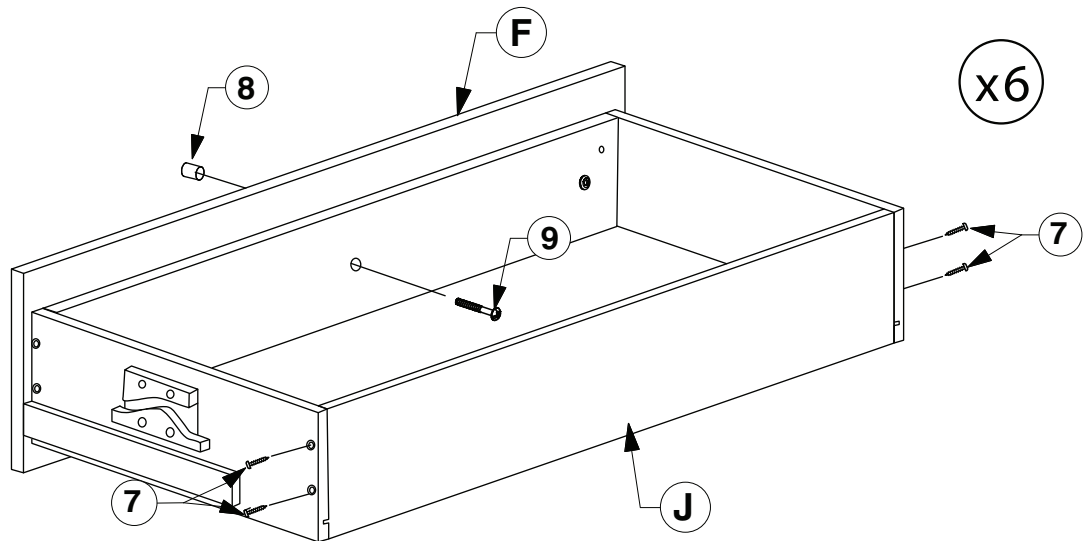
x6

* 3 Assemble the left and right drawers as shown below



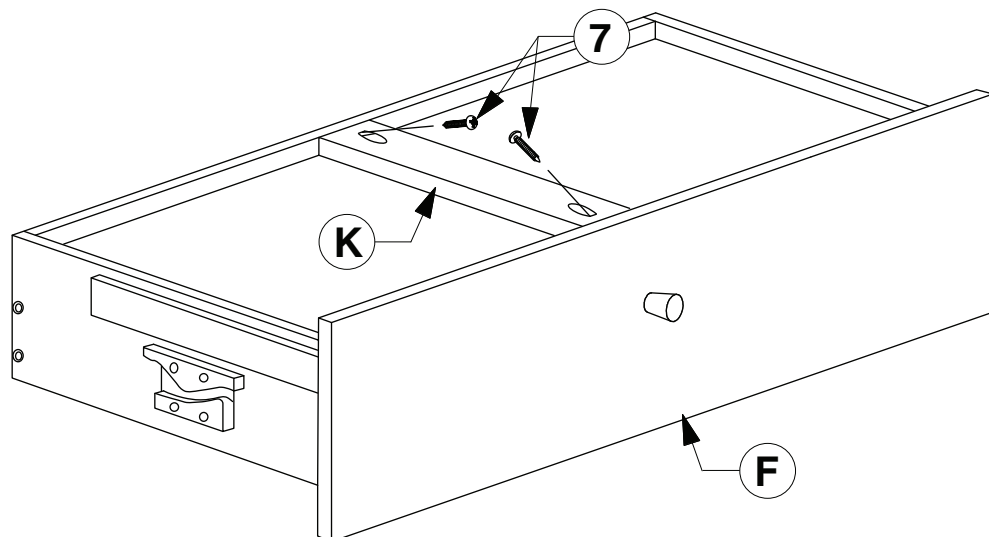
STEP 3.3

x6



STEP 3.4

x6

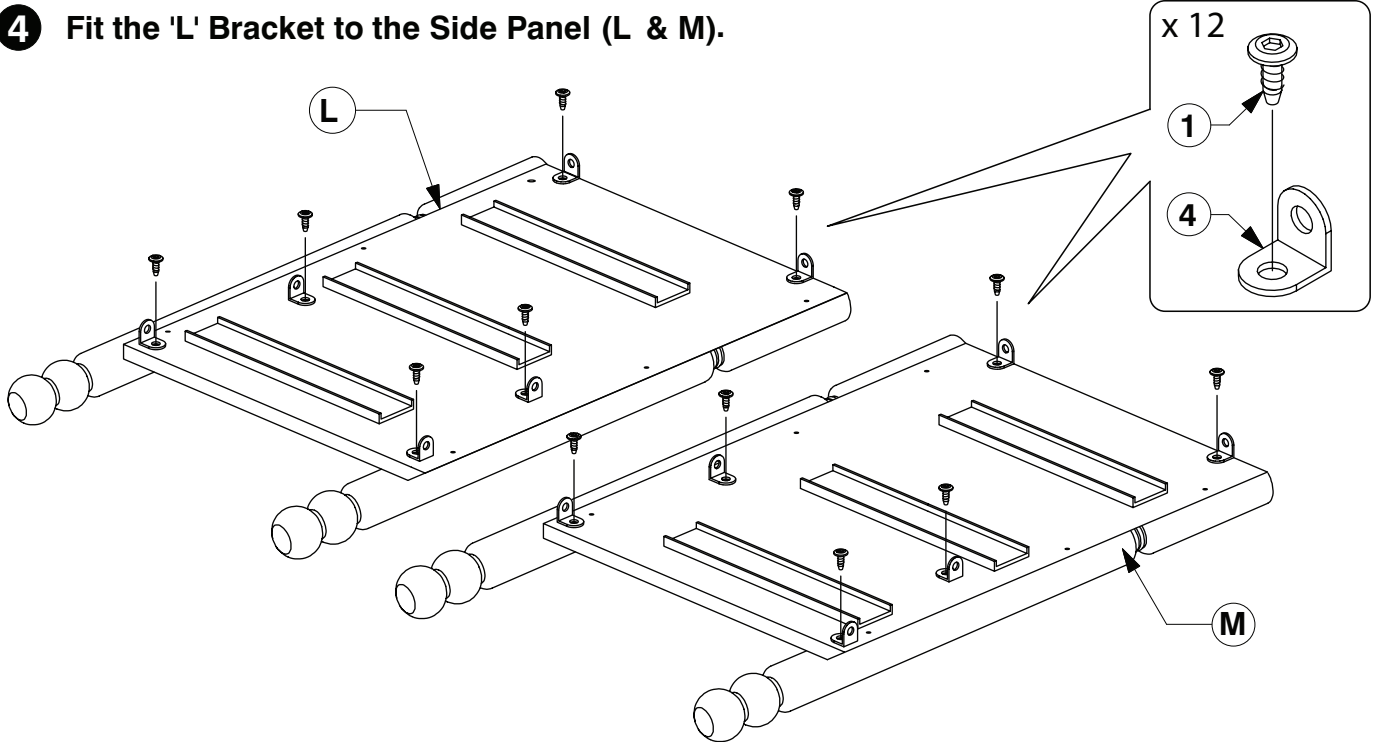


9022 6 Drawer Dresser

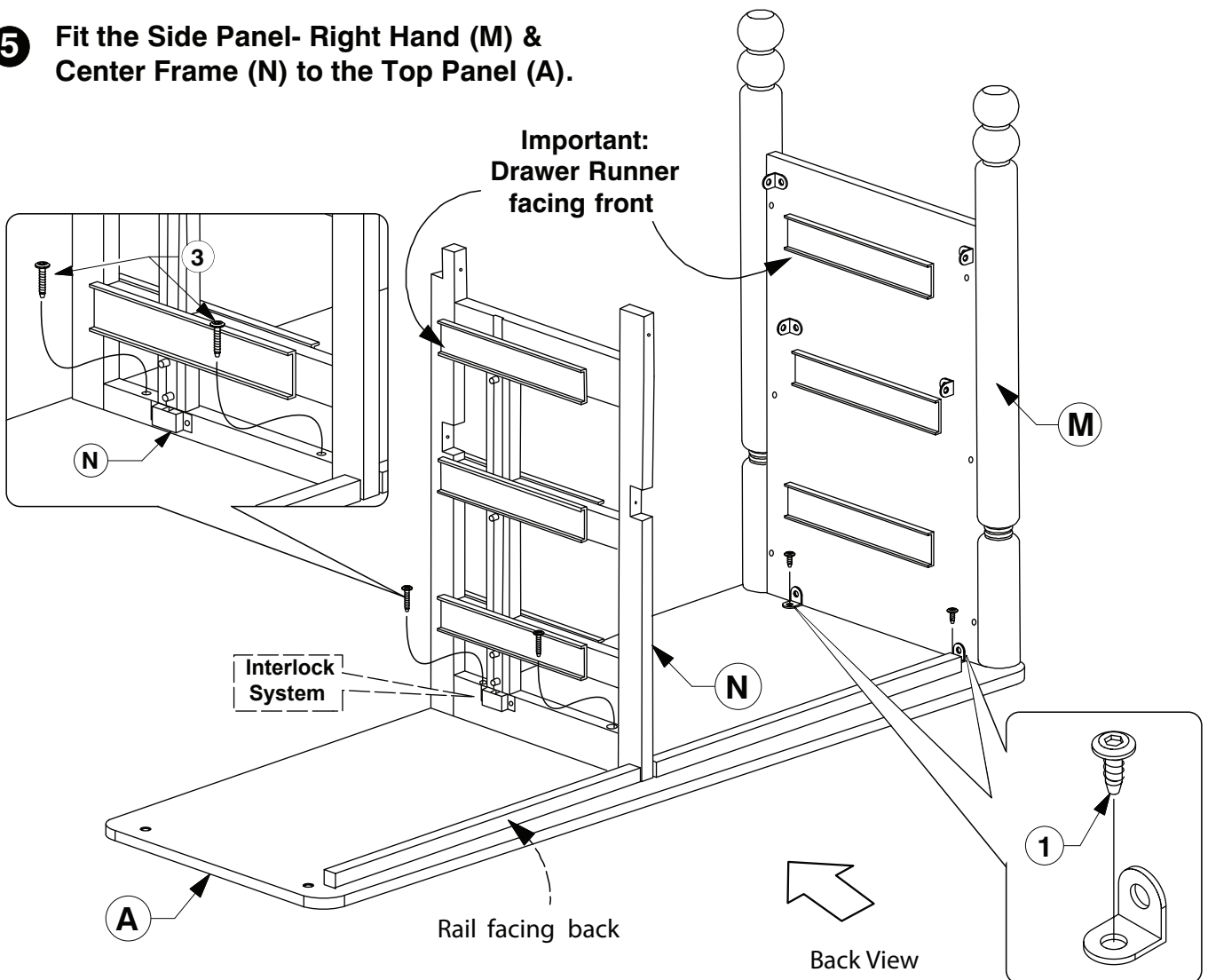
Assembly Instructions

WI-1025

4 Fit the 'L' Bracket to the Side Panel (L & M).



5 Fit the Side Panel- Right Hand (M) & Center Frame (N) to the Top Panel (A).

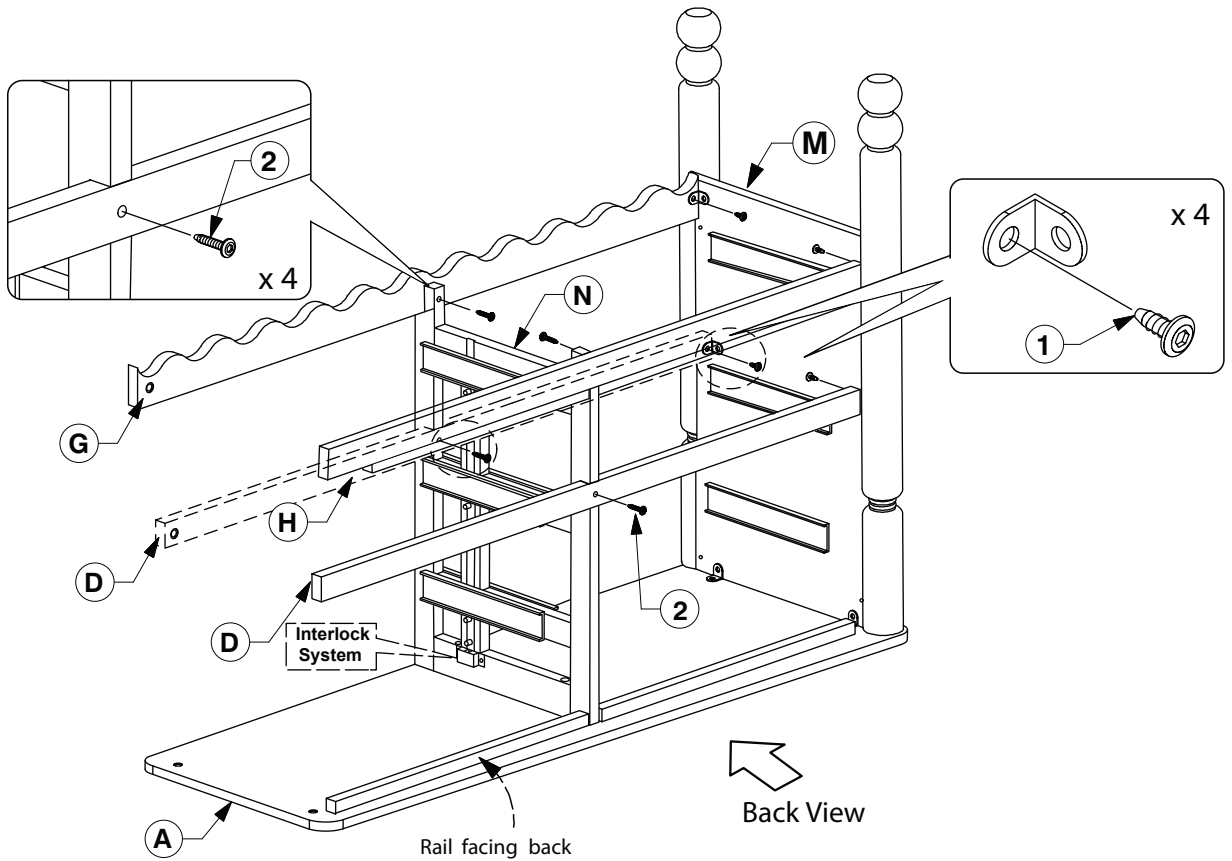


9022 6 Drawer Dresser

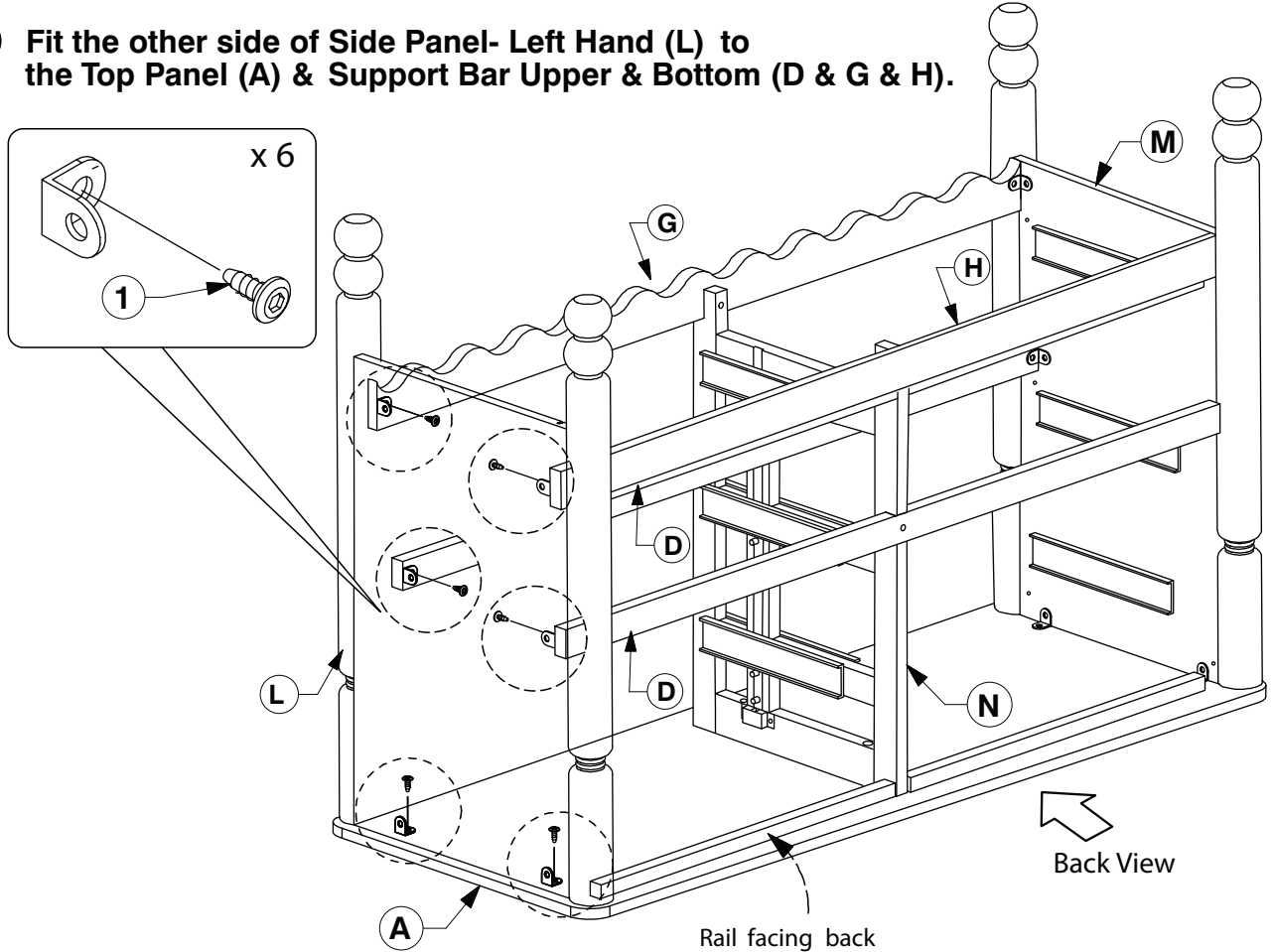
Assembly Instructions

WI-1025

- 6** Fit the Upper Support Bar (D) and Bottom Front & Rear Support Bars (G & H) to the Side Panel-Right Hand (M) & Center Frame (N) as shown.



- 7** Fit the other side of Side Panel- Left Hand (L) to the Top Panel (A) & Support Bar Upper & Bottom (D & G & H).

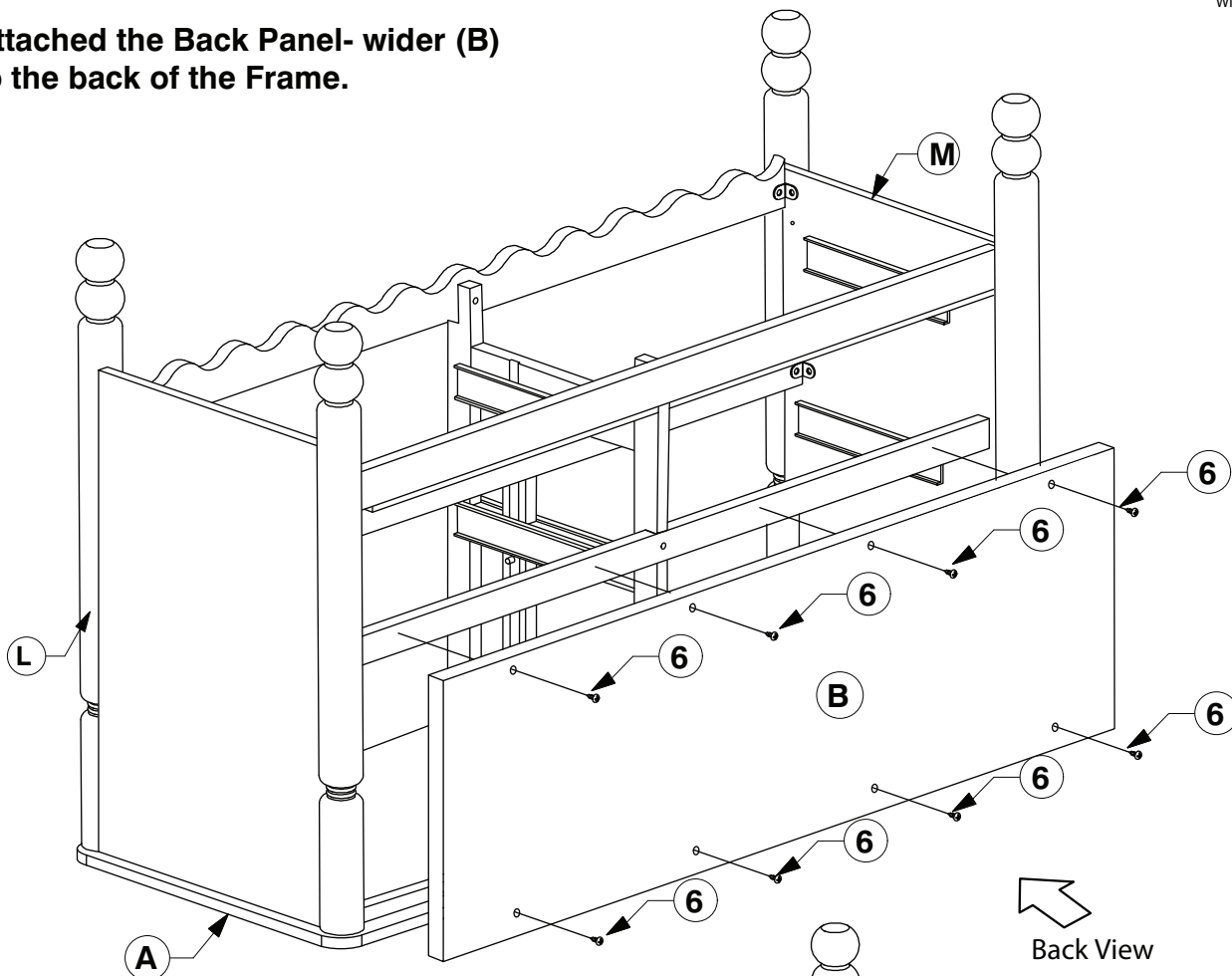


9022 6 Drawer Dresser

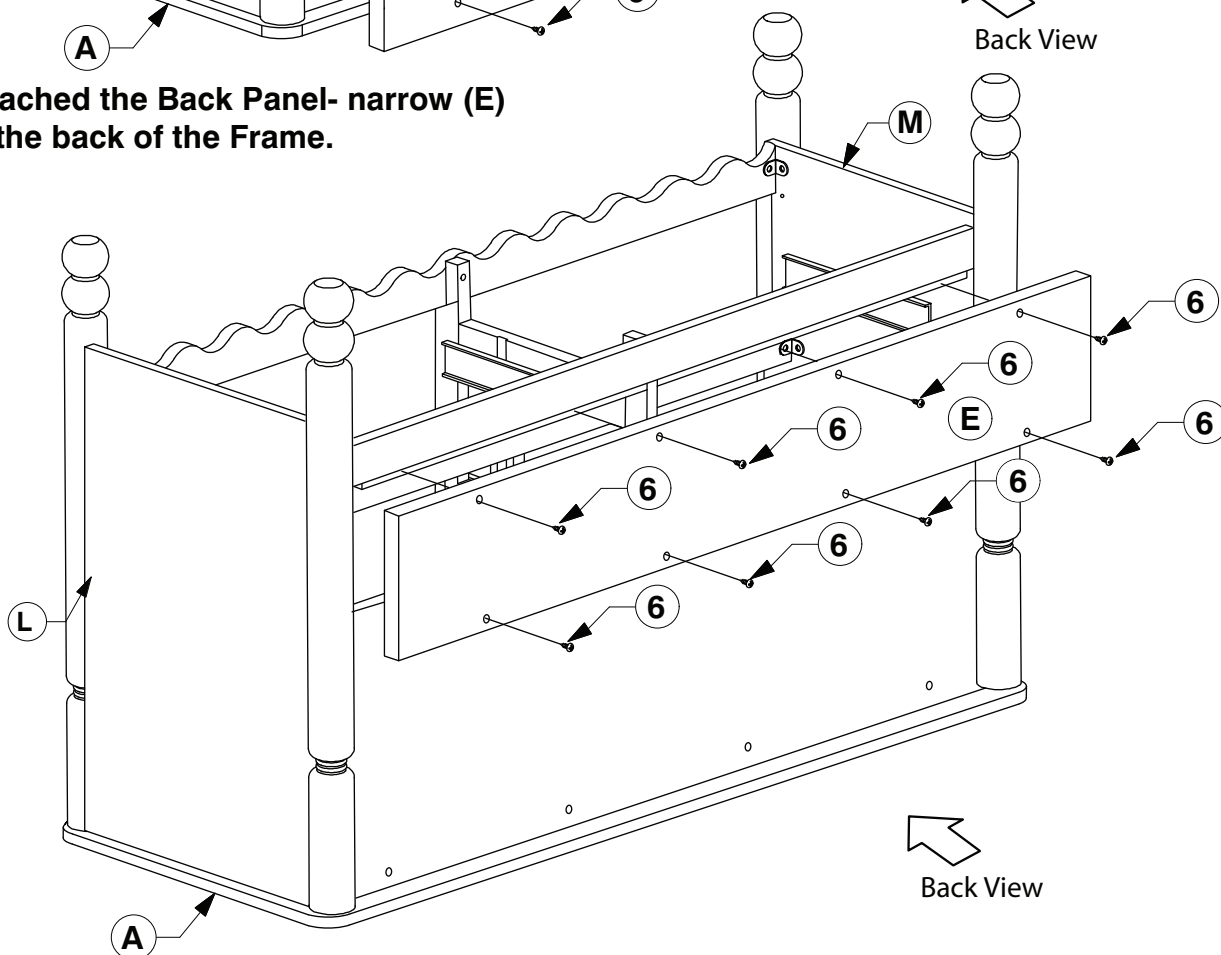
Assembly Instructions

WI-1025

- 8** Attached the Back Panel- wider (B) to the back of the Frame.



- 9** Attached the Back Panel- narrow (E) to the back of the Frame.



9022 6 Drawer Dresser

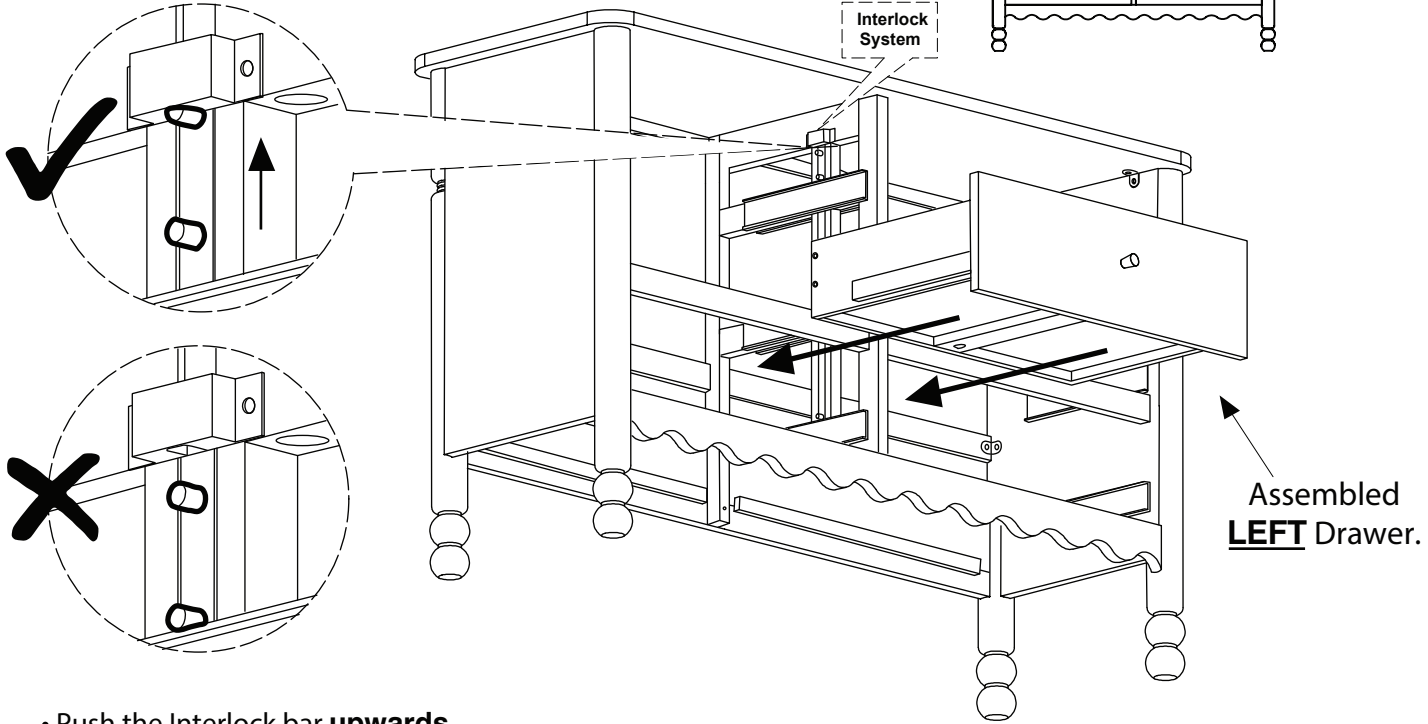
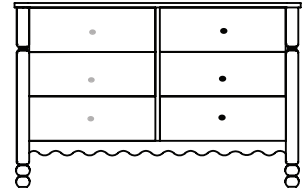
Assembly Instructions

WI-1025

10 Install the Drawers.

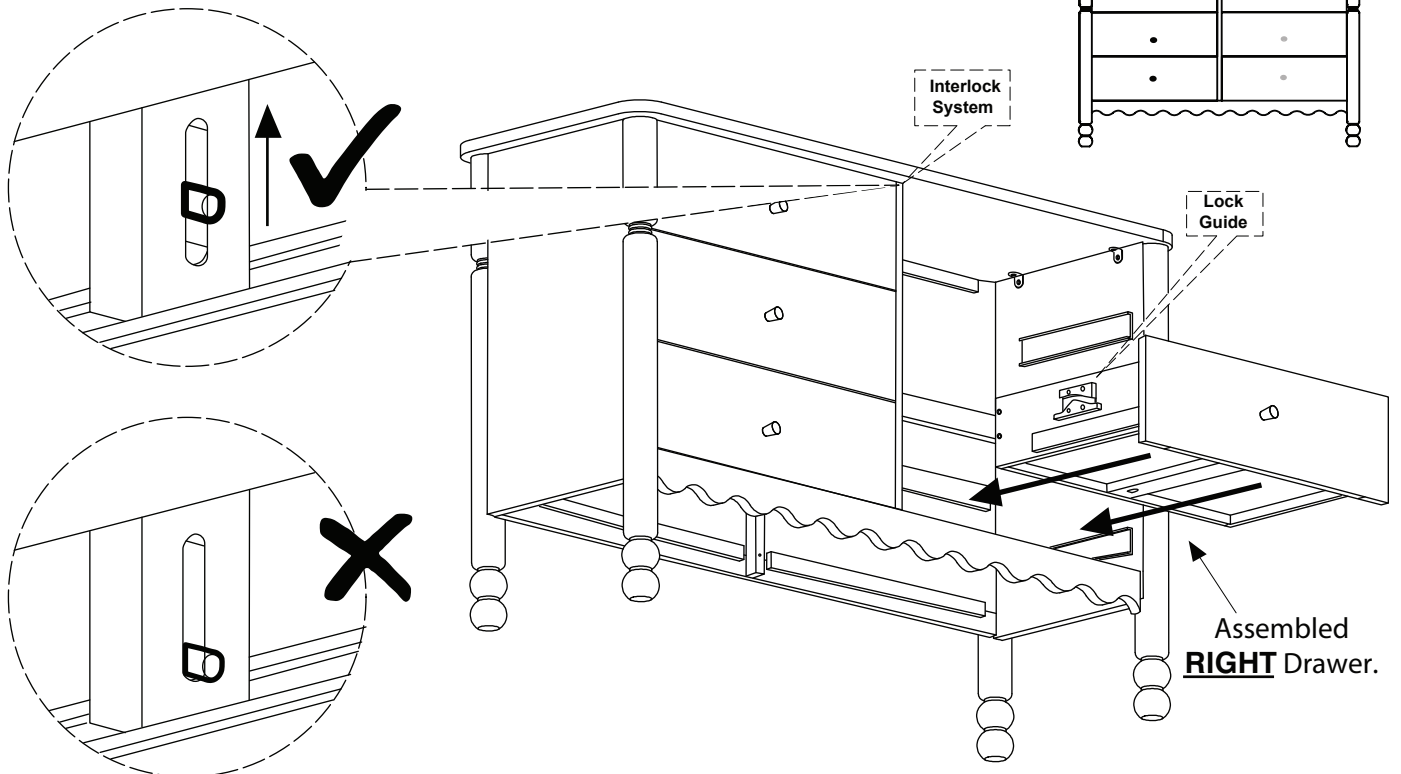
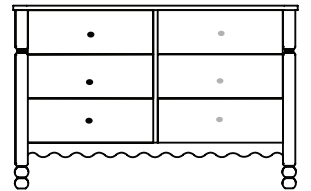
- Push the Interlock bar **upwards** before inserting the drawers.

LEFT



- Push the Interlock bar **upwards** before inserting the drawers.

RIGHT



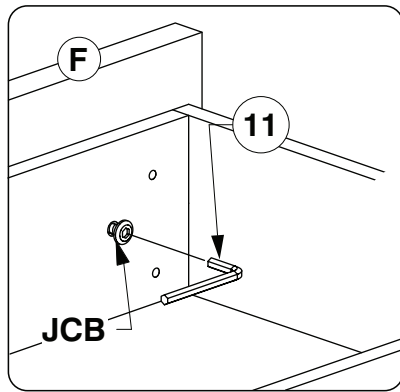
9022 6 Drawer Dresser

Assembly Instructions

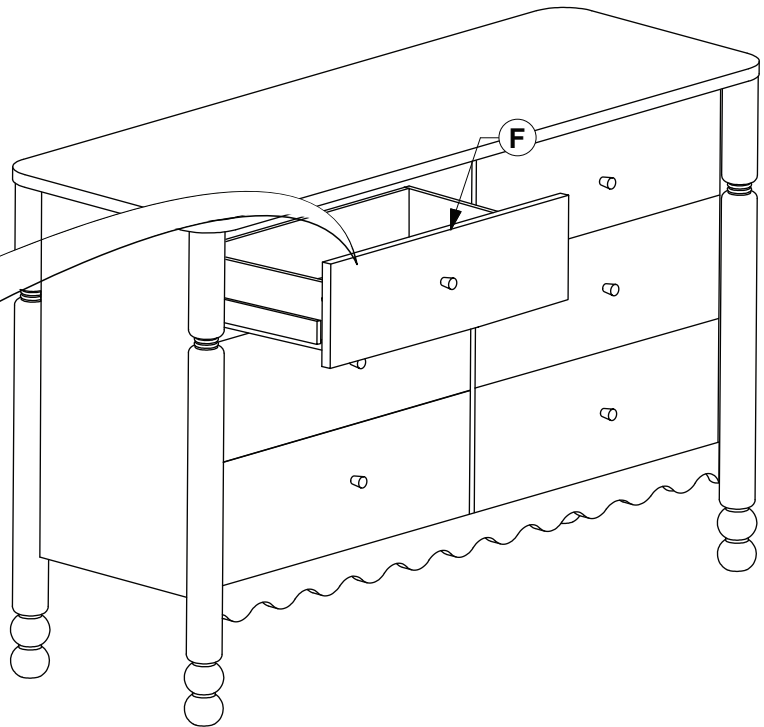
WI-1025

11 Adjust the Drawer Face (F).

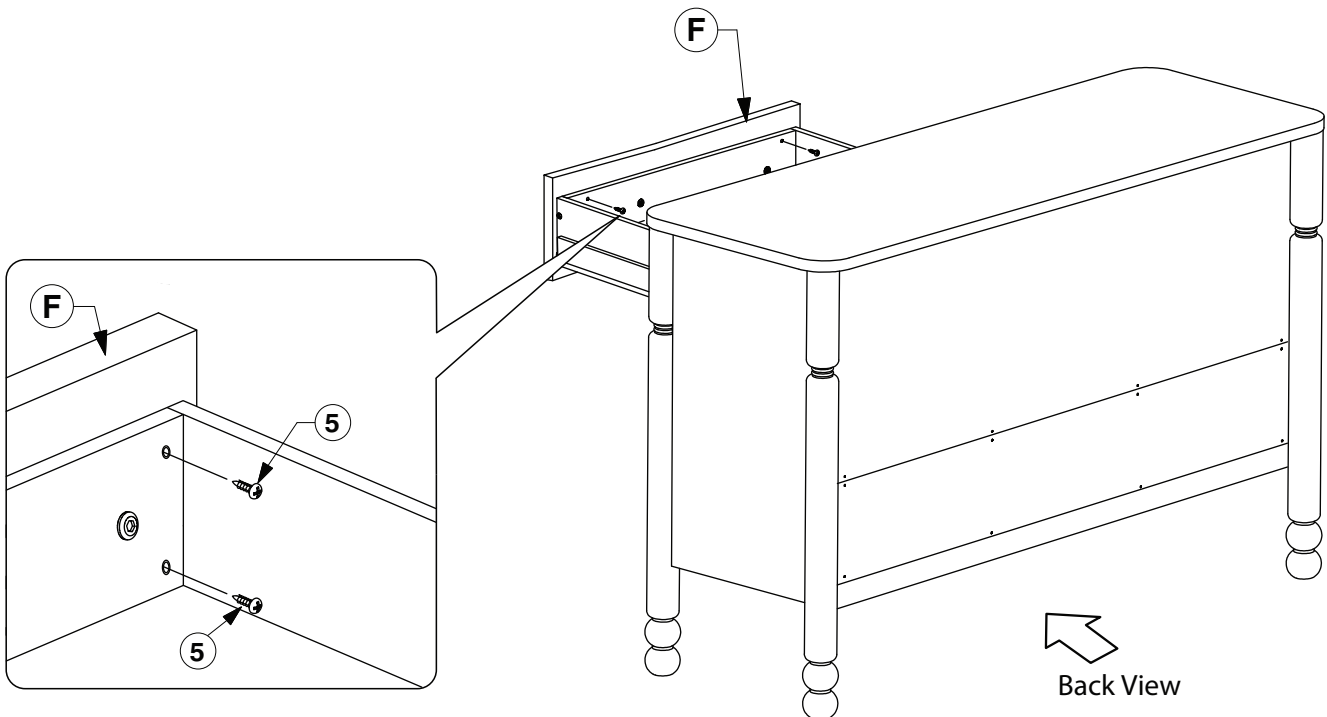
* NOTE: Before fitting the Wood Screws .
Losen the JCBs on the Drawer Face if
the face needs alignment.



* NOTE: Only one Drawer can be open
at a time.



12 After the Drawer Faces (F) are aligned, secure with wood screws.



* NOTE: Only one Drawer can be open
at a time.

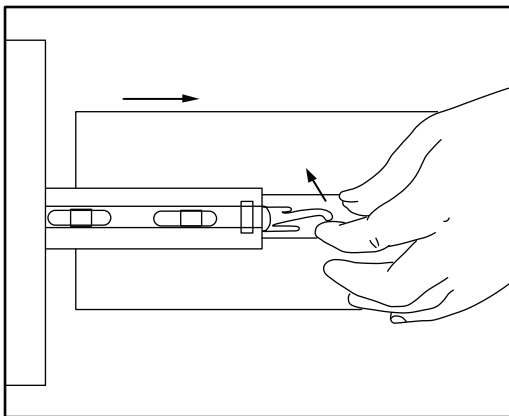
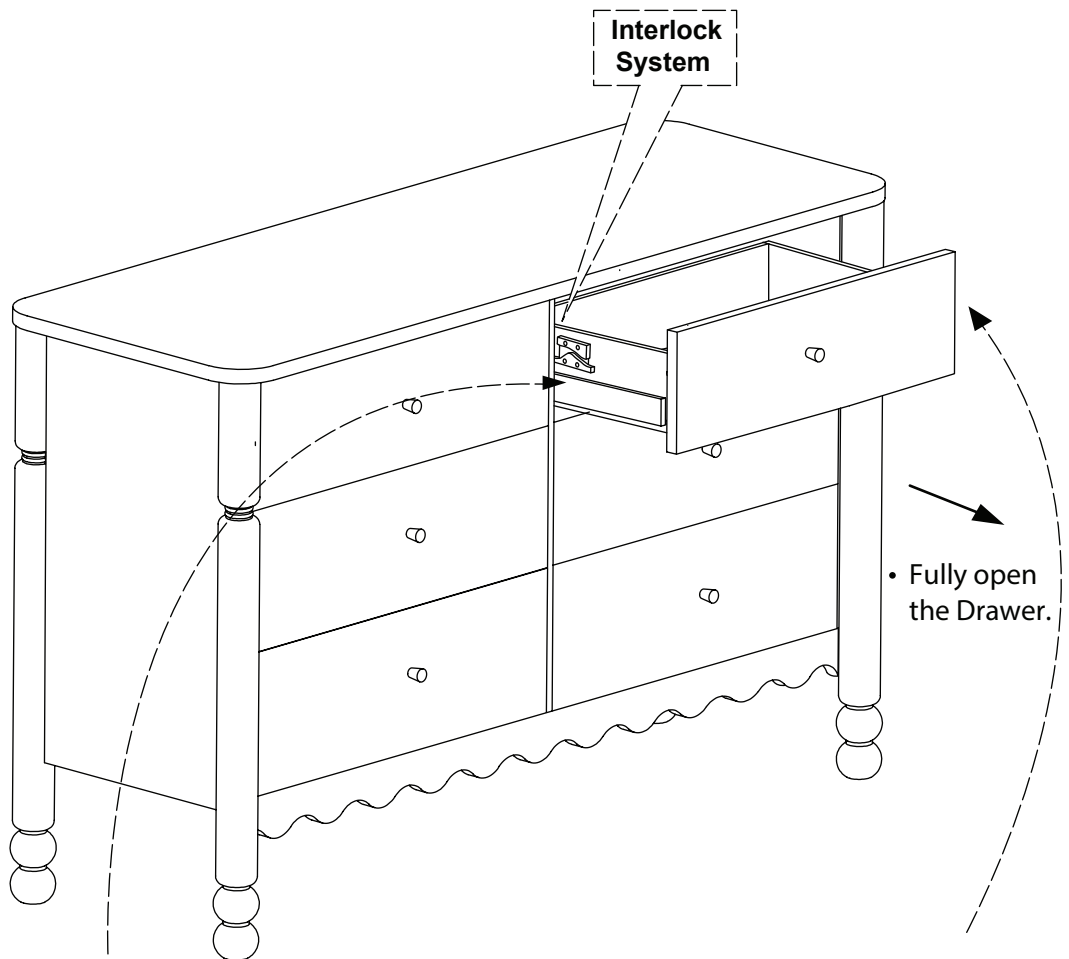
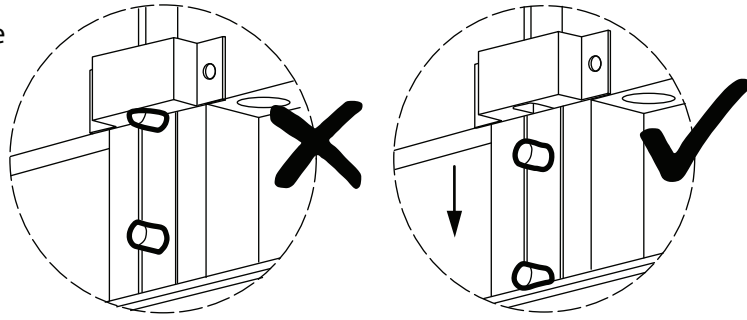
9022 6 Drawer Dresser

Assembly Instructions

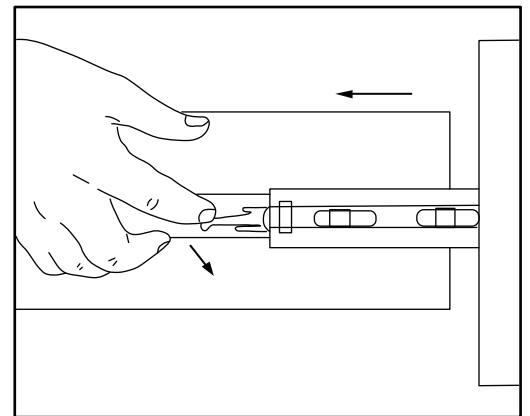
WI-1025

13 Remove the Drawers.

- After removing the top drawer, push the interlock bar **down**. Then remove the lower drawers.



- Lift the **LEFT** side clip up.



- Push the **RIGHT** side clip down.