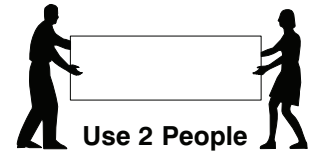
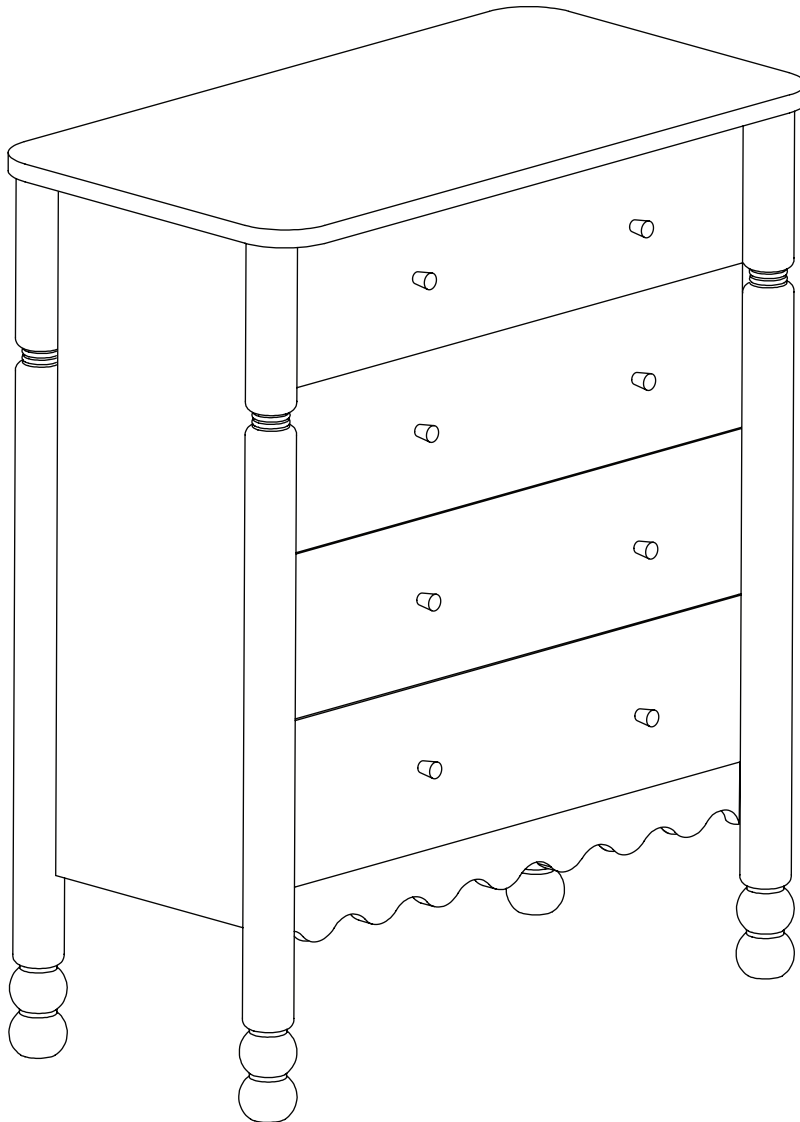


# 9022 4 Drawer Chest

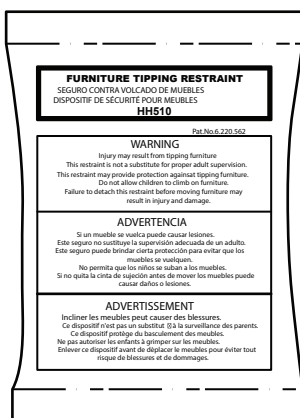
## Assembly Instructions

WI-1025



**Note:** Do not assemble using power tools. This can cause the bolts to be overtightened

### WARNING



Anti Tipping Kit  
Anti Tipping Kit x 1



Children have died from furniture tipover.

To reduce the risk of furniture tipover:

- ALWAYS install anti-tip device provided.
- NEVER put a TV on this product.
- NEVER allow children to stand, climb, or hang on any drawers, doors or shelves.
- NEVER open more than one drawer at a time.
- DO NOT defeat or remove the drawer interlock system; it is an important stability and safety system.
- Place heaviest items in the lowest drawer.

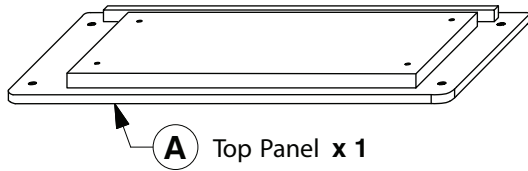
# 9022 4 Drawer Chest

## Assembly Instructions

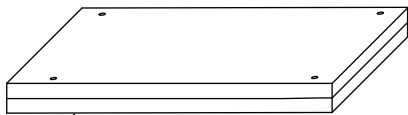
WI-1025

### 1 Parts List

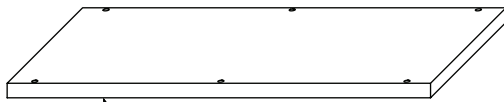
Parts in Box A:



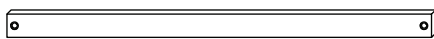
**A** Top Panel x 1



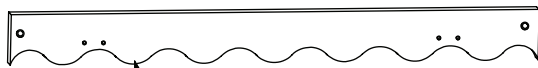
**B** Bottom Panel x 1



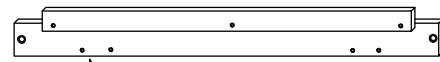
**C** Back Panel x 2



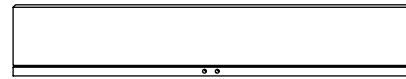
**D** Upper Support Bar x 2



**E** Bottom Front Support Bar x 1



**F** Bottom Rear Support Bar x 1



**G** Drawer Back x 4



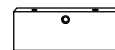
**H** Drawer Bottom x 4



**J** Drawer Face x 4

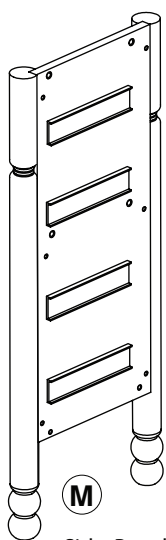


**K** Drawer Rail x 4

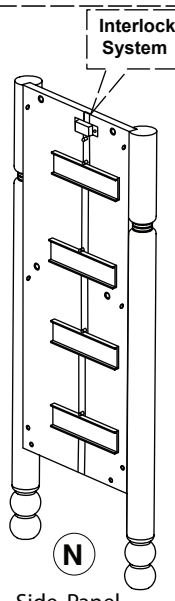


**L** Bottom Support x 4

Parts in Box B:

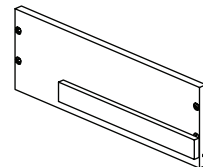


**M** Side Panel (Left Hand) x 1

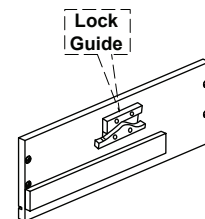


**N** Side Panel (Right Hand) x 1

**O** Drawer Side (Left Hand) x 4



**P** Drawer Side (Right Hand) x 4

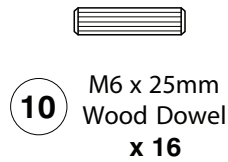
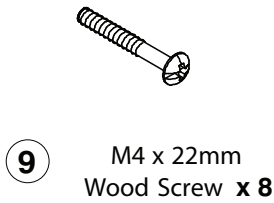
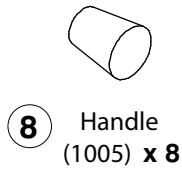
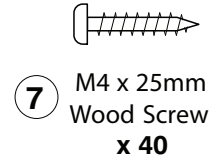
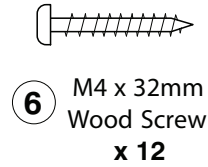
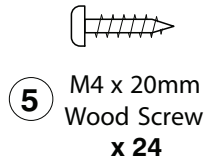
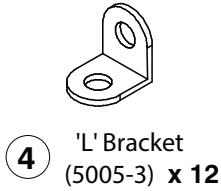
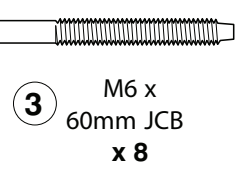
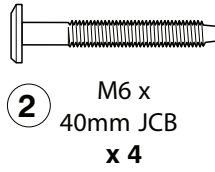
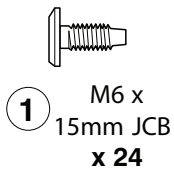


# 9022 4 Drawer Chest

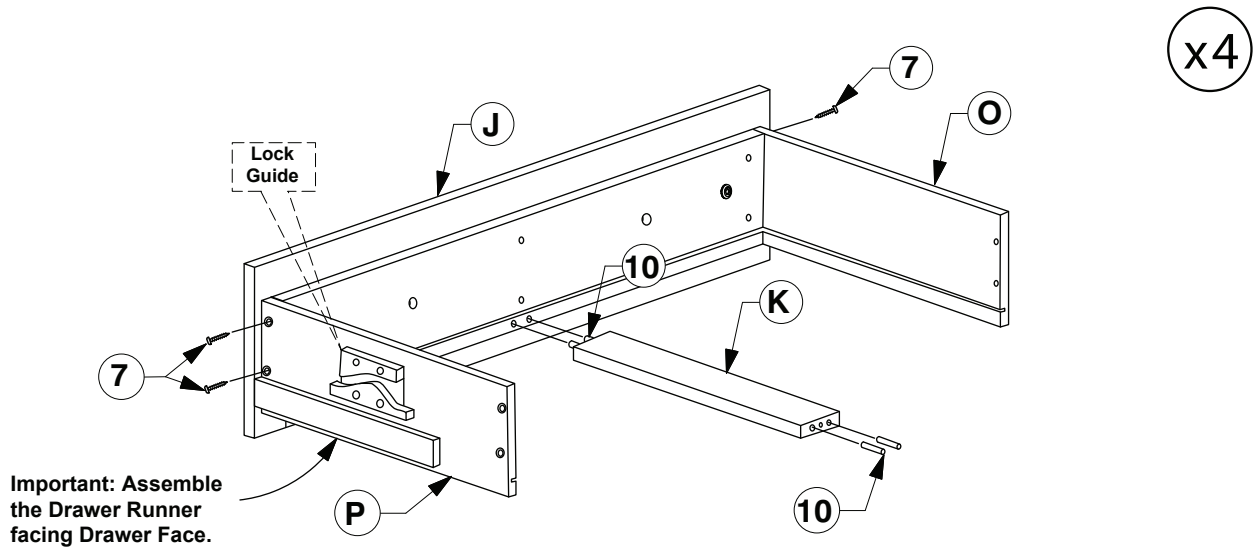
## Assembly Instructions

WI-1025

### 2 Hardware List



### 3 Assemble the Drawer Sides (O & P) & Drawer Rail (K) to the Drawer Face (J).



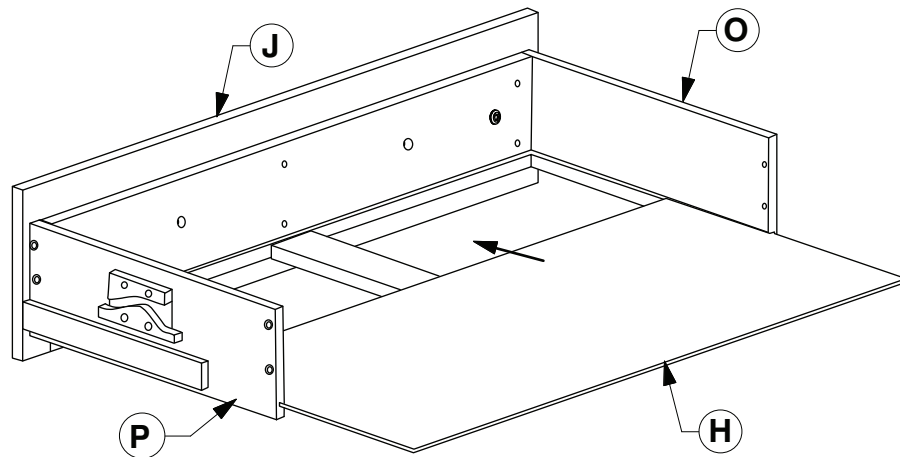
# 9022 4 Drawer Chest

## Assembly Instructions

WI-1025

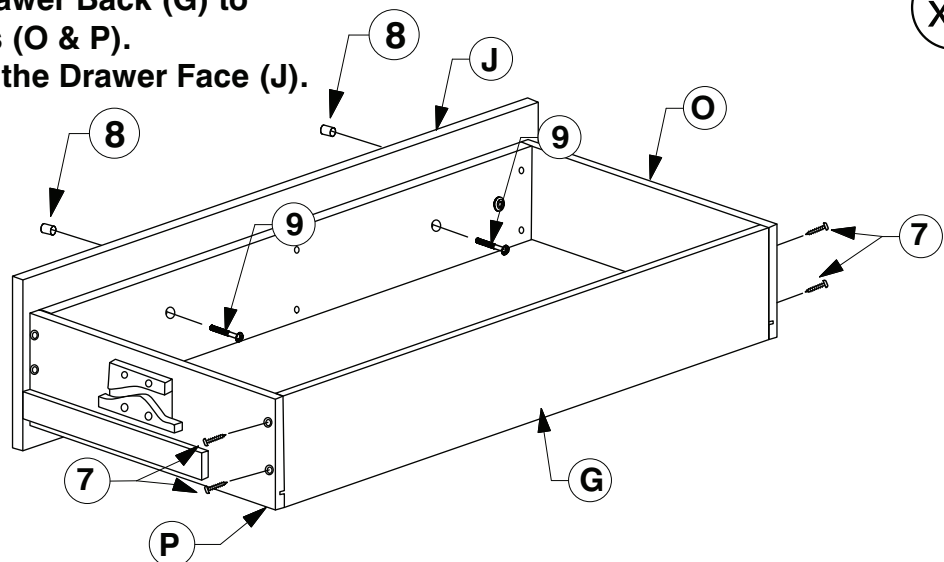
- 4** Slide the Drawer Bottom (H) into the groove on the Drawer Sides (O & P).

x4



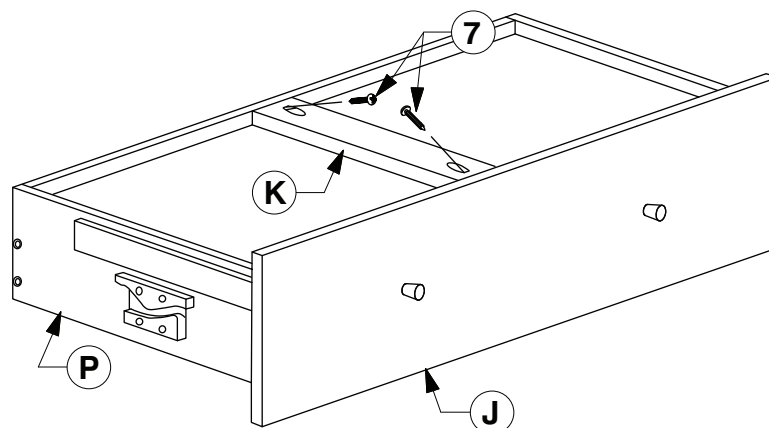
- 5** Assemble the Drawer Back (G) to the Drawer Sides (O & P). Fit the Handle to the Drawer Face (J).

x4



- 6** Turn the Drawer over to fit angled 25mm Wood screws (7) to the Drawer Rail (K).

x4

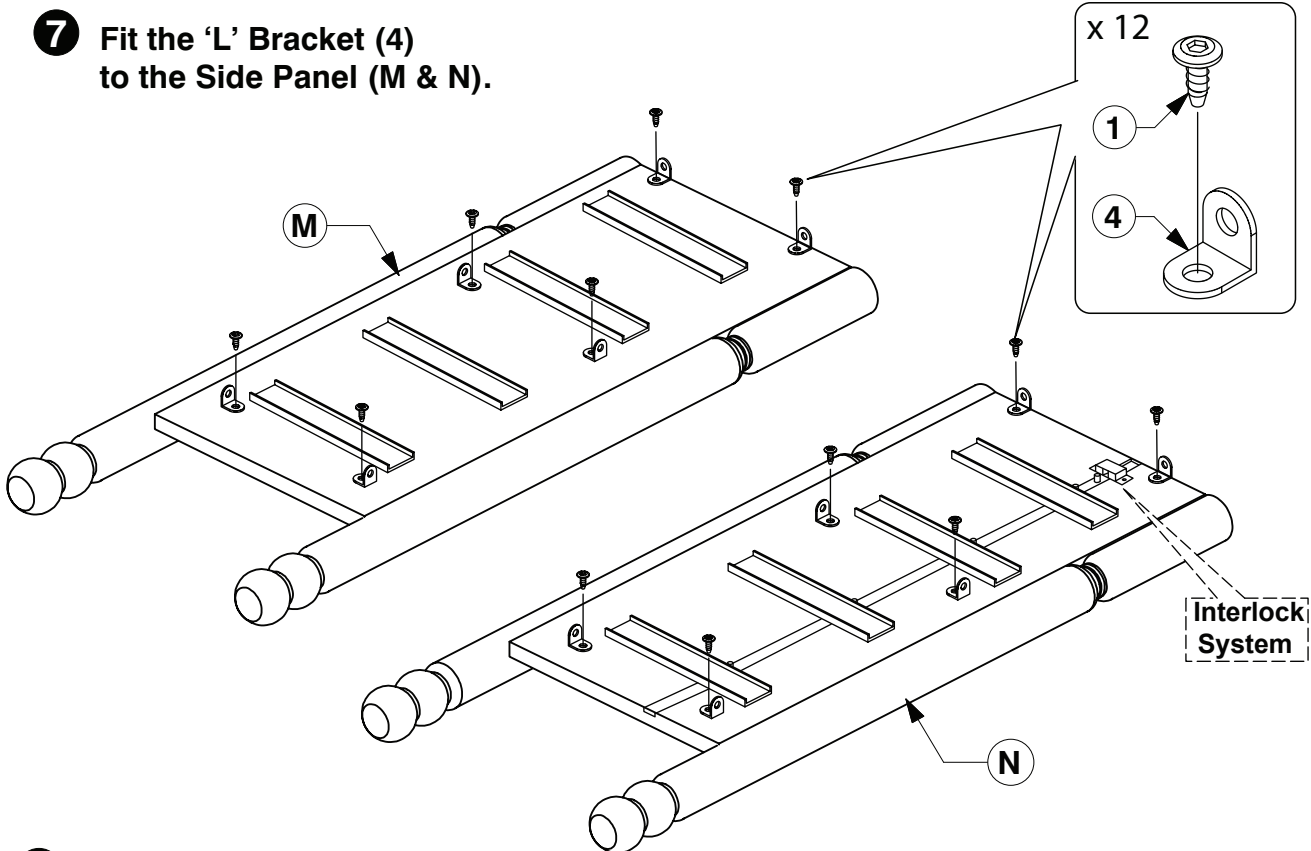


# 9022 4 Drawer Chest

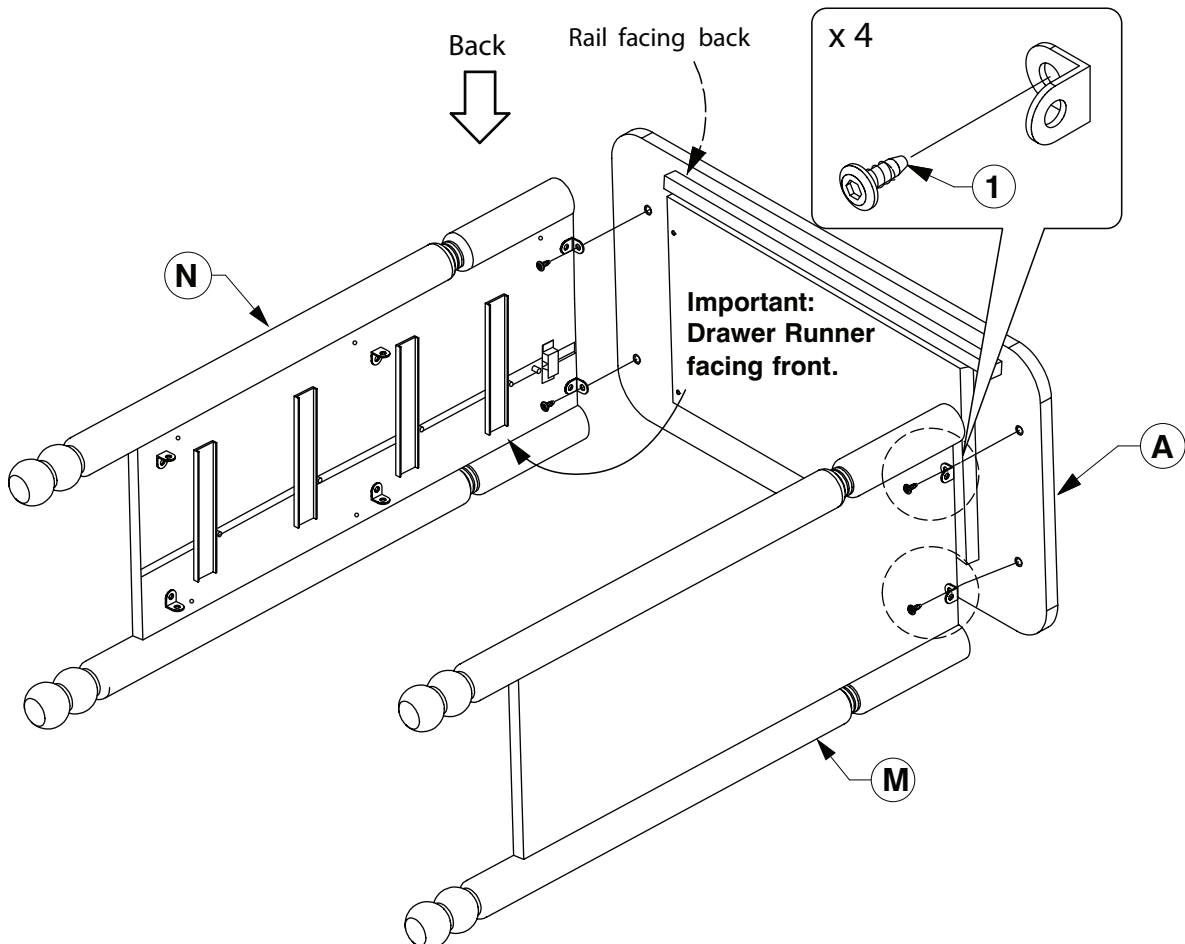
## Assembly Instructions

WI-1025

- 7** Fit the 'L' Bracket (4) to the Side Panel (M & N).



- 8** Assembled the Top Panel (A) to the Side Panel (M & N).

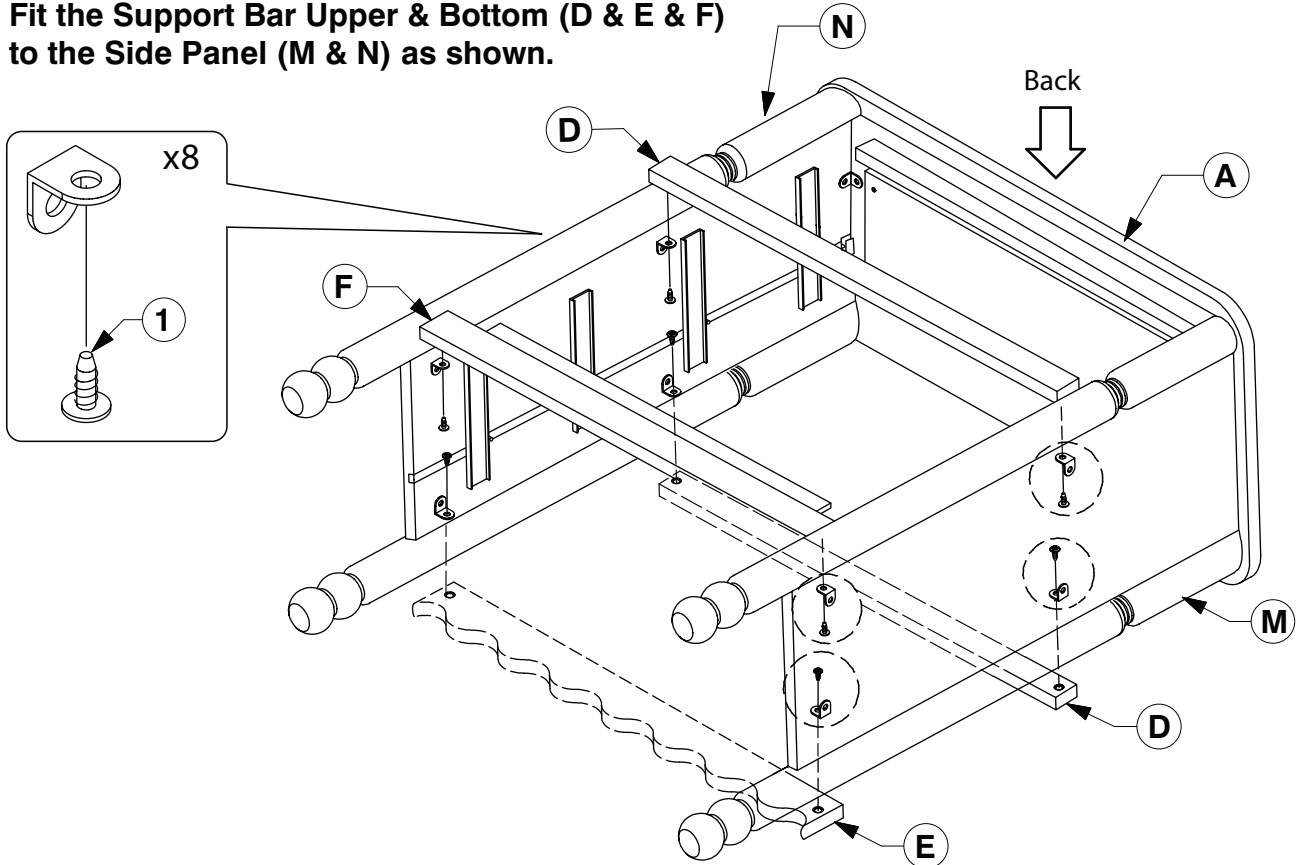


# 9022 4 Drawer Chest

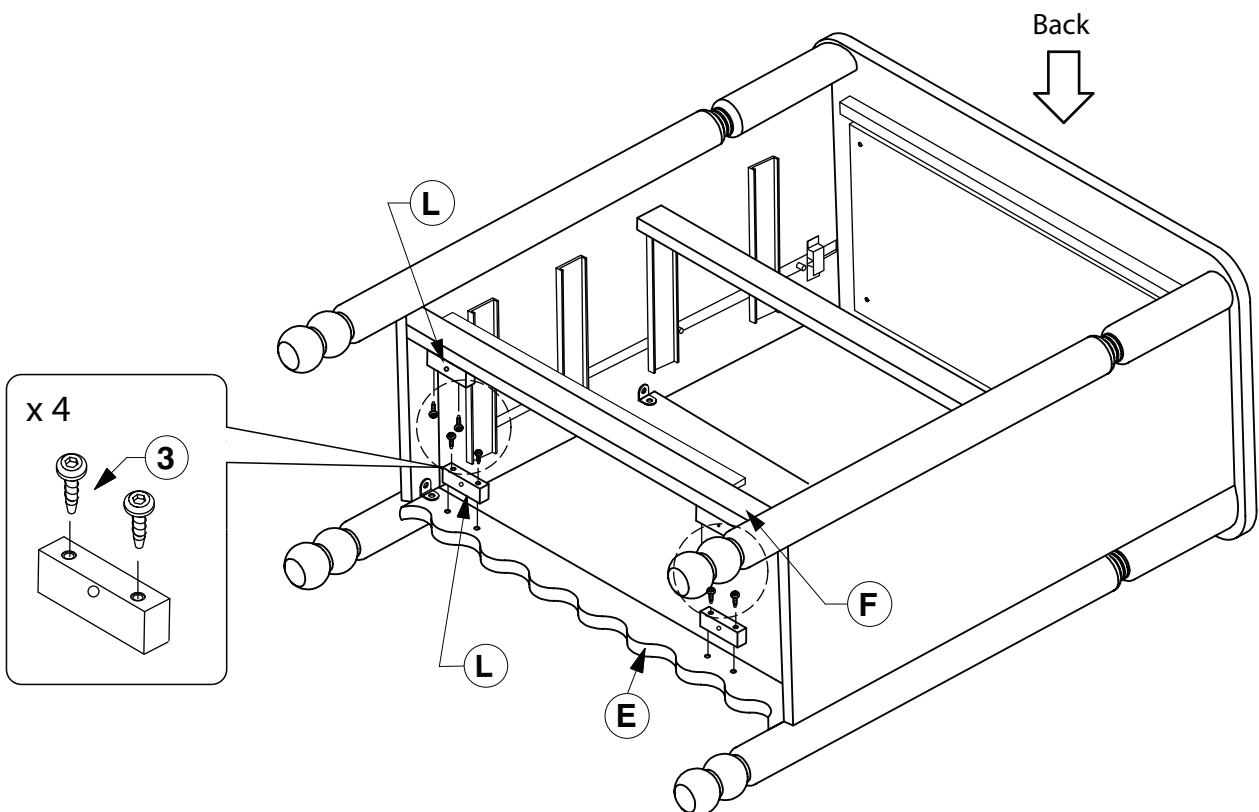
## Assembly Instructions

WI-1025

- 9** Fit the Support Bar Upper & Bottom (D & E & F) to the Side Panel (M & N) as shown.



- 10** Assembled the Bottom Support (L) to the Bottom Front & Rear Support Bar (E & F) as shown.

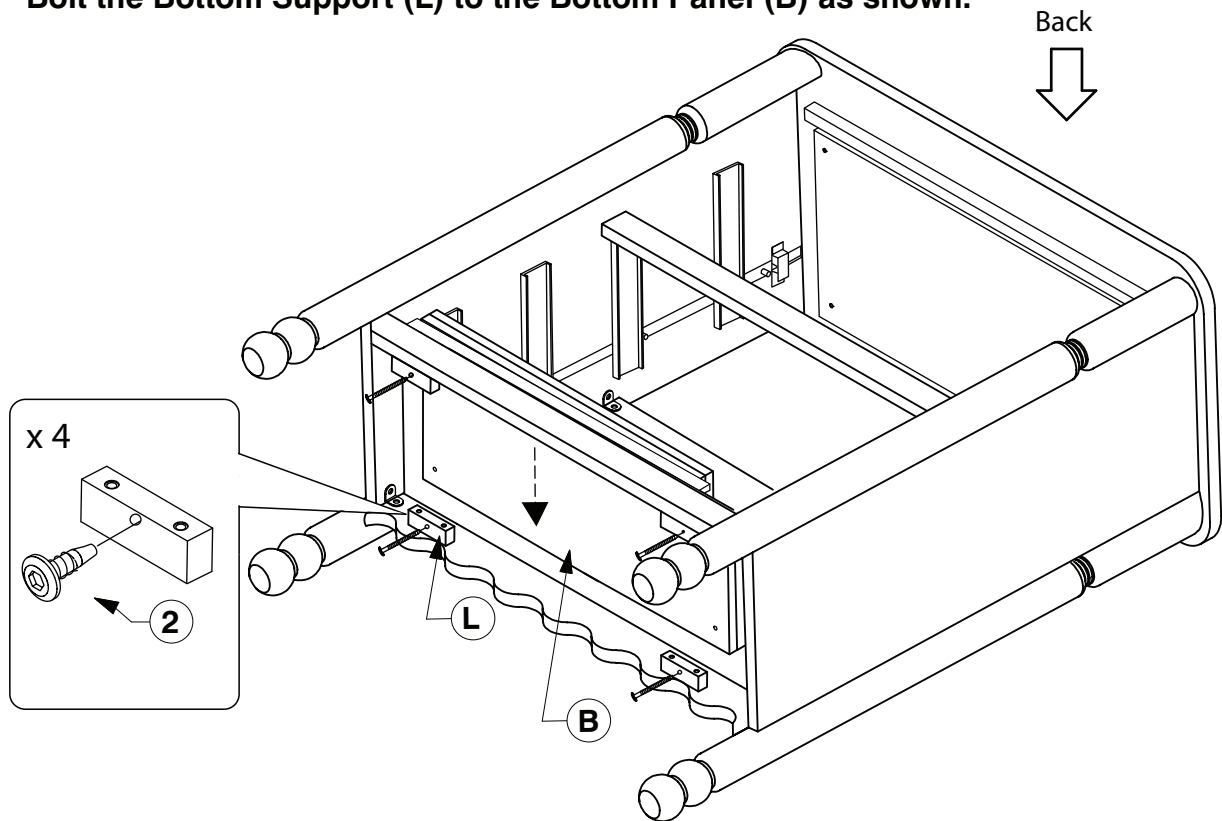


# 9022 4 Drawer Chest

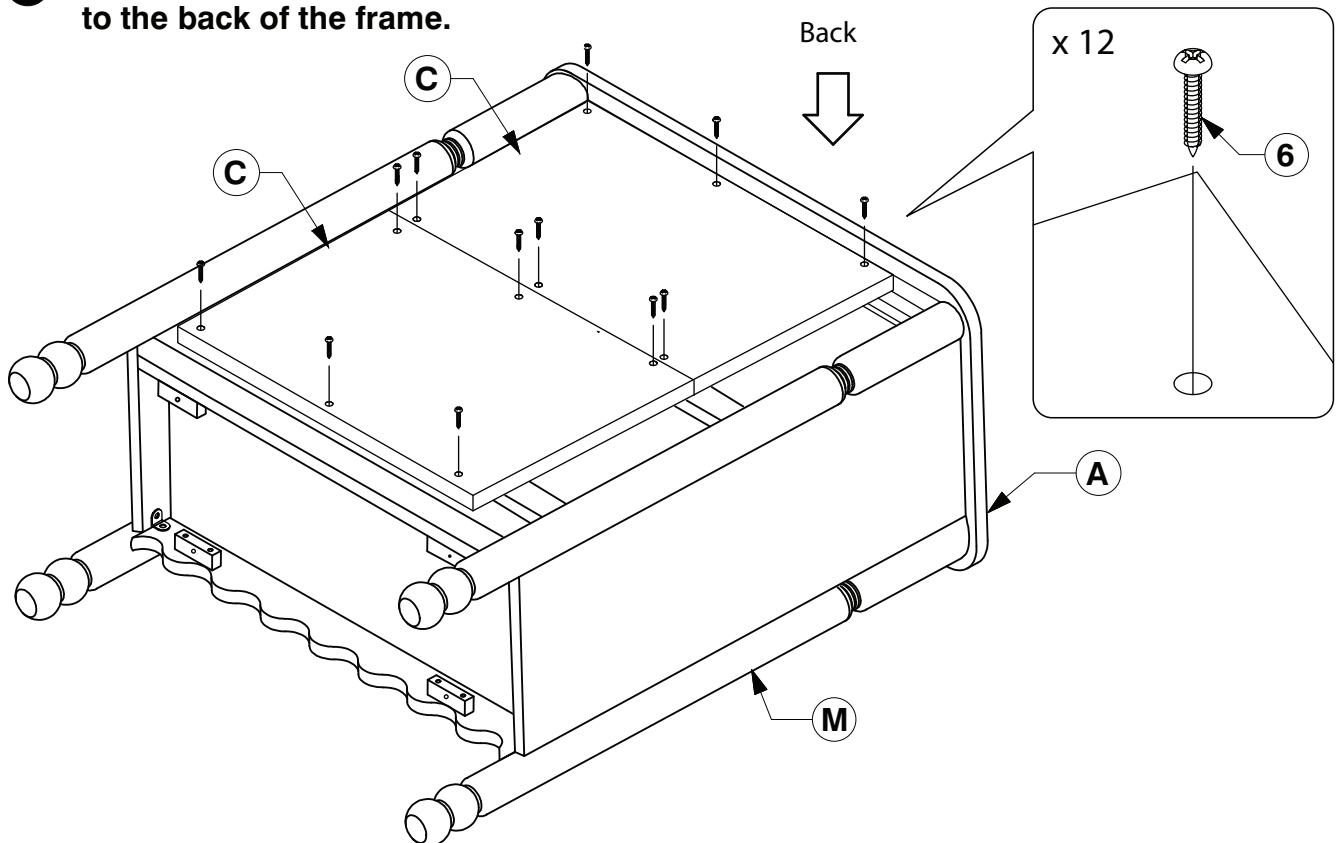
## Assembly Instructions

WI-1025

- 11** Bolt the Bottom Support (L) to the Bottom Panel (B) as shown.



- 12** Attached the Back Panel (C) to the back of the frame.



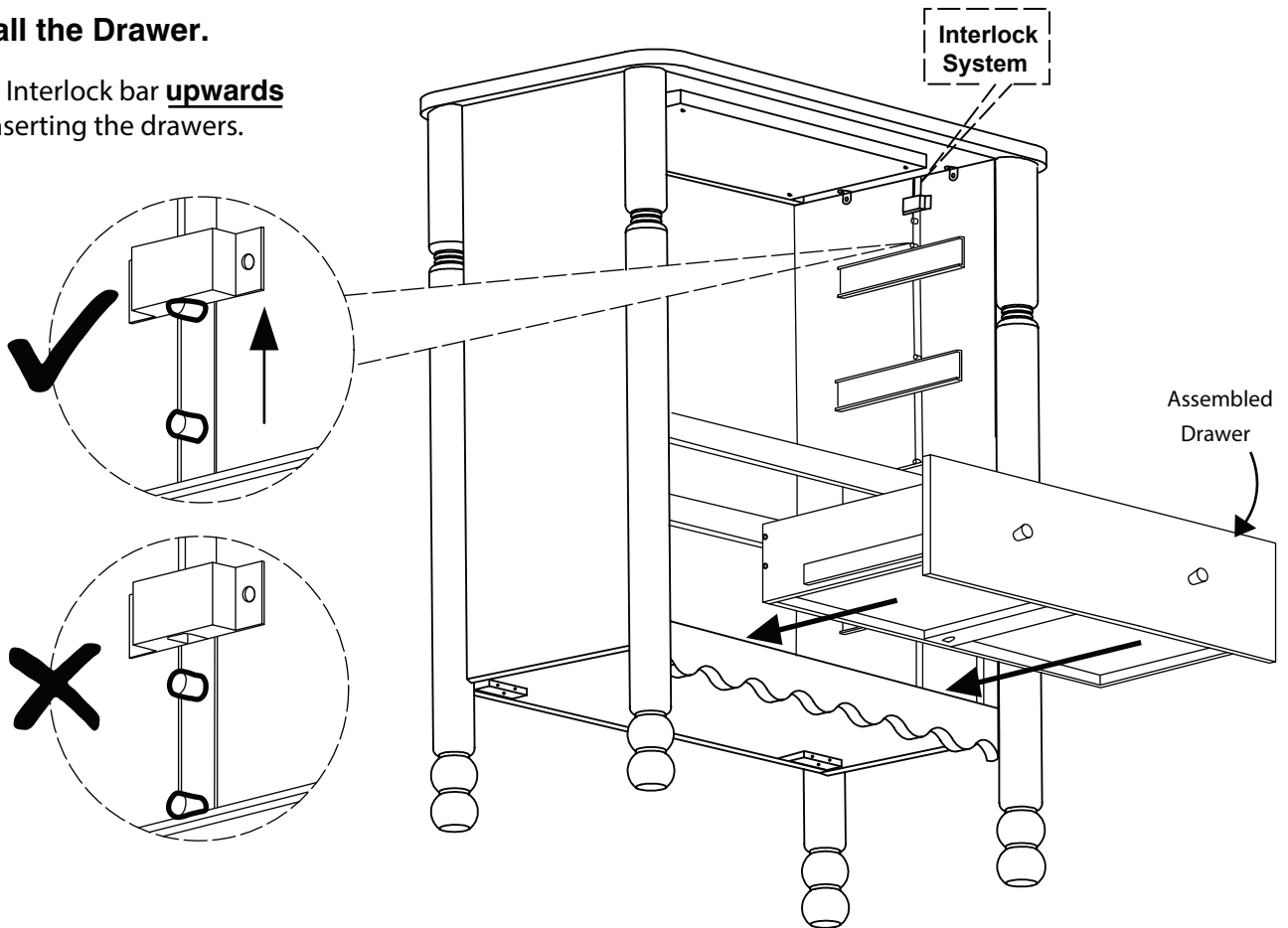
# 9022 4 Drawer Chest

## Assembly Instructions

WI-1025

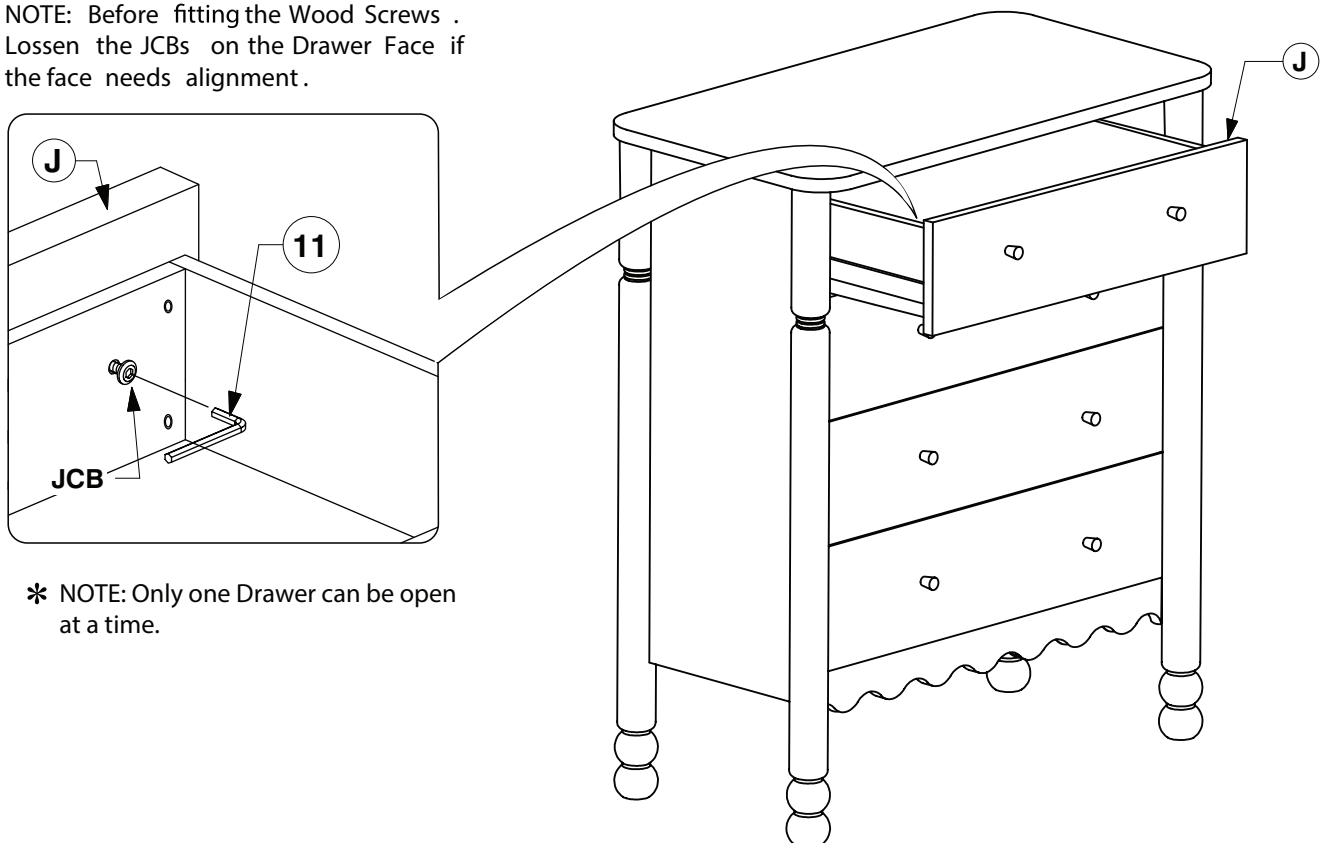
### 13 Install the Drawer.

- Push the Interlock bar **upwards** before inserting the drawers.



### 14 Fit and adjust the Drawer Face (J).

- \* NOTE: Before fitting the Wood Screws .  
Losen the JCBs on the Drawer Face if the face needs alignment.

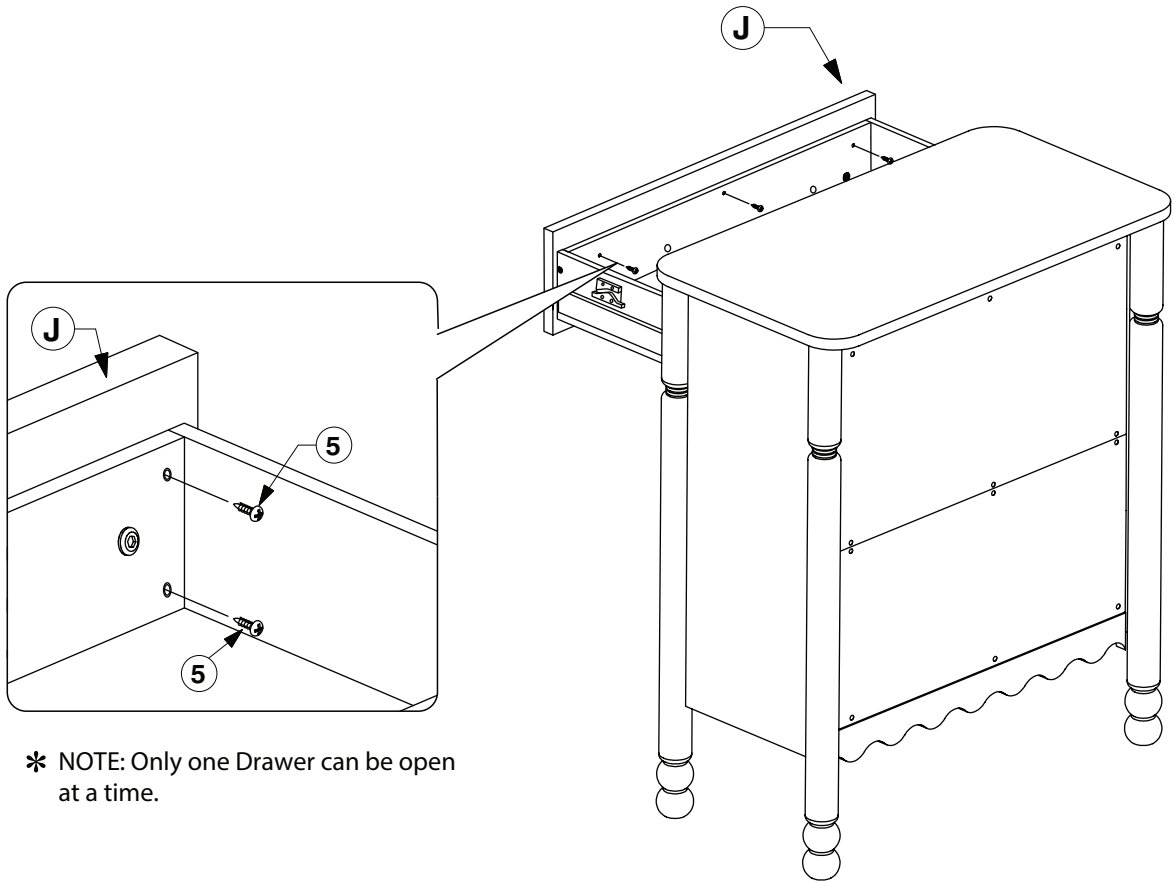


# 9022 4 Drawer Chest

## Assembly Instructions

WI-1025

- 15** After the Drawer Faces (J) are aligned, secure with wood screws.



\* NOTE: Only one Drawer can be open at a time.

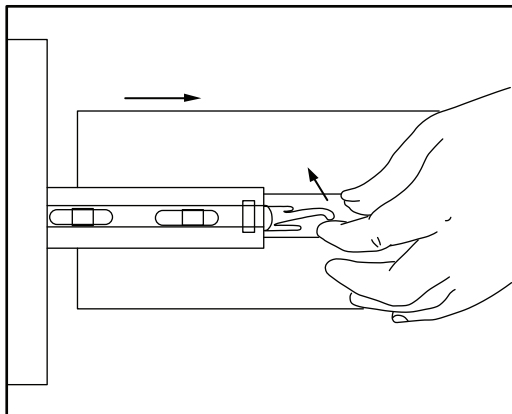
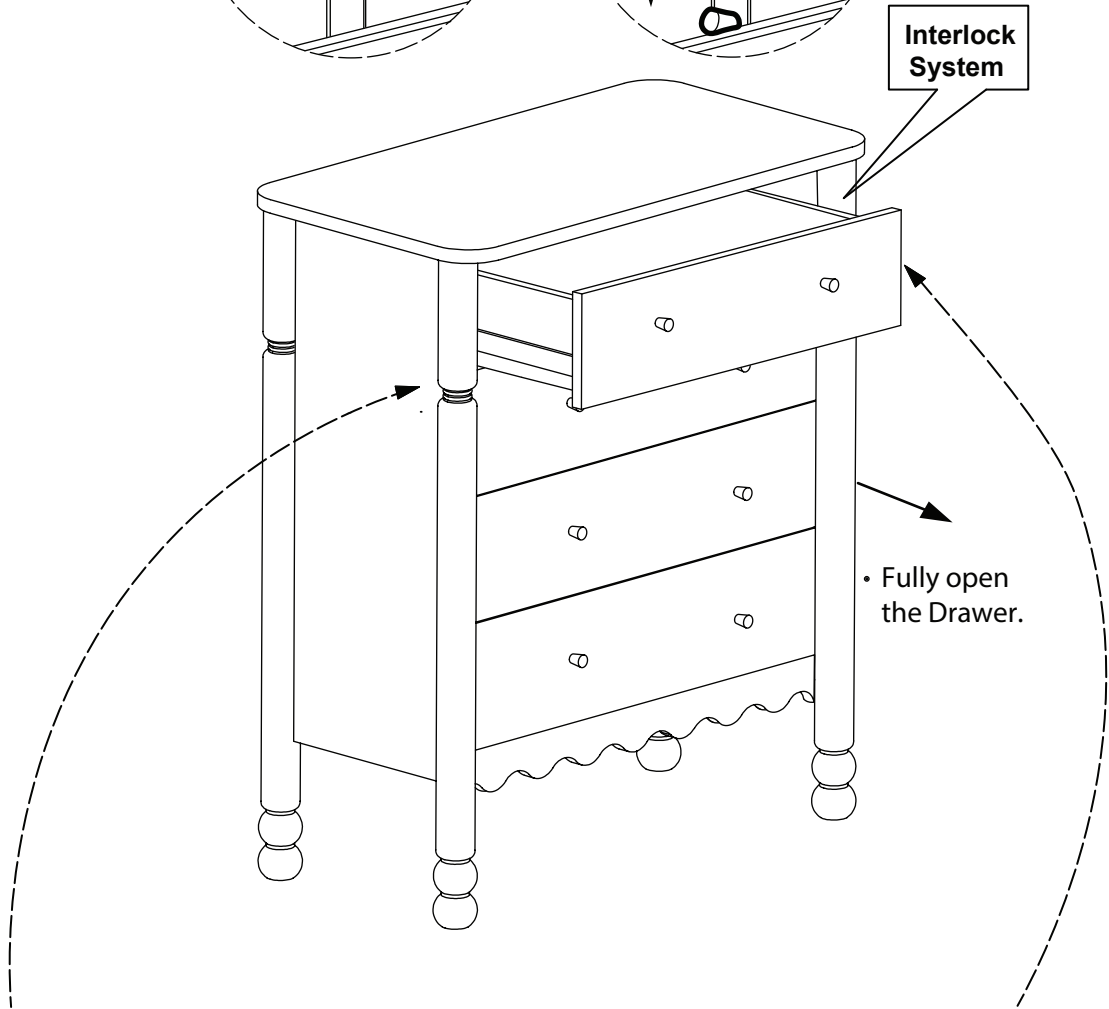
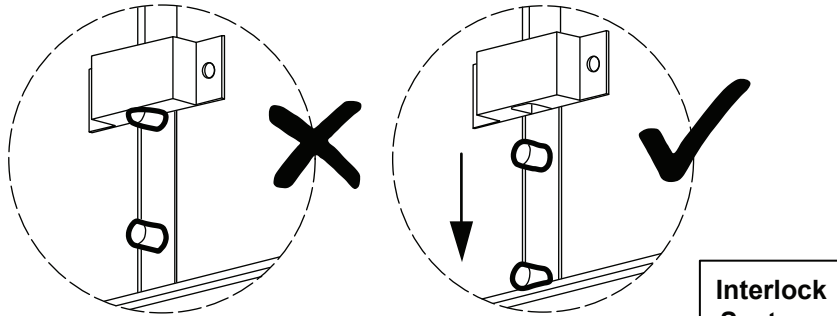
# 9022 4 Drawer Chest

## Assembly Instructions

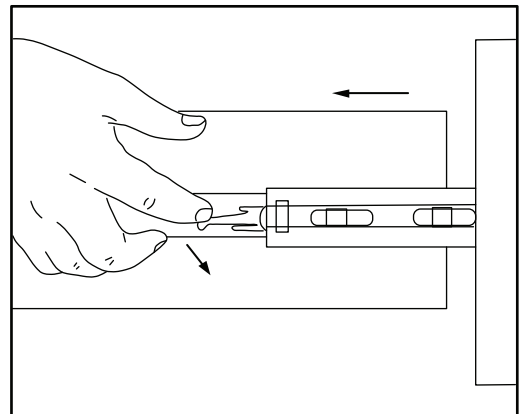
WI-1025

### 16 Remove the Drawers.

- After removing the top drawer, push the interlock bar **down**. Then remove the lower drawers.



- Lift the **LEFT** side clip **up**.



- Push the **RIGHT** side clip **down**.