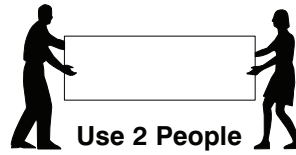
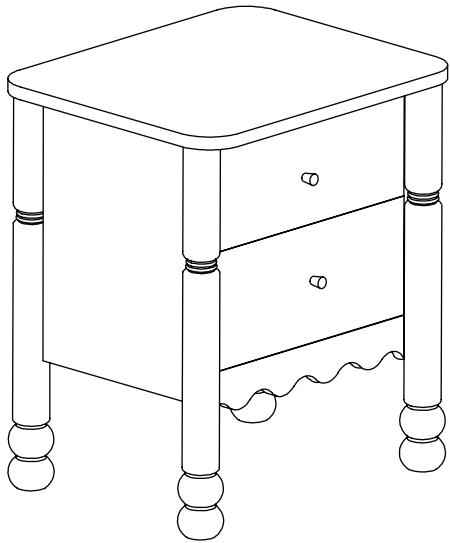


9022 2 Drawer Night Stand

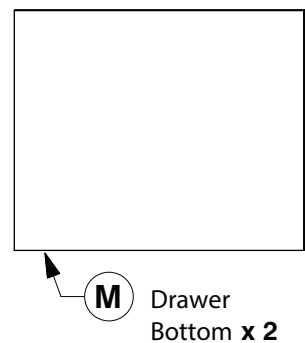
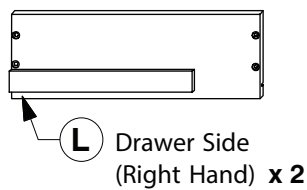
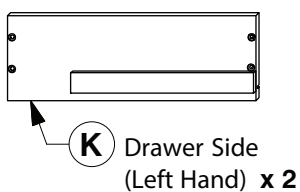
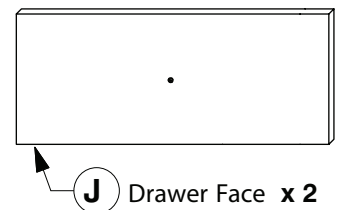
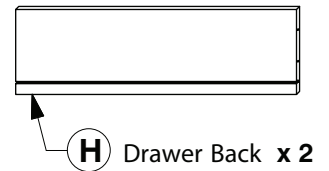
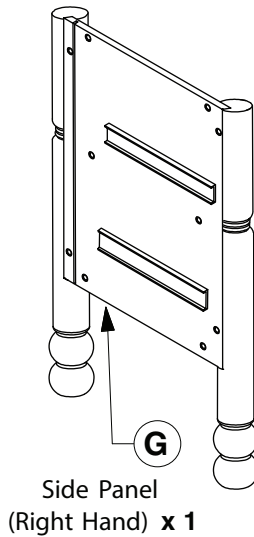
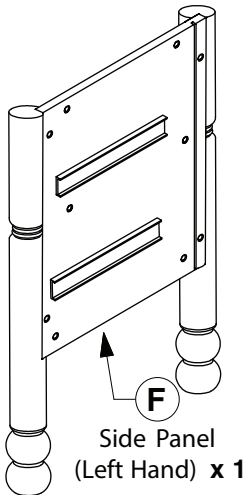
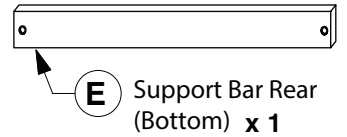
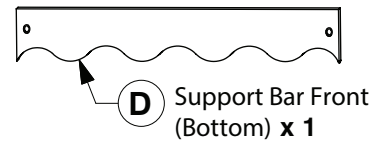
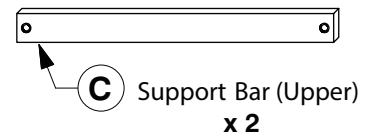
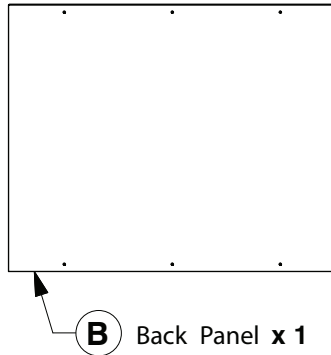
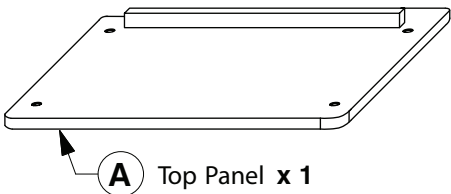
Assembly Instructions

WI-1025



Note: Do not assemble using power tools. This can cause the bolts to be overtightened

1 Parts List


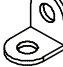
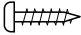
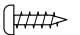
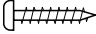
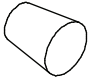
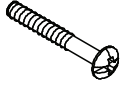



9022 2 Drawer Night Stand

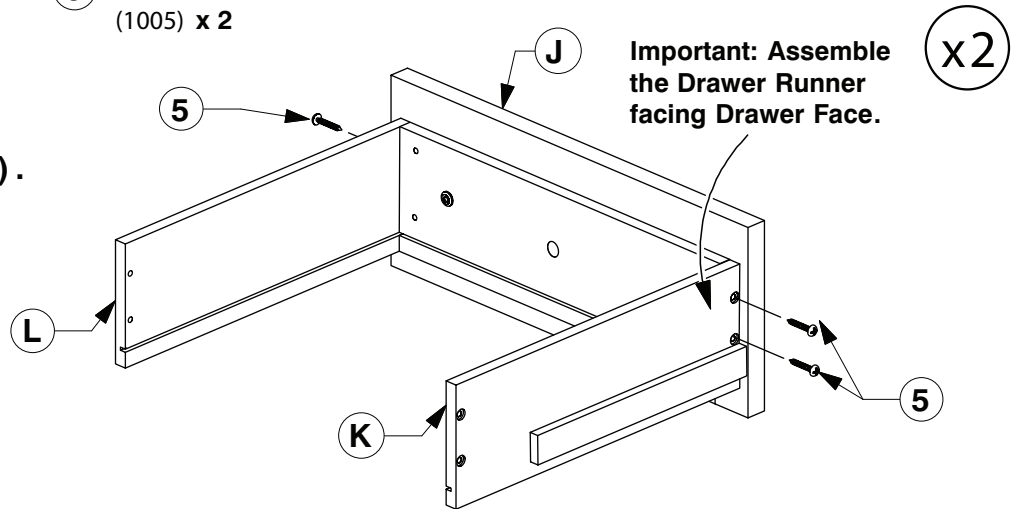
Assembly Instructions

WI-1025

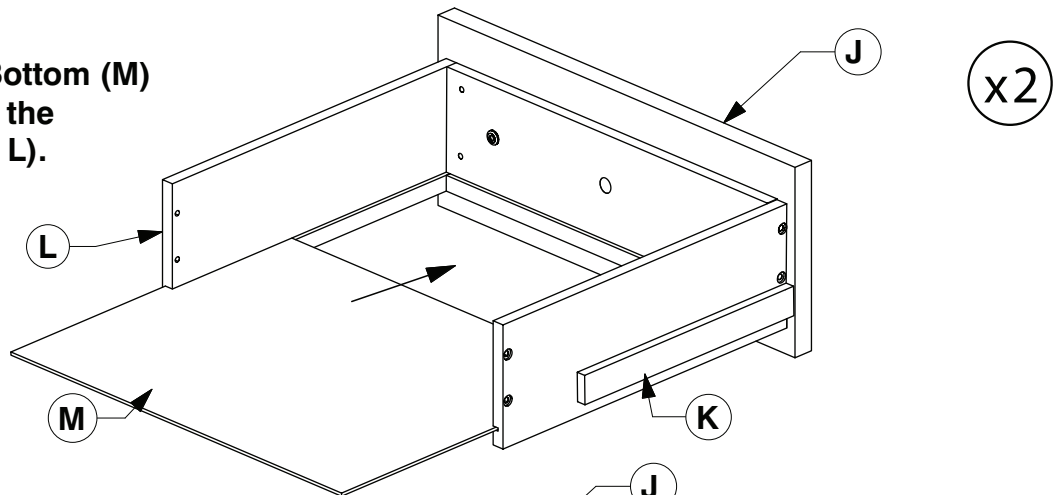
2 Hardware List

-  **1** M6 x 15mm JCB x 24
-  **2** 'L' Bracket (5005-3) x 12
-  **3** M4 x 20mm Wood Screw x 8
-  **4** M4 x 16mm Wood Screw x 6
-  **5** M4 x 25mm Wood Screw x 16
-  **6** Handle (1005) x 2
-  **7** M4 x 22mm Wood Screw x 2
-  **8** Allen Key x 1

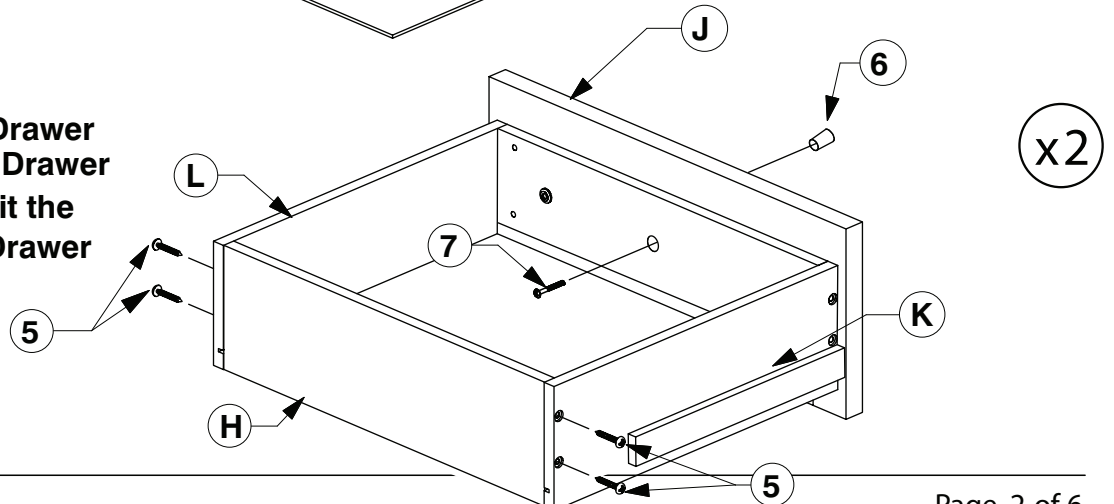
3 Assemble the Drawer Sides (K & L) to the Drawer Face (J).



4 Slide the Drawer Bottom (M) into the groove on the Drawer Sides (K & L).



5 Assemble the Drawer Back (H) to the Drawer Sides (K & L). Fit the Handle (J) to the Drawer Face (J).

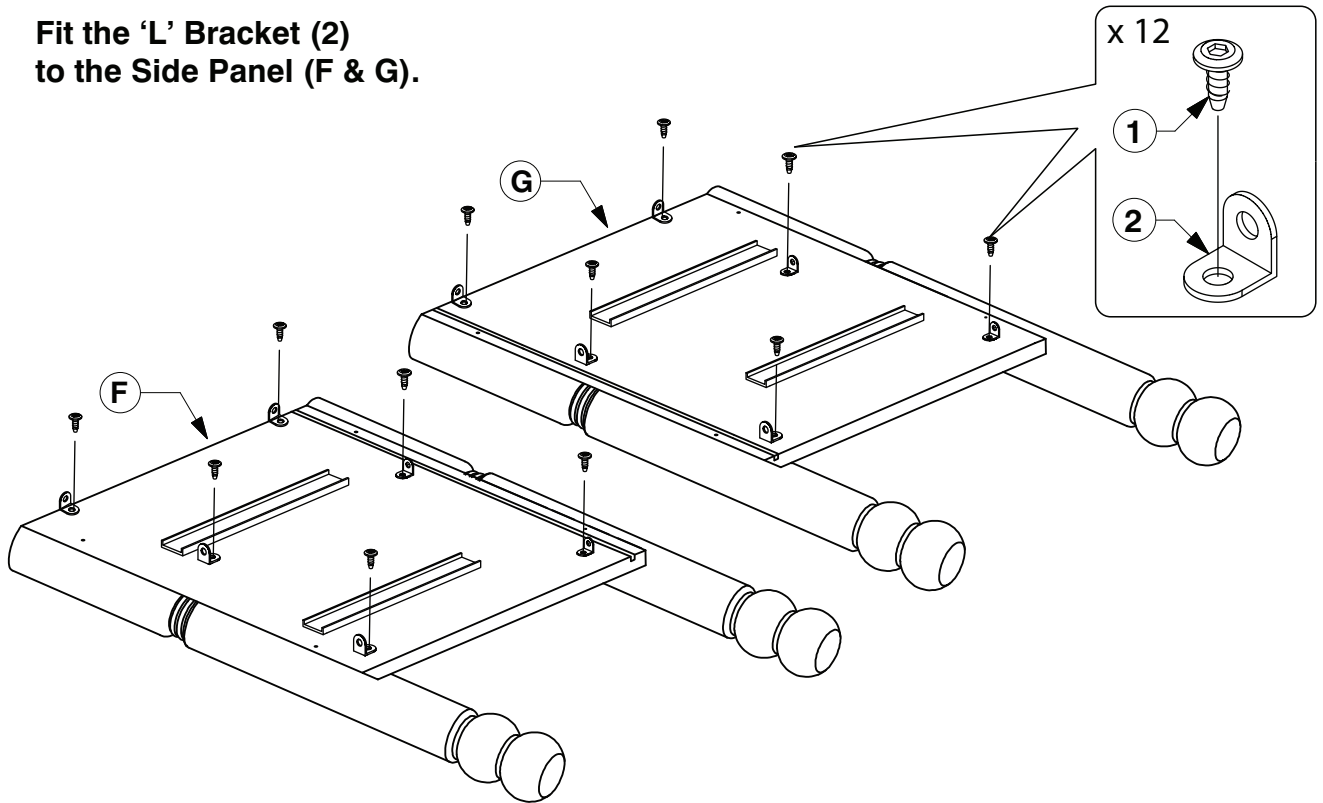


9022 2 Drawer Night Stand

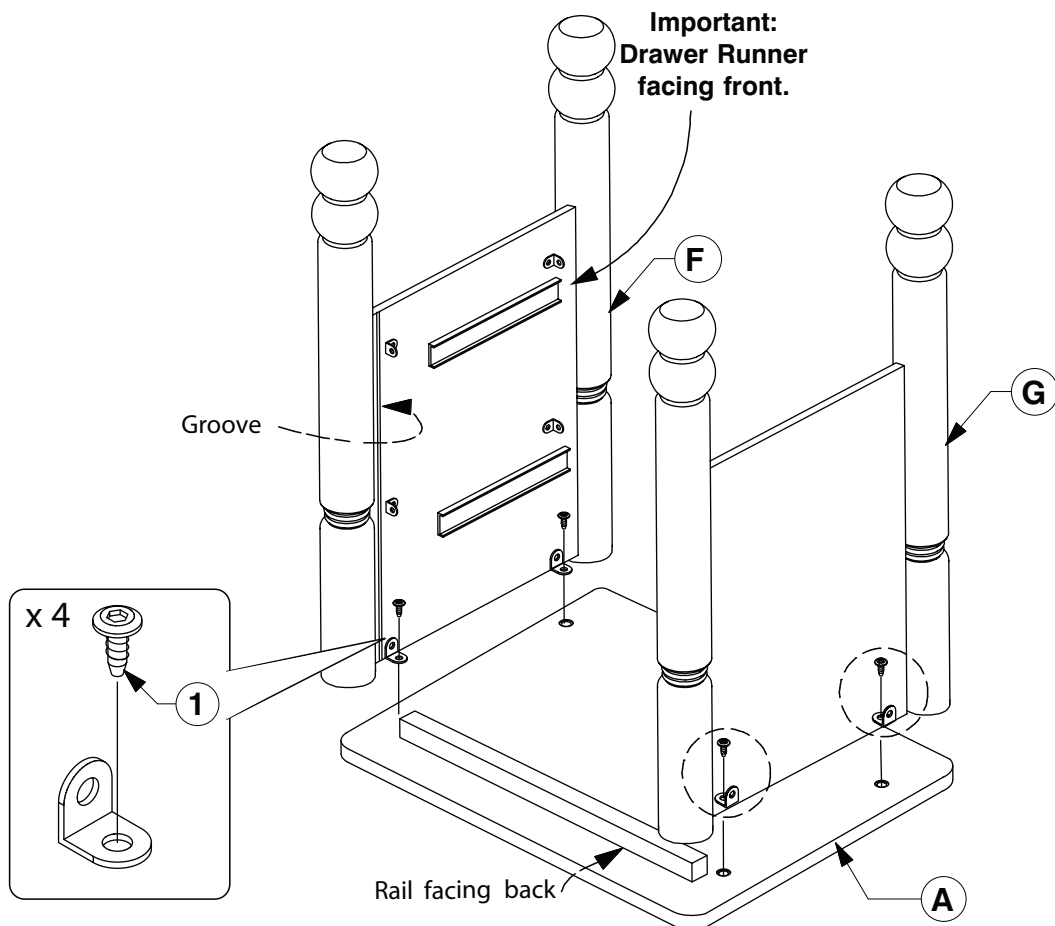
Assembly Instructions

WI-1025

- 6** Fit the 'L' Bracket (2) to the Side Panel (F & G).



- 7** Assemble the Side Panel (F & G) to the Top Panel (A).

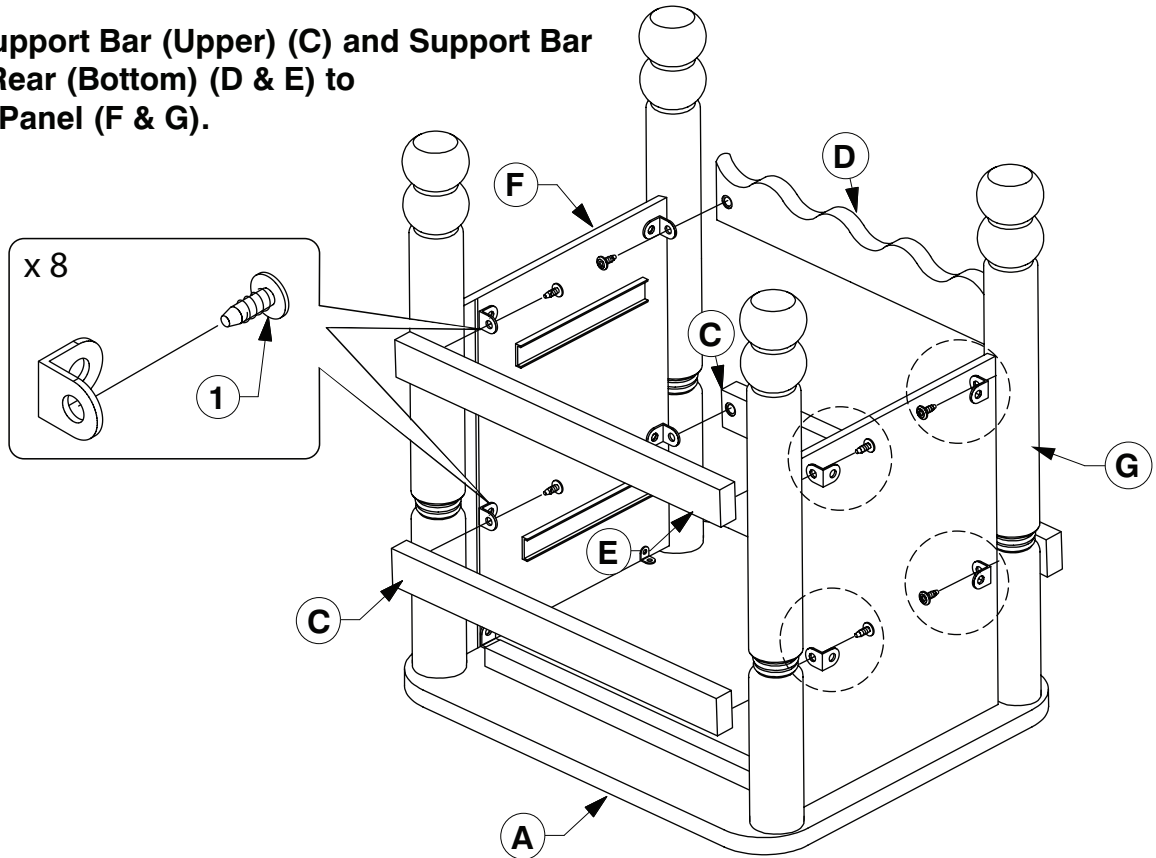


9022 2 Drawer Night Stand

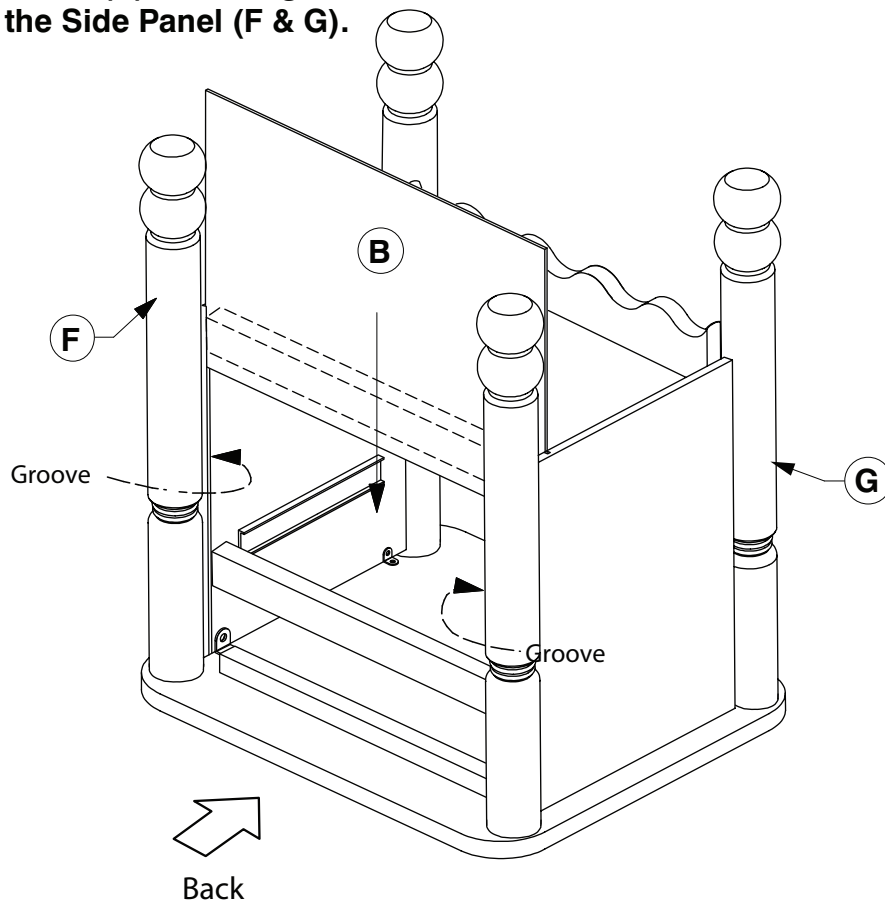
Assembly Instructions

WI-1025

- 8** Fit the Support Bar (Upper) (C) and Support Bar Front & Rear (Bottom) (D & E) to the Side Panel (F & G).



- 9** Slide the Back Panel (B) into the groove on the back of the Side Panel (F & G).

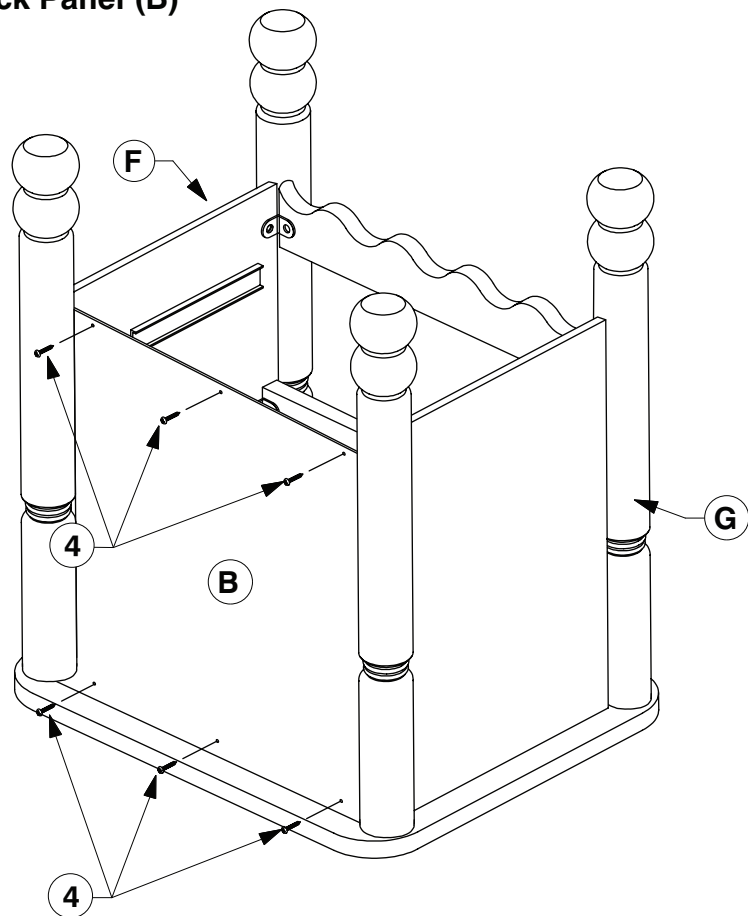


9022 2 Drawer Night Stand

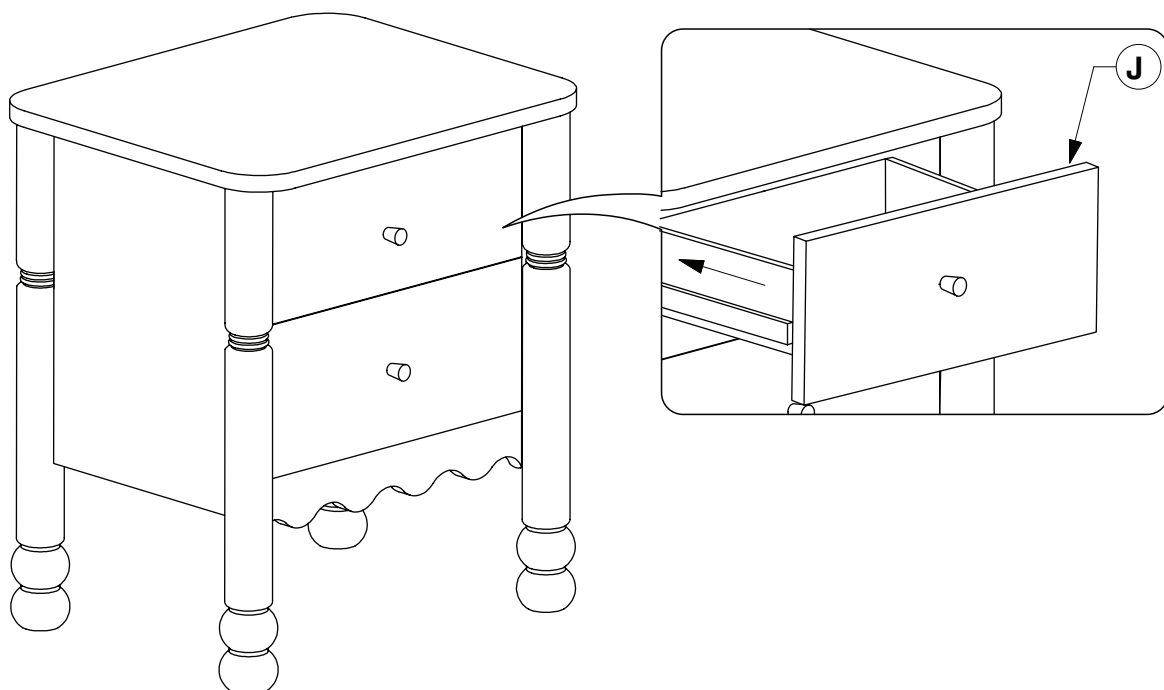
Assembly Instructions

WI-1025

- 10** Use Screw to tighten the Back Panel (B) to the back of frame.



- 11** Fix the Drawer Box to the casegood body.



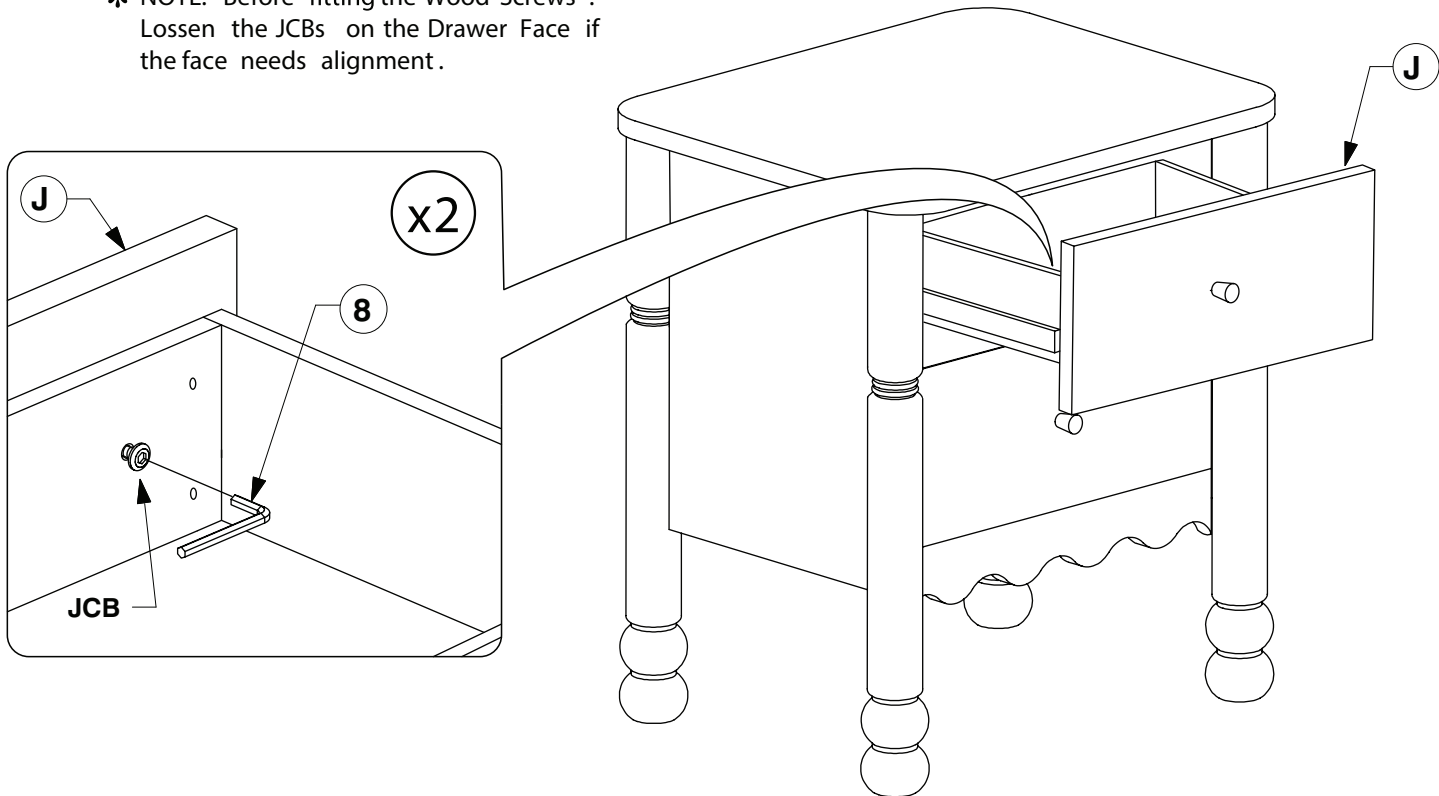
9022 2 Drawer Night Stand

Assembly Instructions

WI-1025

12 Fit and adjust the Drawer Face (J) .

* NOTE: Before fitting the Wood Screws .
Losen the JCBs on the Drawer Face if
the face needs alignment .



13 After the Drawer Faces (J) are aligned, secure with wood screws.

