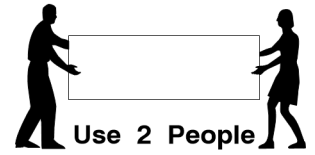


# 0262 Queen Bed

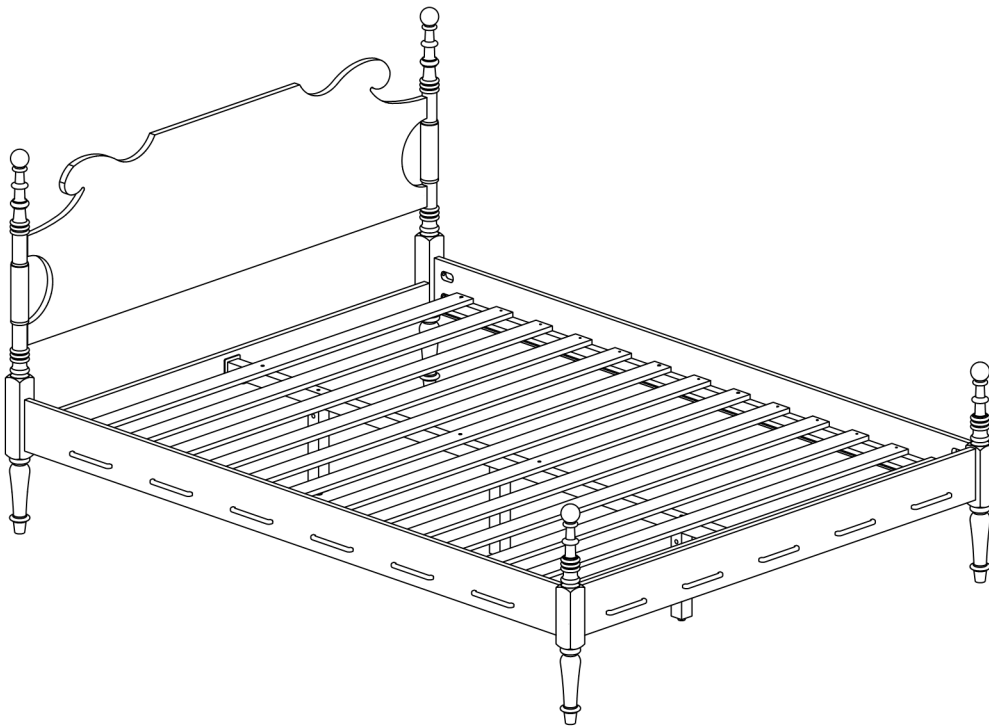
Assembly Instructions

WI-0925

## 1 Assembled View

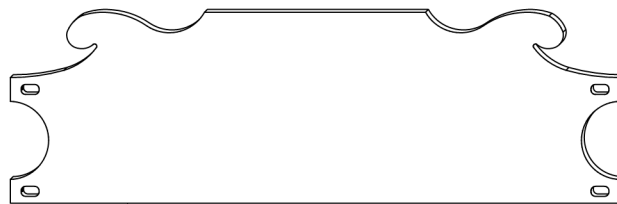


**Note:** Do not assemble using power tools. This can cause the bolts to be overtightened



## 2 Parts List

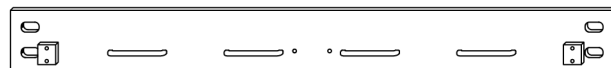
Parts in Box A:



**A** Headboard Panel x 1



**B** Headboard Support x 1



**C** Footboard Panel x 1

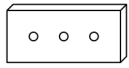
# 0262 Queen Bed

## Assembly Instructions

WI-0925

### 2 Parts List

Parts in Box B:



**D** Footboard Support Bar x 1



**E** Footboard Post (Left hand) x 1



**F** Footboard Post (Right hand) x 1

**G**

Headboard Post (Left hand) x 1

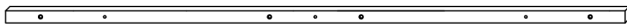


**H**

Headboard Post (Right hand) x 1



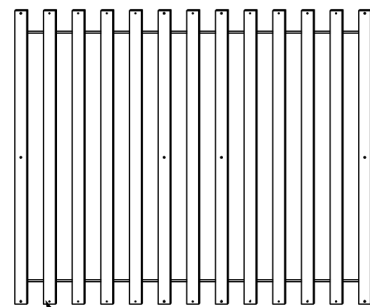
**J** Side Rail x 2



**K** Long Support x 1



**L** Support Leg x 3

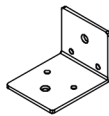


**M** Set of Bed Slats x 1

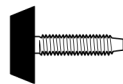
### 3 Hardware List



**1** M4 Long Allen Key x 1



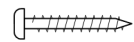
**2** Center Rail Bracket x 2



**3** Adjustable Foot x 3



**4** Barrel Nut x 3



**5** Wood Screw (M4 x 32mm) x 18



**6** Wood Dowel (10 x 40mm) x 6



**7** M6 x 15mm JCB x 4



**8** M6 x 30mm JCB x 2



**9** M6 x 40mm JCB x 32



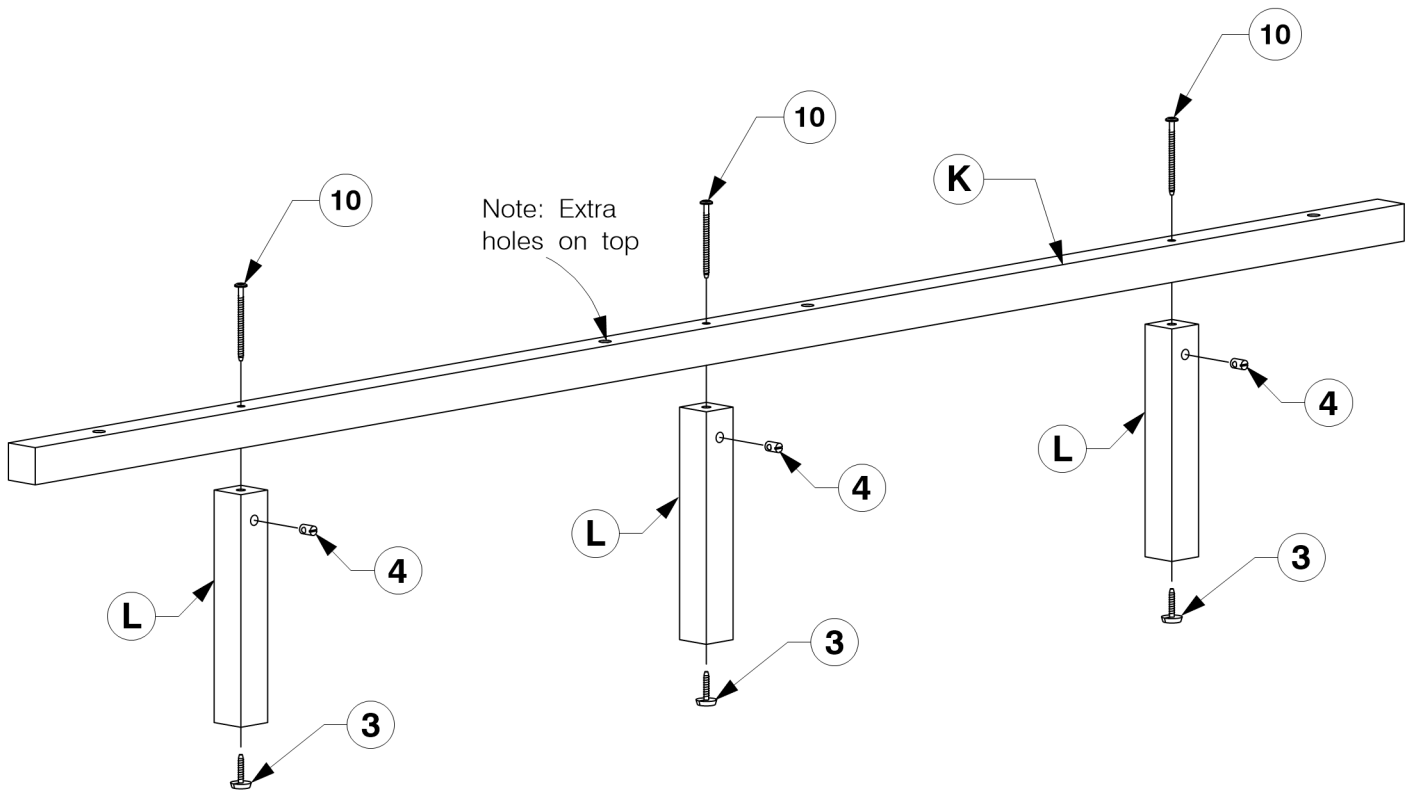
**10** M6 x 90mm JCB x 3

# 0262 Queen Bed

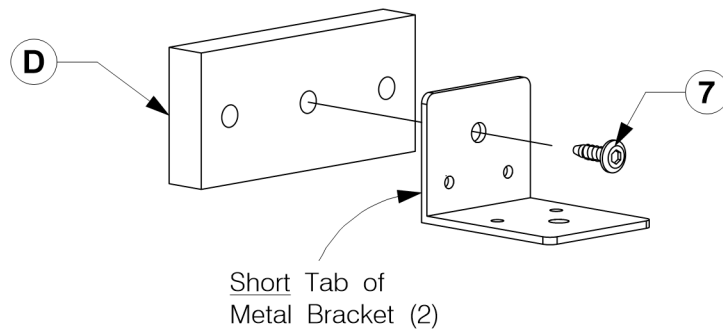
## Assembly Instructions

WI-0925

- 4** Assembled the Support Leg (L) to the Long Support (K).



- 5** Fit the Center Rail Bracket to the Footboard Support Bar (D).

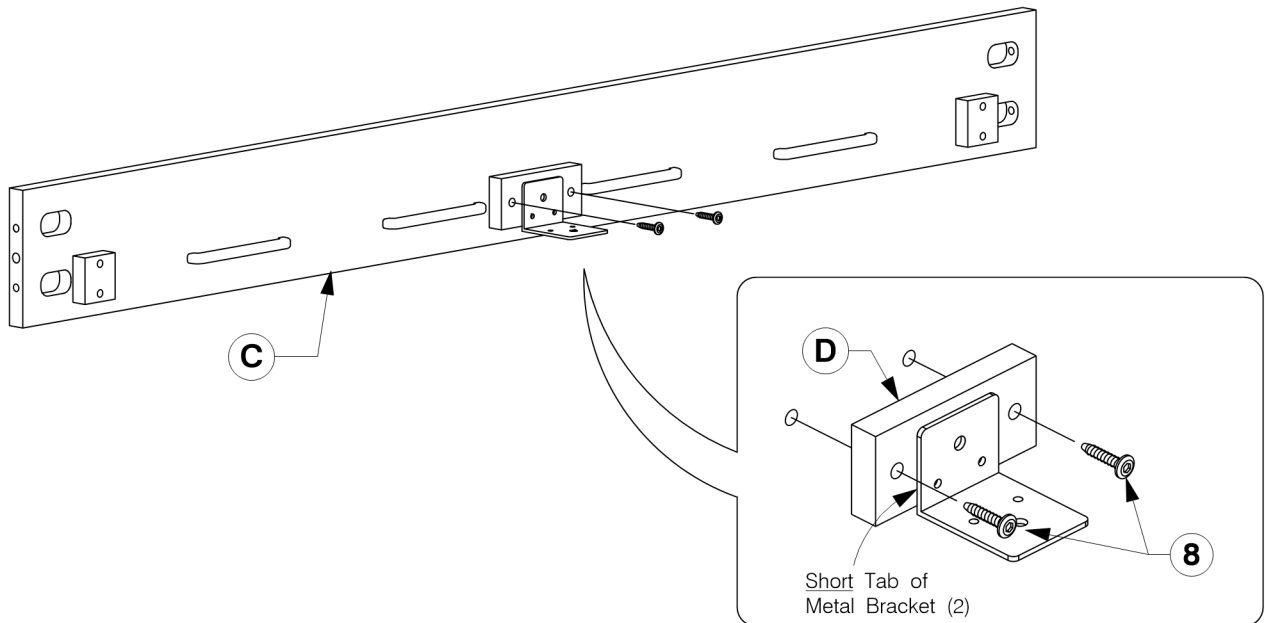


# 0262 Queen Bed

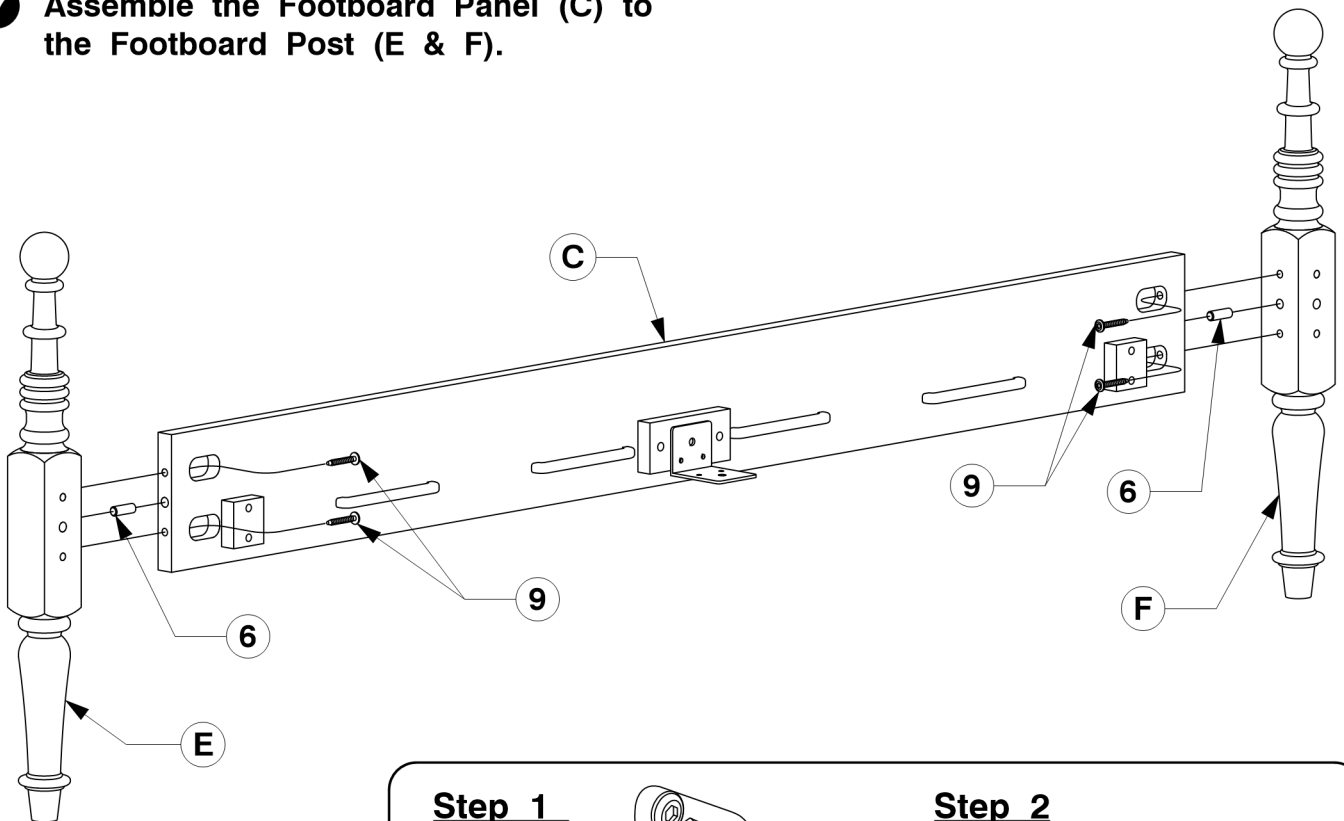
## Assembly Instructions

WI-0925

- 6** Fit the Footboard Support Bar (D) to the Footboard Panel (C).

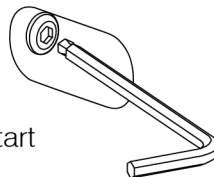


- 7** Assemble the Footboard Panel (C) to the Footboard Post (E & F).



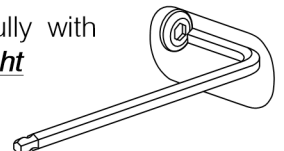
### **Step 1**

Use the **ball end** of Allen key to start the bolt.



### **Step 2**

Tighten fully with the **straight end**.

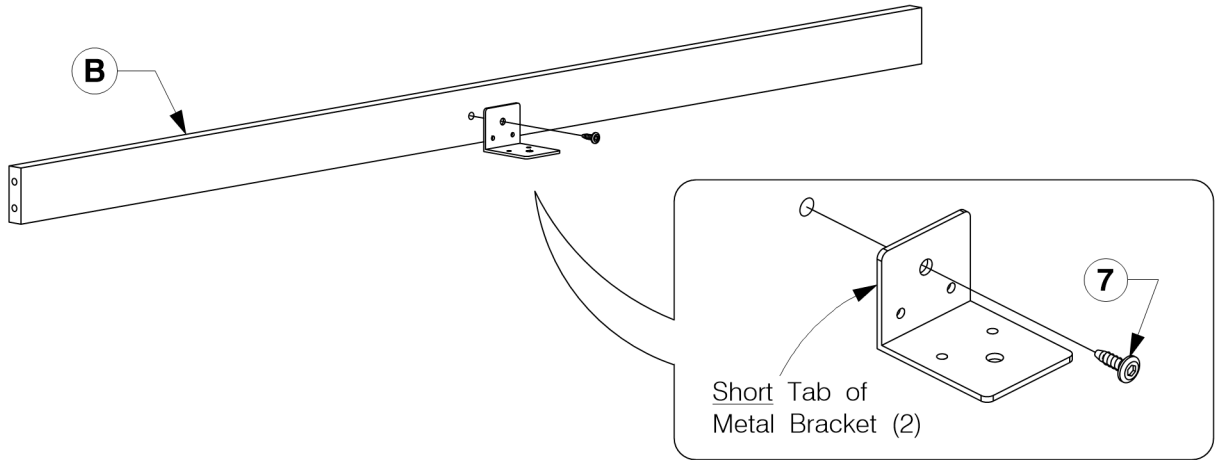


# 0262 Queen Bed

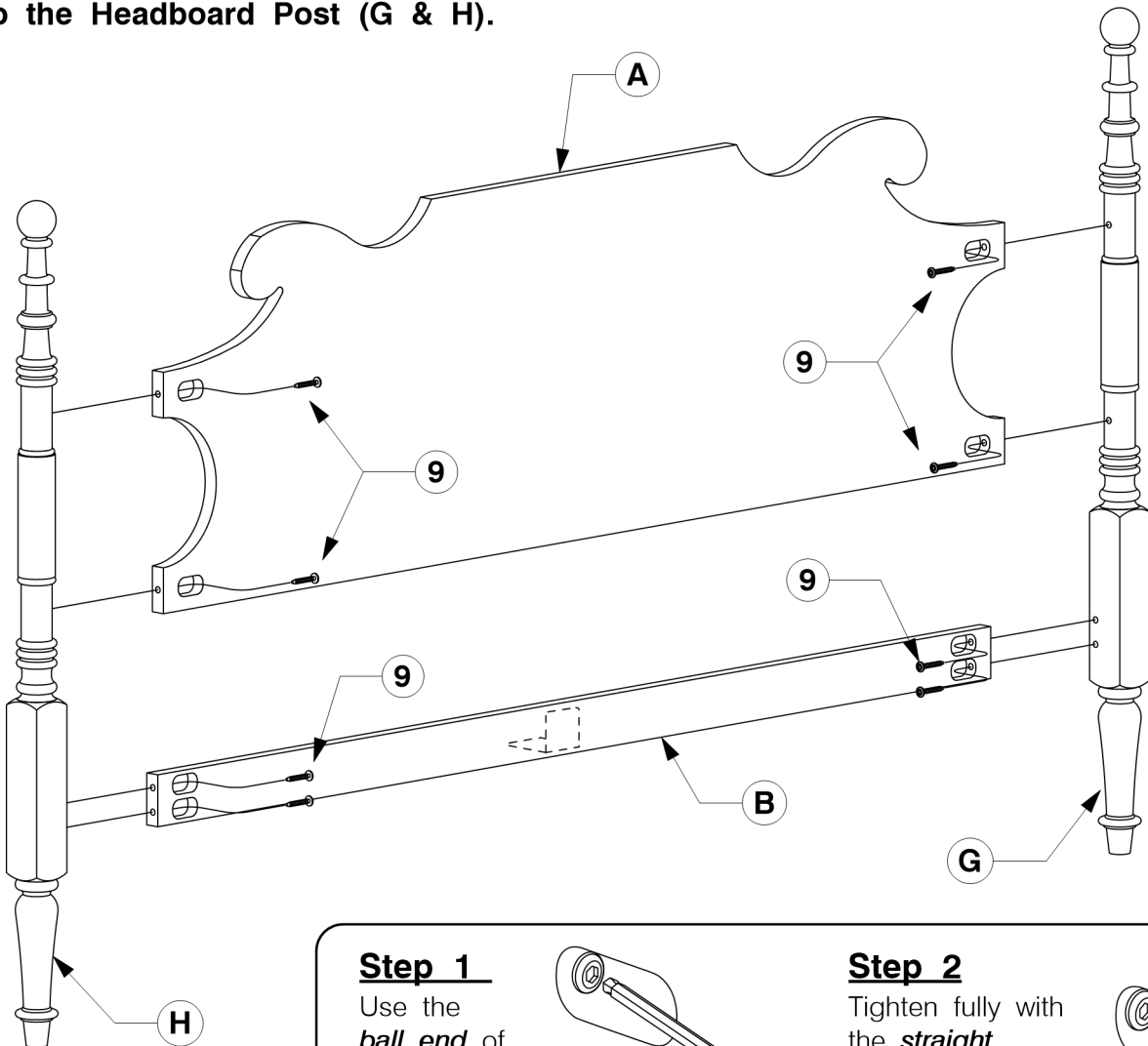
Assembly Instructions

WI-0925

## 8 Fit the Center Rail Bracket to the Headboard Support (B).

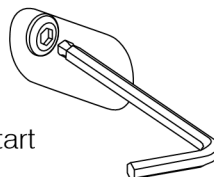


## 9 Assemble the Headboard Panel (A) & Headboard Support (B) to the Headboard Post (G & H).



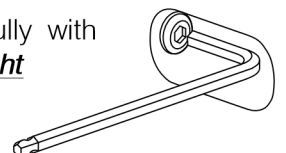
### Step 1

Use the **ball end** of Allen key to start the bolt.



### Step 2

Tighten fully with the **straight end**.

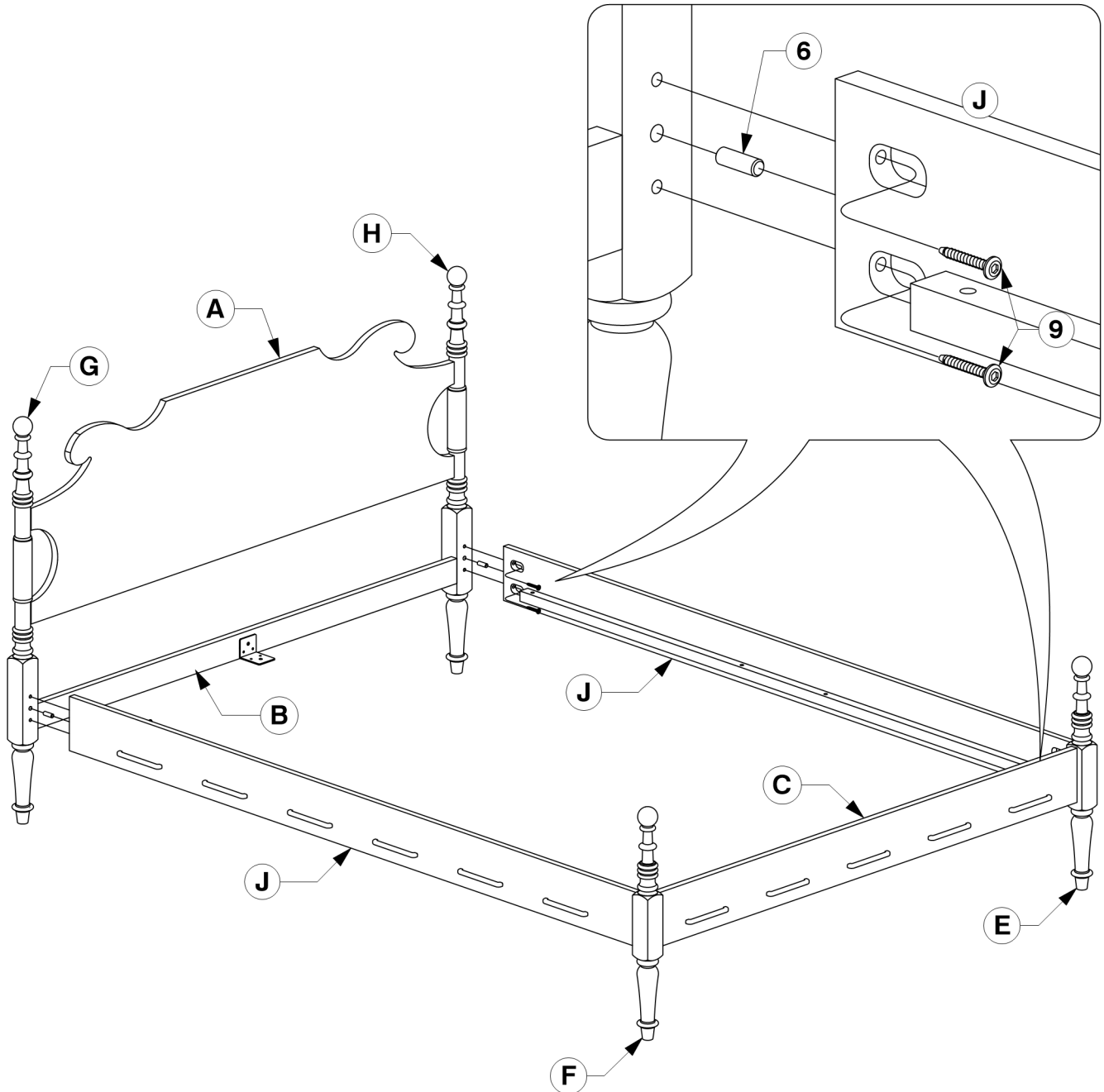


# 0262 Queen Bed

Assembly Instructions

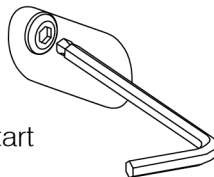
WI-0925

- 10** Assemble the Side Rail (J) to the Headboard & Footboard Post.



## **Step 1**

Use the **ball end** of the Allen key to start the bolt.



## **Step 2**

Tighten fully with the **straight end**.

