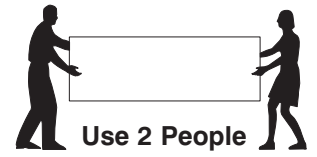
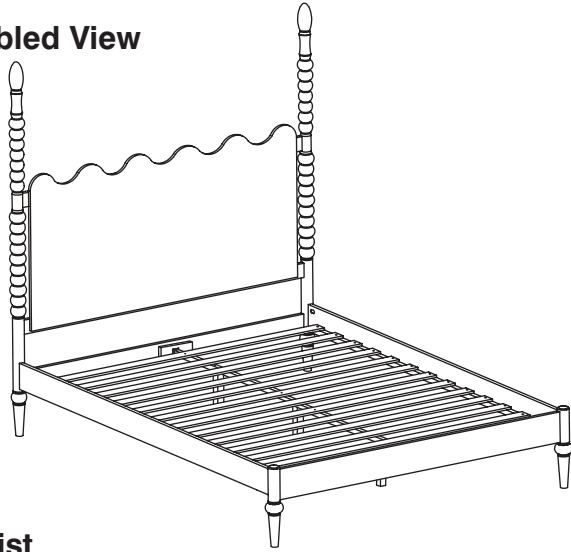


# 0110-6 Queen Bed

## Assembly Instructions

WI-1025

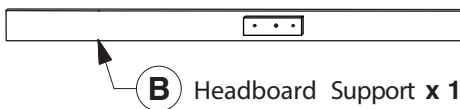
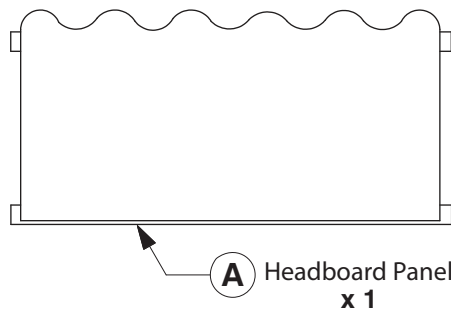
### 1 Assembled View



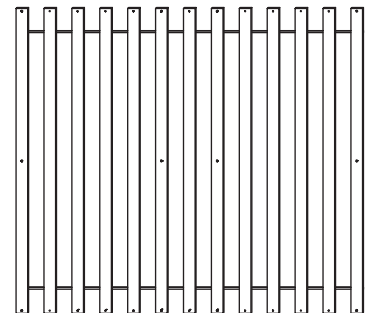
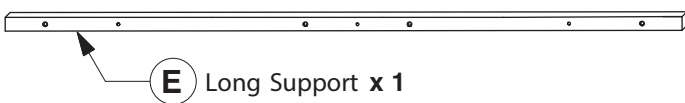
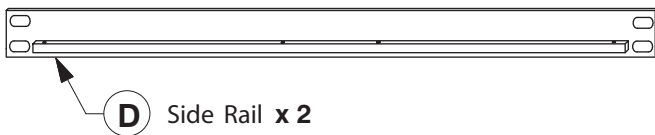
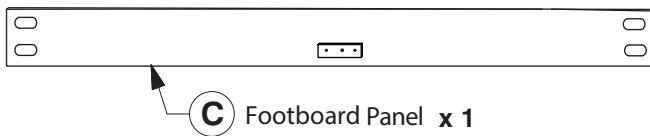
**Note:** Do not assemble using power tools. This can cause the bolts to be overtightened

### 2 Parts List

Parts in Box A:



Parts in Box B:

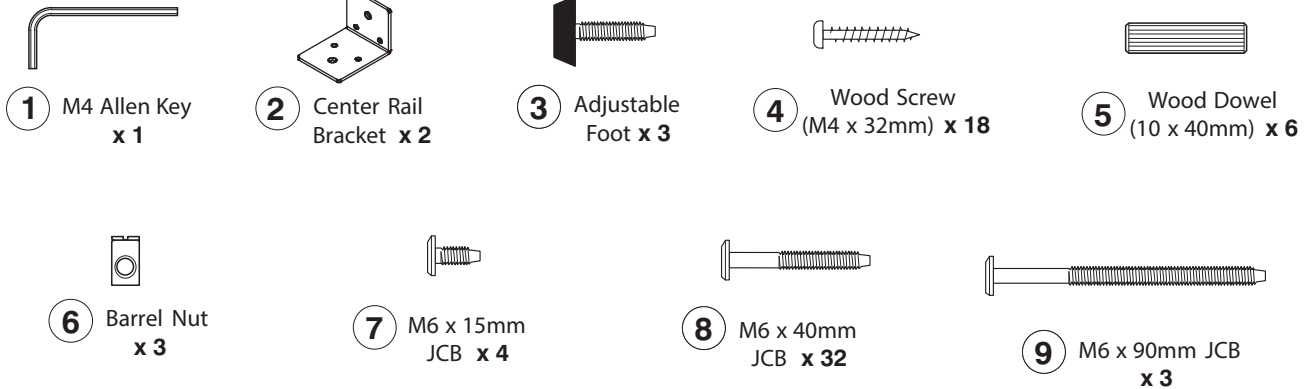


# 0110-6 Queen Bed

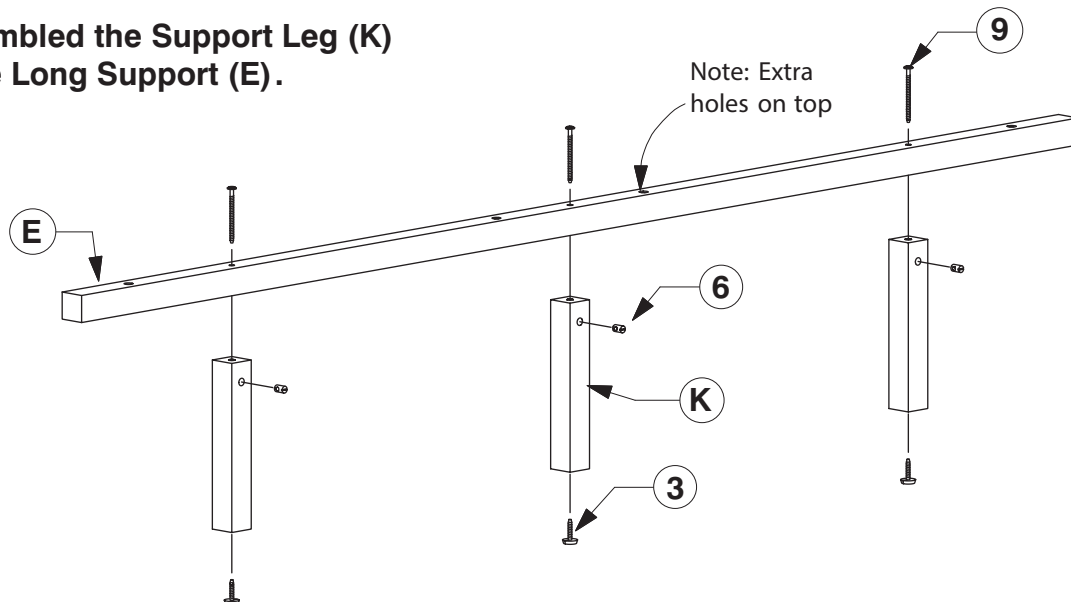
## Assembly Instructions

WI-1025

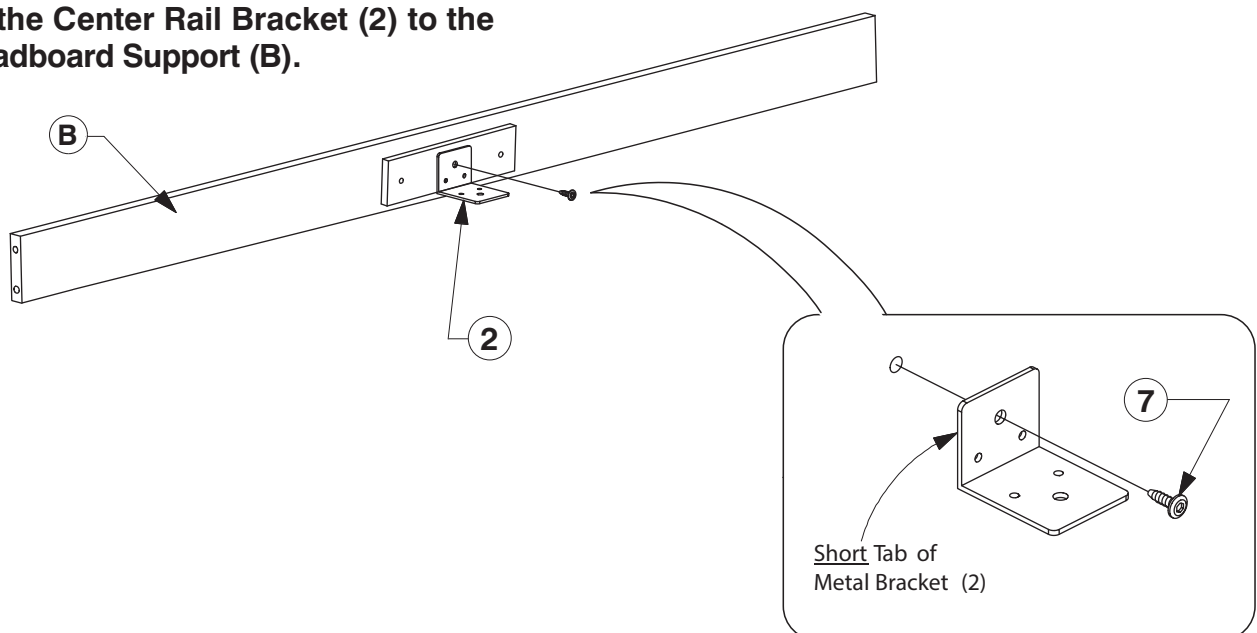
### 3 Hardware List



### 4 Assembled the Support Leg (K) to the Long Support (E).



### 5 Fit the Center Rail Bracket (2) to the Headboard Support (B).

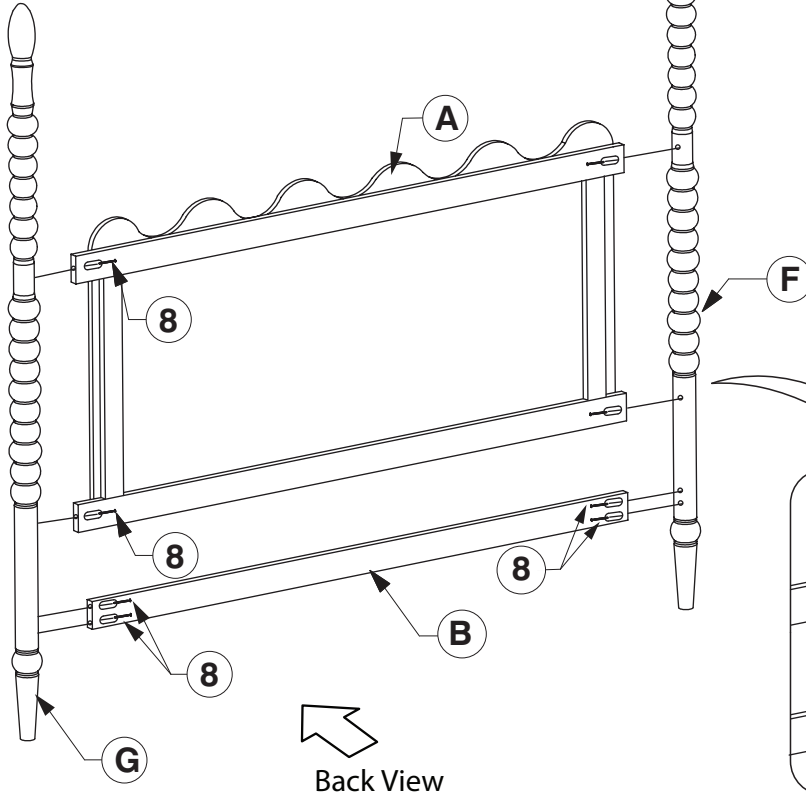


# 0110-6 Queen Bed

## Assembly Instructions

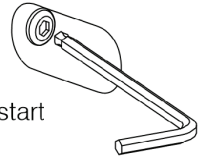
WI-1025

### 6 Assembled the Headboard Post (F & G) to the Headboard Panel (A) and Headboard Support (B).



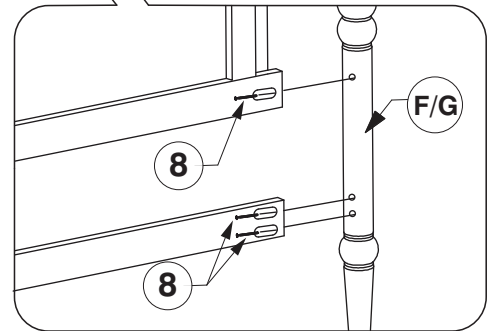
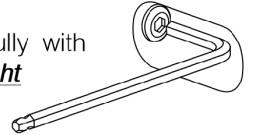
#### Step 1

Use the **ball end** of Allen key to start the bolt.

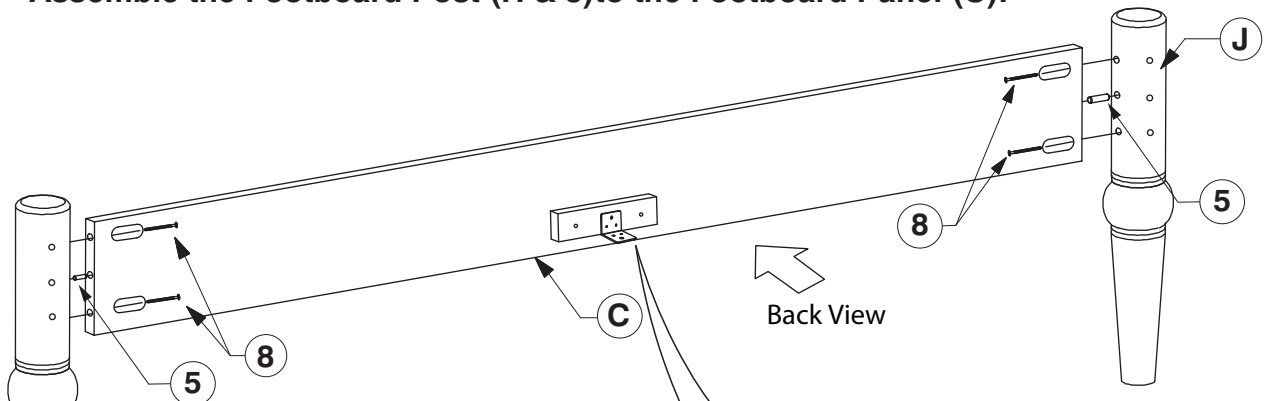


#### Step 2

Tighten fully with the **straight end**.

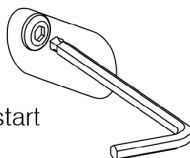


### 7 Assemble the Footboard Post (H & J) to the Footboard Panel (C).



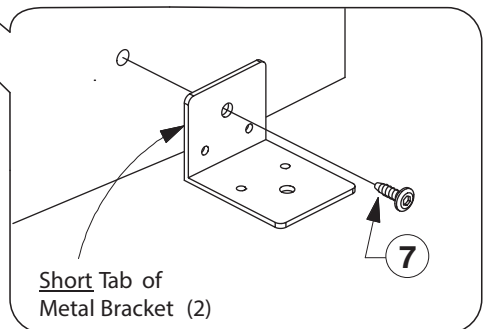
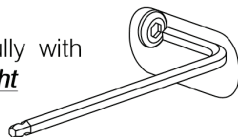
#### Step 1

Use the **ball end** of Allen key to start the bolt.



#### Step 2

Tighten fully with the **straight end**.

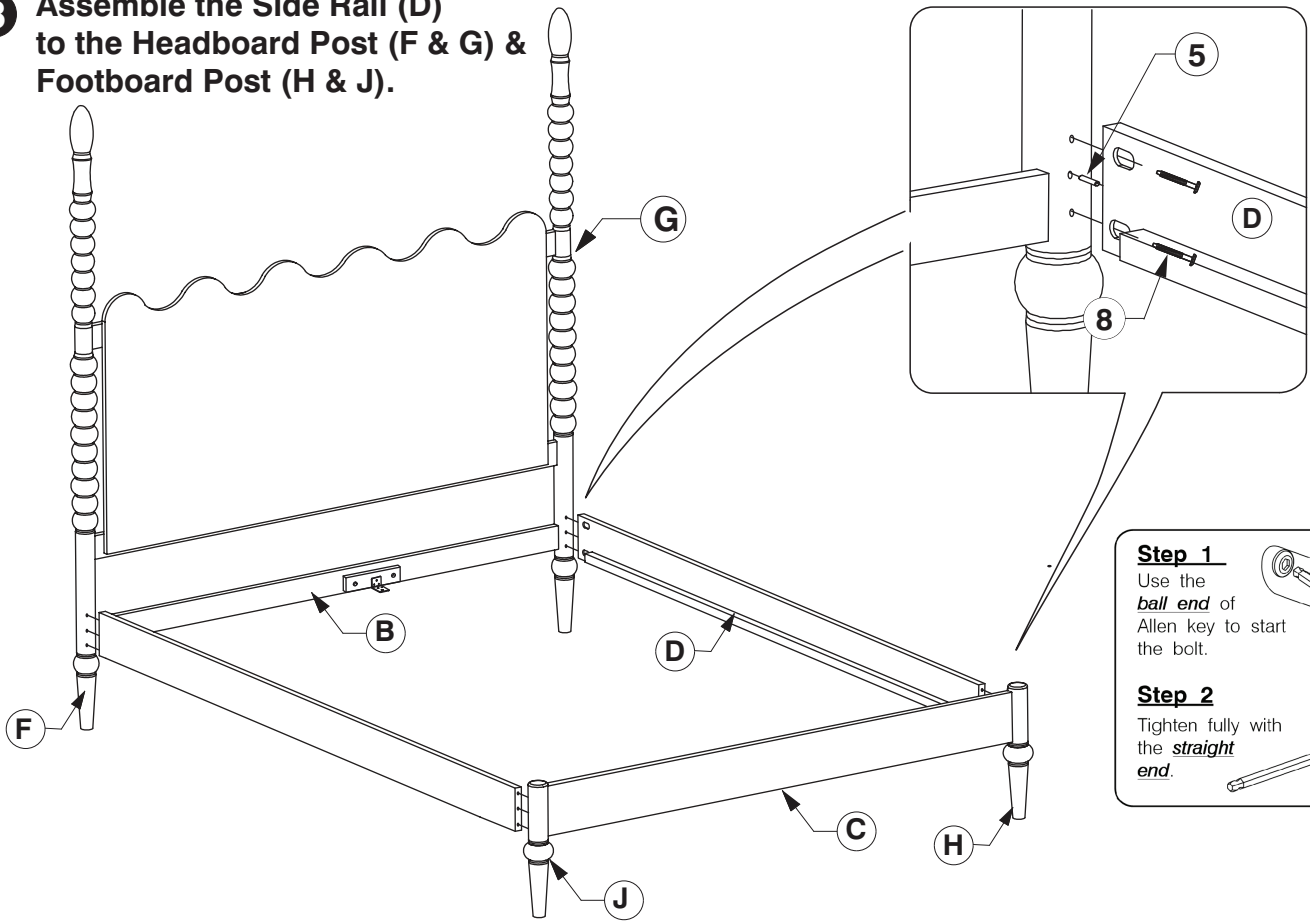


# 0110-6 Queen Bed

## Assembly Instructions

WI-1025

- 8** Assemble the Side Rail (D) to the Headboard Post (F & G) & Footboard Post (H & J).



- 9** Bolt the Long Support (E) to the Center Rail Bracket (2) on the Headboard Support (B) & Footboard Panel (C).

