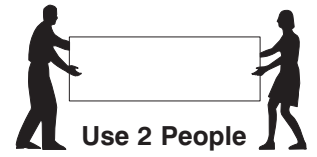
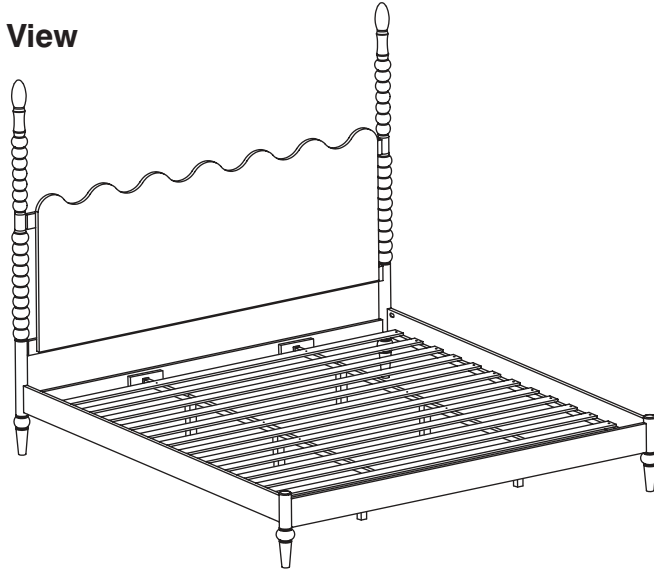


0110-6 King Bed

Assembly Instructions

WI-1025

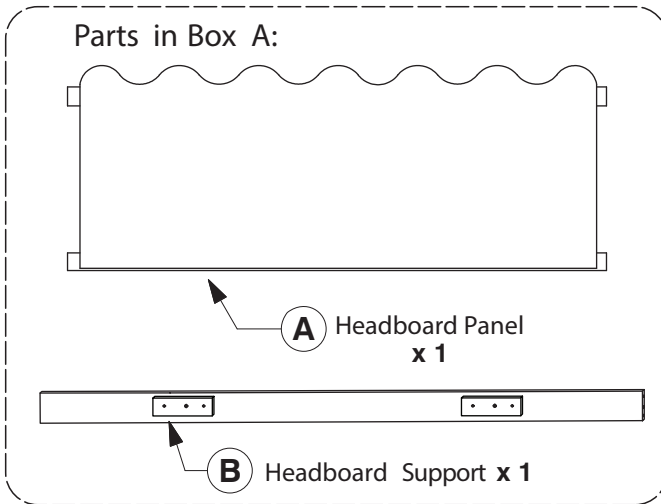
1 Assembled View



Note: Do not assemble using power tools. This can cause the bolts to be overtightened

2 Parts List

Parts in Box A:



A Headboard Panel x 1

B Headboard Support x 1

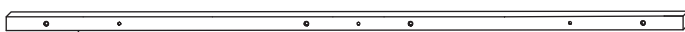
Parts in Box B:



C Footboard Panel x 1



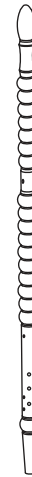
D Side Rail x 2



E Long Support x 2



F Headboard Post (Left) x 1



G Headboard Post (Right) x 1



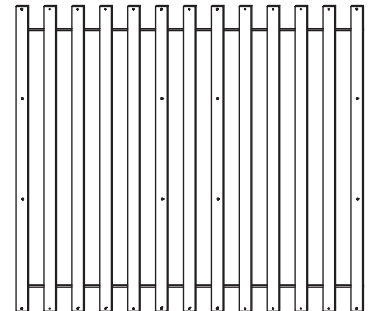
H Footboard Post (Left) x 1



J Footboard Post (Right) x 1



K Support Leg x 6



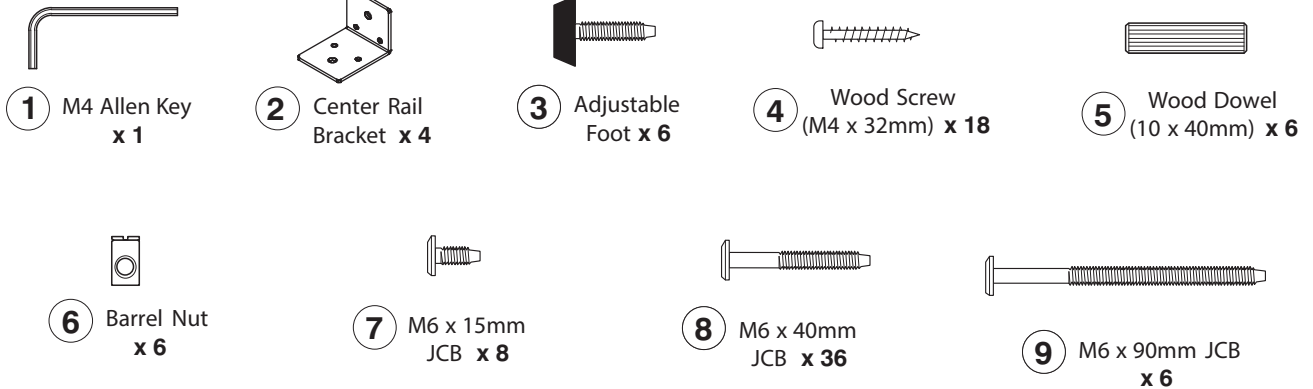
L Set of Bed Slats x 1

0110-6 King Bed

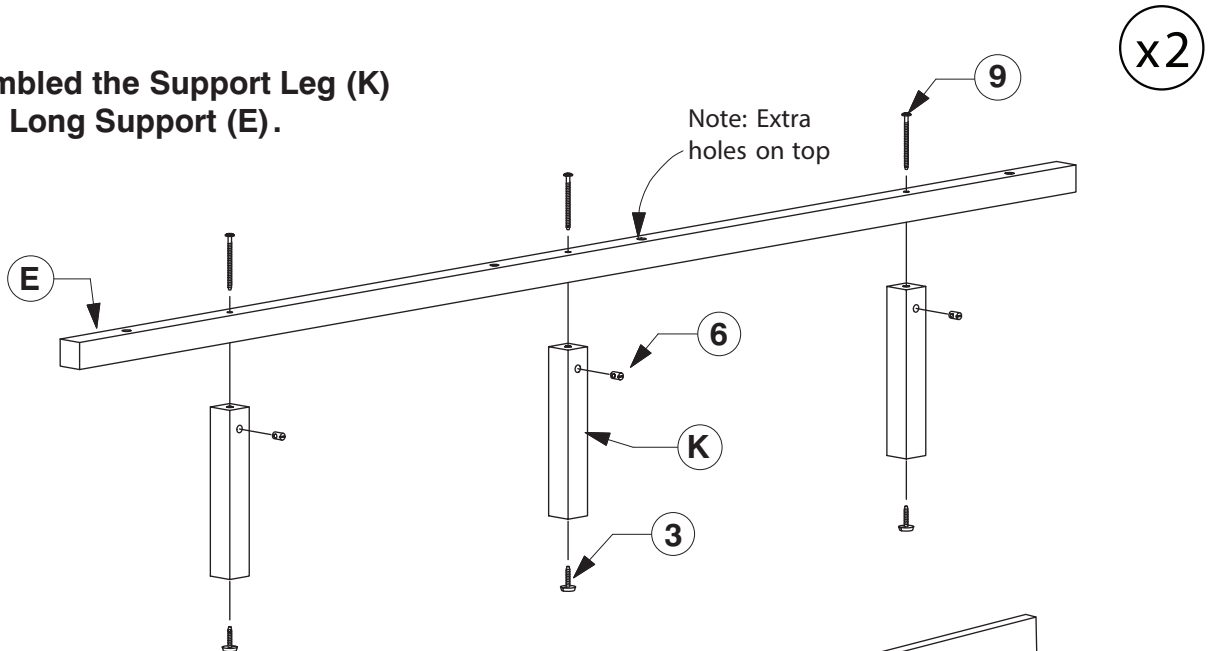
Assembly Instructions

WI-1025

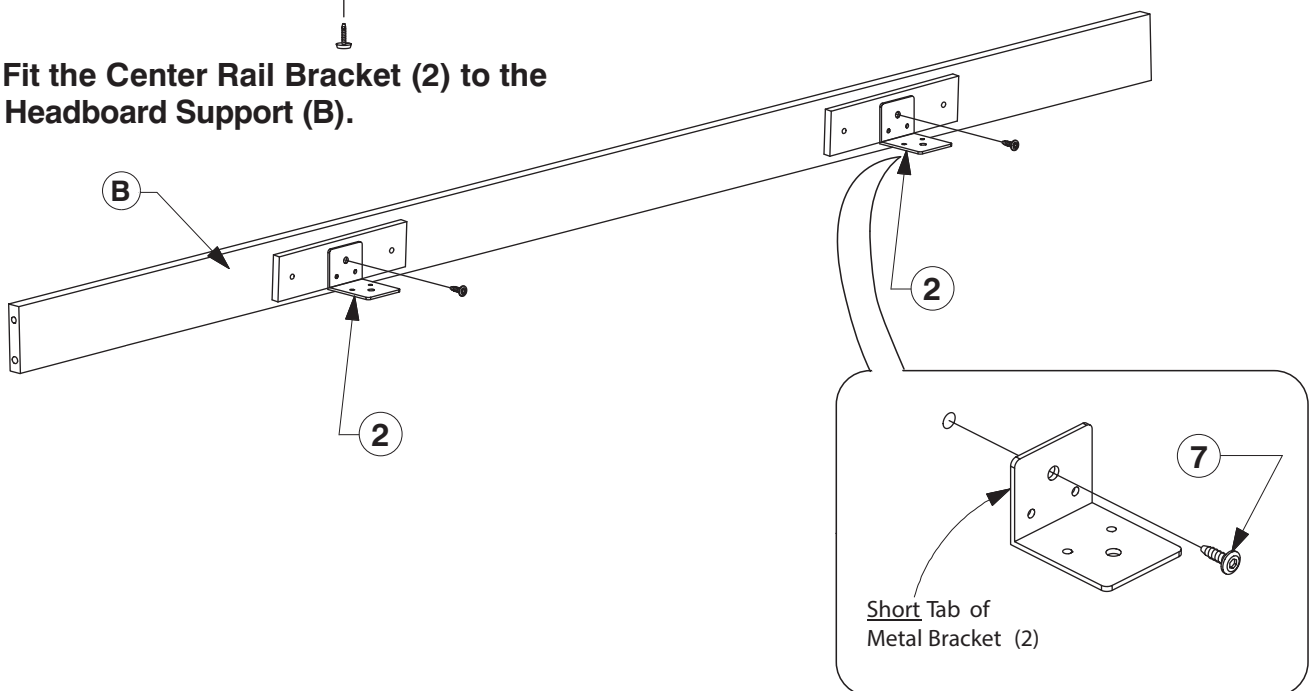
3 Hardware List



4 Assembled the Support Leg (K) to the Long Support (E).



5 Fit the Center Rail Bracket (2) to the Headboard Support (B).

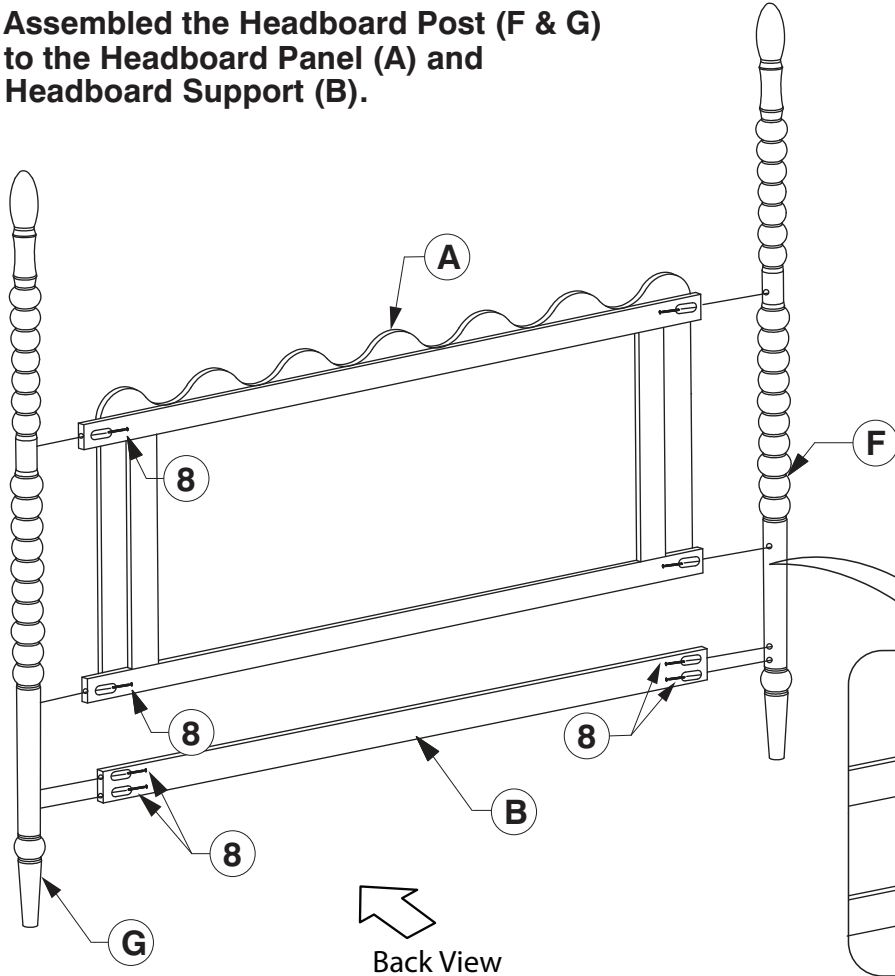


0110-6 King Bed

Assembly Instructions

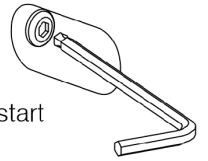
WI-1025

6 Assembled the Headboard Post (F & G) to the Headboard Panel (A) and Headboard Support (B).



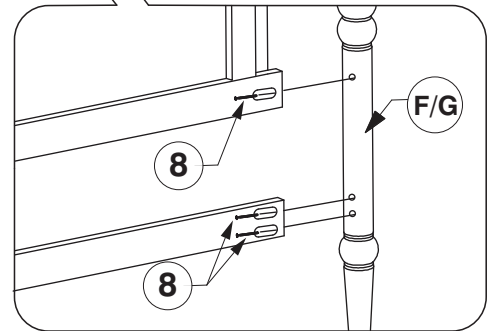
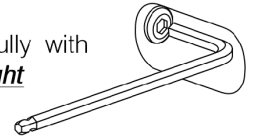
Step 1

Use the **ball end** of Allen key to start the bolt.

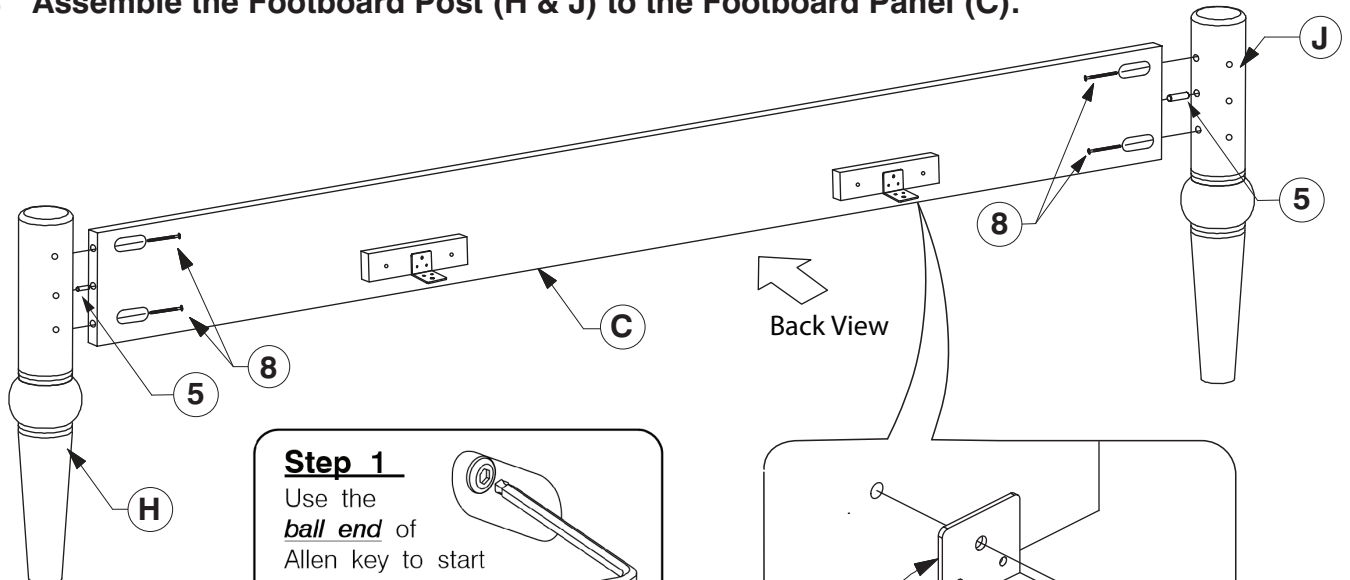


Step 2

Tighten fully with the **straight end**.

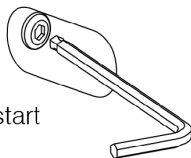


7 Assemble the Footboard Post (H & J) to the Footboard Panel (C).



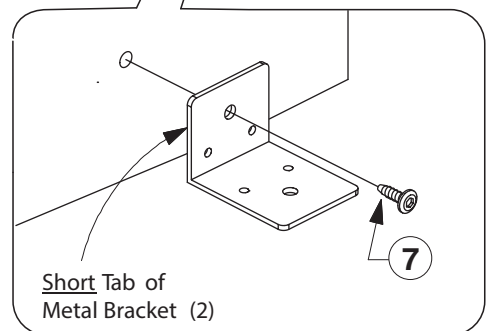
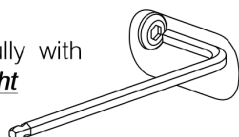
Step 1

Use the **ball end** of Allen key to start the bolt.



Step 2

Tighten fully with the **straight end**.



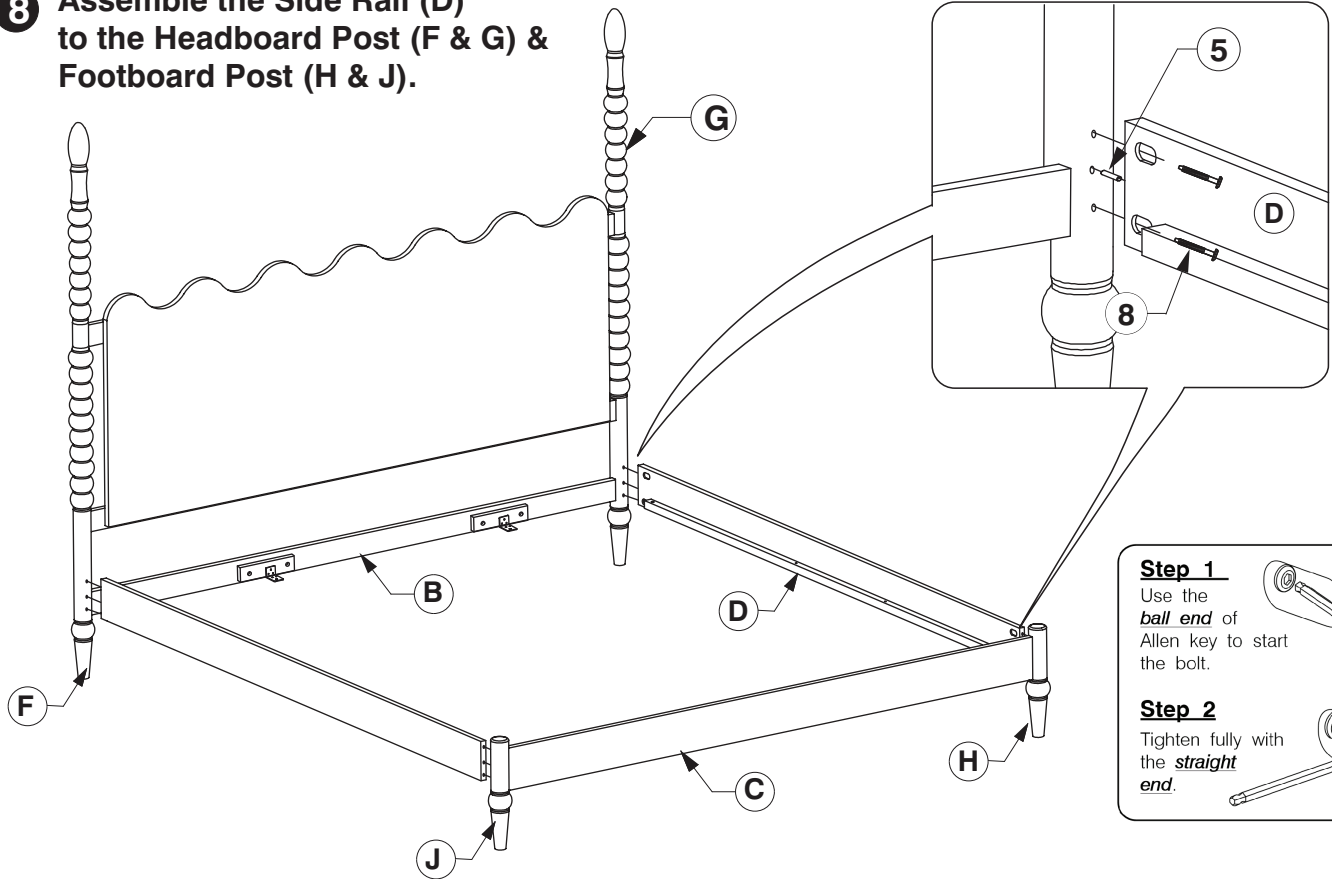
Short Tab of Metal Bracket (2)

0110-6 King Bed

Assembly Instructions

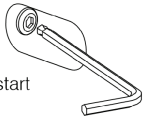
WI-1025

- 8** Assemble the Side Rail (D) to the Headboard Post (F & G) & Footboard Post (H & J).



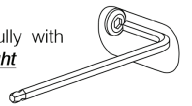
Step 1

Use the *ball end* of Allen key to start the bolt.

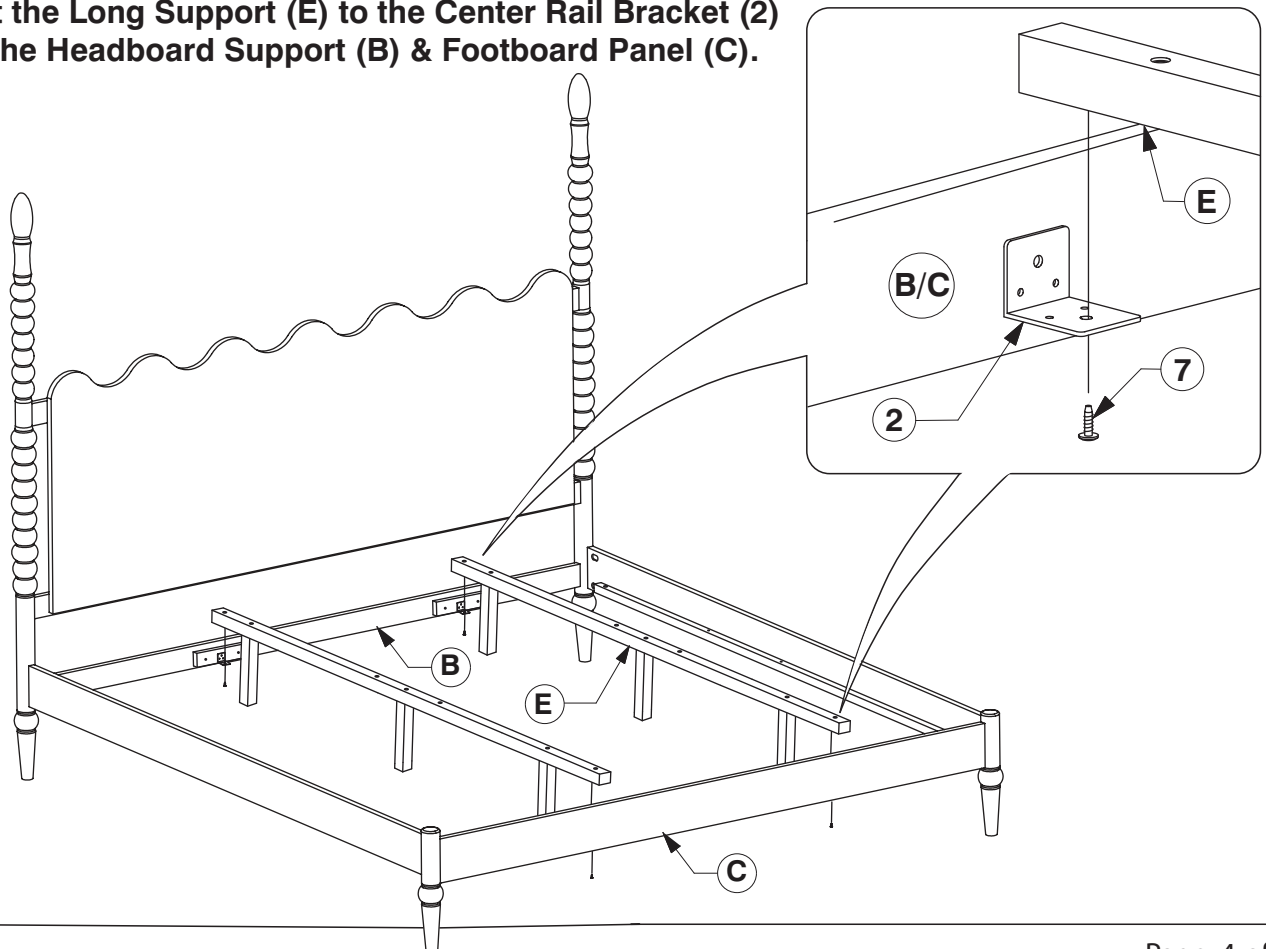


Step 2

Tighten fully with the *straight end*.



- 9** Bolt the Long Support (E) to the Center Rail Bracket (2) on the Headboard Support (B) & Footboard Panel (C).



0110-6 King Bed

Assembly Instructions

WI-1025

- 10 Bolt & screw the Bed Slats (L) to the Side Rail (D).**

