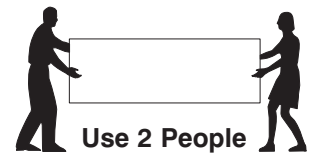
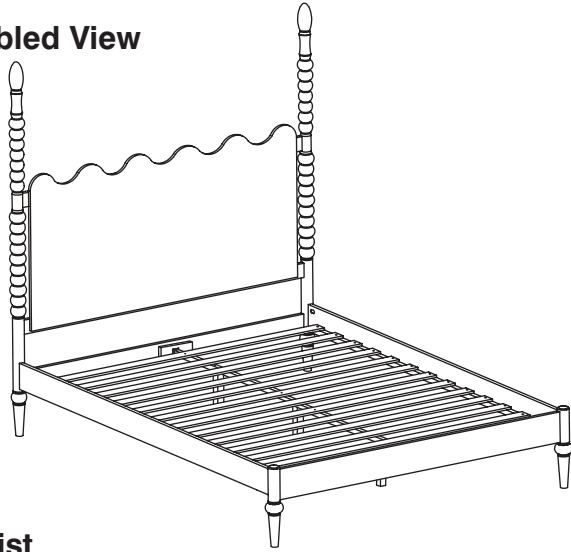


0110-6 Queen Bed

Assembly Instructions

WI-1025

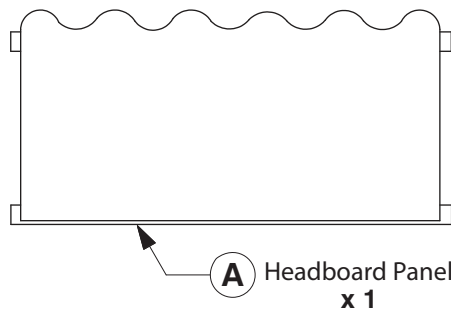
1 Assembled View



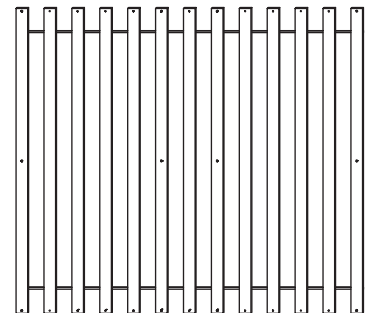
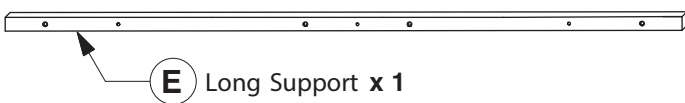
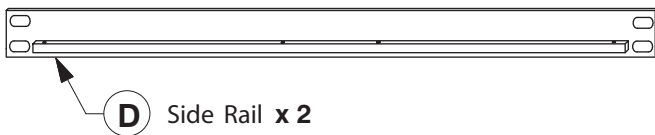
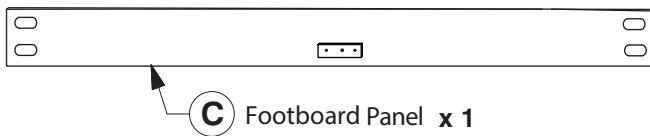
Note: Do not assemble using power tools. This can cause the bolts to be overtightened

2 Parts List

Parts in Box A:



Parts in Box B:

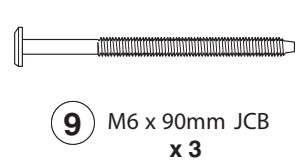
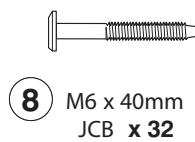
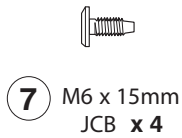
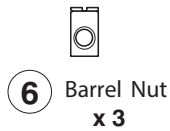
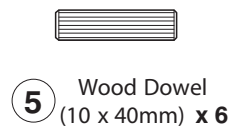
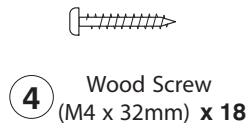
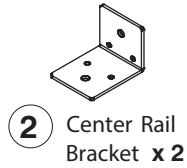
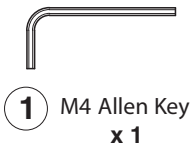


0110-6 Queen Bed

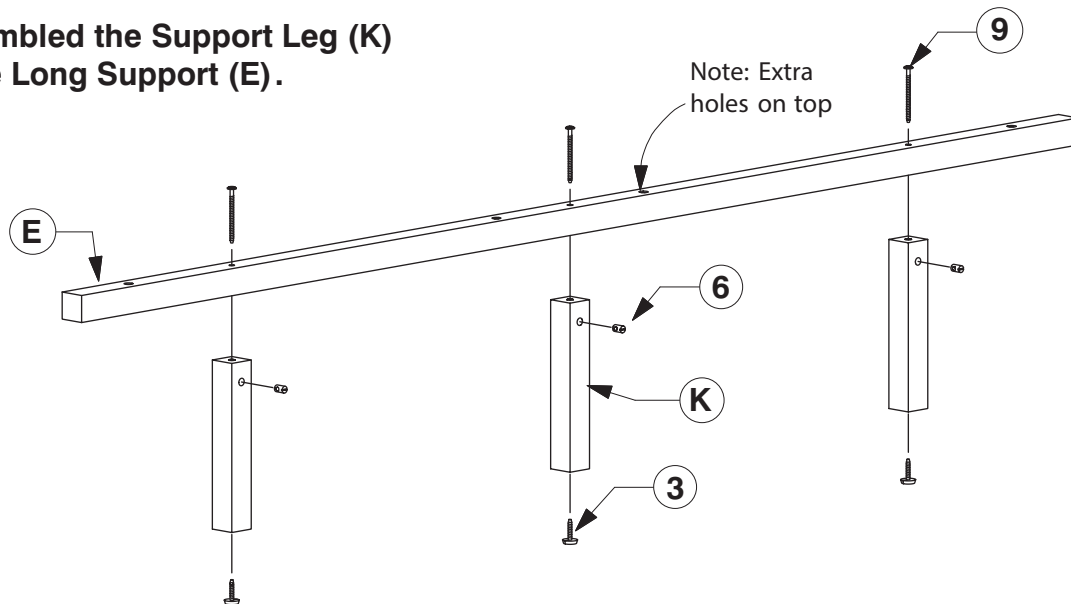
Assembly Instructions

WI-1025

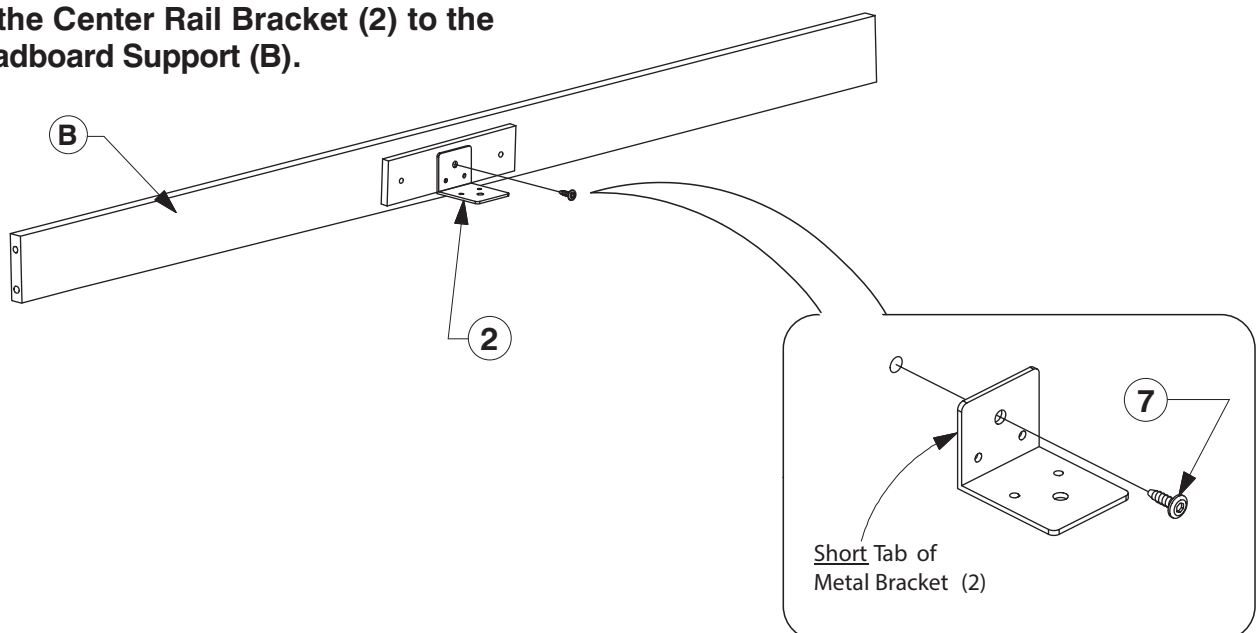
3 Hardware List



4 Assembled the Support Leg (K) to the Long Support (E).



5 Fit the Center Rail Bracket (2) to the Headboard Support (B).

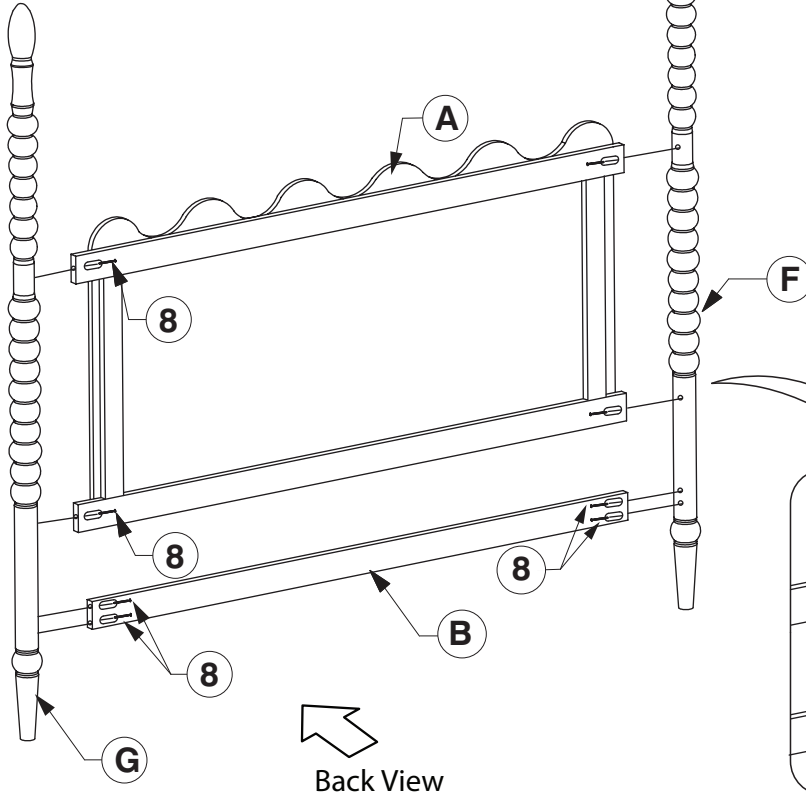


0110-6 Queen Bed

Assembly Instructions

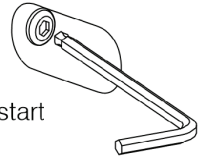
WI-1025

6 Assembled the Headboard Post (F & G) to the Headboard Panel (A) and Headboard Support (B).



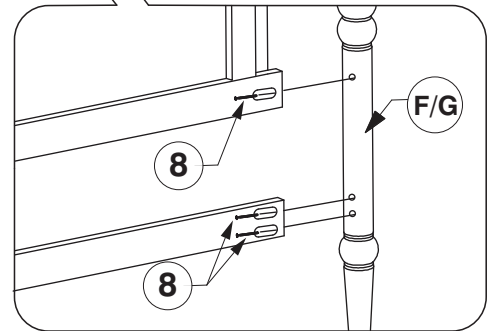
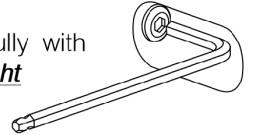
Step 1

Use the **ball end** of Allen key to start the bolt.

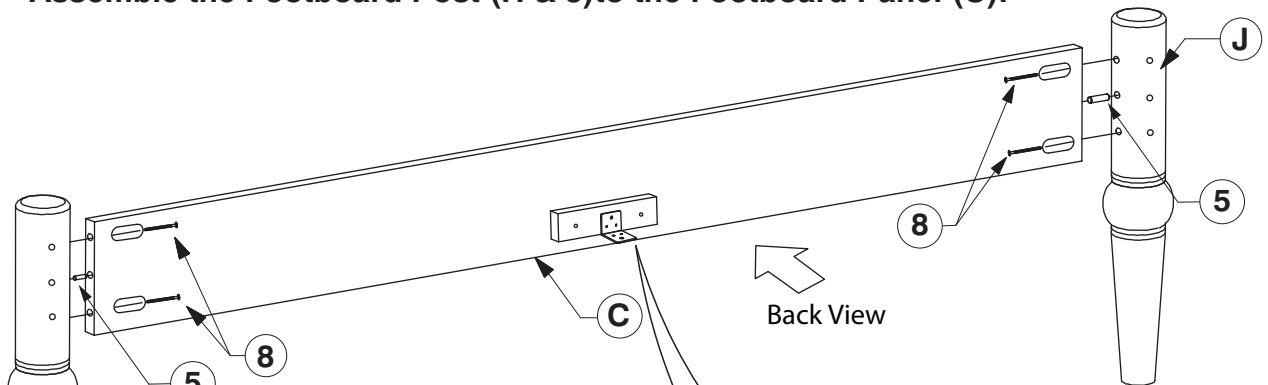


Step 2

Tighten fully with the **straight end**.

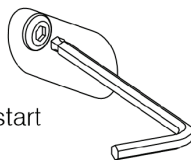


7 Assemble the Footboard Post (H & J) to the Footboard Panel (C).



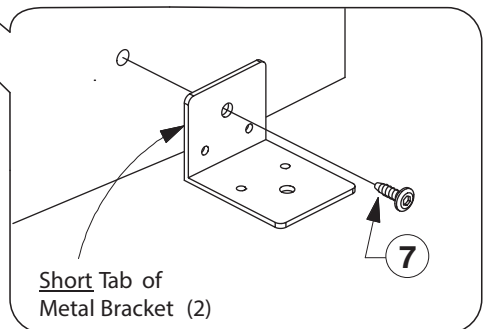
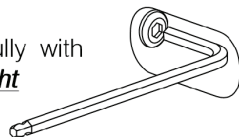
Step 1

Use the **ball end** of Allen key to start the bolt.



Step 2

Tighten fully with the **straight end**.

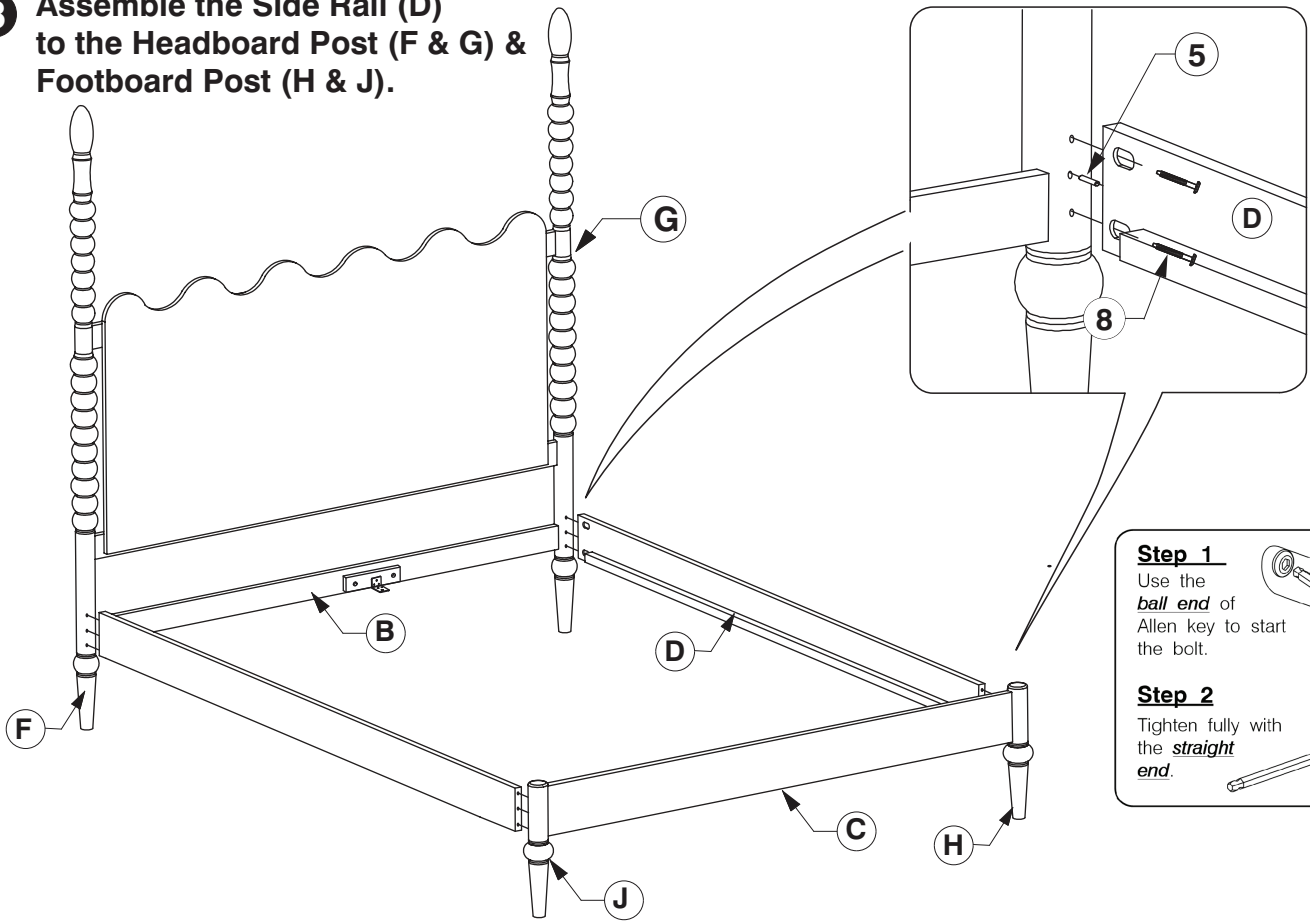


0110-6 Queen Bed

Assembly Instructions

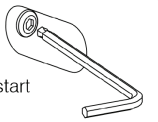
WI-1025

- 8** Assemble the Side Rail (D) to the Headboard Post (F & G) & Footboard Post (H & J).



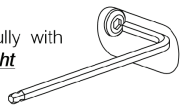
Step 1

Use the **ball end** of Allen key to start the bolt.

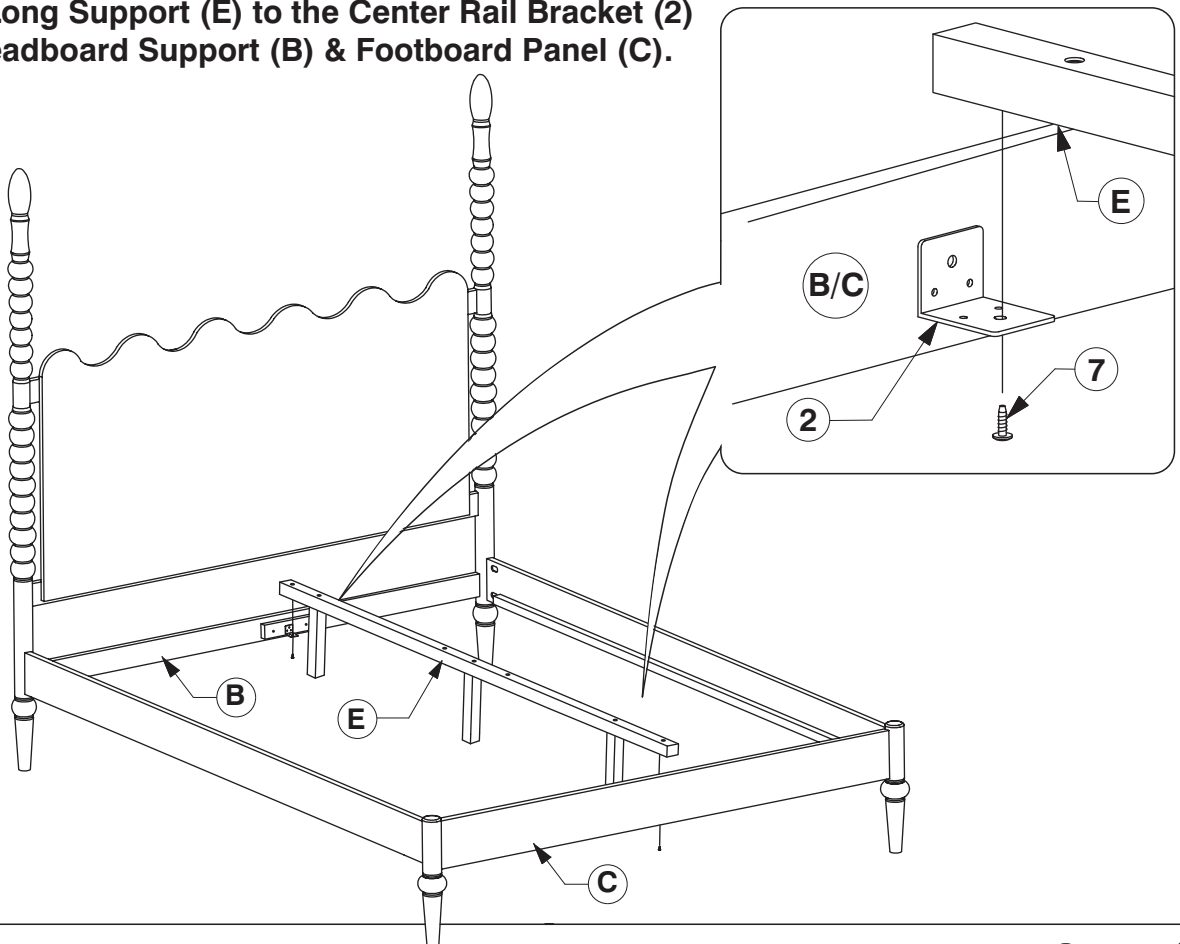


Step 2

Tighten fully with the **straight end**.



- 9** Bolt the Long Support (E) to the Center Rail Bracket (2) on the Headboard Support (B) & Footboard Panel (C).

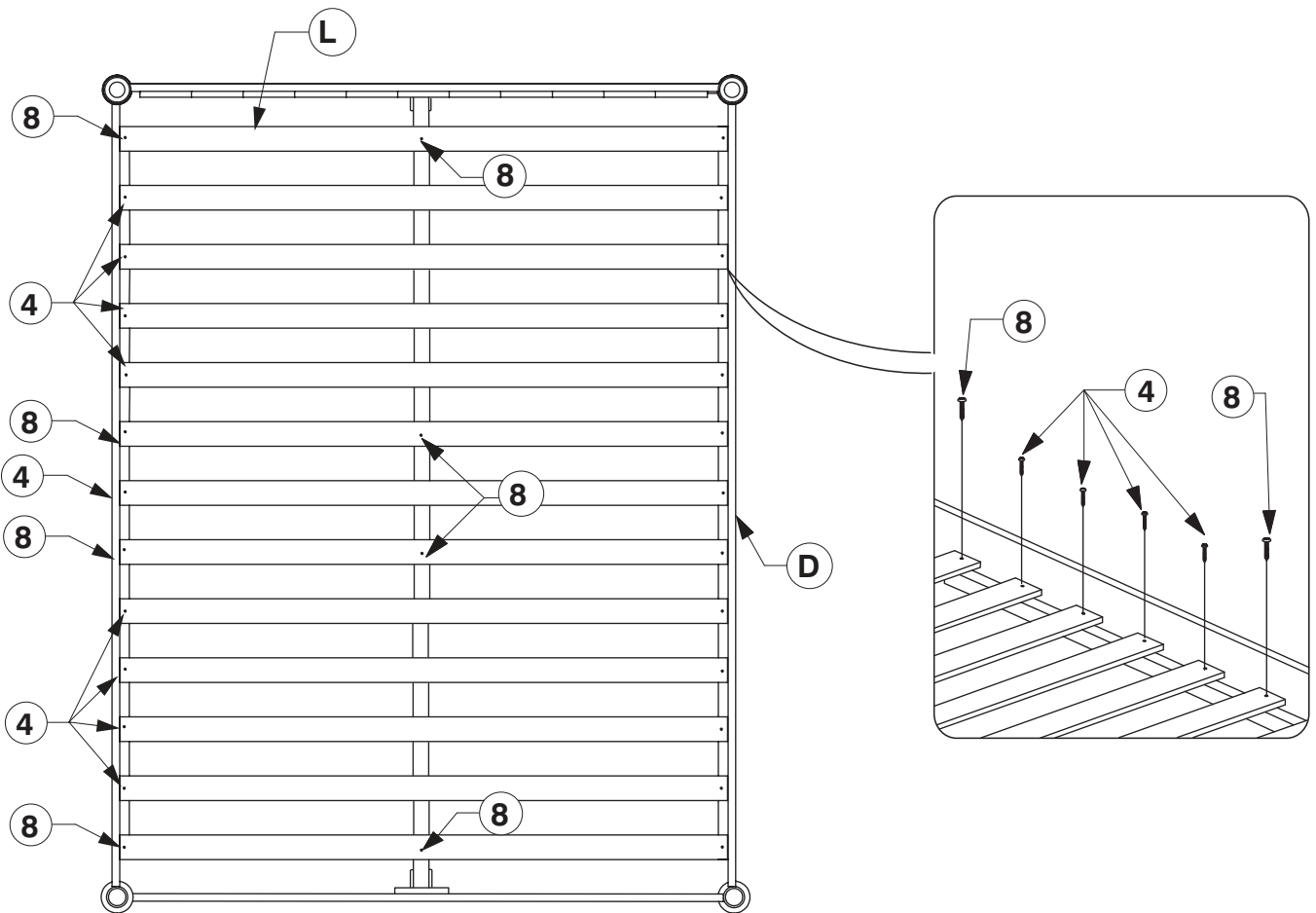


0110-6 Queen Bed

Assembly Instructions

WI-1025

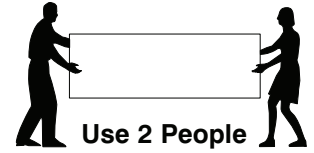
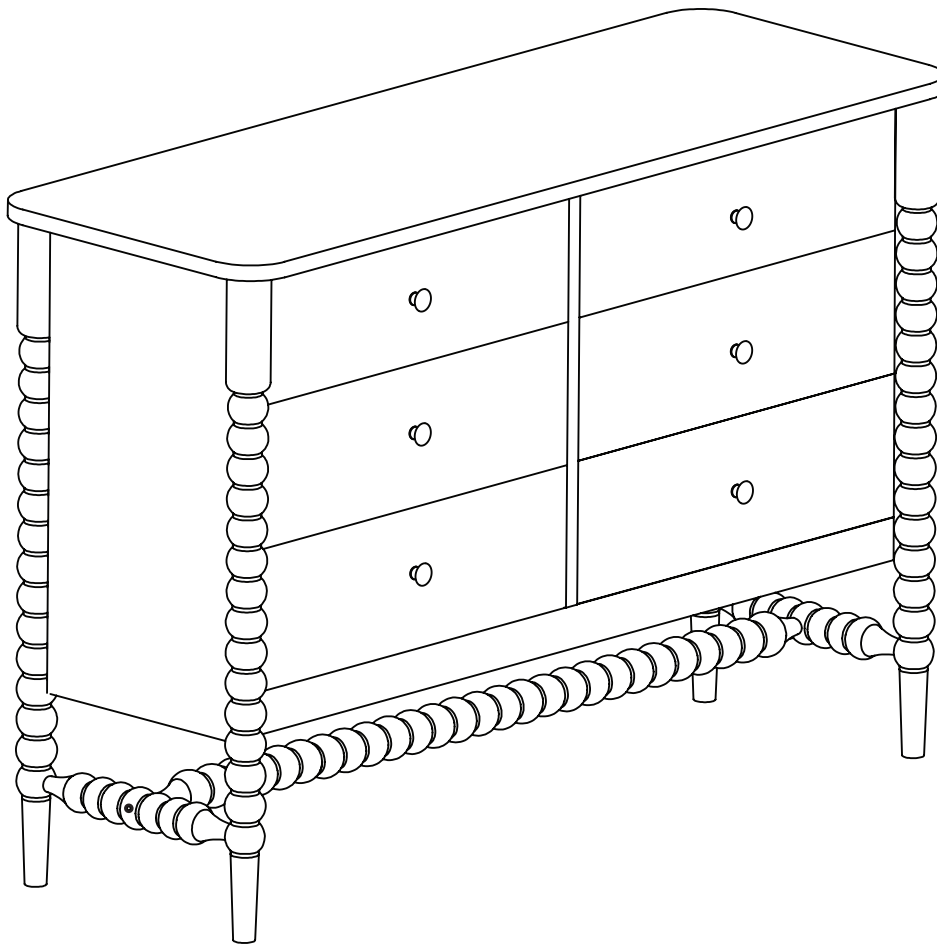
- 10** Bolt & screw the Bed Slats (L) to the Side Rail (D).



9025 6 Drawer Dresser

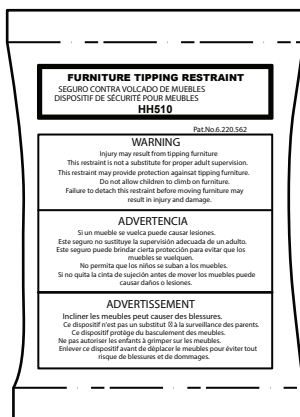
Assembly Instructions

WI-1024



Note: Do not assemble using power tools. This can cause the bolts to be overtightened

WARNING



Anti Tipping Kit
Anti Tipping Kit x 1



Children have died from furniture tipover.

To reduce the risk of furniture tipover:

- ALWAYS install anti-tip device provided.
- NEVER put a TV on this product.
- NEVER allow children to stand, climb, or hang on any drawers, doors or shelves.
- NEVER open more than one drawer at a time.
- DO NOT defeat or remove the drawer interlock system; it is an important stability and safety system.
- Place heaviest items in the lowest drawer.

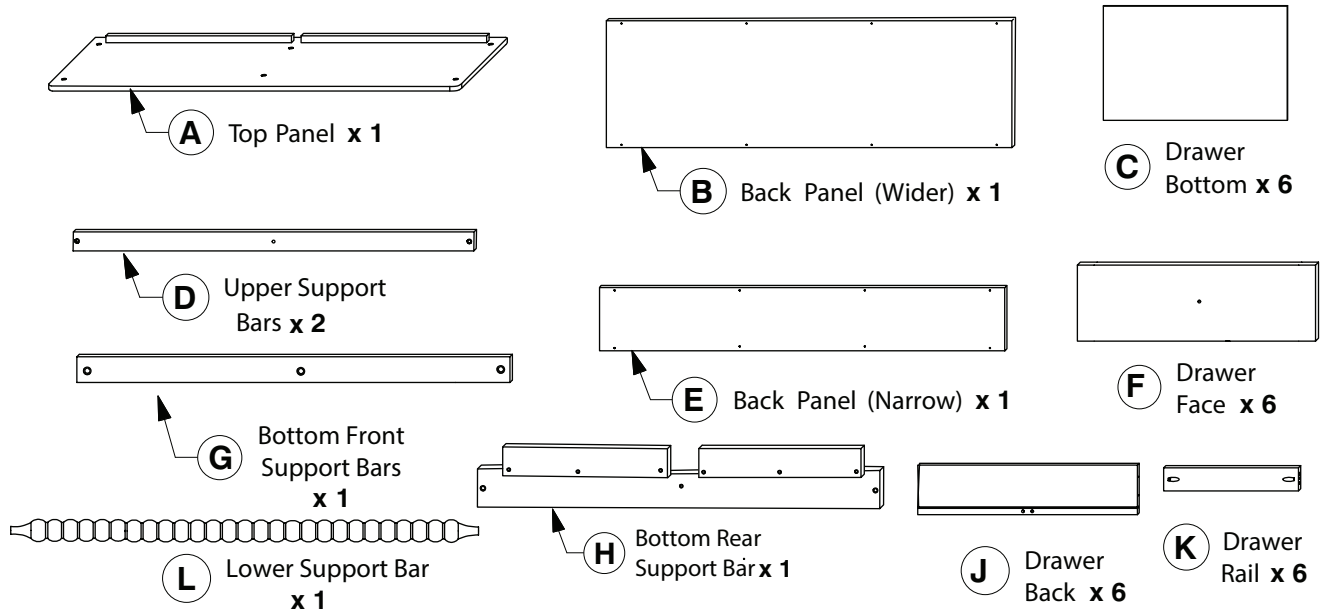
9025 6 Drawer Dresser

Assembly Instructions

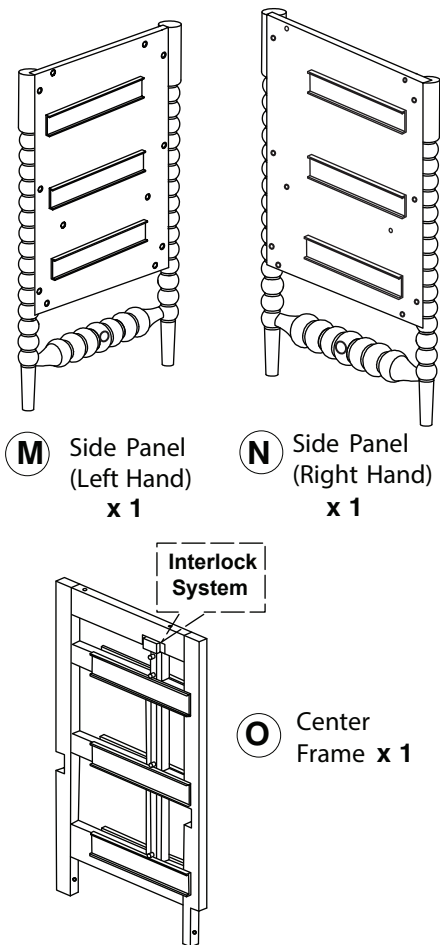
WI-1024

1 Parts List

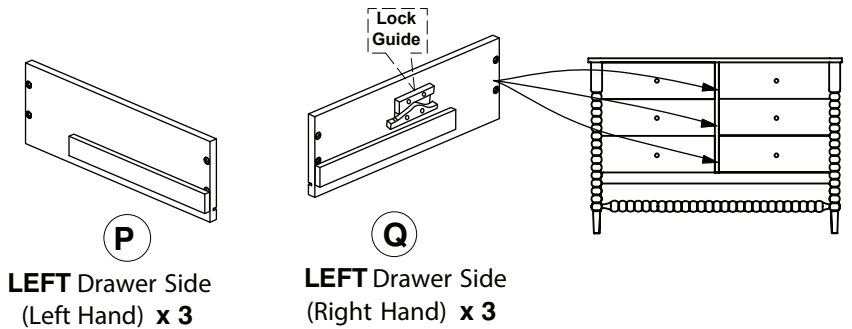
Parts in Box A:



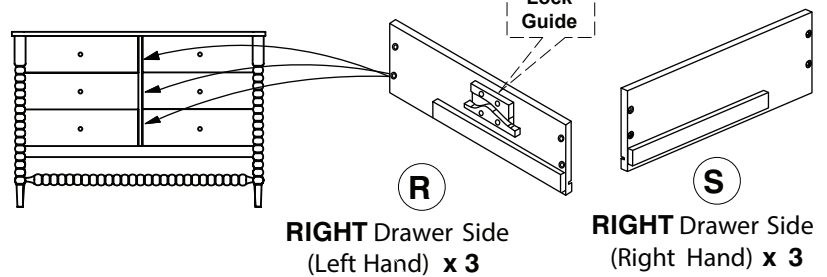
Parts in Box B:



Parts for **LEFT** Side Drawer



Parts for **RIGHT** Side Drawer

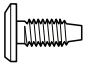



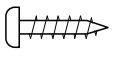
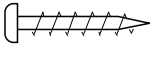
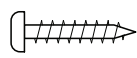
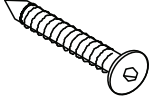

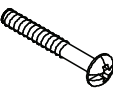




9025 6 Drawer Dresser

Assembly Instructions

WI-1024

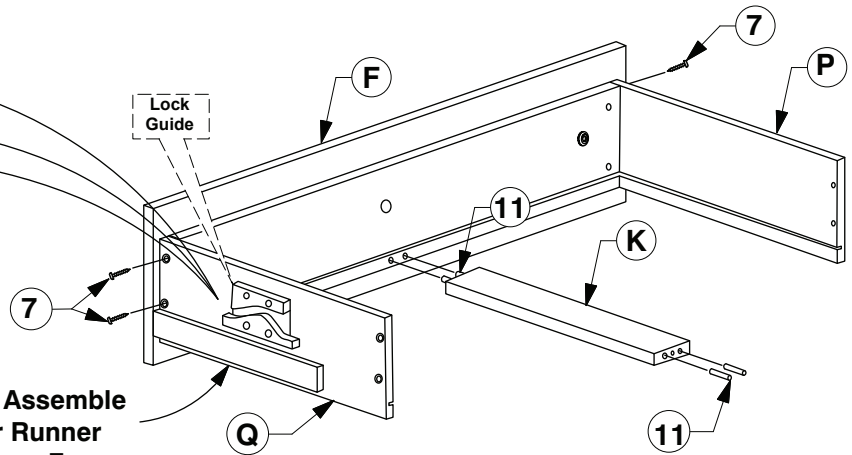
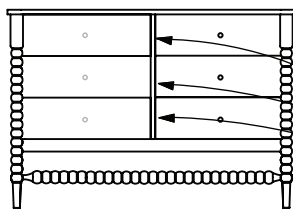
2 Hardware List

- | | | | |
|---|---|--|---|
|  |  |  |  |
| 1 M6 x 15mm JCB x 24 | 2 M6 x 30mm JCB x 4 | 3 M6 x 60mm JCB x 2 | 4 'L' Bracket (5005-3) x 12 |
|  |  |  |  |
| 5 Wood Screw (M4 x 20mm) x 24 | 6 Wood Screw (M4 x 32mm) x 16 | 7 Wood Screw (M4 x 25mm) x 60 | 8 M6 X50mm JCBC W x 2 |
|  |  |  |  |
| 9 Handle x 6 | 10 M4 x 22mm Wood Screw x 6 | 11 M6 x 25mm Wood Dowel x 24 | 12 Allen Key x 1 |

3 Assemble the Drawers.

STEP 3.1

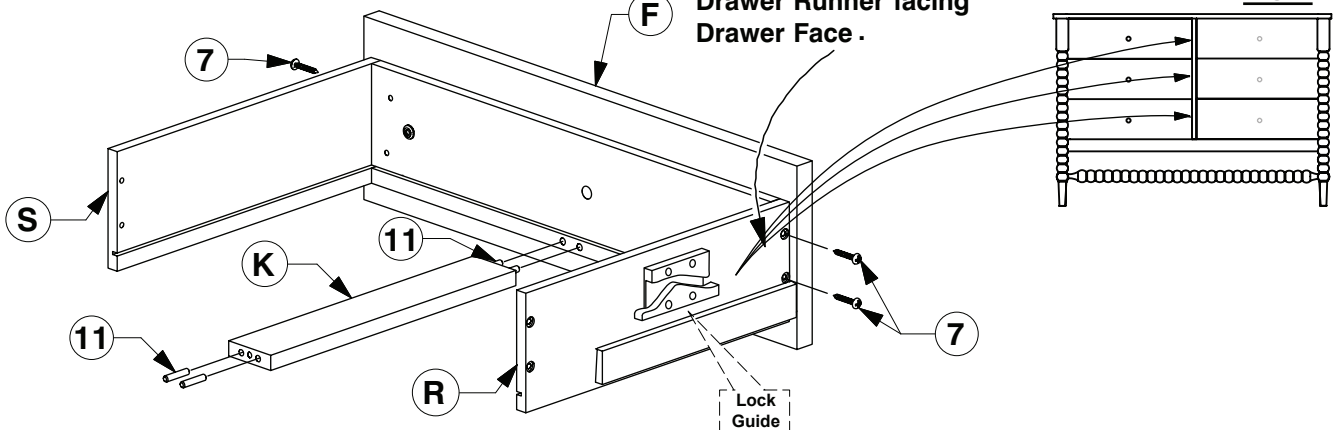
LEFT



Important: Assemble the Drawer Runner facing Drawer Face.

Important: Assemble the Drawer Runner facing Drawer Face .

RIGHT



9025 6 Drawer Dresser

Assembly Instructions

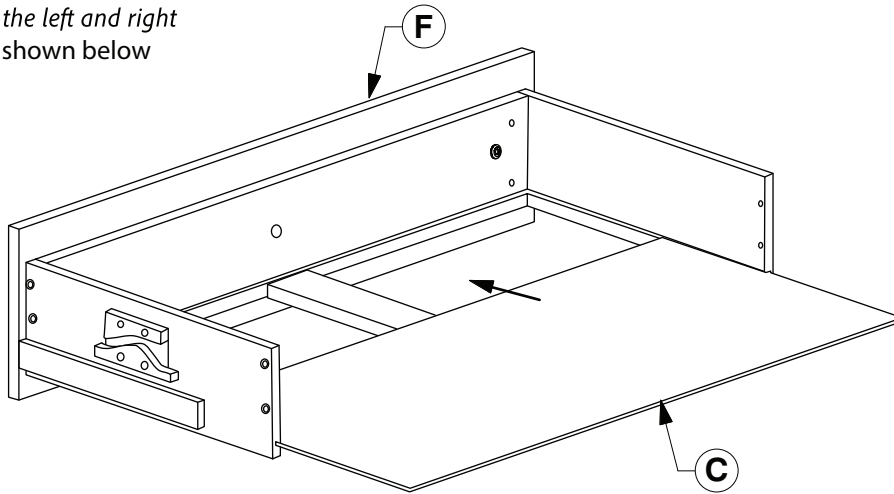
WI-1024

3 Assemble the Drawers.

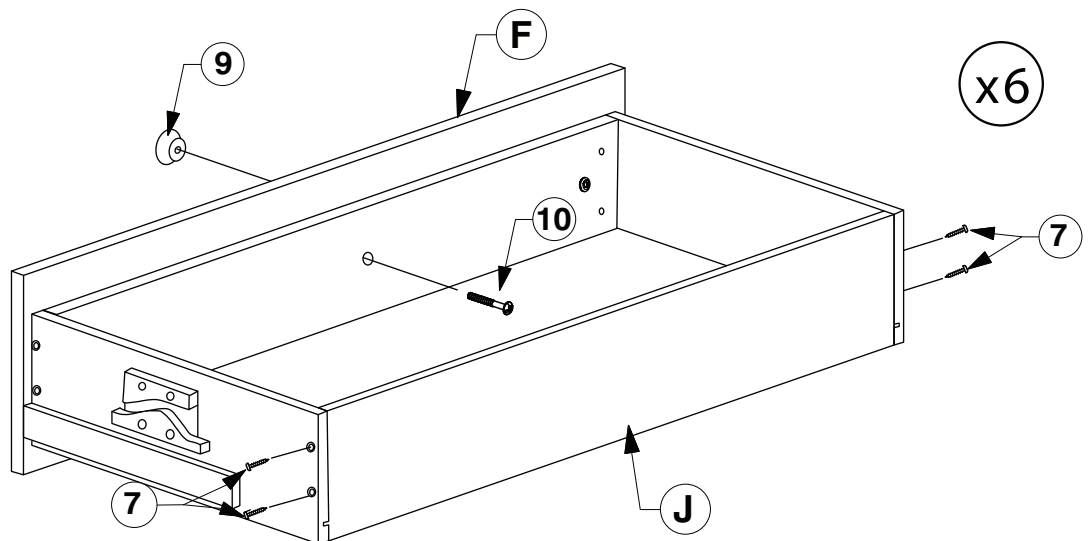
STEP 3.2

* 3 Assemble the left and right drawers as shown below

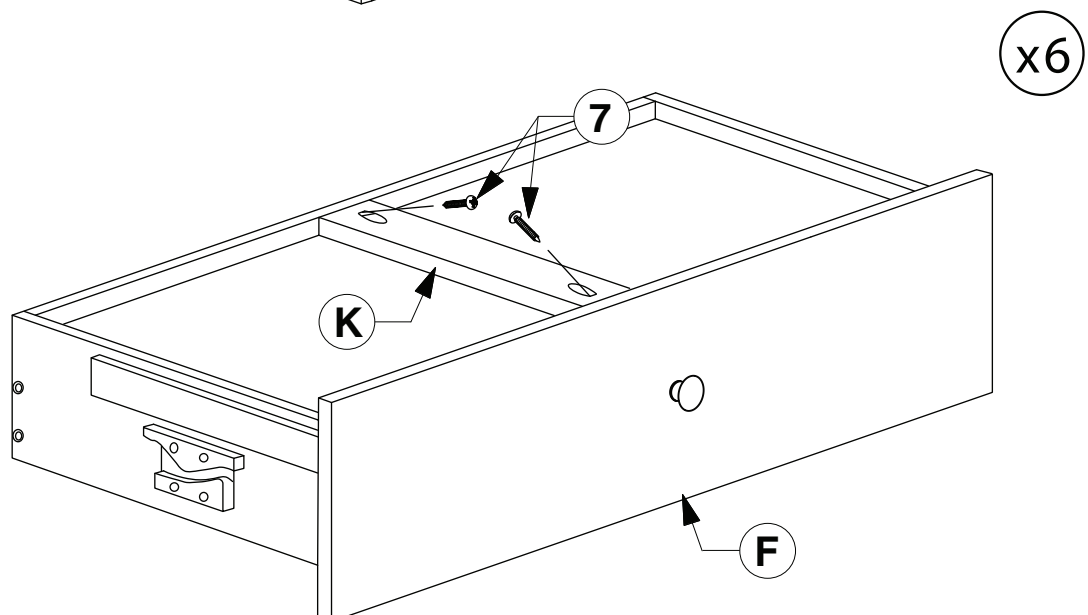
x6



STEP 3.3



STEP 3.4

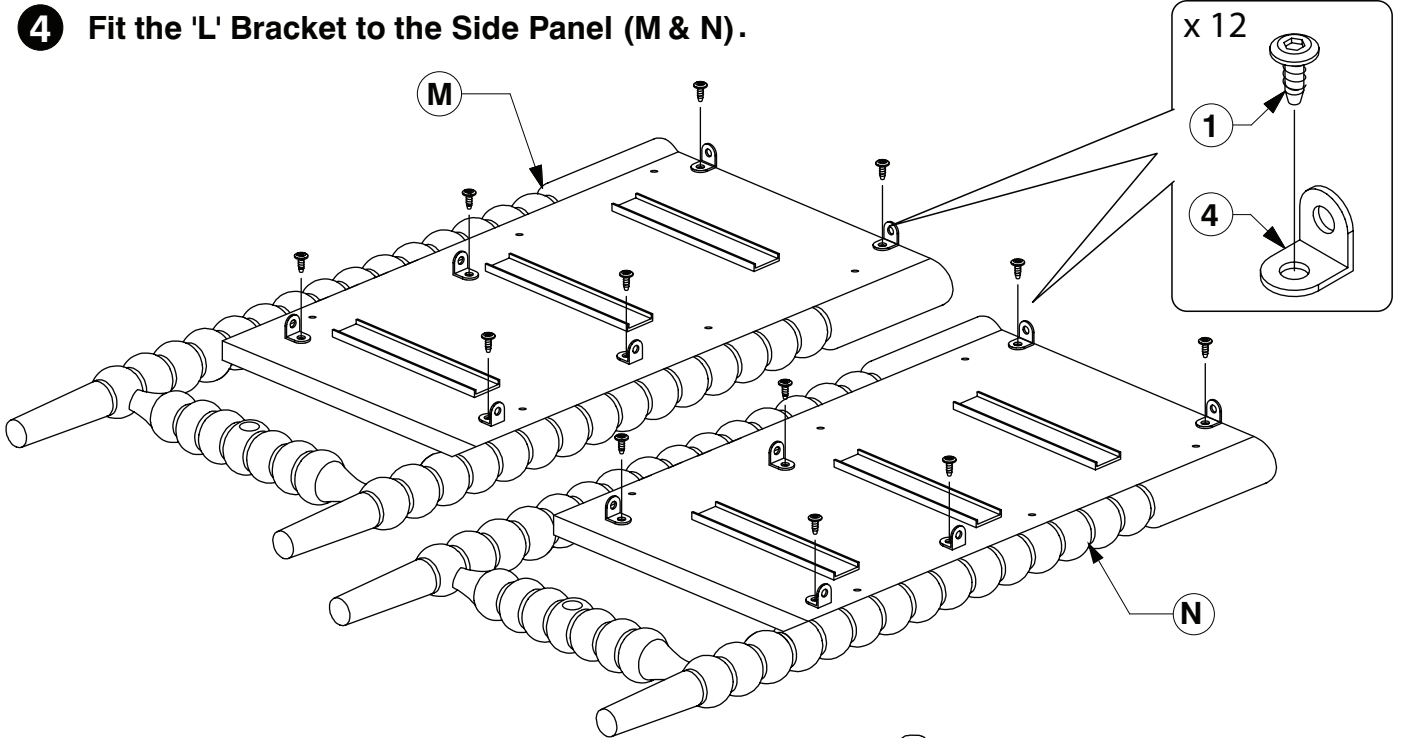


9025 6 Drawer Dresser

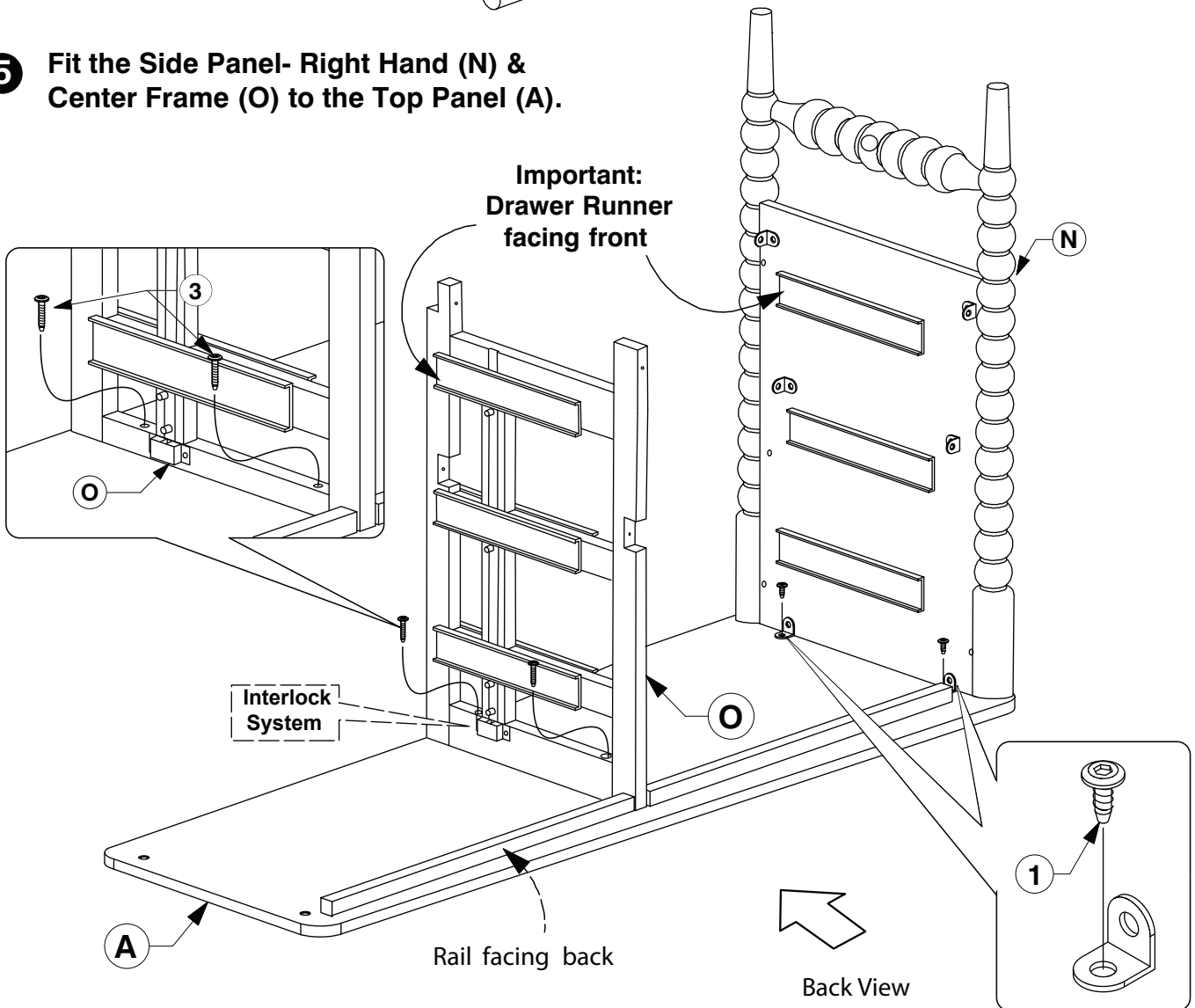
Assembly Instructions

WI-1024

4 Fit the 'L' Bracket to the Side Panel (M & N).



5 Fit the Side Panel- Right Hand (N) & Center Frame (O) to the Top Panel (A).

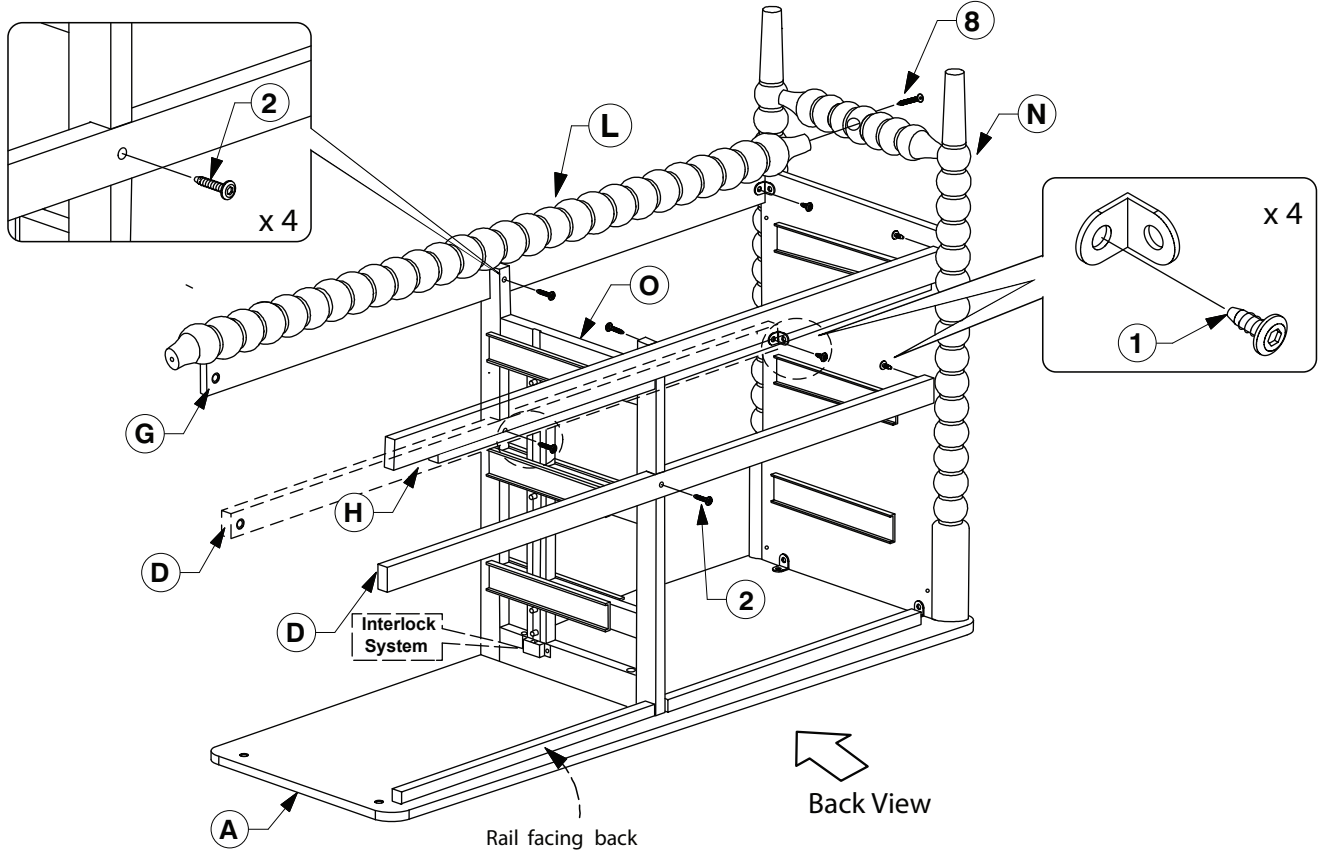


9025 6 Drawer Dresser

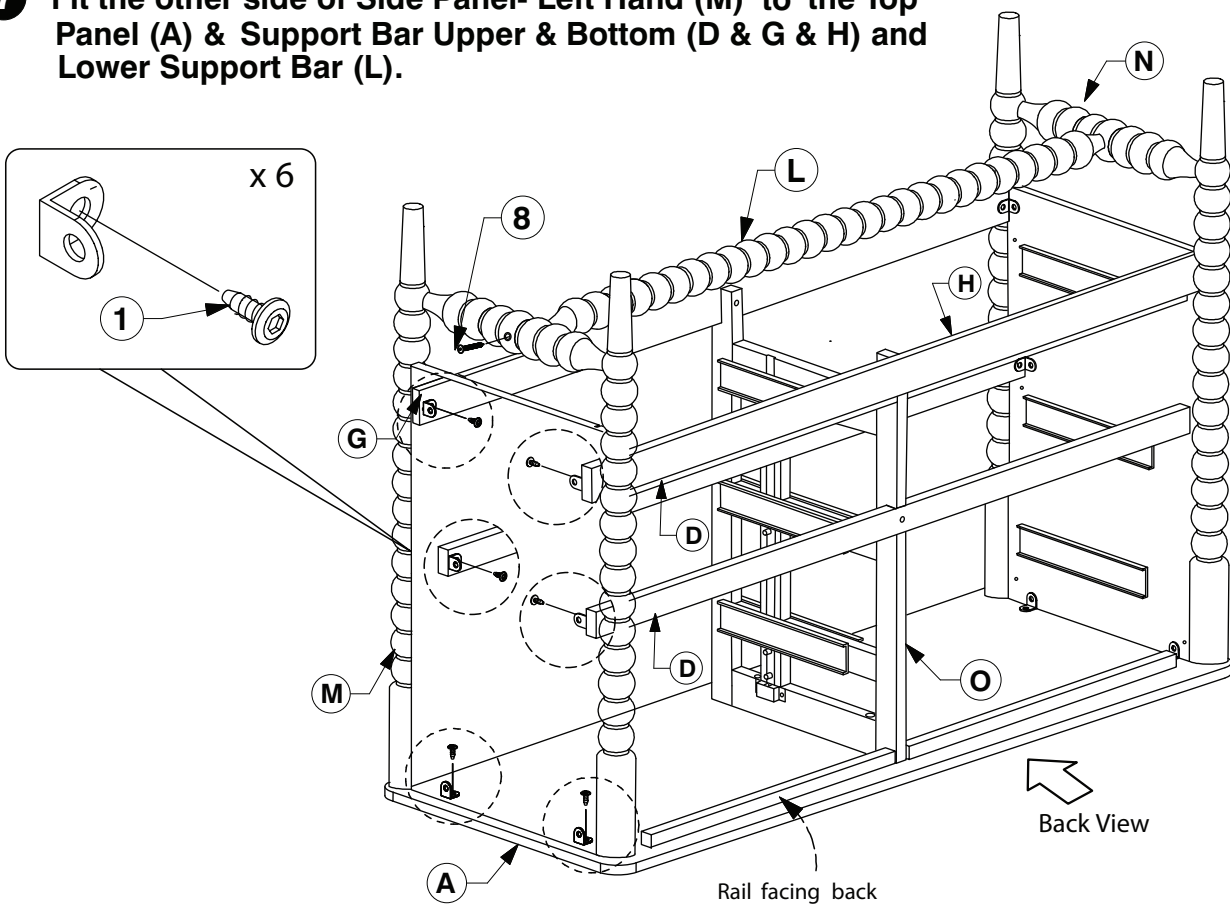
Assembly Instructions

WI-1024

- 6** Fit the Upper Support Bar (D) and Bottom Front & Rear Support Bars (G & H) to the Side Panel-Right Hand (N) & Center Frame (O) as shown. Use JCBCW (8) to fit the Lower Support Bar (L) to the Side Panel (N).



- 7** Fit the other side of Side Panel- Left Hand (M) to the Top Panel (A) & Support Bar Upper & Bottom (D & G & H) and Lower Support Bar (L).

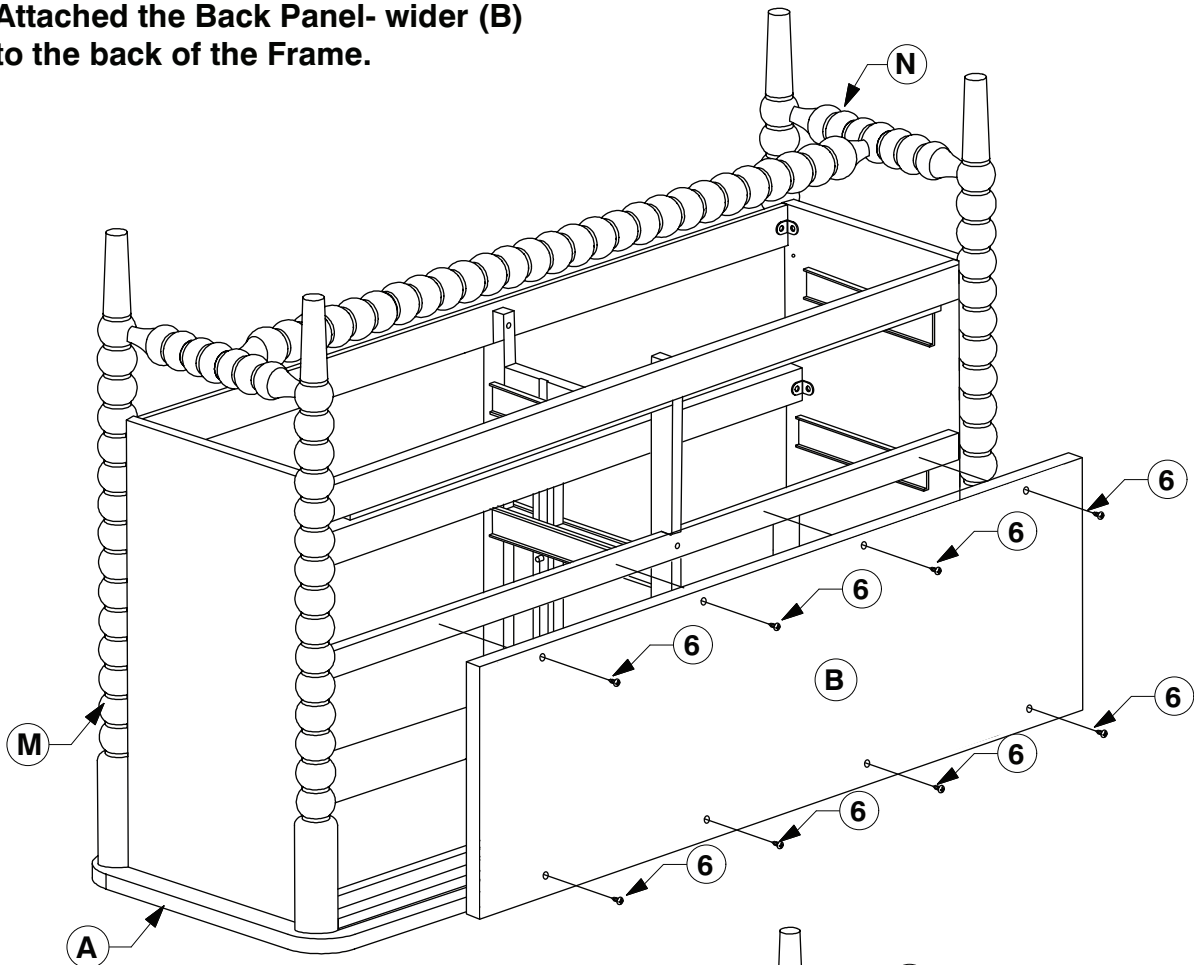


9025 6 Drawer Dresser

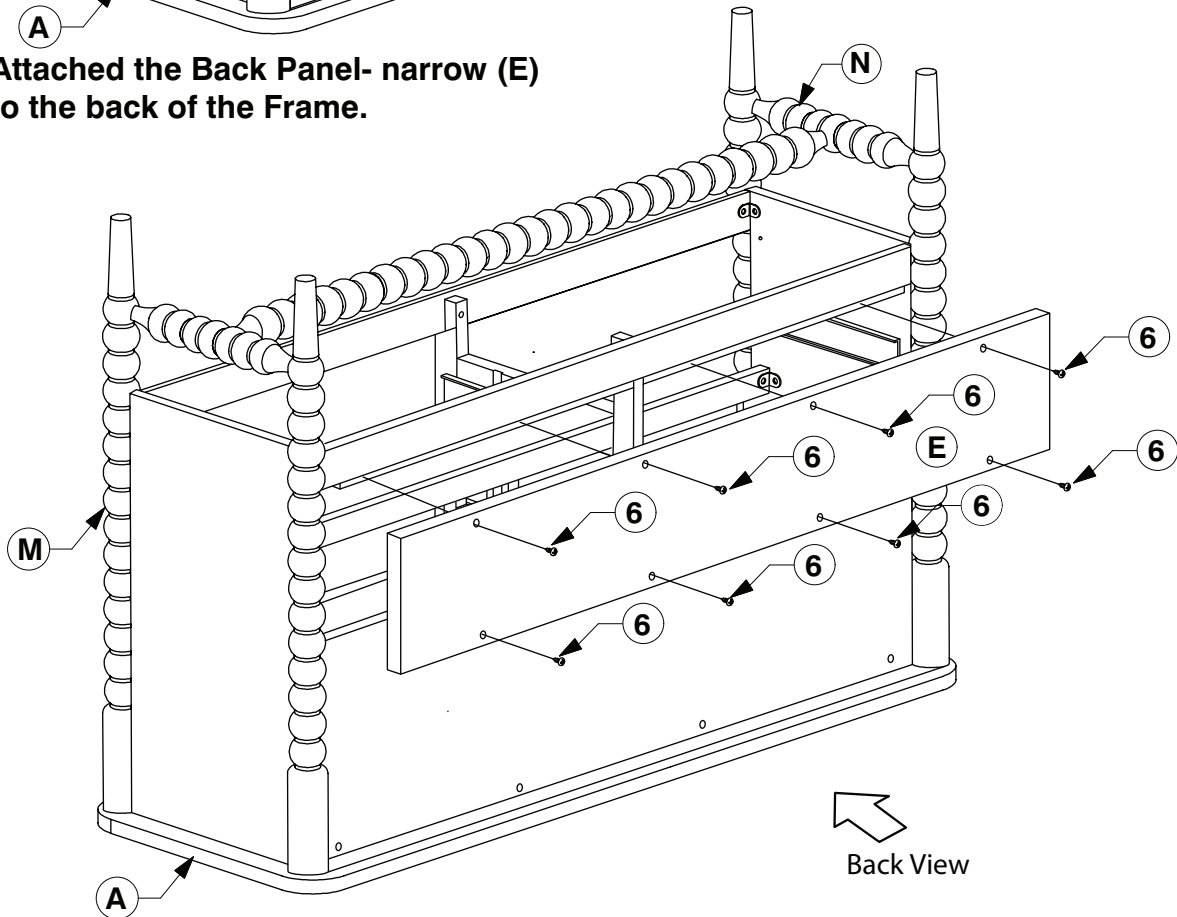
Assembly Instructions

WI-1024

- 8** Attached the Back Panel- wider (B) to the back of the Frame.



- 9** Attached the Back Panel- narrow (E) to the back of the Frame.



9025 6 Drawer Dresser

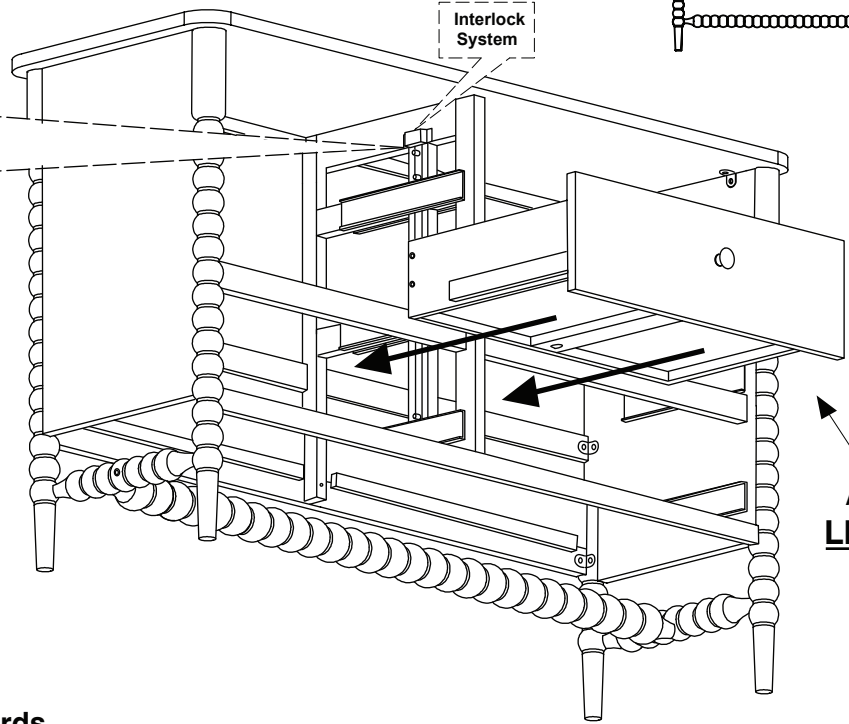
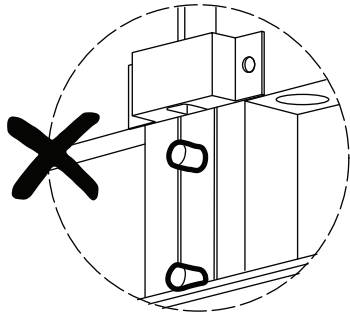
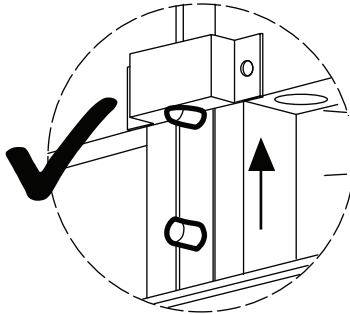
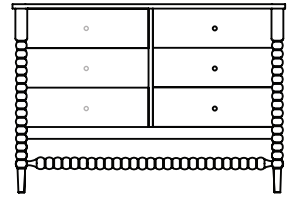
Assembly Instructions

WI-1024

10 Install the Drawers.

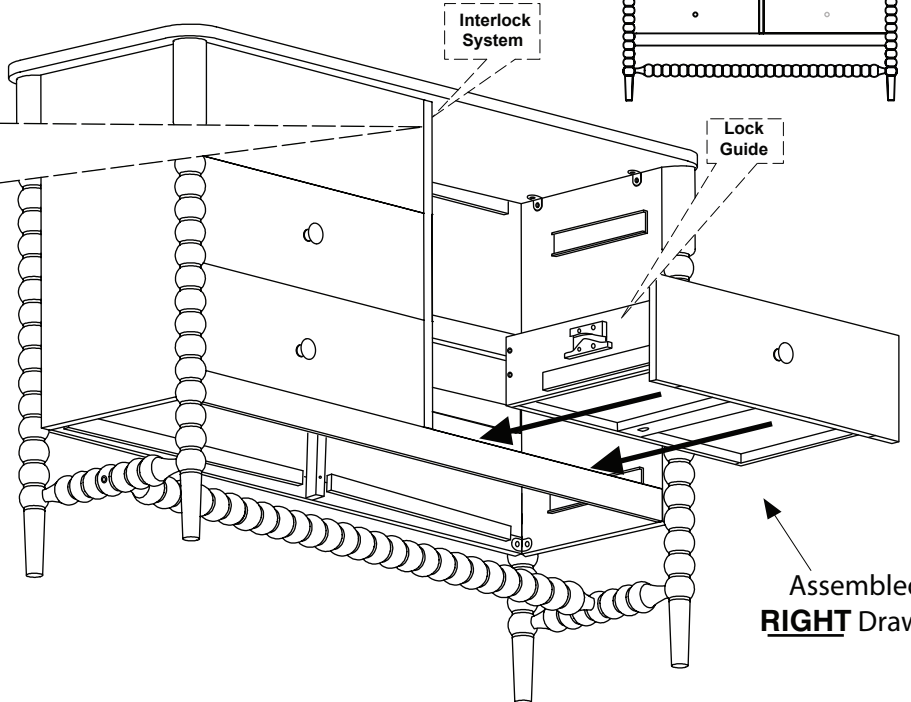
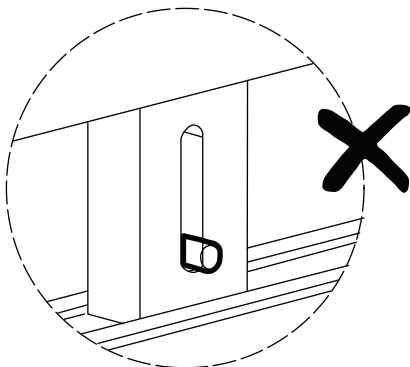
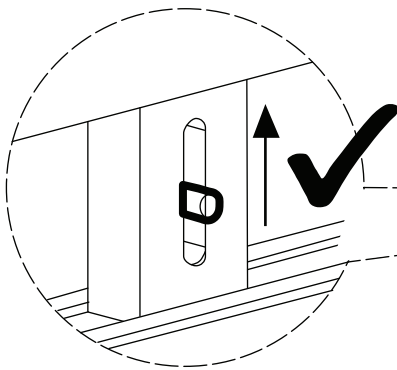
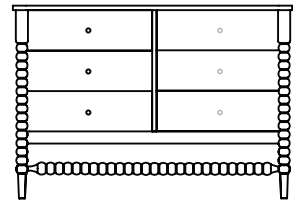
- Push the Interlock bar **upwards** before inserting the drawers.

LEFT



- Push the Interlock bar **upwards** before inserting the drawers.

RIGHT



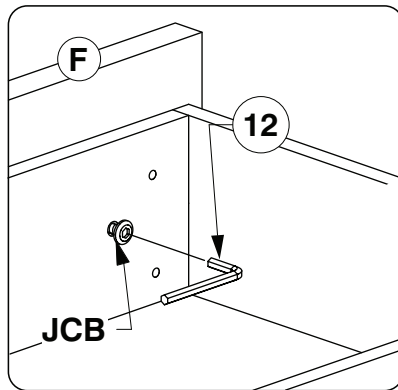
9025 6 Drawer Dresser

Assembly Instructions

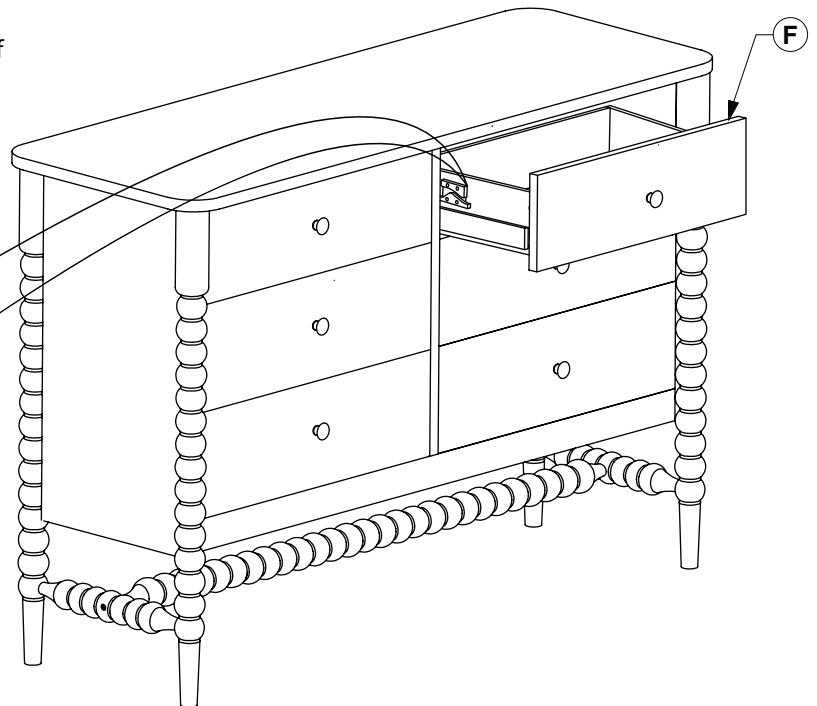
WI-1024

11 Adjust the Drawer Face (F).

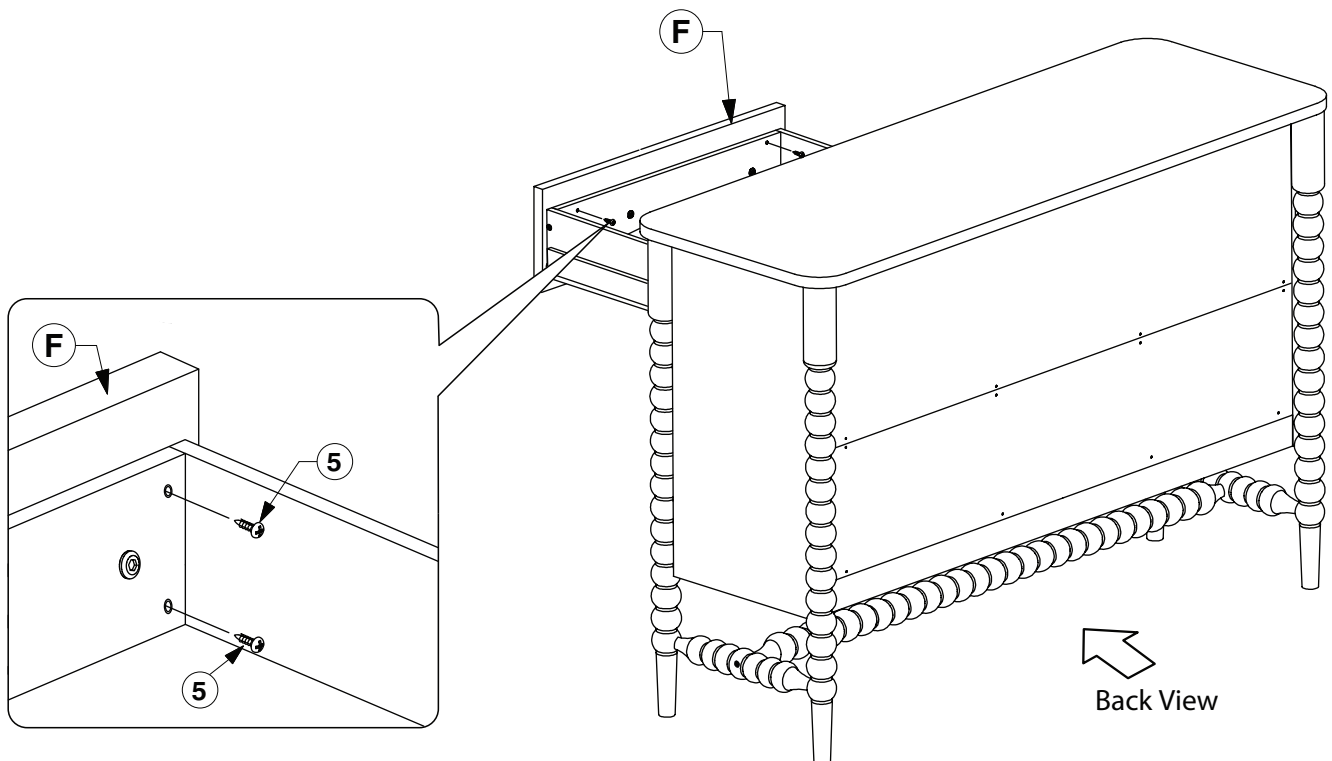
* NOTE: Before fitting the Wood Screws .
Losen the JCBs on the Drawer Face if
the face needs alignment.



* NOTE: Only one Drawer can be open
at a time.



12 After the Drawer Faces (F) are aligned, secure with wood screws.



* NOTE: Only one Drawer can be open
at a time.

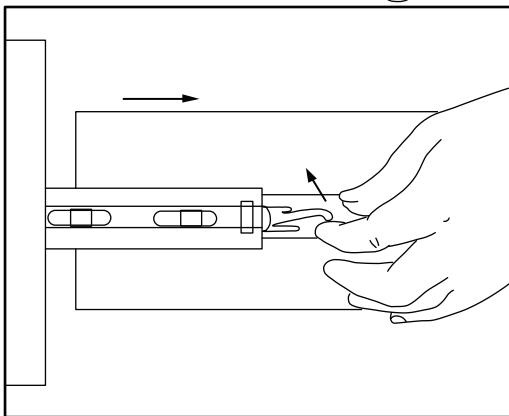
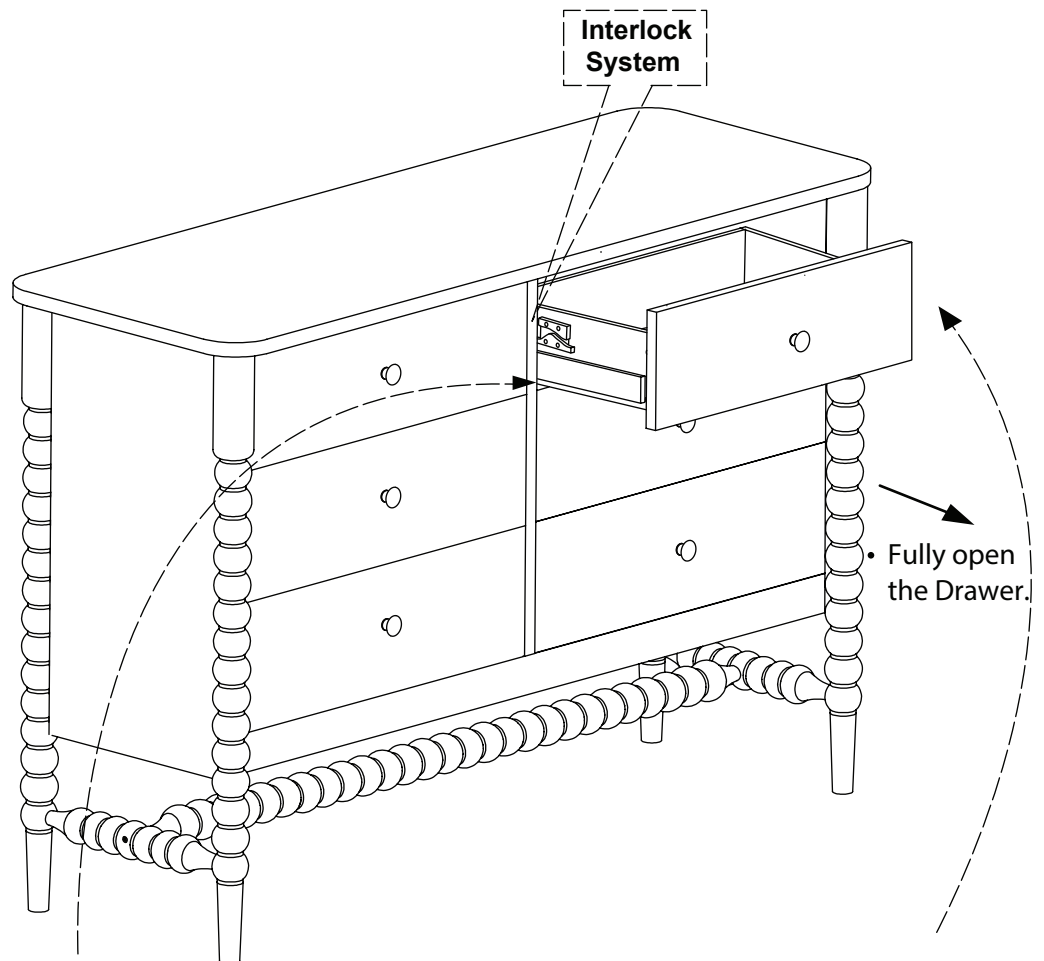
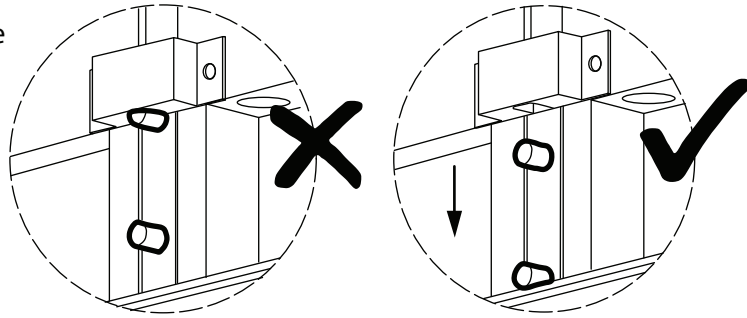
9025 6 Drawer Dresser

Assembly Instructions

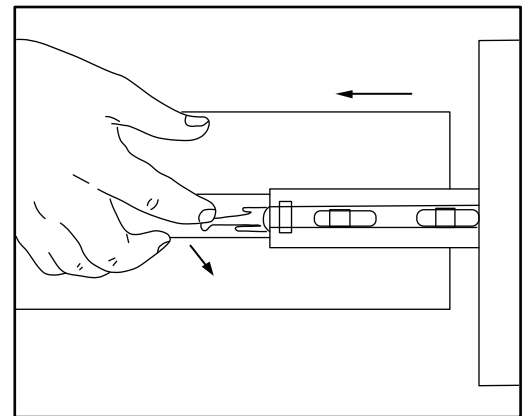
WI-1024

13 Remove the Drawers.

- After removing the top drawer, push the interlock bar **down**. Then remove the lower drawers.



- Lift the **LEFT** side clip up.

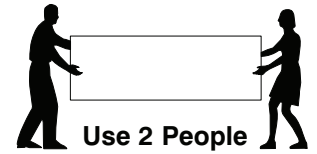
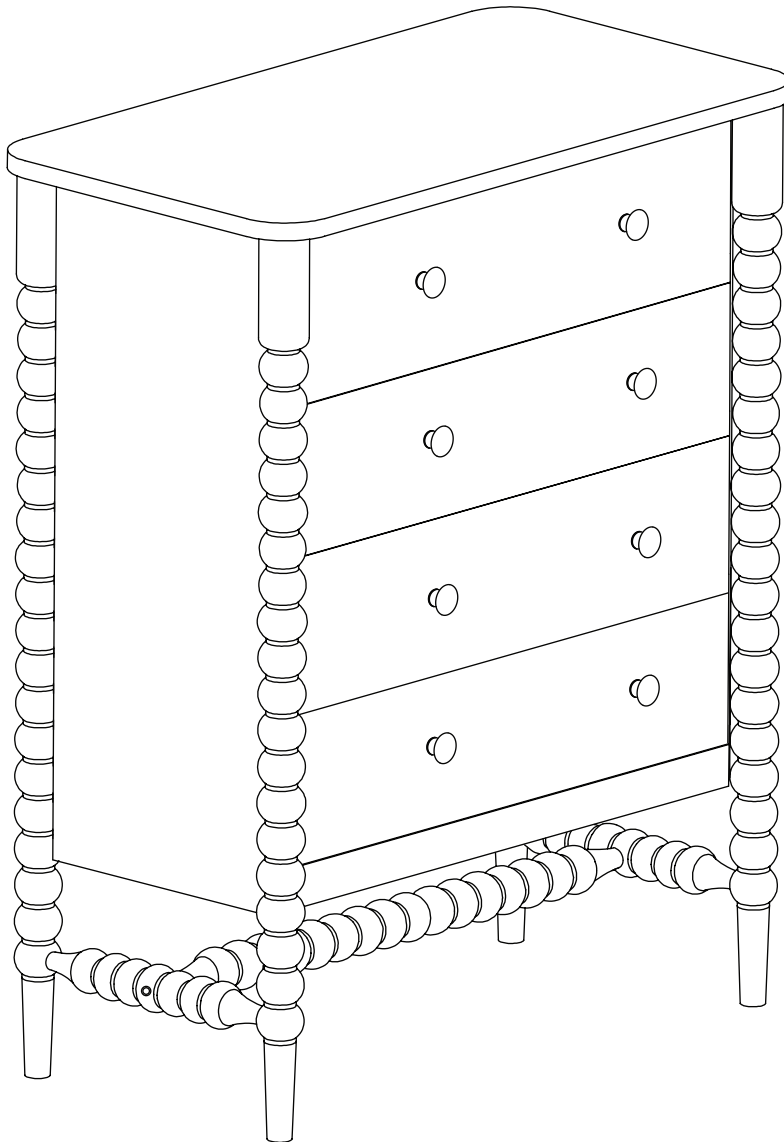


- Push the **RIGHT** side clip down.

9025 4 Drawer Chest

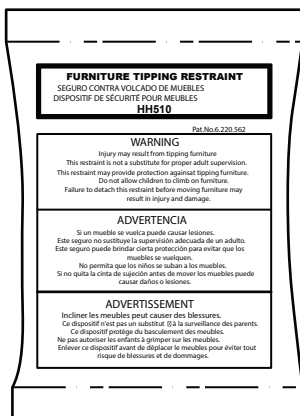
Assembly Instructions

WI-1025



Note: Do not assemble using power tools. This can cause the bolts to be overtightened

WARNING



Anti Tipping Kit
Anti Tipping Kit x 1



Children have died from furniture tipover.

To reduce the risk of furniture tipover:

- ALWAYS install anti-tip device provided.
- NEVER put a TV on this product.
- NEVER allow children to stand, climb, or hang on any drawers, doors or shelves.
- NEVER open more than one drawer at a time.
- DO NOT defeat or remove the drawer interlock system; it is an important stability and safety system.
- Place heaviest items in the lowest drawer.

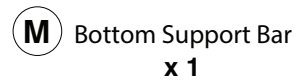
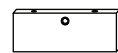
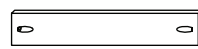
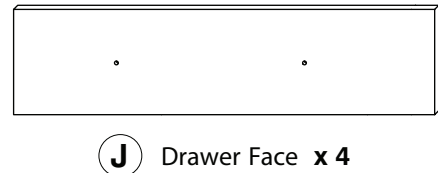
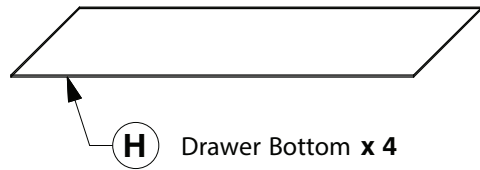
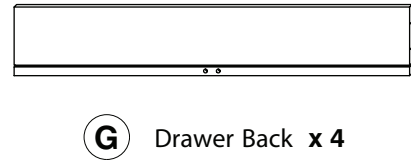
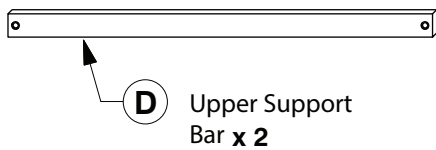
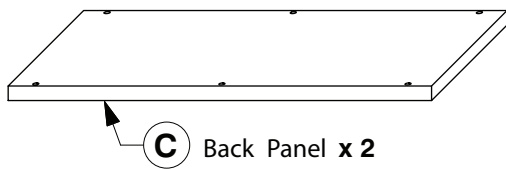
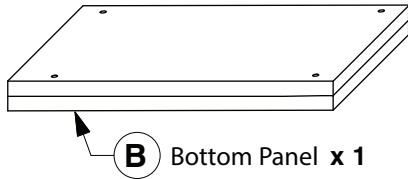
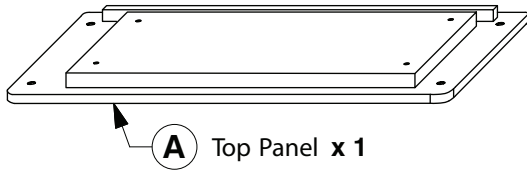
9025 4 Drawer Chest

Assembly Instructions

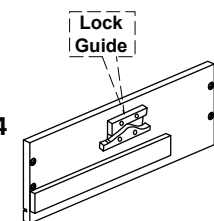
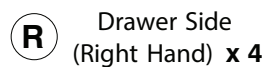
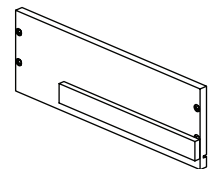
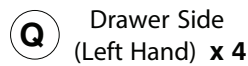
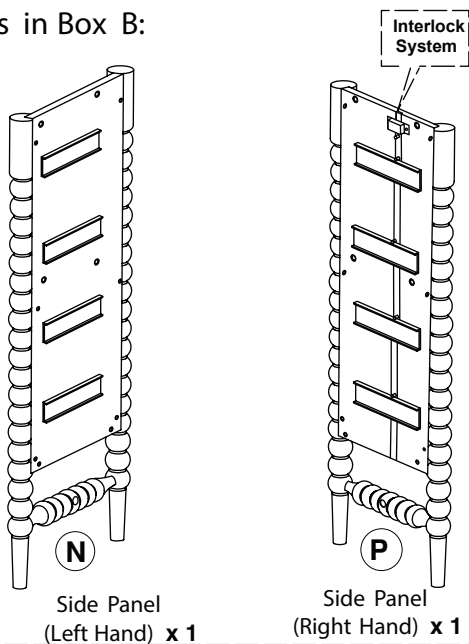
WI-1025

1 Parts List

Parts in Box A:



Parts in Box B:

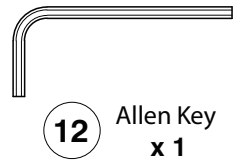
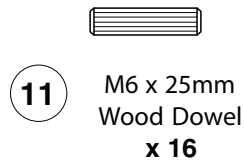
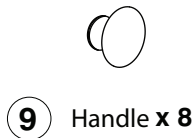
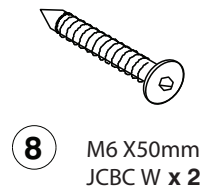
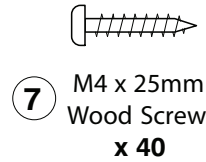
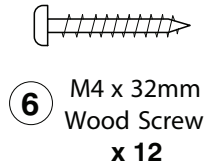
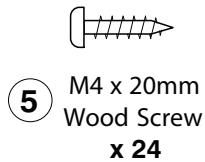
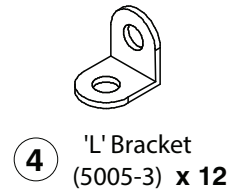
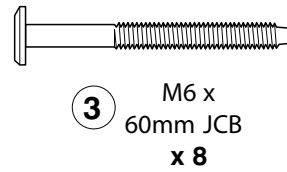
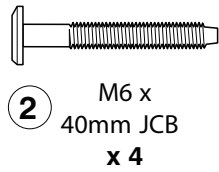
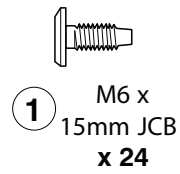


9025 4 Drawer Chest

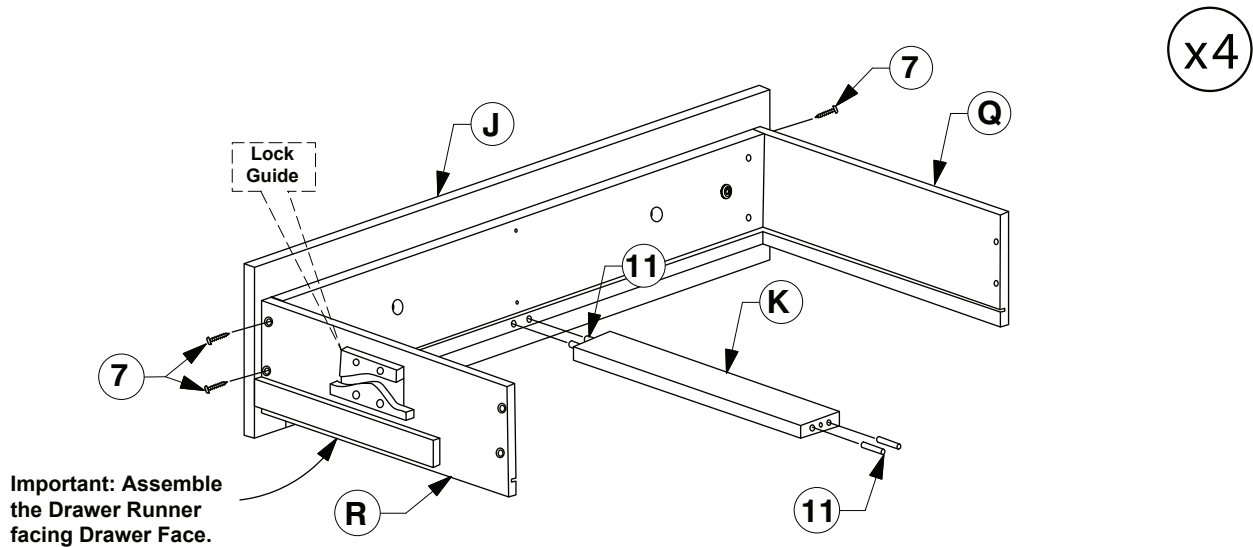
Assembly Instructions

WI-1025

2 Hardware List



3 Assemble the Drawer Sides (Q & R) & Drawer Rail (K) to the Drawer Face (J).



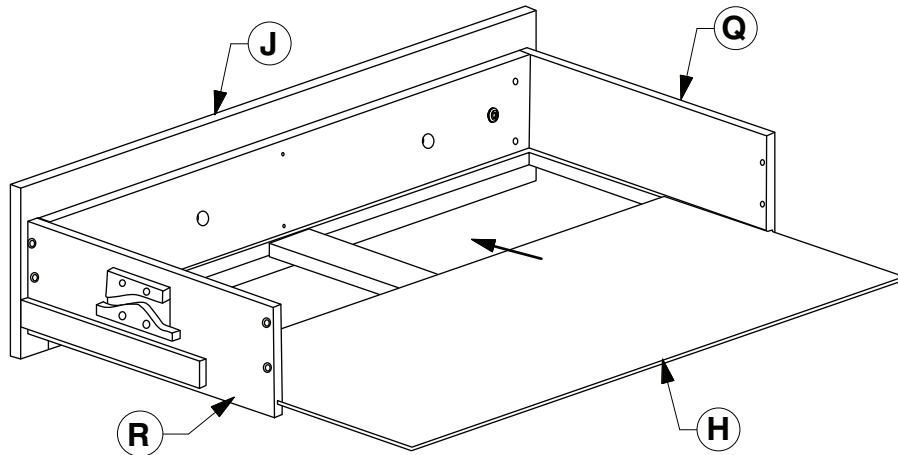
9025 4 Drawer Chest

Assembly Instructions

WI-1025

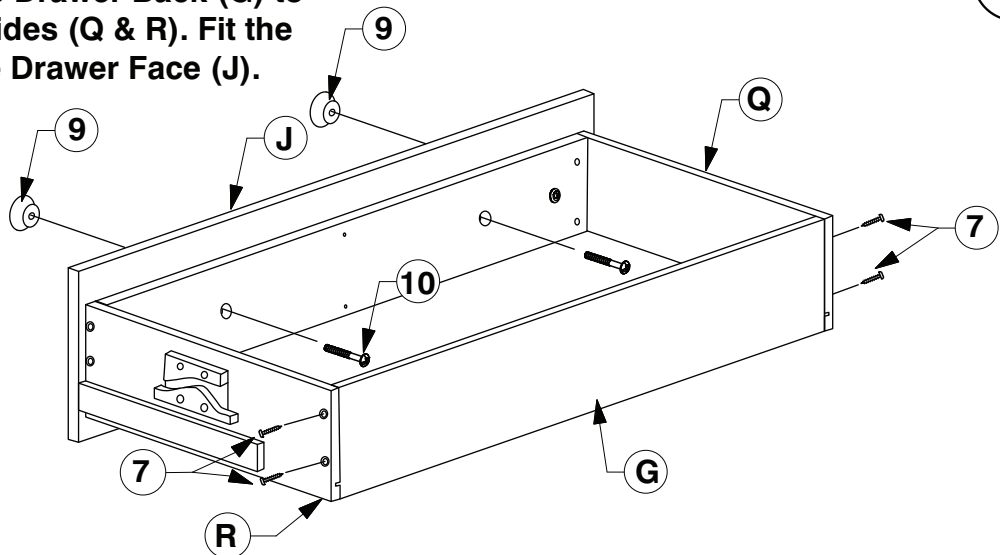
- 4** Slide the Drawer Bottom (H) into the groove on the Drawer Sides (Q & R).

x4



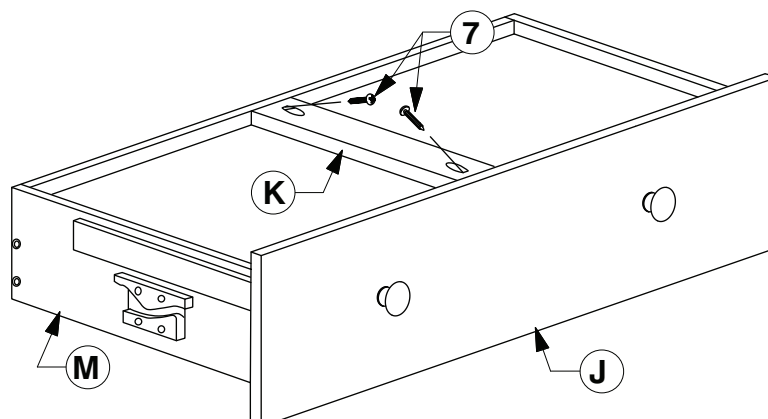
- 5** Assemble the Drawer Back (G) to the Drawer Sides (Q & R). Fit the Handle to the Drawer Face (J).

x4



- 6** Turn the Drawer over to fit angled 25mm Wood screws (7) to the Drawer Rail (K).

x4

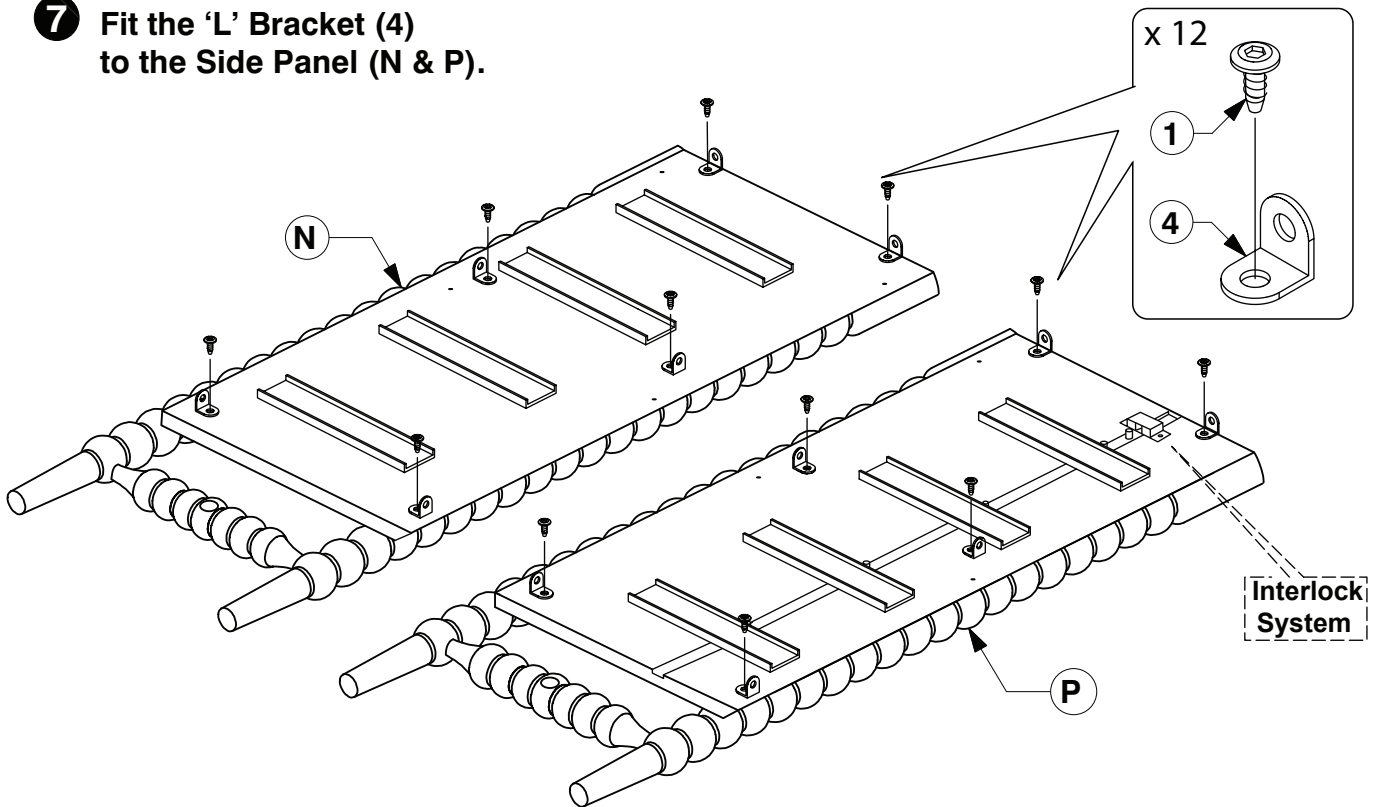


9025 4 Drawer Chest

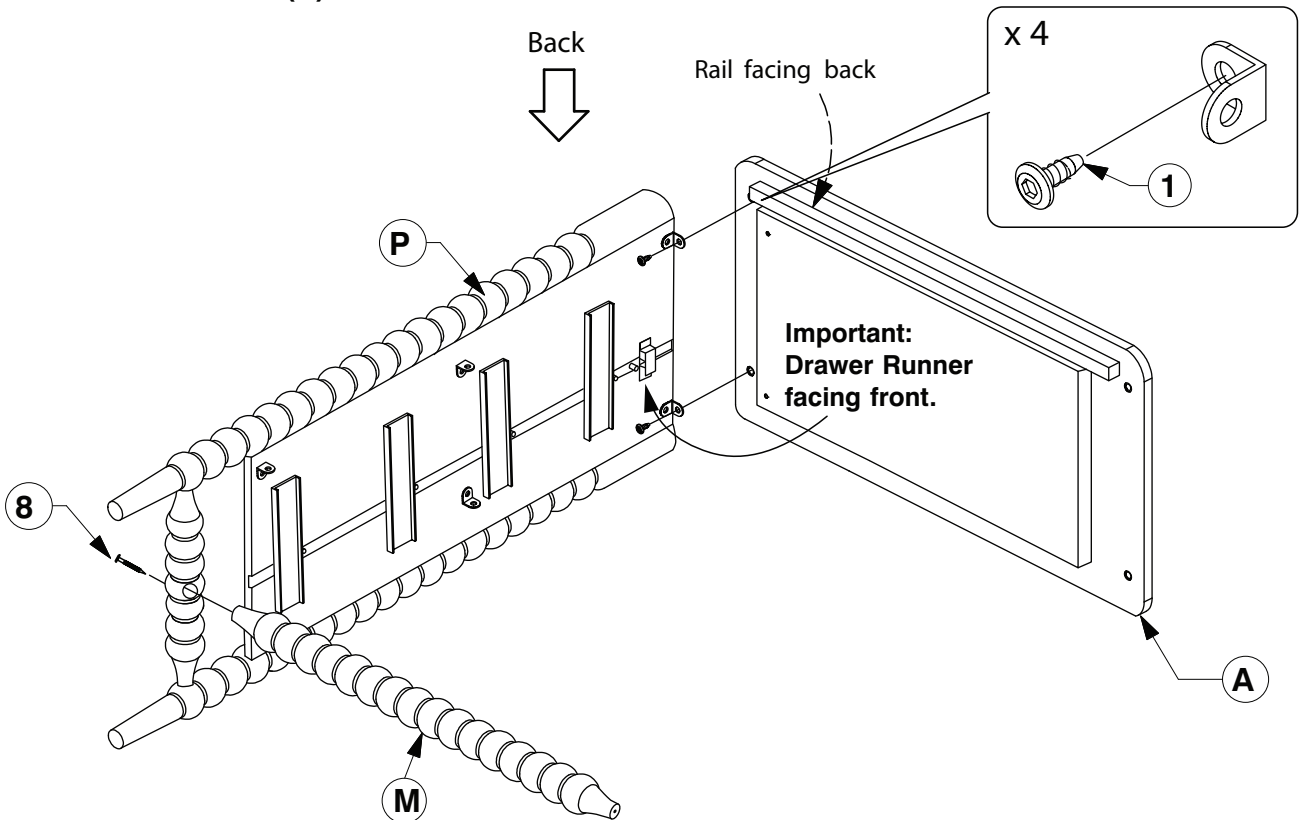
Assembly Instructions

WI-1025

- 7** Fit the 'L' Bracket (4) to the Side Panel (N & P).



- 8** Assembled the Top Panel (A) and Bottom Support Bar (M) to the Side Panel (P)

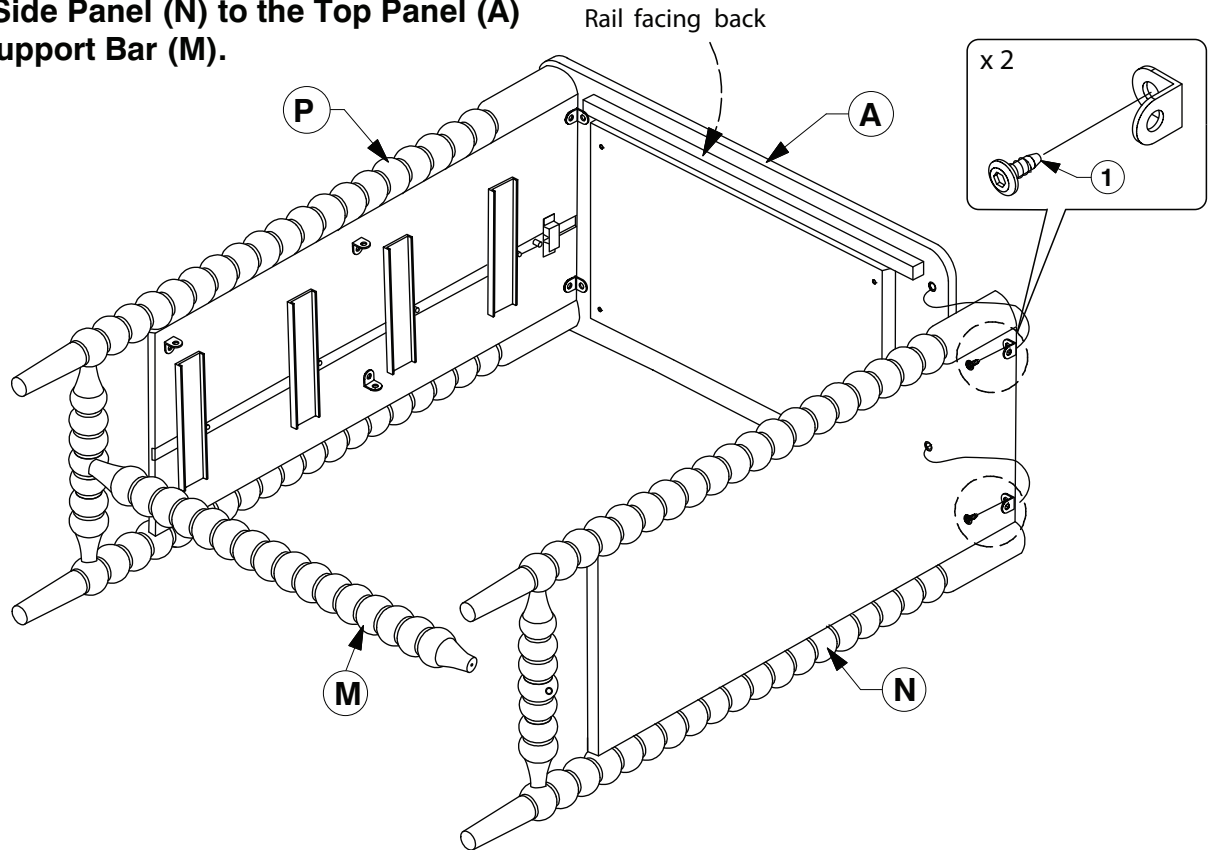


9025 4 Drawer Chest

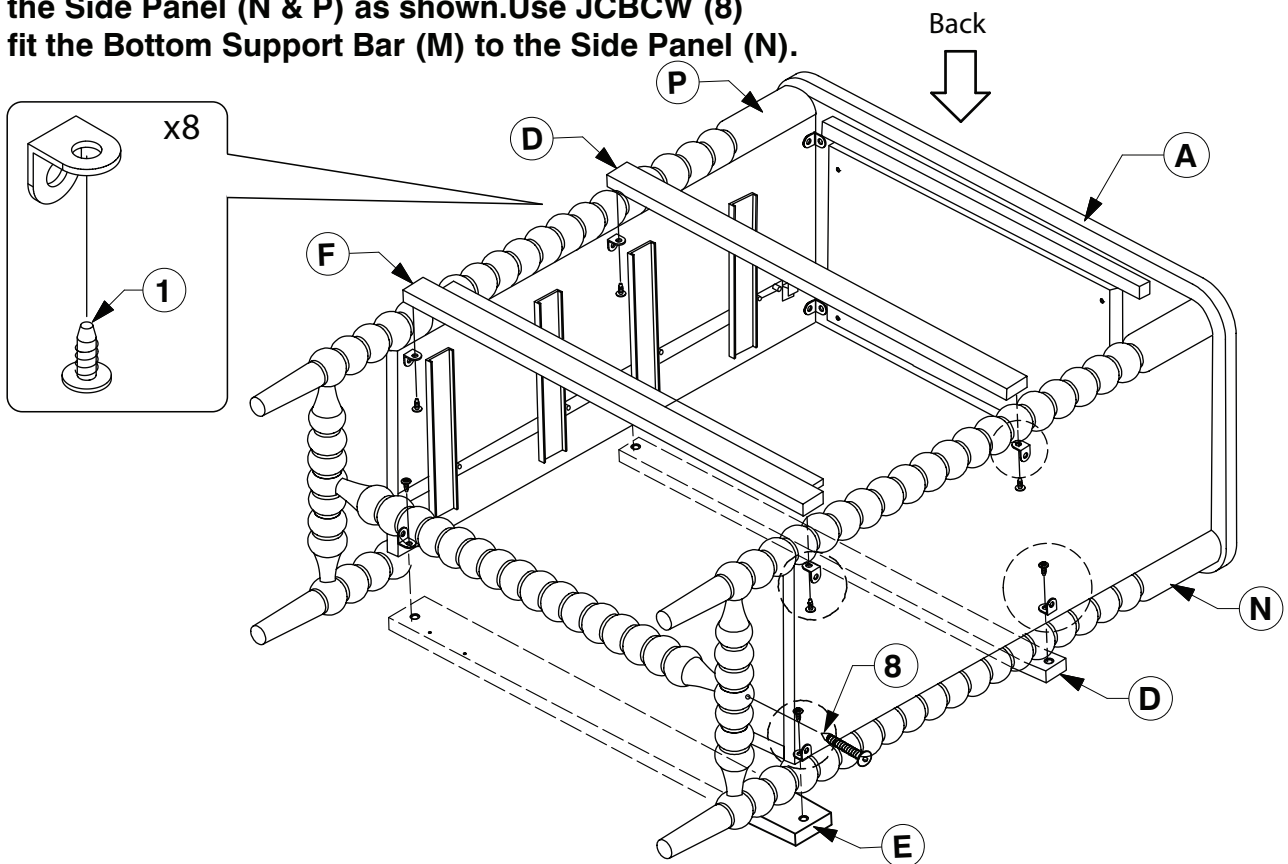
Assembly Instructions

WI-1025

- 9** Attached the Side Panel (N) to the Top Panel (A) and Bottom Support Bar (M).



- 10** Fit the Support Bar Upper & Bottom (D & E & F) to the Side Panel (N & P) as shown. Use JCBCW (8) to fit the Bottom Support Bar (M) to the Side Panel (N).

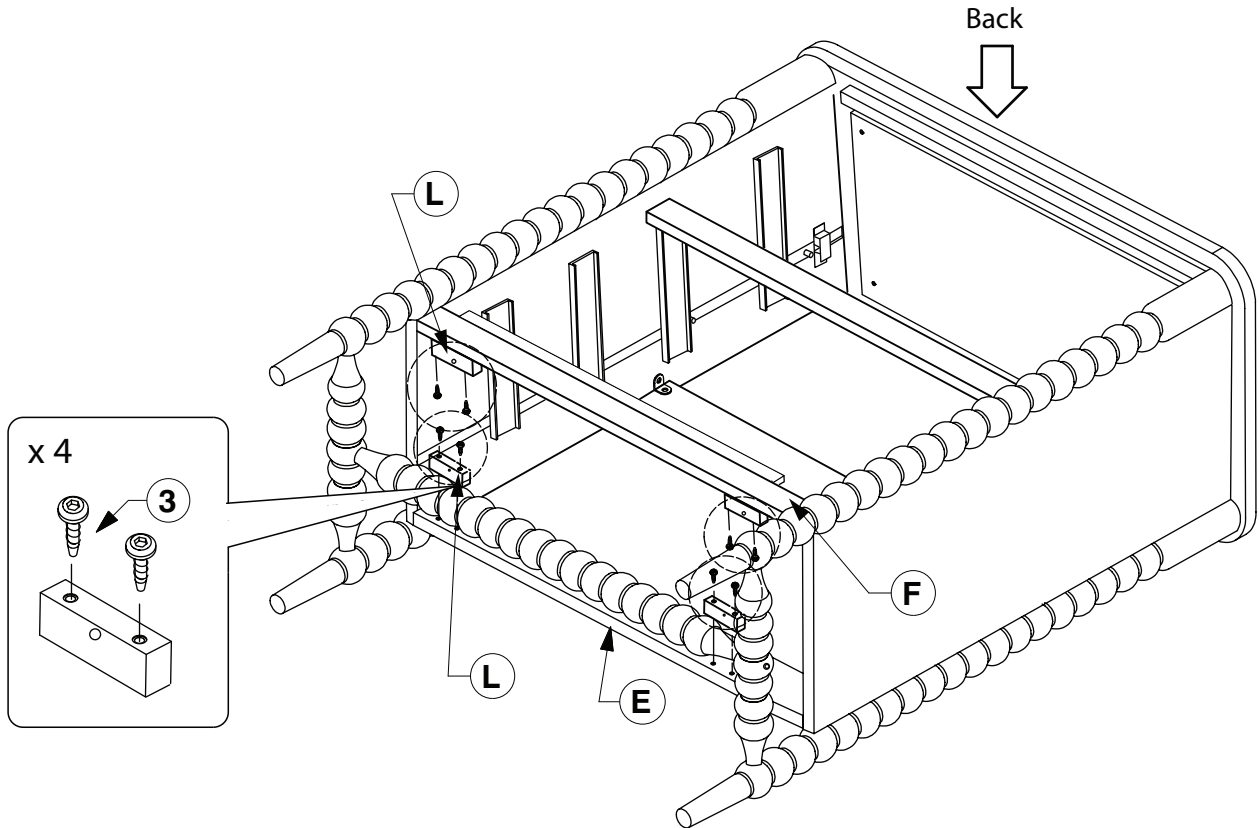


9025 4 Drawer Chest

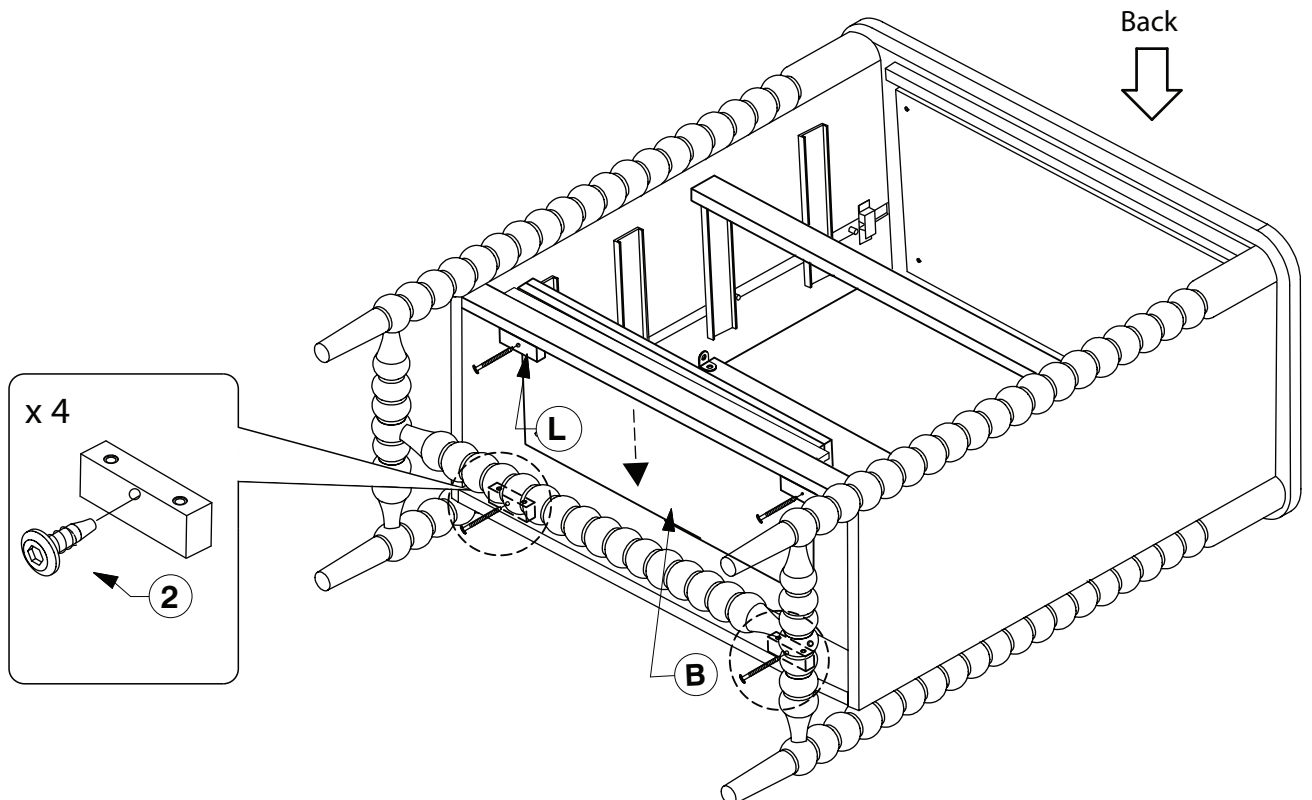
Assembly Instructions

WI-1025

- 11** Assembled the Bottom Support (L) to the Bottom Front & Rear Support Bar (E & F) as shown.



- 12** Bolt the Bottom Support (L) to the Bottom Panel (B) as shown.

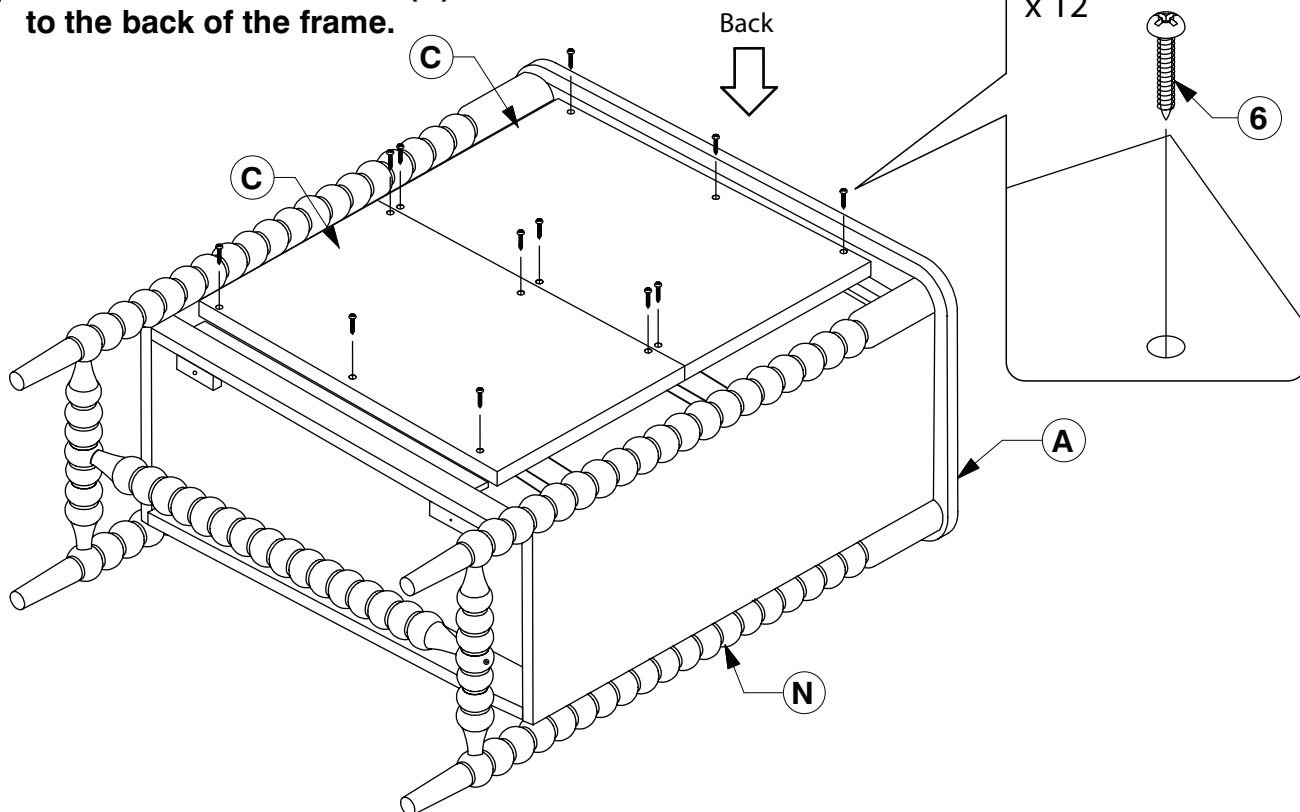


9025 4 Drawer Chest

Assembly Instructions

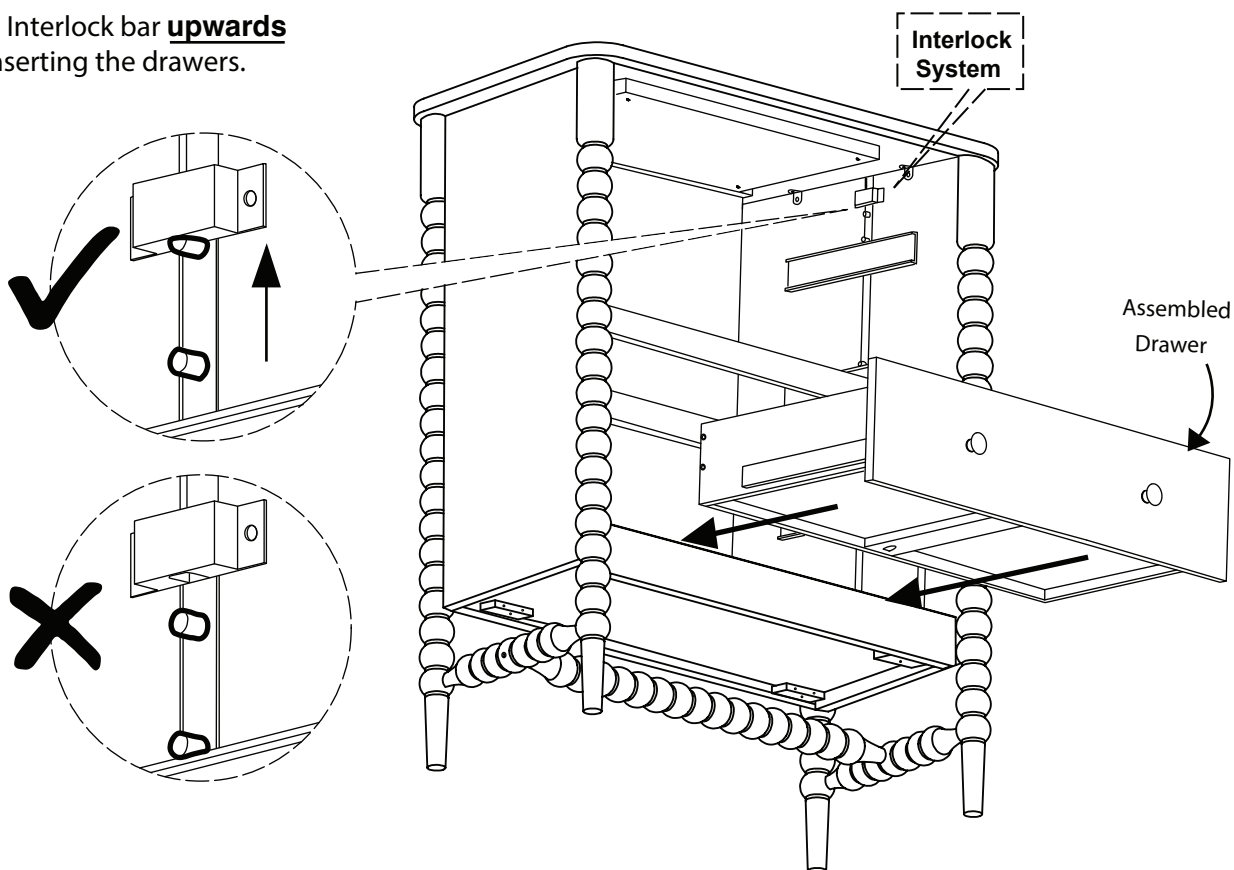
WI-1025

13 Attached the Back Panel (C) to the back of the frame.



14 Install the Drawer.

- Push the Interlock bar upwards before inserting the drawers.



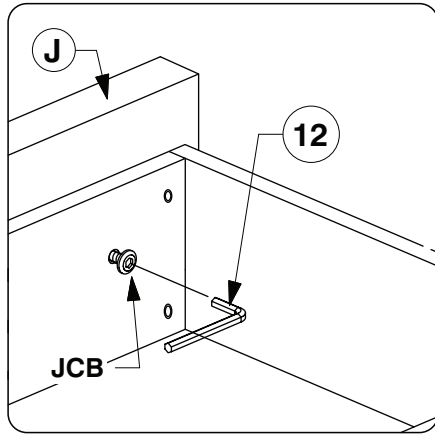
9025 4 Drawer Chest

Assembly Instructions

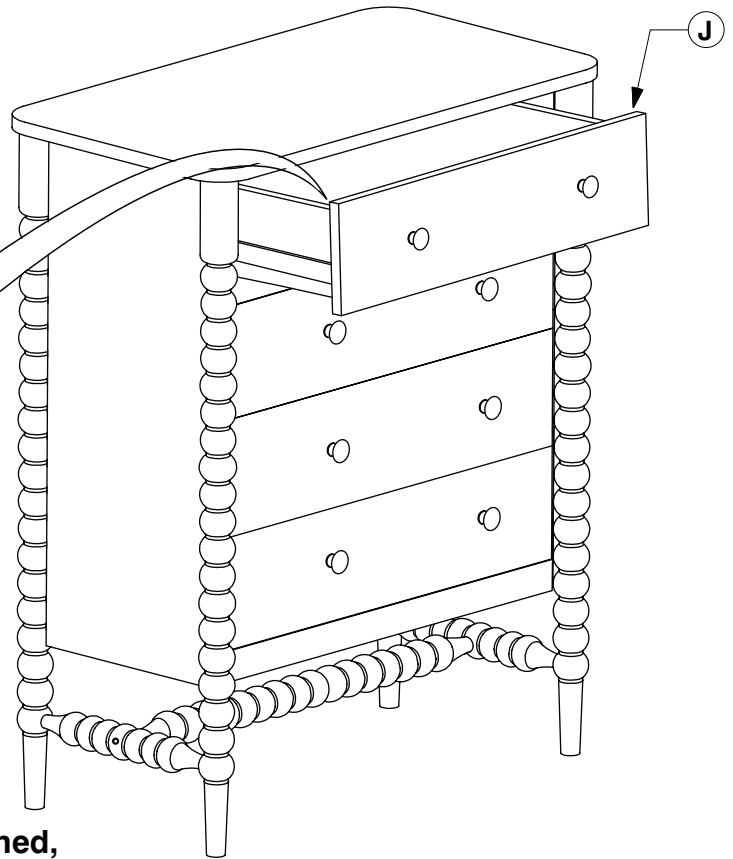
WI-1025

15 Fit and adjust the Drawer Face (J).

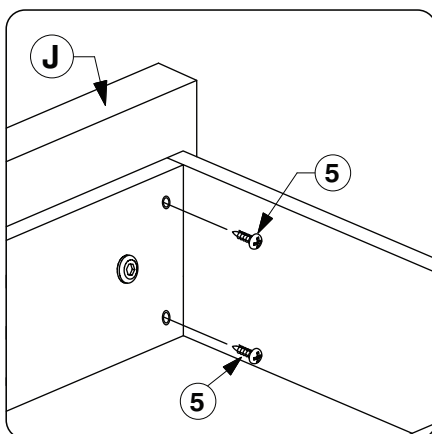
* NOTE: Before fitting the Wood Screws .
Losen the JCBs on the Drawer Face if
the face needs alignment .



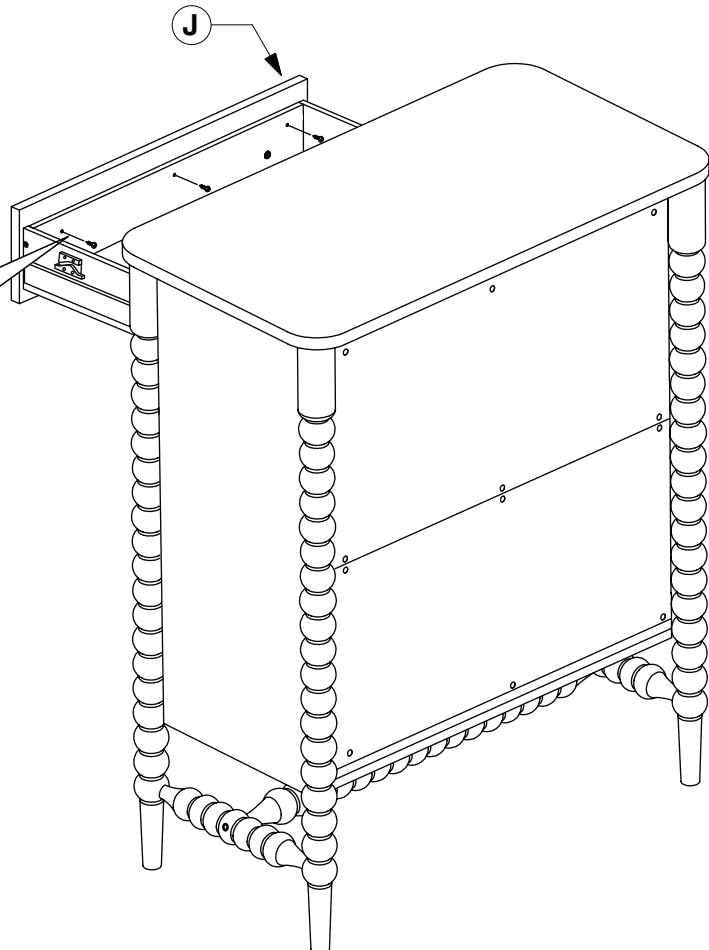
* NOTE: Only one Drawer can be open
at a time.



16 After the Drawer Faces (J) are aligned, secure with wood screws.



* NOTE: Only one Drawer can be open
at a time.



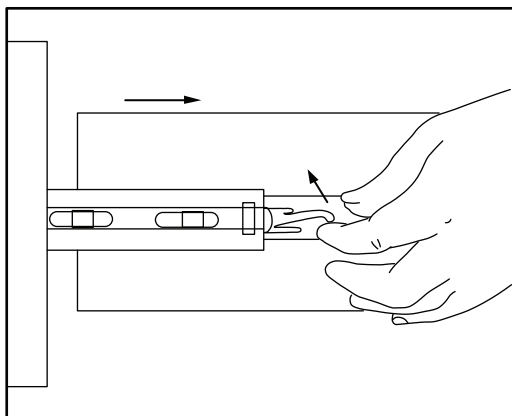
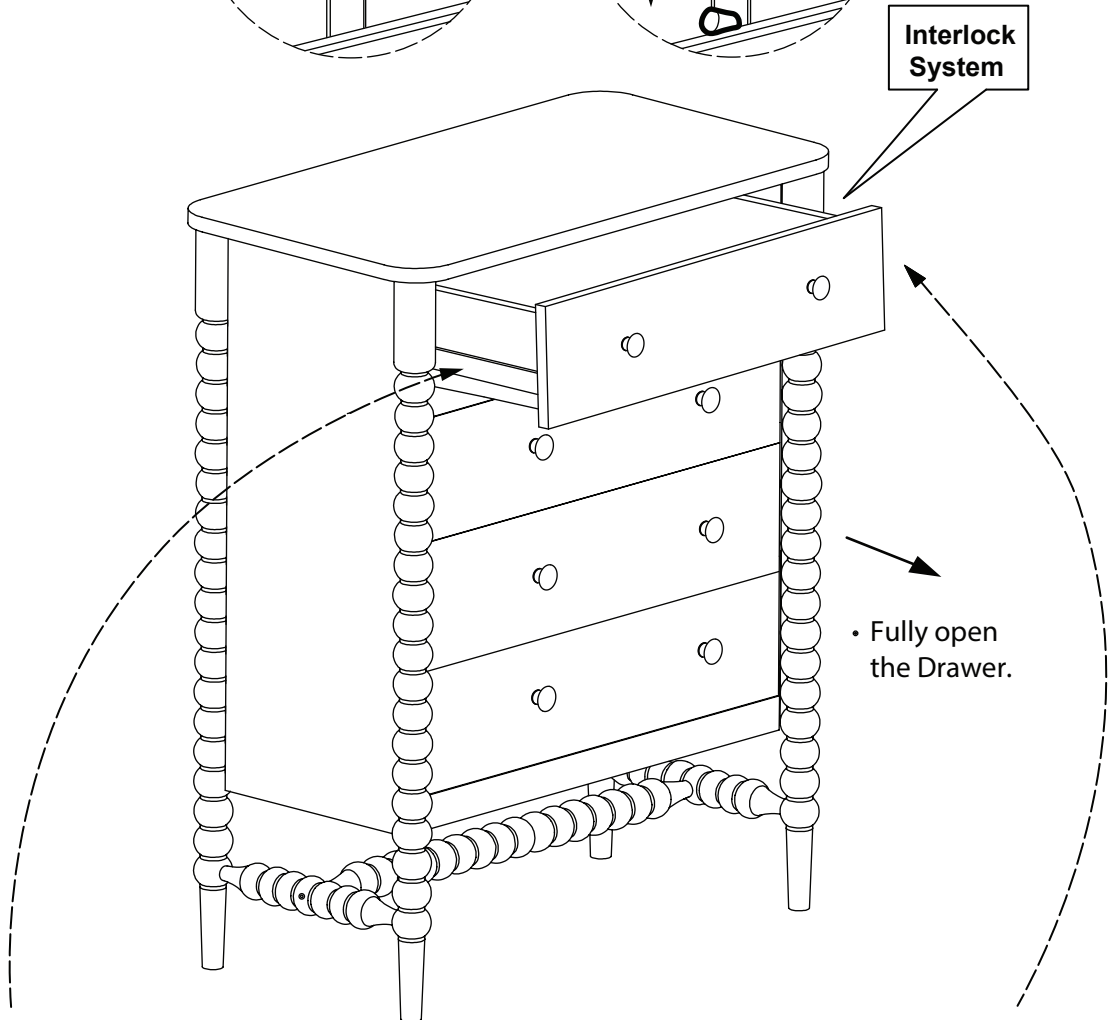
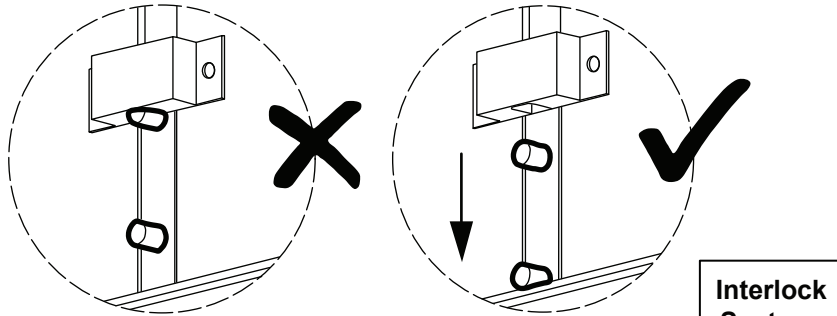
9025 4 Drawer Chest

Assembly Instructions

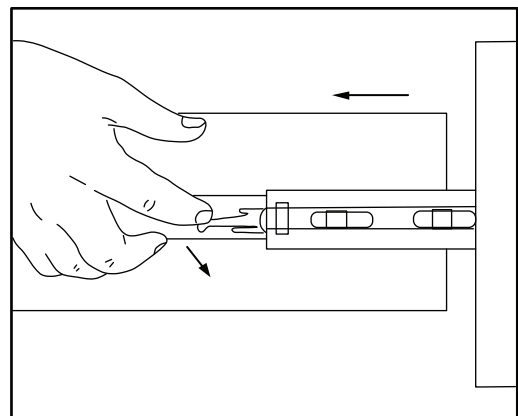
WI-1025

17 Remove the Drawers.

- After removing the top drawer, push the interlock bar **down**. Then remove the lower drawers.



- Lift the **LEFT** side clip up.

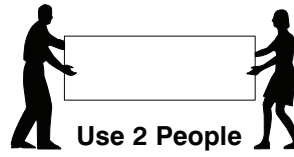
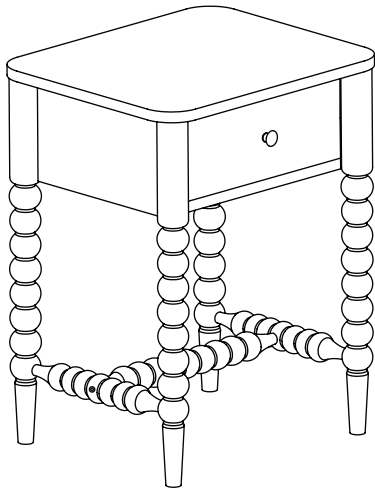


- Push the **RIGHT** side clip down.

9025 1 Drawer Night Stand

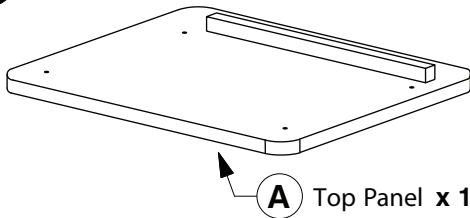
Assembly Instructions

WI-1025

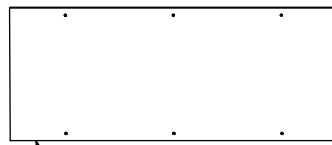


Note: Do not assemble using power tools. This can cause the bolts to be overtightened

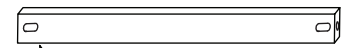
1 Parts List



A Top Panel x 1



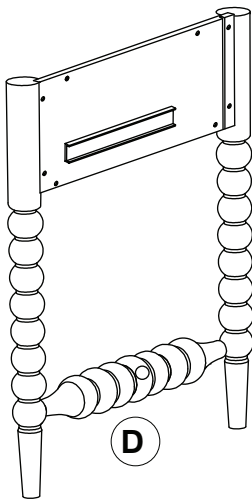
B Back Panel x 1



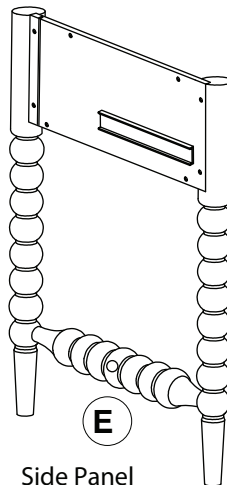
C Support Bar x 2



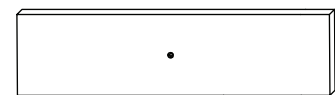
F Drawer Back x 1



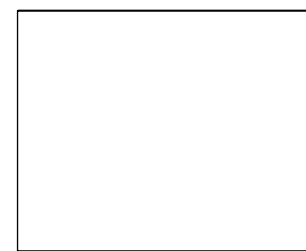
D Side Panel (Left Hand) x 1



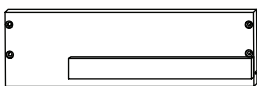
E Side Panel (Right Hand) x 1



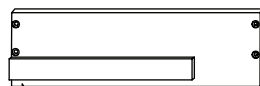
G Drawer Face x 1



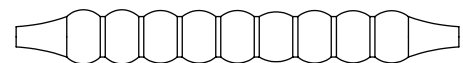
H Drawer Bottom x 1



J Drawer Side (Left Hand) x 1



K Drawer Side (Right Hand) x 1



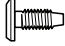


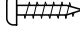
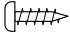
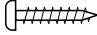
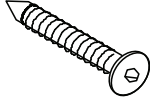

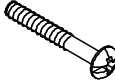

L Bottom Support Bar x 1

9025 1 Drawer Night Stand

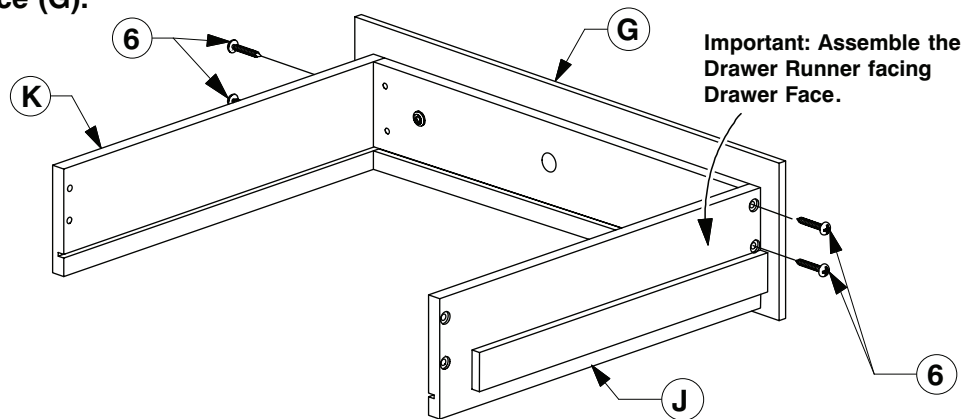
Assembly Instructions

WI-1025

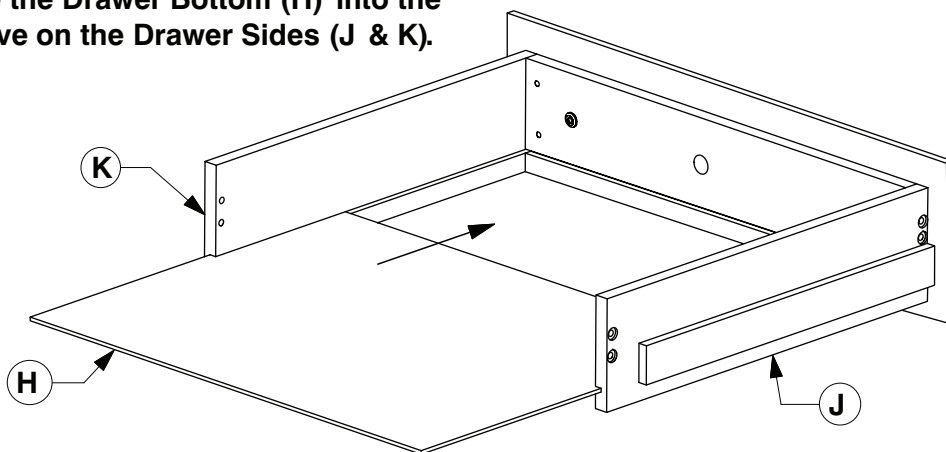
2 Hardware List

- | | | | | |
|--|--|--|--|--|
| 
① M6 x 15mm
JCB x 8 | 
② M6 x
30mm JCB
x 4 | 
③ 'L' Bracket
(5005-3) x 4 | 
④ M4 x 20mm
Wood Screw x 4 | 
⑤ M4 x 16mm
Wood Screw x 6 |
| 
⑥ M4 x 25mm
Wood Screw x 8 | 
⑦ M6 X50mm
JCBC W x 2 | 
⑧ Handle x 1 | 
⑨ M4 x 22mm
Wood Screw x 1 | 
⑩ Allen Key
x 1 |

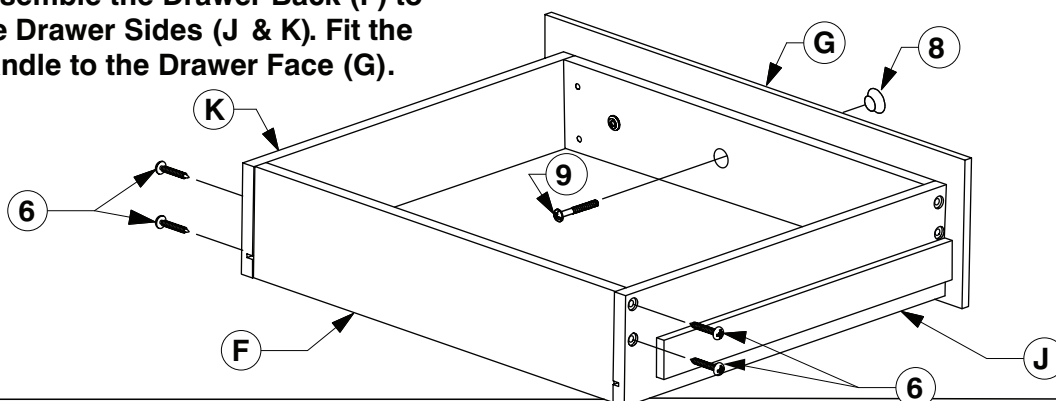
3 Assemble the Drawer Sides (J & K) to the Drawer Face (G).



4 Slide the Drawer Bottom (H) into the groove on the Drawer Sides (J & K).



5 Assemble the Drawer Back (F) to the Drawer Sides (J & K). Fit the Handle to the Drawer Face (G).

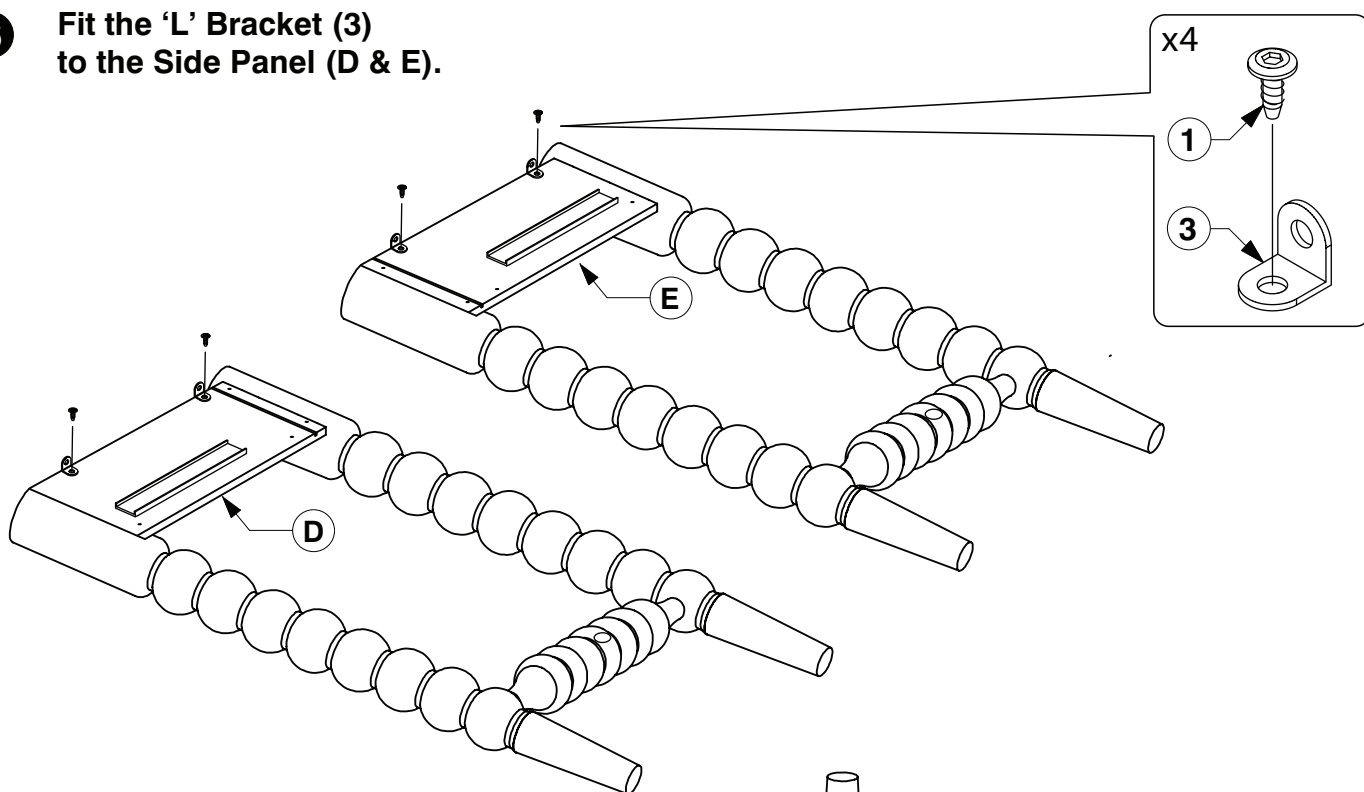


9025 1 Drawer Night Stand

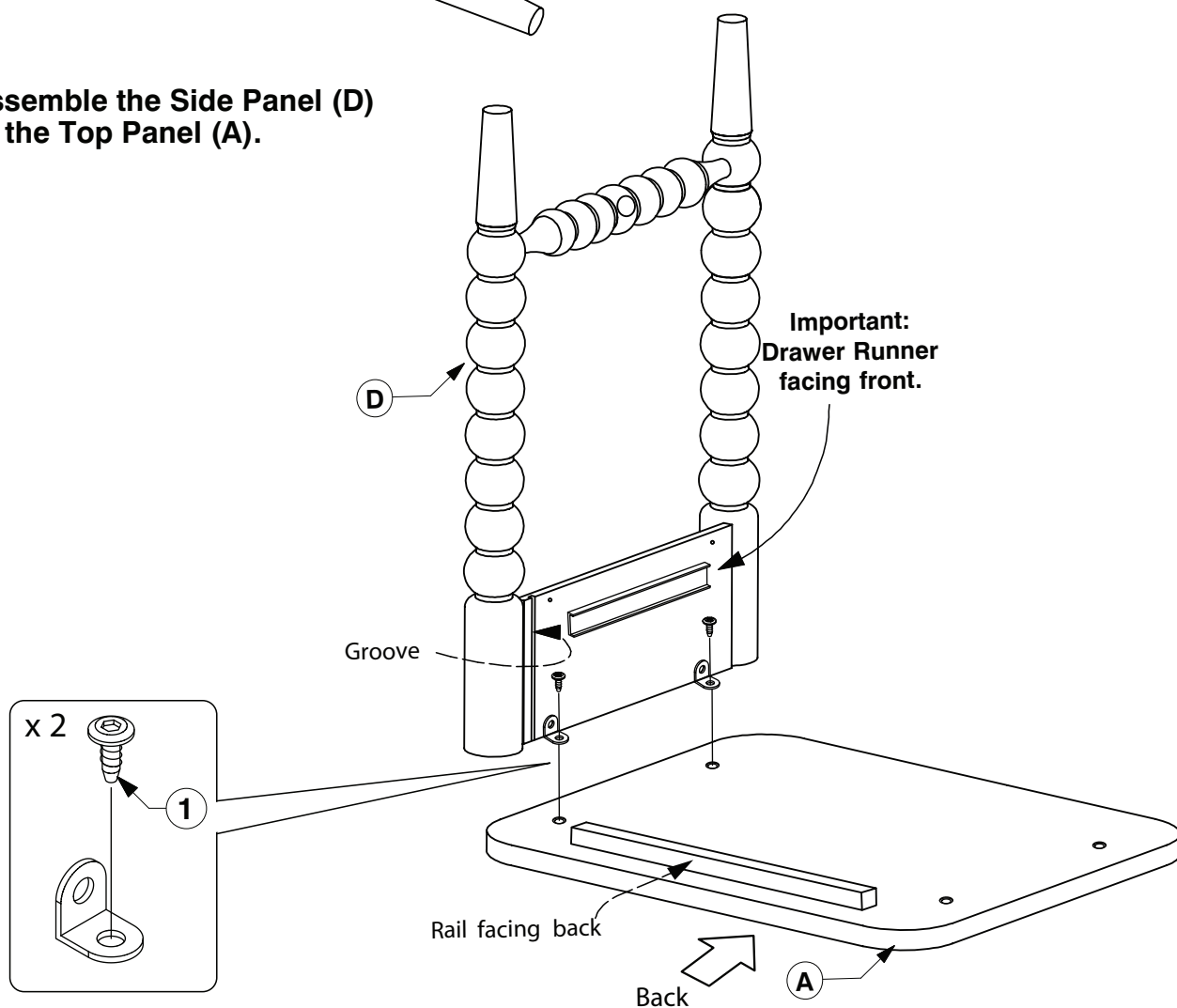
Assembly Instructions

WI-1025

- 6** Fit the 'L' Bracket (3) to the Side Panel (D & E).



- 7** Assemble the Side Panel (D) to the Top Panel (A).

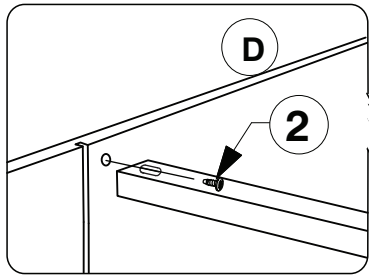


9025 1 Drawer Night Stand

Assembly Instructions

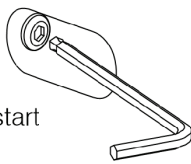
WI-1025

- 8** Fit the Bottom Support Bar (L) & Support Bar (C) to the Side Panel (D).



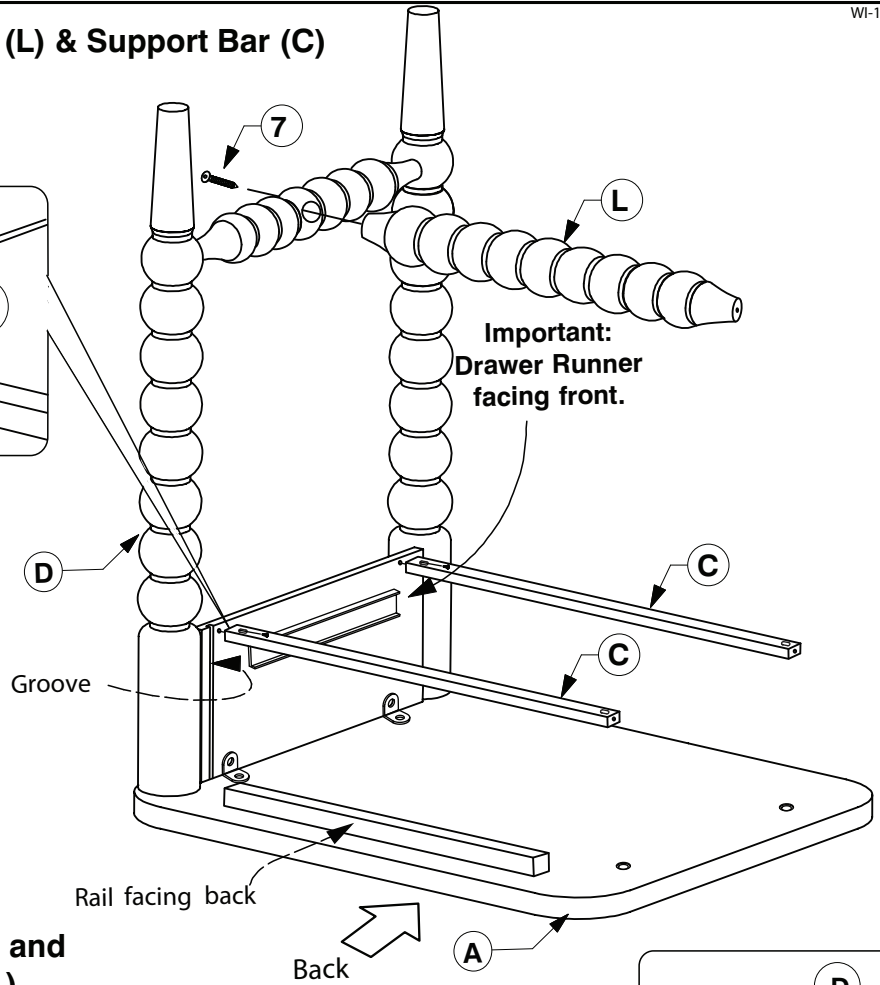
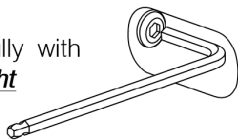
Step 1

Use the **ball end** of Allen key to start the bolt.



Step 2

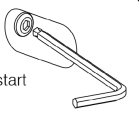
Tighten fully with the **straight end**.



- 9** Assemble the Side Panel (E) and to the Bottom Support Bar (L) and Support Bar (C) Top Panel (A).

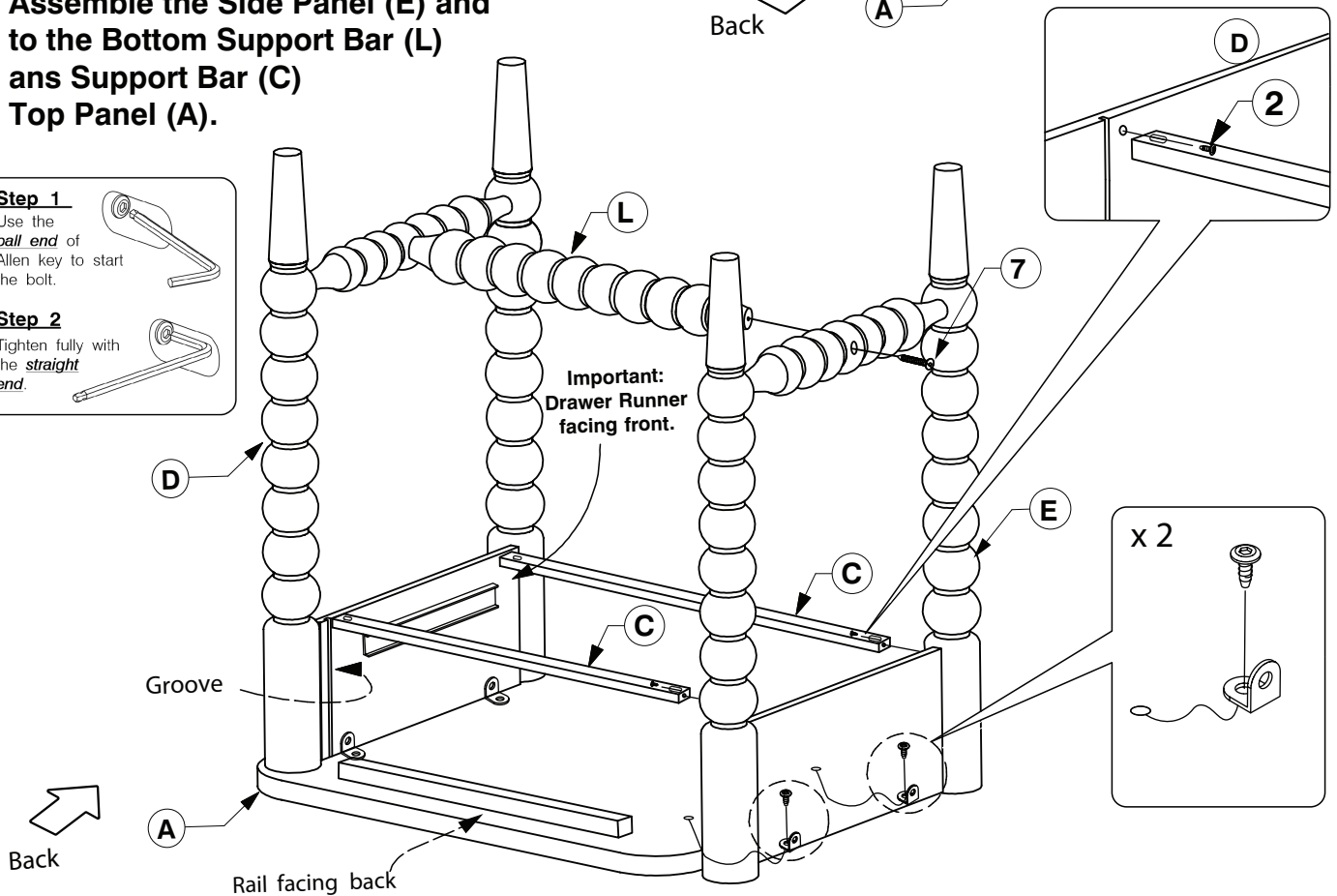
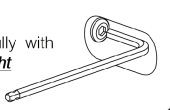
Step 1

Use the **ball end** of Allen key to start the bolt.



Step 2

Tighten fully with the **straight end**.

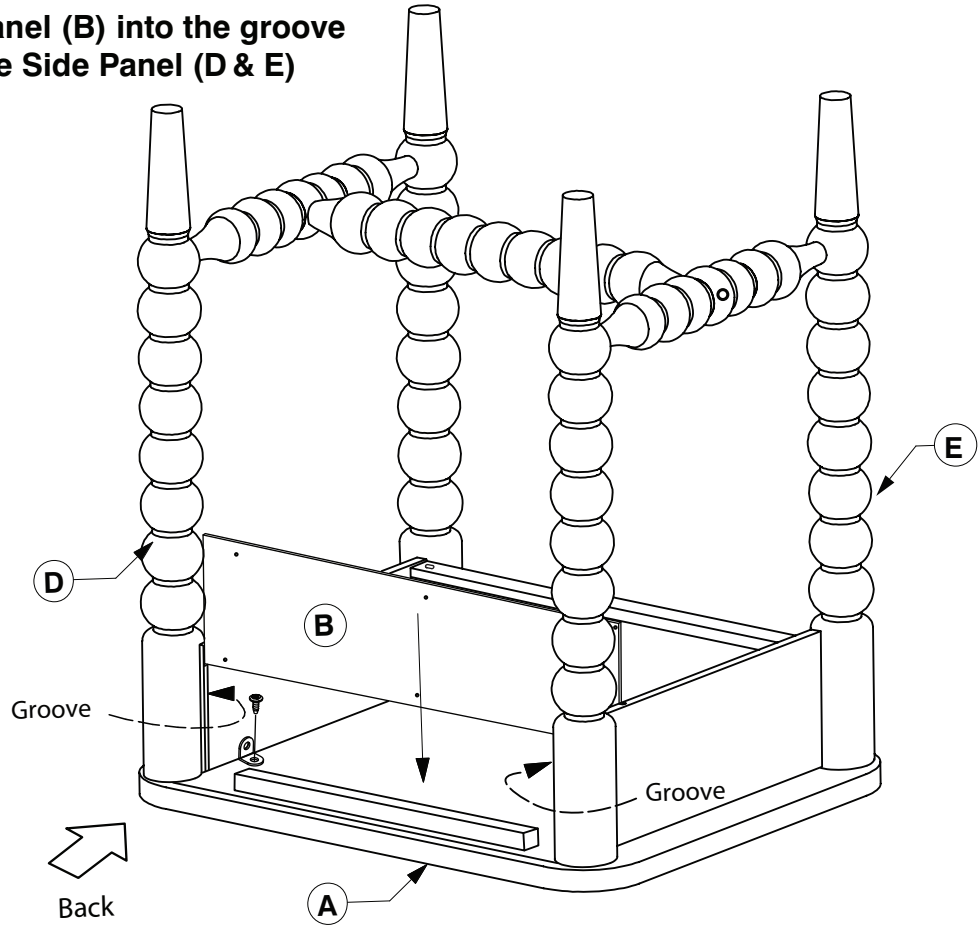


9025 1 Drawer Night Stand

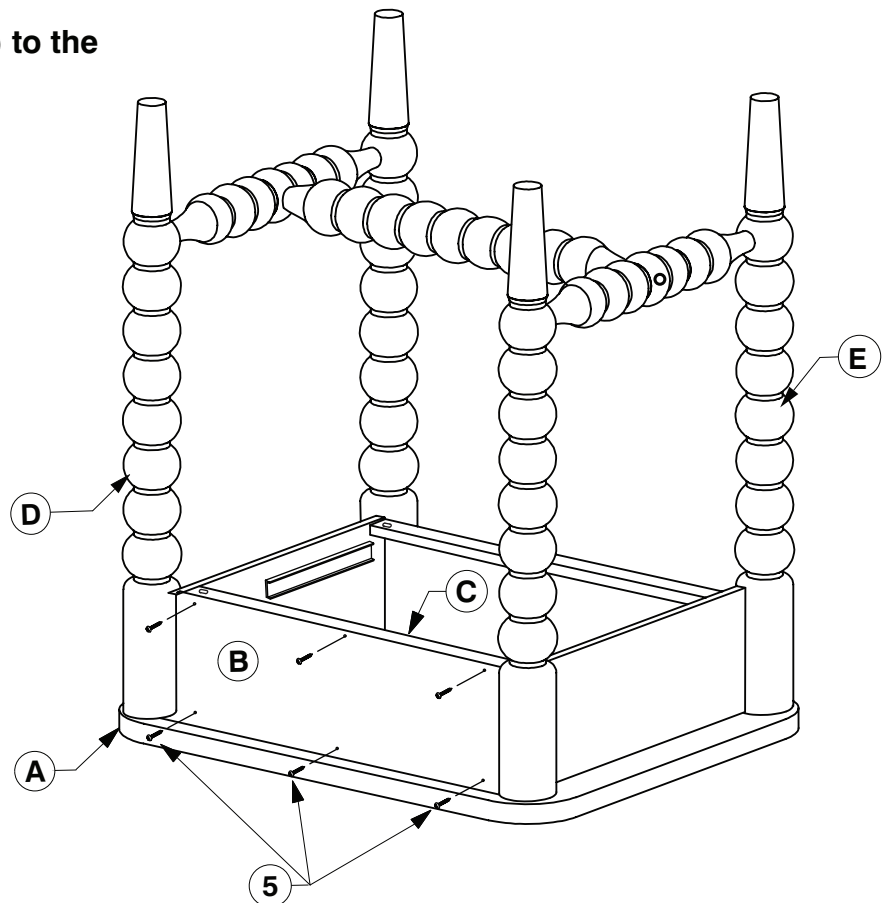
Assembly Instructions

WI-1025

- 10** Slide the Back Panel (B) into the groove on the back of the Side Panel (D & E)



- 11** Screw the Back Panel (B) to the Side Panel (D & E).

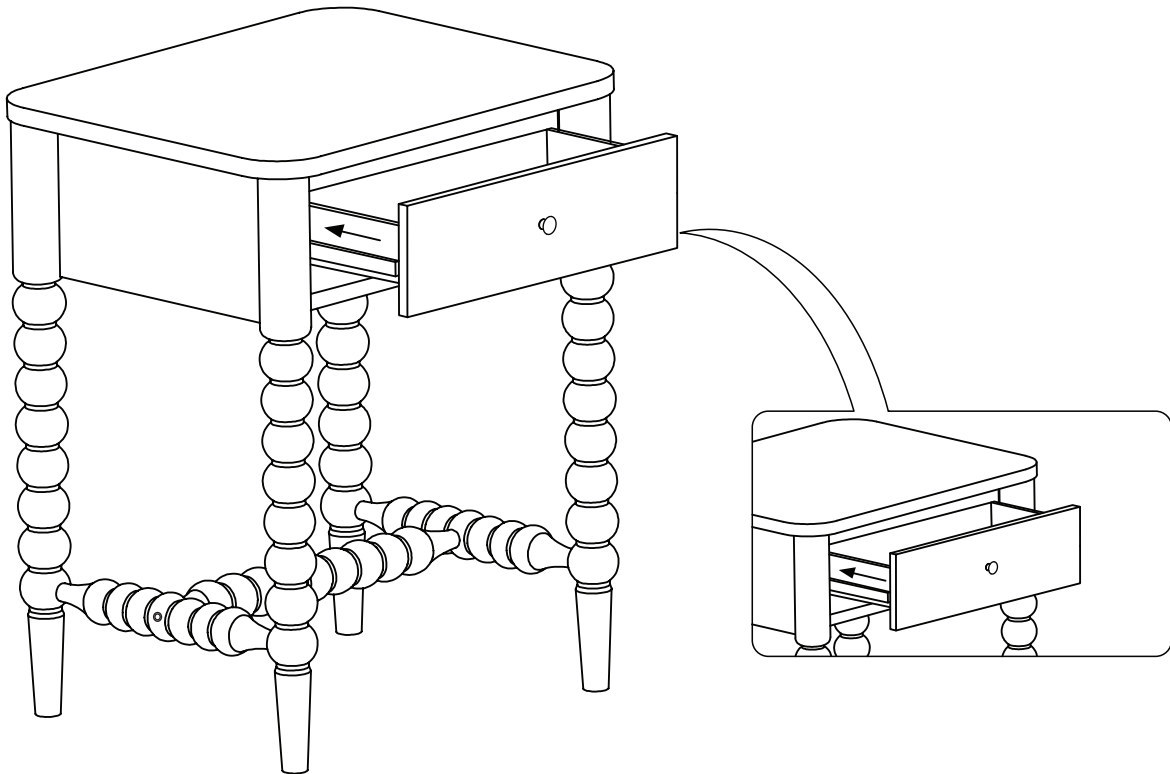


9025 1 Drawer Night Stand

Assembly Instructions

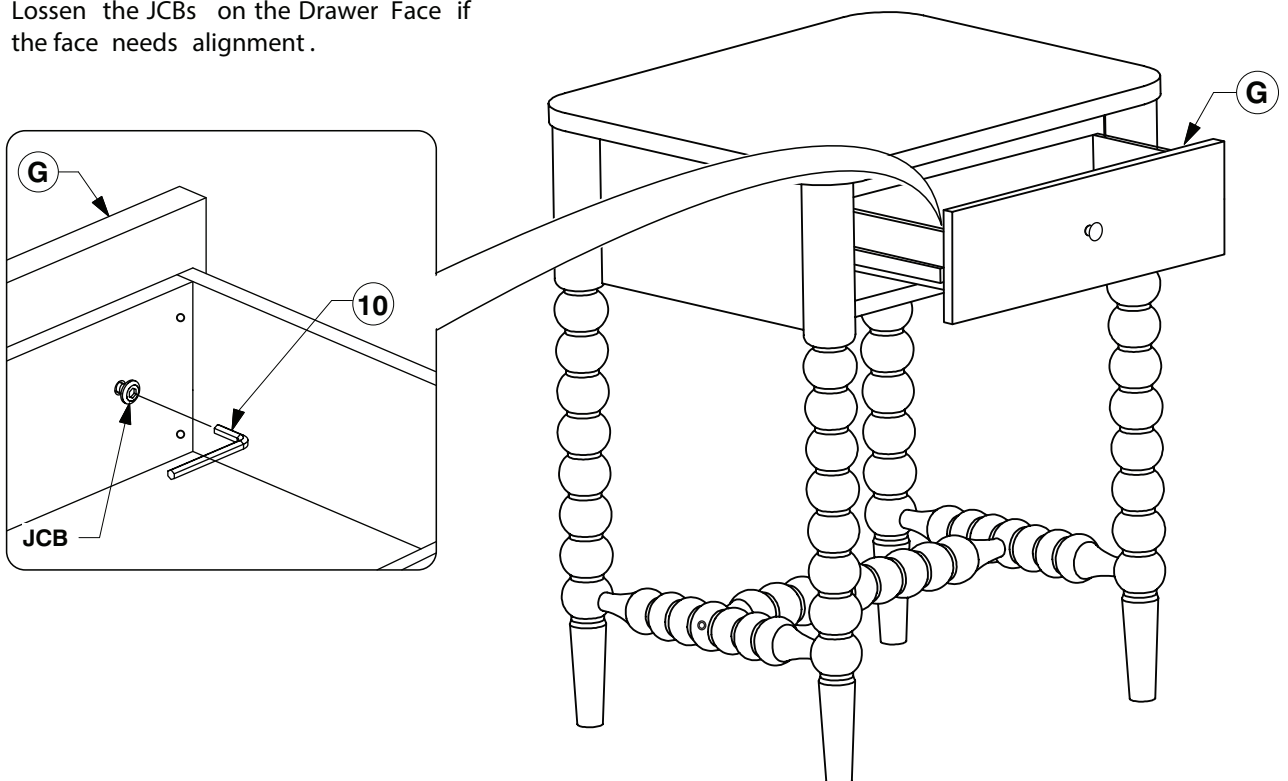
WI-1025

12 Fit the Drawer Box to the Casegood Body.



13 Adjust the Drawer Face (G).

* NOTE: Before fitting the Wood Screws .
Loosen the JCBs on the Drawer Face if
the face needs alignment.



9025 1 Drawer Night Stand

Assembly Instructions

WI-1025

- 14** After the Drawer Faces (G) are aligned, secure with wood screws.

