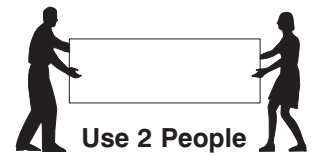
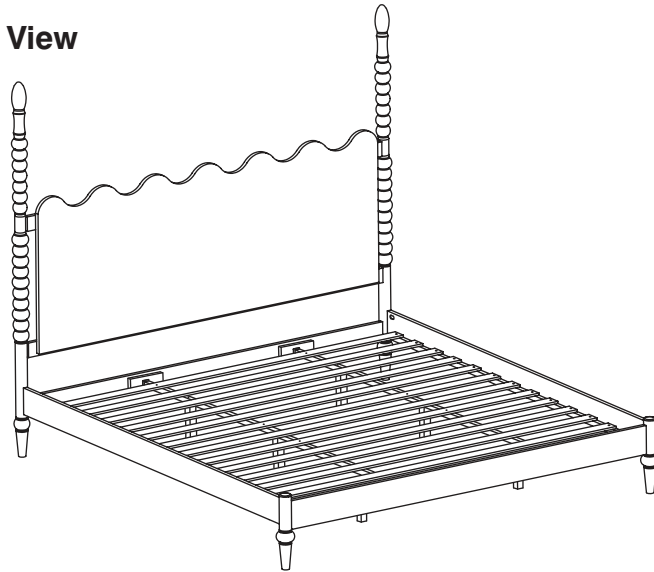


# 0110-6 King Bed

Assembly Instructions

WI-1025

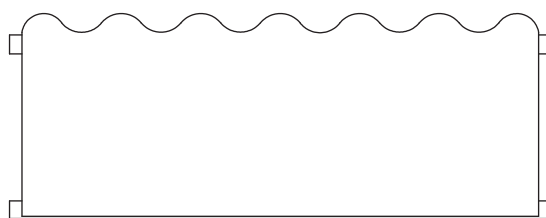
## 1 Assembled View



**Note:** Do not assemble using power tools. This can cause the bolts to be overtightened

## 2 Parts List

Parts in Box A:



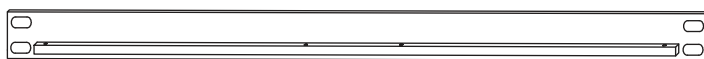
**A** Headboard Panel  
x 1

**B** Headboard Support x 1

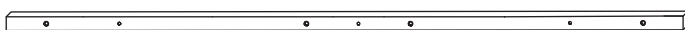
Parts in Box B:



**C** Footboard Panel x 1



**D** Side Rail x 2



**E** Long Support x 2



**F**  
Headboard Post (Left)  
x 1



**G**  
Headboard Post (Right)  
x 1



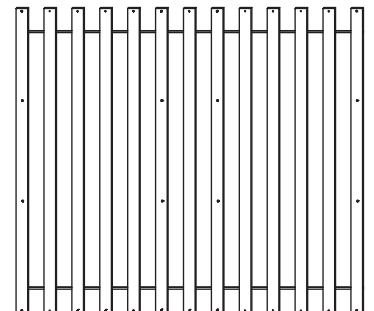
**H**  
Footboard Post (Left)  
x 1



**J**  
Footboard Post (Right)  
x 1



**K**  
Support Leg  
x 6



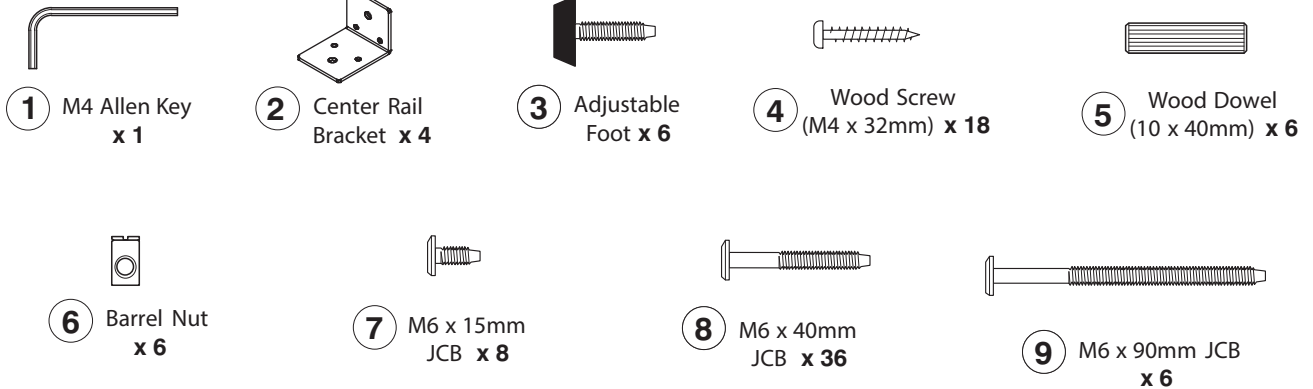
**L** Set of Bed Slats  
x 1

# 0110-6 King Bed

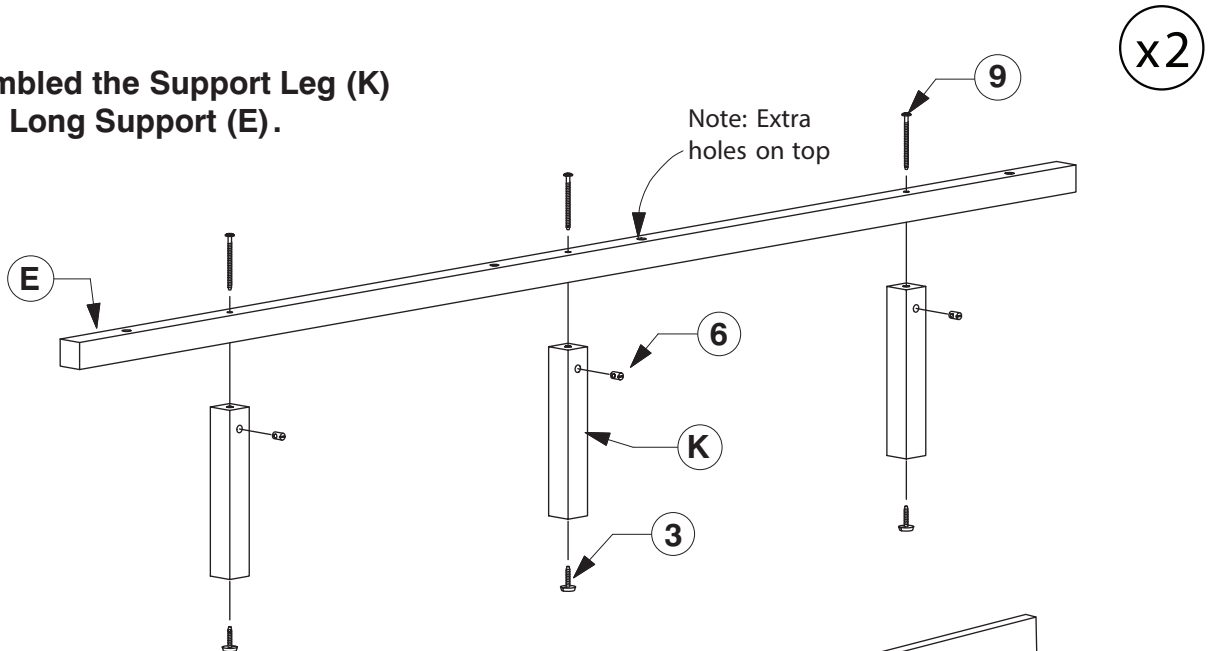
## Assembly Instructions

WI-1025

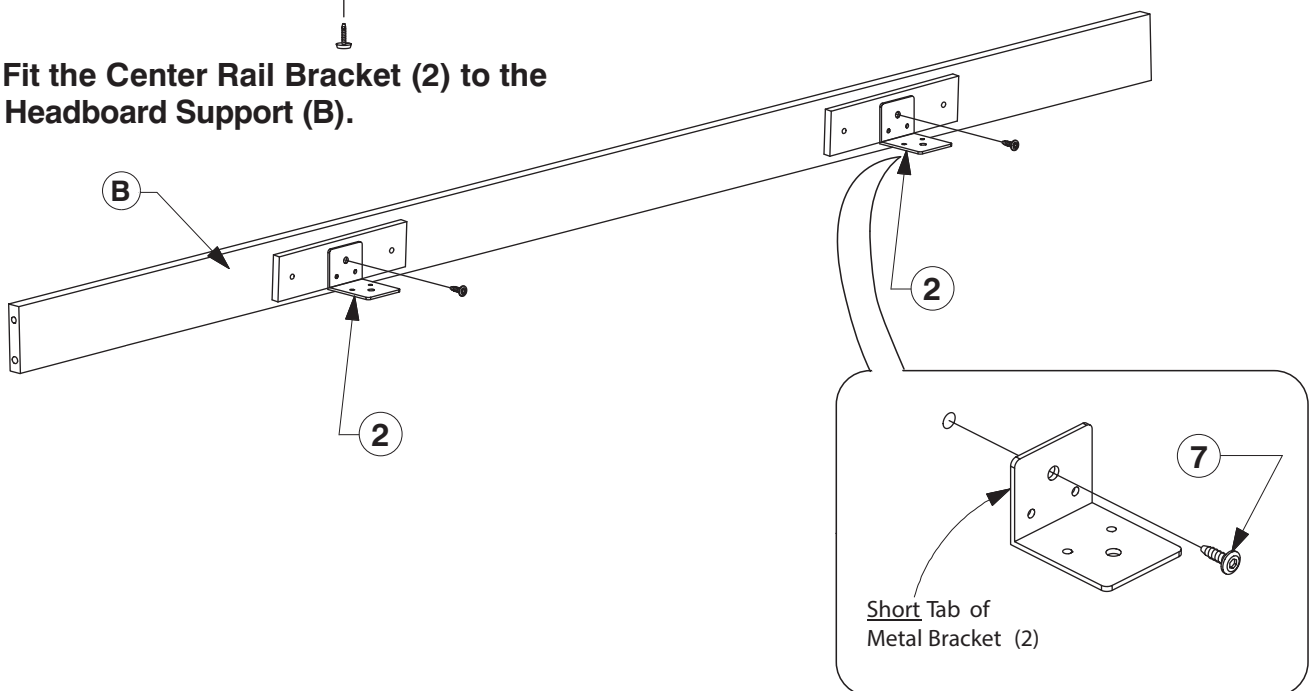
### 3 Hardware List



### 4 Assembled the Support Leg (K) to the Long Support (E).



### 5 Fit the Center Rail Bracket (2) to the Headboard Support (B).

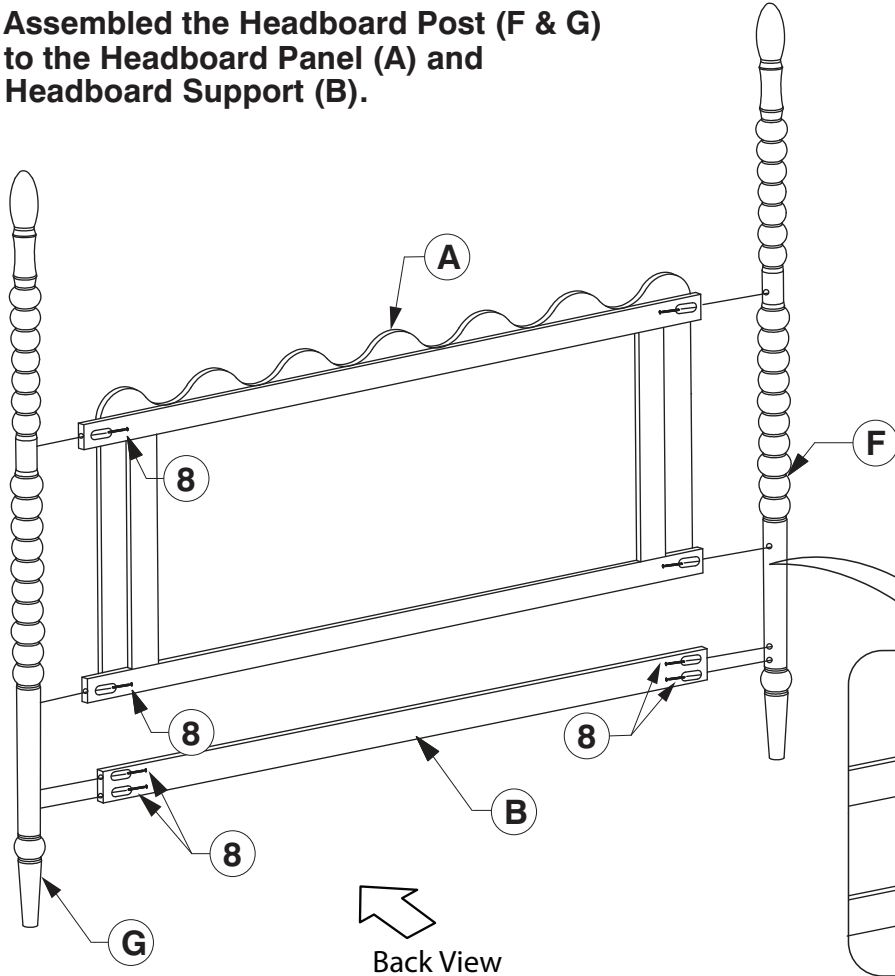


# 0110-6 King Bed

## Assembly Instructions

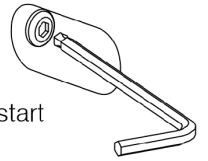
WI-1025

### 6 Assembled the Headboard Post (F & G) to the Headboard Panel (A) and Headboard Support (B).



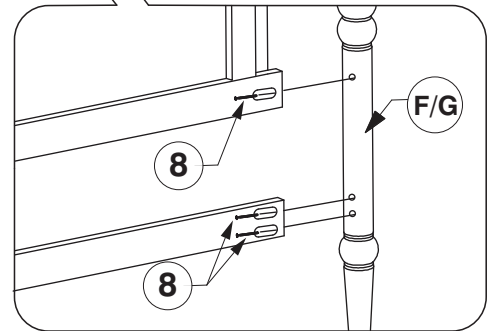
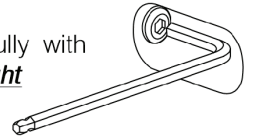
#### Step 1

Use the **ball end** of Allen key to start the bolt.

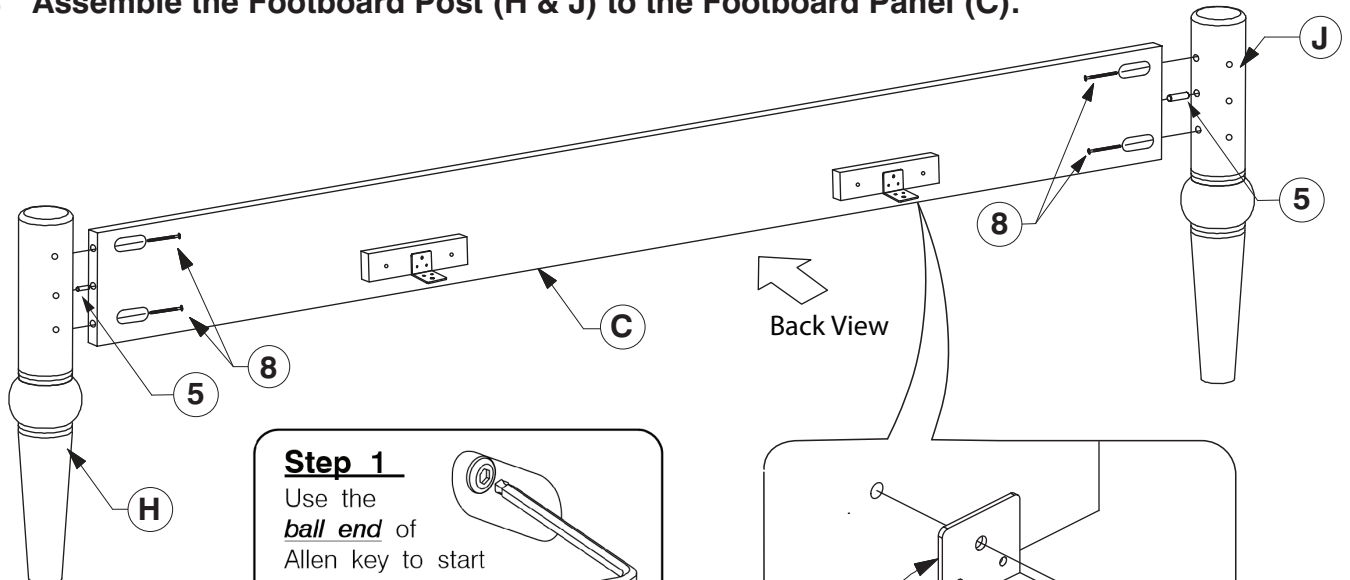


#### Step 2

Tighten fully with the **straight end**.

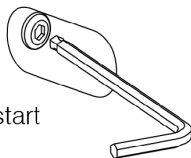


### 7 Assemble the Footboard Post (H & J) to the Footboard Panel (C).



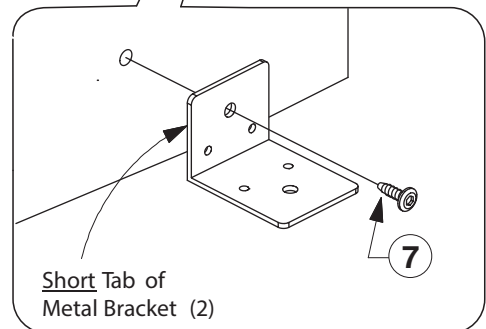
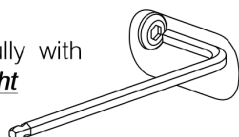
#### Step 1

Use the **ball end** of Allen key to start the bolt.



#### Step 2

Tighten fully with the **straight end**.

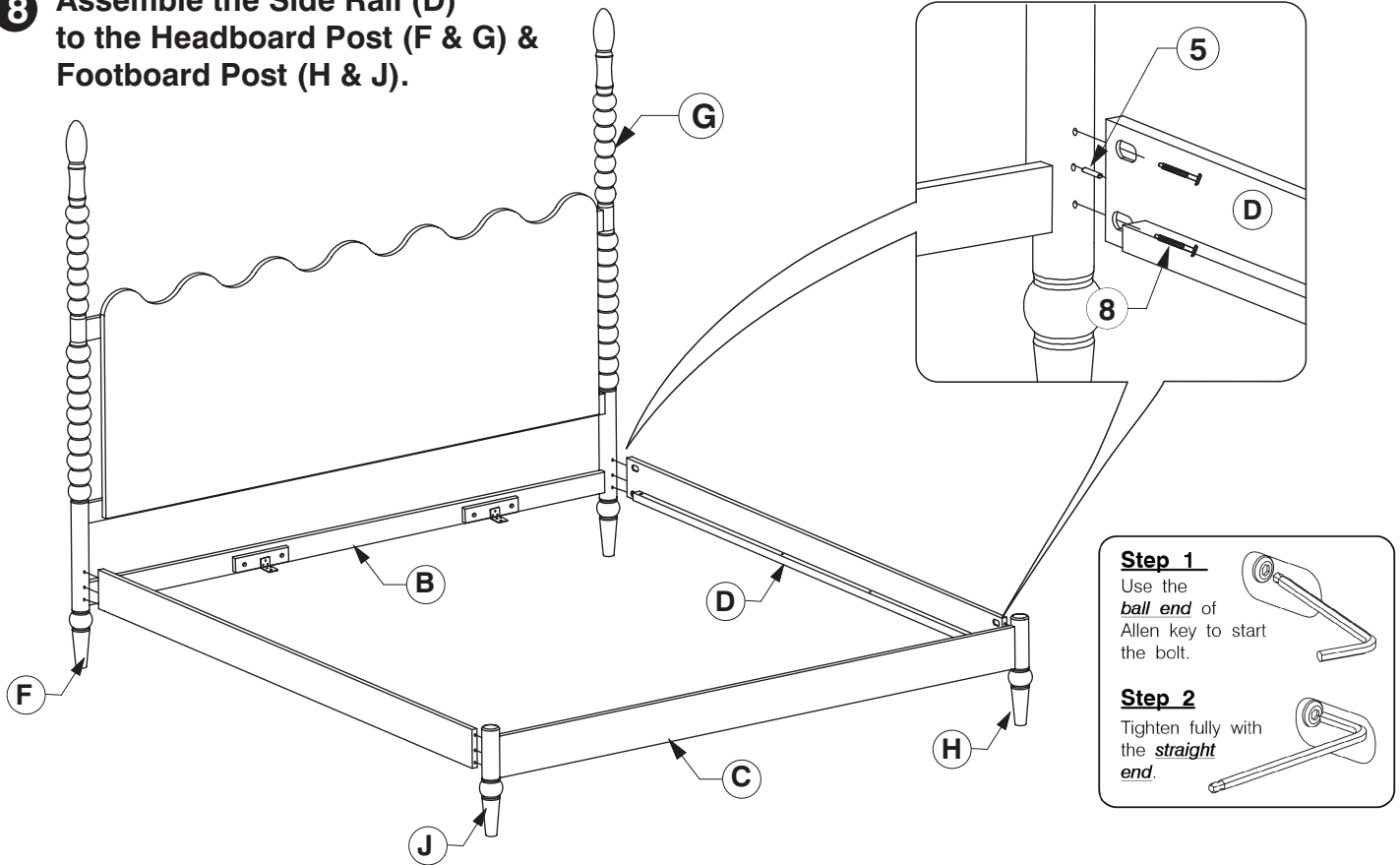


# 0110-6 King Bed

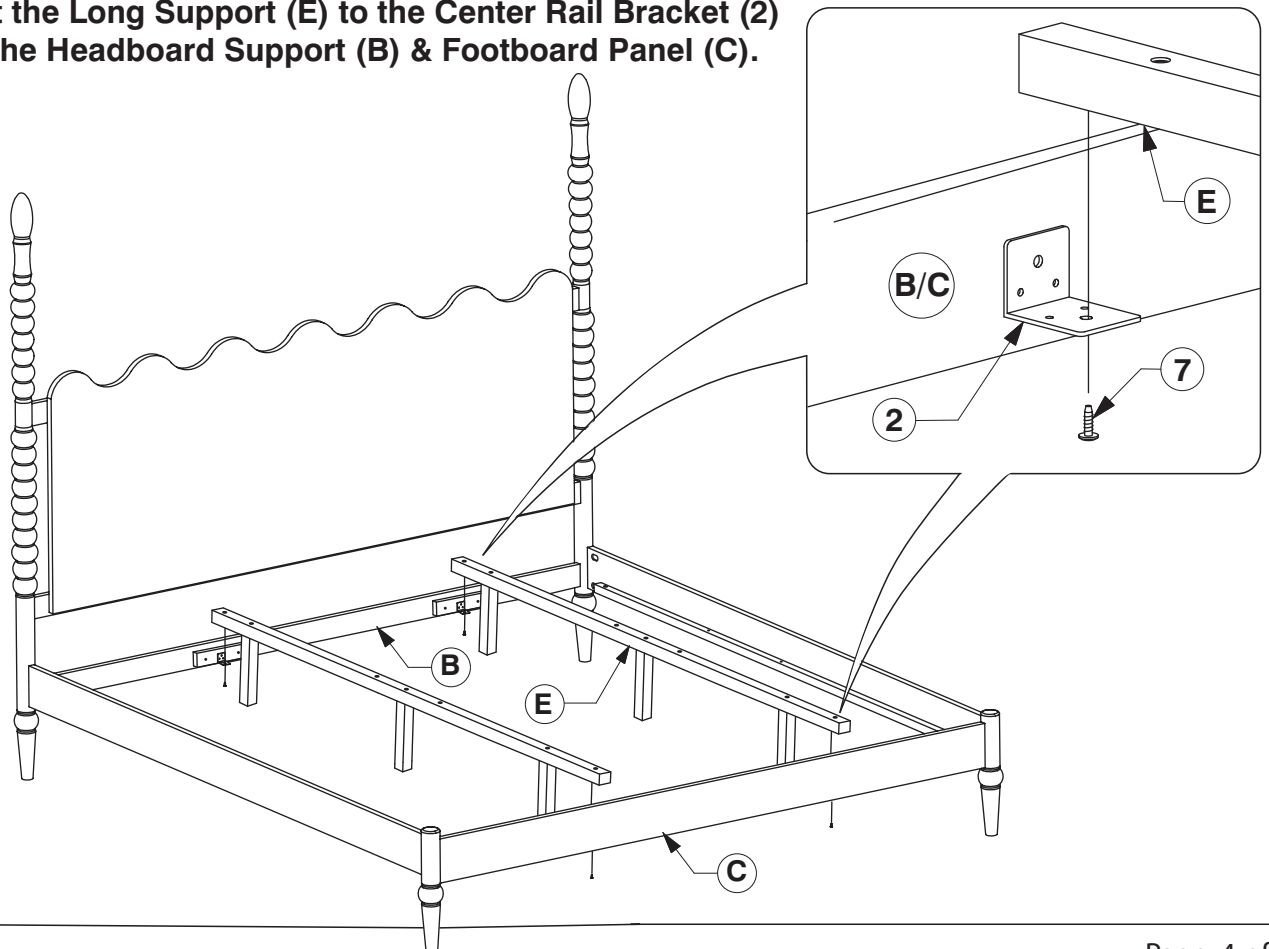
## Assembly Instructions

WI-1025

- 8** Assemble the Side Rail (D) to the Headboard Post (F & G) & Footboard Post (H & J).



- 9** Bolt the Long Support (E) to the Center Rail Bracket (2) on the Headboard Support (B) & Footboard Panel (C).

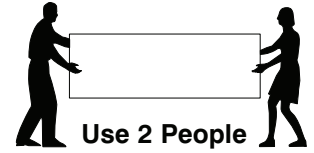
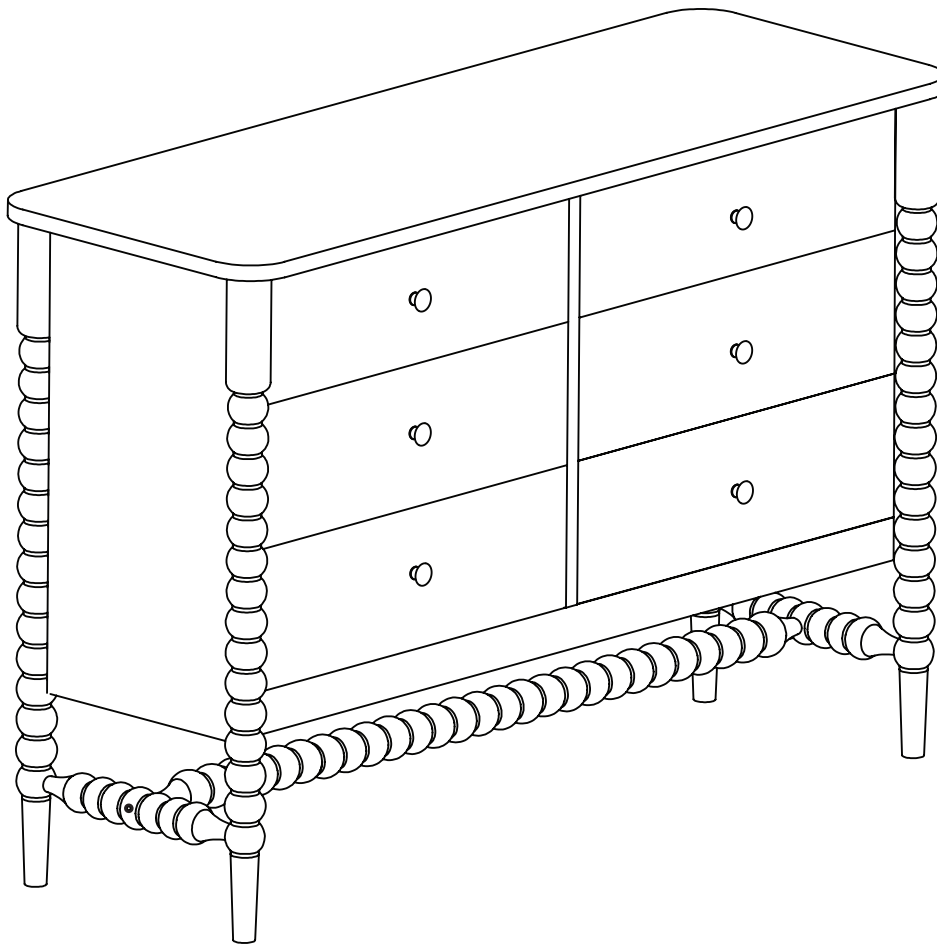




# 9025 6 Drawer Dresser

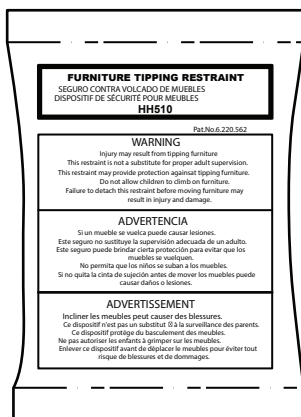
## Assembly Instructions

WI-1024



**Note:** Do not assemble using power tools. This can cause the bolts to be overtightened

### WARNING



Anti Tipping Kit  
Anti Tipping Kit x 1



Children have died from furniture tipover.

To reduce the risk of furniture tipover:

- ALWAYS install anti-tip device provided.
- NEVER put a TV on this product.
- NEVER allow children to stand, climb, or hang on any drawers, doors or shelves.
- NEVER open more than one drawer at a time.
- DO NOT defeat or remove the drawer interlock system; it is an important stability and safety system.
- Place heaviest items in the lowest drawer.

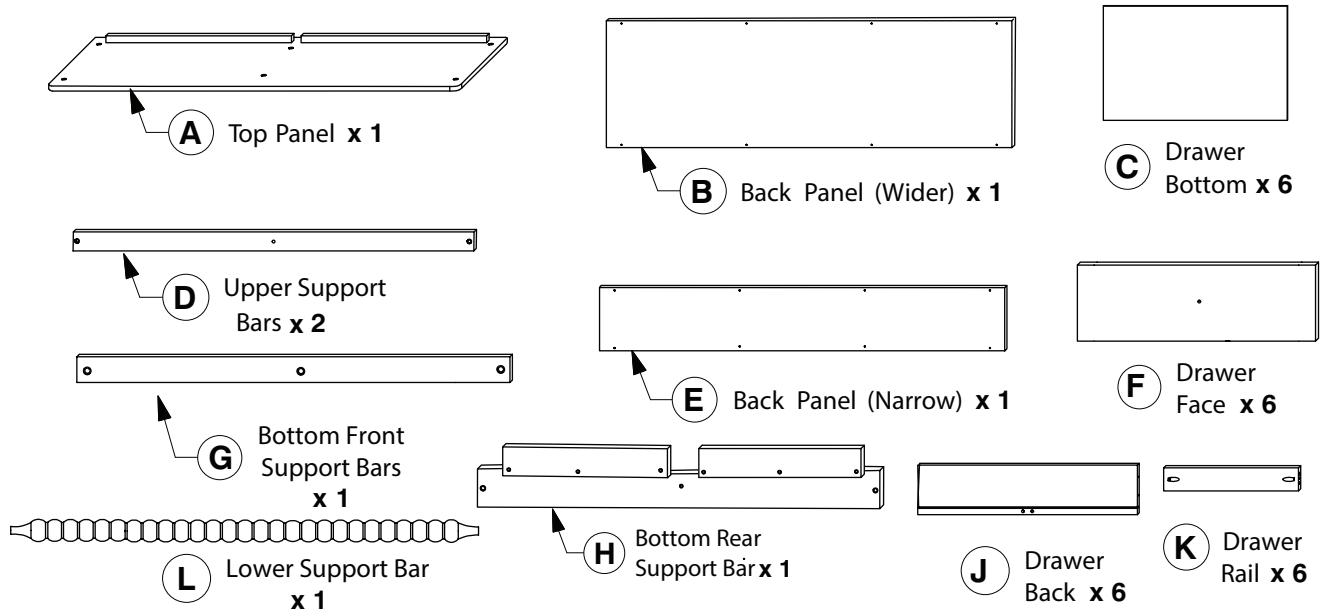
# 9025 6 Drawer Dresser

## Assembly Instructions

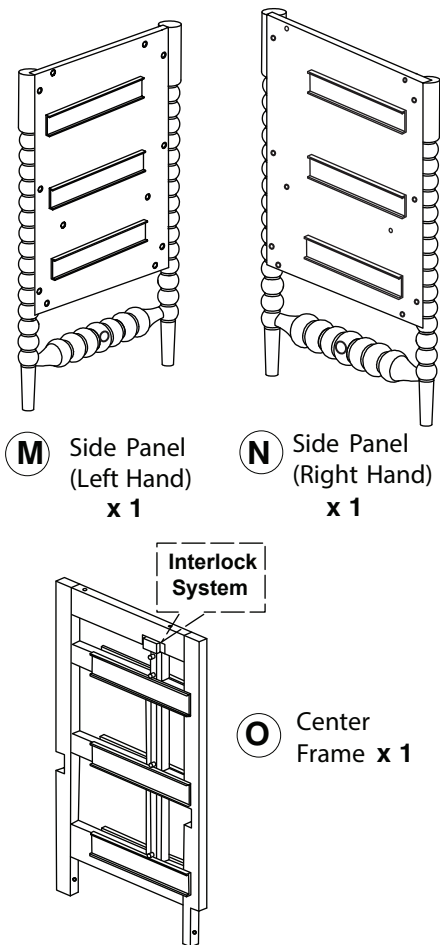
WI-1024

### 1 Parts List

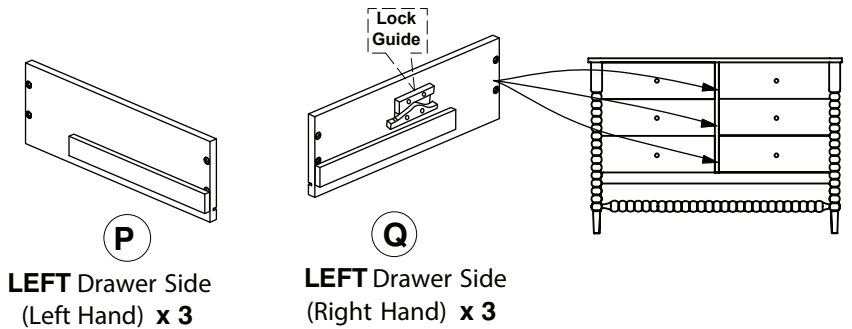
Parts in Box A:



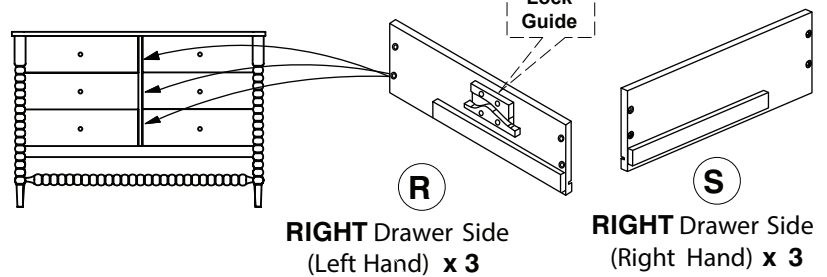
Parts in Box B:



Parts for **LEFT** Side Drawer



Parts for **RIGHT** Side Drawer

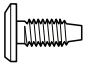



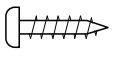
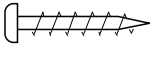
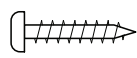
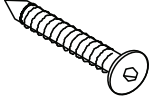

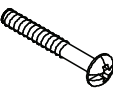




# 9025 6 Drawer Dresser

## Assembly Instructions

WI-1024

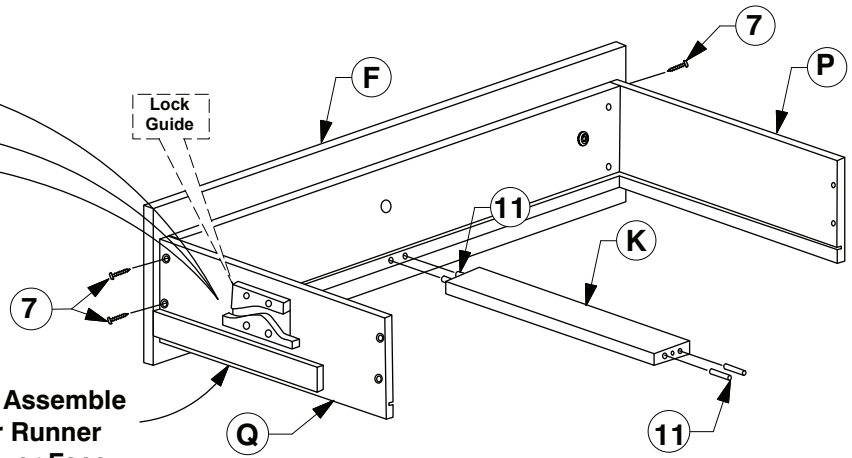
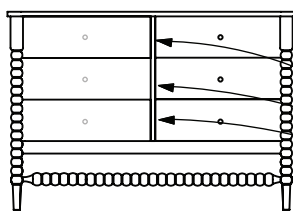
### 2 Hardware List

- |   |   |  |   |
|---|---|--|---|
|  |  |  |  |
| 1 M6 x 15mm JCB x 24  | 2 M6 x 30mm JCB x 4   | 3 M6 x 60mm JCB x 2  | 4 'L' Bracket (5005-3) x 12   |
|  |  |  |  |
| 5 Wood Screw (M4 x 20mm) x 24   | 6 Wood Screw (M4 x 32mm) x 16   | 7 Wood Screw (M4 x 25mm) x 60  | 8 M6 X50mm JCBC W x 2   |
|  |  |  |  |
| 9 Handle x 6  | 10 M4 x 22mm Wood Screw x 6   | 11 M6 x 25mm Wood Dowel x 24   | 12 Allen Key x 1  |

### 3 Assemble the Drawers.

#### STEP 3.1

LEFT



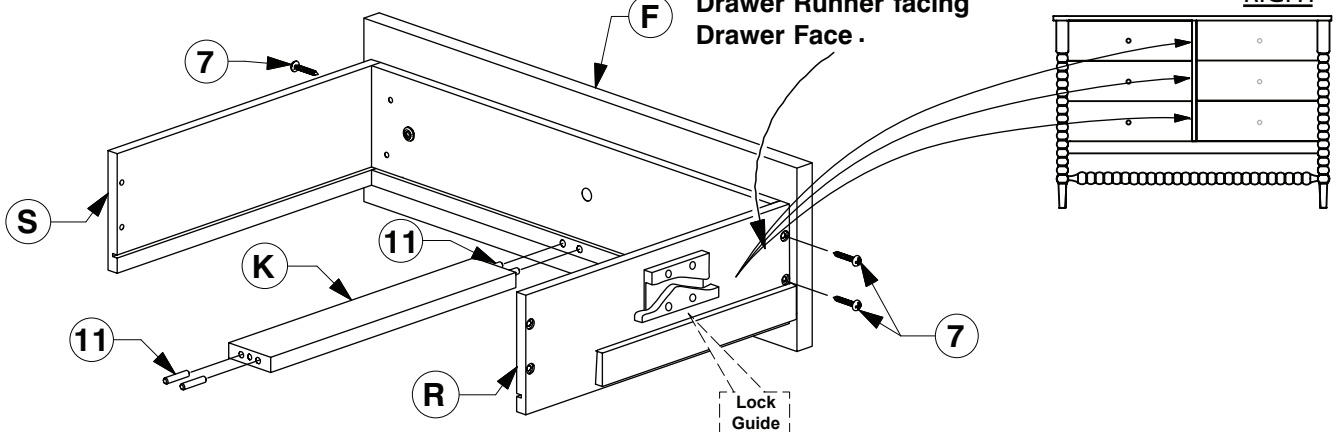
Important: Assemble the Drawer Runner facing Drawer Face.

x 3

x 3

Important: Assemble the Drawer Runner facing Drawer Face .

RIGHT



# 9025 6 Drawer Dresser

## Assembly Instructions

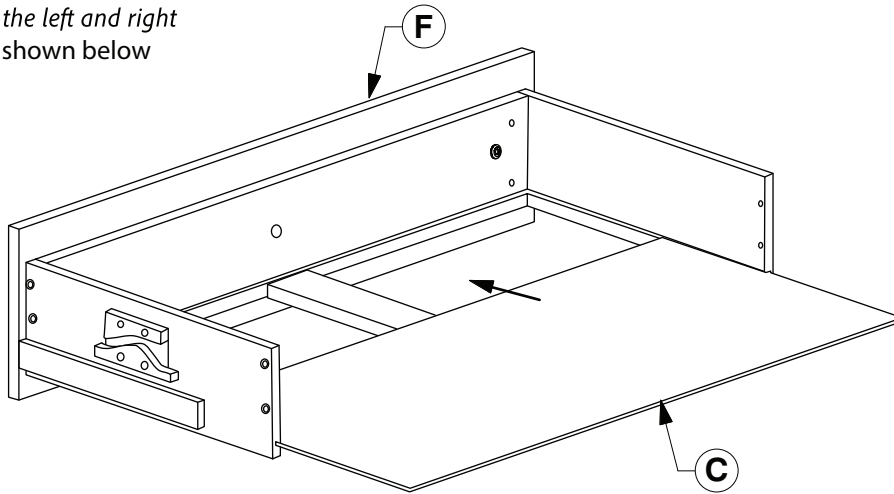
WI-1024

### 3 Assemble the Drawers.

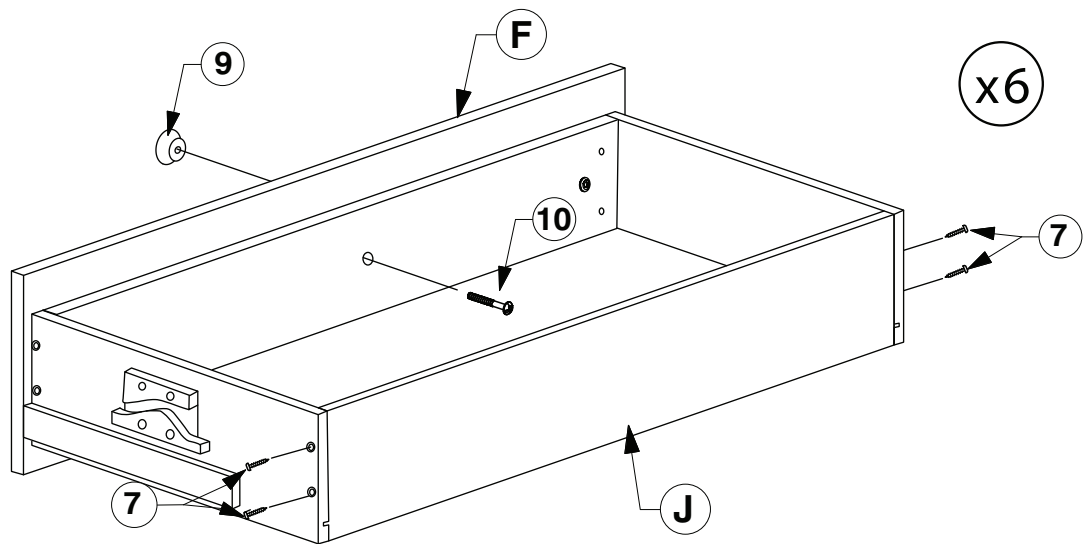
#### STEP 3.2

\* 3 Assemble the left and right drawers as shown below

x6

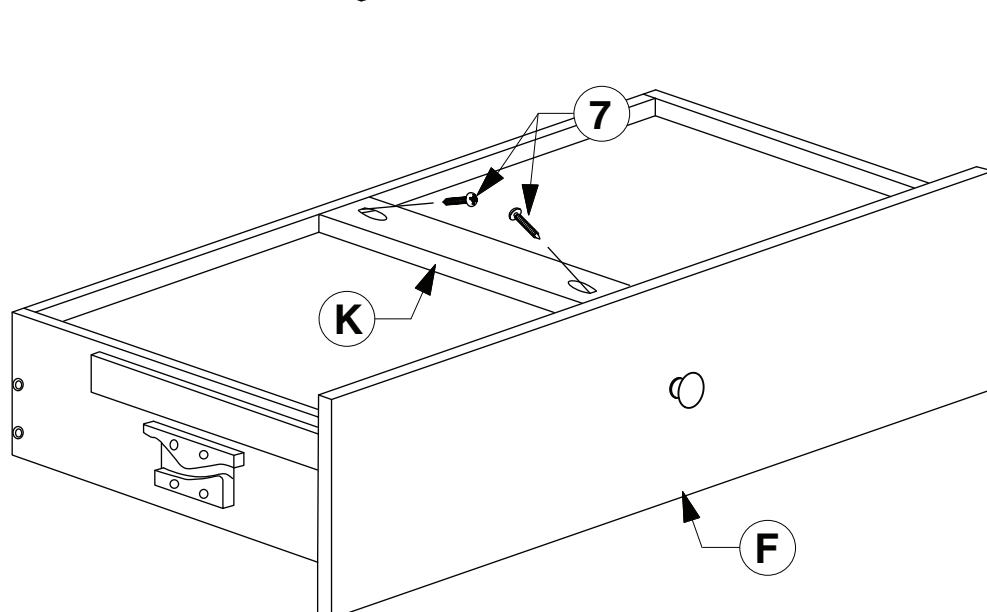


#### STEP 3.3



x6

#### STEP 3.4



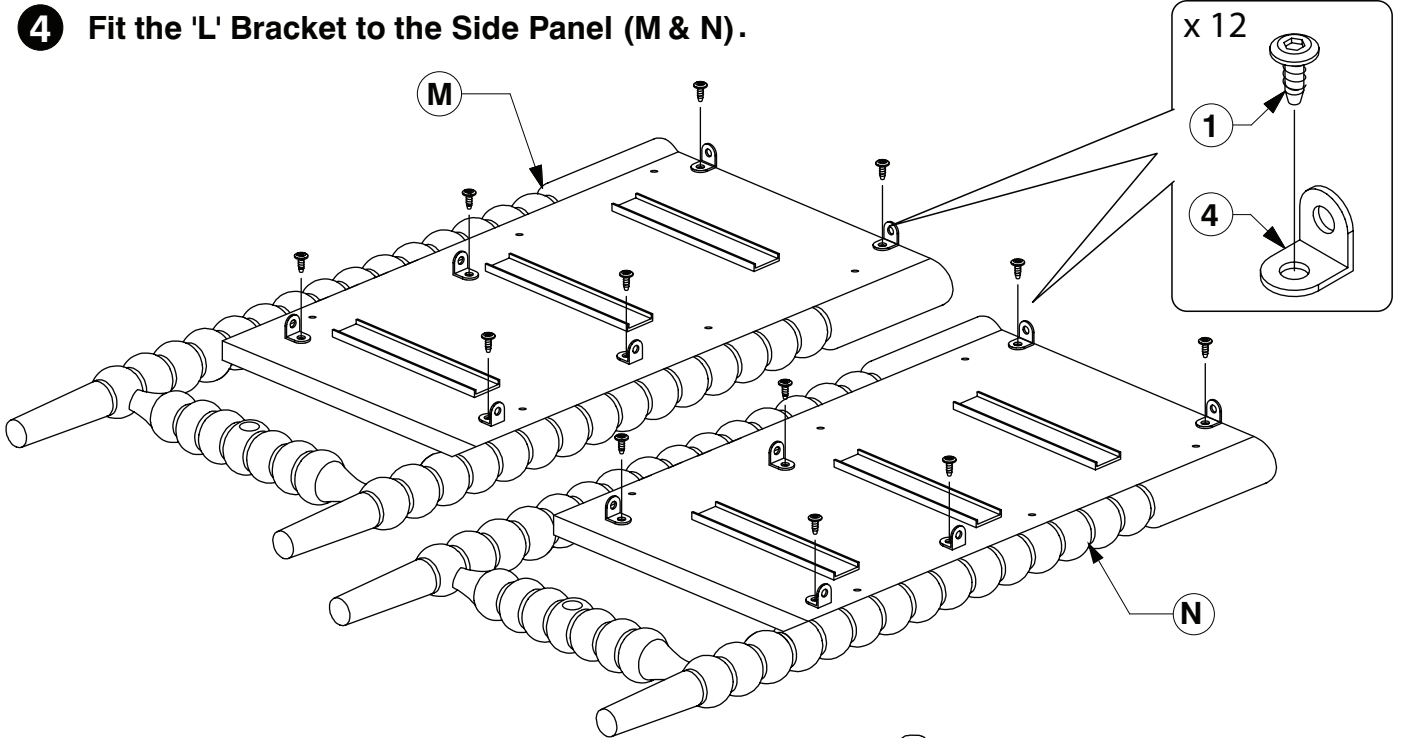
x6

# 9025 6 Drawer Dresser

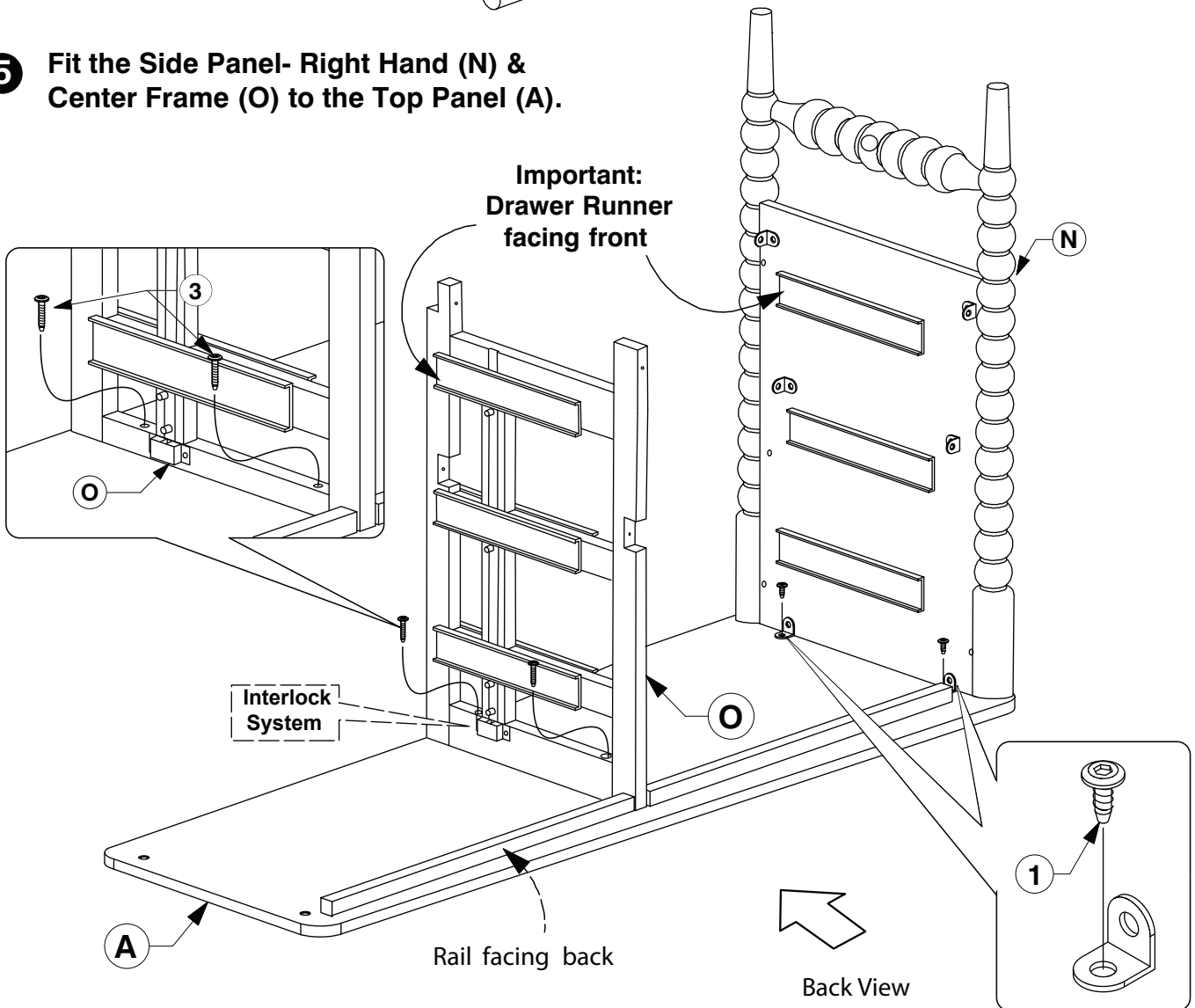
## Assembly Instructions

WI-1024

### 4 Fit the 'L' Bracket to the Side Panel (M & N).



### 5 Fit the Side Panel- Right Hand (N) & Center Frame (O) to the Top Panel (A).

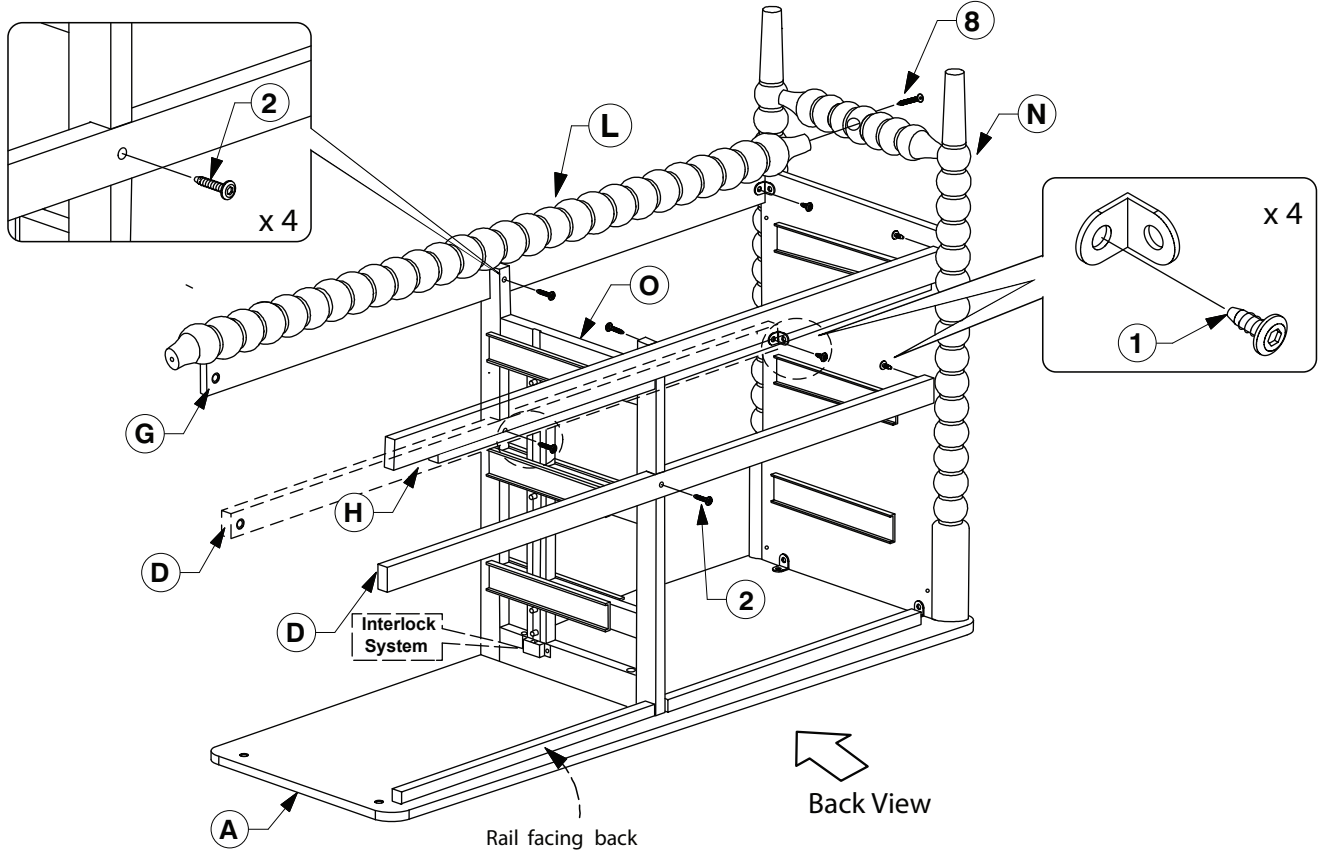


# 9025 6 Drawer Dresser

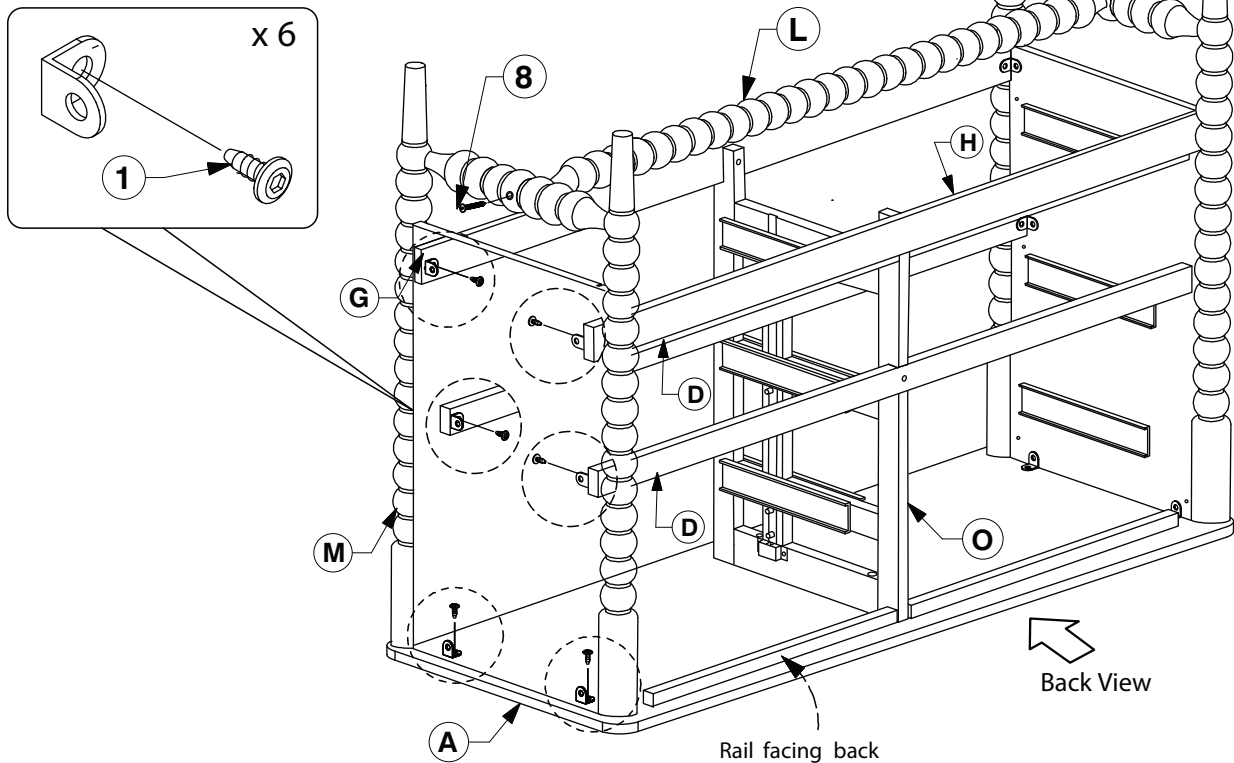
## Assembly Instructions

WI-1024

- 6** Fit the Upper Support Bar (D) and Bottom Front & Rear Support Bars (G & H) to the Side Panel-Right Hand (N) & Center Frame (O) as shown. Use JCBCW (8) to fit the Lower Support Bar (L) to the Side Panel (N).



- 7** Fit the other side of Side Panel- Left Hand (M) to the Top Panel (A) & Support Bar Upper & Bottom (D & G & H) and Lower Support Bar (L).

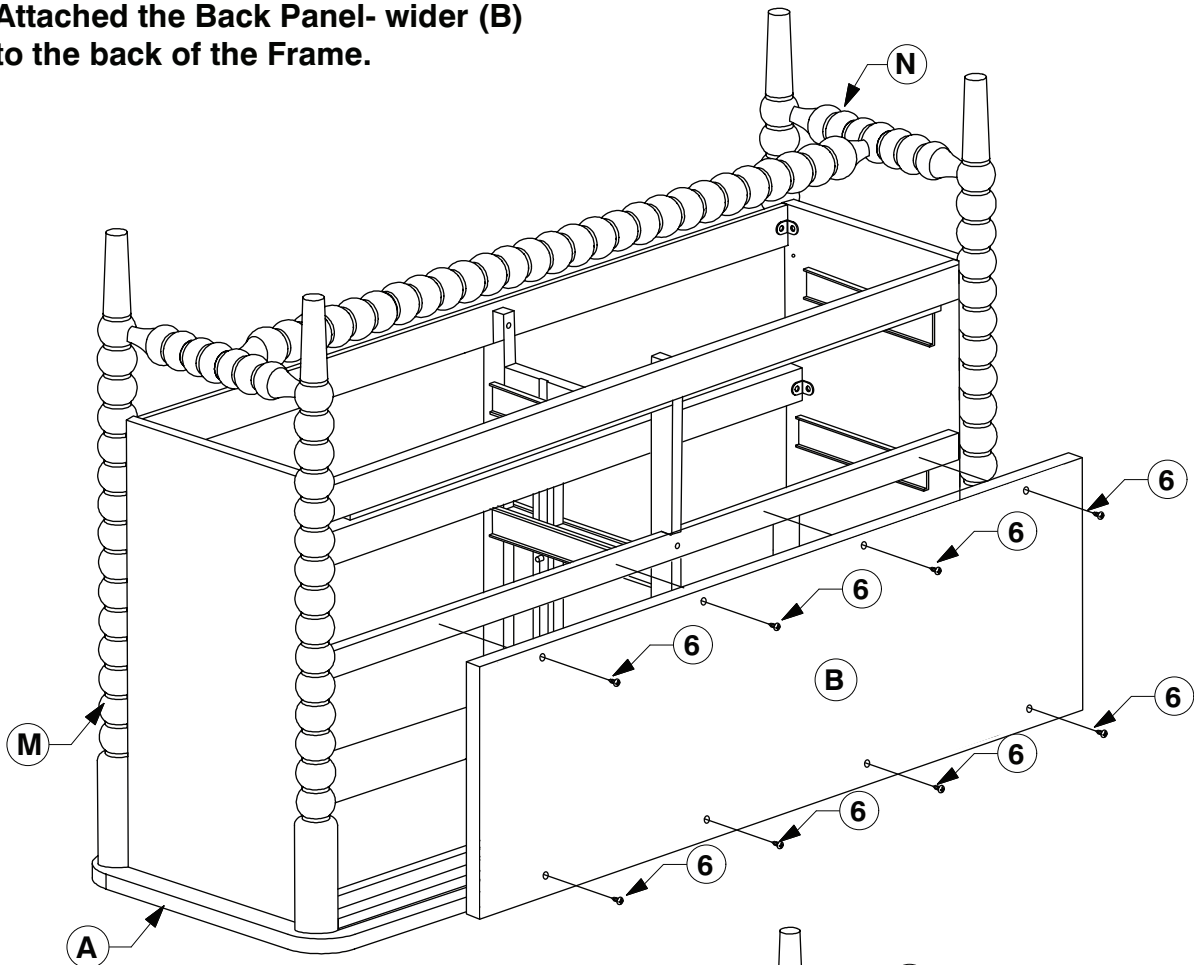


# 9025 6 Drawer Dresser

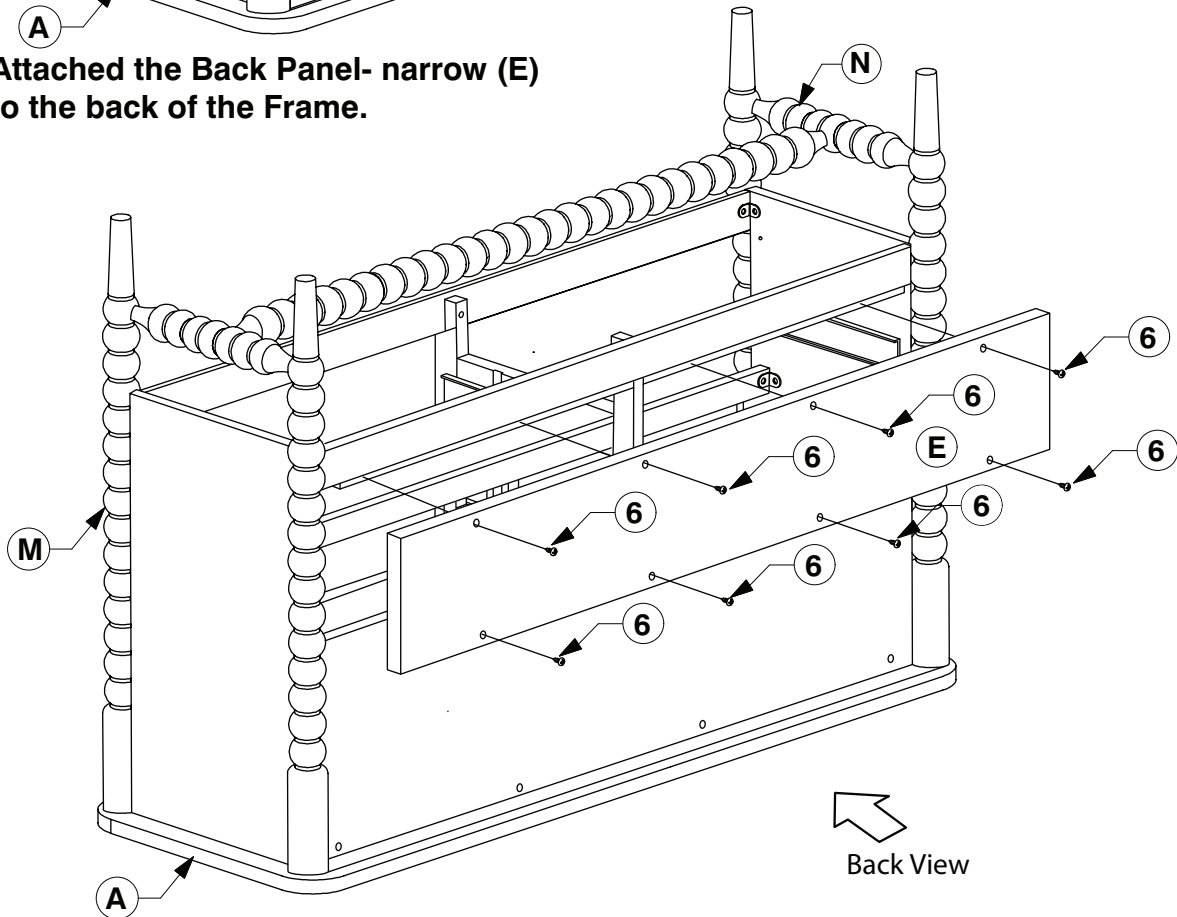
## Assembly Instructions

WI-1024

- 8** Attached the Back Panel- wider (B) to the back of the Frame.



- 9** Attached the Back Panel- narrow (E) to the back of the Frame.



# 9025 6 Drawer Dresser

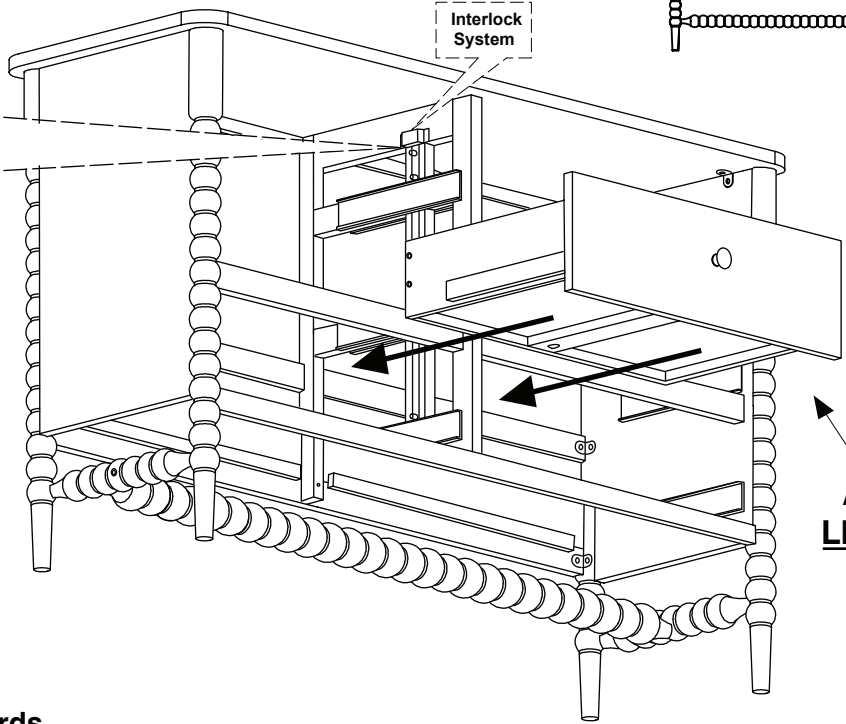
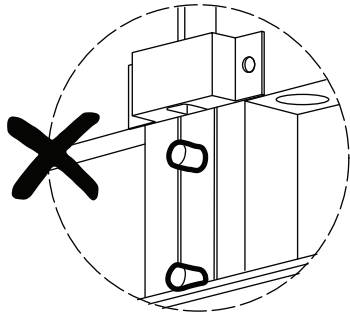
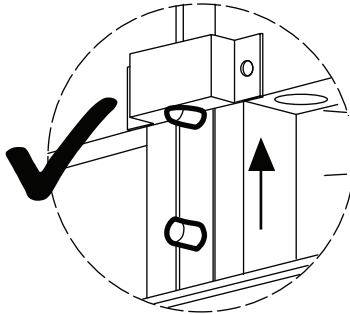
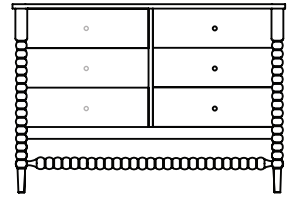
## Assembly Instructions

WI-1024

### 10 Install the Drawers.

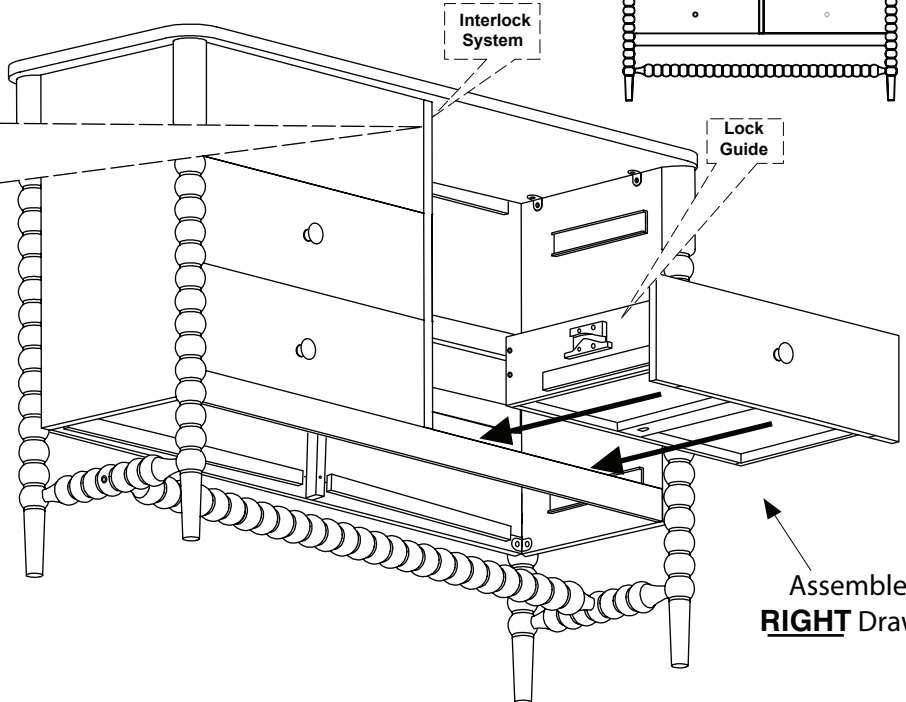
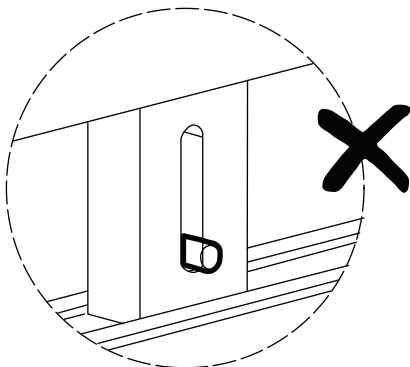
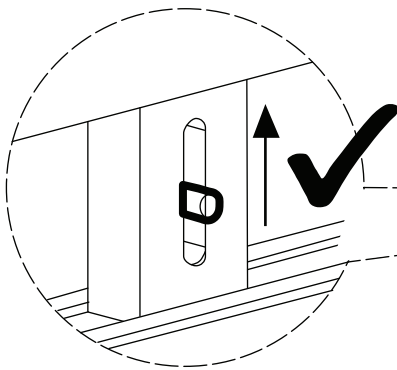
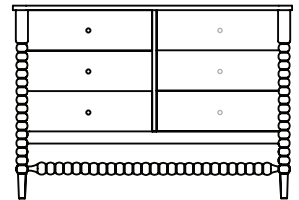
- Push the Interlock bar **upwards** before inserting the drawers.

LEFT



- Push the Interlock bar **upwards** before inserting the drawers.

RIGHT



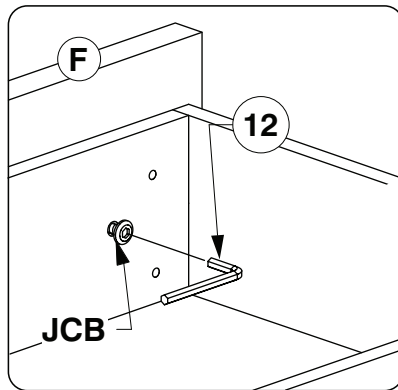
# 9025 6 Drawer Dresser

## Assembly Instructions

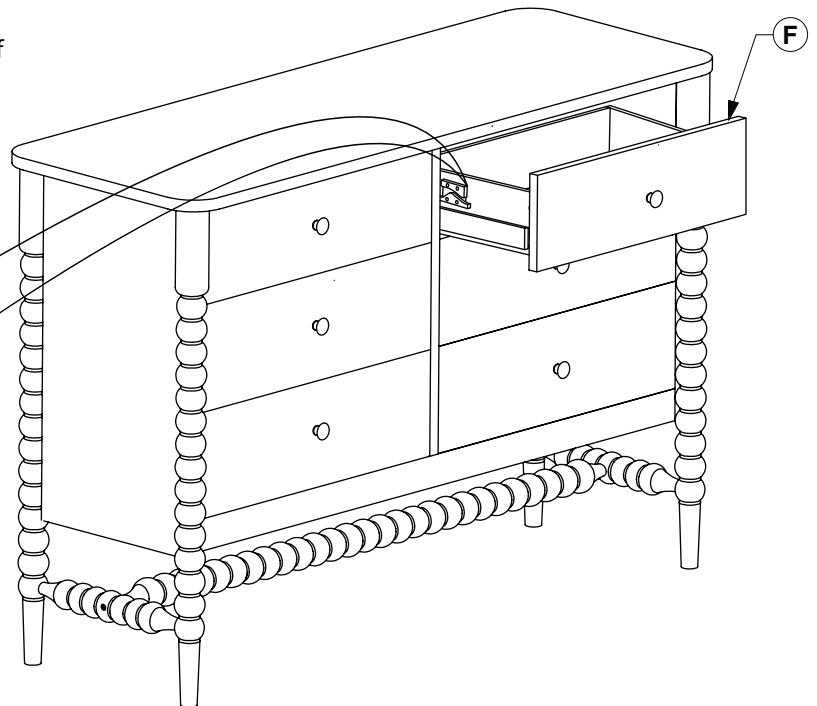
WI-1024

### 11 Adjust the Drawer Face (F).

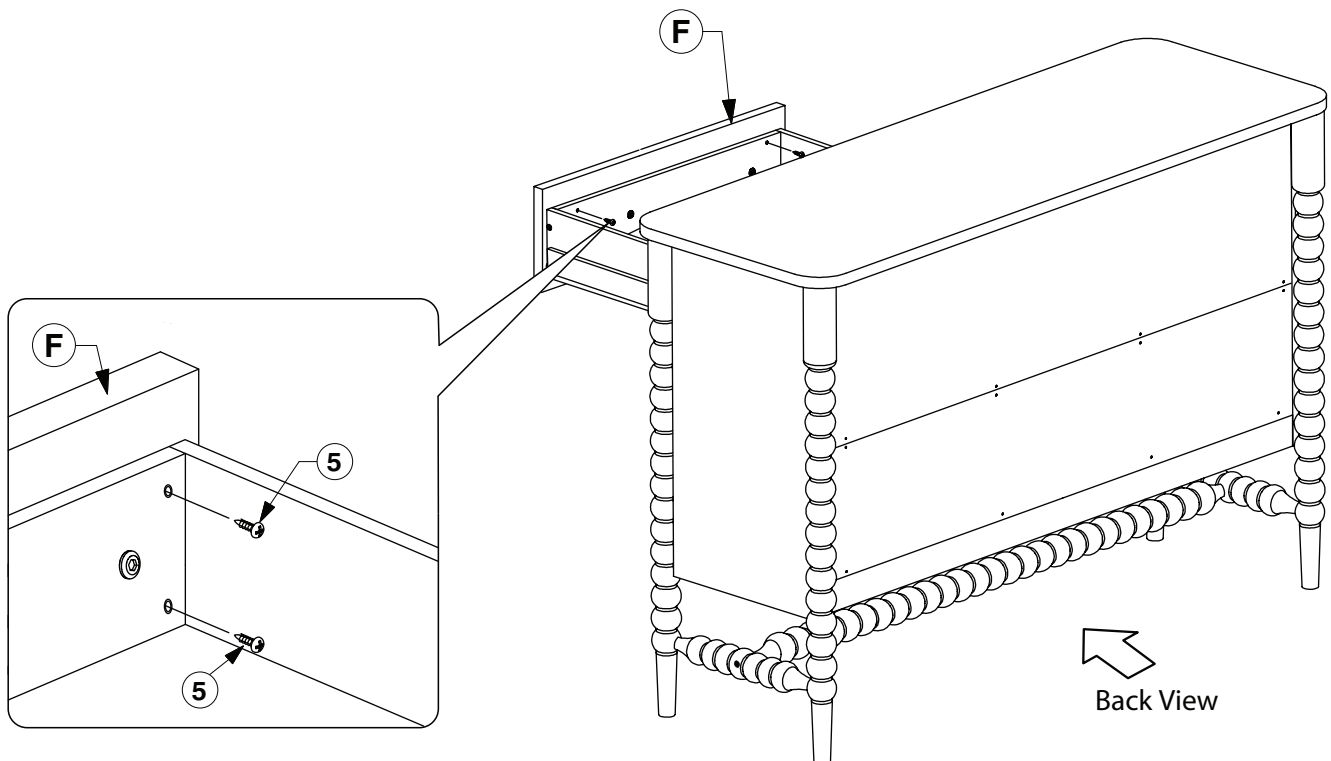
\* NOTE: Before fitting the Wood Screws .  
Losen the JCBs on the Drawer Face if  
the face needs alignment.



\* NOTE: Only one Drawer can be open  
at a time.



### 12 After the Drawer Faces (F) are aligned, secure with wood screws.



\* NOTE: Only one Drawer can be open  
at a time.

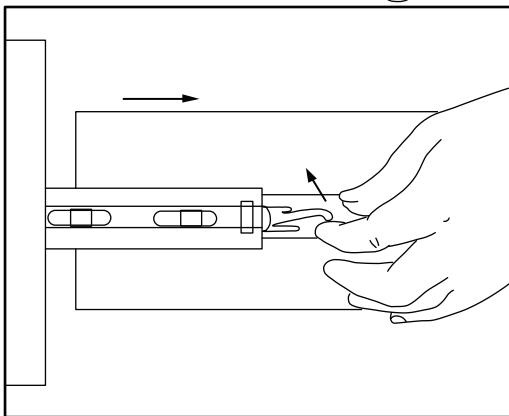
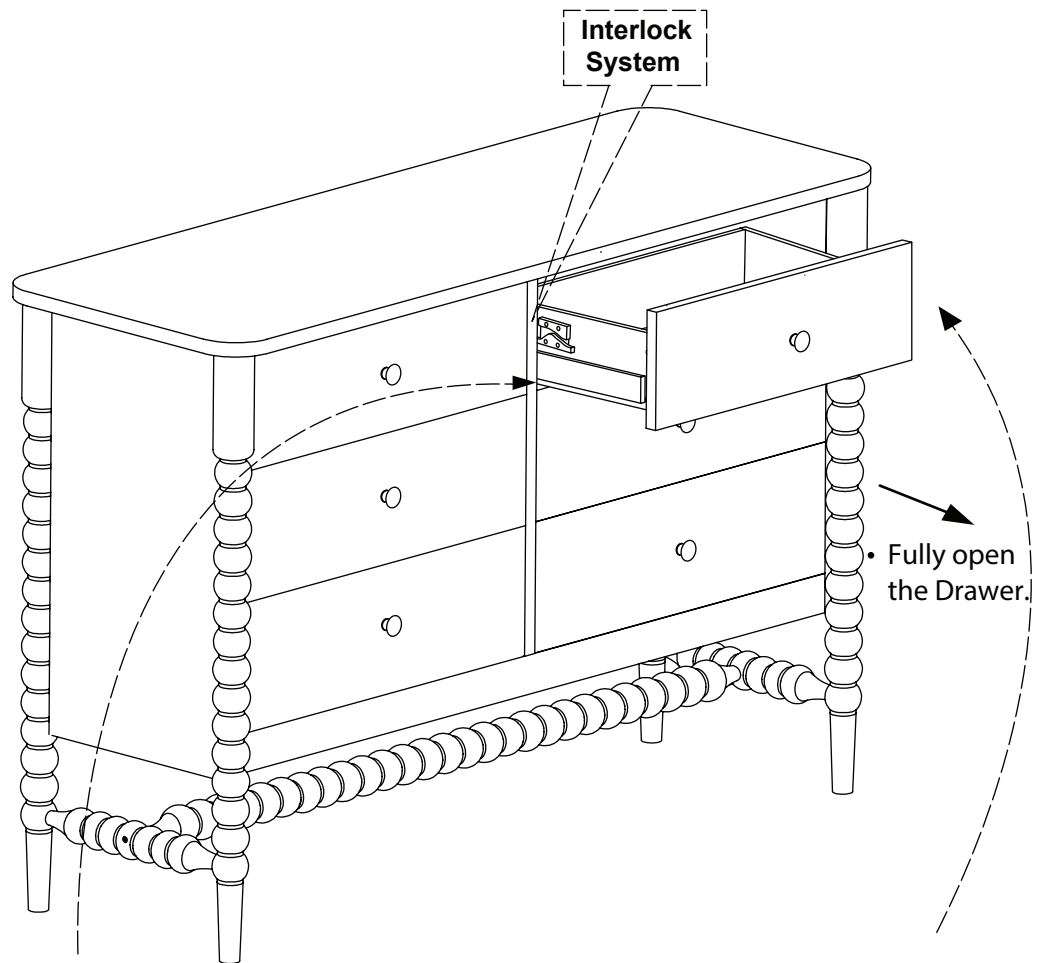
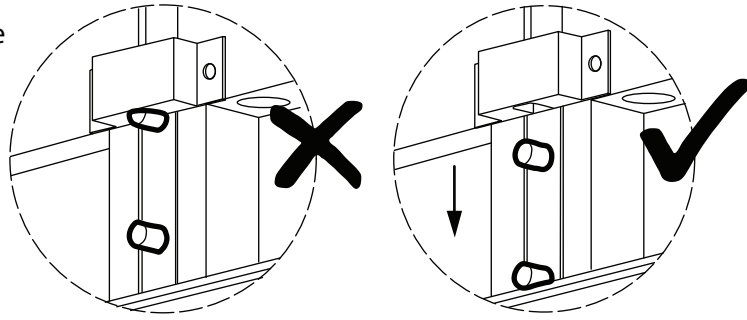
# 9025 6 Drawer Dresser

## Assembly Instructions

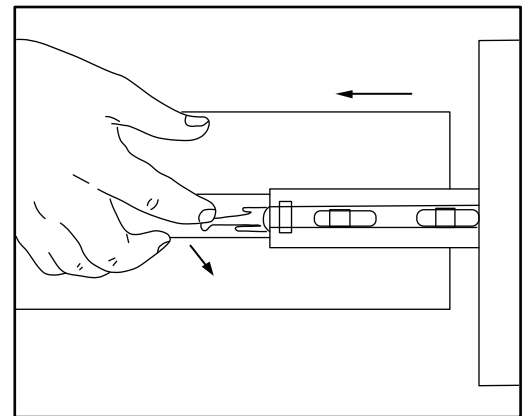
WI-1024

### 13 Remove the Drawers.

- After removing the top drawer, push the interlock bar **down**. Then remove the lower drawers.



- Lift the **LEFT** side clip up.

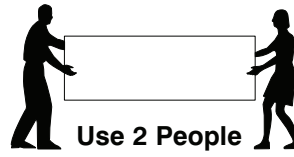
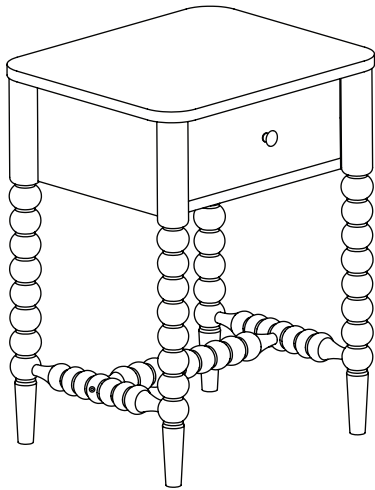


- Push the **RIGHT** side clip down.

# 9025 1 Drawer Night Stand

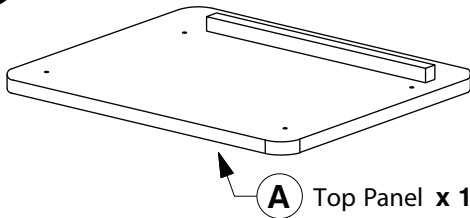
## Assembly Instructions

WI-1025

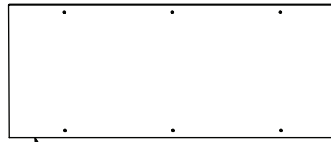


**Note:** Do not assemble using power tools. This can cause the bolts to be overtightened

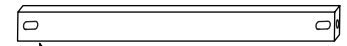
### 1 Parts List



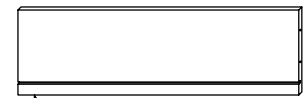
**A** Top Panel x 1



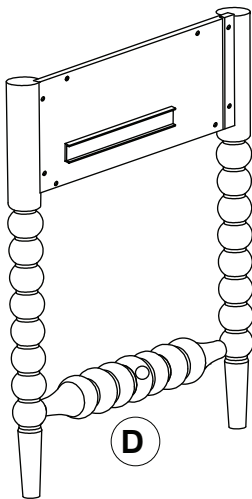
**B** Back Panel x 1



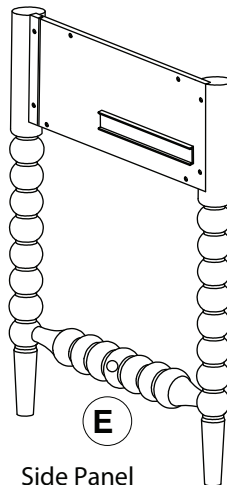
**C** Support Bar x 2



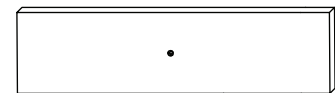
**F** Drawer Back x 1



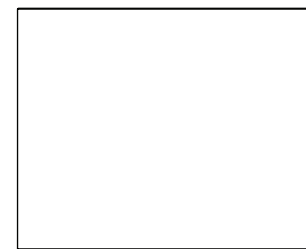
**D** Side Panel (Left Hand) x 1



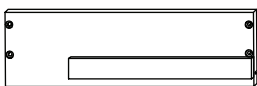
**E** Side Panel (Right Hand) x 1



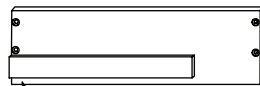
**G** Drawer Face x 1



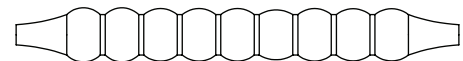
**H** Drawer Bottom x 1



**J** Drawer Side (Left Hand) x 1



**K** Drawer Side (Right Hand) x 1



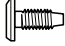


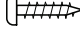
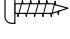
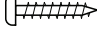
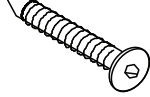

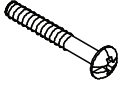

**L** Bottom Support Bar x 1

# 9025 1 Drawer Night Stand

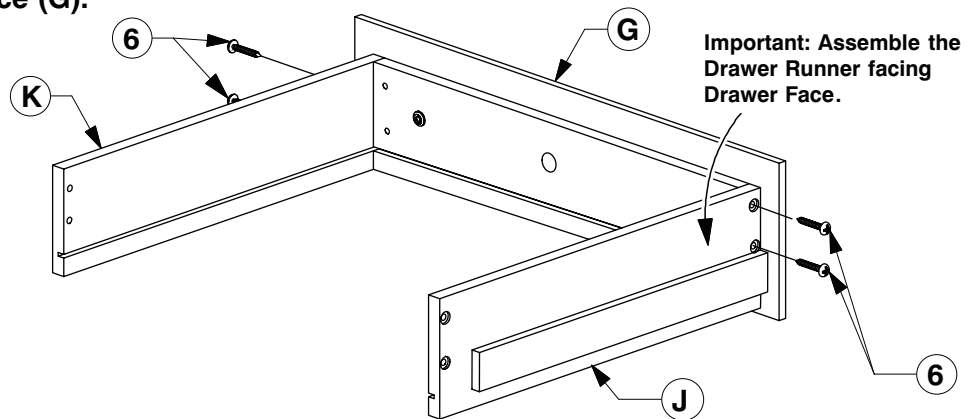
## Assembly Instructions

WI-1025

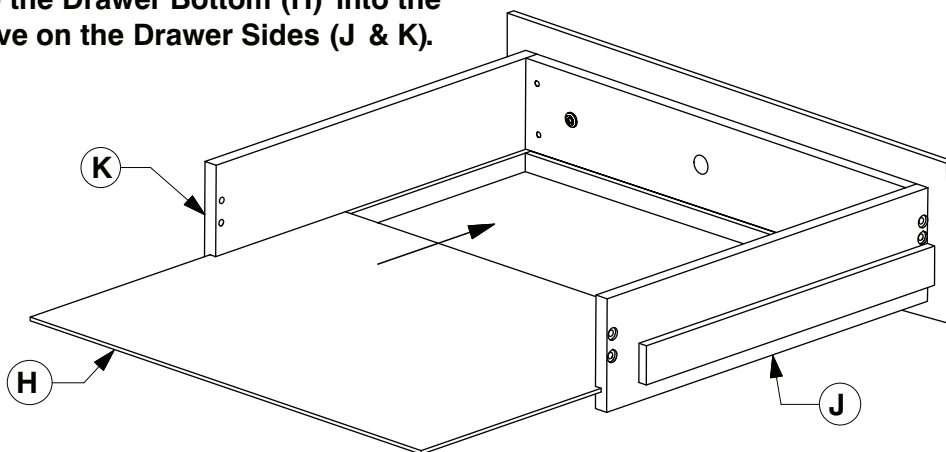
### 2 Hardware List

- |  |  |  |  |  |
|--|--|--|--|--|
| <br>① M6 x 15mm<br>JCB x 8        | <br>② M6 x<br>30mm JCB<br>x 4 | <br>③ 'L' Bracket<br>(5005-3) x 4 | <br>④ M4 x 20mm<br>Wood Screw x 4 | <br>⑤ M4 x 16mm<br>Wood Screw x 6 |
| <br>⑥ M4 x 25mm<br>Wood Screw x 8 | <br>⑦ M6 X50mm<br>JCBC W x 2  | <br>⑧ Handle x 1                  | <br>⑨ M4 x 22mm<br>Wood Screw x 1 | <br>⑩ Allen Key<br>x 1            |

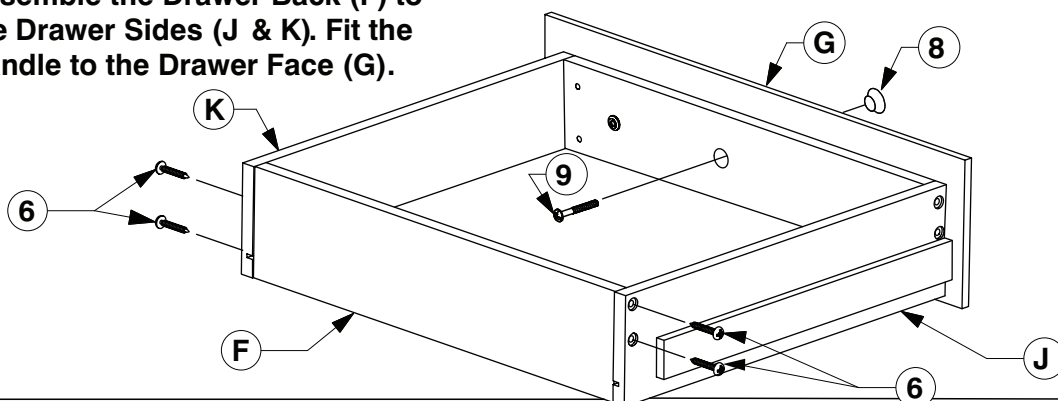
### 3 Assemble the Drawer Sides (J & K) to the Drawer Face (G).



### 4 Slide the Drawer Bottom (H) into the groove on the Drawer Sides (J & K).



### 5 Assemble the Drawer Back (F) to the Drawer Sides (J & K). Fit the Handle to the Drawer Face (G).

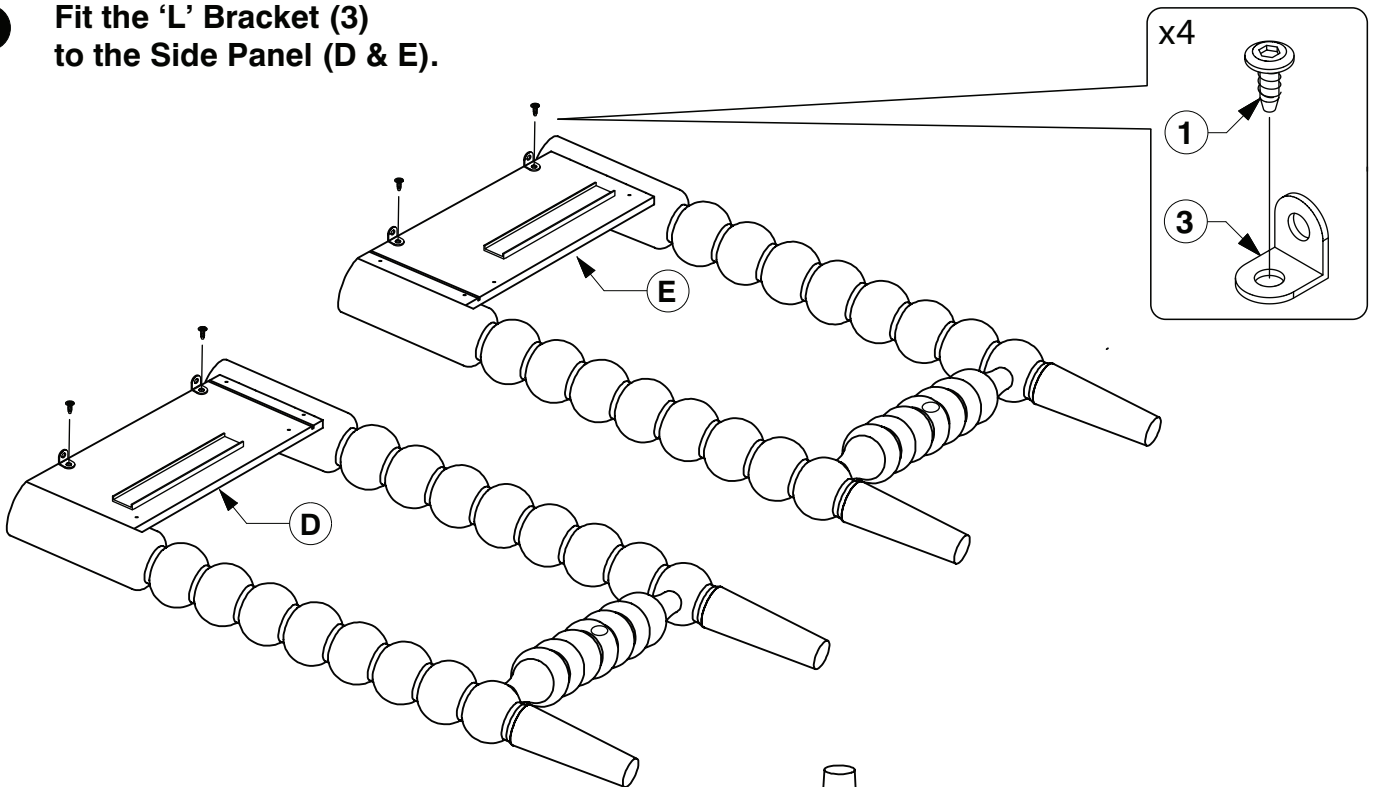


# 9025 1 Drawer Night Stand

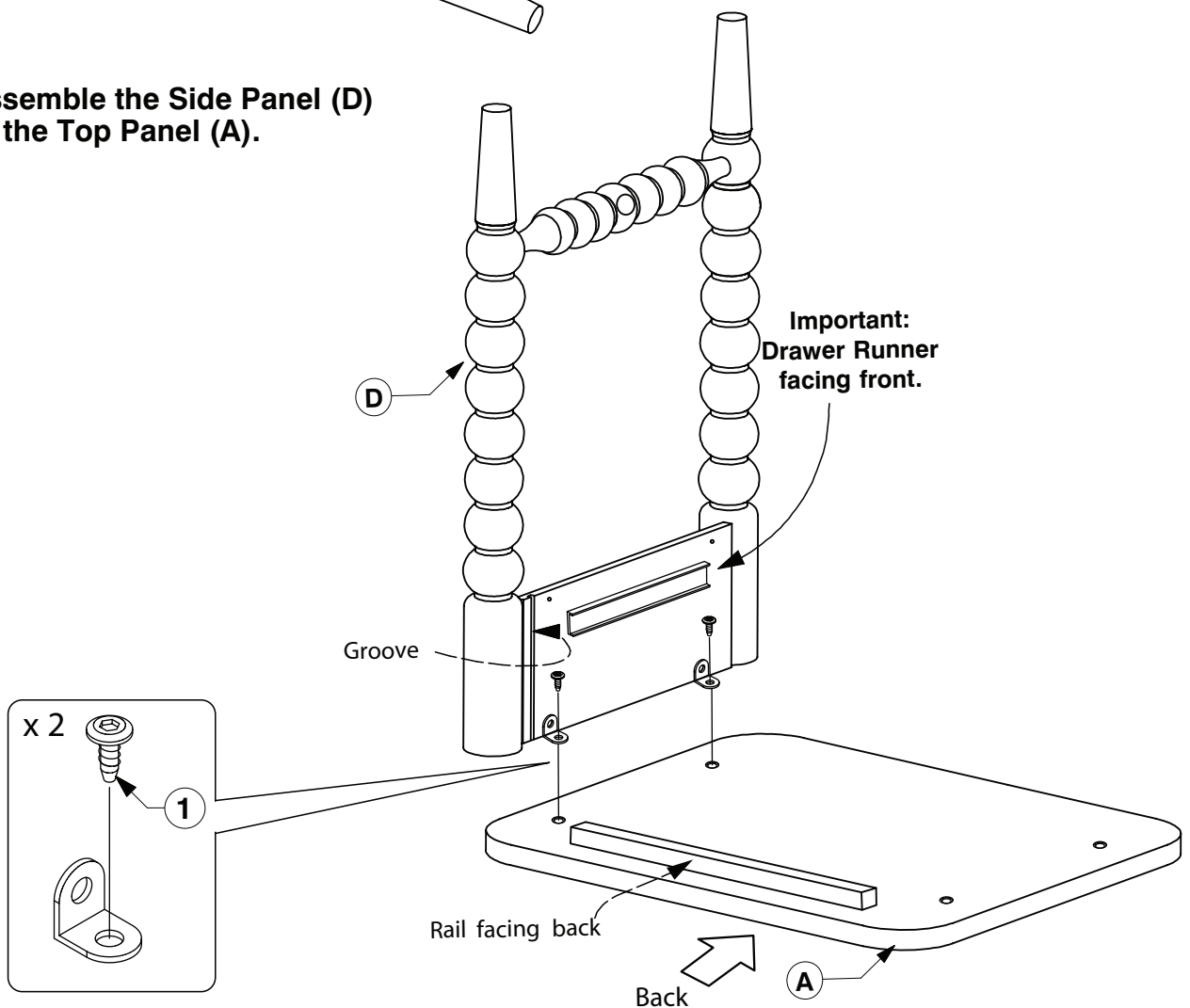
## Assembly Instructions

WI-1025

- 6** Fit the 'L' Bracket (3) to the Side Panel (D & E).



- 7** Assemble the Side Panel (D) to the Top Panel (A).

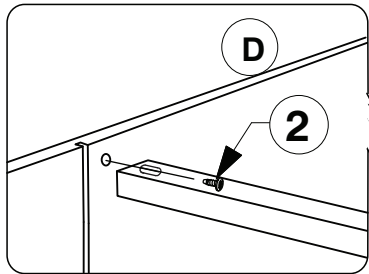


# 9025 1 Drawer Night Stand

## Assembly Instructions

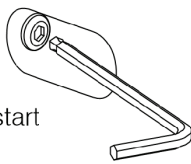
WI-1025

- 8** Fit the Bottom Support Bar (L) & Support Bar (C) to the Side Panel (D).



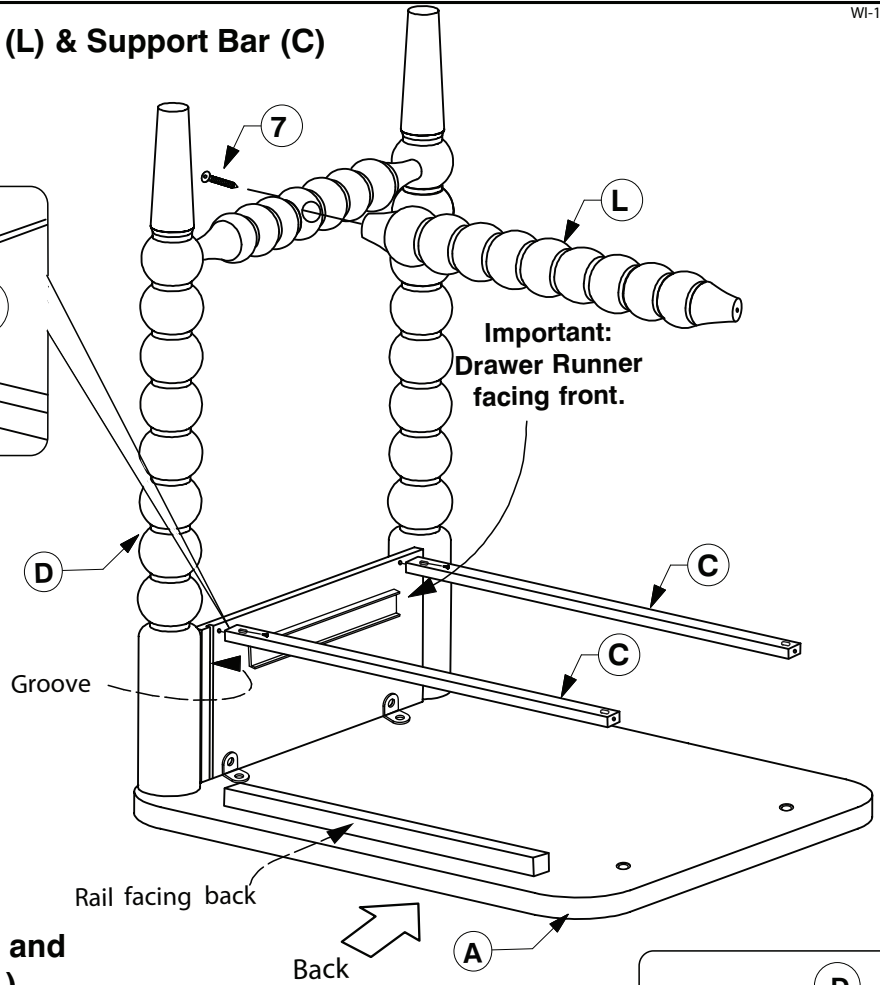
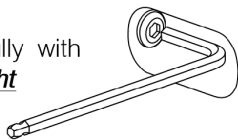
### Step 1

Use the **ball end** of Allen key to start the bolt.



### Step 2

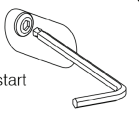
Tighten fully with the **straight end**.



- 9** Assemble the Side Panel (E) and to the Bottom Support Bar (L) and Support Bar (C) Top Panel (A).

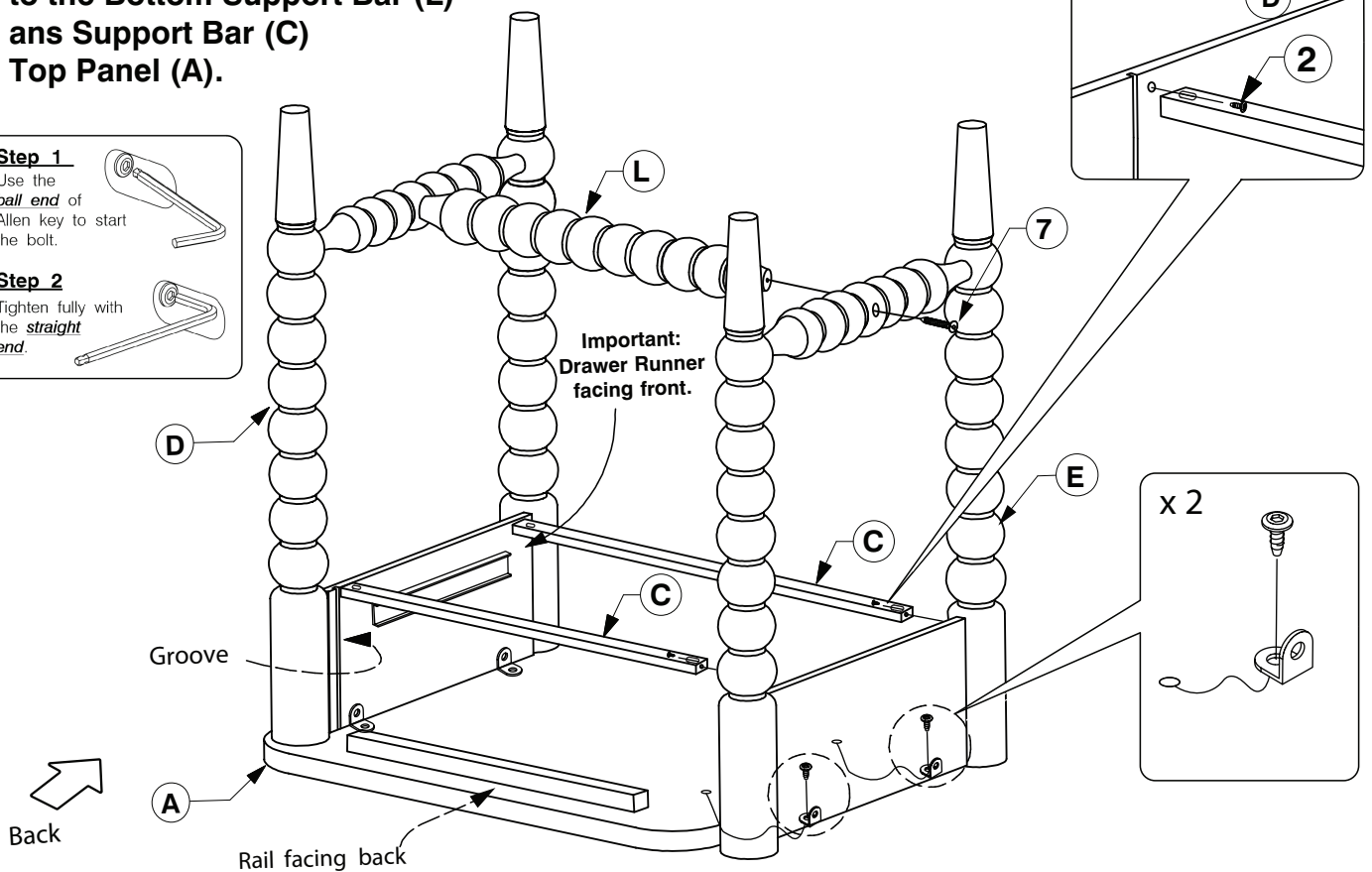
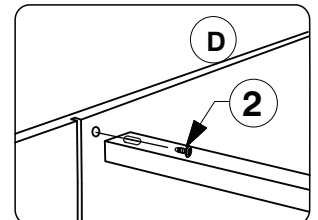
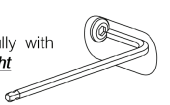
### Step 1

Use the **ball end** of Allen key to start the bolt.



### Step 2

Tighten fully with the **straight end**.

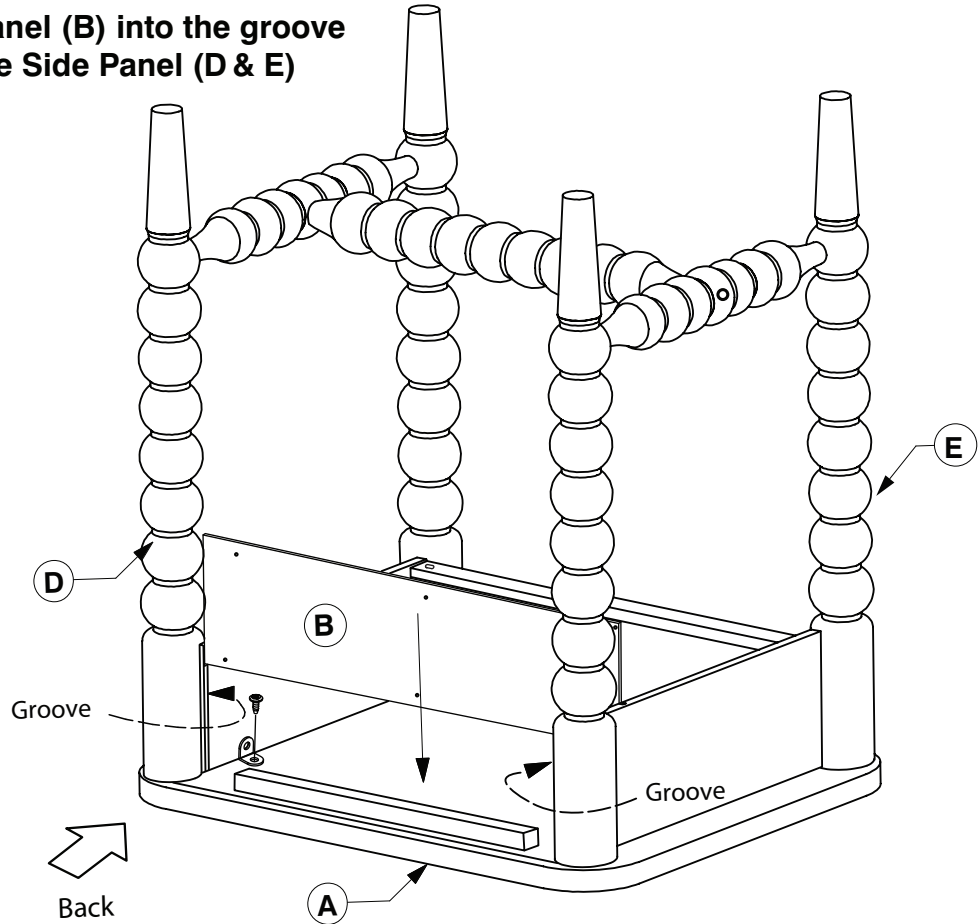


# 9025 1 Drawer Night Stand

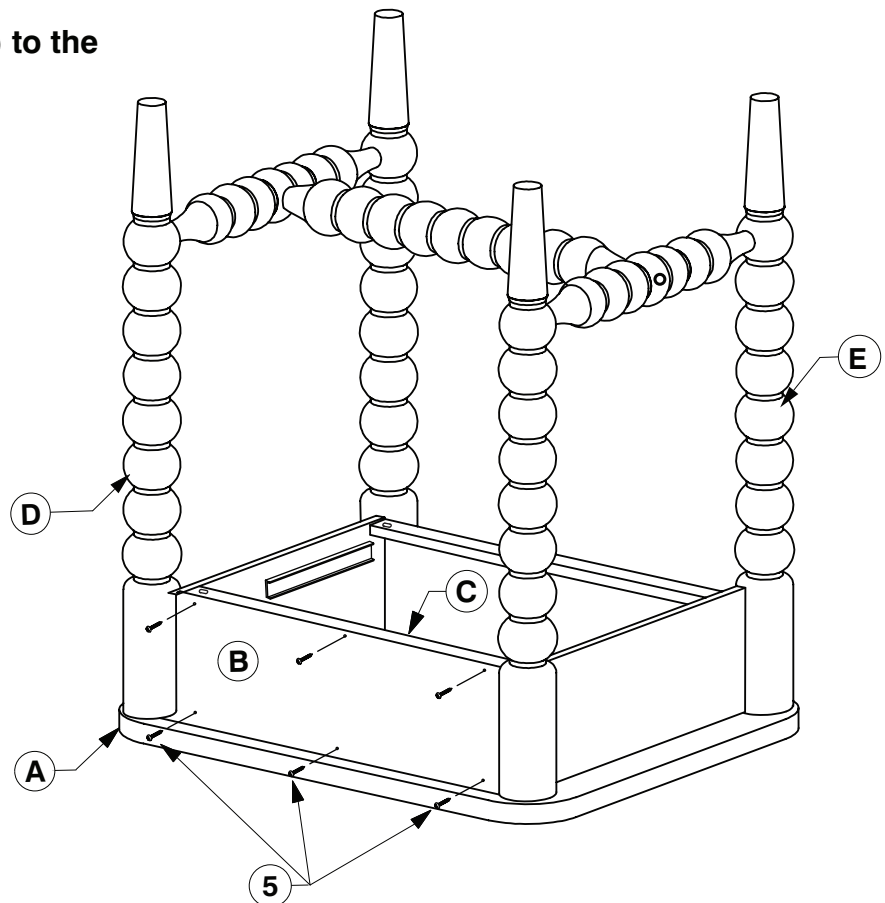
## Assembly Instructions

WI-1025

- 10** Slide the Back Panel (B) into the groove on the back of the Side Panel (D & E)



- 11** Screw the Back Panel (B) to the Side Panel (D & E).

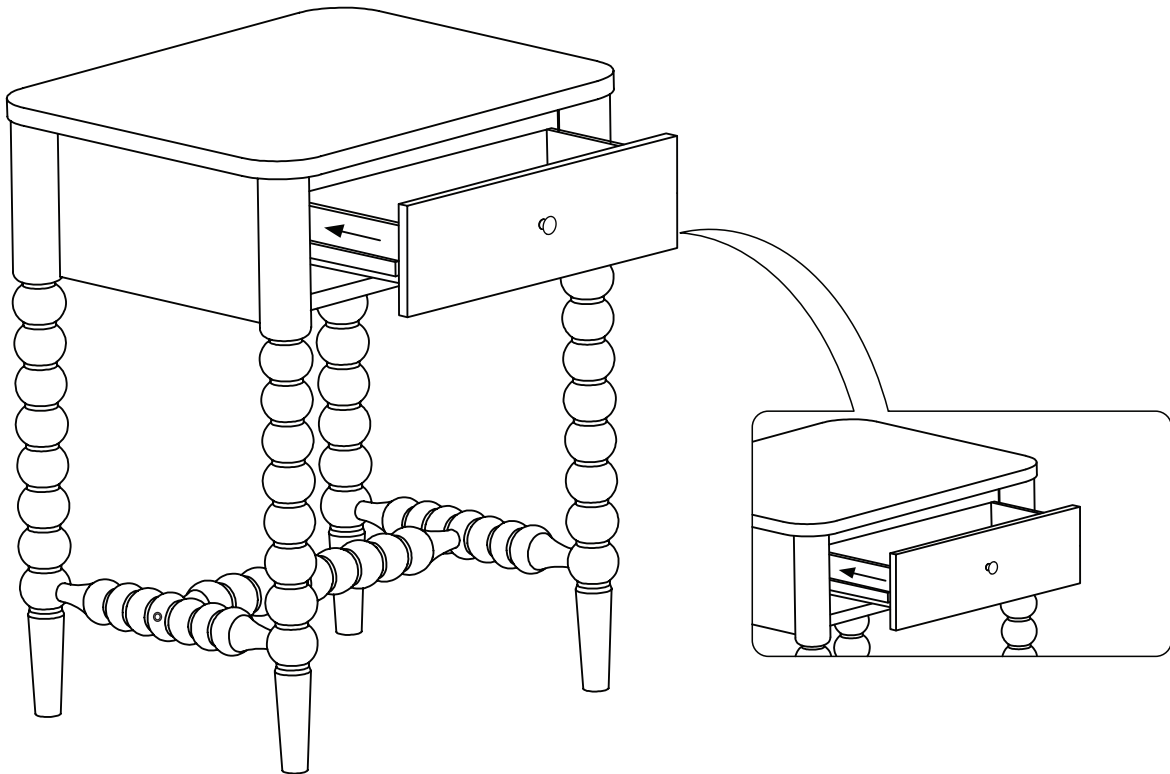


# 9025 1 Drawer Night Stand

## Assembly Instructions

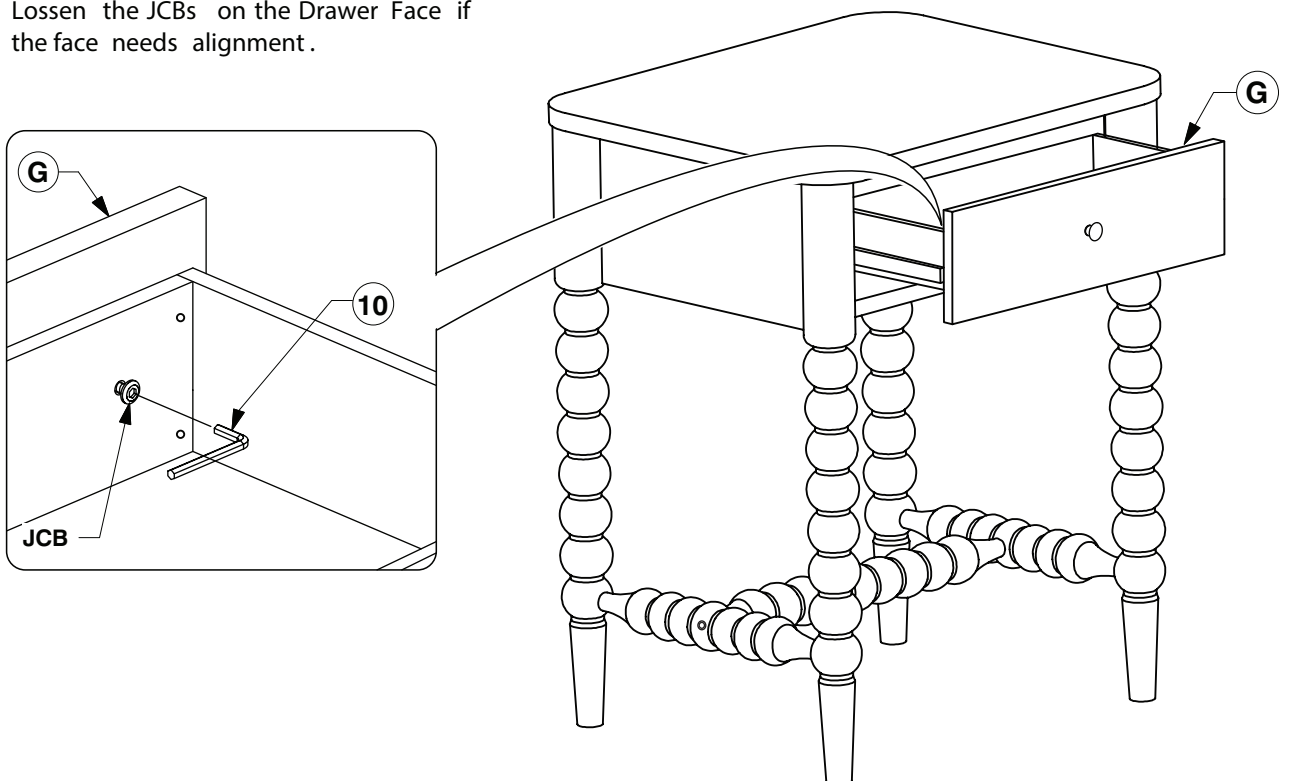
WI-1025

### 12 Fit the Drawer Box to the Casegood Body.



### 13 Adjust the Drawer Face (G).

\* NOTE: Before fitting the Wood Screws .  
Loosen the JCBs on the Drawer Face if  
the face needs alignment.



---

# 9025 1 Drawer Night Stand

## Assembly Instructions

---

WI-1025

- 14** After the Drawer Faces (G) are aligned, secure with wood screws.

