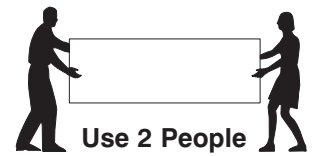
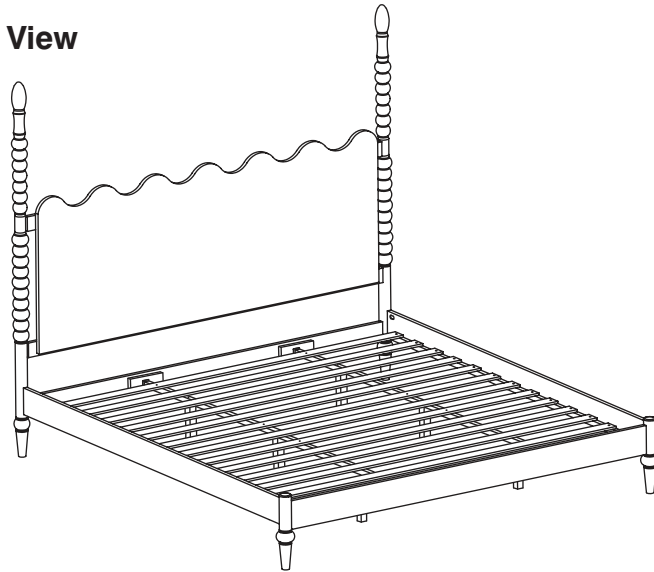


# 0110-6 King Bed

## Assembly Instructions

WI-1025

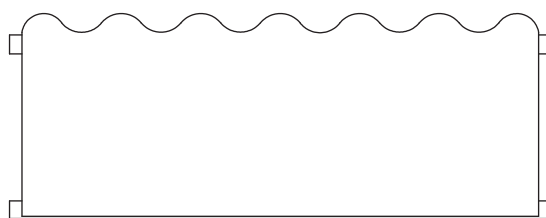
### 1 Assembled View



**Note:** Do not assemble using power tools. This can cause the bolts to be overtightened

### 2 Parts List

Parts in Box A:



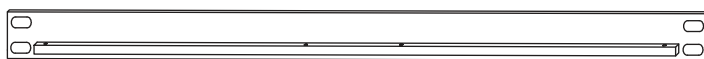
**A** Headboard Panel x 1

**B** Headboard Support x 1

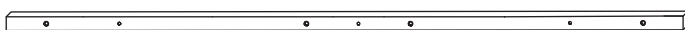
Parts in Box B:



**C** Footboard Panel x 1



**D** Side Rail x 2



**E** Long Support x 2



**F** Headboard Post (Left) x 1



**G** Headboard Post (Right) x 1



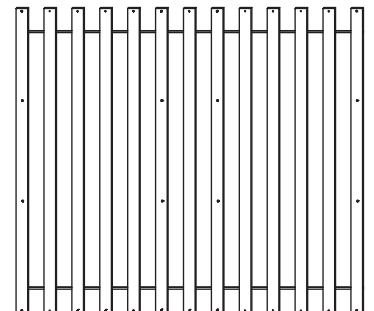
**H** Footboard Post (Left) x 1



**J** Footboard Post (Right) x 1



**K** Support Leg x 6



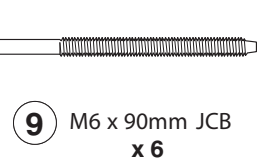
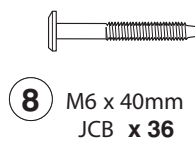
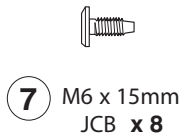
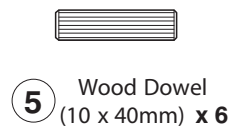
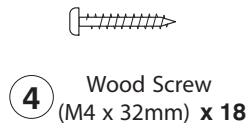
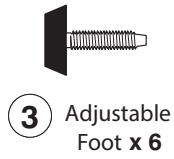
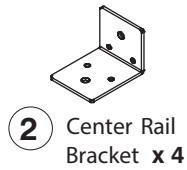
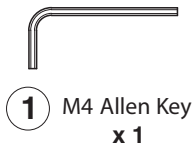
**L** Set of Bed Slats x 1

# 0110-6 King Bed

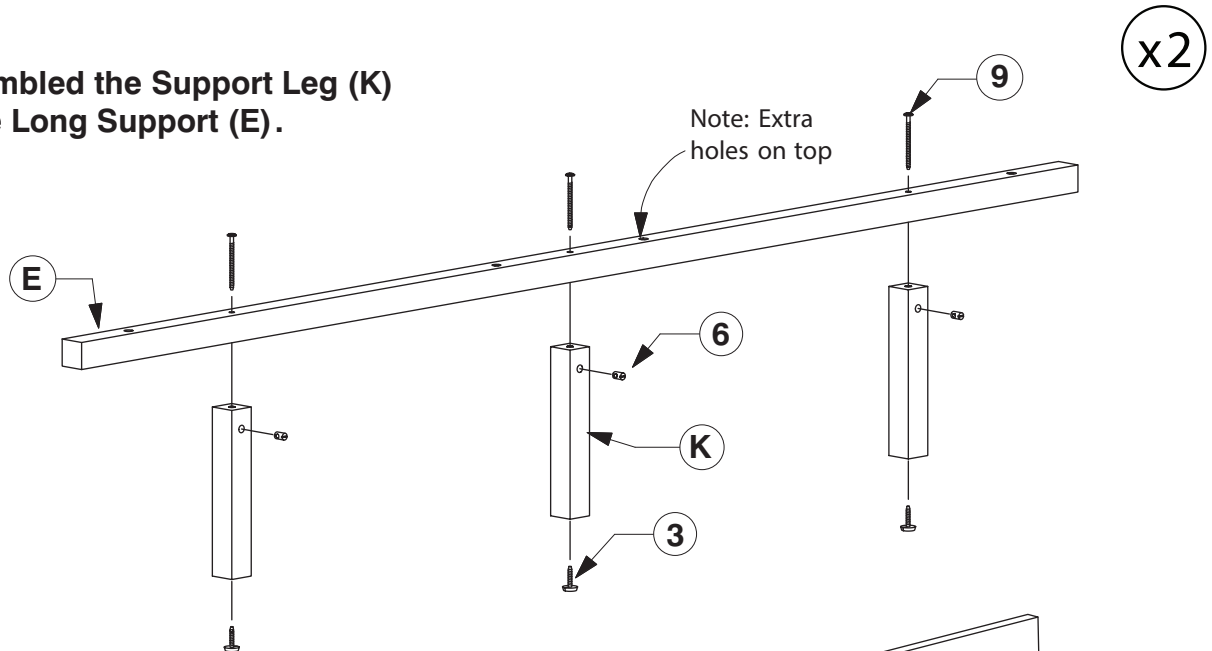
## Assembly Instructions

WI-1025

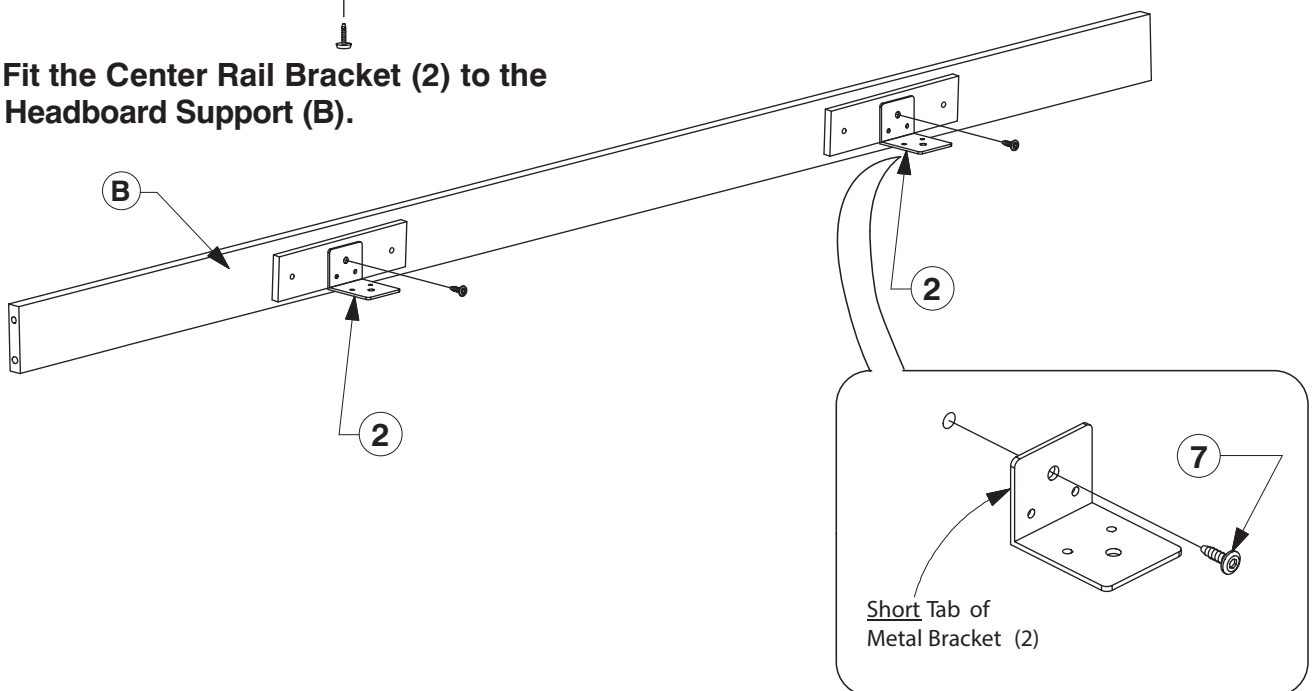
### 3 Hardware List



### 4 Assembled the Support Leg (K) to the Long Support (E).



### 5 Fit the Center Rail Bracket (2) to the Headboard Support (B).

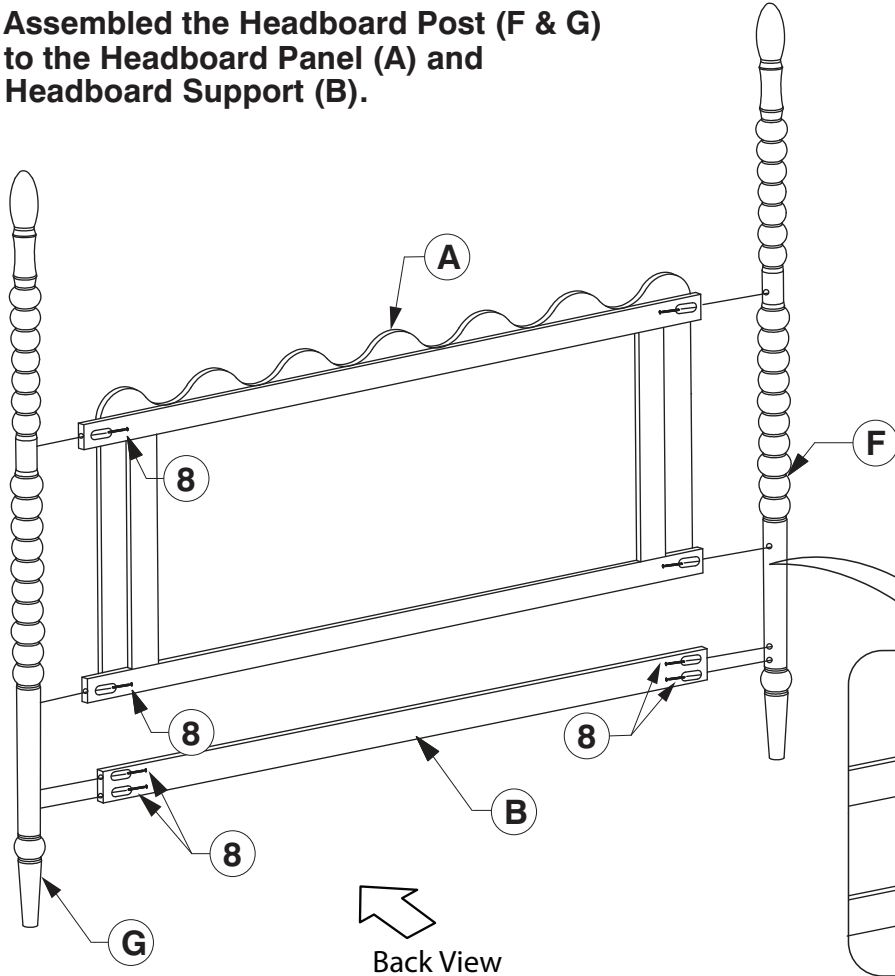


# 0110-6 King Bed

## Assembly Instructions

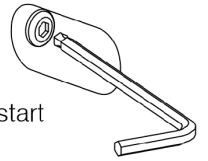
WI-1025

### 6 Assembled the Headboard Post (F & G) to the Headboard Panel (A) and Headboard Support (B).



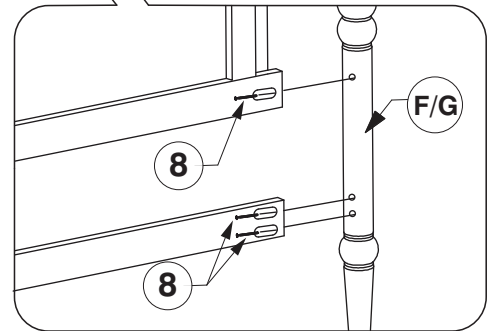
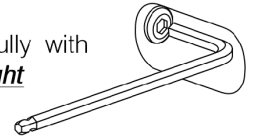
#### Step 1

Use the **ball end** of Allen key to start the bolt.

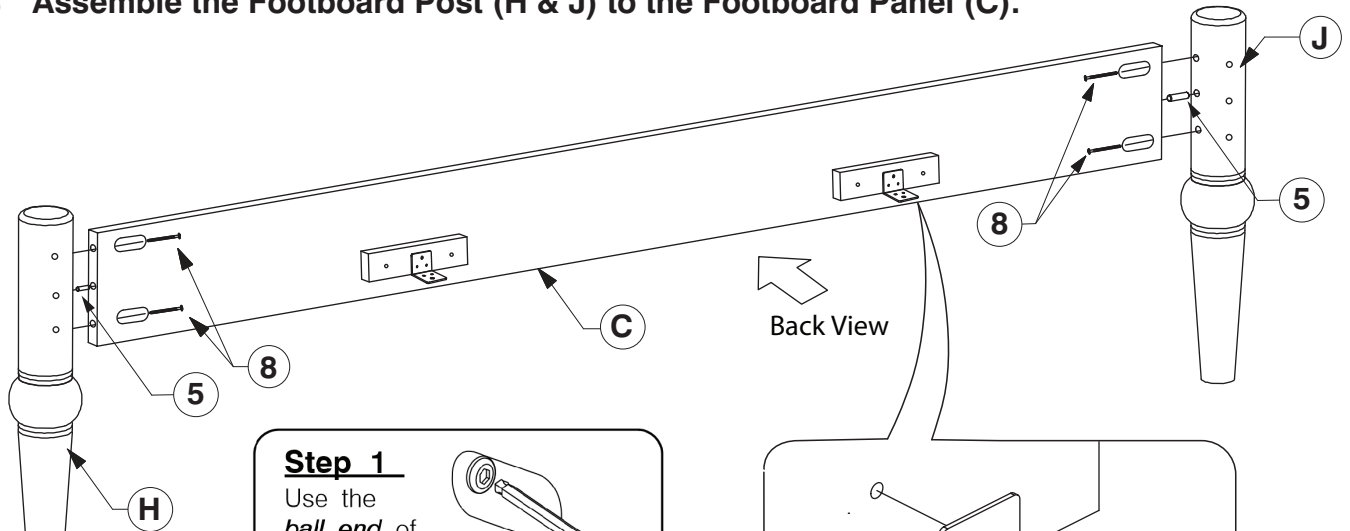


#### Step 2

Tighten fully with the **straight end**.

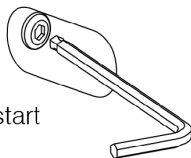


### 7 Assemble the Footboard Post (H & J) to the Footboard Panel (C).



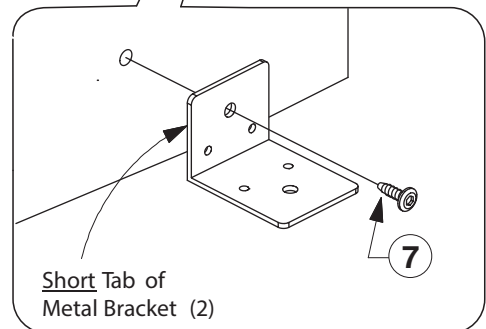
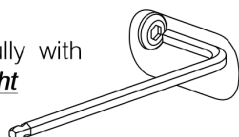
#### Step 1

Use the **ball end** of Allen key to start the bolt.



#### Step 2

Tighten fully with the **straight end**.



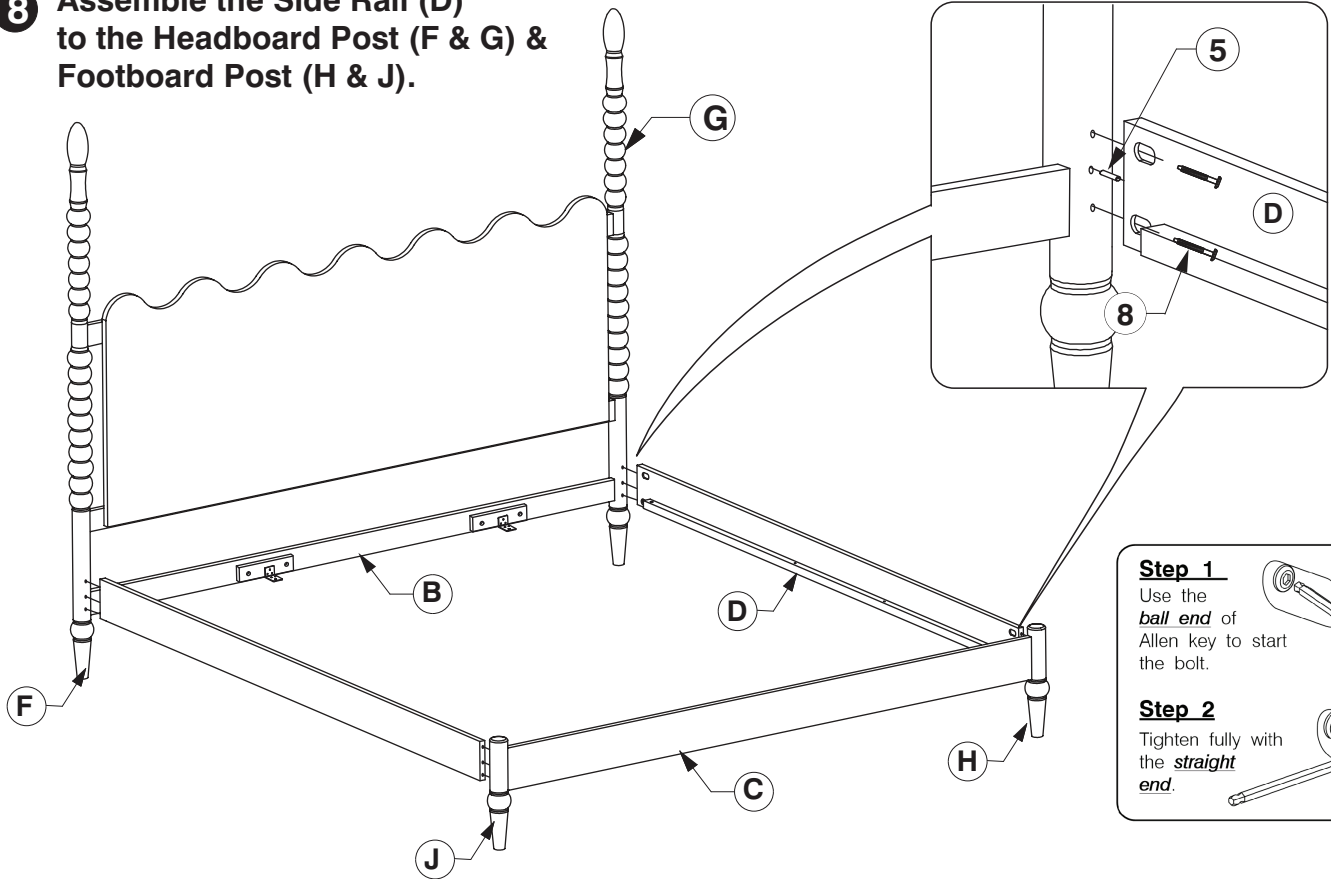
Short Tab of Metal Bracket (2)

# 0110-6 King Bed

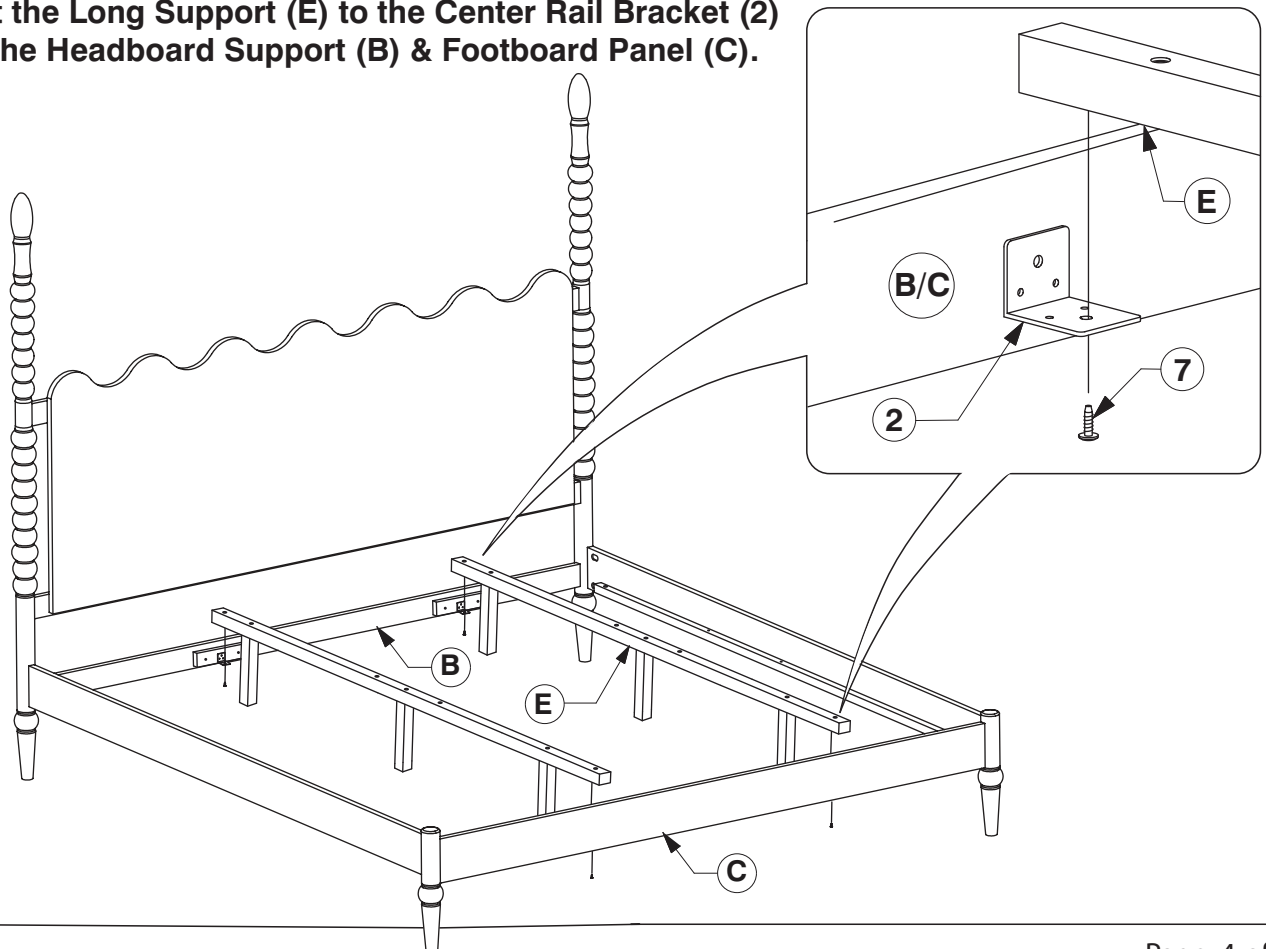
## Assembly Instructions

WI-1025

- 8** Assemble the Side Rail (D) to the Headboard Post (F & G) & Footboard Post (H & J).



- 9** Bolt the Long Support (E) to the Center Rail Bracket (2) on the Headboard Support (B) & Footboard Panel (C).

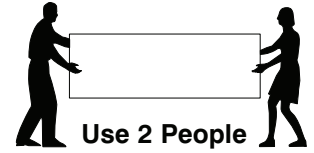
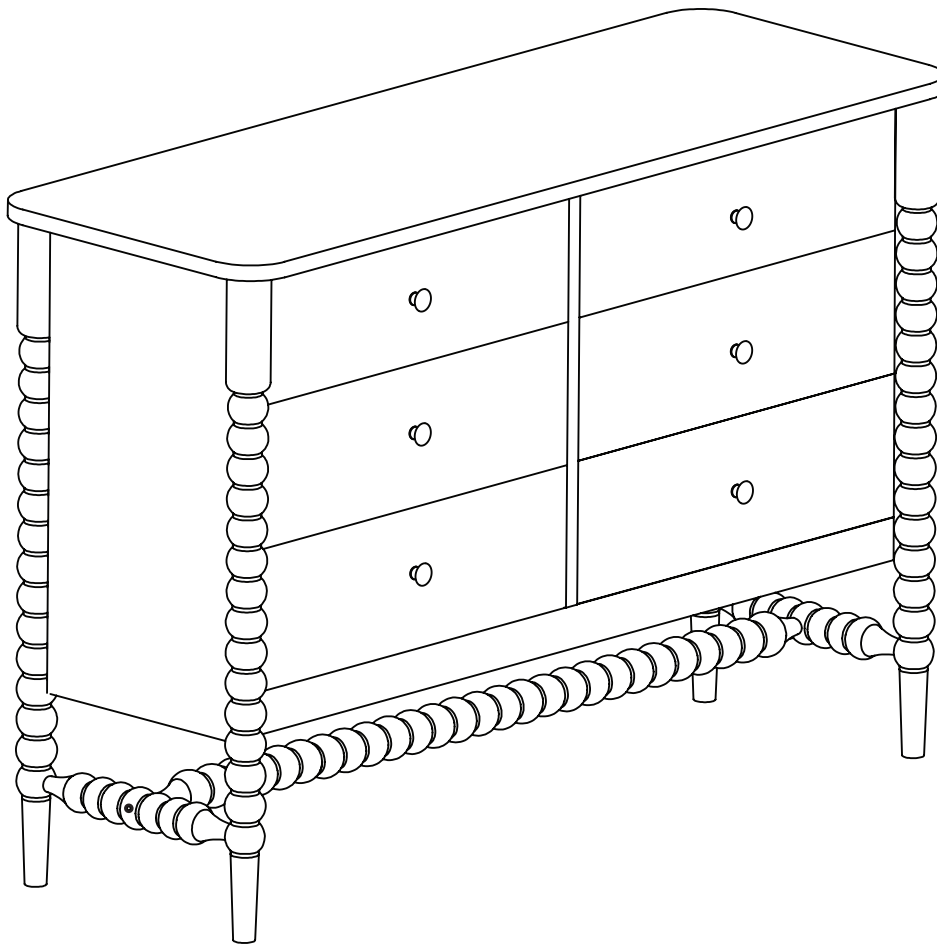




# 9025 6 Drawer Dresser

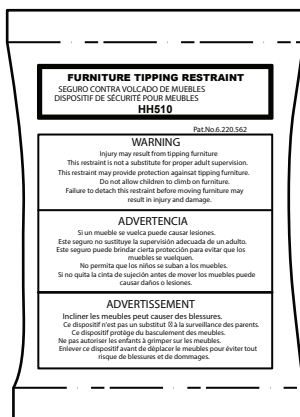
## Assembly Instructions

WI-1024



**Note:** Do not assemble using power tools. This can cause the bolts to be overtightened

### WARNING



Anti Tipping Kit  
Anti Tipping Kit x 1



Children have died from furniture tipover.

To reduce the risk of furniture tipover:

- ALWAYS install anti-tip device provided.
- NEVER put a TV on this product.
- NEVER allow children to stand, climb, or hang on any drawers, doors or shelves.
- NEVER open more than one drawer at a time.
- DO NOT defeat or remove the drawer interlock system; it is an important stability and safety system.
- Place heaviest items in the lowest drawer.

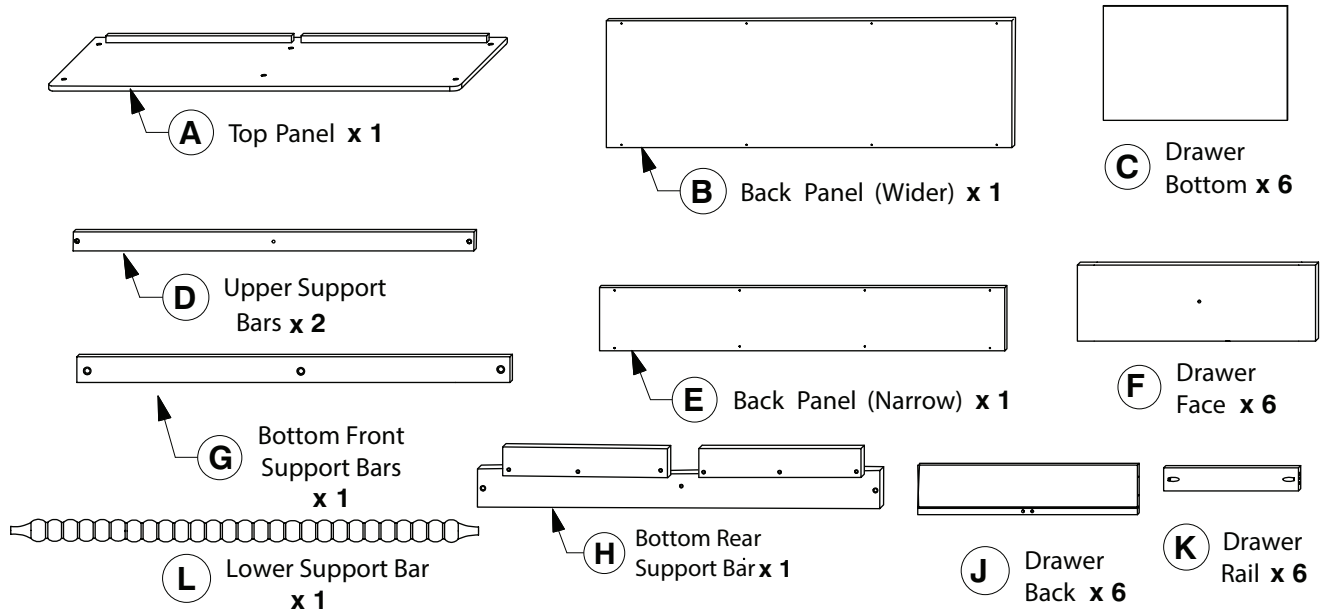
# 9025 6 Drawer Dresser

## Assembly Instructions

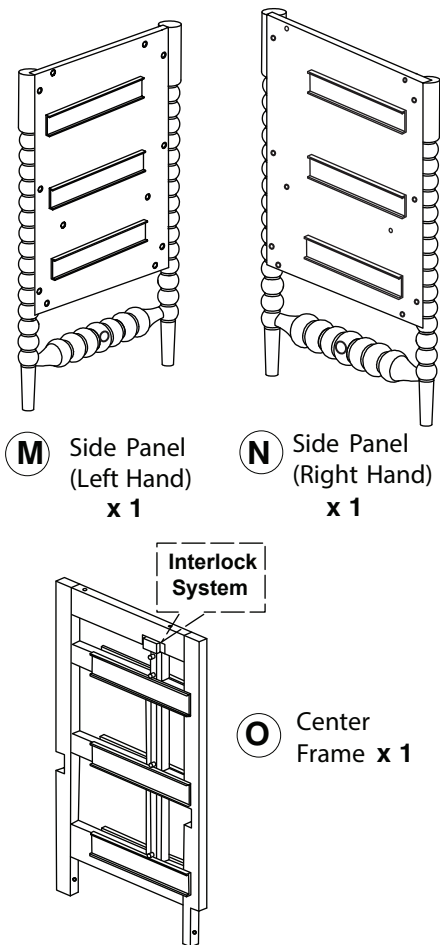
WI-1024

### 1 Parts List

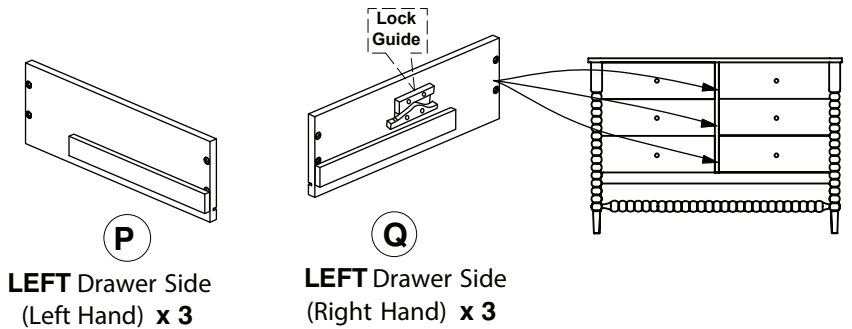
Parts in Box A:



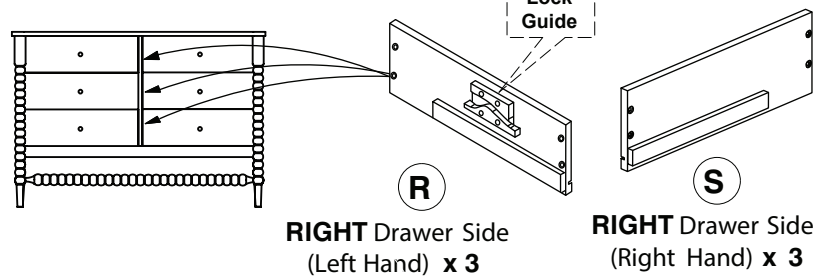
Parts in Box B:



Parts for **LEFT** Side Drawer



Parts for **RIGHT** Side Drawer





# 9025 6 Drawer Dresser

## Assembly Instructions

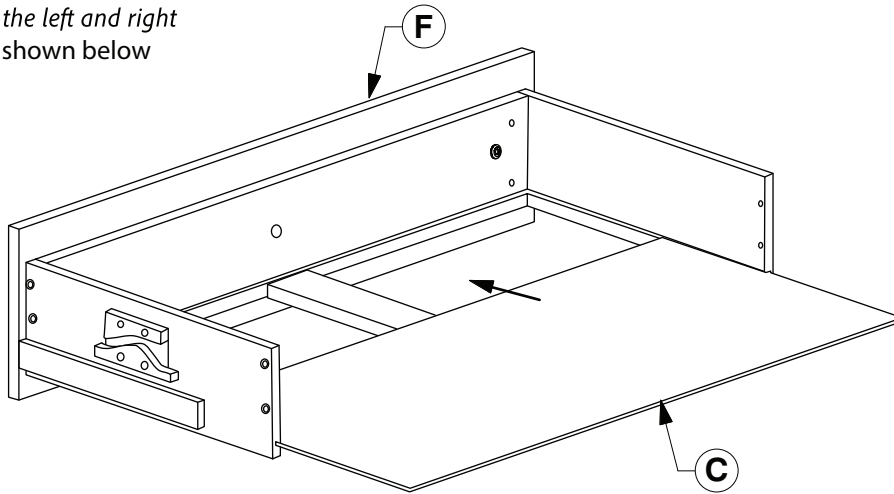
WI-1024

### 3 Assemble the Drawers.

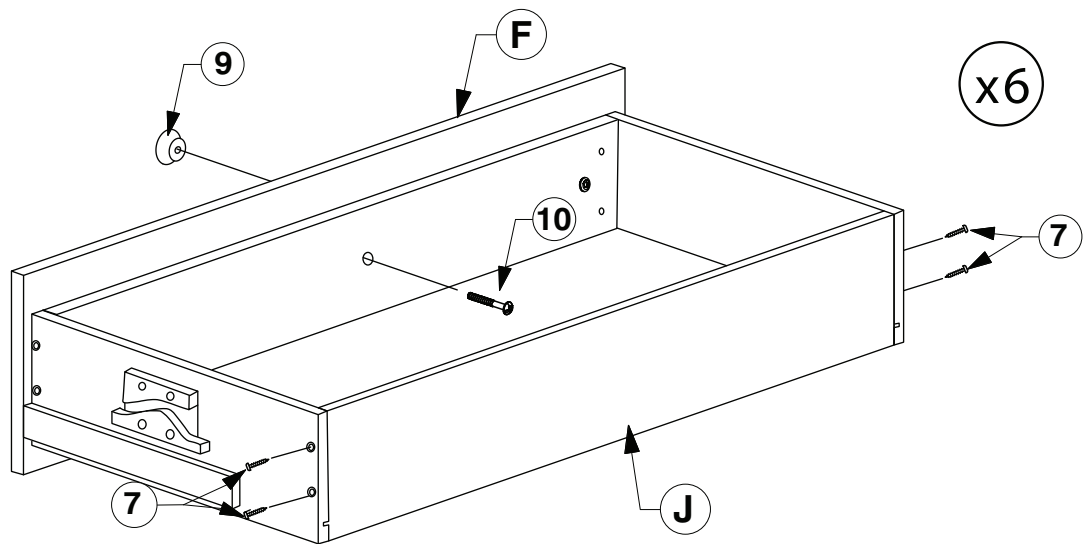
#### STEP 3.2

\* 3 Assemble the left and right drawers as shown below

x6

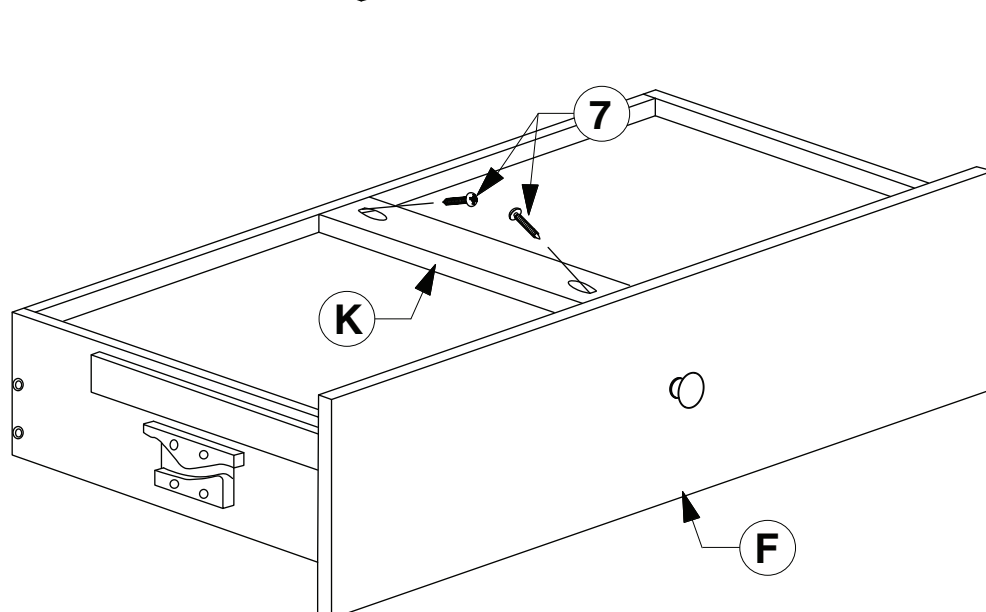


#### STEP 3.3



x6

#### STEP 3.4



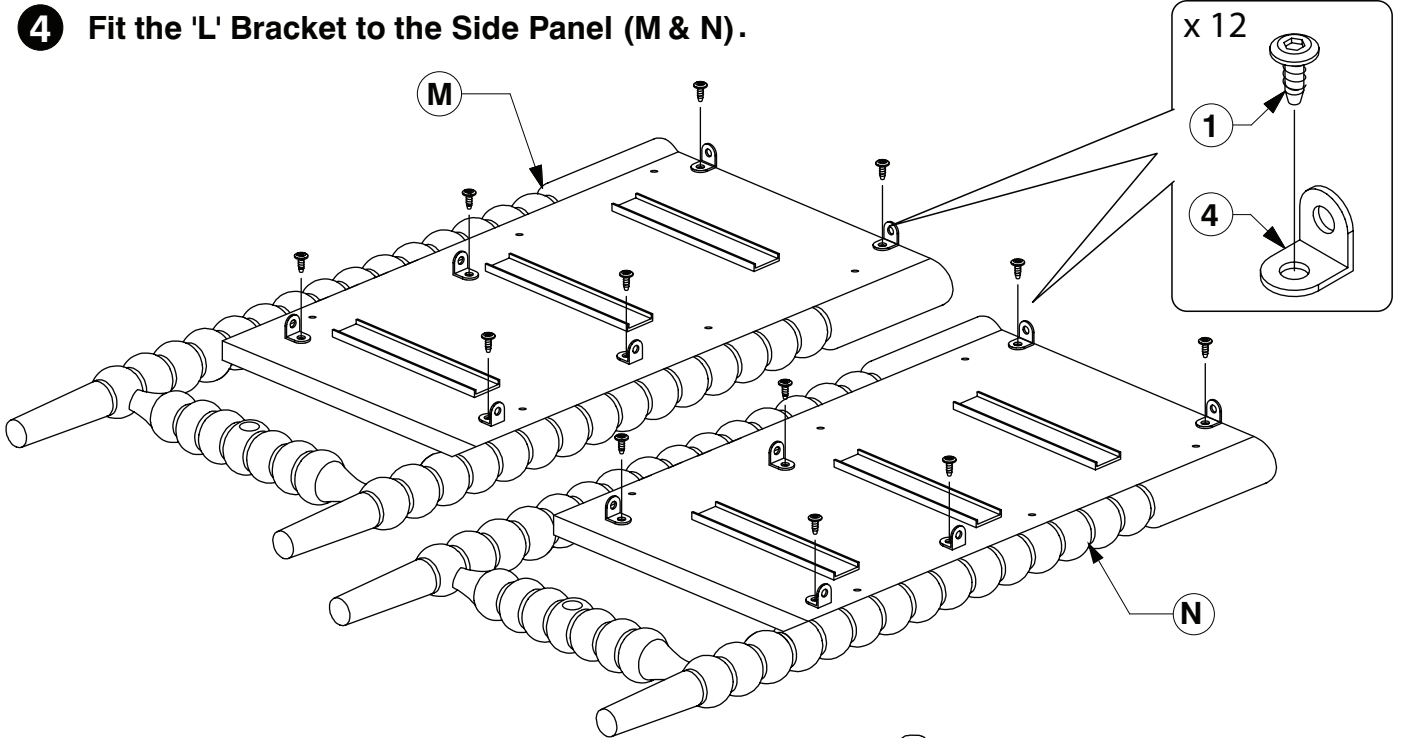
x6

# 9025 6 Drawer Dresser

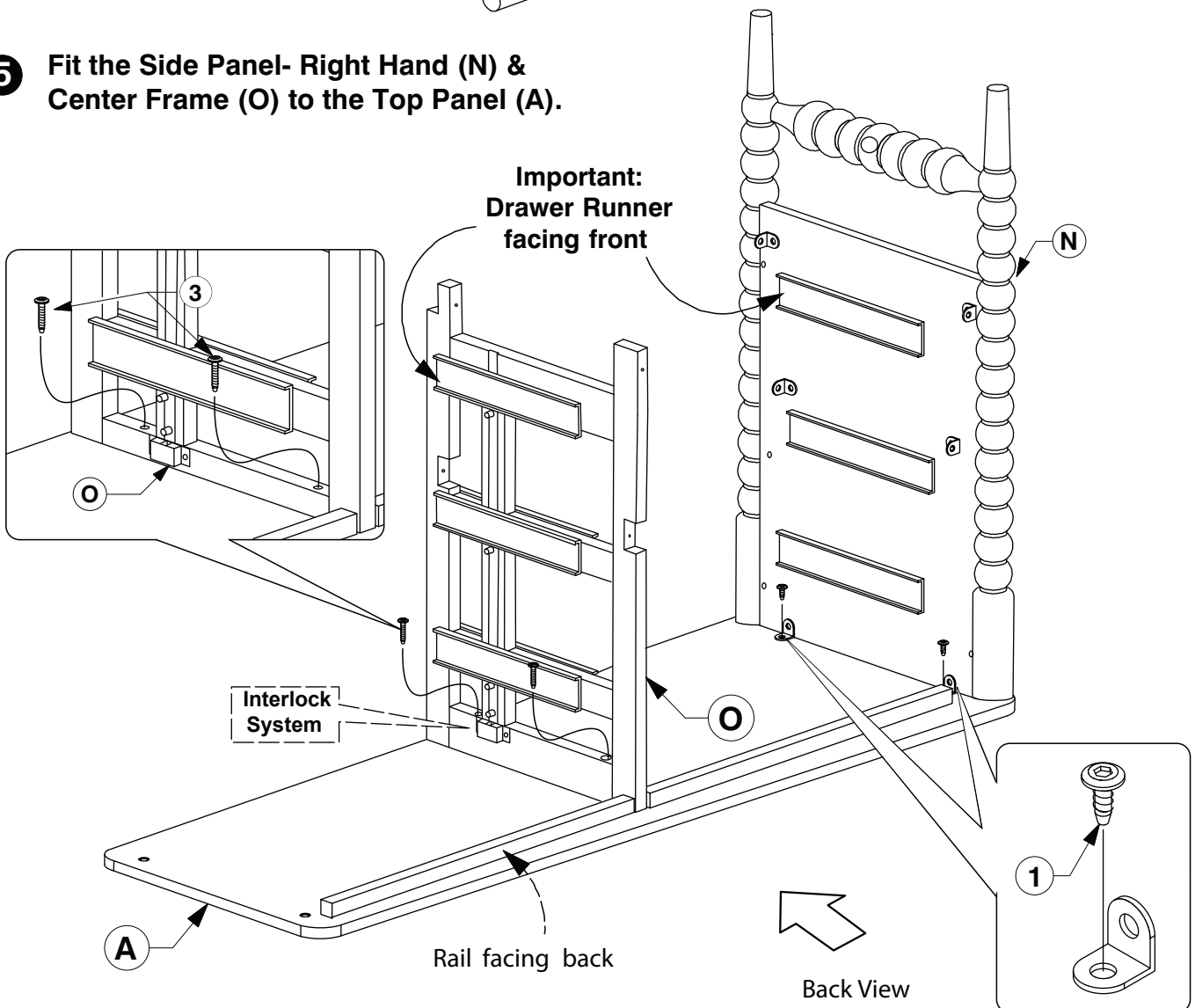
## Assembly Instructions

WI-1024

### 4 Fit the 'L' Bracket to the Side Panel (M & N).



### 5 Fit the Side Panel- Right Hand (N) & Center Frame (O) to the Top Panel (A).

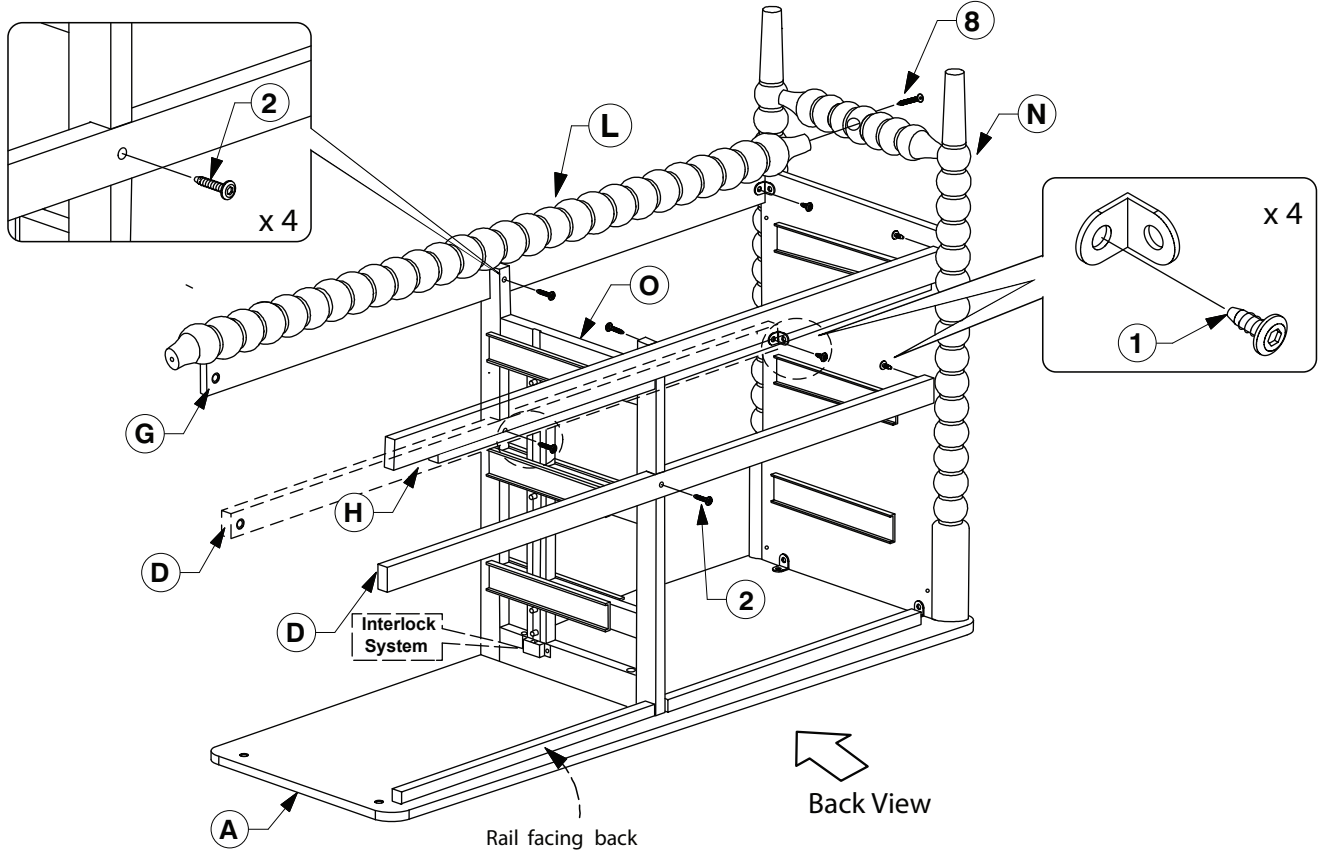


# 9025 6 Drawer Dresser

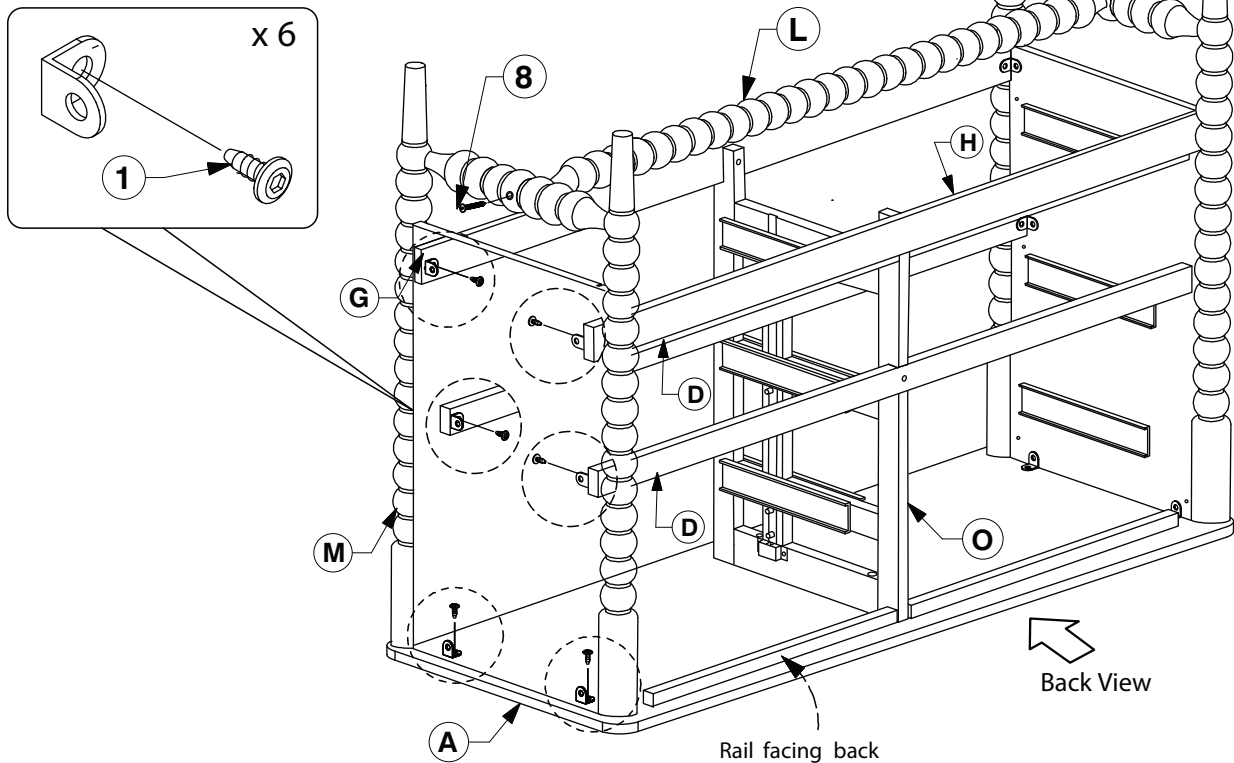
## Assembly Instructions

WI-1024

- 6** Fit the Upper Support Bar (D) and Bottom Front & Rear Support Bars (G & H) to the Side Panel-Right Hand (N) & Center Frame (O) as shown. Use JCBCW (8) to fit the Lower Support Bar (L) to the Side Panel (N).



- 7** Fit the other side of Side Panel- Left Hand (M) to the Top Panel (A) & Support Bar Upper & Bottom (D & G & H) and Lower Support Bar (L).

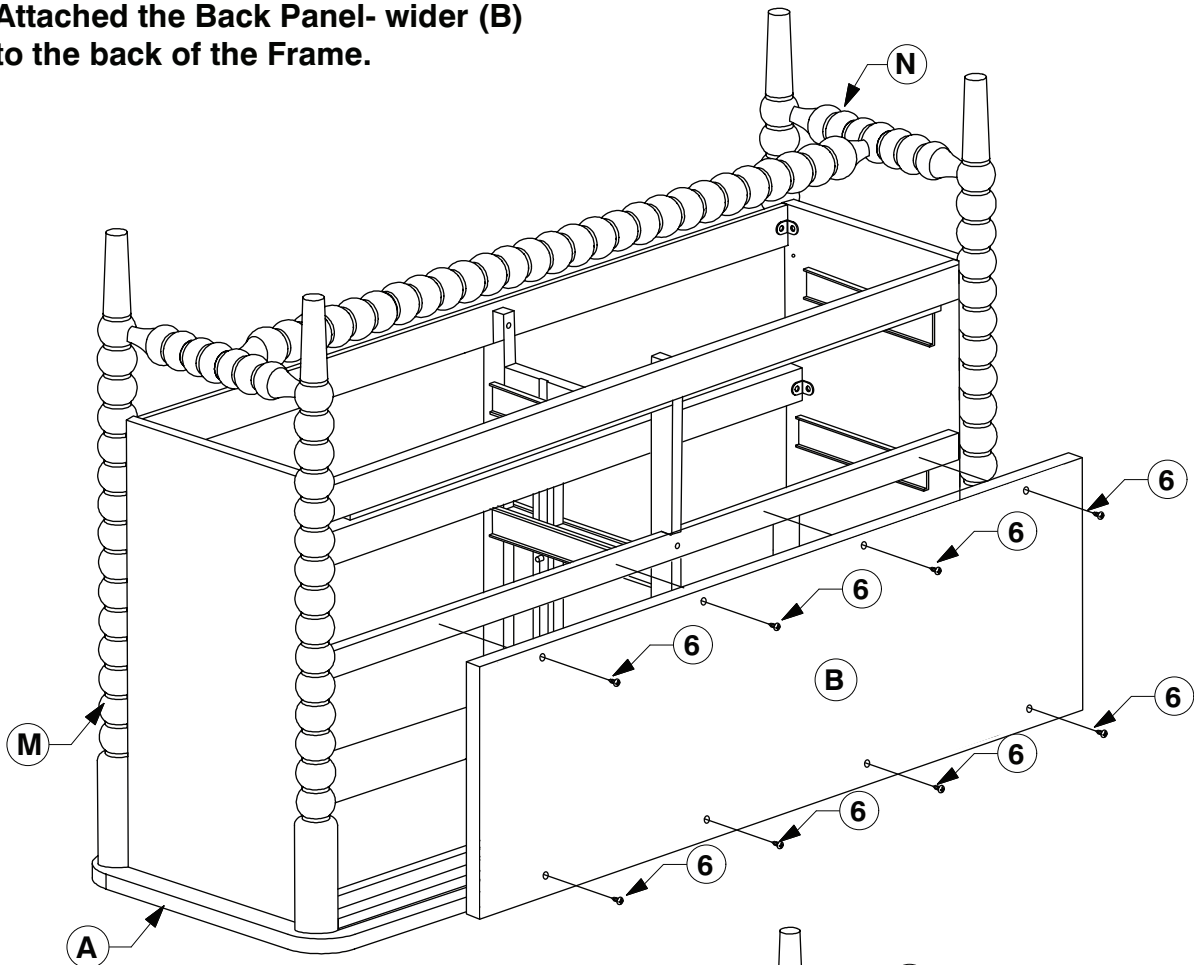


# 9025 6 Drawer Dresser

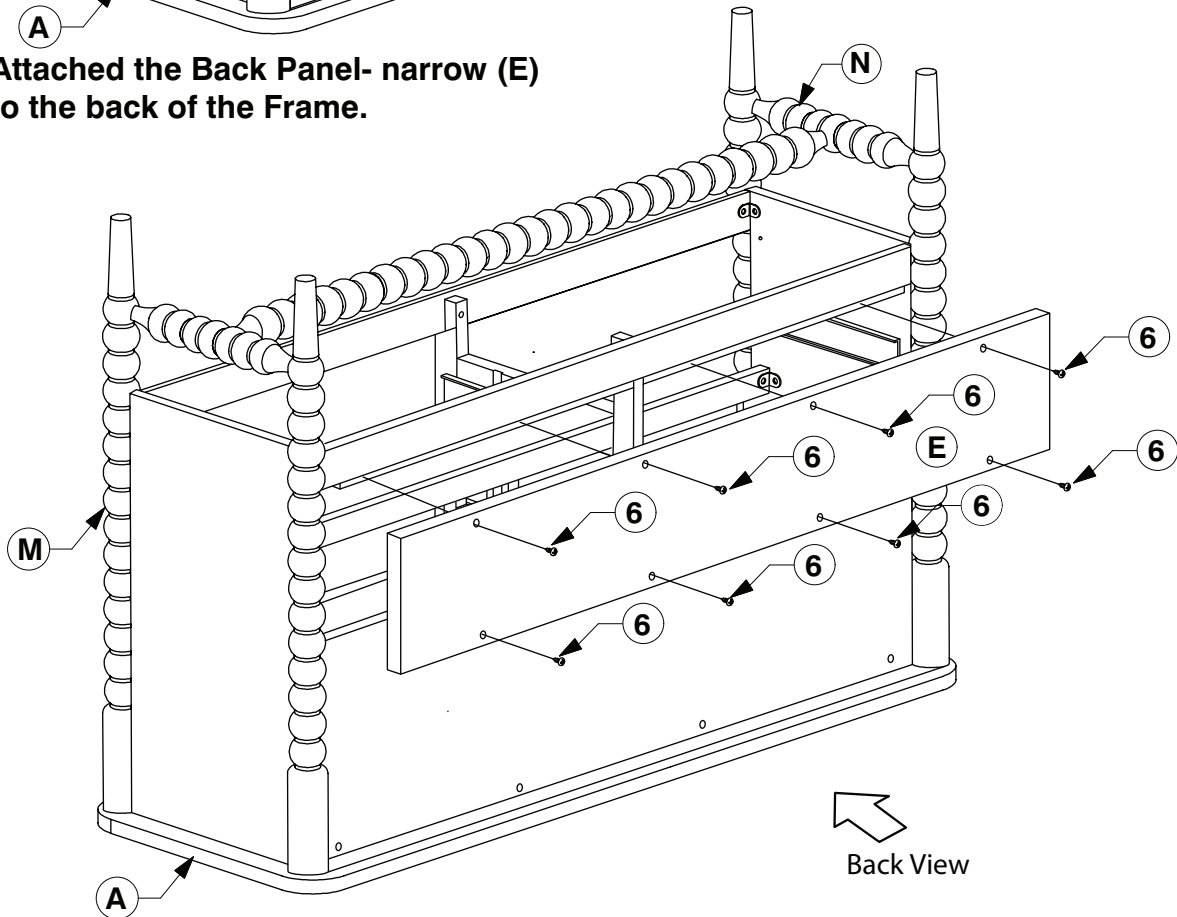
## Assembly Instructions

WI-1024

- 8** Attached the Back Panel- wider (B) to the back of the Frame.



- 9** Attached the Back Panel- narrow (E) to the back of the Frame.



# 9025 6 Drawer Dresser

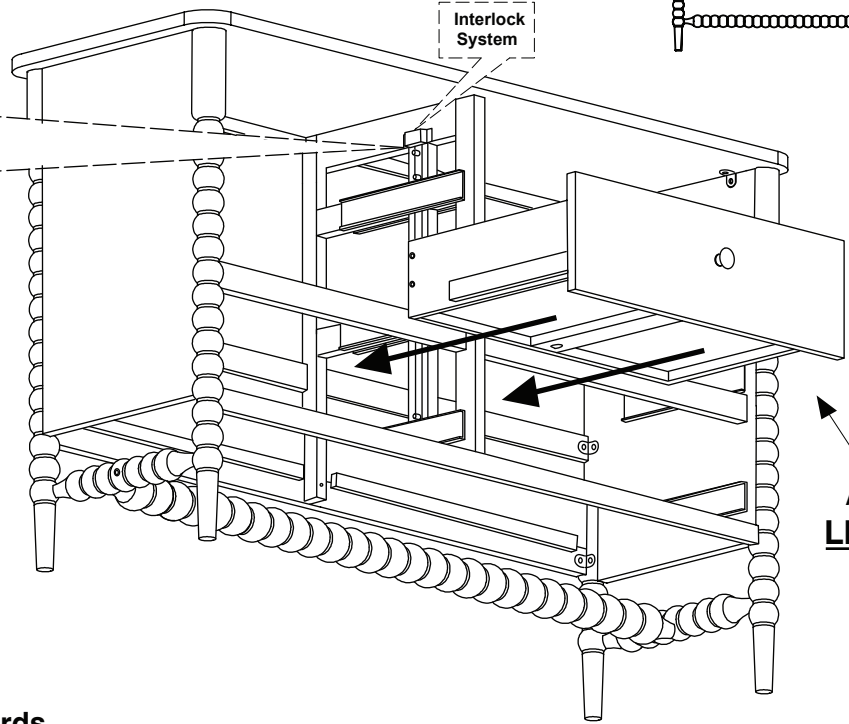
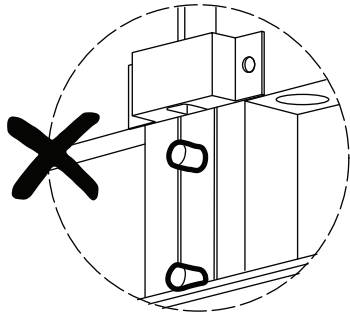
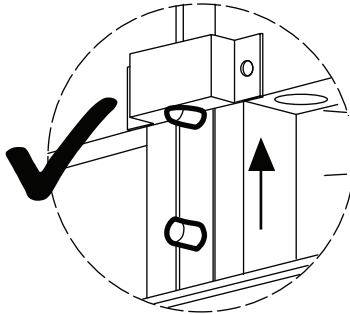
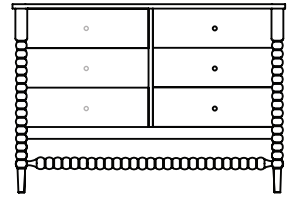
## Assembly Instructions

WI-1024

### 10 Install the Drawers.

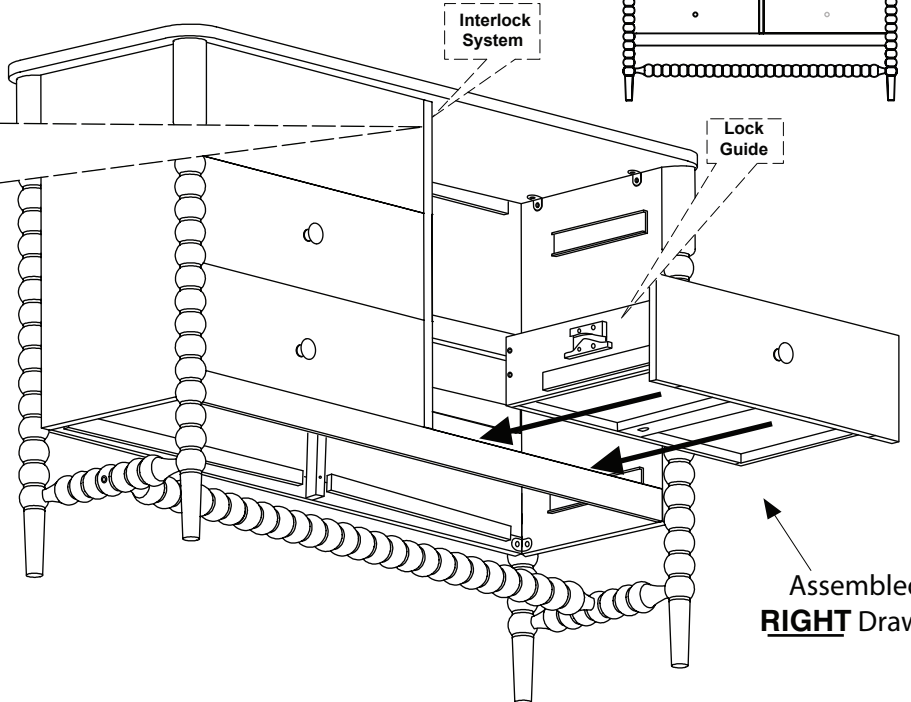
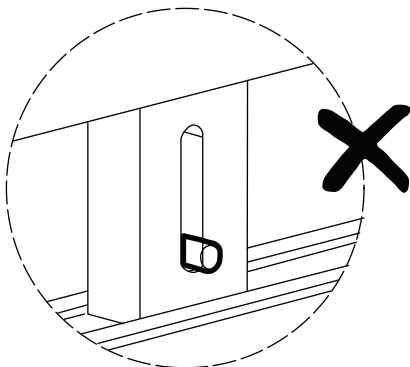
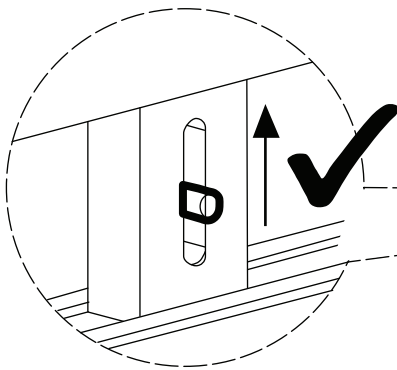
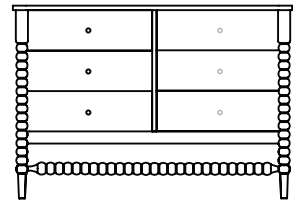
- Push the Interlock bar **upwards** before inserting the drawers.

LEFT



- Push the Interlock bar **upwards** before inserting the drawers.

RIGHT



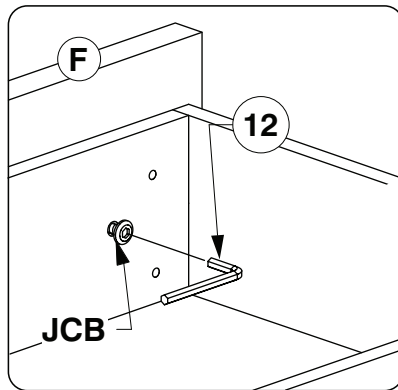
# 9025 6 Drawer Dresser

## Assembly Instructions

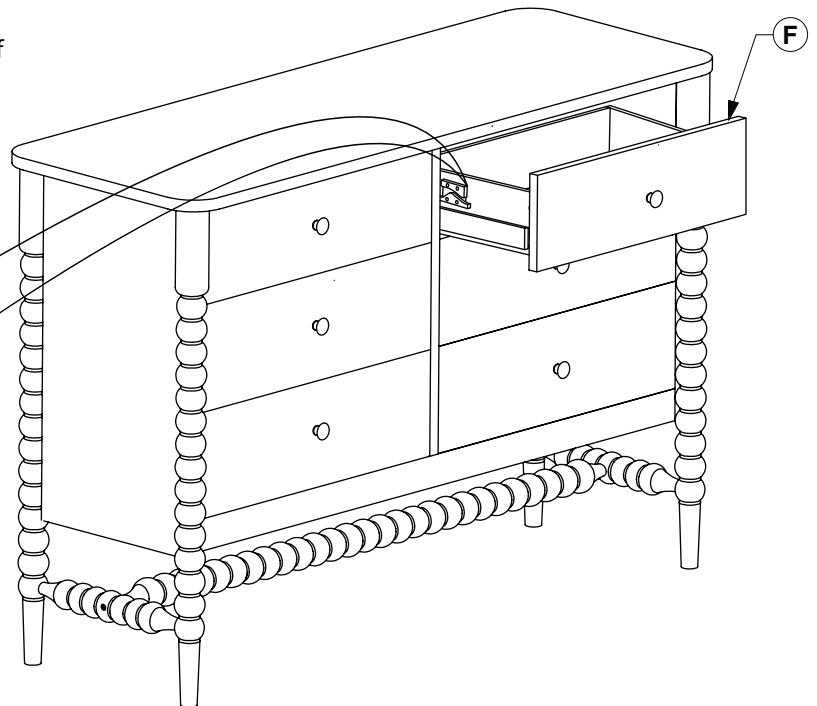
WI-1024

### 11 Adjust the Drawer Face (F).

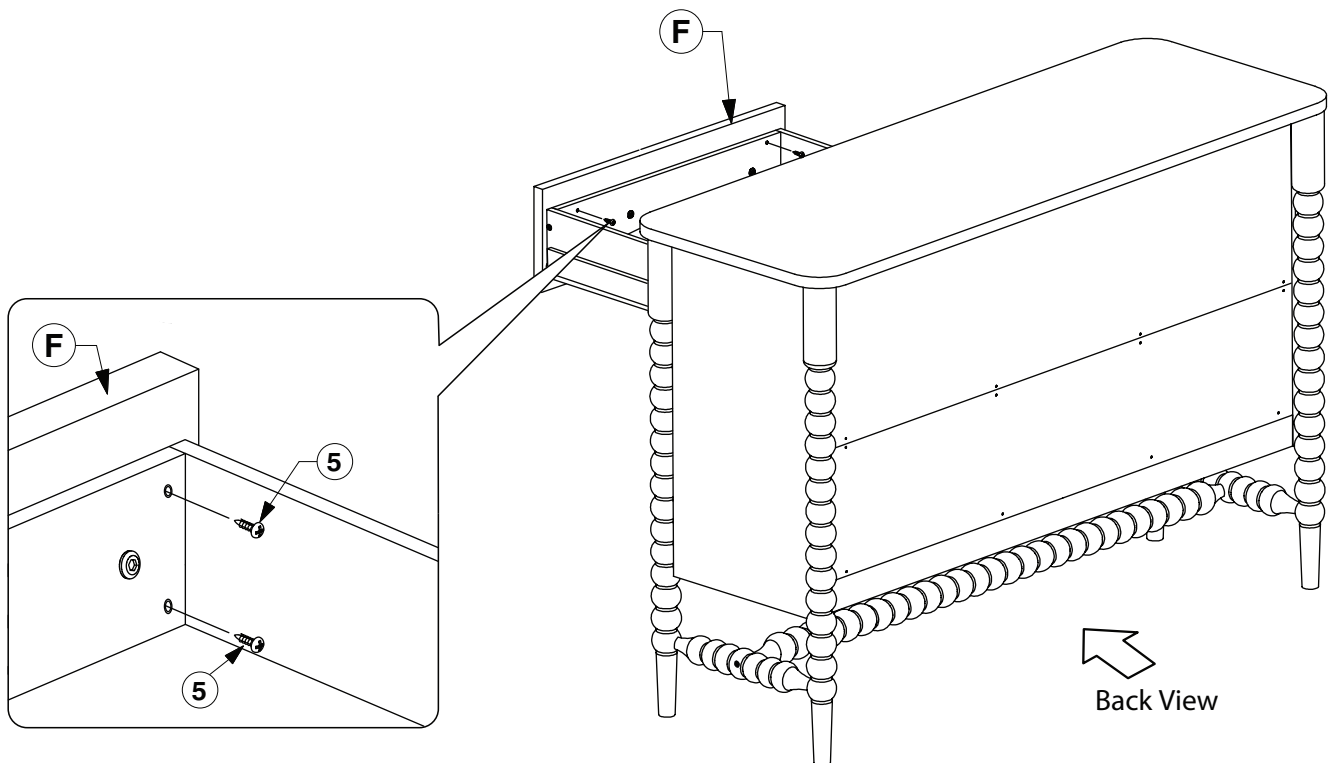
\* NOTE: Before fitting the Wood Screws .  
Losen the JCBs on the Drawer Face if  
the face needs alignment.



\* NOTE: Only one Drawer can be open  
at a time.



### 12 After the Drawer Faces (F) are aligned, secure with wood screws.



\* NOTE: Only one Drawer can be open  
at a time.

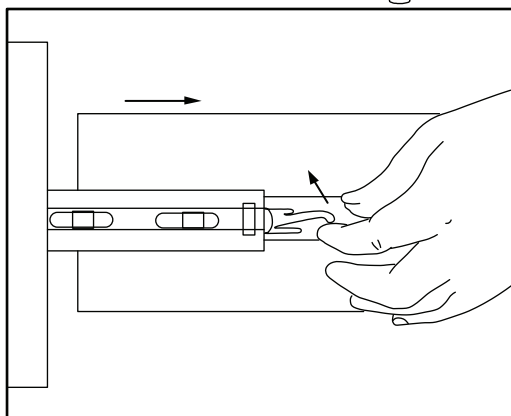
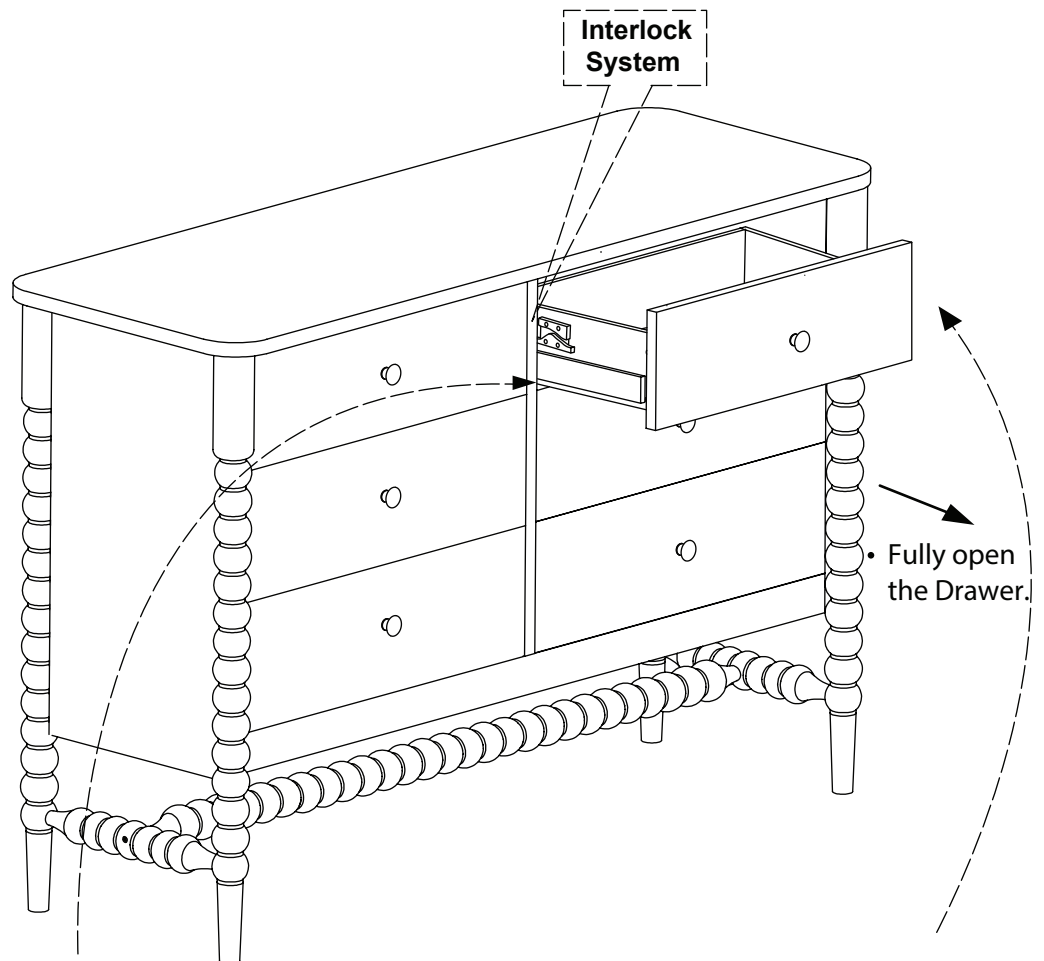
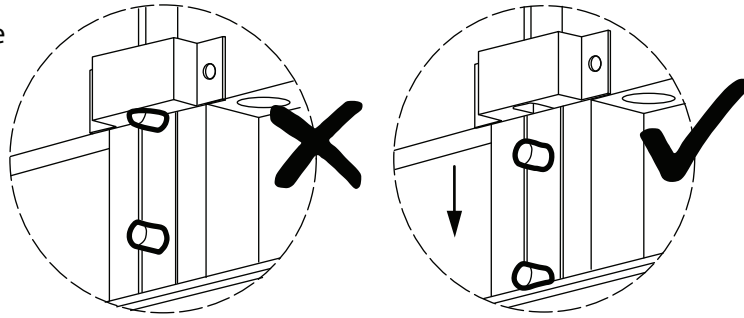
# 9025 6 Drawer Dresser

## Assembly Instructions

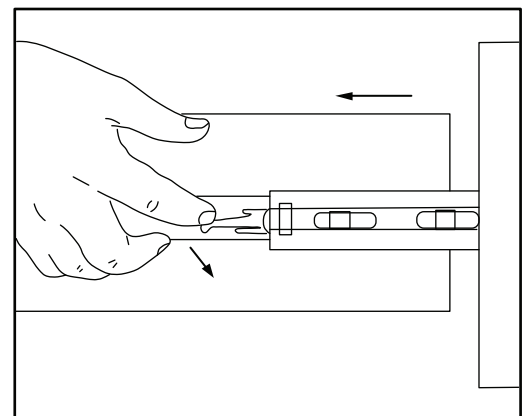
WI-1024

### 13 Remove the Drawers.

- After removing the top drawer, push the interlock bar **down**. Then remove the lower drawers.



- Lift the **LEFT** side clip up.

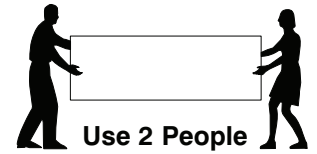
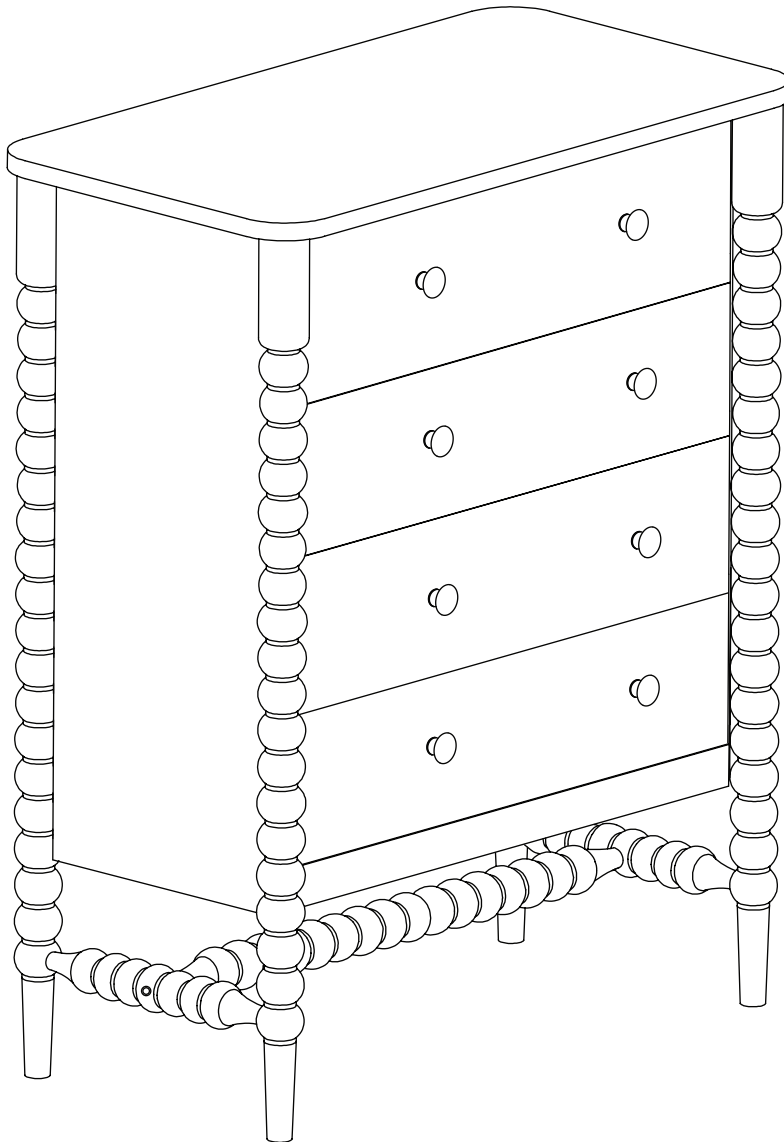


- Push the **RIGHT** side clip down.

# 9025 4 Drawer Chest

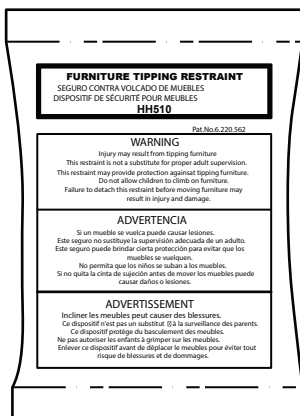
## Assembly Instructions

WI-1025



**Note:** Do not assemble using power tools. This can cause the bolts to be overtightened

### WARNING



Anti Tipping Kit  
Anti Tipping Kit x 1



Children have died from furniture tipover.

To reduce the risk of furniture tipover:

- ALWAYS install anti-tip device provided.
- NEVER put a TV on this product.
- NEVER allow children to stand, climb, or hang on any drawers, doors or shelves.
- NEVER open more than one drawer at a time.
- DO NOT defeat or remove the drawer interlock system; it is an important stability and safety system.
- Place heaviest items in the lowest drawer.

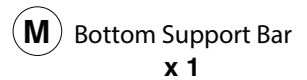
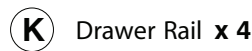
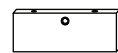
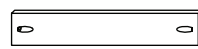
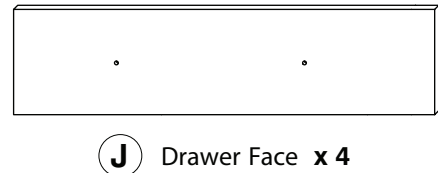
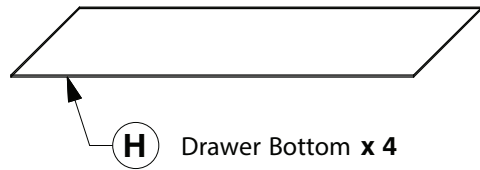
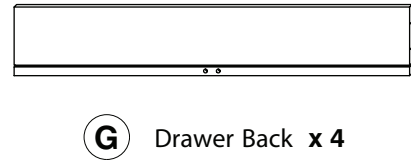
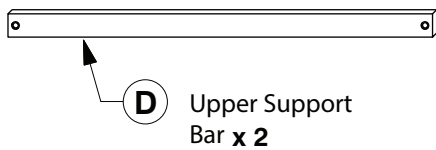
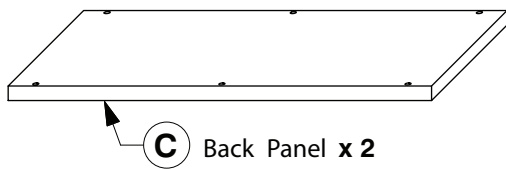
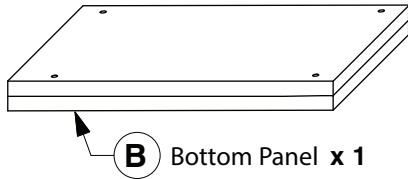
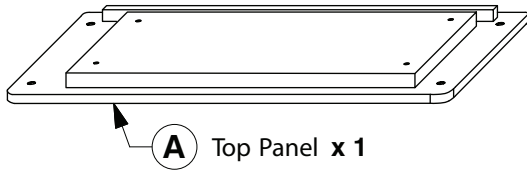
# 9025 4 Drawer Chest

## Assembly Instructions

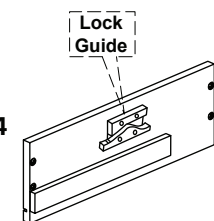
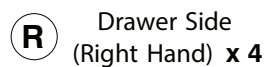
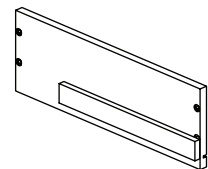
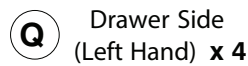
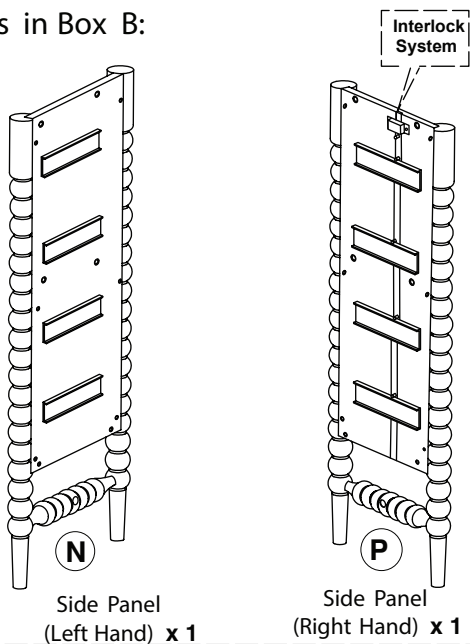
WI-1025

### 1 Parts List

Parts in Box A:



Parts in Box B:

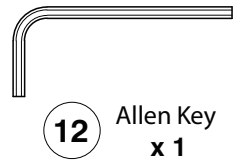
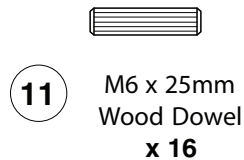
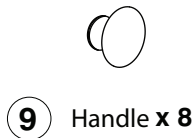
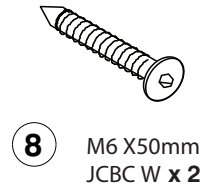
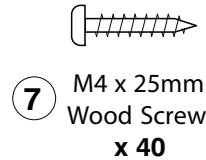
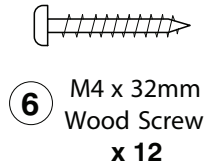
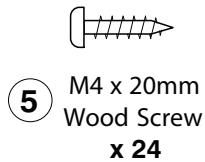
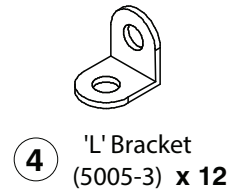
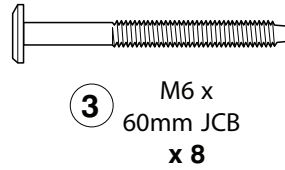
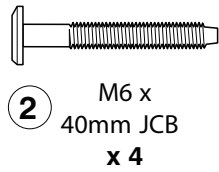
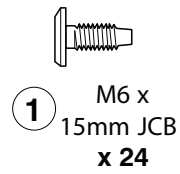


# 9025 4 Drawer Chest

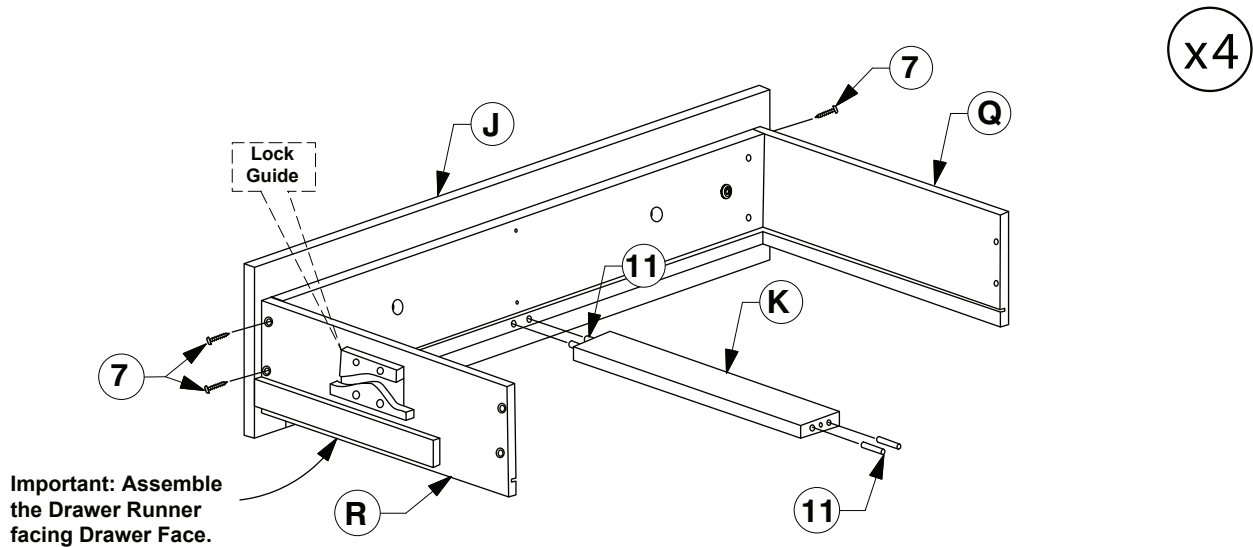
## Assembly Instructions

WI-1025

### 2 Hardware List



### 3 Assemble the Drawer Sides (Q & R) & Drawer Rail (K) to the Drawer Face (J).



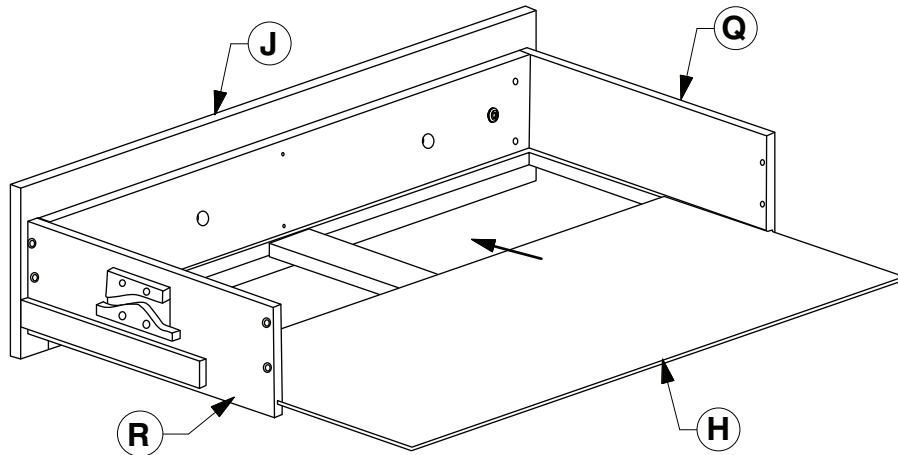
# 9025 4 Drawer Chest

## Assembly Instructions

WI-1025

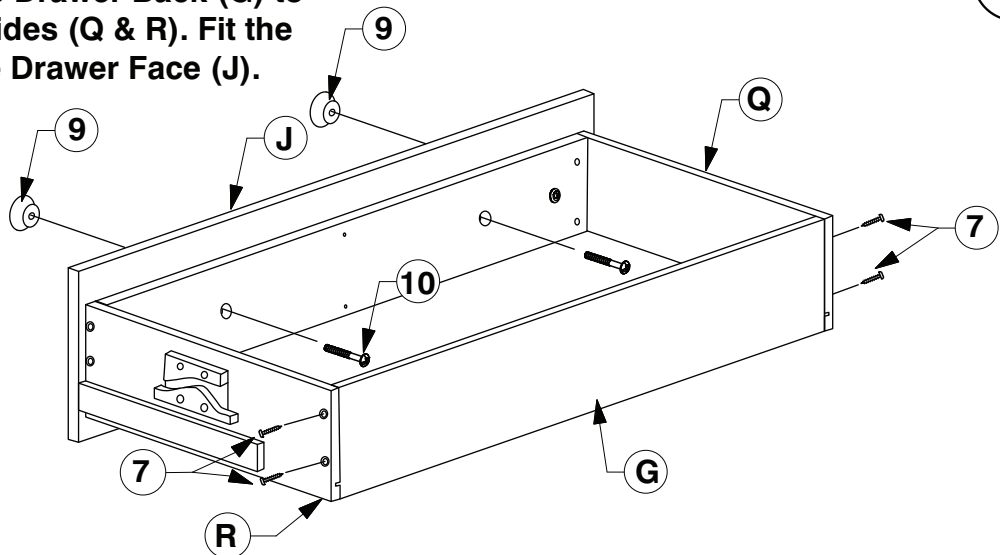
- 4** Slide the Drawer Bottom (H) into the groove on the Drawer Sides (Q & R).

x4



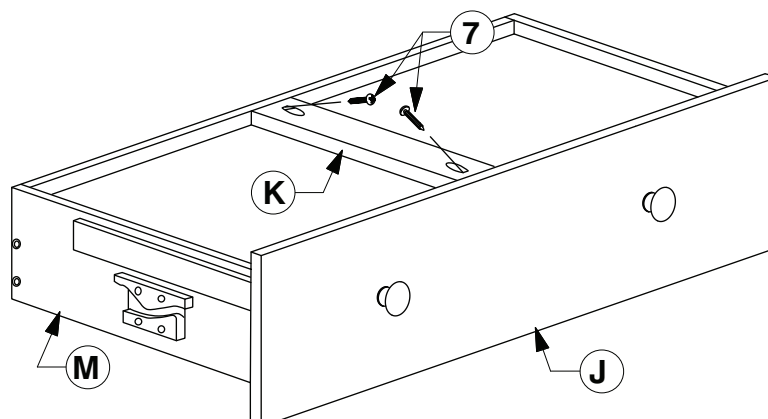
- 5** Assemble the Drawer Back (G) to the Drawer Sides (Q & R). Fit the Handle to the Drawer Face (J).

x4



- 6** Turn the Drawer over to fit angled 25mm Wood screws (7) to the Drawer Rail (K).

x4

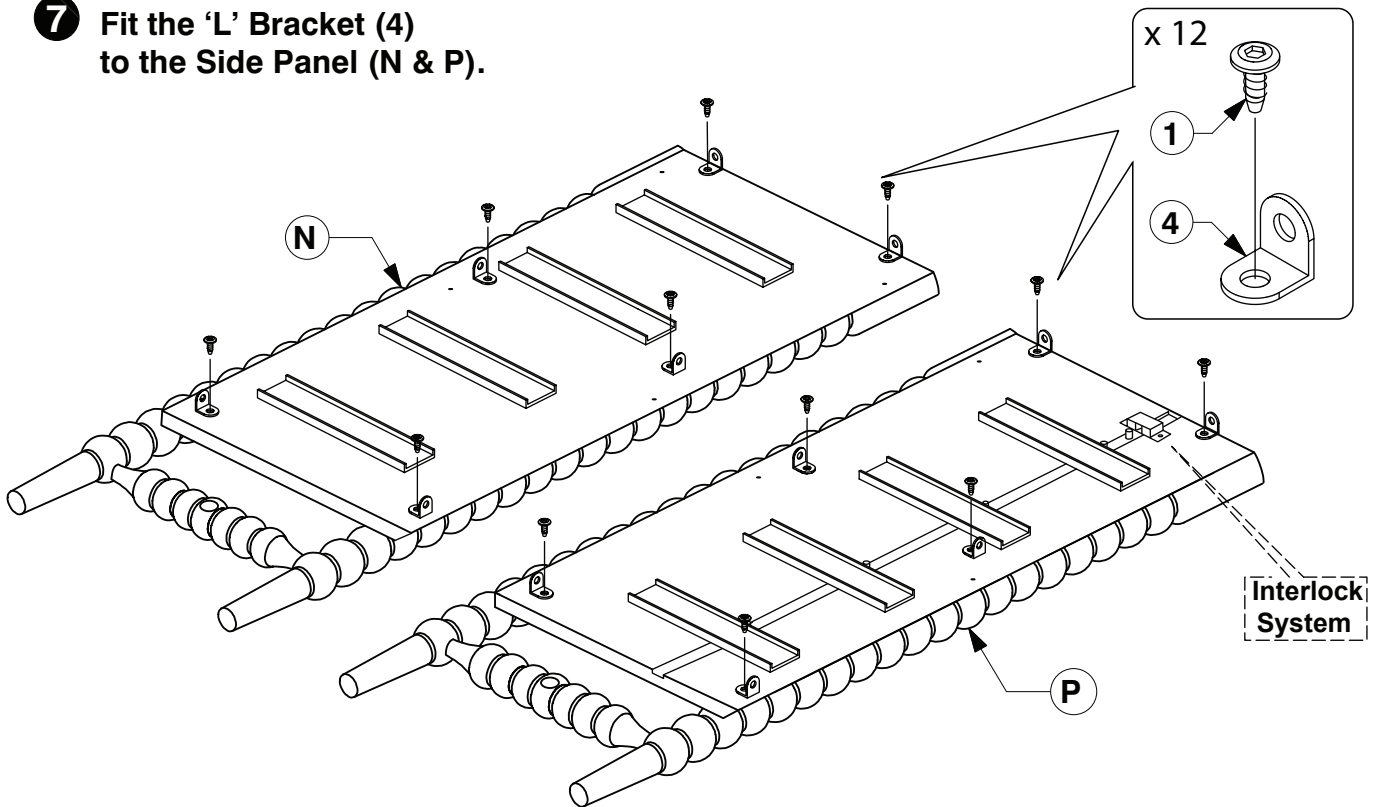


# 9025 4 Drawer Chest

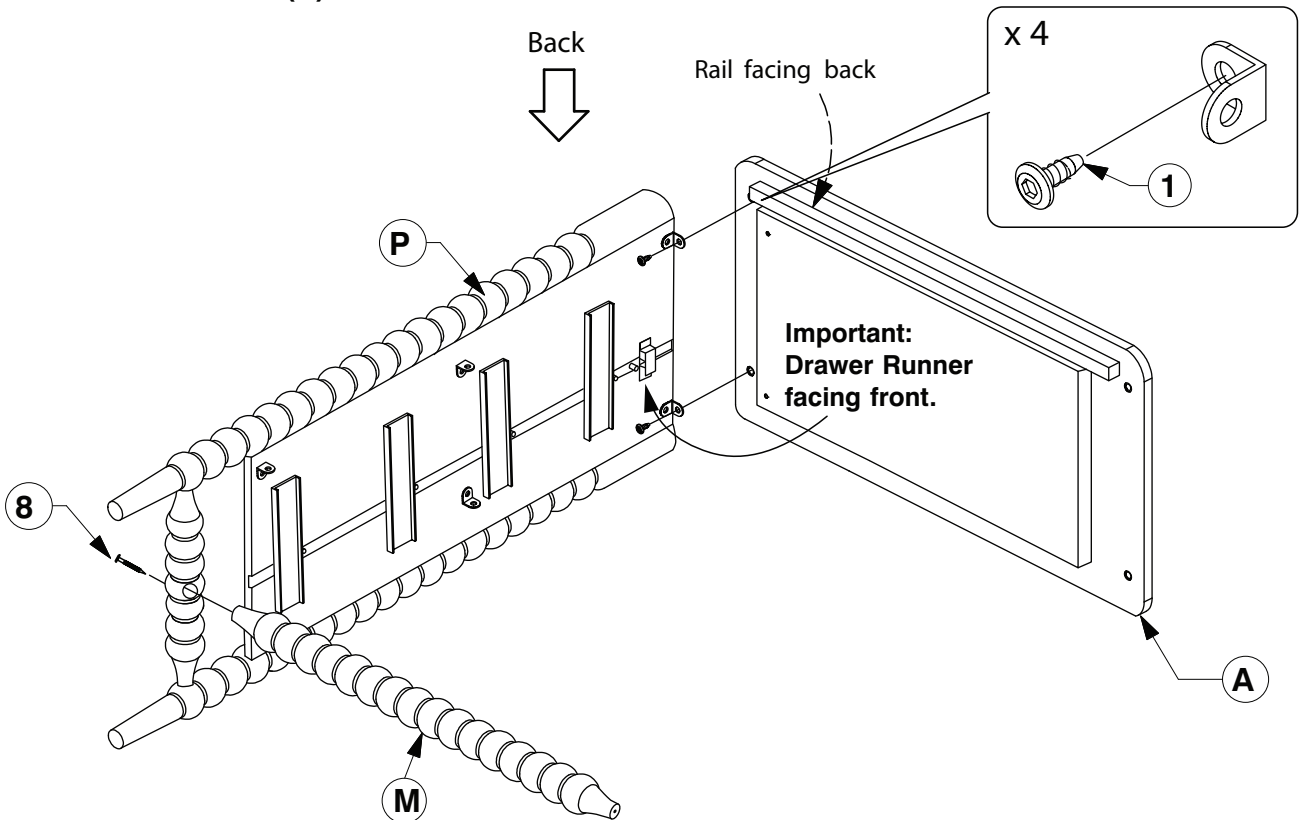
## Assembly Instructions

WI-1025

- 7** Fit the 'L' Bracket (4) to the Side Panel (N & P).



- 8** Assembled the Top Panel (A) and Bottom Support Bar (M) to the Side Panel (P)

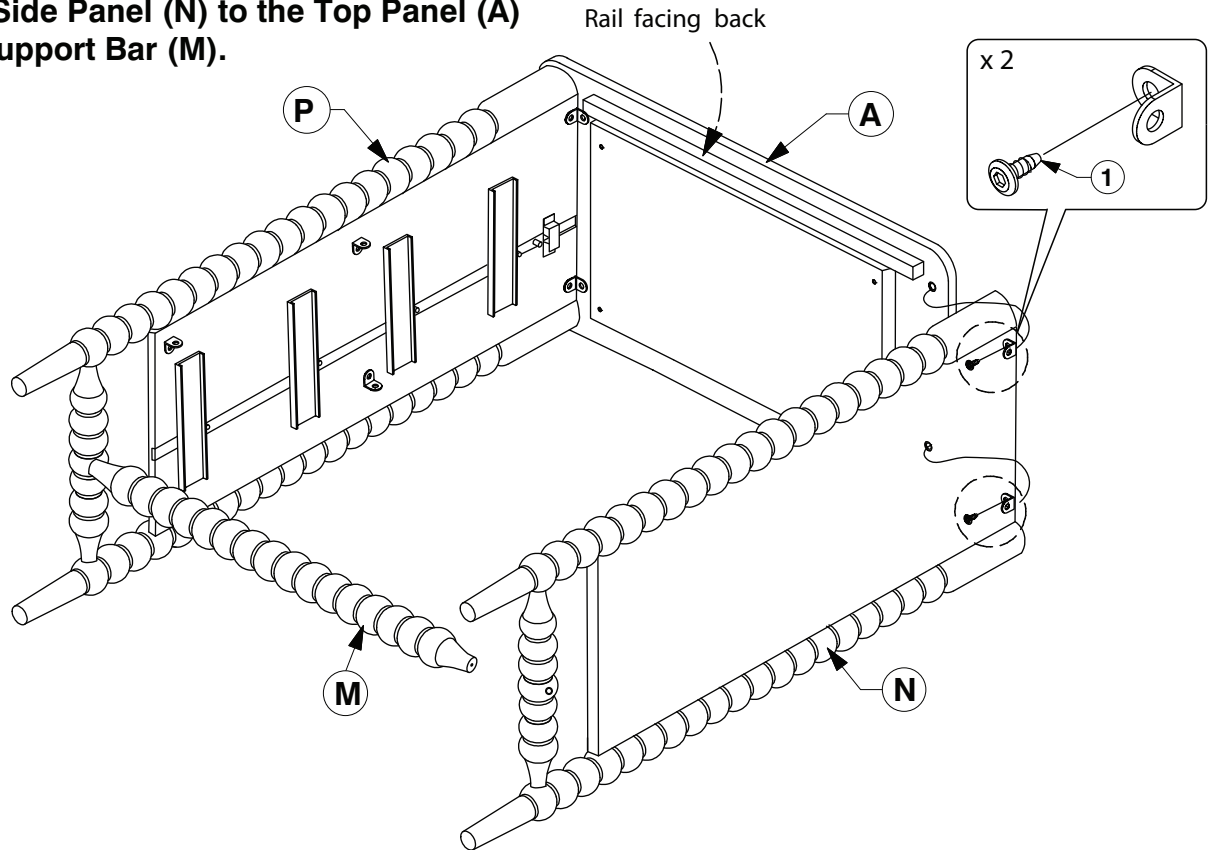


# 9025 4 Drawer Chest

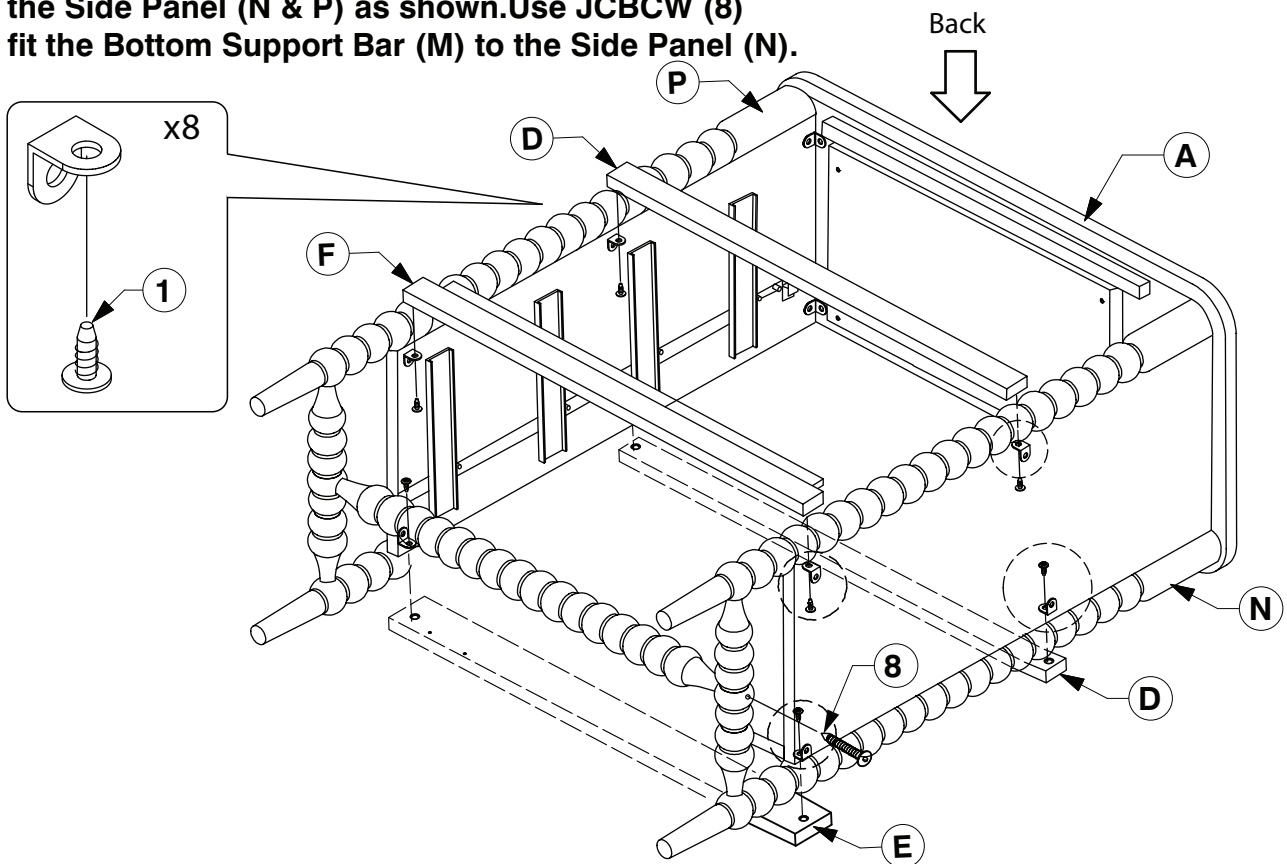
## Assembly Instructions

WI-1025

- 9** Attached the Side Panel (N) to the Top Panel (A) and Bottom Support Bar (M).



- 10** Fit the Support Bar Upper & Bottom (D & E & F) to the Side Panel (N & P) as shown. Use JCBCW (8) to fit the Bottom Support Bar (M) to the Side Panel (N).

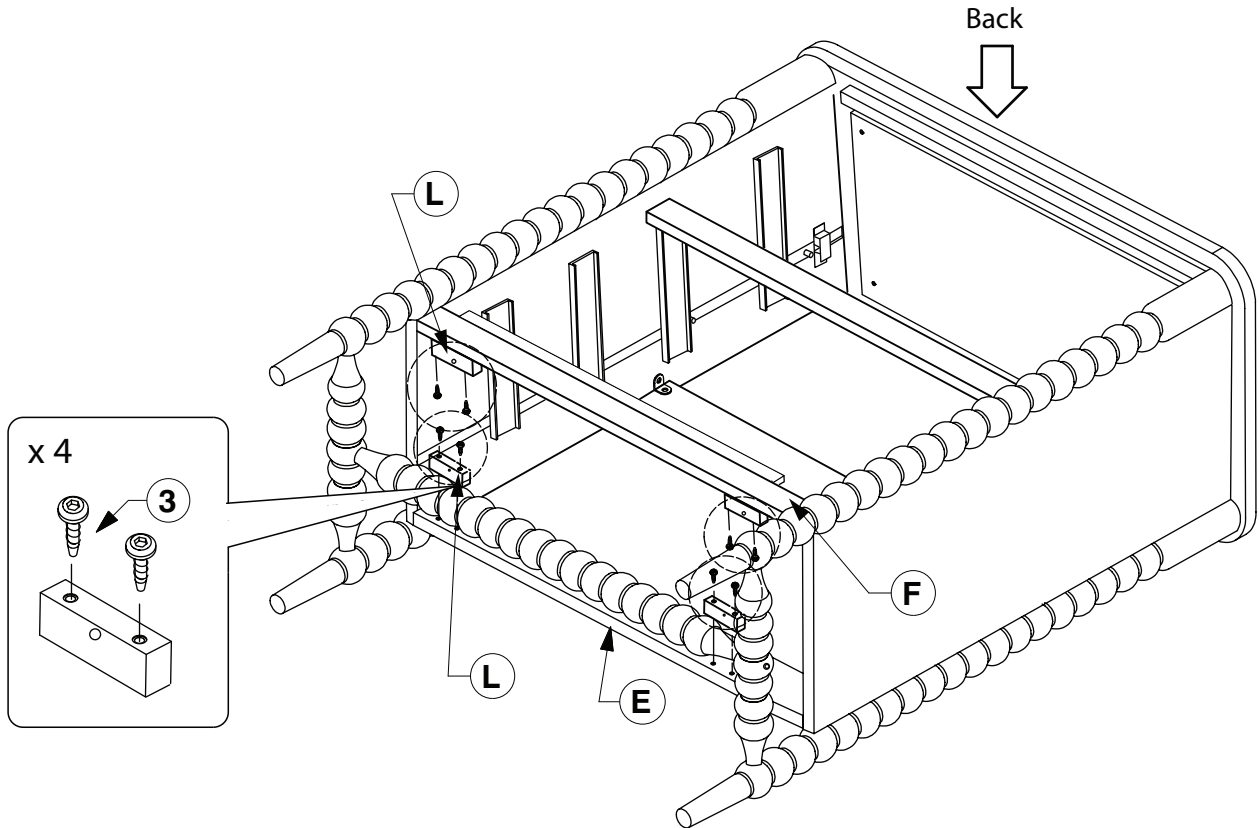


# 9025 4 Drawer Chest

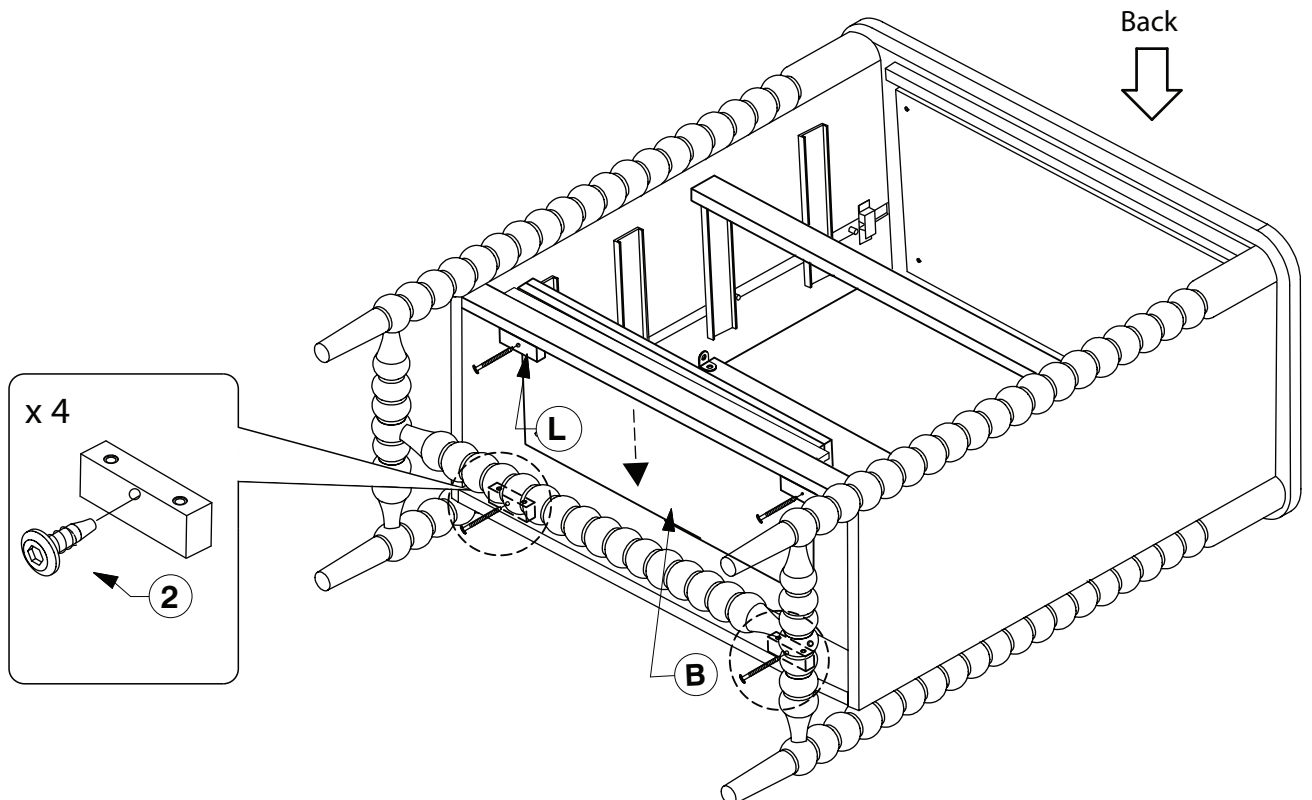
## Assembly Instructions

WI-1025

- 11** Assembled the Bottom Support (L) to the Bottom Front & Rear Support Bar (E & F) as shown.



- 12** Bolt the Bottom Support (L) to the Bottom Panel (B) as shown.

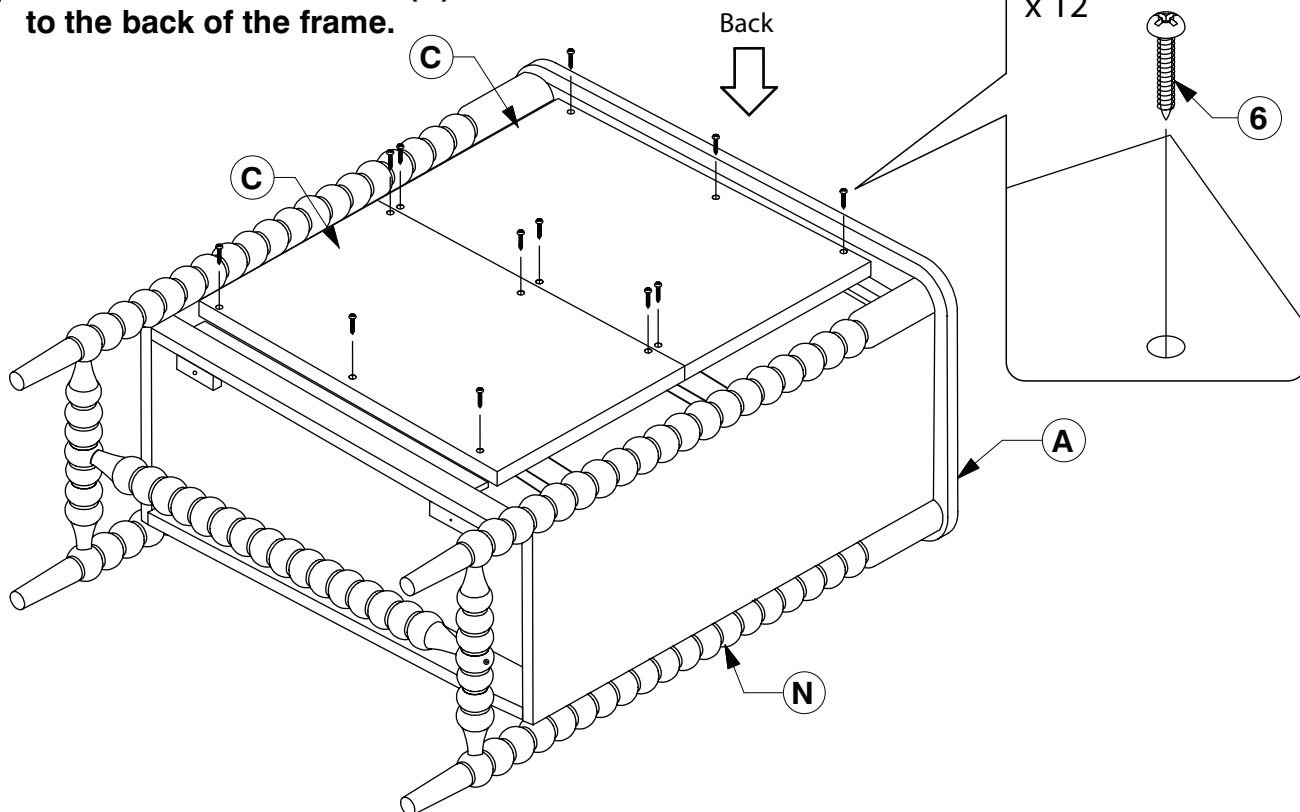


# 9025 4 Drawer Chest

## Assembly Instructions

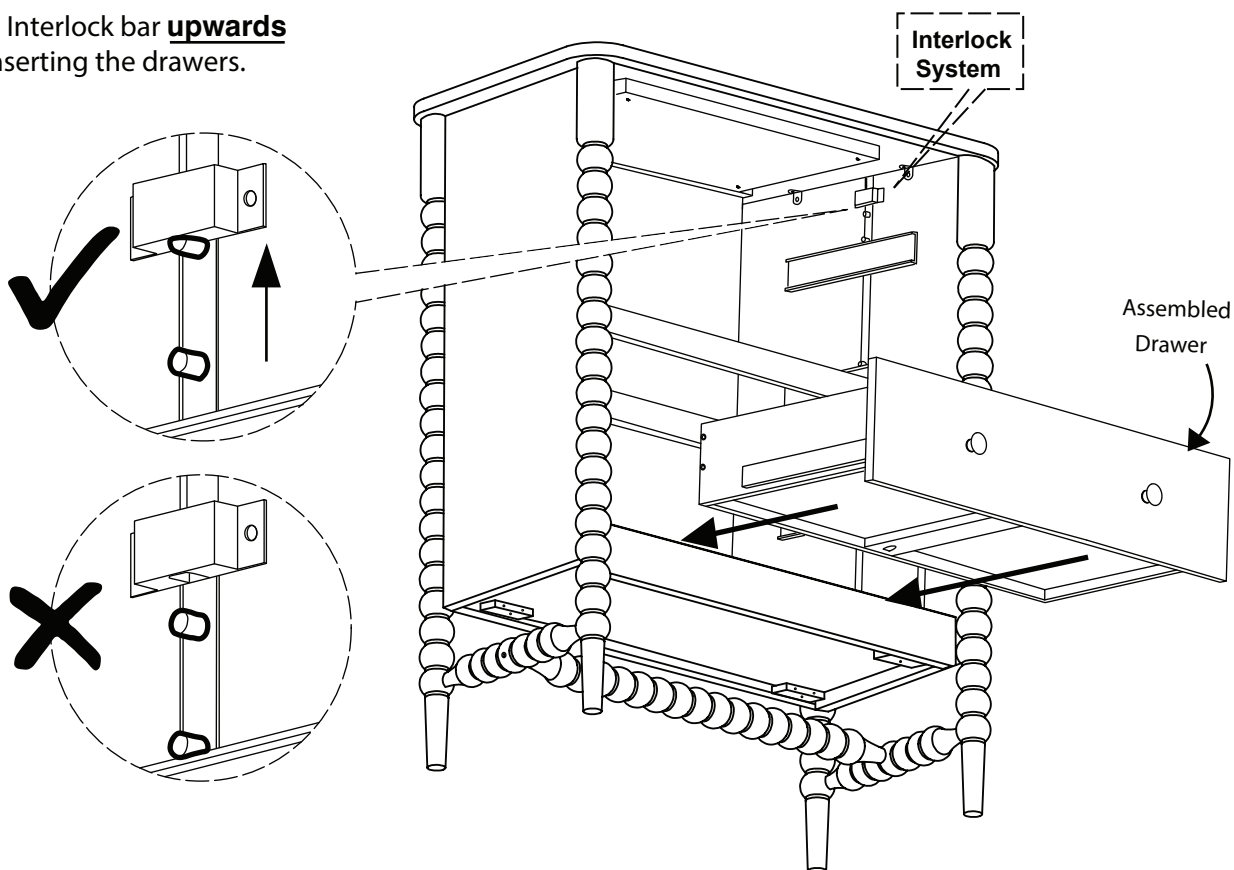
WI-1025

### 13 Attached the Back Panel (C) to the back of the frame.



### 14 Install the Drawer.

- Push the Interlock bar upwards before inserting the drawers.



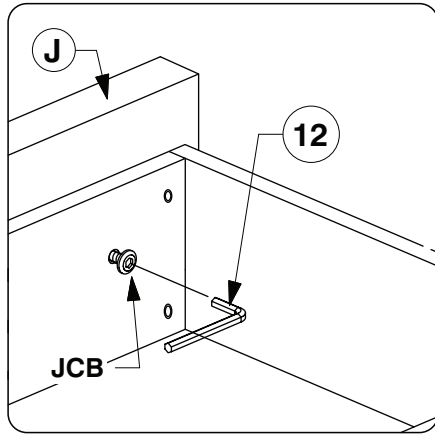
# 9025 4 Drawer Chest

## Assembly Instructions

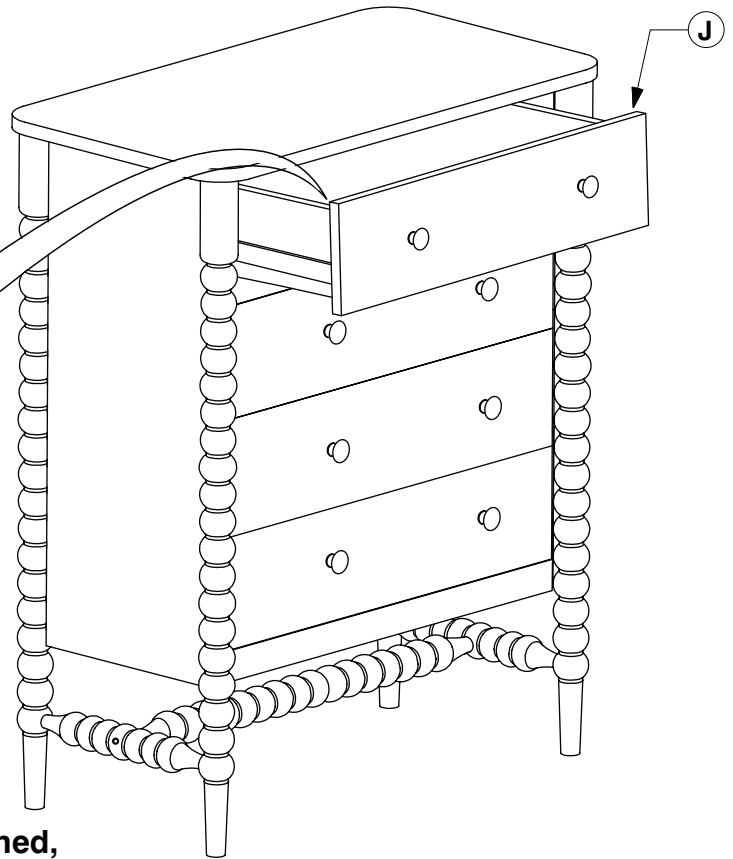
WI-1025

### 15 Fit and adjust the Drawer Face (J).

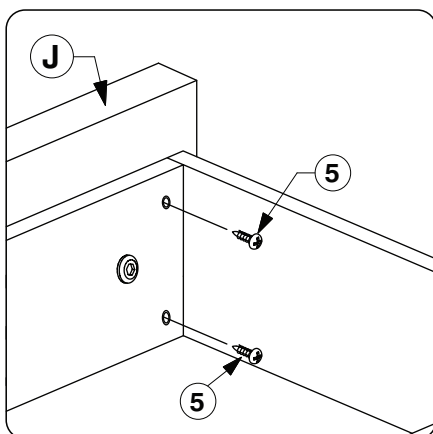
\* NOTE: Before fitting the Wood Screws .  
Losen the JCBs on the Drawer Face if  
the face needs alignment .



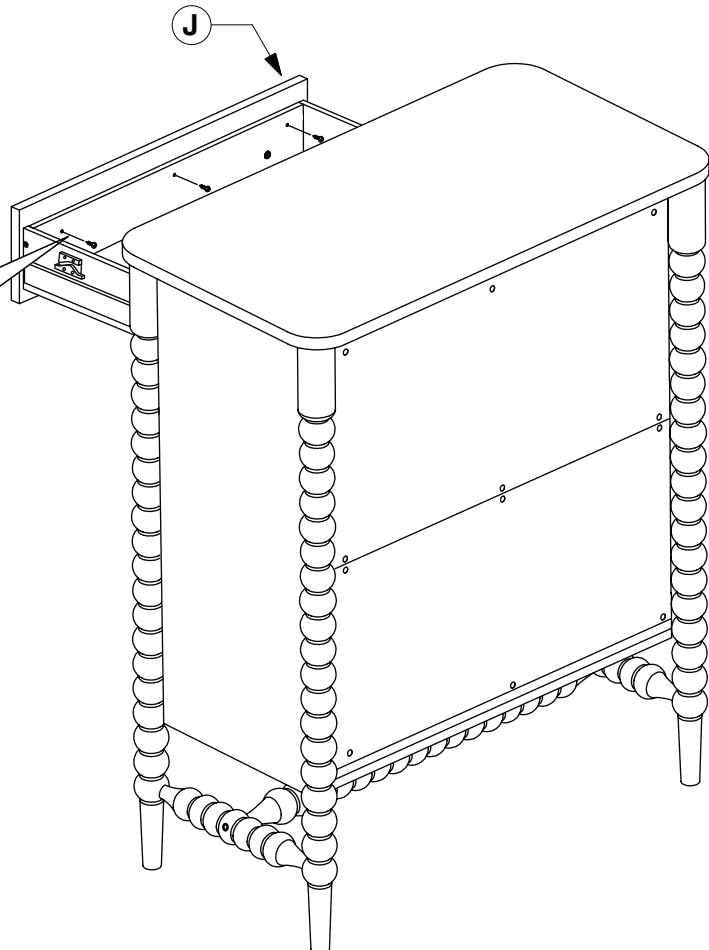
\* NOTE: Only one Drawer can be open  
at a time.



### 16 After the Drawer Faces (J) are aligned, secure with wood screws.



\* NOTE: Only one Drawer can be open  
at a time.



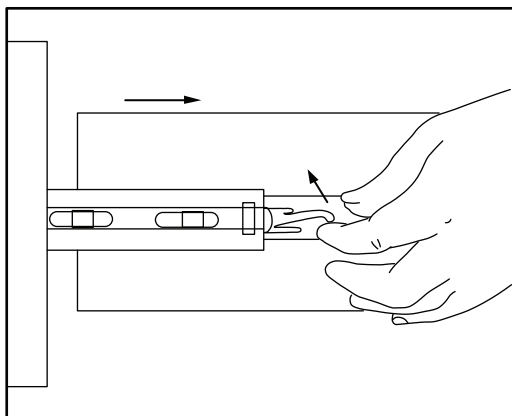
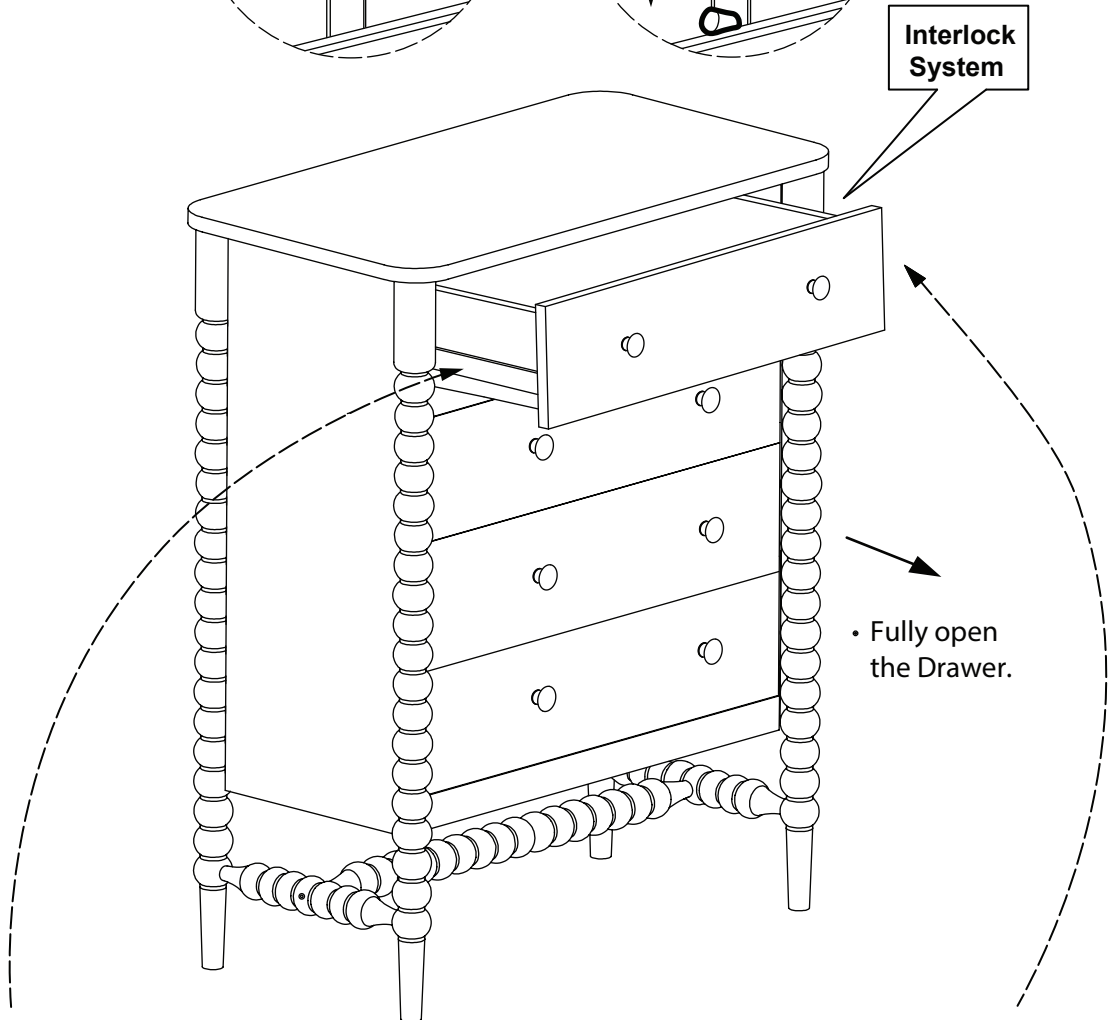
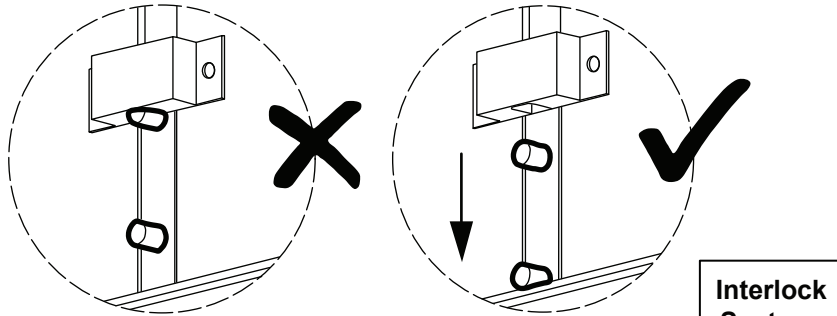
# 9025 4 Drawer Chest

## Assembly Instructions

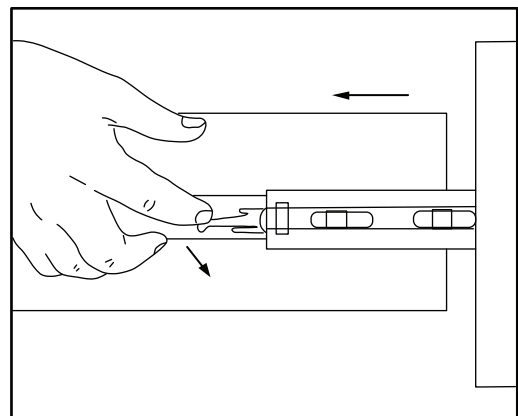
WI-1025

### 17 Remove the Drawers.

- After removing the top drawer, push the interlock bar **down**. Then remove the lower drawers.



- Lift the **LEFT** side clip up.

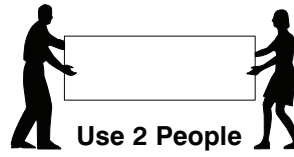
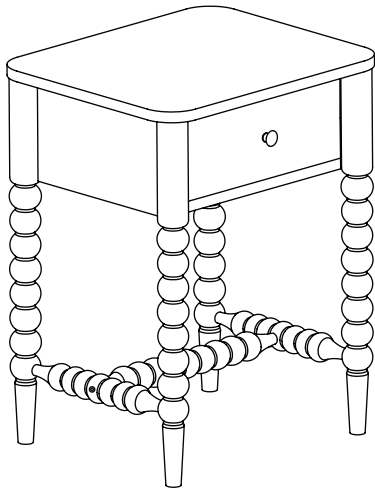


- Push the **RIGHT** side clip down.

# 9025 1 Drawer Night Stand

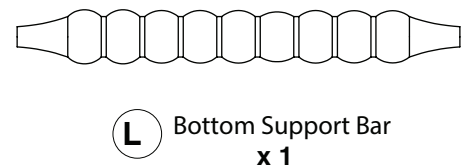
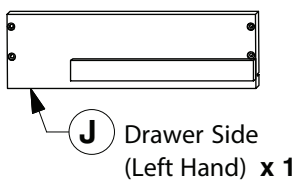
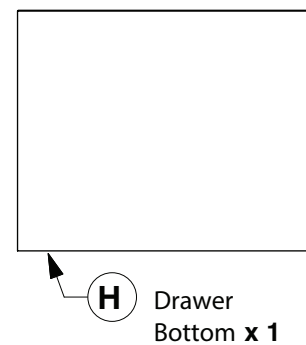
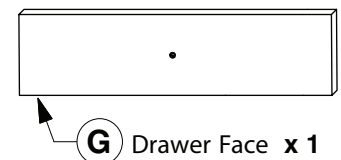
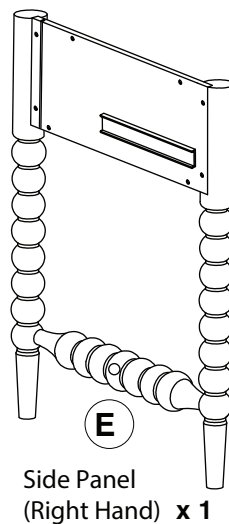
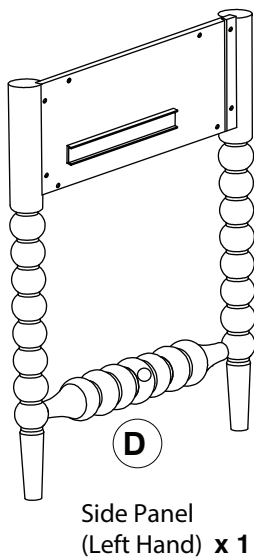
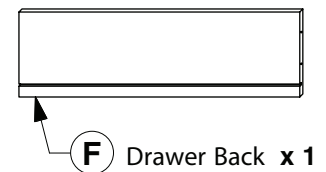
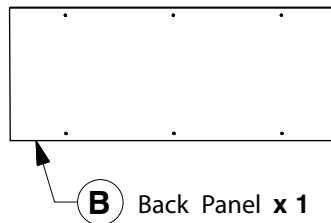
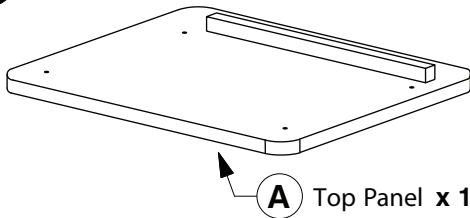
## Assembly Instructions

WI-1025



**Note:** Do not assemble using power tools. This can cause the bolts to be overtightened

### 1 Parts List

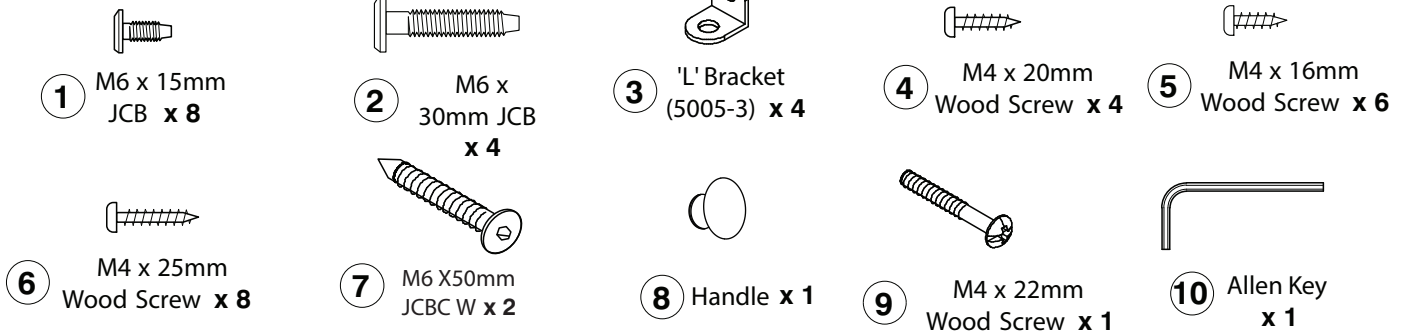


# 9025 1 Drawer Night Stand

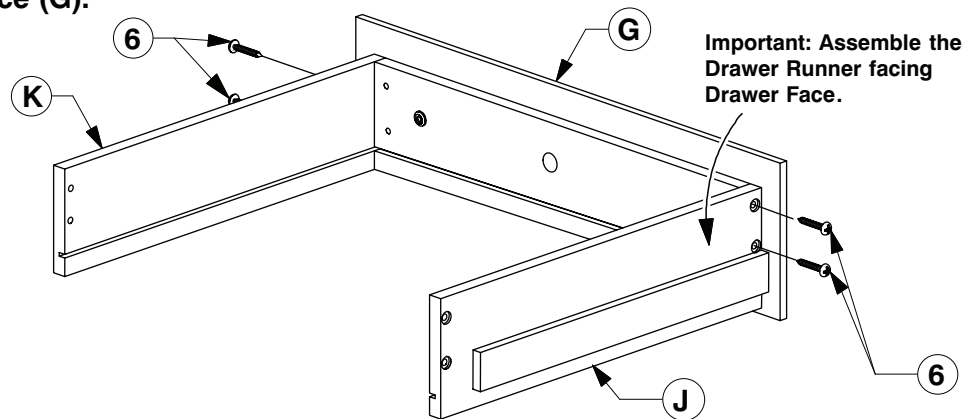
## Assembly Instructions

WI-1025

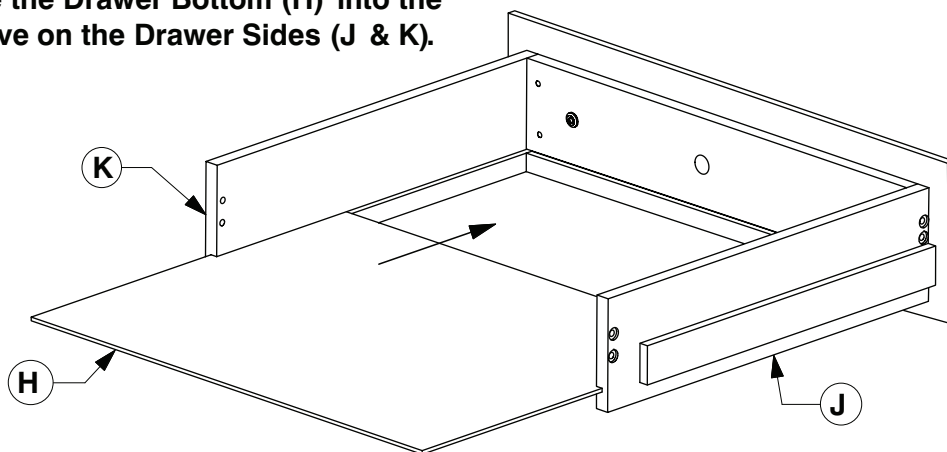
### 2 Hardware List



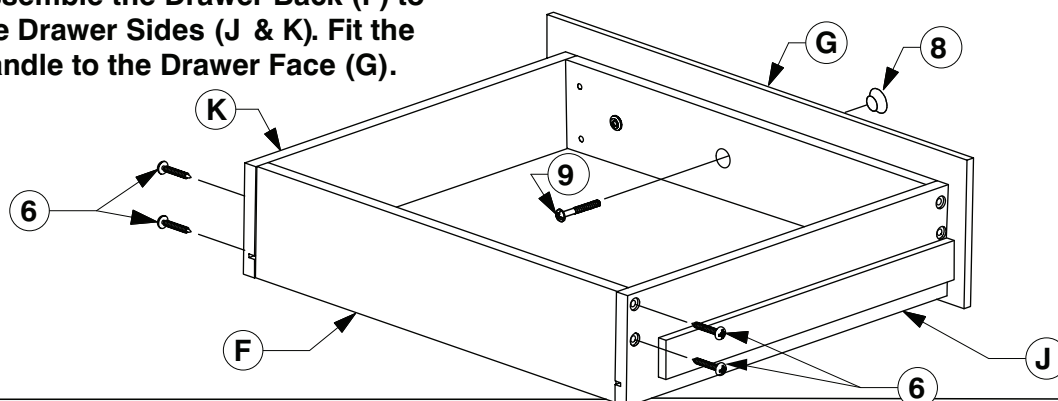
### 3 Assemble the Drawer Sides (J & K) to the Drawer Face (G).



### 4 Slide the Drawer Bottom (H) into the groove on the Drawer Sides (J & K).



### 5 Assemble the Drawer Back (F) to the Drawer Sides (J & K). Fit the Handle to the Drawer Face (G).

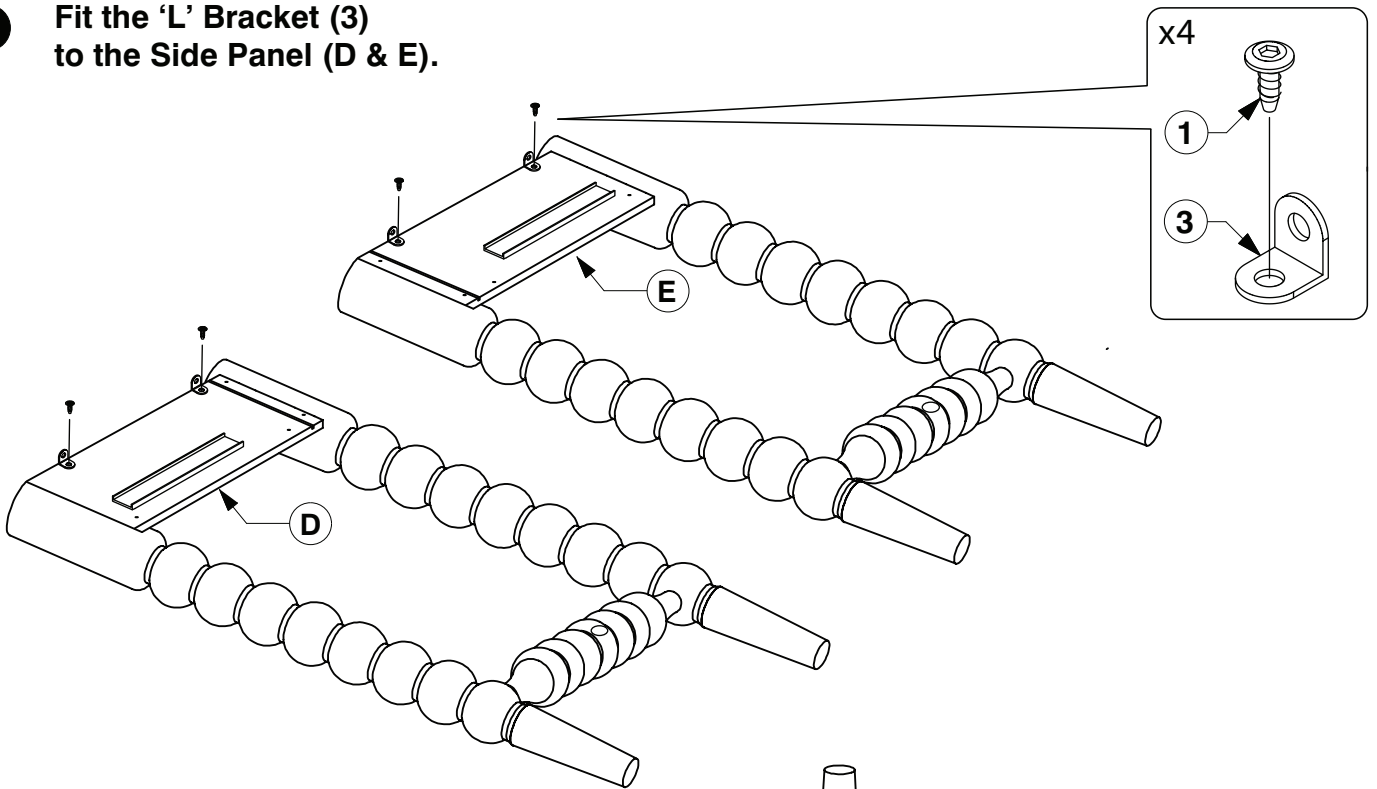


# 9025 1 Drawer Night Stand

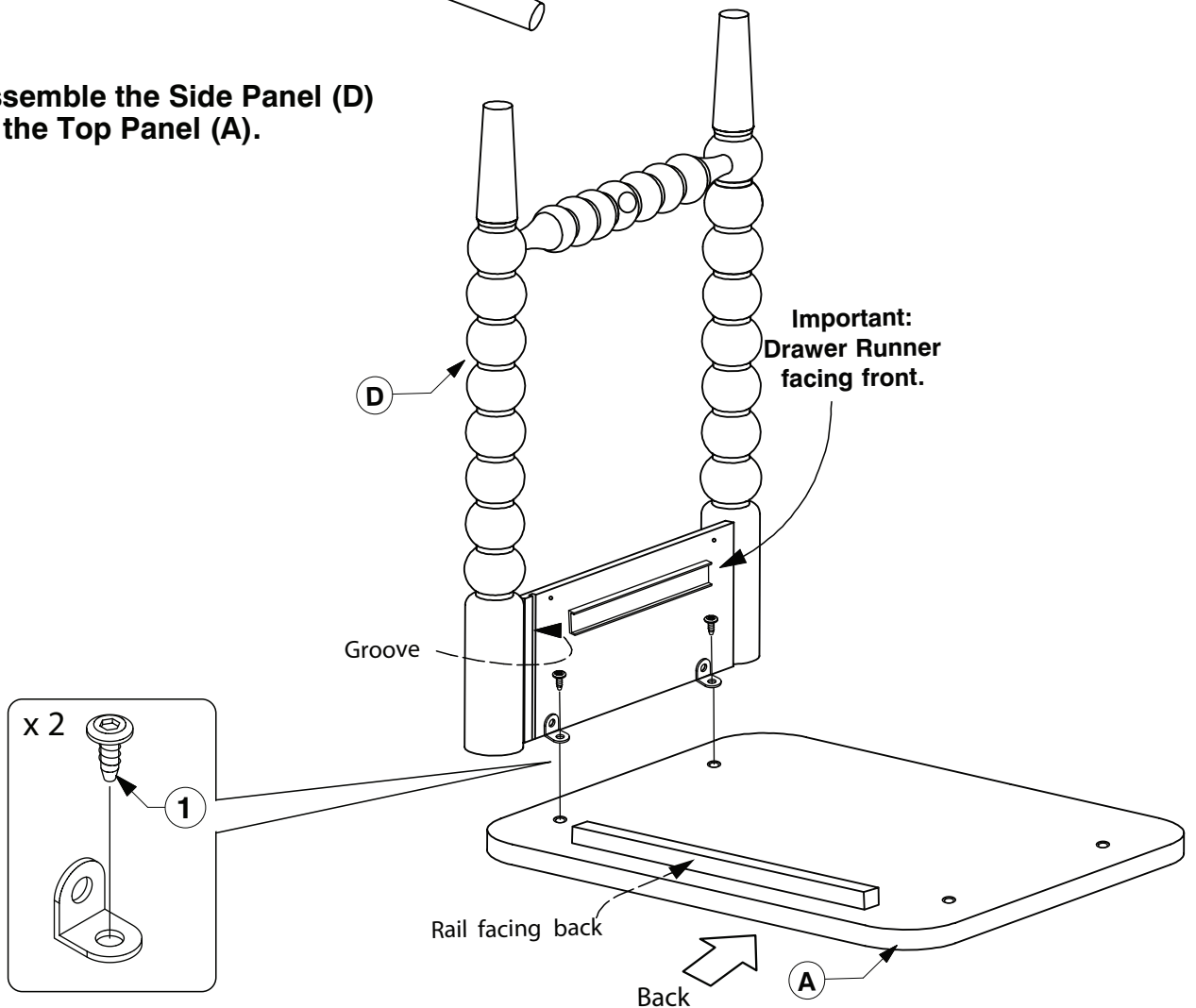
## Assembly Instructions

WI-1025

- 6** Fit the 'L' Bracket (3) to the Side Panel (D & E).



- 7** Assemble the Side Panel (D) to the Top Panel (A).

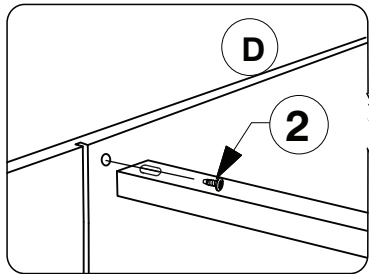


# 9025 1 Drawer Night Stand

## Assembly Instructions

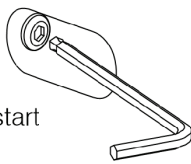
WI-1025

- 8** Fit the Bottom Support Bar (L) & Support Bar (C) to the Side Panel (D).



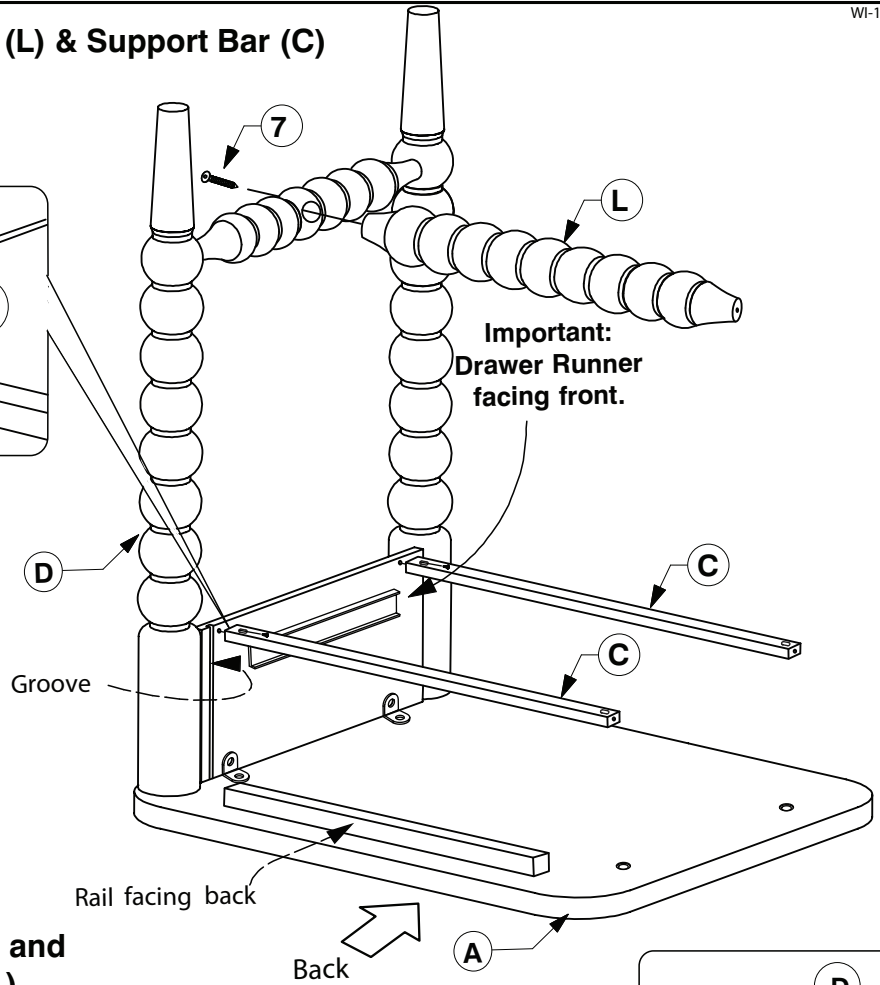
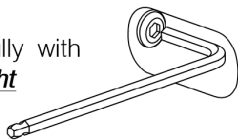
### Step 1

Use the **ball end** of Allen key to start the bolt.



### Step 2

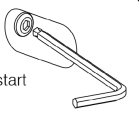
Tighten fully with the **straight end**.



- 9** Assemble the Side Panel (E) and to the Bottom Support Bar (L) and Support Bar (C) Top Panel (A).

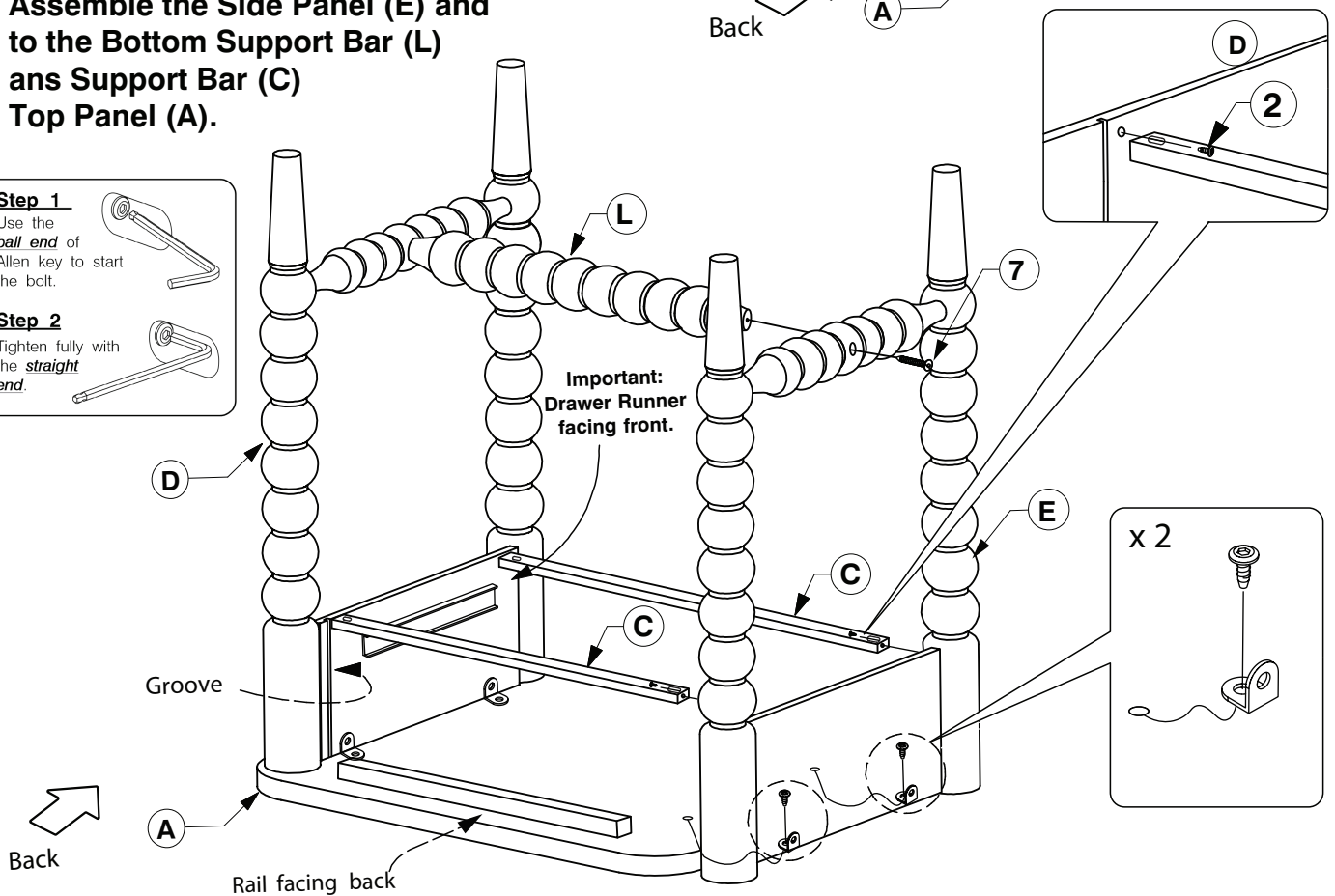
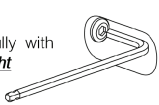
### Step 1

Use the **ball end** of Allen key to start the bolt.



### Step 2

Tighten fully with the **straight end**.

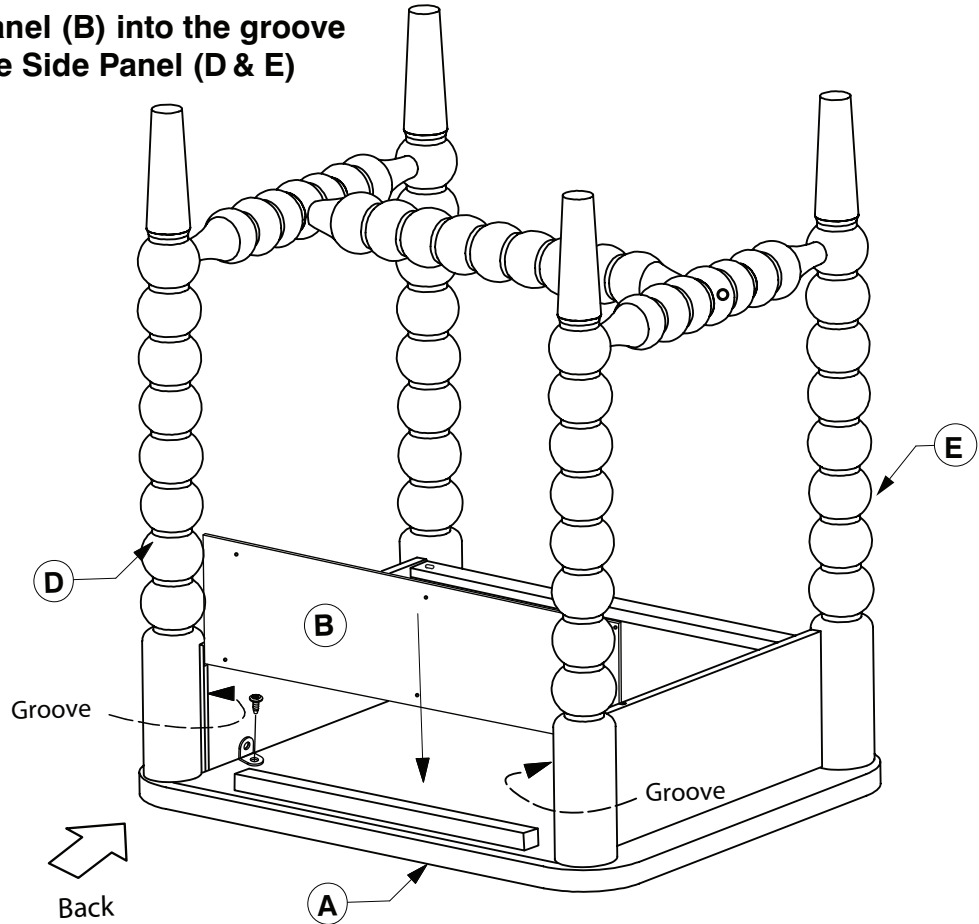


# 9025 1 Drawer Night Stand

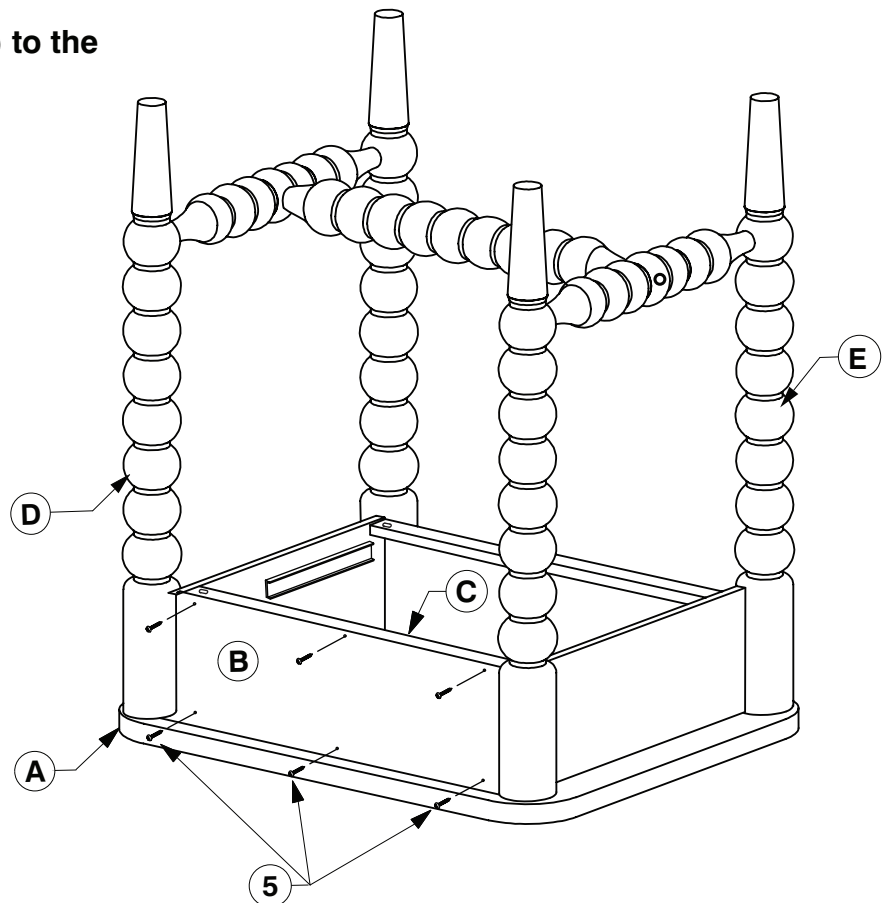
## Assembly Instructions

WI-1025

- 10** Slide the Back Panel (B) into the groove on the back of the Side Panel (D & E)



- 11** Screw the Back Panel (B) to the Side Panel (D & E).

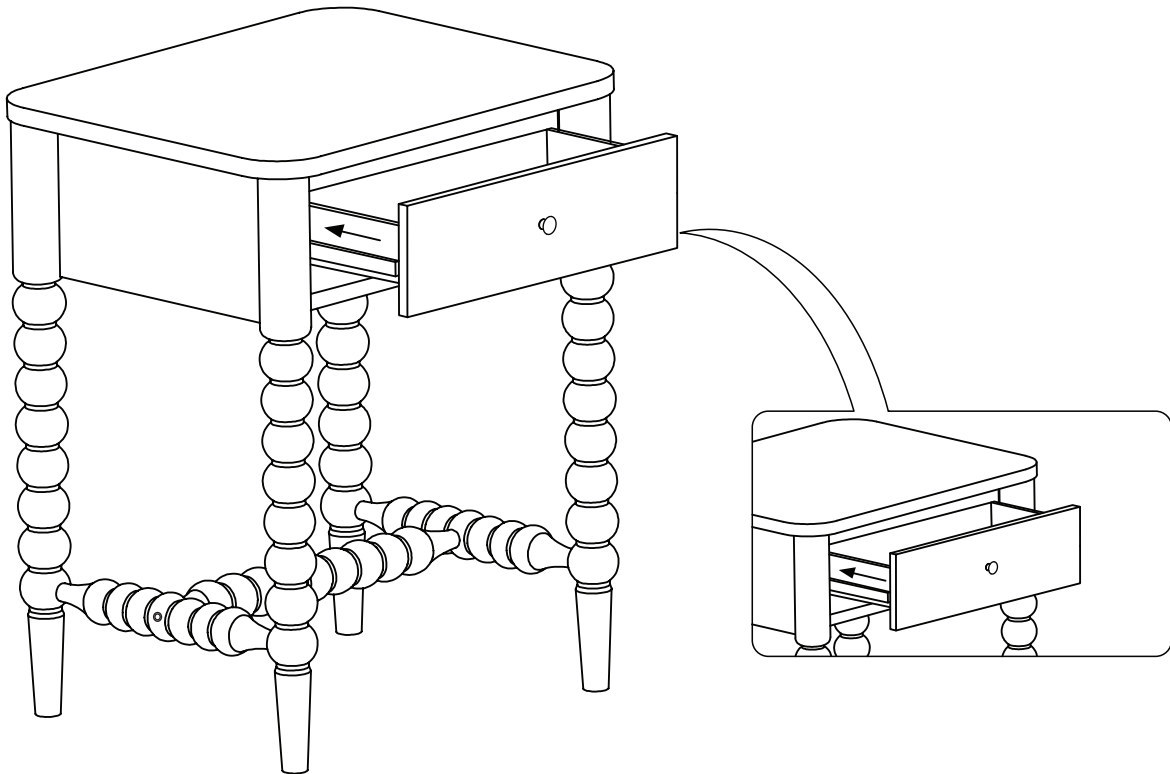


# 9025 1 Drawer Night Stand

## Assembly Instructions

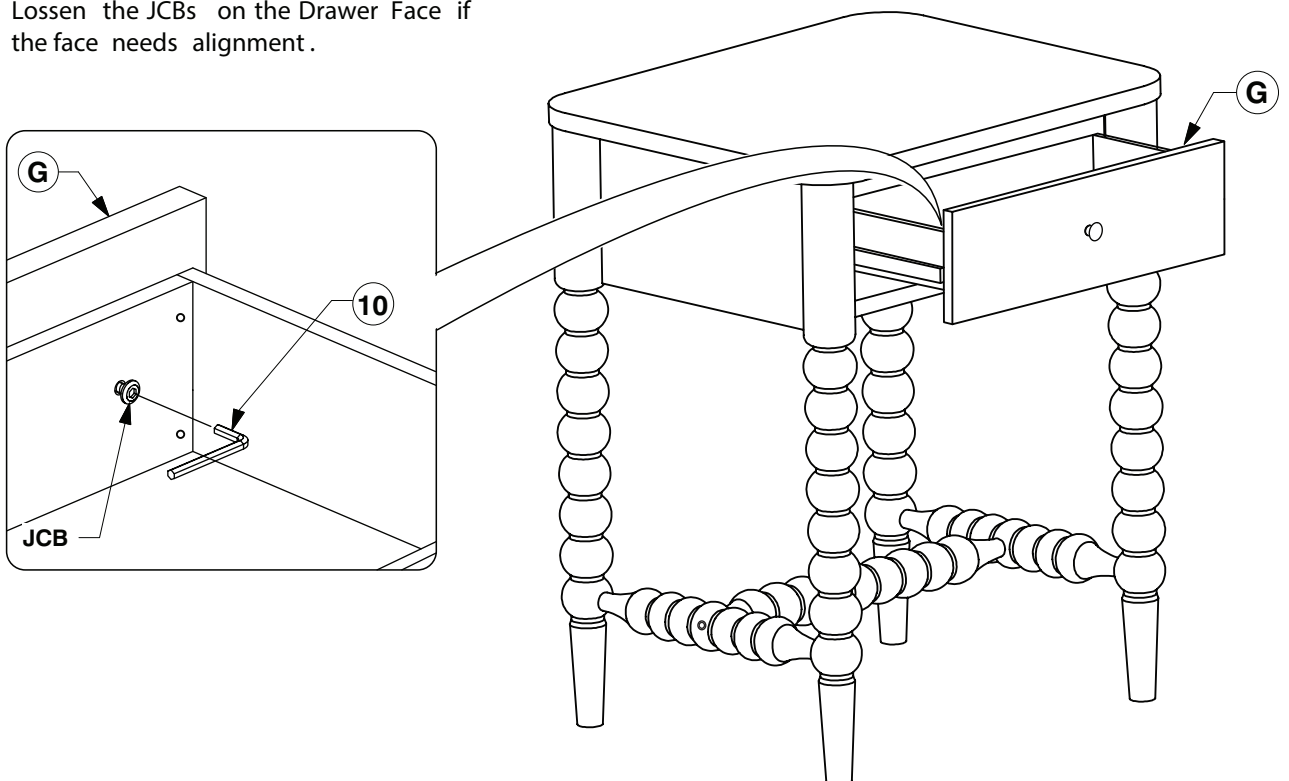
WI-1025

### 12 Fit the Drawer Box to the Casegood Body.



### 13 Adjust the Drawer Face (G).

\* NOTE: Before fitting the Wood Screws .  
Loosen the JCBs on the Drawer Face if  
the face needs alignment.



---

# 9025 1 Drawer Night Stand

## Assembly Instructions

---

WI-1025

- 14** After the Drawer Faces (G) are aligned, secure with wood screws.

