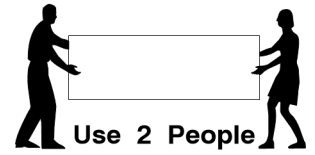
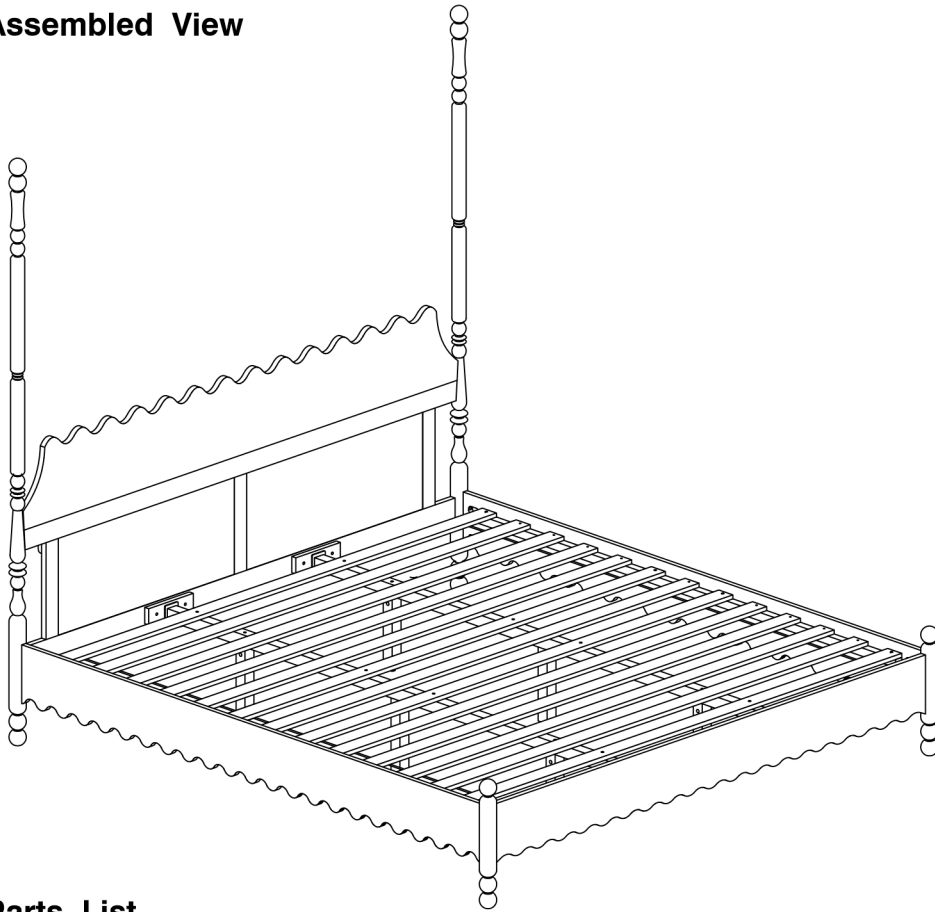


0261 King Bed

Assembly Instructions

WI-0925

1 Assembled View



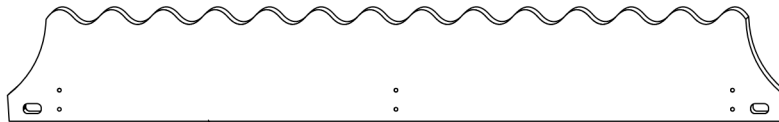
Use 2 People



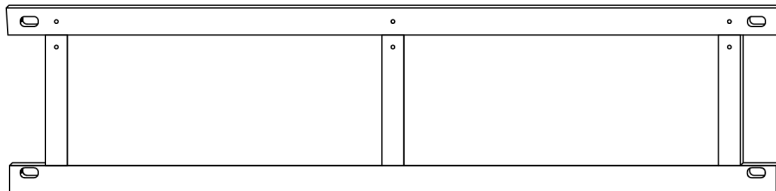
Note: Do not assemble using power tools. This can cause the bolts to be overtightened

2 Parts List

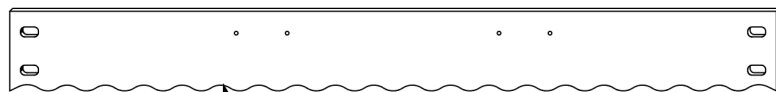
Parts in Box A:



A Headboard Panel (Upper) x 1



B Headboard Panel (Lower) x 1



C Footboard Panel x 1

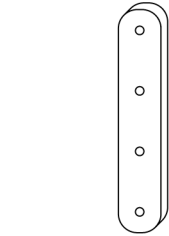
0261 King Bed

Assembly Instructions

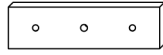
WI-0925

2 Parts List

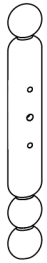
Parts in Box B:



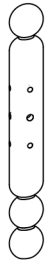
D Headboard Rear Support **x 3**



E Headboard / Footboard Support Bar **x 4**



F Footboard Post (Left hand) **x 1**



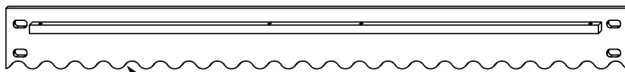
G Footboard Post (Right hand) **x 1**

H

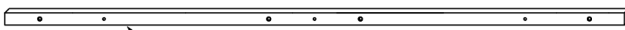
Headboard Post (Left hand) **x 1**

J

Headboard Post (Right hand) **x 1**



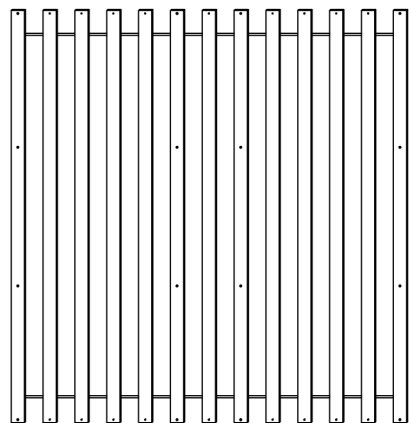
K Side Rail **x 2**



L Long Support **x 2**



M Support Leg **x 6**



N Set of Bed Slats **x 1**

0261 King Bed

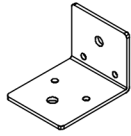
Assembly Instructions

WI-0925

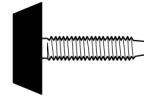
3 Hardware List



1 M4 Long Allen Key
x 1



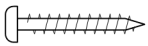
2 Center Rail
Bracket x 4



3 Adjustable
Foot x 6



4 Barrel Nut
x 6



5 Wood Screw
(M4 x 32mm)
x 18



6 Wood Dowel
(10 x 40mm)
x 6



7 M6 x
15mm JCB
x 8



8 M6 x
30mm JCB
x 20

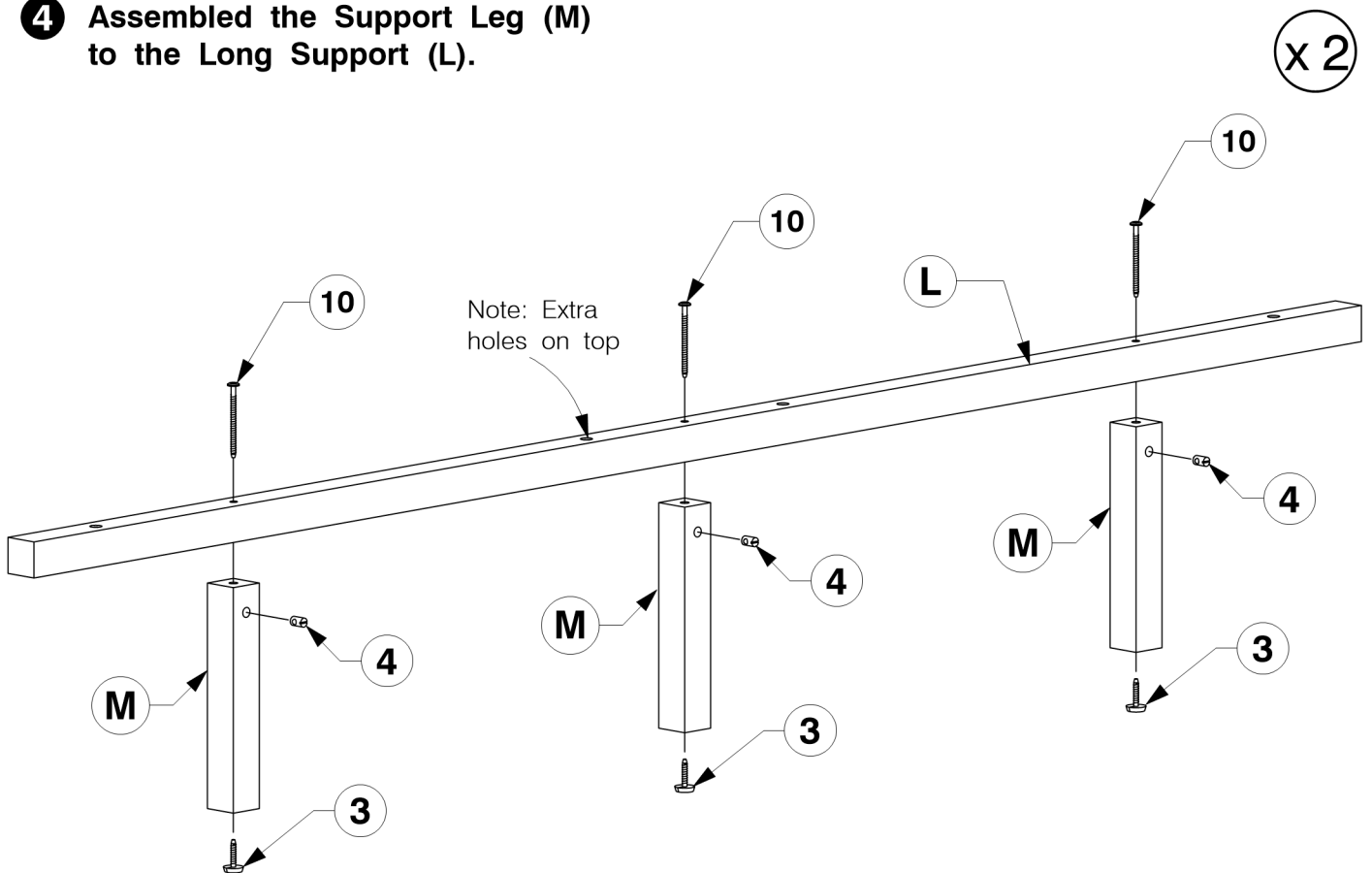


9 M6 x
40mm JCB
x 34



10 M6 x 90mm JCB
x 6

4 Assembled the Support Leg (M) to the Long Support (L).

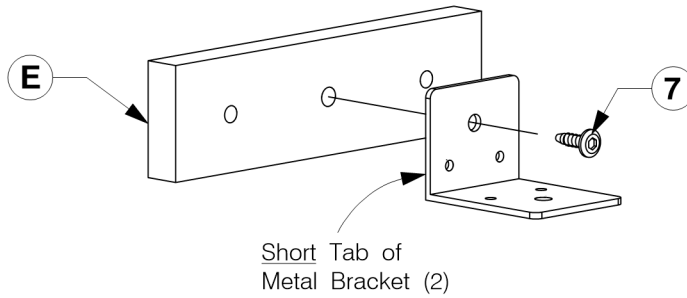


0261 King Bed

Assembly Instructions

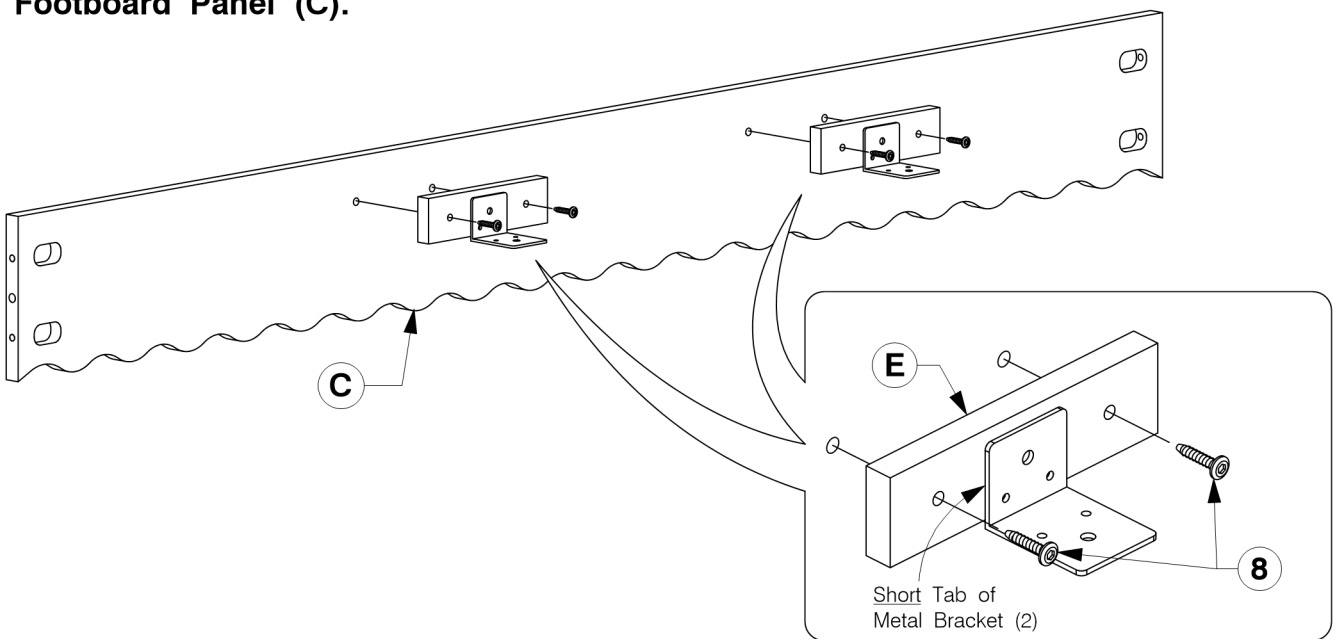
WI-0925

- 5** Fit the Center Rail Bracket to the Headboard / Footboard Support Bar (E).

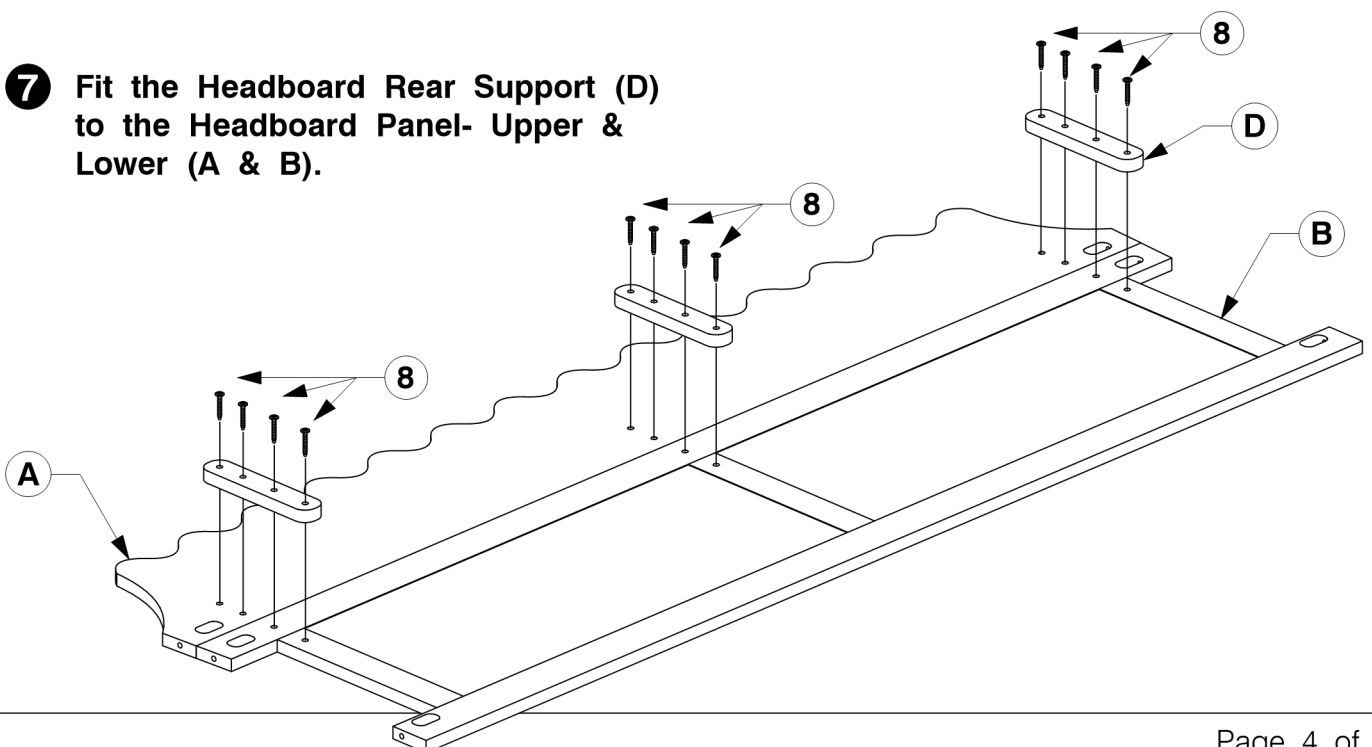


x 4

- 6** Fit the Headboard / Footboard Support Bar (E) to the Footboard Panel (C).



- 7** Fit the Headboard Rear Support (D) to the Headboard Panel- Upper & Lower (A & B).

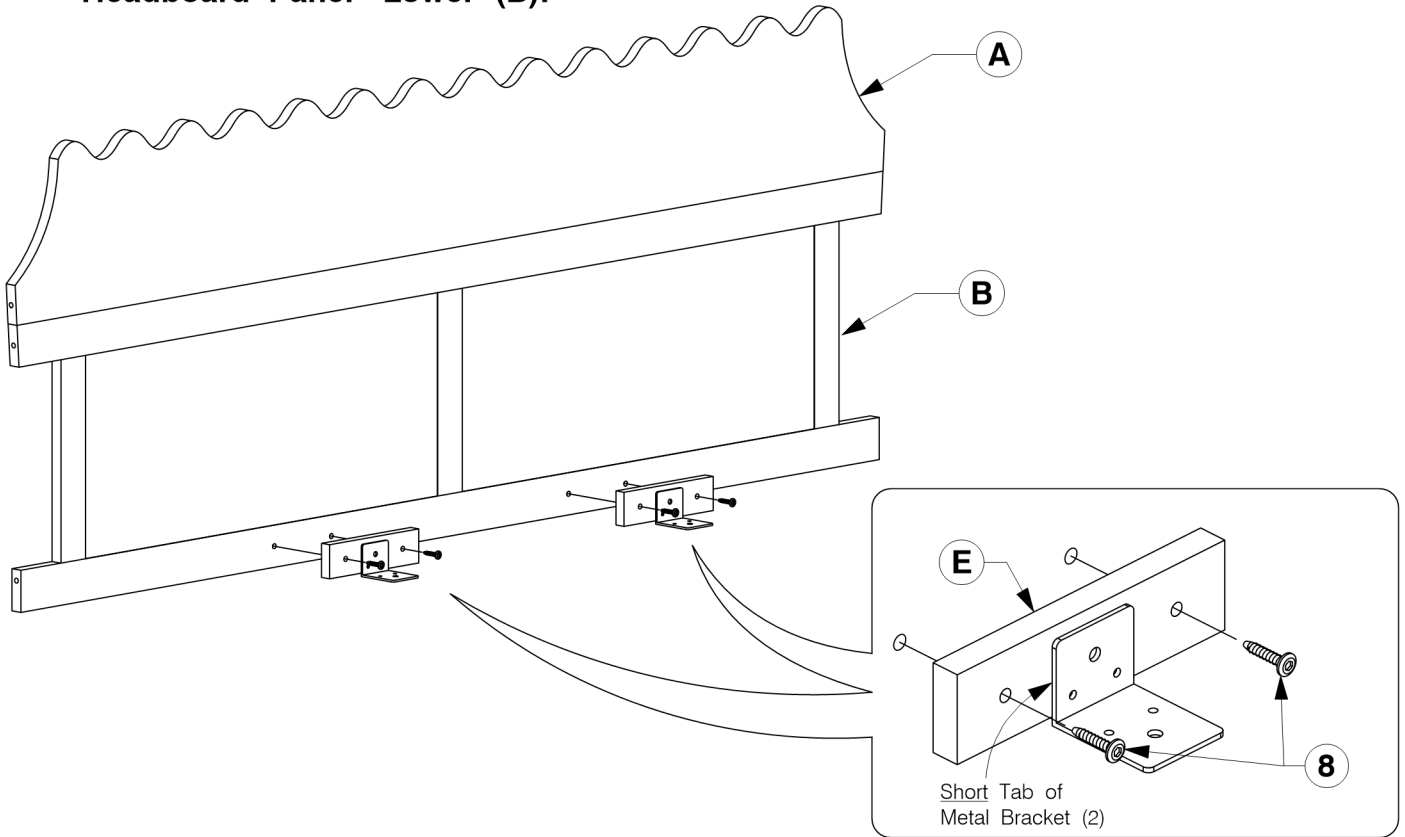


0261 King Bed

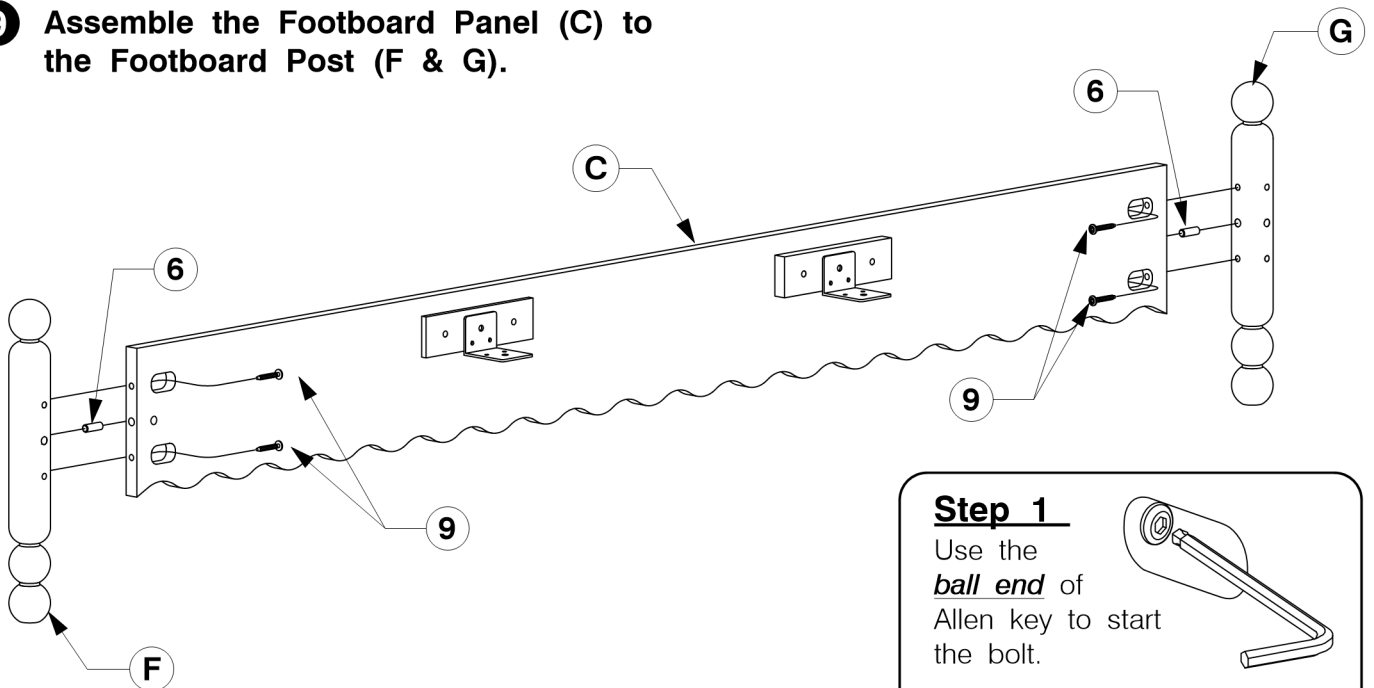
Assembly Instructions

WI-0925

- 8** Fit the Headboard / Footboard Support Bar (E) to the Headboard Panel- Lower (B).

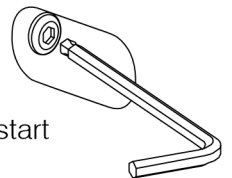


- 9** Assemble the Footboard Panel (C) to the Footboard Post (F & G).



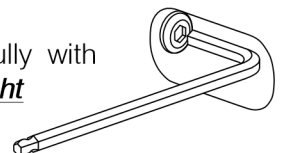
Step 1

Use the **ball end** of Allen key to start the bolt.



Step 2

Tighten fully with the **straight end**.

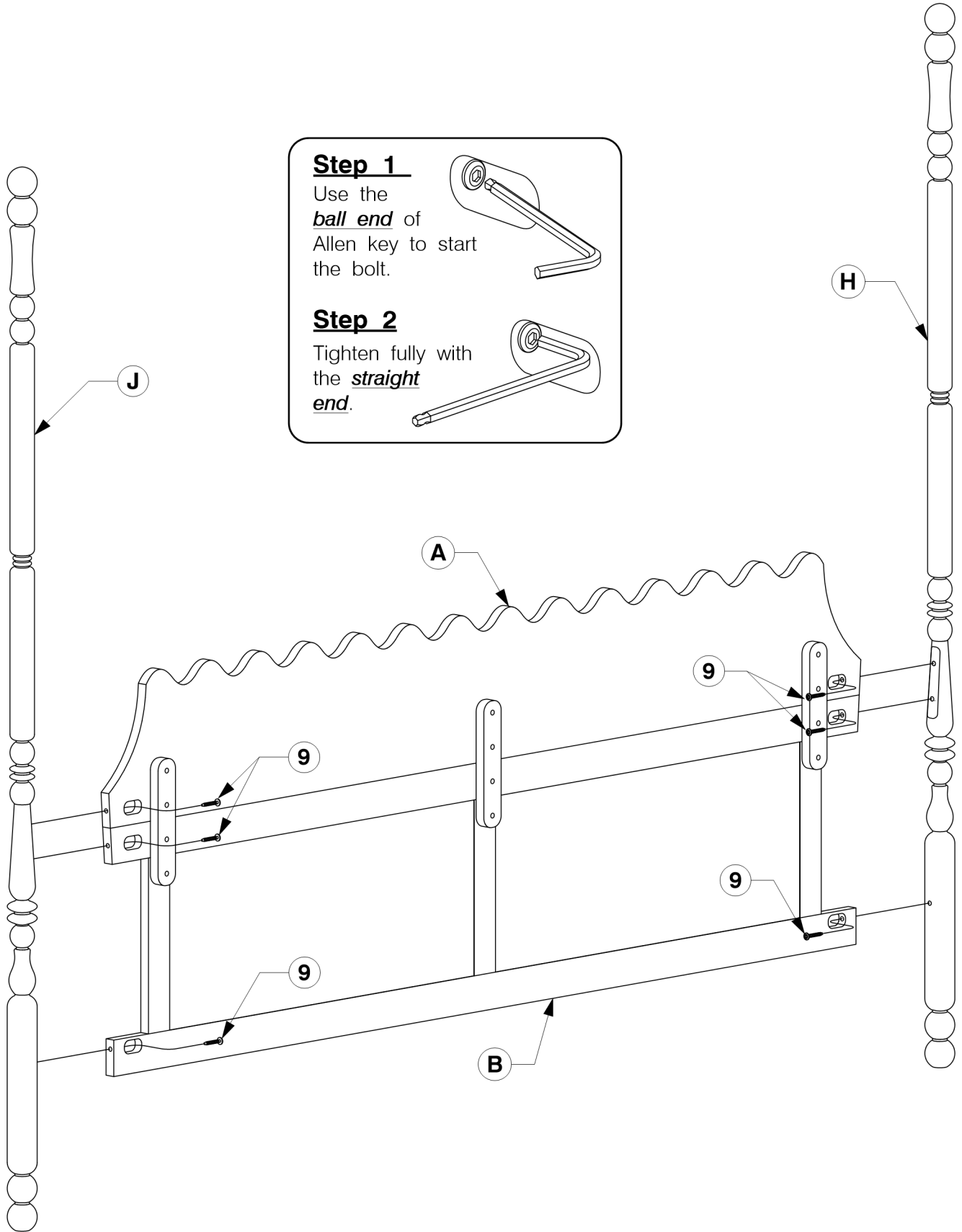


0261 King Bed

Assembly Instructions

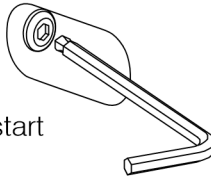
WI-0925

- 10** Assemble the Headboard Panel- Upper & Lower (A & B) to the Headboard Post (H & J).



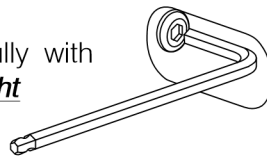
Step 1

Use the **ball end** of Allen key to start the bolt.



Step 2

Tighten fully with the **straight end**.

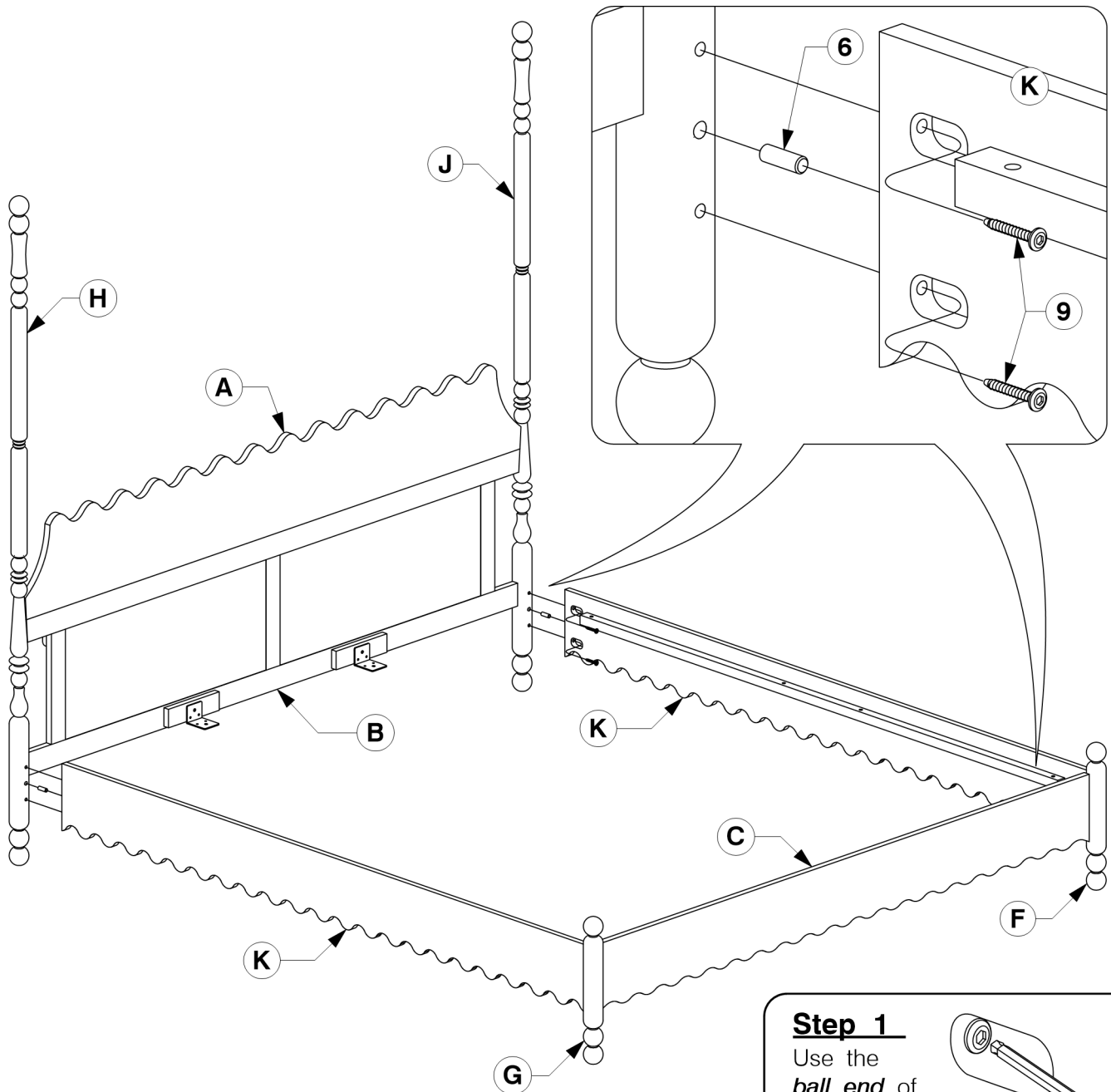


0261 King Bed

Assembly Instructions

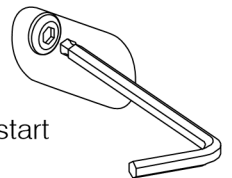
WI-0925

- 11** Assemble the Side Rail (K) to the Headboard & Footboard Post.



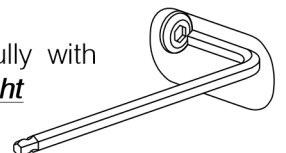
Step 1

Use the **ball end** of Allen key to start the bolt.



Step 2

Tighten fully with the **straight end**.

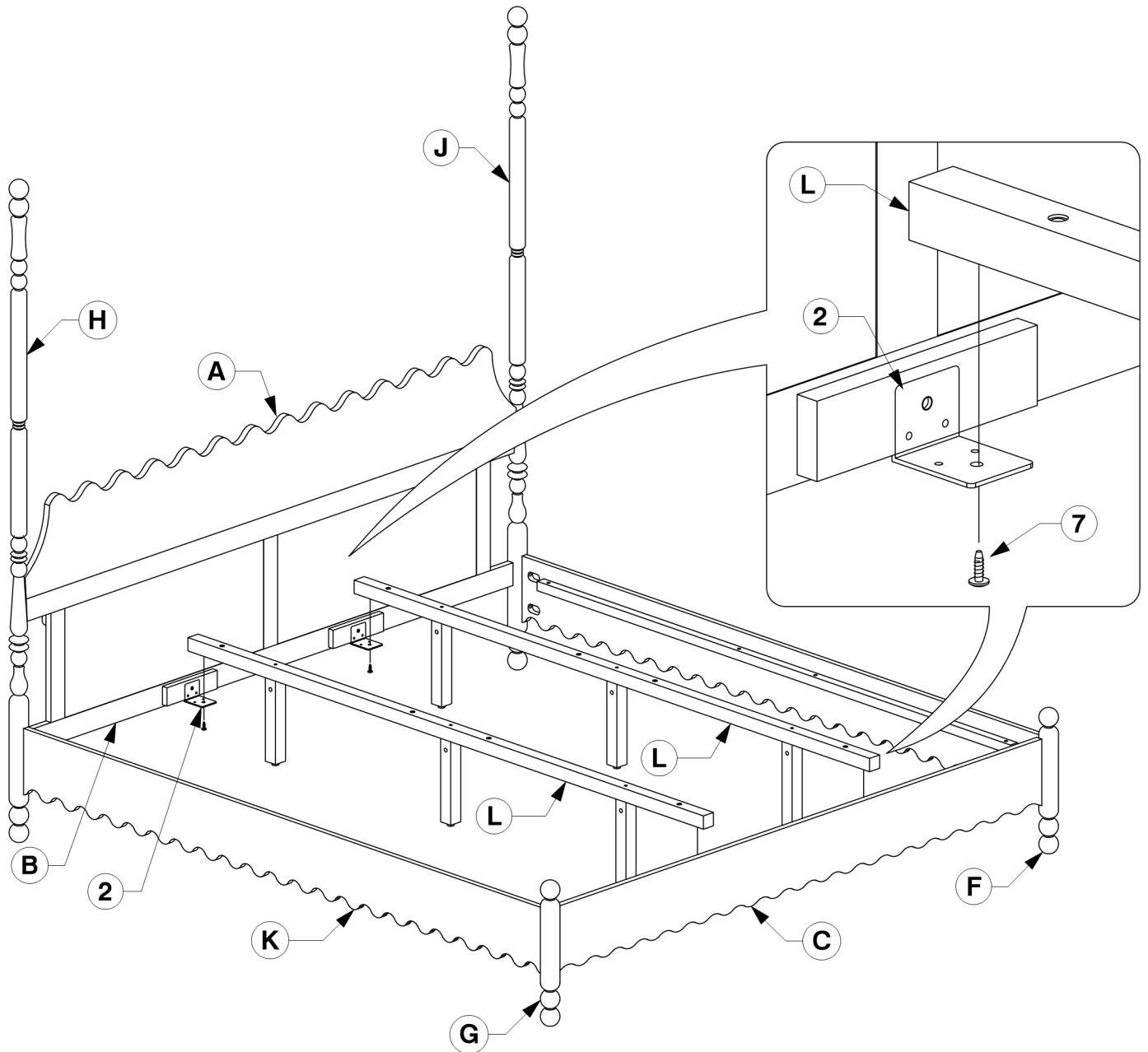


0261 King Bed

Assembly Instructions

WI-0925

- 12 Bolt the Long Support (L) to the Center Rail Brackets on the Headboard Panel (B) and Footboard Panel (C).**

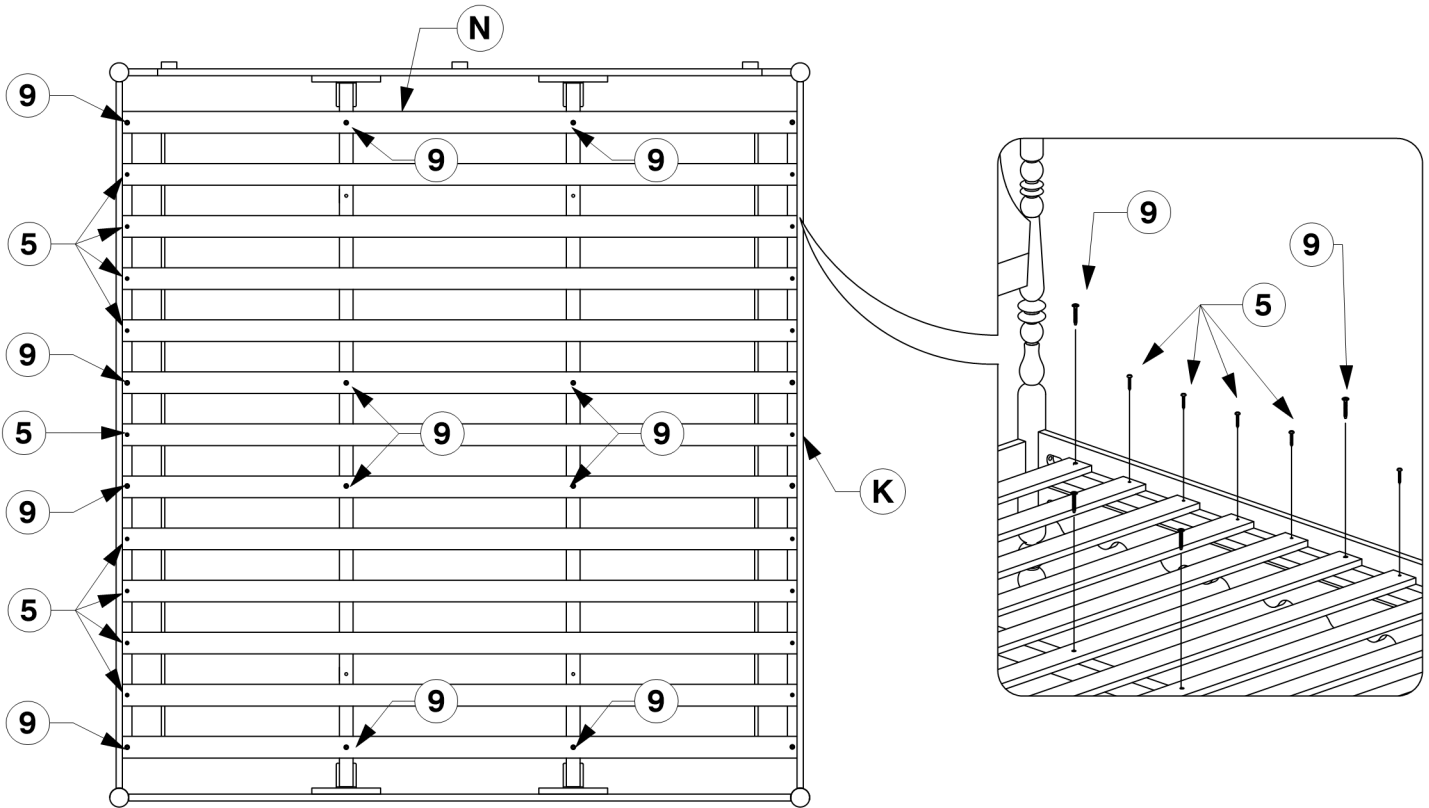


0261 King Bed

Assembly Instructions

WI-0925

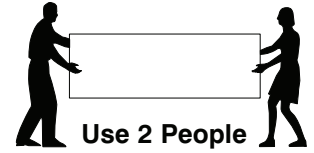
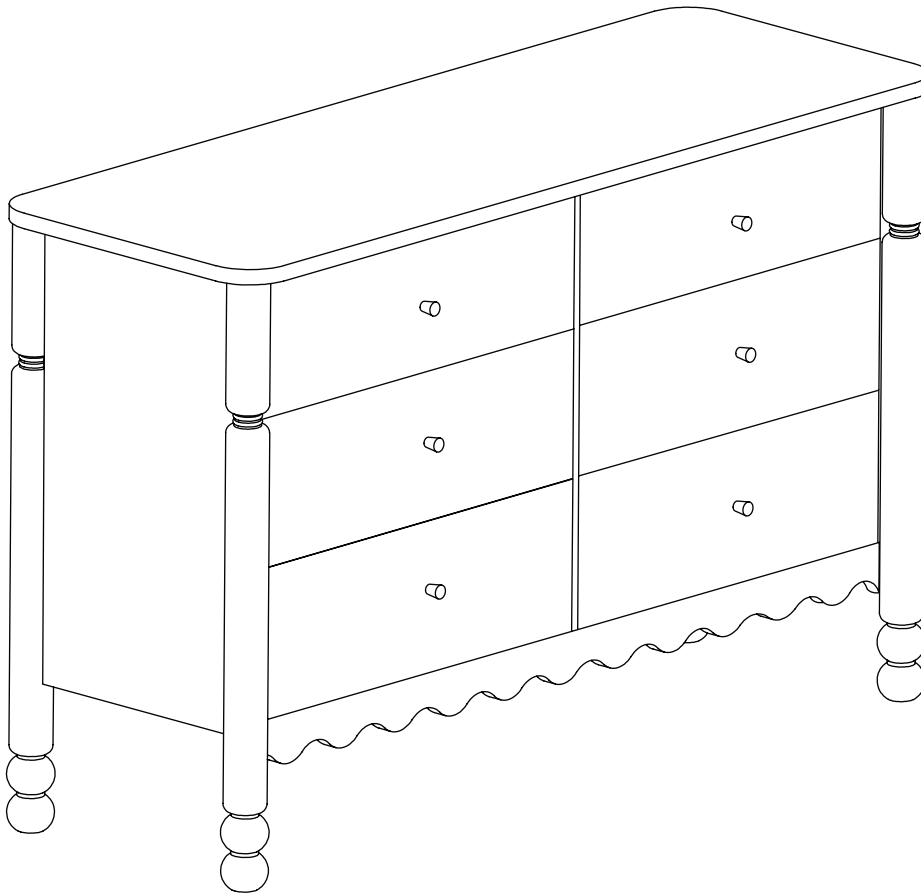
13 Bolt & screw the Bed Slats (N) to the Side Rails (K).



9022 6 Drawer Dresser

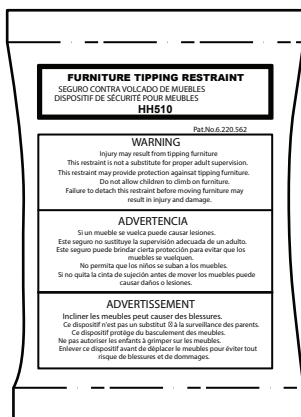
Assembly Instructions

WI-1025



Note: Do not assemble using power tools. This can cause the bolts to be overtightened

WARNING



Anti Tipping Kit x 1



Children have died from furniture tipover.

To reduce the risk of furniture tipover:

- ALWAYS install anti-tip device provided.
- NEVER put a TV on this product.
- NEVER allow children to stand, climb, or hang on any drawers, doors or shelves.
- NEVER open more than one drawer at a time.
- DO NOT defeat or remove the drawer interlock system; it is an important stability and safety system.
- Place heaviest items in the lowest drawer.

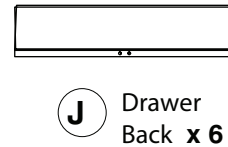
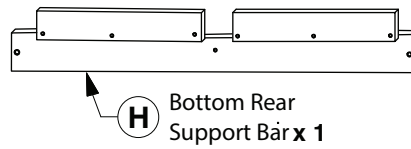
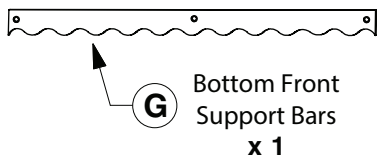
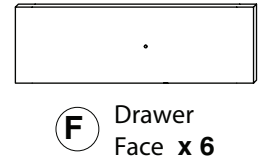
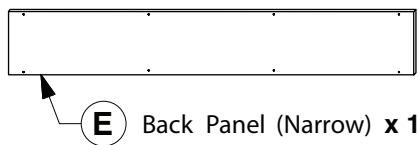
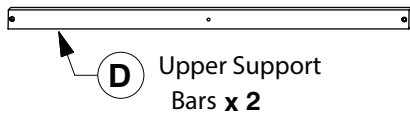
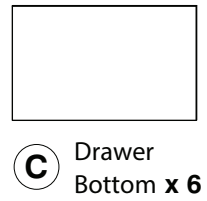
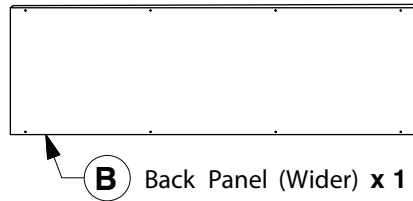
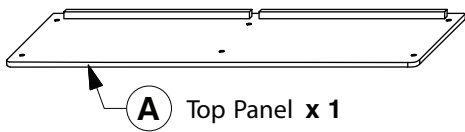
9022 6 Drawer Dresser

Assembly Instructions

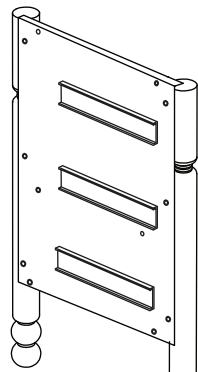
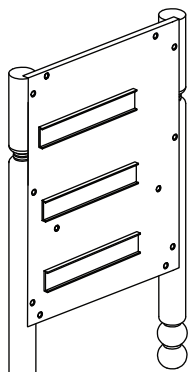
WI-1025

1 Parts List

Parts in Box A:

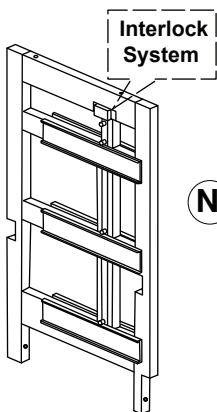


Parts in Box B:



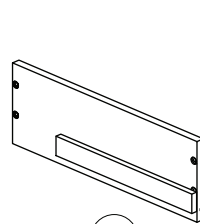
L Side Panel (Left Hand) x 1

M Side Panel (Right Hand) x 1

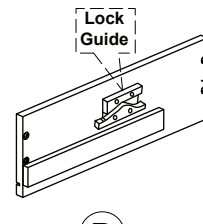


N Center Frame x 1

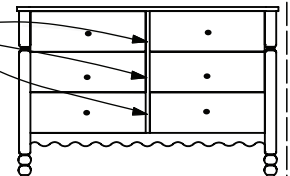
Parts for **LEFT** Side Drawer



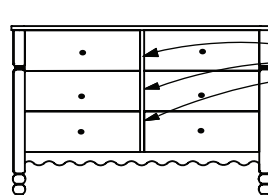
O LEFT Drawer Side (Left Hand) x 3



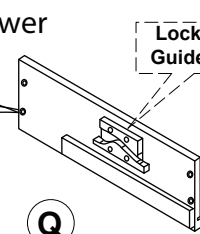
P LEFT Drawer Side (Right Hand) x 3



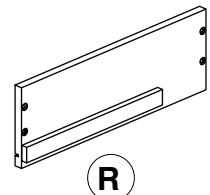
Parts for **RIGHT** Side Drawer



Q RIGHT Drawer Side (Left Hand) x 3



R RIGHT Drawer Side (Right Hand) x 3

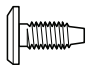


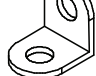
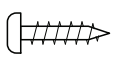
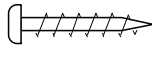
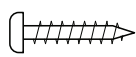

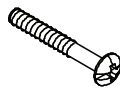




9022 6 Drawer Dresser

Assembly Instructions

WI-1025

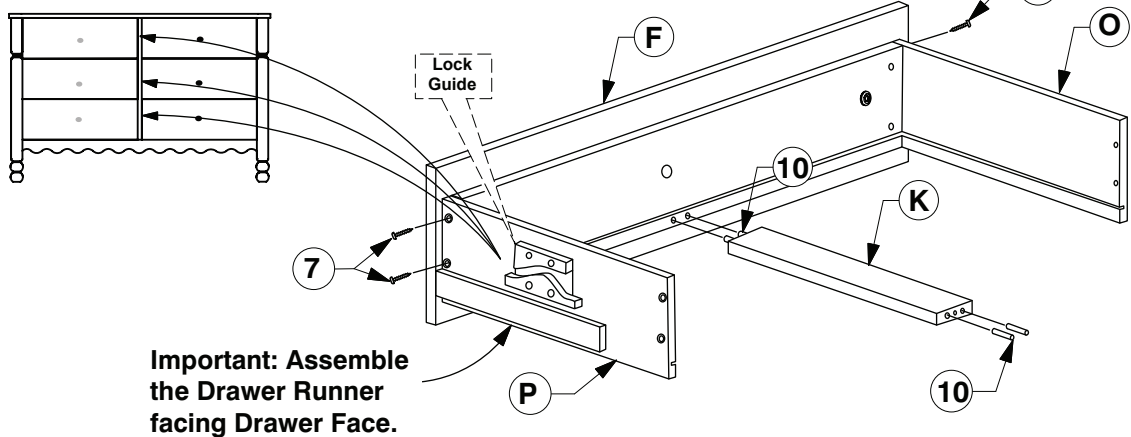
2 Hardware List

- | | | | |
|---|---|---|---|
|  |  |  |  |
| 1 M6 x 15mm JCB x 24 | 2 M6 x 30mm JCB x 4 | 3 M6 x 60mm JCB x 2 | 4 'L' Bracket (5005-3) x 12 |
|  |  |  |  |
| 5 Wood Screw (M4 x 20mm) x 24 | 6 Wood Screw (M4 x 32mm) x 16 | 7 Wood Screw (M4 x 25mm) x 60 | 8 Handle (1005) x 6 |
|  |  |  | |
| 9 M4 x 22mm Wood Screw x 6 | 10 M6 x 25mm Wood Dowel x 24 | 11 Allen Key x 1 | |

3 Assemble the Drawers.

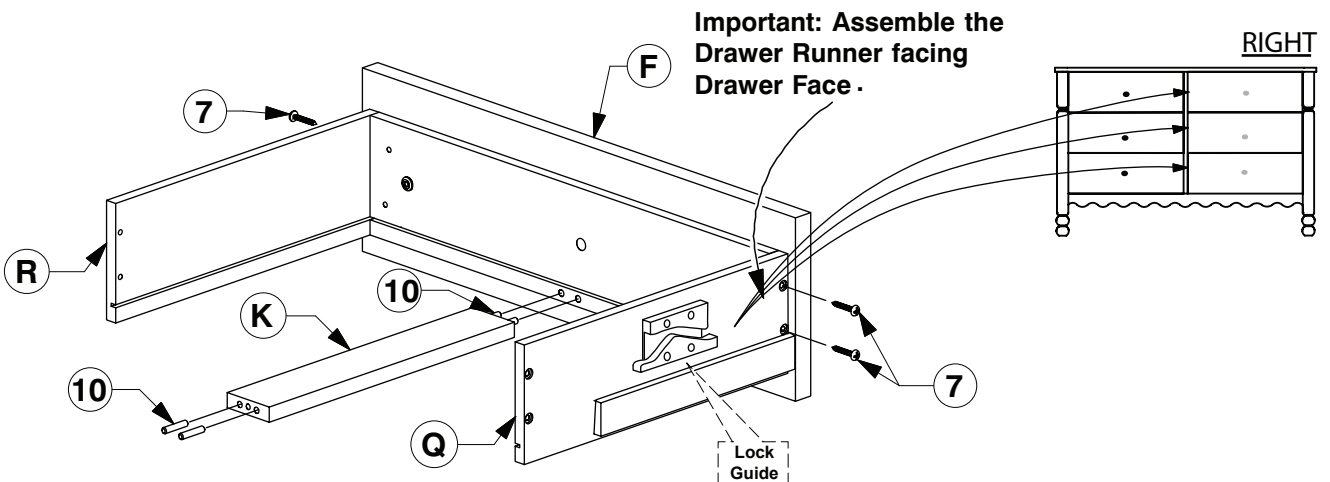
STEP 3.1

LEFT



x 3

Important: Assemble the Drawer Runner facing Drawer Face.



x 3

9022 6 Drawer Dresser

Assembly Instructions

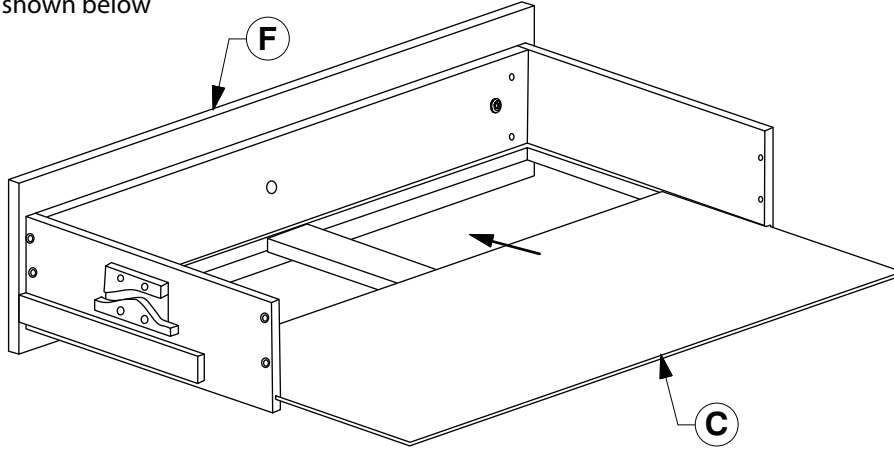
WI-1025

3 Assemble the Drawers.

STEP 3.2

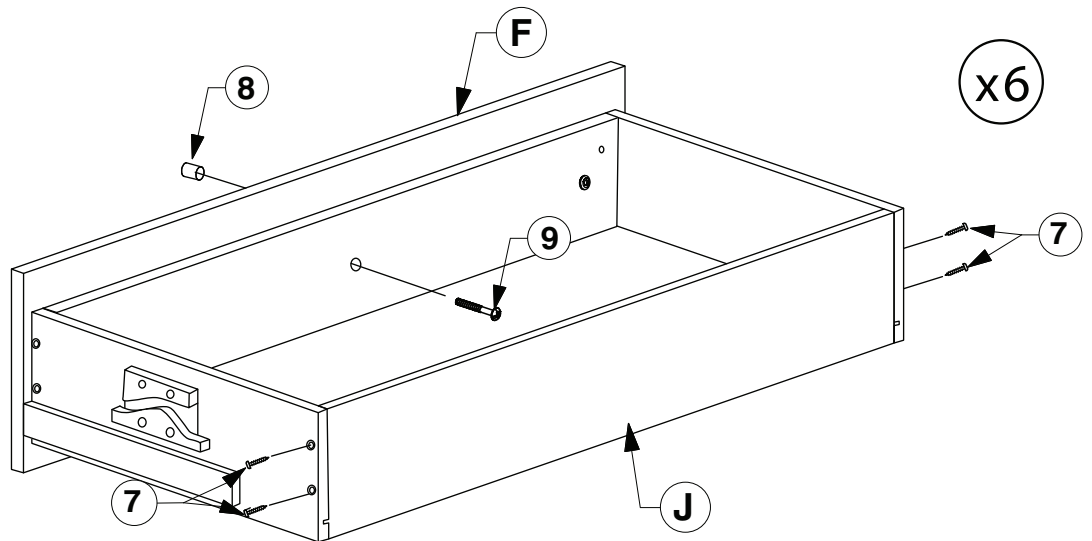
x6

* 3 Assemble the left and right drawers as shown below



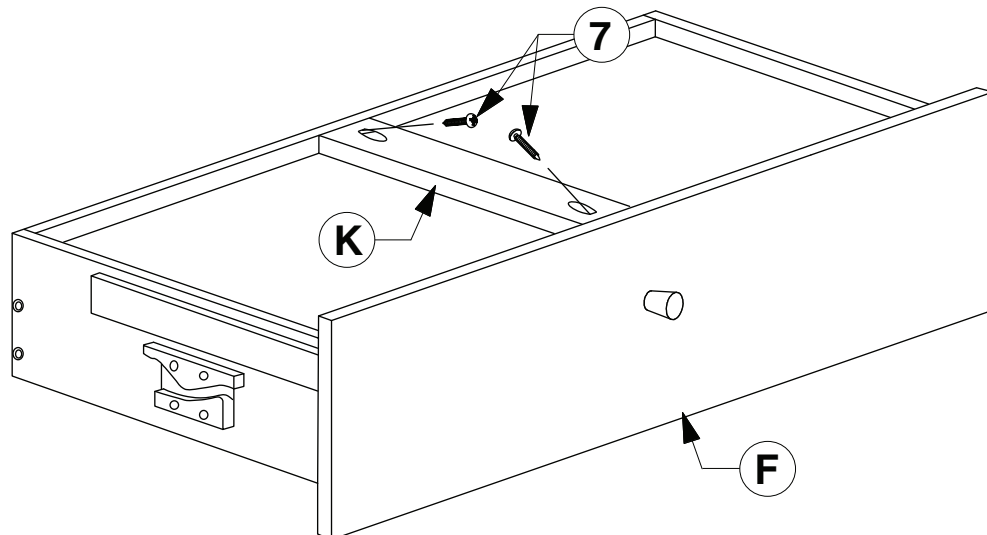
STEP 3.3

x6



STEP 3.4

x6

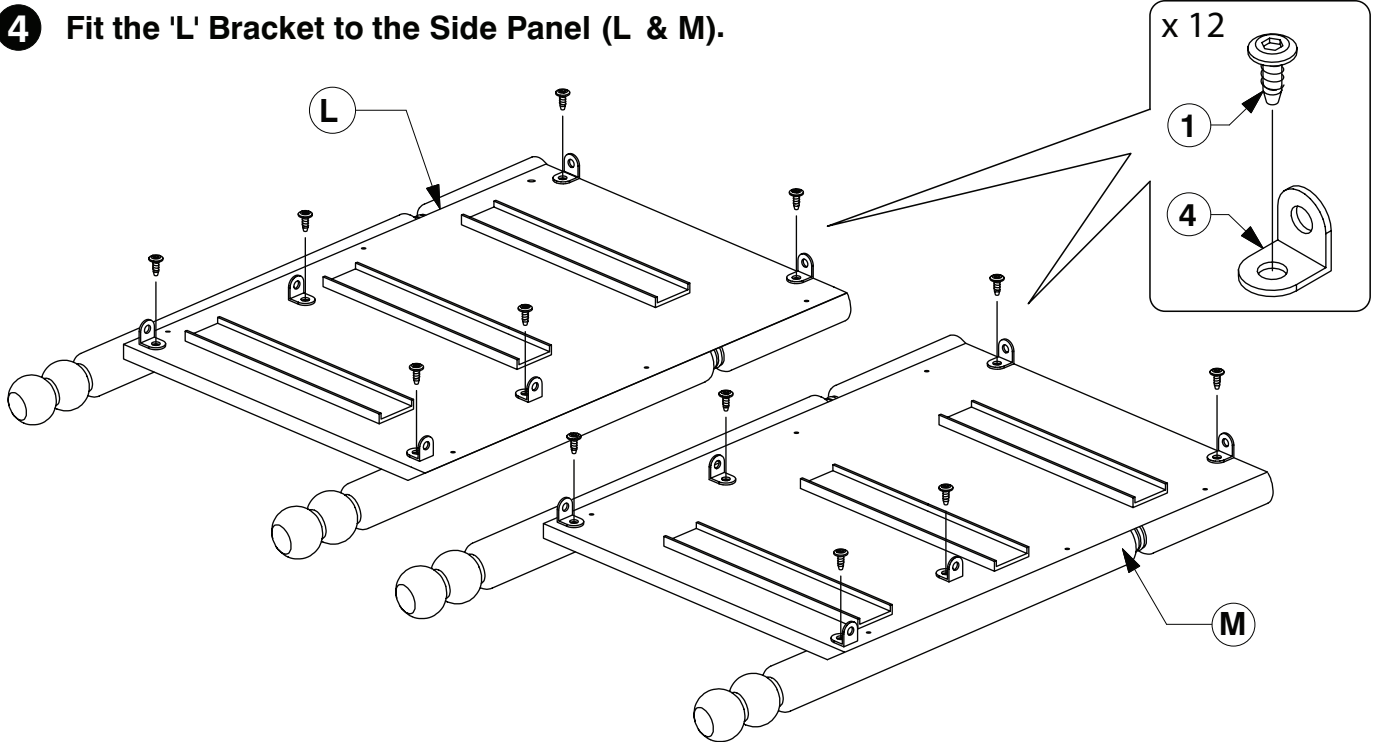


9022 6 Drawer Dresser

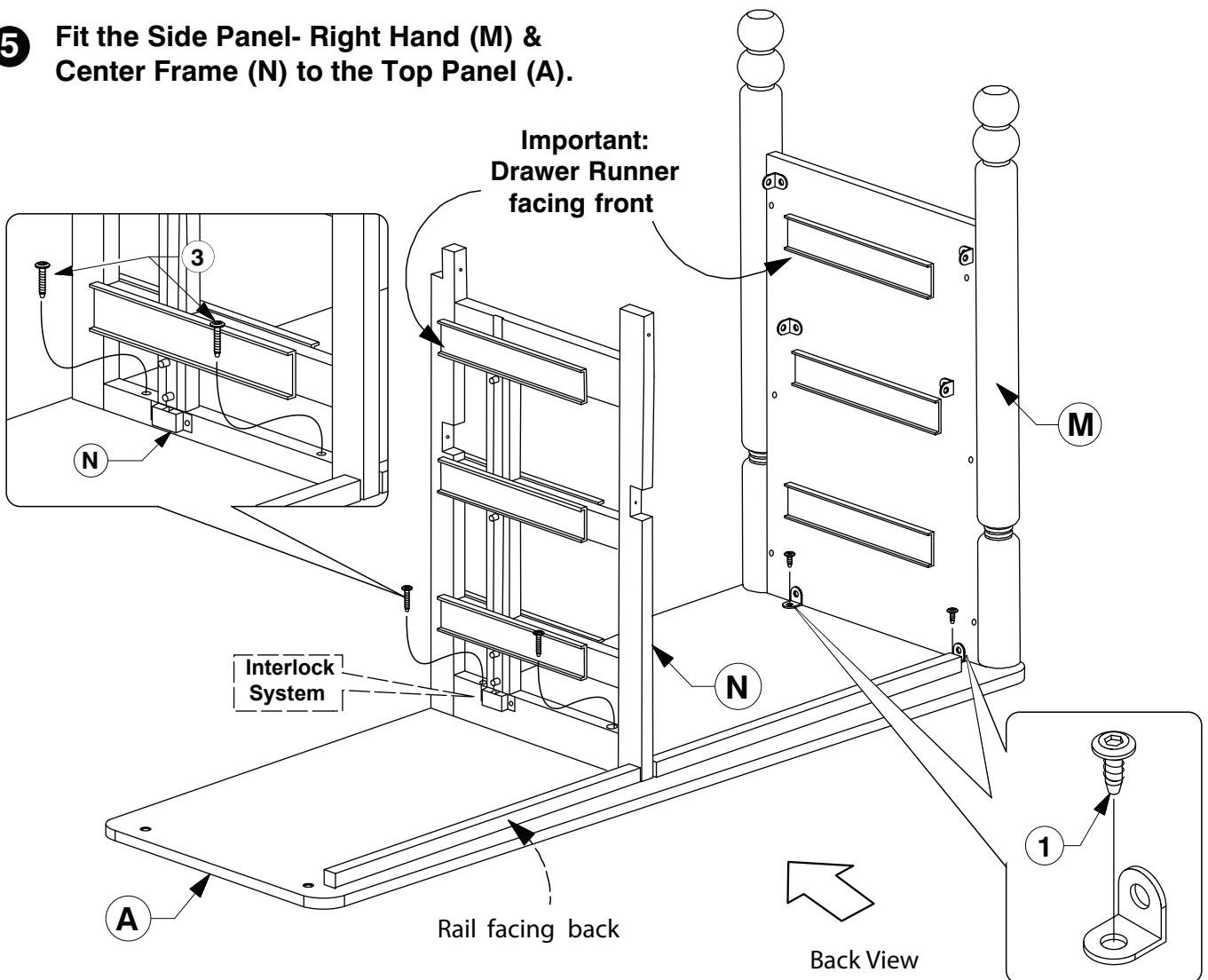
Assembly Instructions

WI-1025

4 Fit the 'L' Bracket to the Side Panel (L & M).



5 Fit the Side Panel- Right Hand (M) & Center Frame (N) to the Top Panel (A).

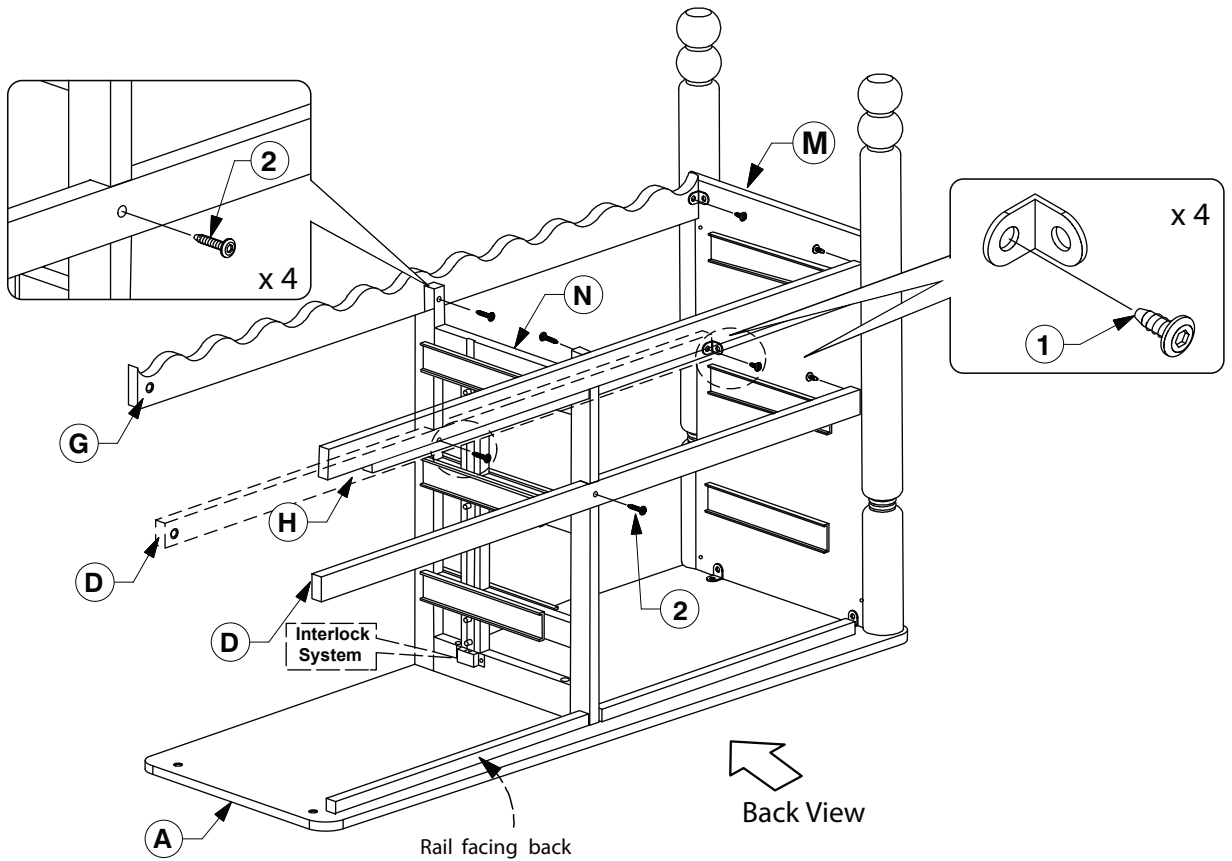


9022 6 Drawer Dresser

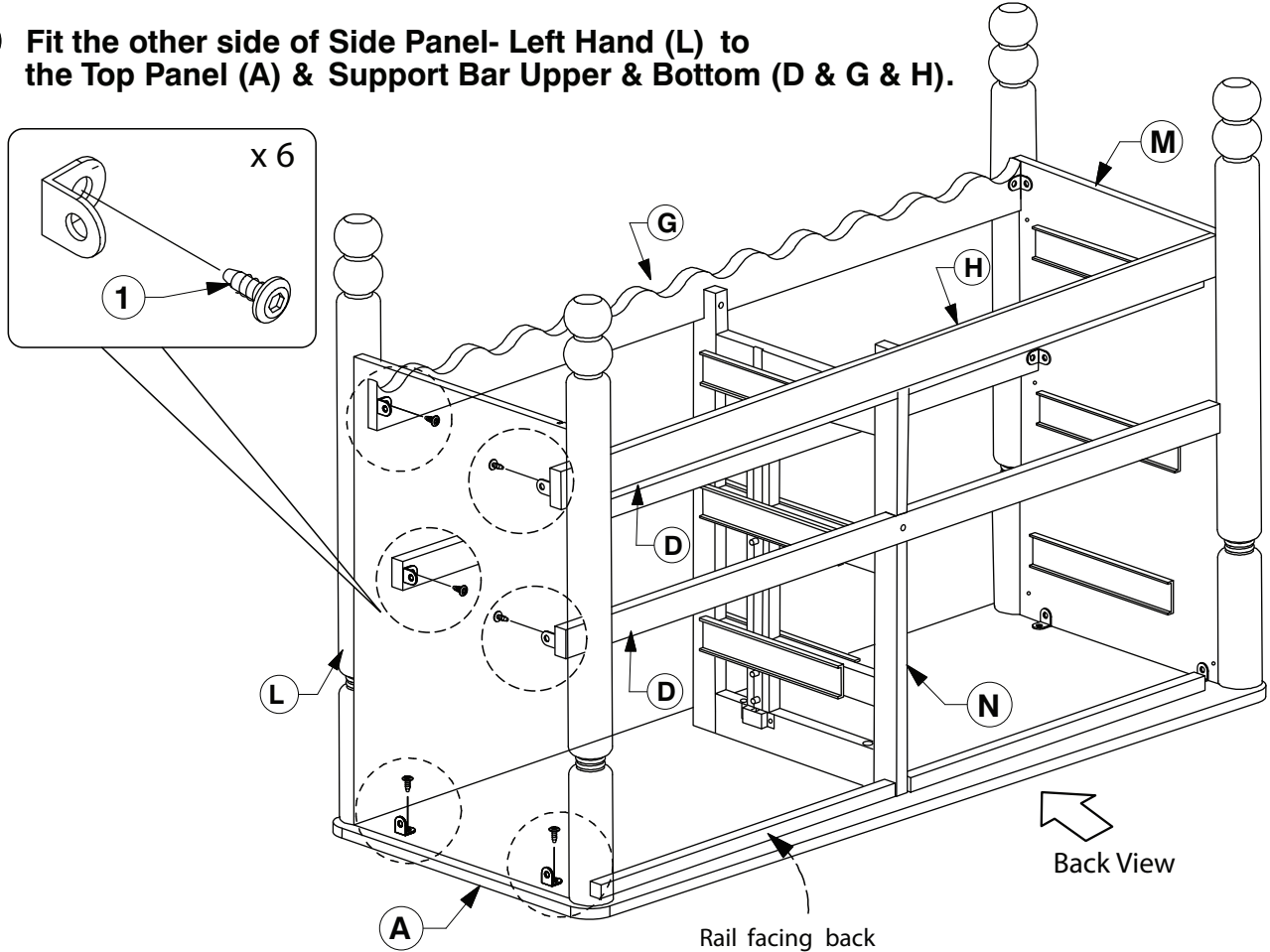
Assembly Instructions

WI-1025

- 6** Fit the Upper Support Bar (D) and Bottom Front & Rear Support Bars (G & H) to the Side Panel-Right Hand (M) & Center Frame (N) as shown.



- 7** Fit the other side of Side Panel- Left Hand (L) to the Top Panel (A) & Support Bar Upper & Bottom (D & G & H).

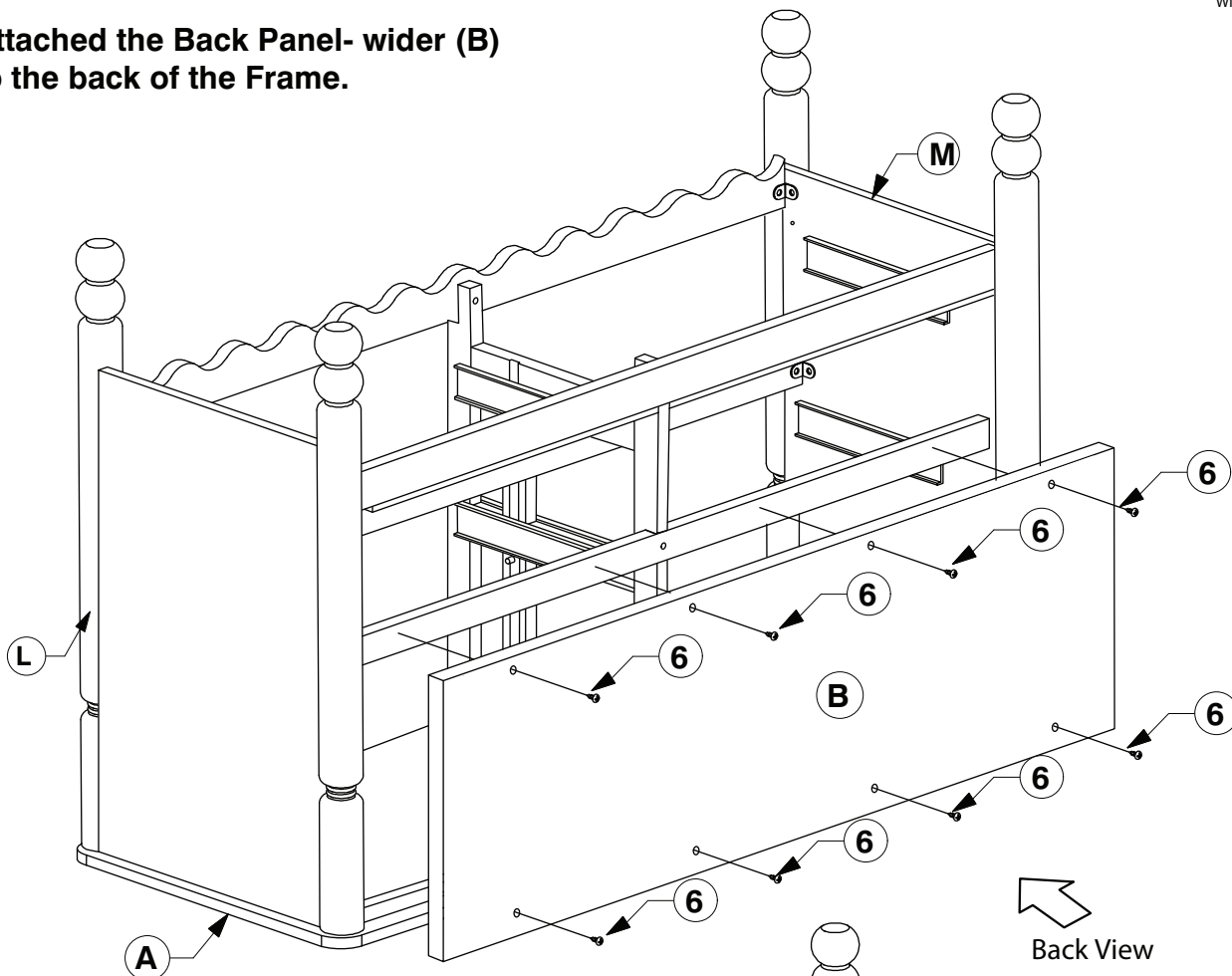


9022 6 Drawer Dresser

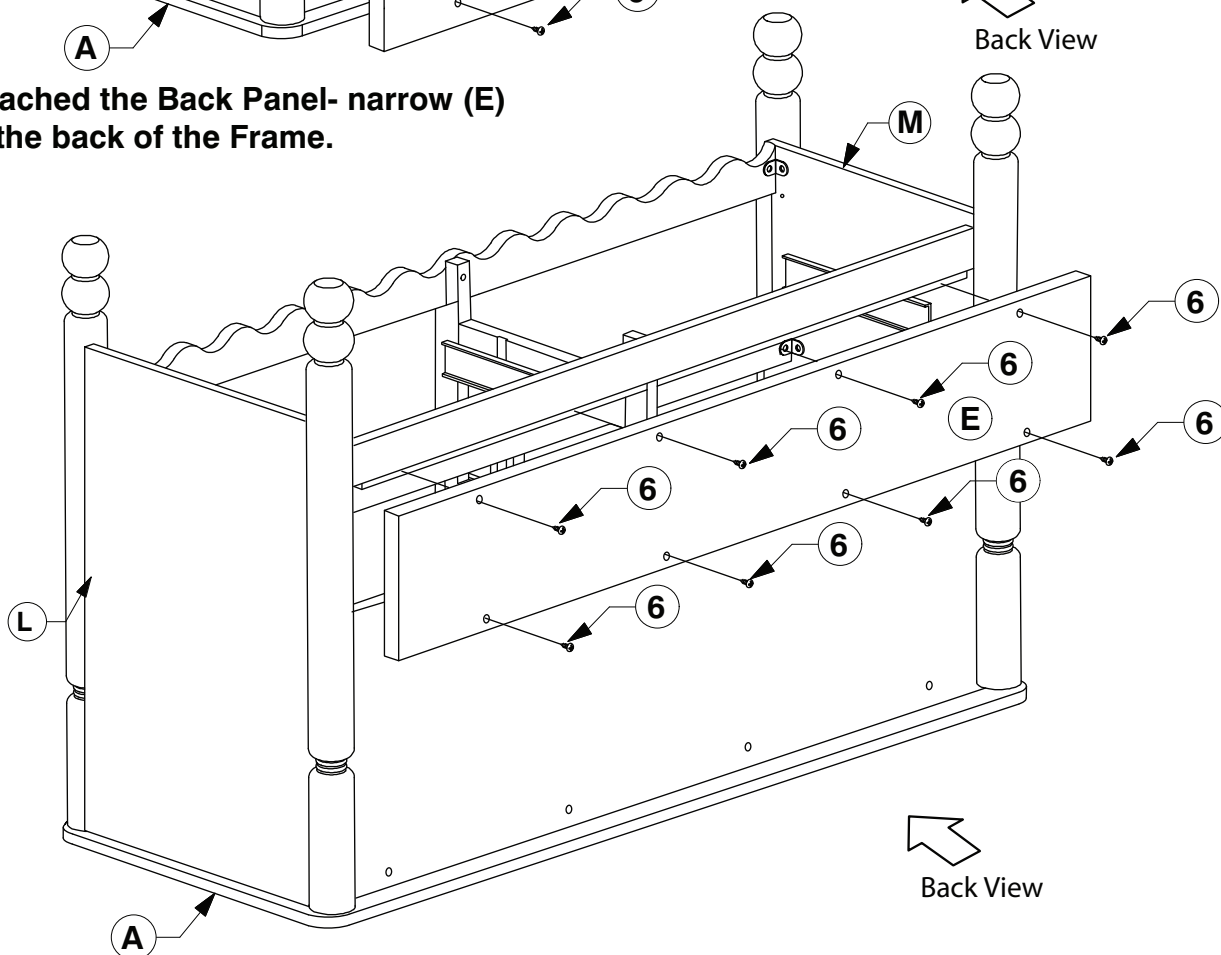
Assembly Instructions

WI-1025

- 8** Attached the Back Panel- wider (B) to the back of the Frame.



- 9** Attached the Back Panel- narrow (E) to the back of the Frame.



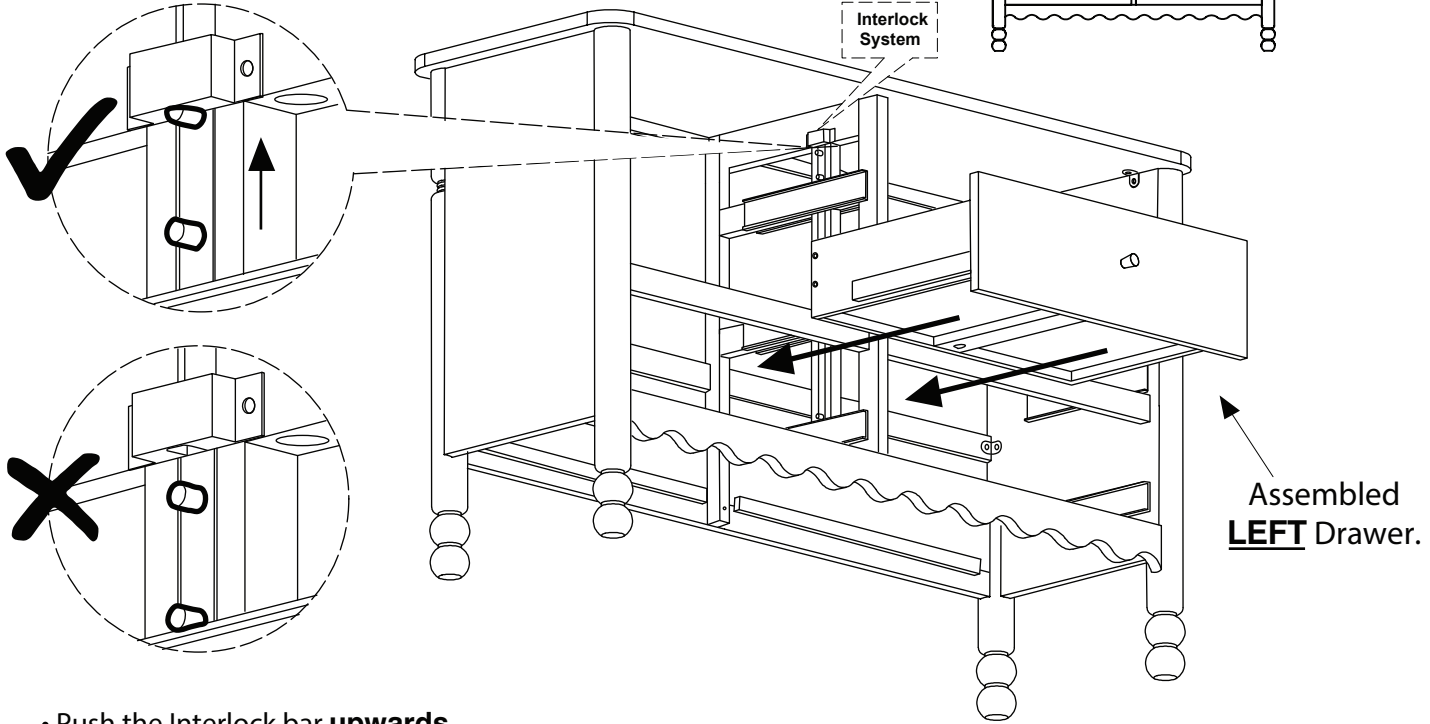
9022 6 Drawer Dresser

Assembly Instructions

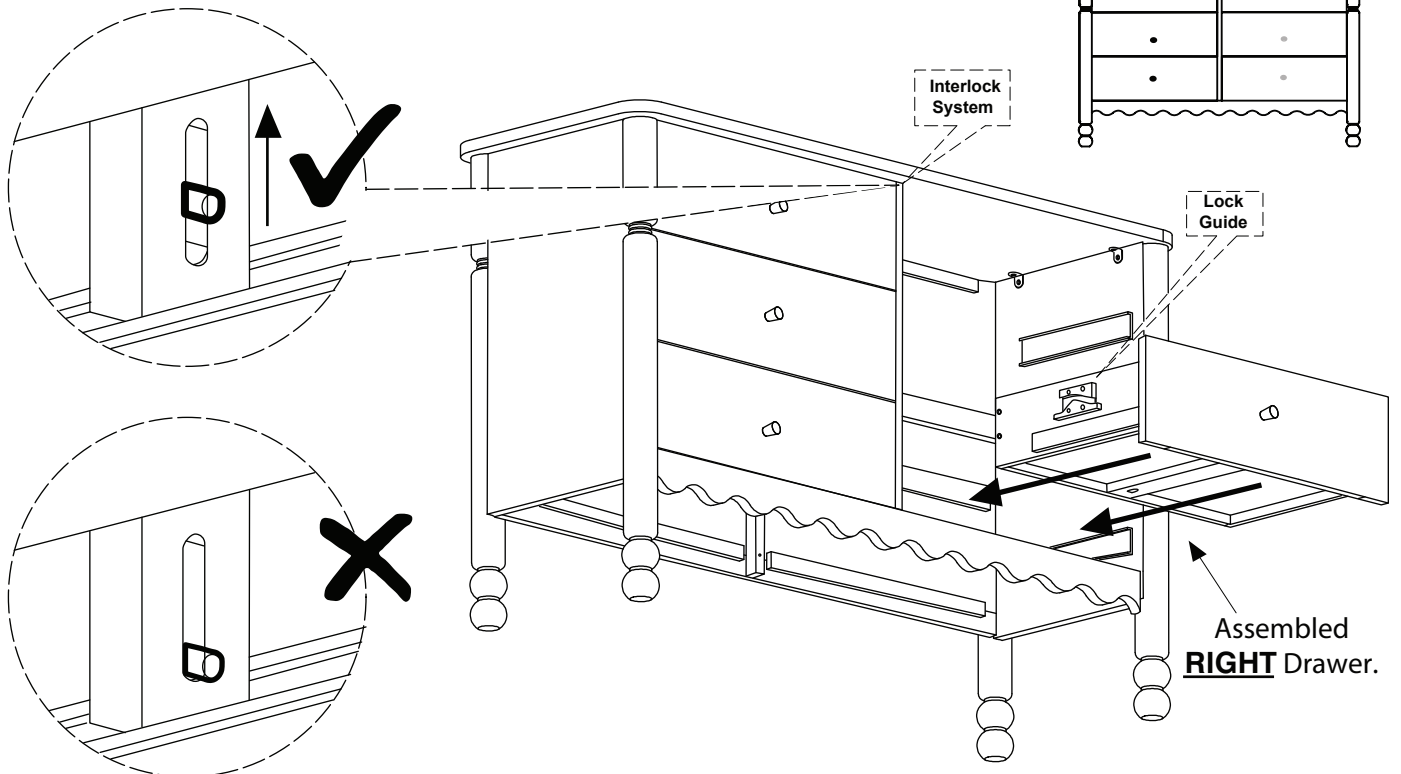
WI-1025

10 Install the Drawers.

- Push the Interlock bar **upwards** before inserting the drawers.



- Push the Interlock bar **upwards** before inserting the drawers.



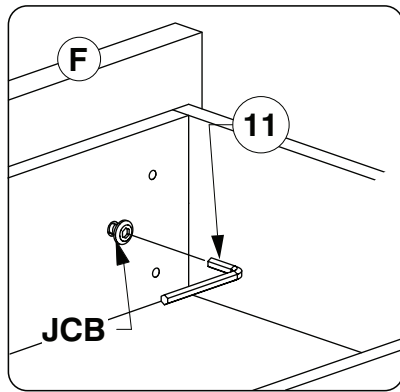
9022 6 Drawer Dresser

Assembly Instructions

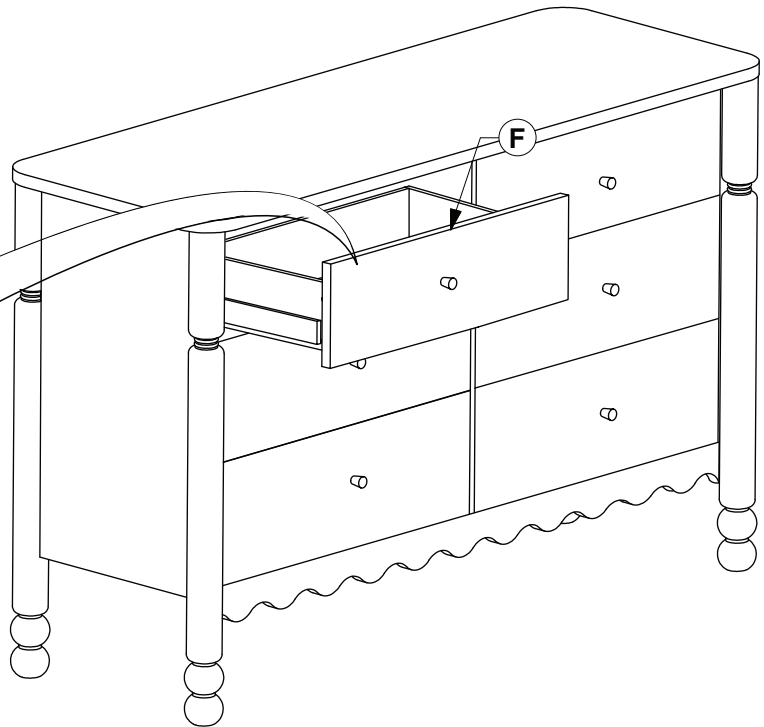
WI-1025

11 Adjust the Drawer Face (F).

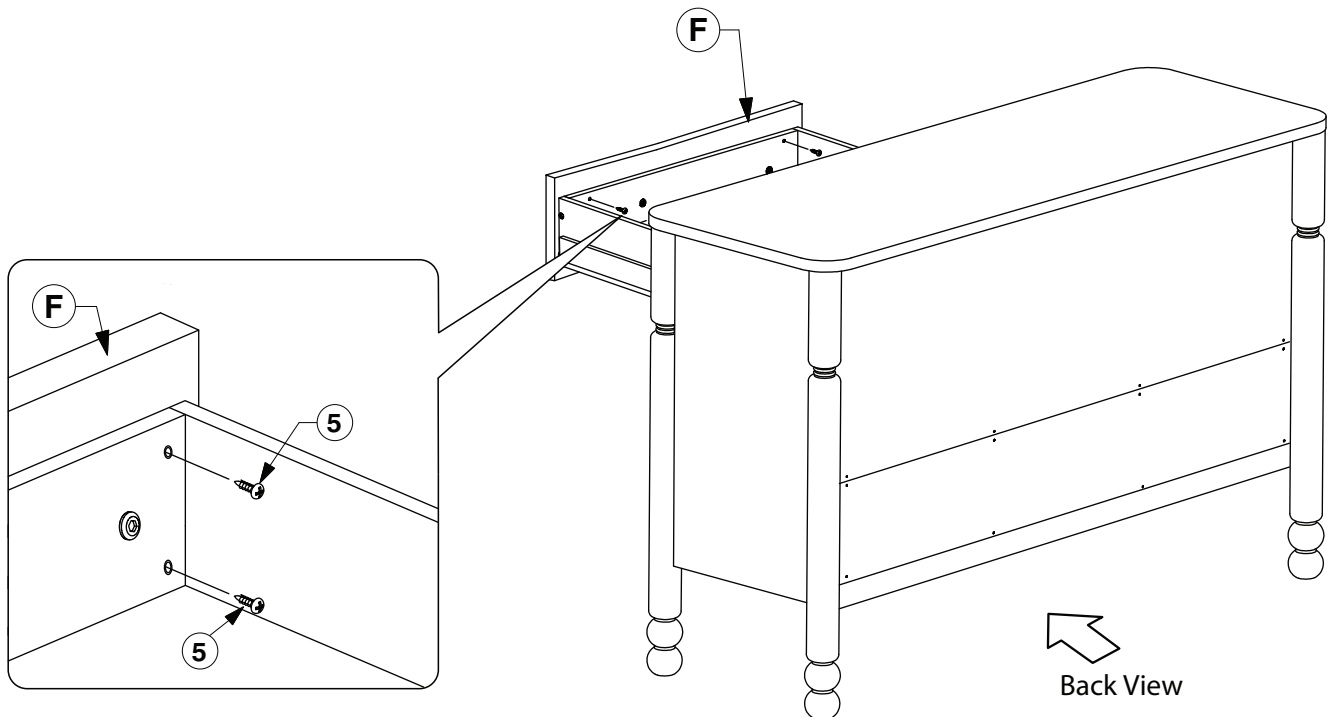
* NOTE: Before fitting the Wood Screws .
Losen the JCBs on the Drawer Face if
the face needs alignment.



* NOTE: Only one Drawer can be open
at a time.



12 After the Drawer Faces (F) are aligned, secure with wood screws.



* NOTE: Only one Drawer can be open
at a time.

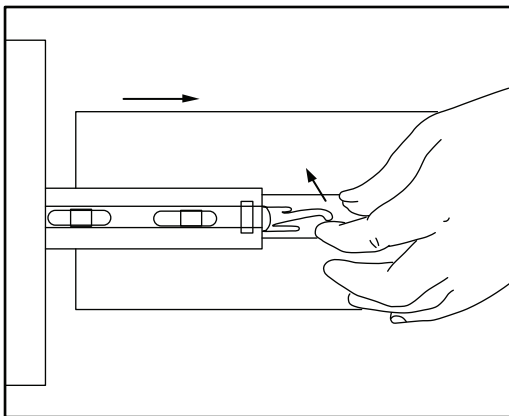
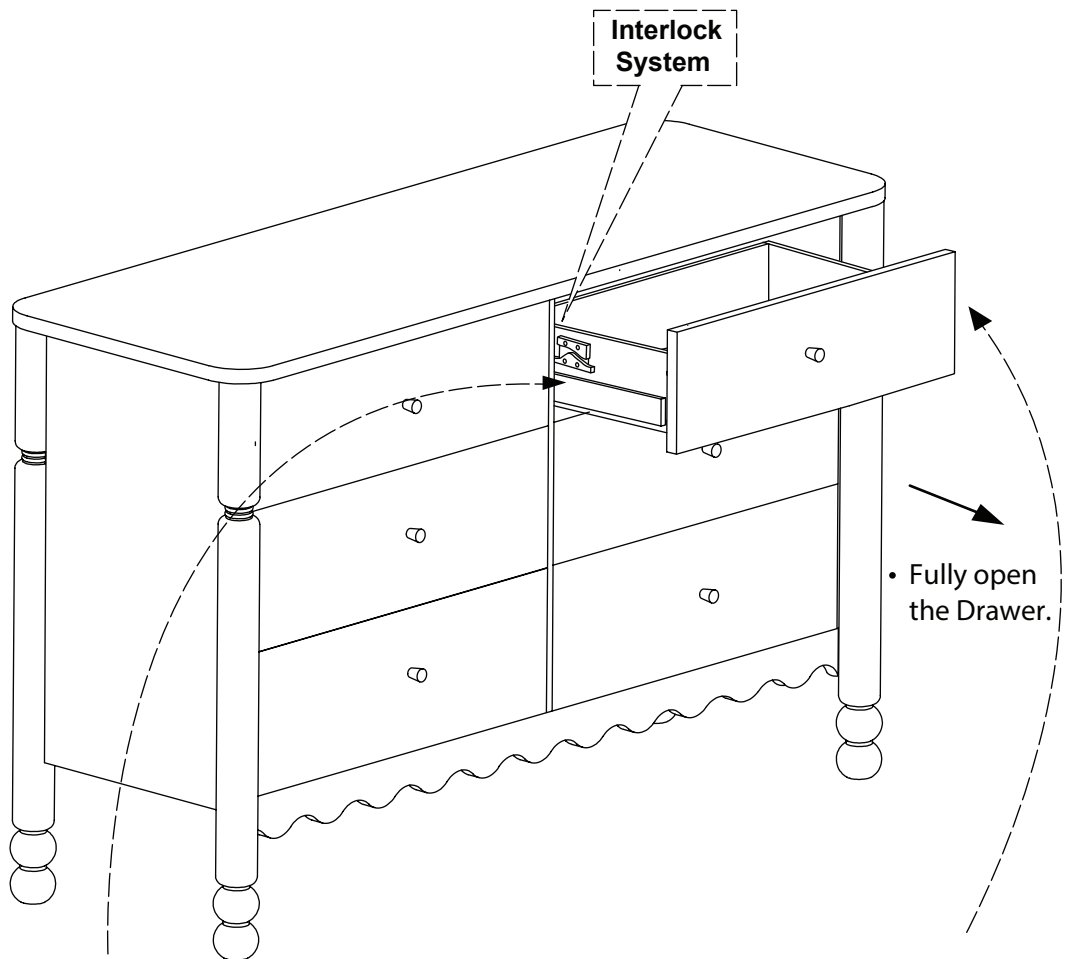
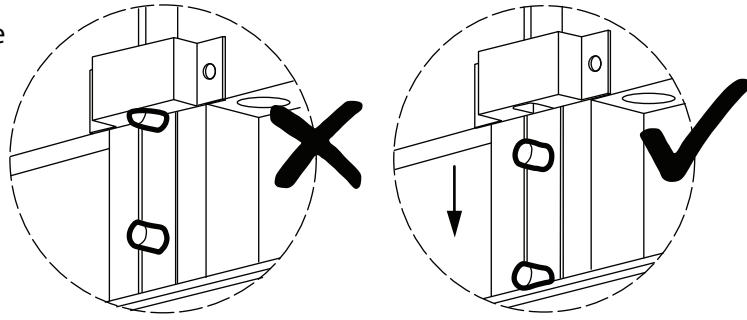
9022 6 Drawer Dresser

Assembly Instructions

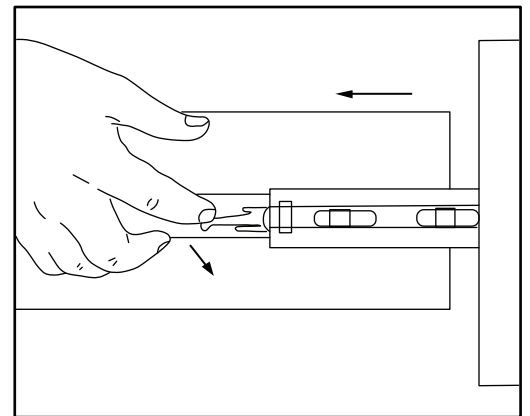
WI-1025

13 Remove the Drawers.

- After removing the top drawer, push the interlock bar **down**. Then remove the lower drawers.



- Lift the **LEFT** side clip up.

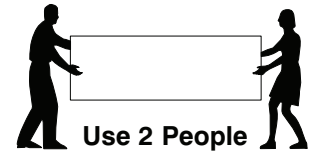
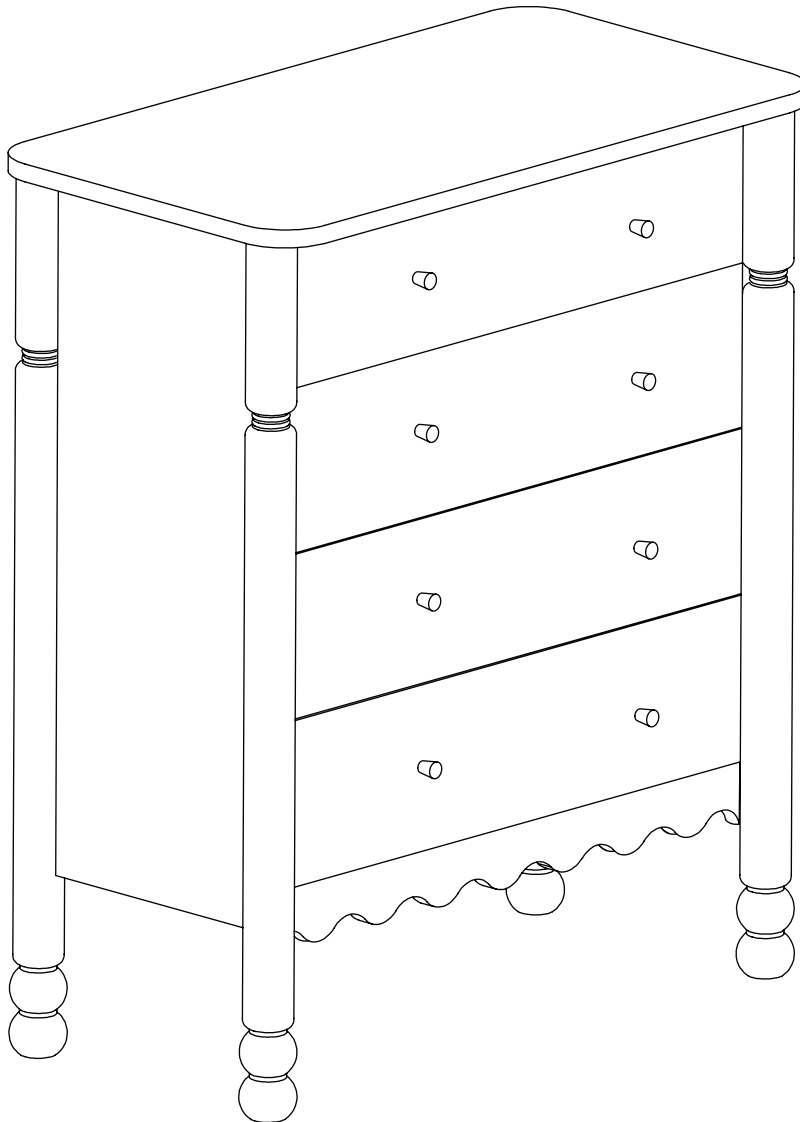


- Push the **RIGHT** side clip down.

9022 4 Drawer Chest

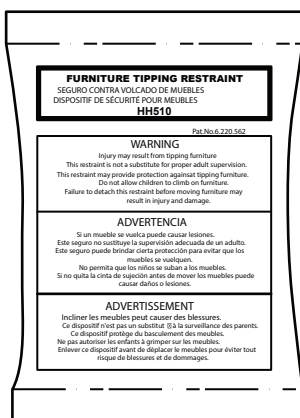
Assembly Instructions

WI-1025



Note: Do not assemble using power tools. This can cause the bolts to be overtightened

WARNING



Anti Tipping Kit
Anti Tipping Kit x 1



Children have died from furniture tipover.

To reduce the risk of furniture tipover:

- ALWAYS install anti-tip device provided.
- NEVER put a TV on this product.
- NEVER allow children to stand, climb, or hang on any drawers, doors or shelves.
- NEVER open more than one drawer at a time.
- DO NOT defeat or remove the drawer interlock system; it is an important stability and safety system.
- Place heaviest items in the lowest drawer.

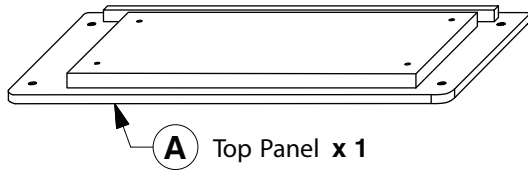
9022 4 Drawer Chest

Assembly Instructions

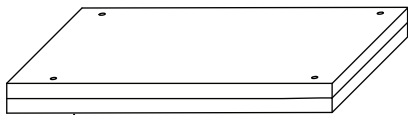
WI-1025

1 Parts List

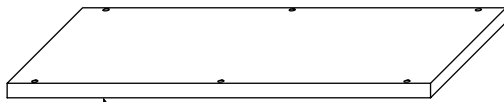
Parts in Box A:



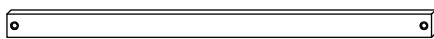
A Top Panel x 1



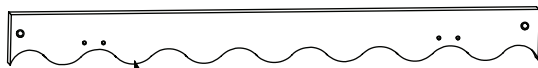
B Bottom Panel x 1



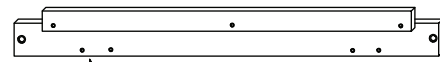
C Back Panel x 2



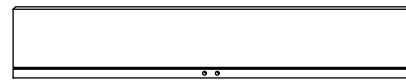
D Upper Support Bar x 2



E Bottom Front Support Bar x 1



F Bottom Rear Support Bar x 1



G Drawer Back x 4



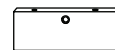
H Drawer Bottom x 4



J Drawer Face x 4

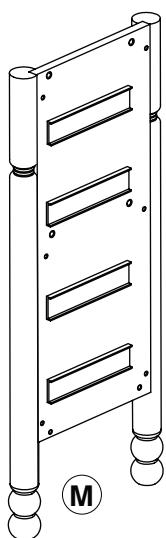


K Drawer Rail x 4

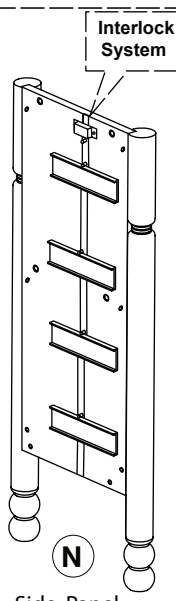


L Bottom Support x 4

Parts in Box B:

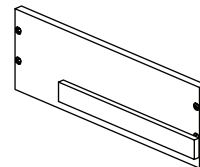


M Side Panel (Left Hand) x 1

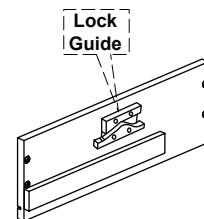


N Side Panel (Right Hand) x 1

O Drawer Side (Left Hand) x 4



P Drawer Side (Right Hand) x 4

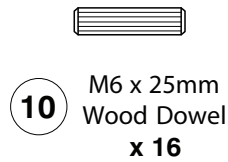
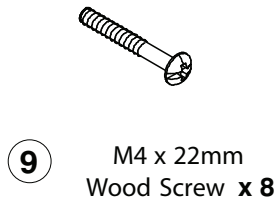
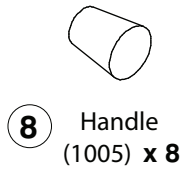
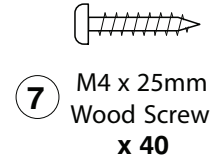
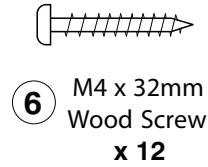
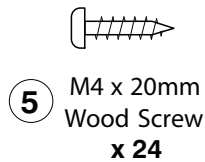
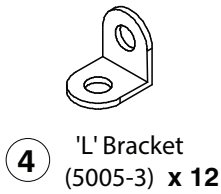
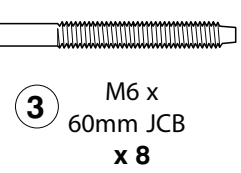
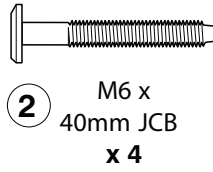
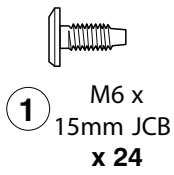


9022 4 Drawer Chest

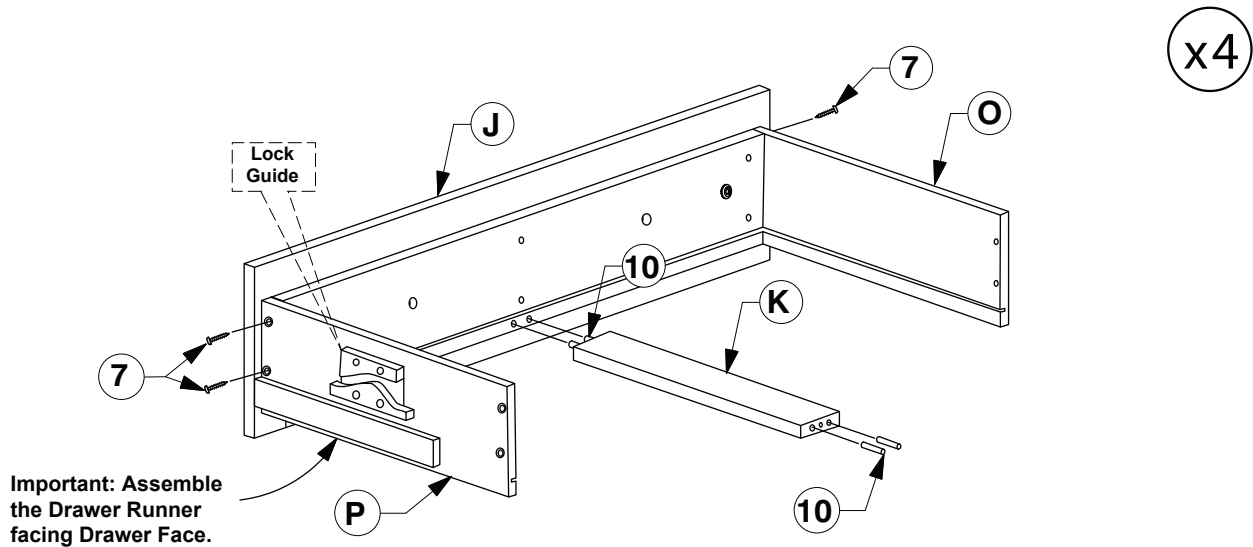
Assembly Instructions

WI-1025

2 Hardware List



3 Assemble the Drawer Sides (O & P) & Drawer Rail (K) to the Drawer Face (J).



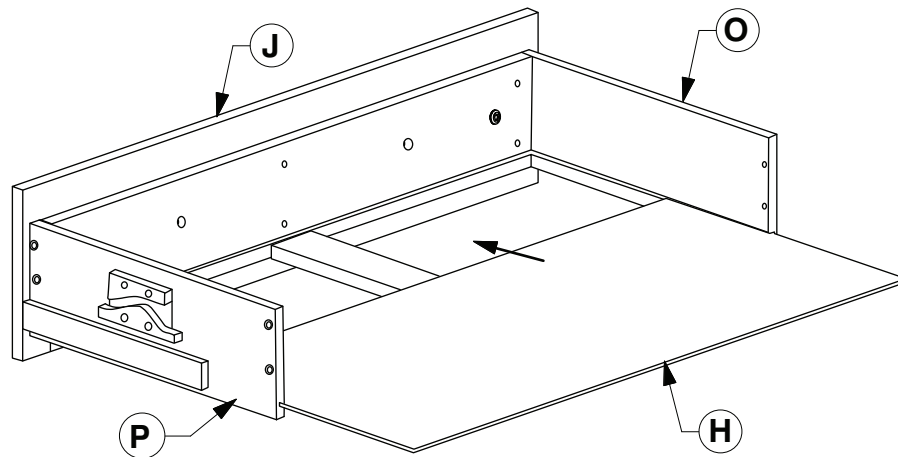
9022 4 Drawer Chest

Assembly Instructions

WI-1025

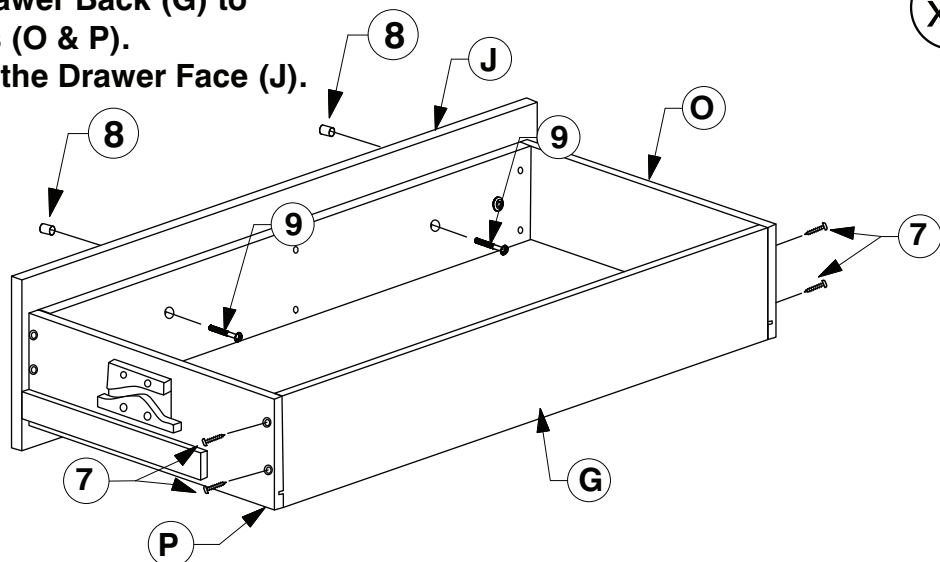
- 4** Slide the Drawer Bottom (H) into the groove on the Drawer Sides (O & P).

x4



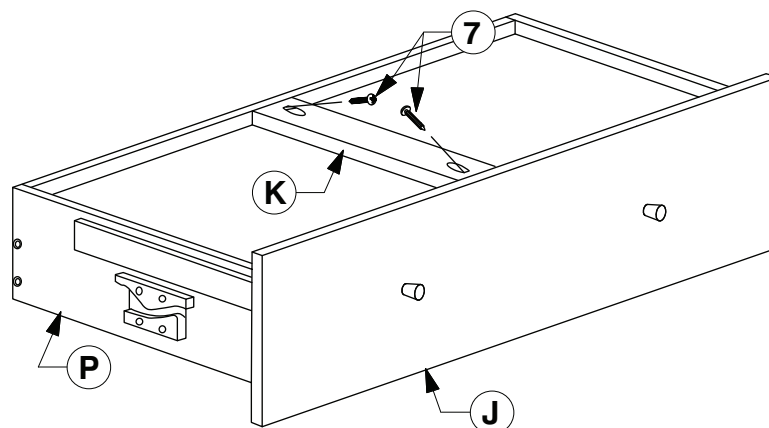
- 5** Assemble the Drawer Back (G) to the Drawer Sides (O & P). Fit the Handle to the Drawer Face (J).

x4



- 6** Turn the Drawer over to fit angled 25mm Wood screws (7) to the Drawer Rail (K).

x4

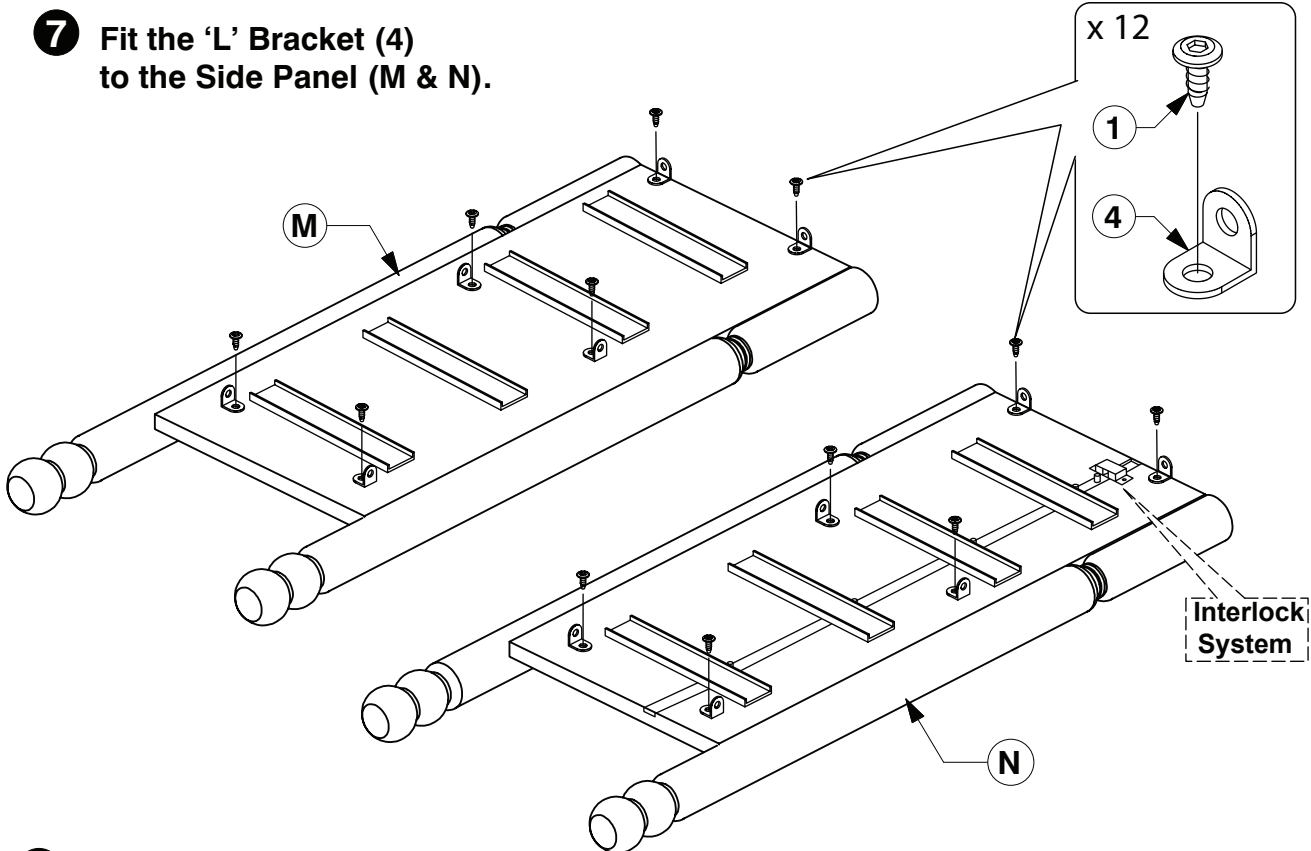


9022 4 Drawer Chest

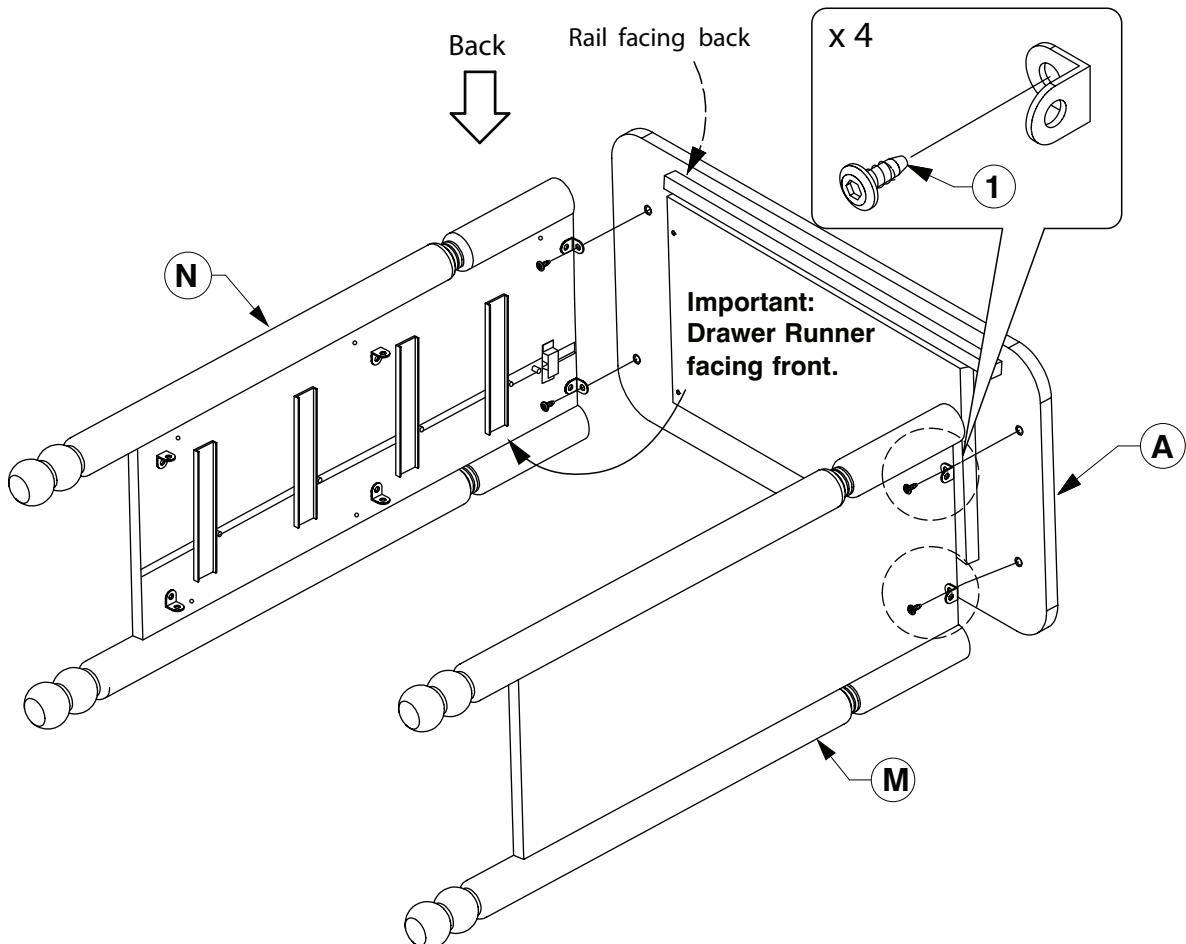
Assembly Instructions

WI-1025

- 7** Fit the 'L' Bracket (4) to the Side Panel (M & N).



- 8** Assembled the Top Panel (A) to the Side Panel (M & N).

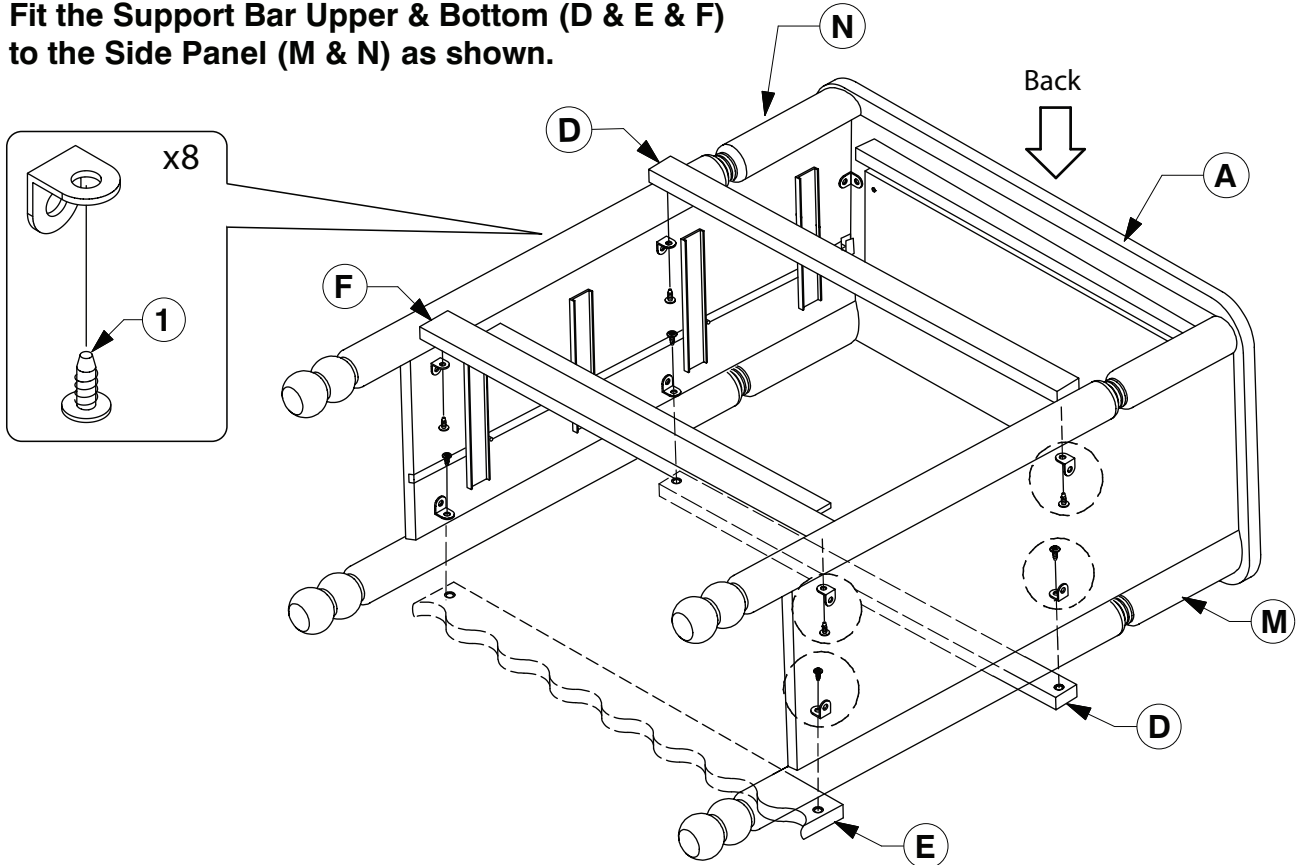


9022 4 Drawer Chest

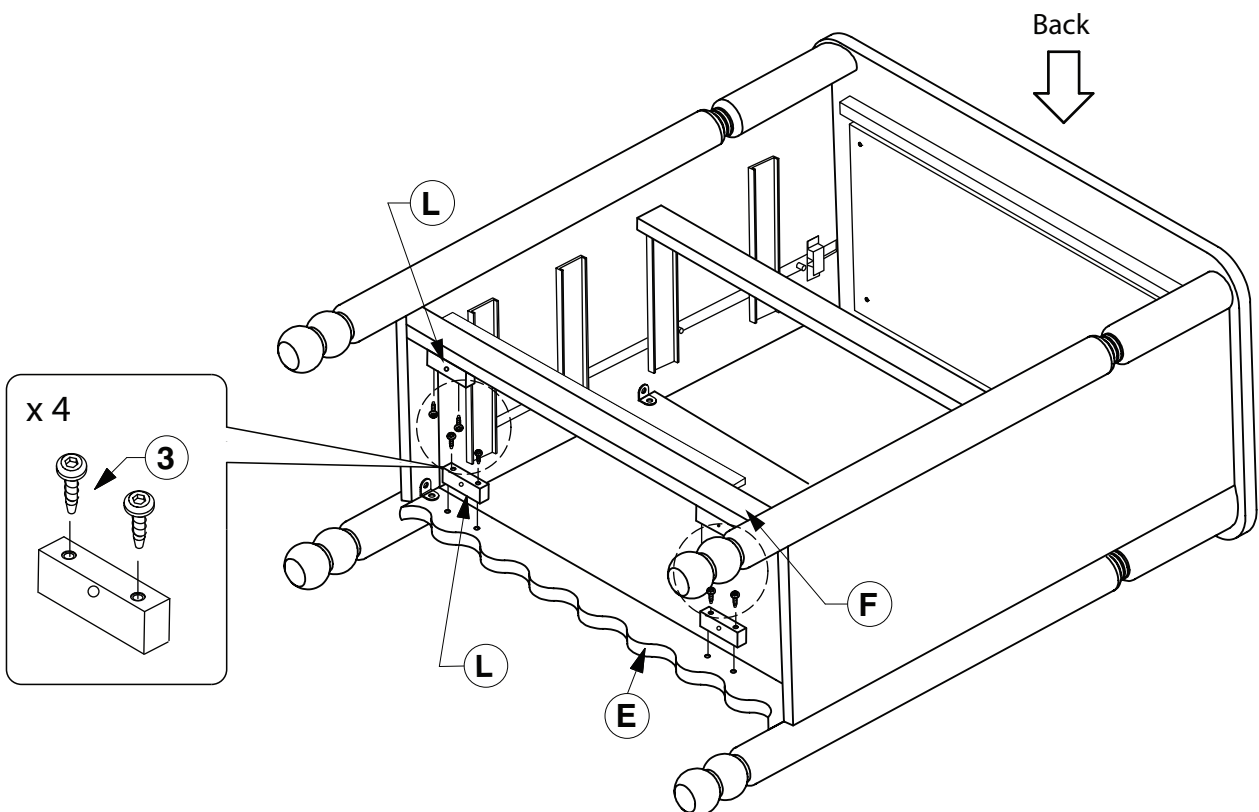
Assembly Instructions

WI-1025

- 9** Fit the Support Bar Upper & Bottom (D & E & F) to the Side Panel (M & N) as shown.



- 10** Assembled the Bottom Support (L) to the Bottom Front & Rear Support Bar (E & F) as shown.

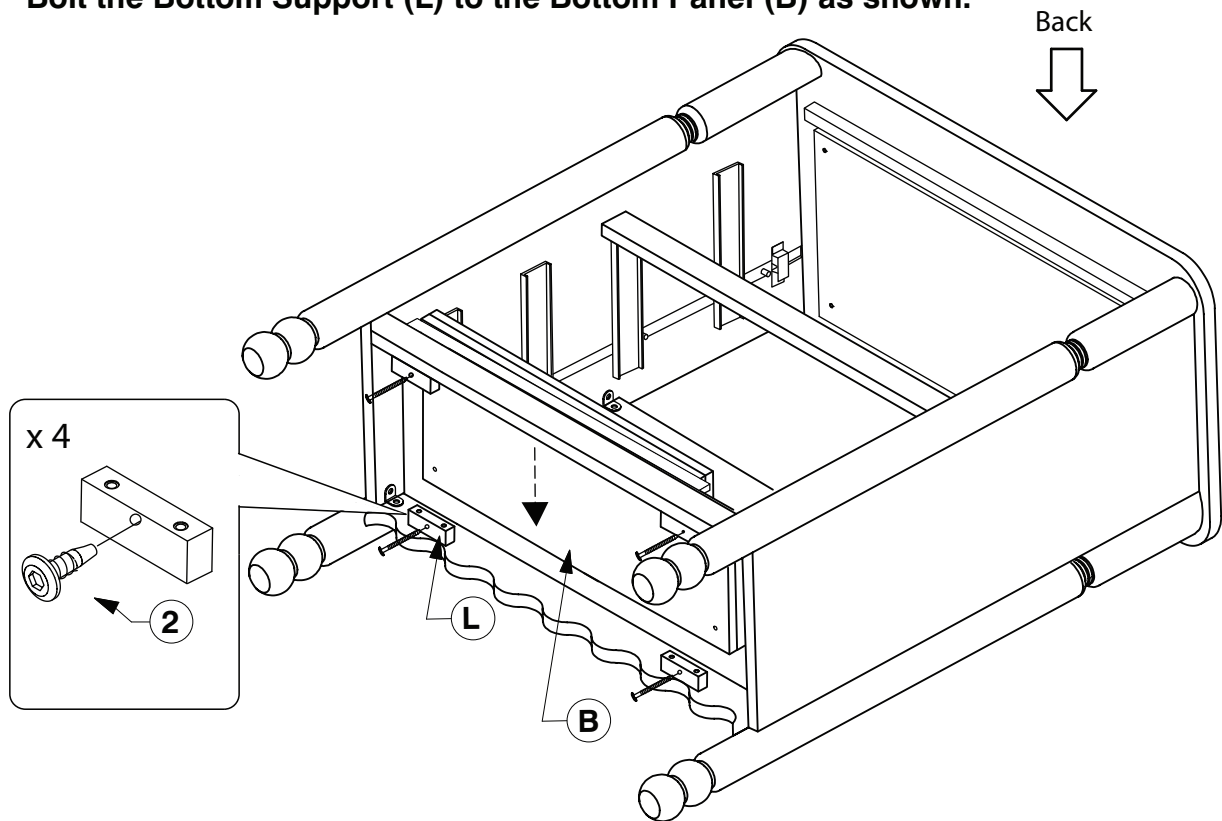


9022 4 Drawer Chest

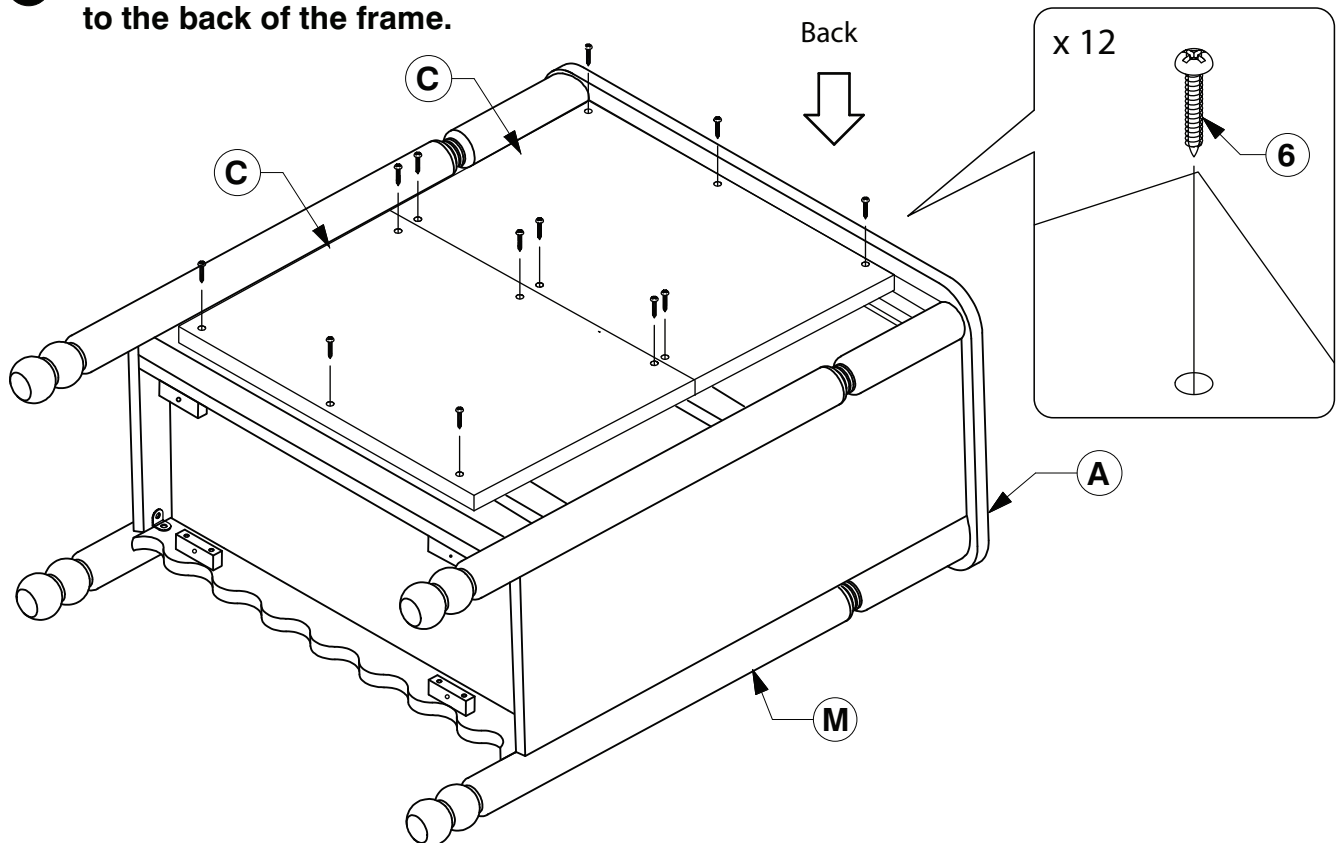
Assembly Instructions

WI-1025

- 11** Bolt the Bottom Support (L) to the Bottom Panel (B) as shown.



- 12** Attached the Back Panel (C) to the back of the frame.



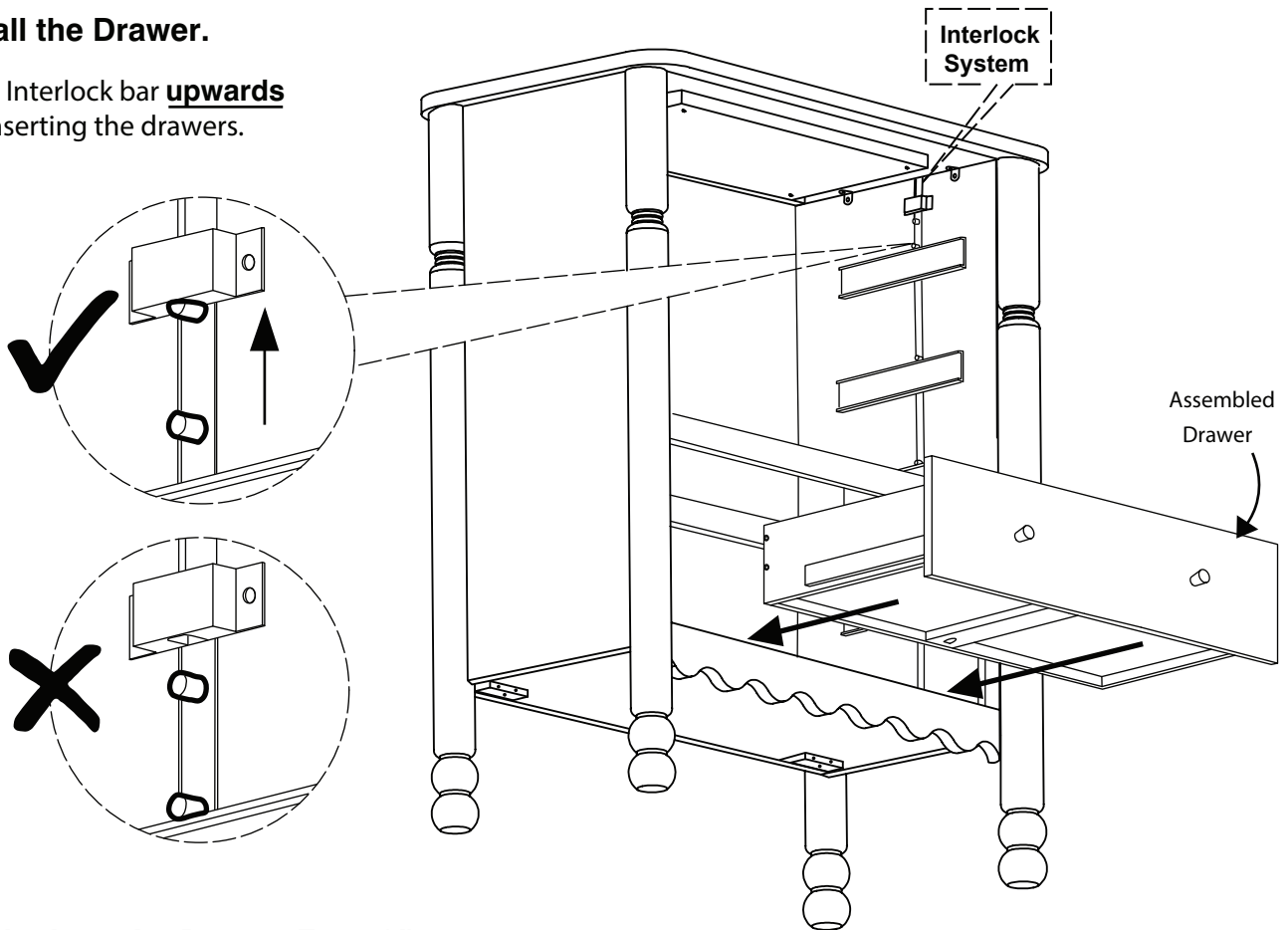
9022 4 Drawer Chest

Assembly Instructions

WI-1025

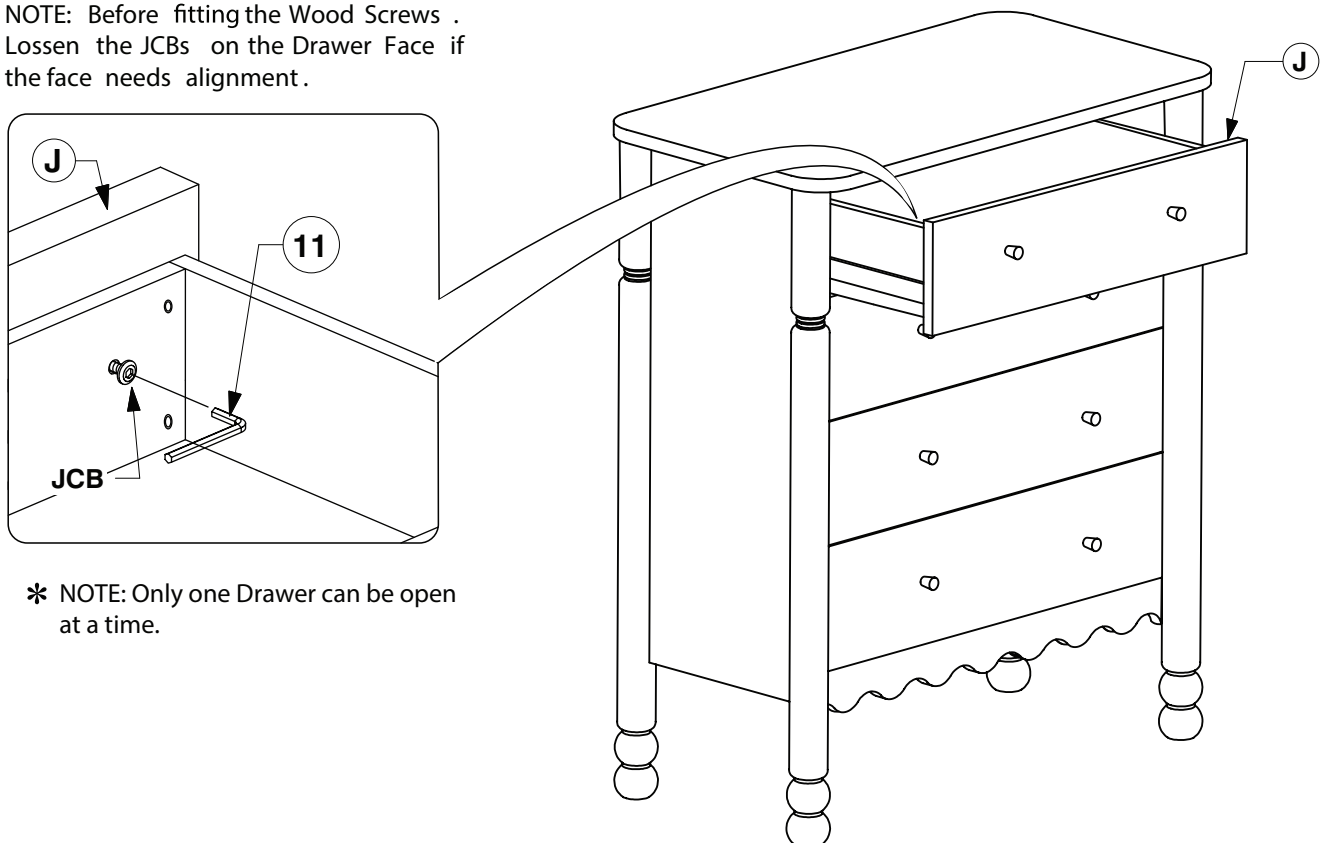
13 Install the Drawer.

- Push the Interlock bar **upwards** before inserting the drawers.



14 Fit and adjust the Drawer Face (J).

- * NOTE: Before fitting the Wood Screws .
Losen the JCBs on the Drawer Face if the face needs alignment.



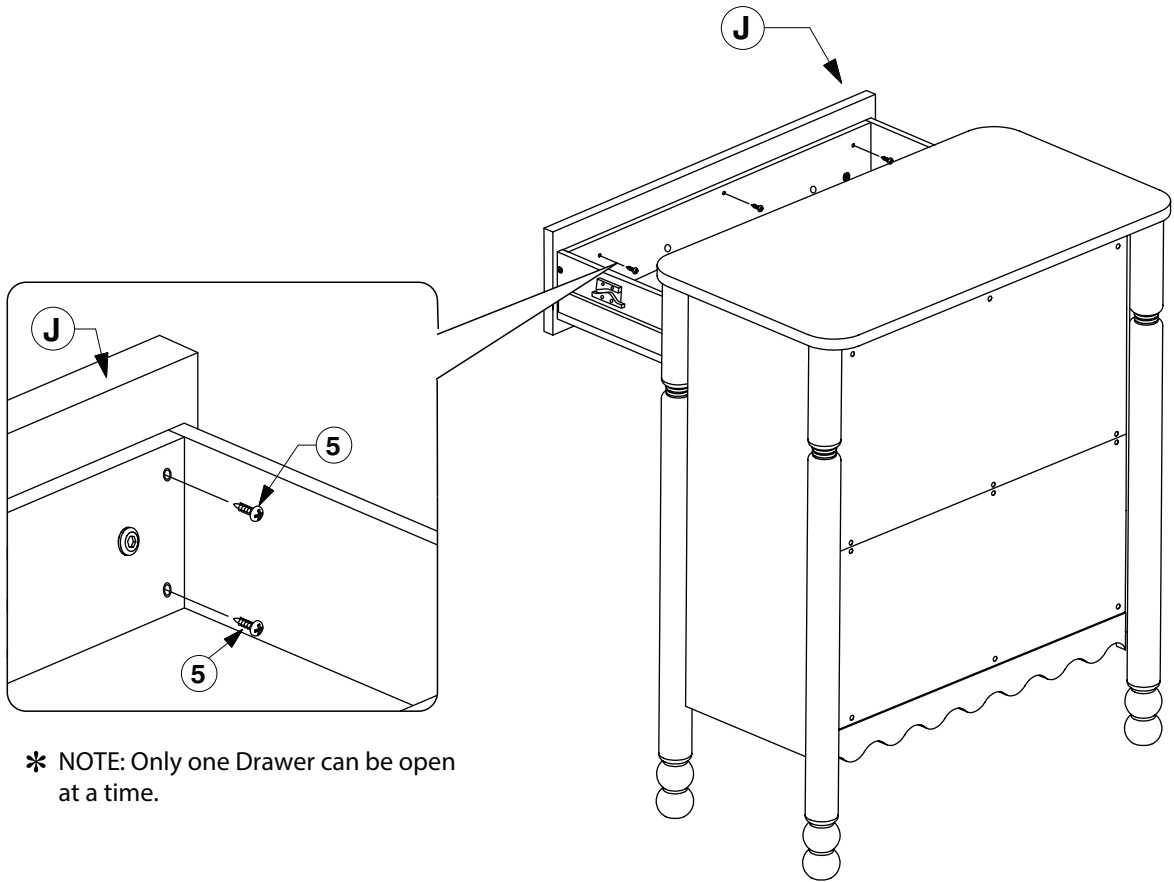
- * NOTE: Only one Drawer can be open at a time.

9022 4 Drawer Chest

Assembly Instructions

WI-1025

- 15** After the Drawer Faces (J) are aligned, secure with wood screws.



* NOTE: Only one Drawer can be open at a time.

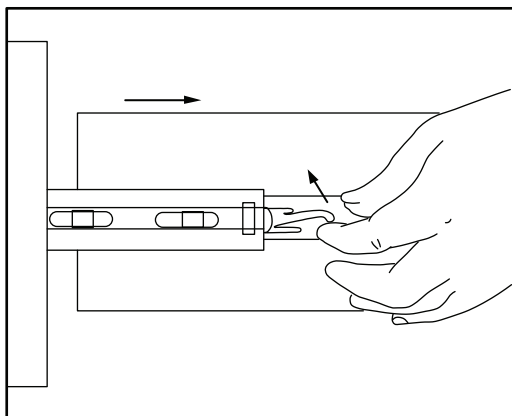
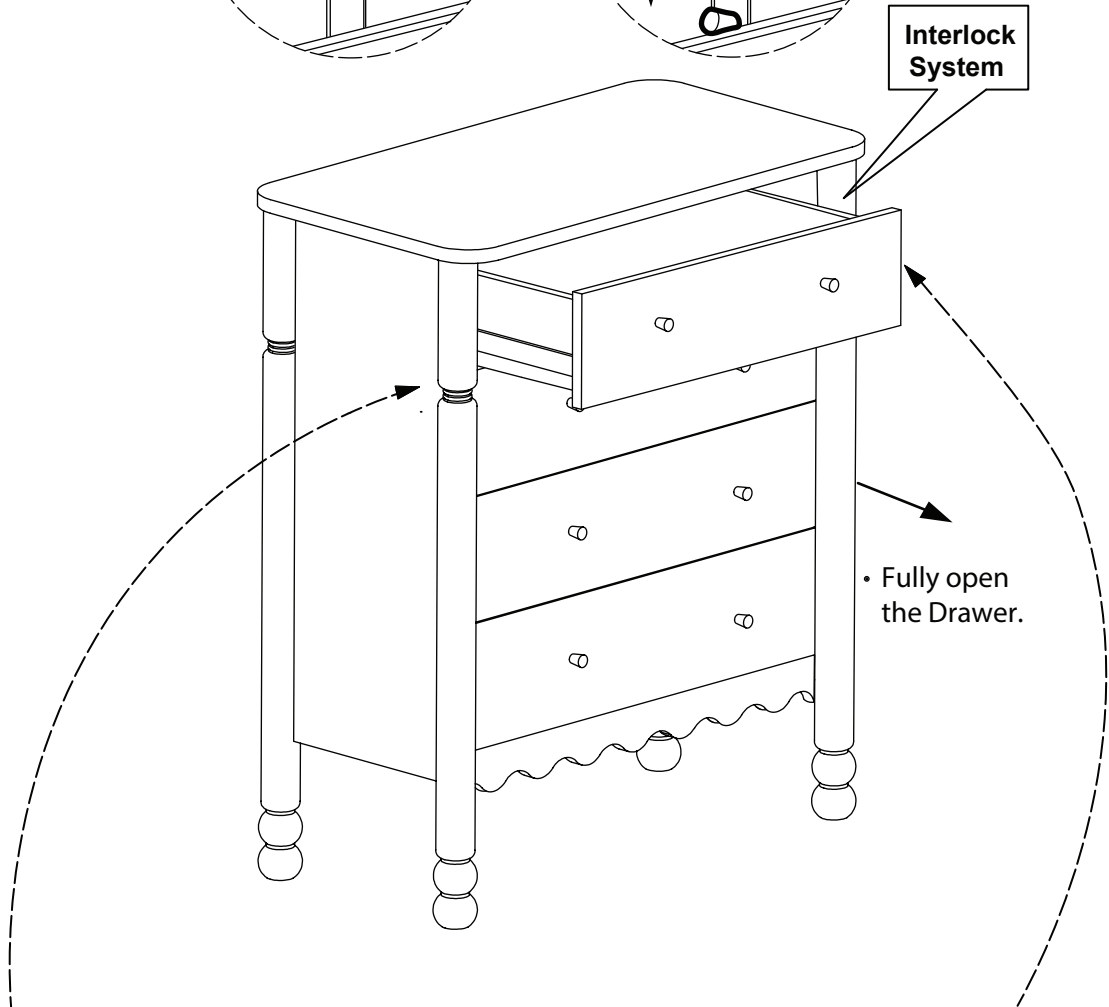
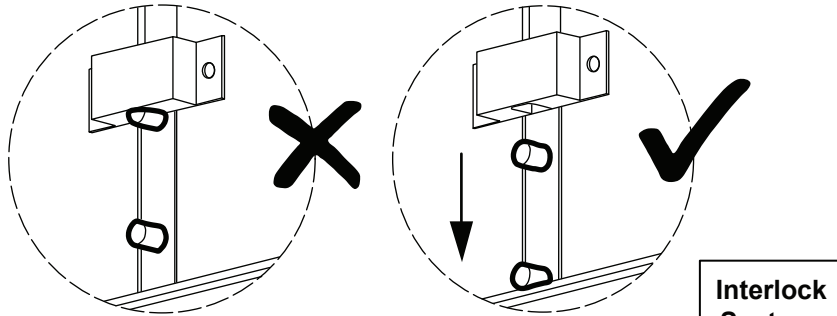
9022 4 Drawer Chest

Assembly Instructions

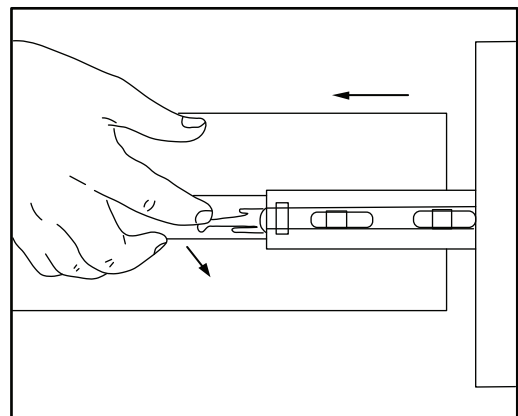
WI-1025

16 Remove the Drawers.

- After removing the top drawer, push the interlock bar **down**. Then remove the lower drawers.



- Lift the **LEFT** side clip **up**.

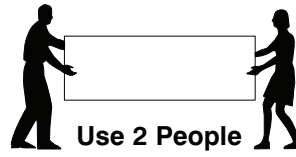
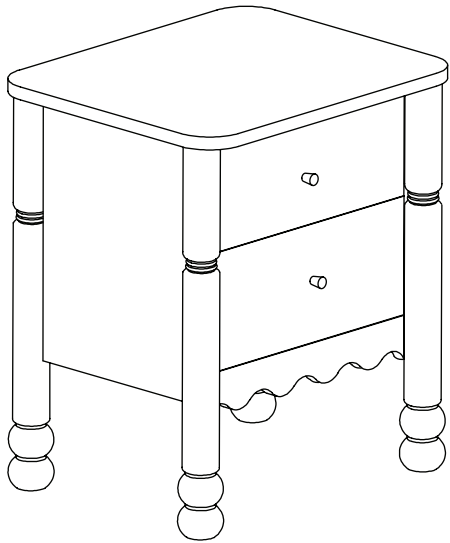


- Push the **RIGHT** side clip **down**.

9022 2 Drawer Night Stand

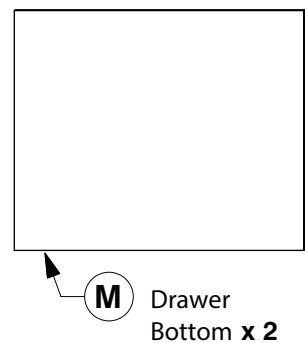
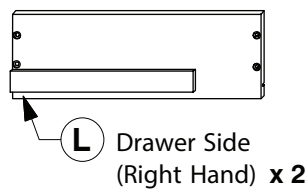
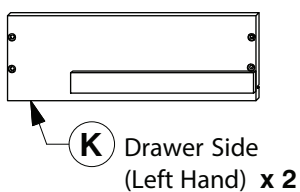
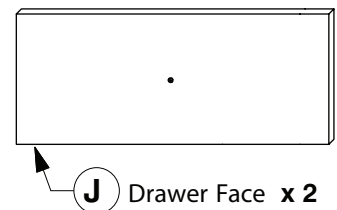
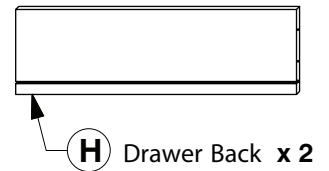
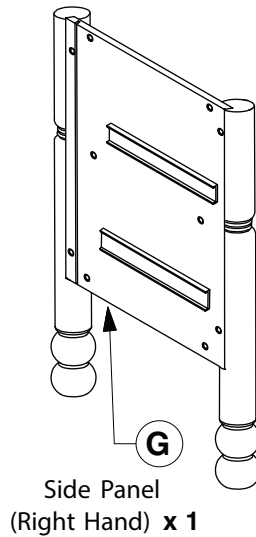
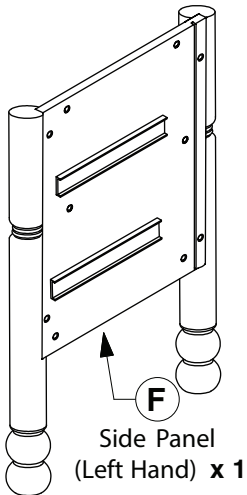
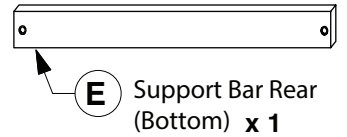
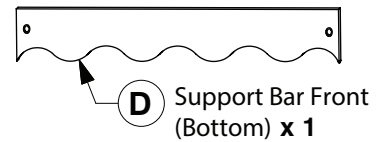
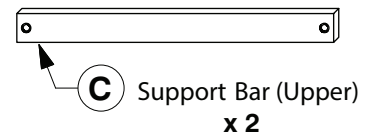
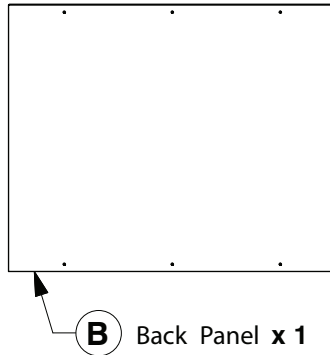
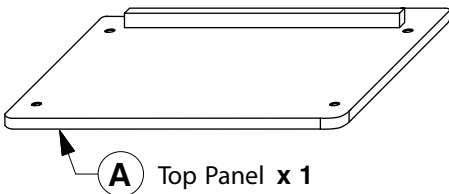
Assembly Instructions

WI-1025



Note: Do not assemble using power tools. This can cause the bolts to be overtightened

1 Parts List


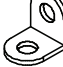
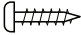
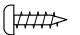
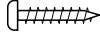
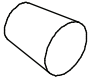
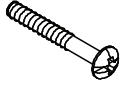



9022 2 Drawer Night Stand

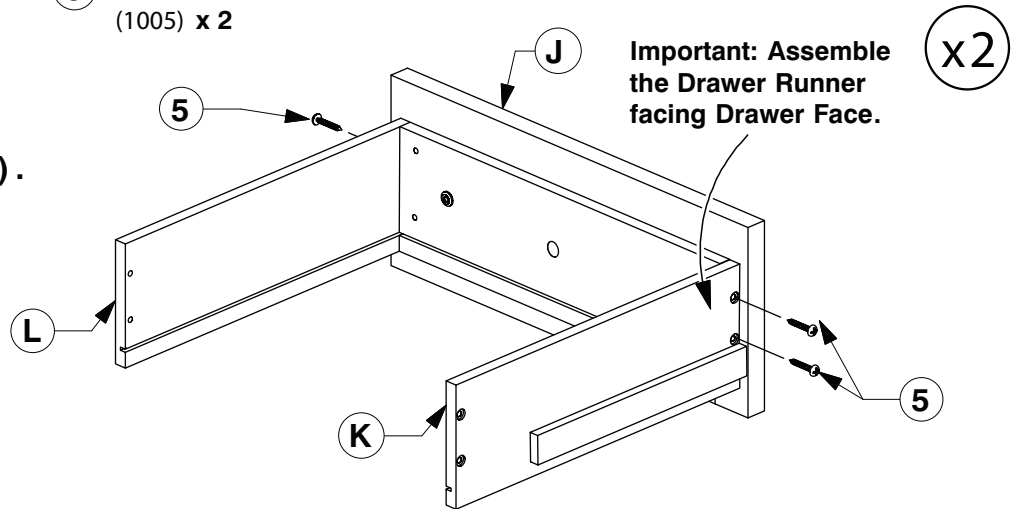
Assembly Instructions

WI-1025

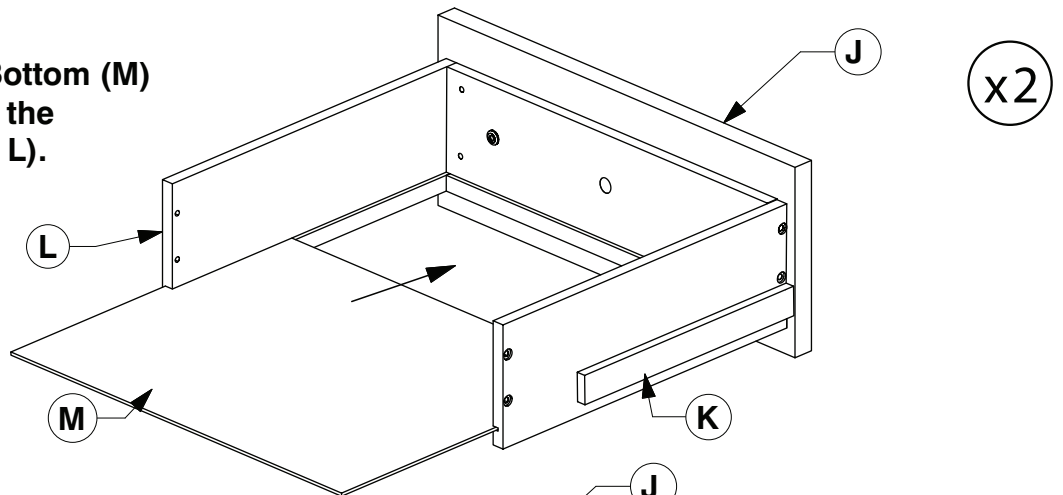
2 Hardware List

- | | | | |
|---|---|--|--|
| 
① M6 x 15mm
JCB x 24 | 
② 'L' Bracket
(5005-3) x 12 | 
③ M4 x 20mm
Wood Screw x 8 | 
④ M4 x 16mm
Wood Screw x 6 |
| 
⑤ M4 x 25mm
Wood Screw x 16 | 
⑥ Handle
(1005) x 2 | 
⑦ M4 x 22mm
Wood Screw x 2 | 
⑧ Allen Key
x 1 |

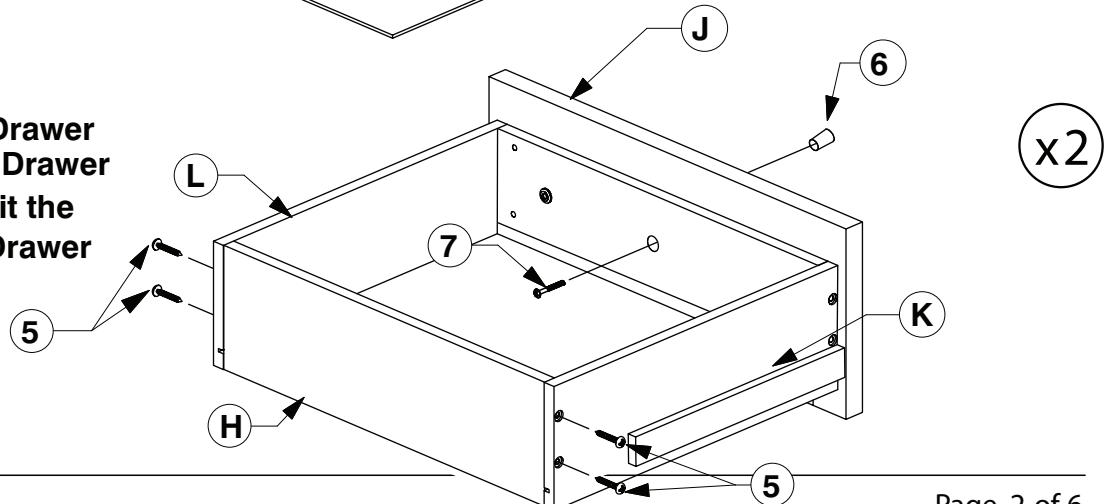
3 Assemble the Drawer Sides (K & L) to the Drawer Face (J).



4 Slide the Drawer Bottom (M) into the groove on the Drawer Sides (K & L).



5 Assemble the Drawer Back (H) to the Drawer Sides (K & L). Fit the Handle to the Drawer Face (J).

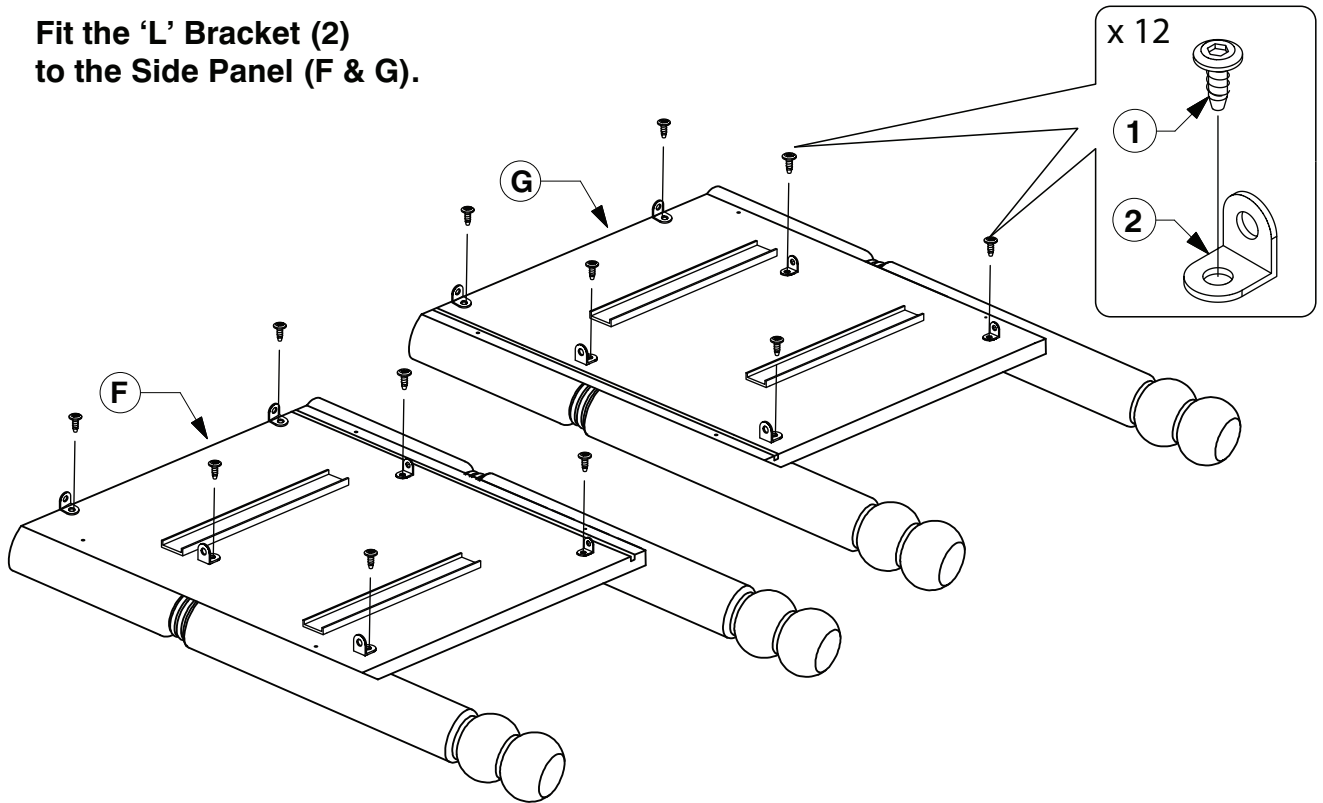


9022 2 Drawer Night Stand

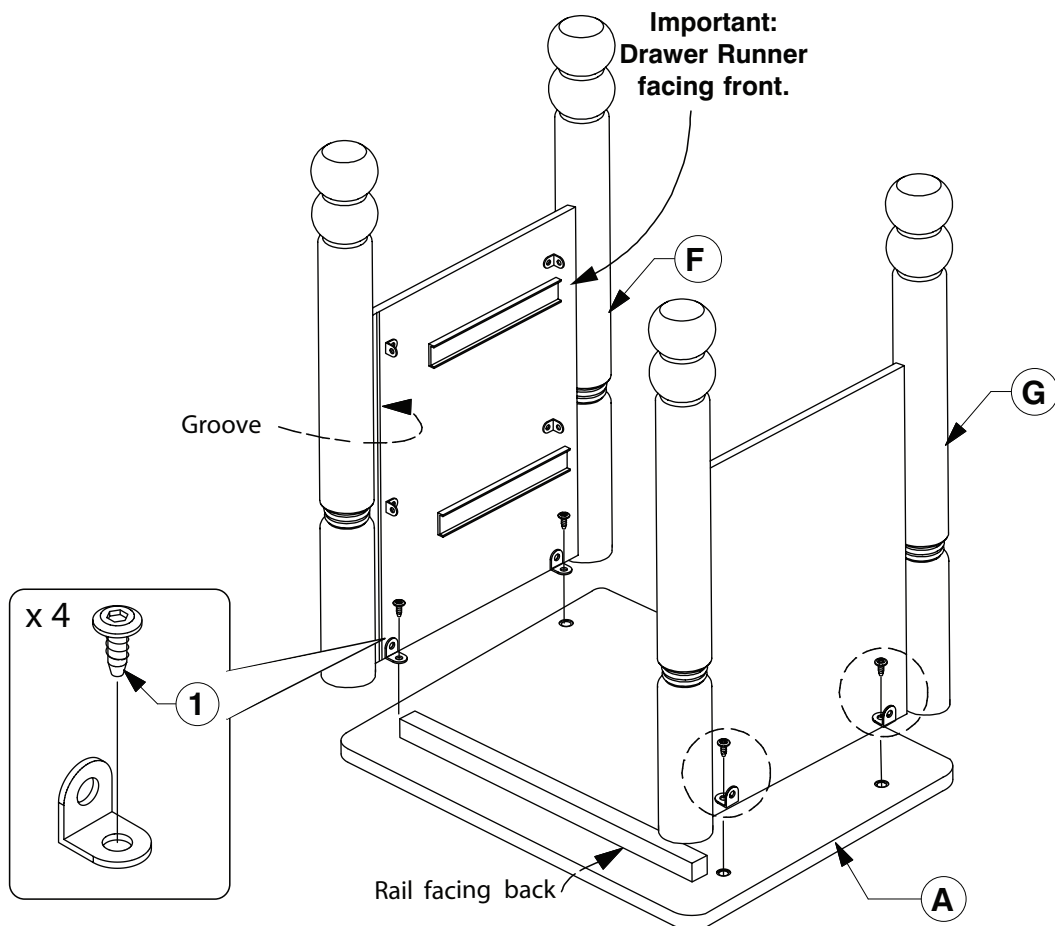
Assembly Instructions

WI-1025

- 6** Fit the 'L' Bracket (2) to the Side Panel (F & G).



- 7** Assemble the Side Panel (F & G) to the Top Panel (A).

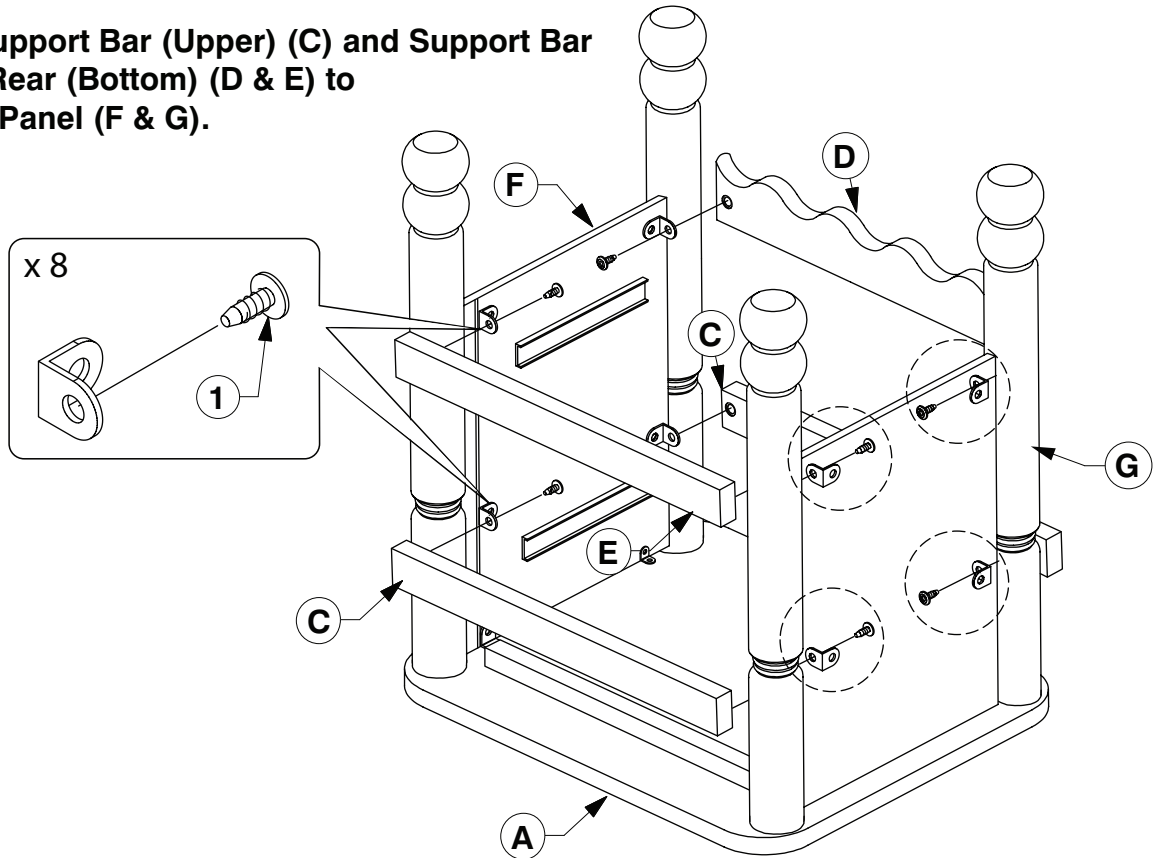


9022 2 Drawer Night Stand

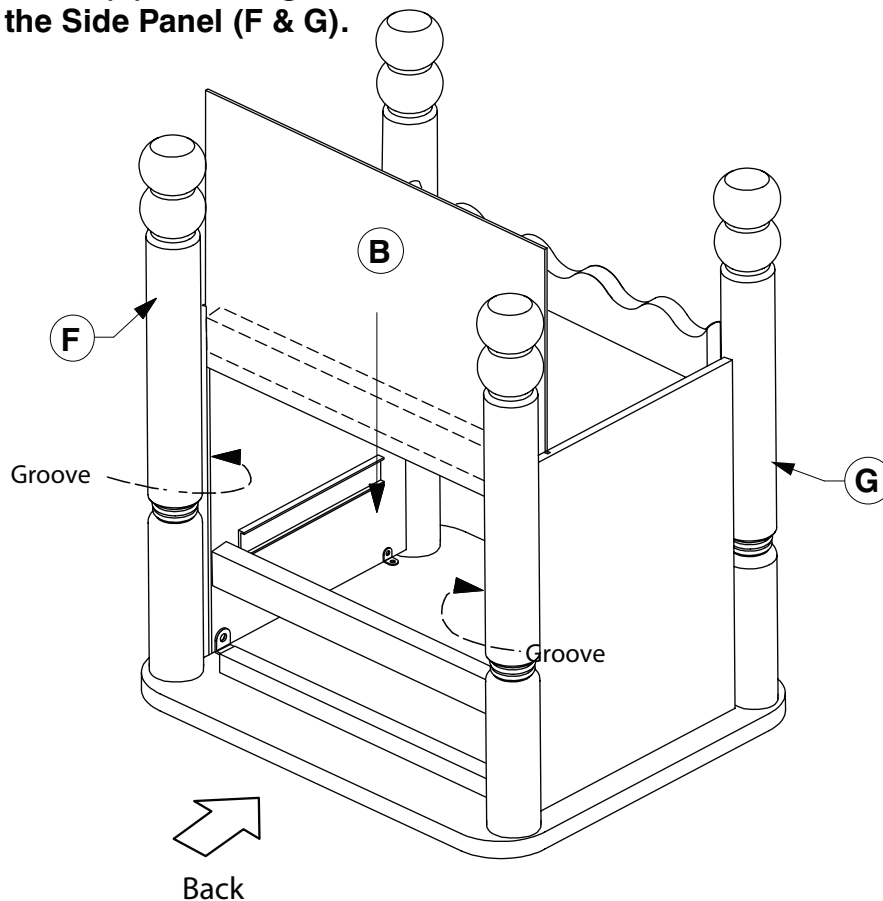
Assembly Instructions

WI-1025

- 8** Fit the Support Bar (Upper) (C) and Support Bar Front & Rear (Bottom) (D & E) to the Side Panel (F & G).



- 9** Slide the Back Panel (B) into the groove on the back of the Side Panel (F & G).

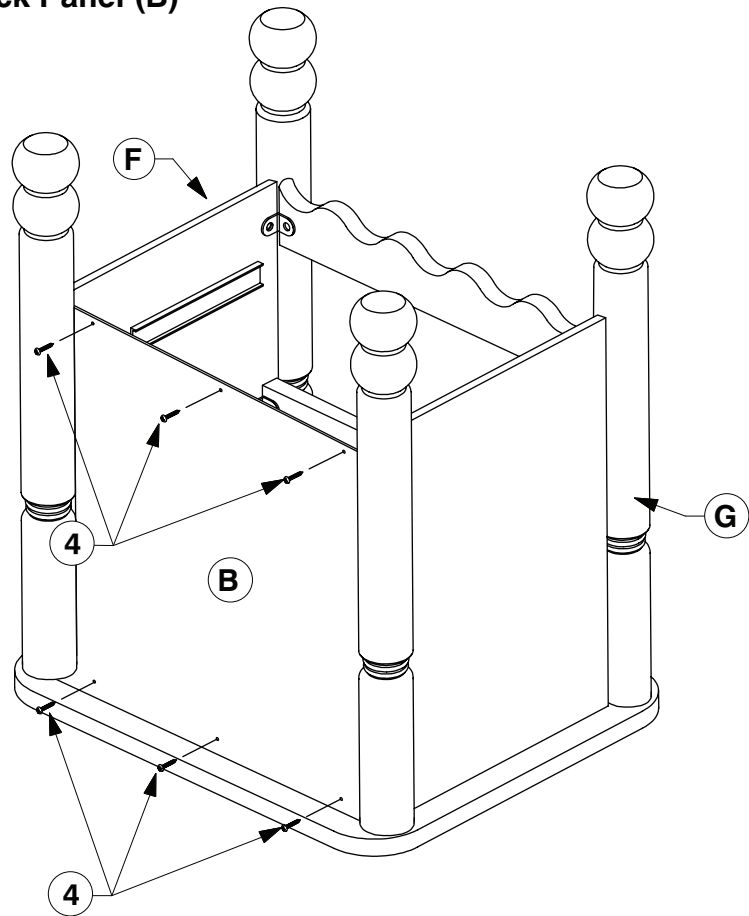


9022 2 Drawer Night Stand

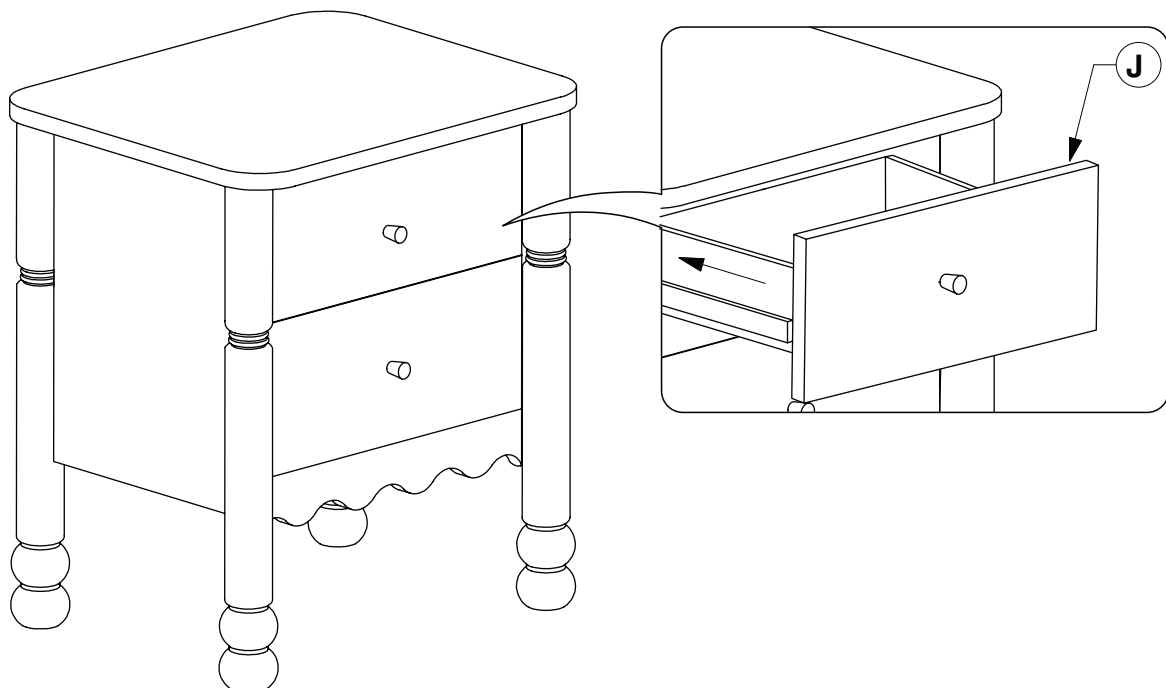
Assembly Instructions

WI-1025

- 10** Use Screw to tighten the Back Panel (B) to the back of frame.



- 11** Fix the Drawer Box to the casegood body.



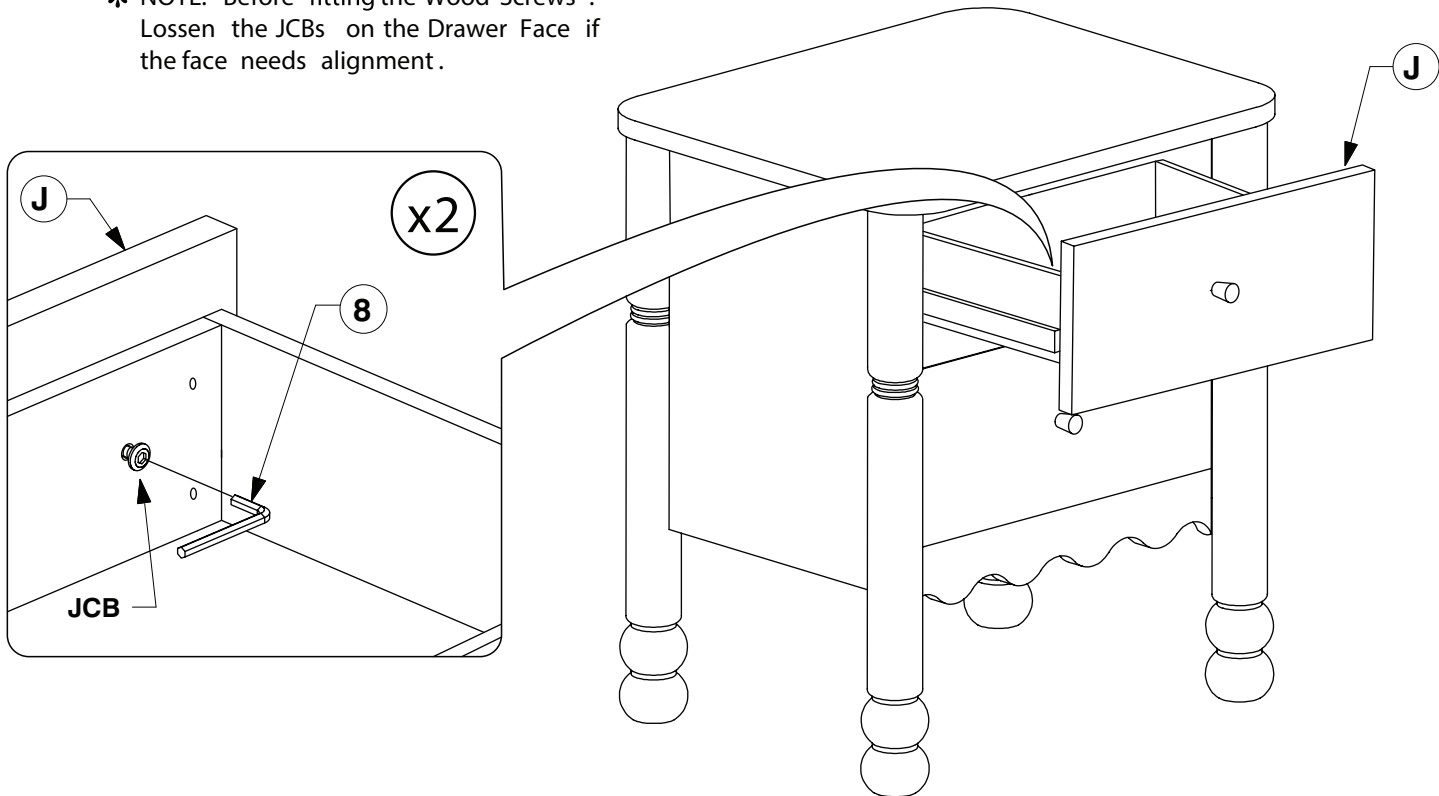
9022 2 Drawer Night Stand

Assembly Instructions

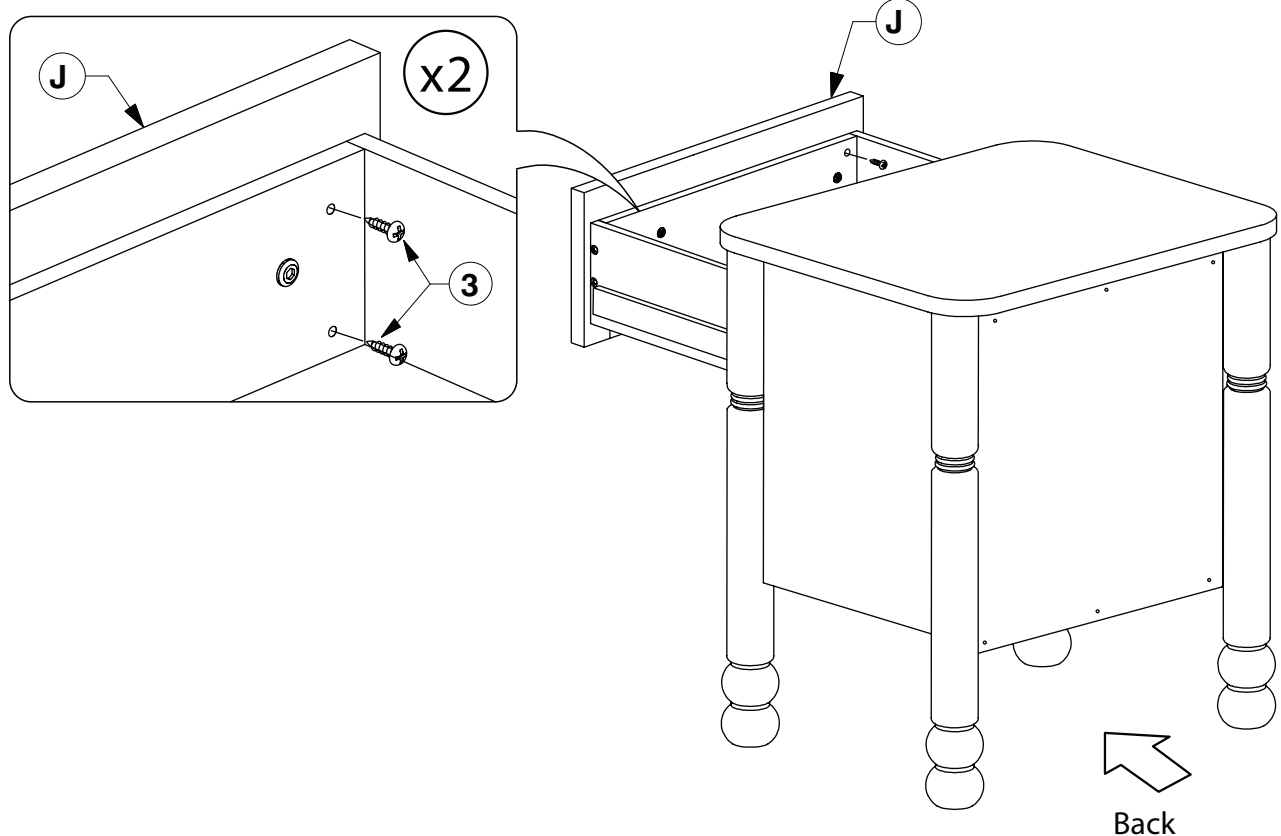
WI-1025

12 Fit and adjust the Drawer Face (J) .

* NOTE: Before fitting the Wood Screws .
Losen the JCBs on the Drawer Face if
the face needs alignment.



13 After the Drawer Faces (J) are aligned, secure with wood screws.



Back