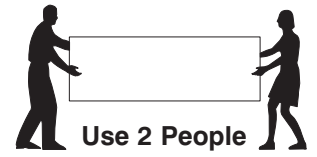
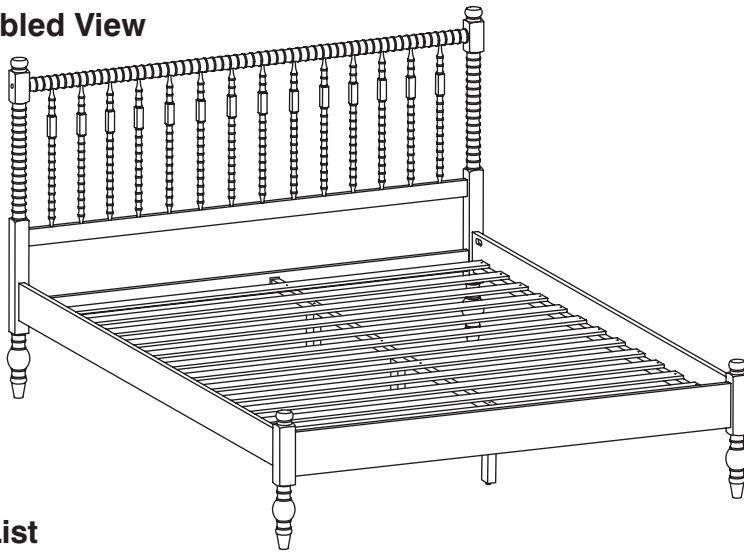


# 0259 Queen Bed

## Assembly Instructions

WI-0825

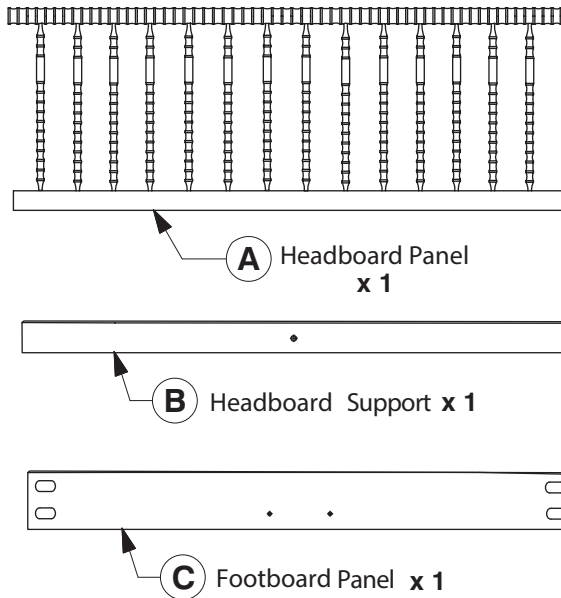
### 1 Assembled View



**Note:** Do not assemble using power tools. This can cause the bolts to be overtightened

### 2 Parts List

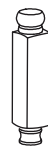
#### Parts in Box A:



**D**  
Headboard Post (Left) x 1



**E**  
Headboard Post (Right) x 1

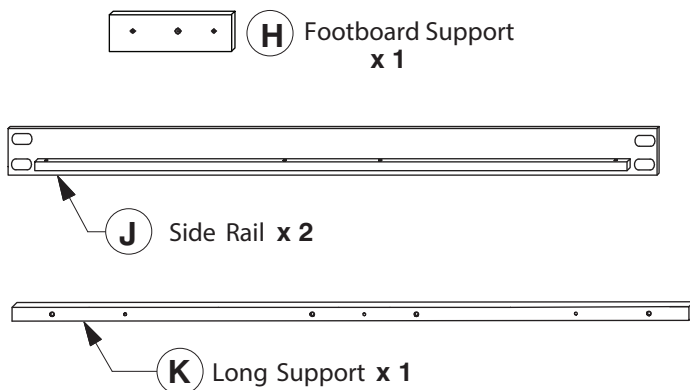


**F**  
Footboard Post (Left) x 1



**G**  
Footboard Post (Right) x 1

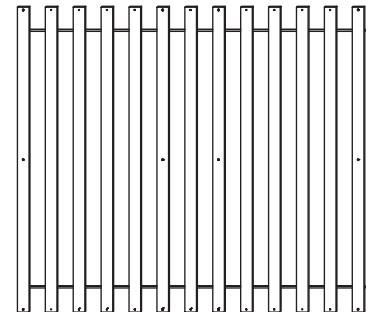
#### Parts in Box B:



**L**  
Lower Post x 4



**M**  
Support Leg x 3



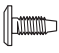

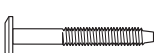



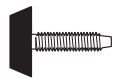




**N** Set of Bed Slats x 1

# 0259 Queen Bed

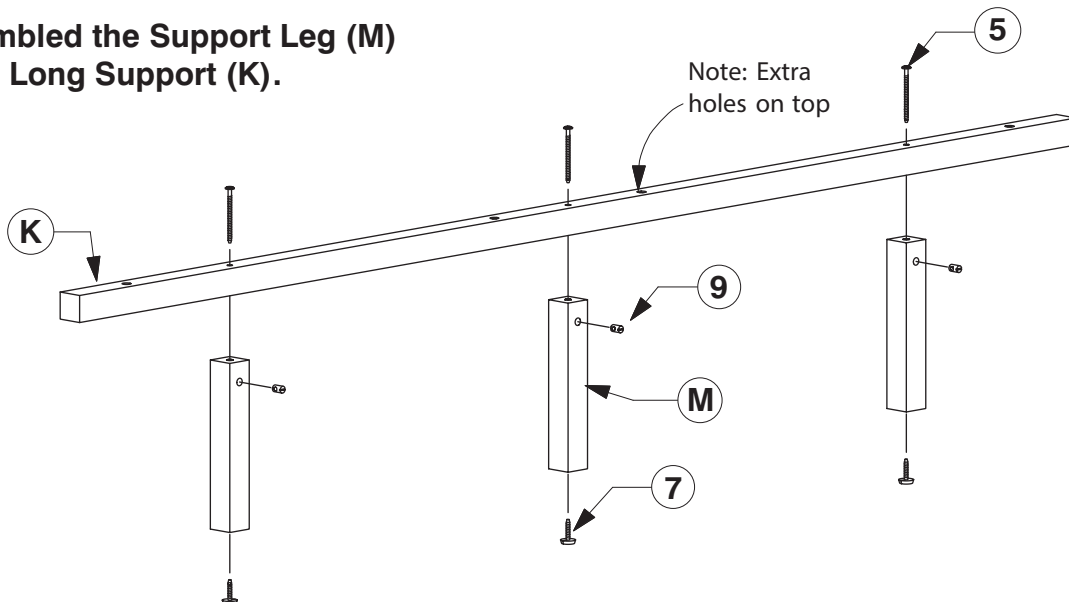
## Assembly Instructions

WI-0825

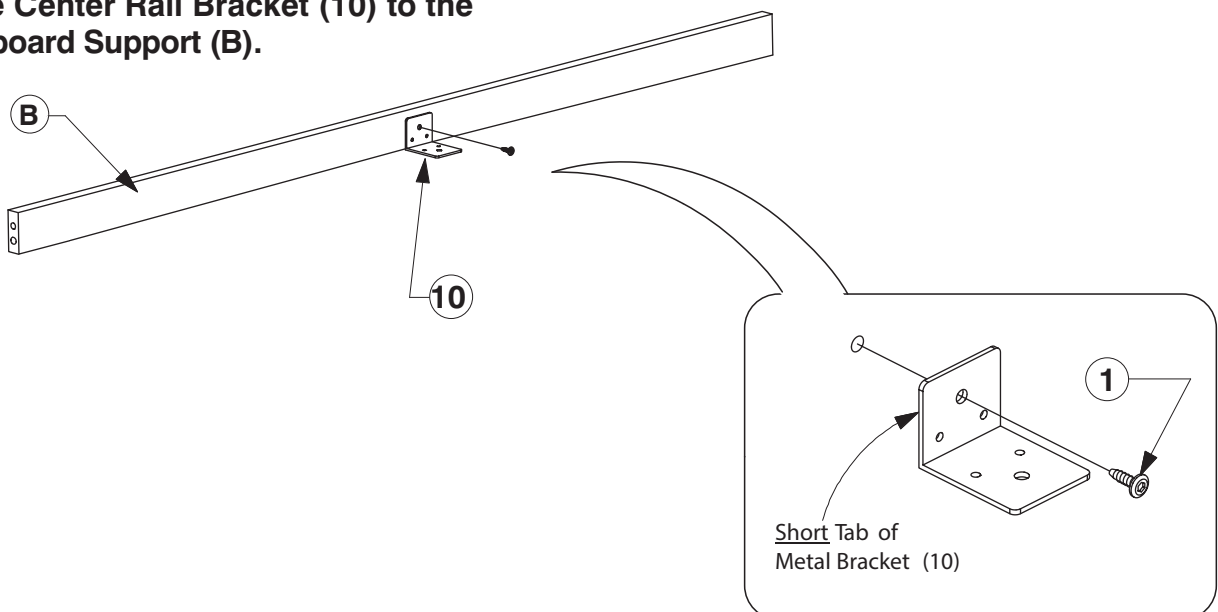
### 3 Hardware List

-  **1** M6 x 15mm JCB x 4
-  **2** M6 x 30mm JCB x 2
-  **3** M6 x 40mm JCB x 30
-  **4** M6 x 70mm JCB x 2
-  **5** M6 x 90mm JCB x 3
-  **6** Wood Screw (M4 x 32mm) x 18
-  **7** Adjustable Foot x 3
-  **8** Wood Dowel (10 x 40mm) x 6
-  **9** Barrel Nut x 3
-  **10** Center Rail Bracket x 2
-  **11** M4 Allen Key x 1

### 4 Assembled the Support Leg (M) to the Long Support (K).



### 5 Fit the Center Rail Bracket (10) to the Headboard Support (B).

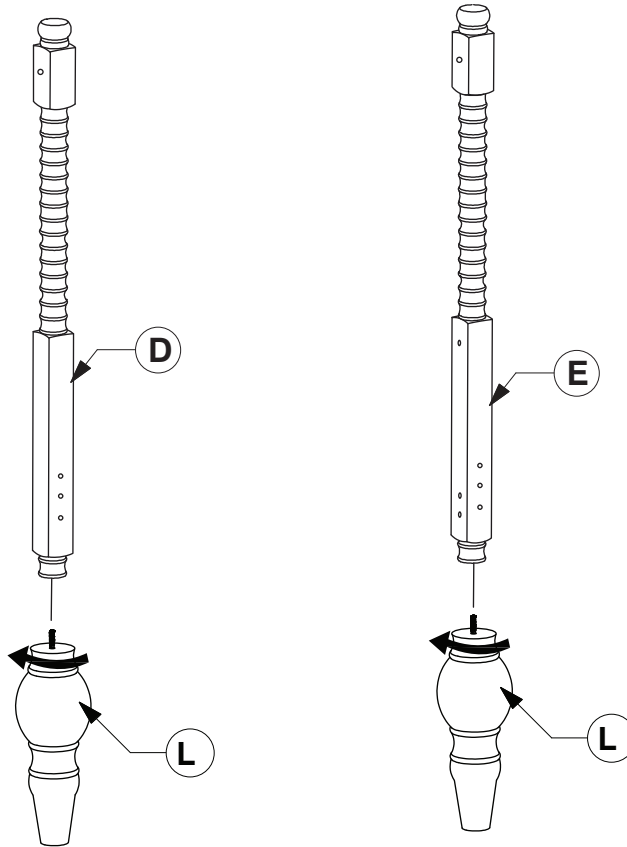


# 0259 Queen Bed

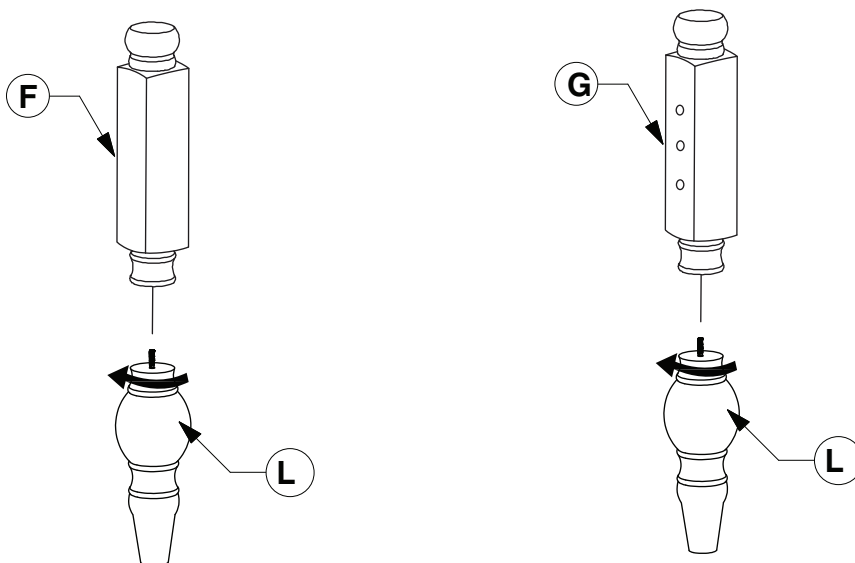
## Assembly Instructions

WI-0825

### 6 Assemble Headboard Post (D & E) to the Lower Post (L).



### 7 Fix the Footboard Post (F & G) to the Lower Post (L).

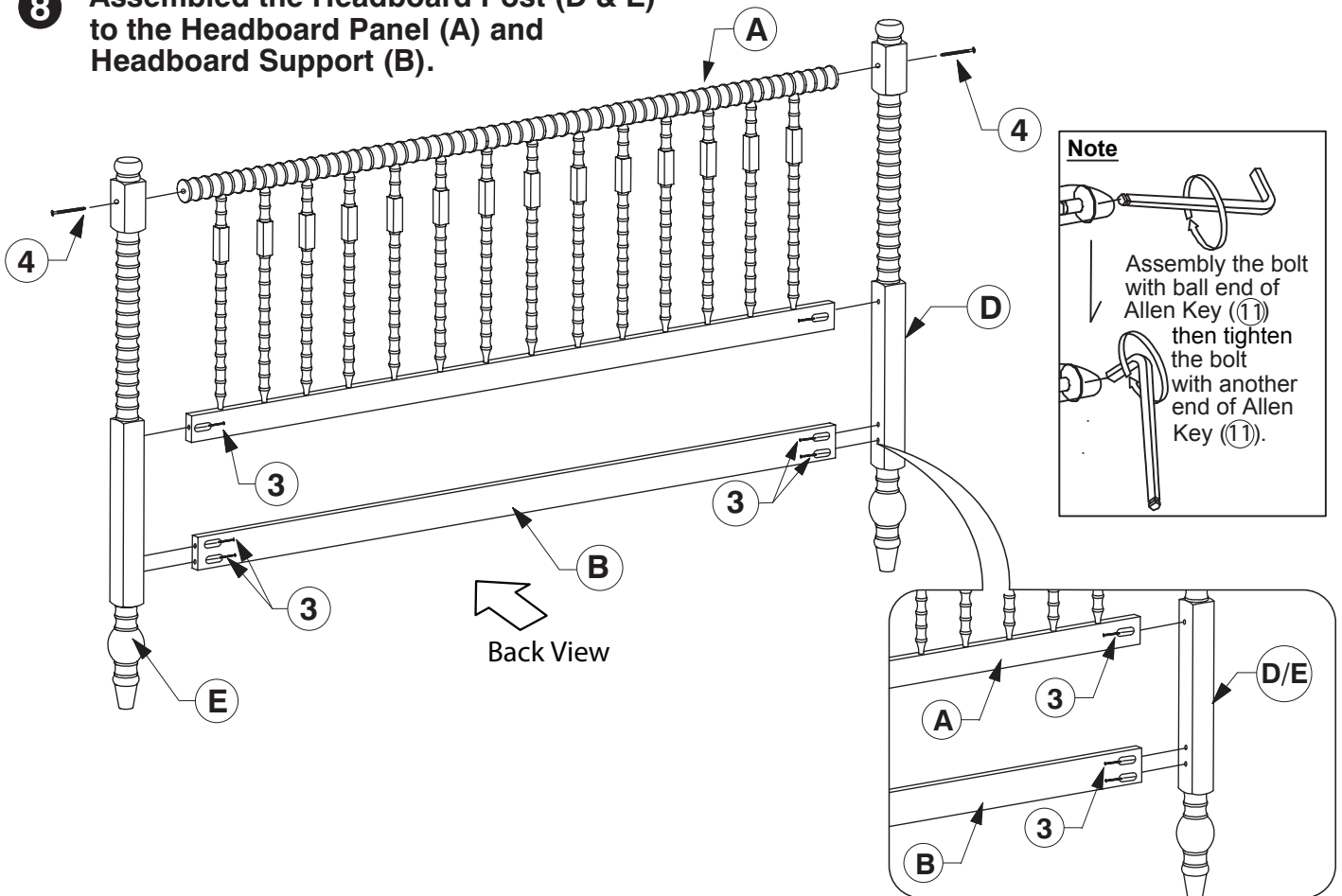


# 0259 Queen Bed

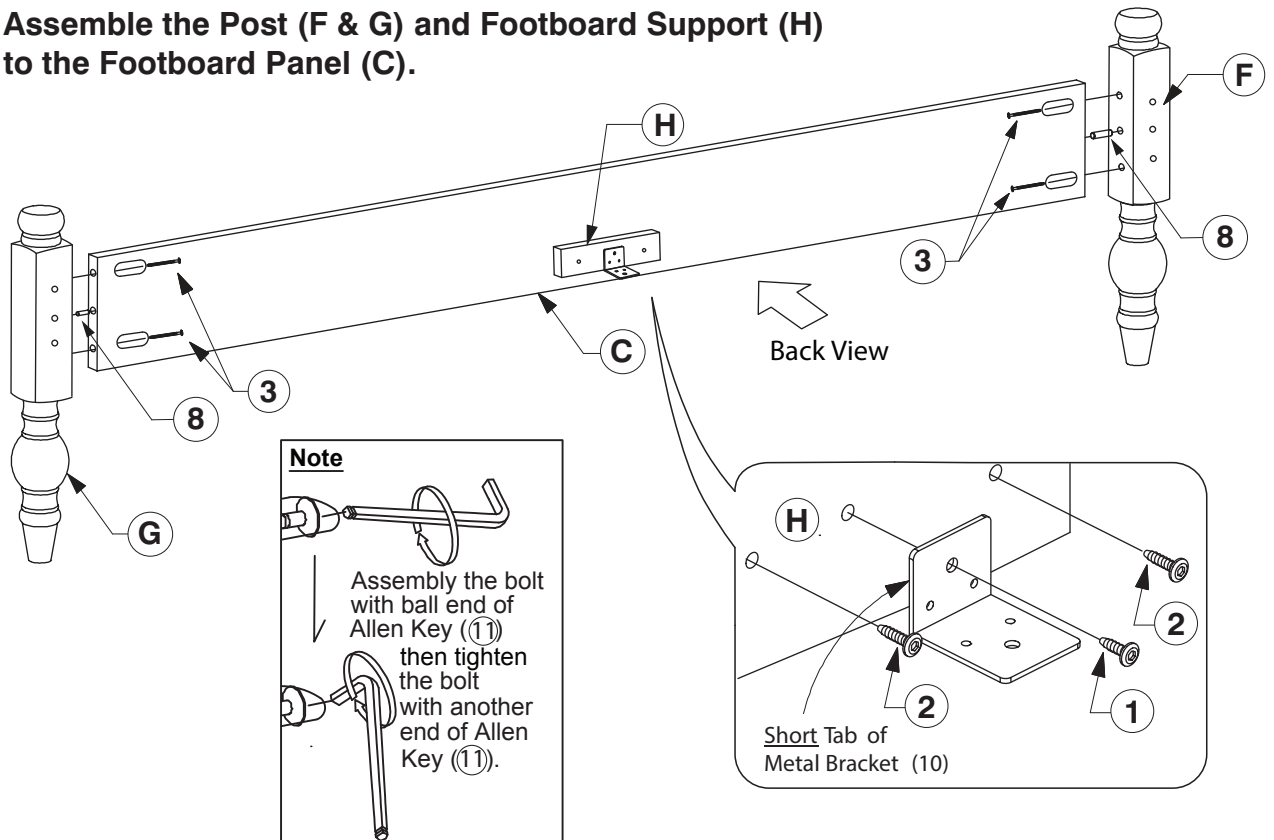
## Assembly Instructions

WI-0825

- 8** Assembled the Headboard Post (D & E) to the Headboard Panel (A) and Headboard Support (B).



- 9** Assemble the Post (F & G) and Footboard Support (H) to the Footboard Panel (C).

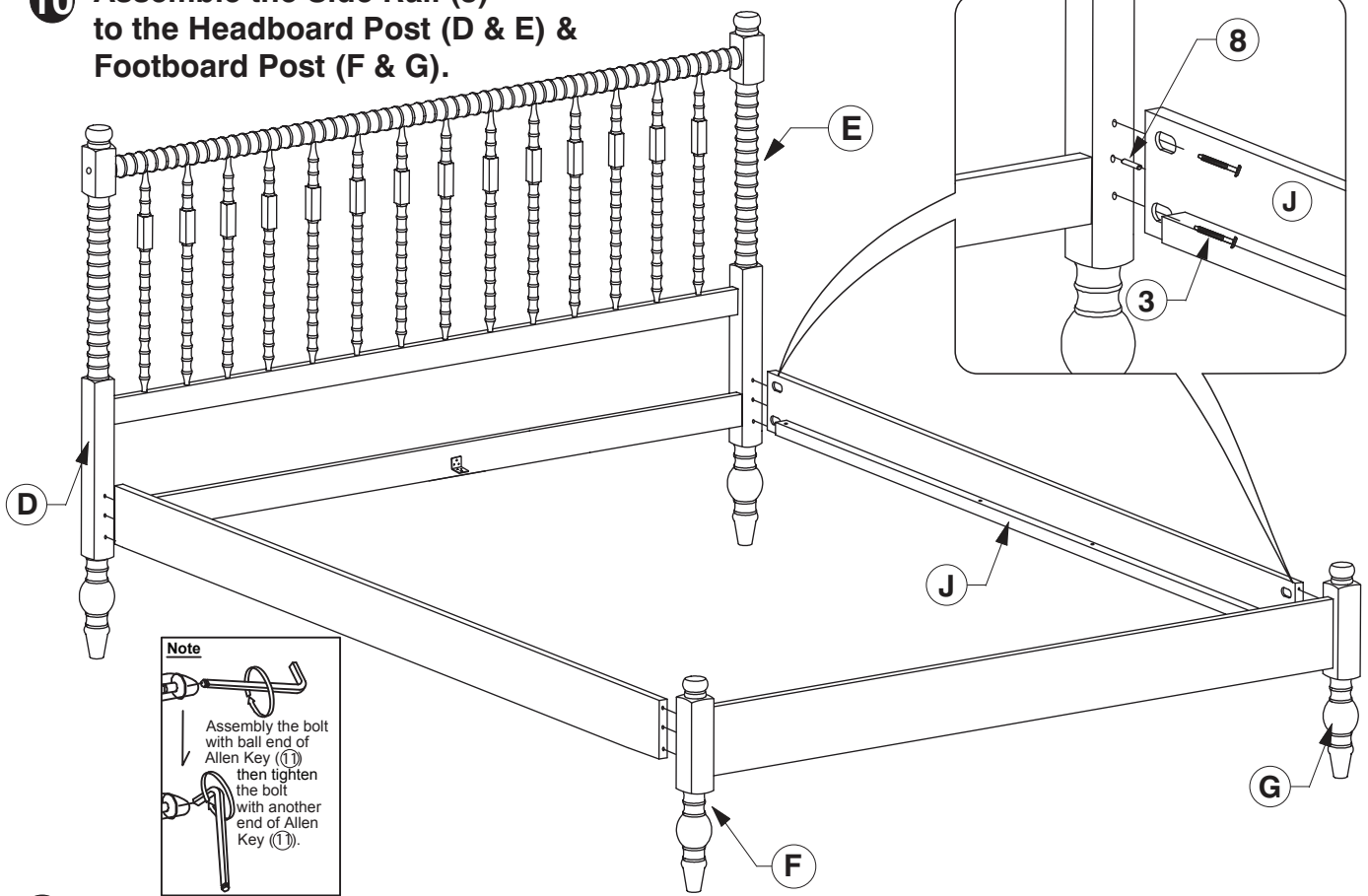


# 0259 Queen Bed

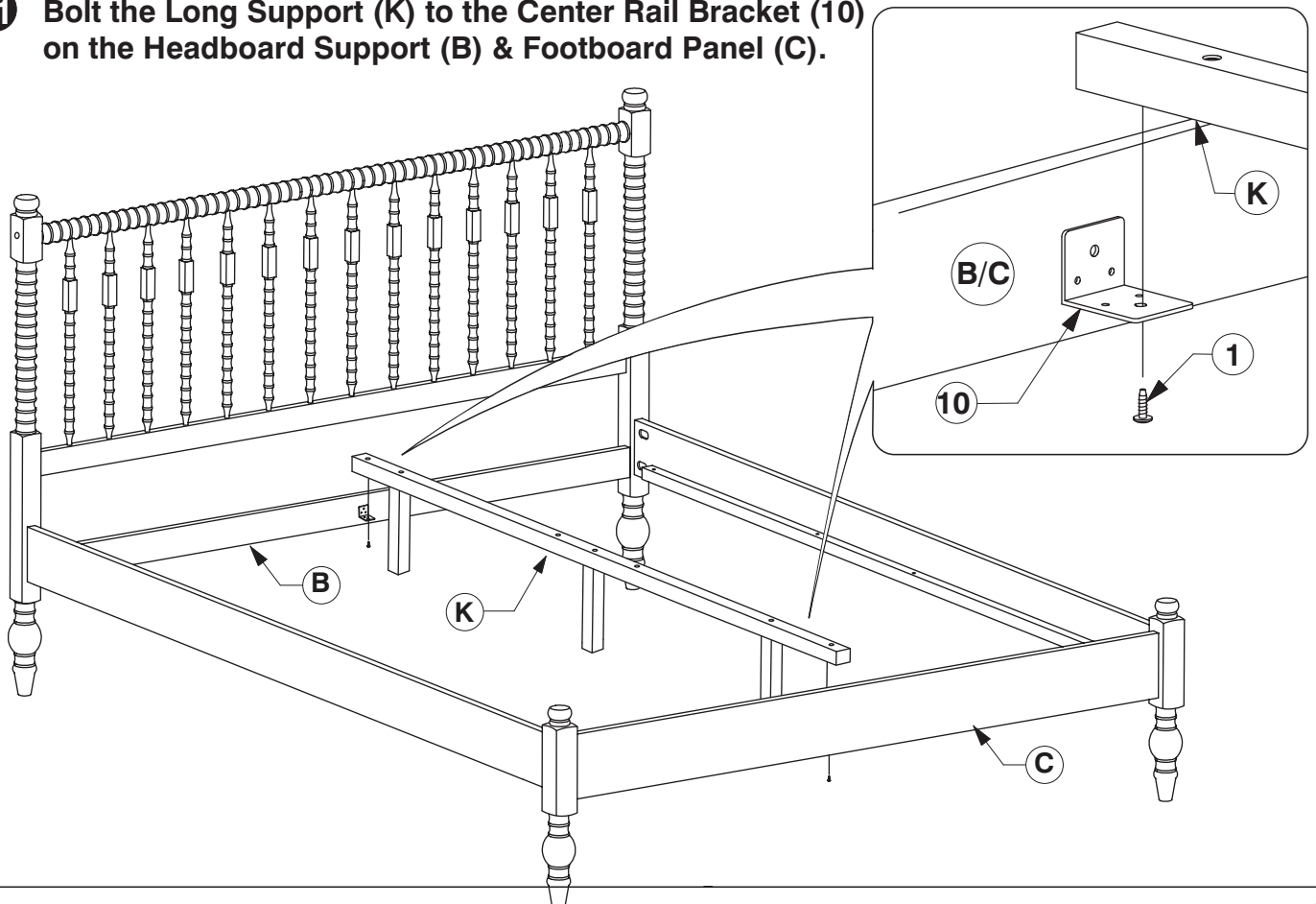
## Assembly Instructions

WI-0825

- 10 Assemble the Side Rail (J) to the Headboard Post (D & E) & Footboard Post (F & G).**



- 11 Bolt the Long Support (K) to the Center Rail Bracket (10) on the Headboard Support (B) & Footboard Panel (C).**

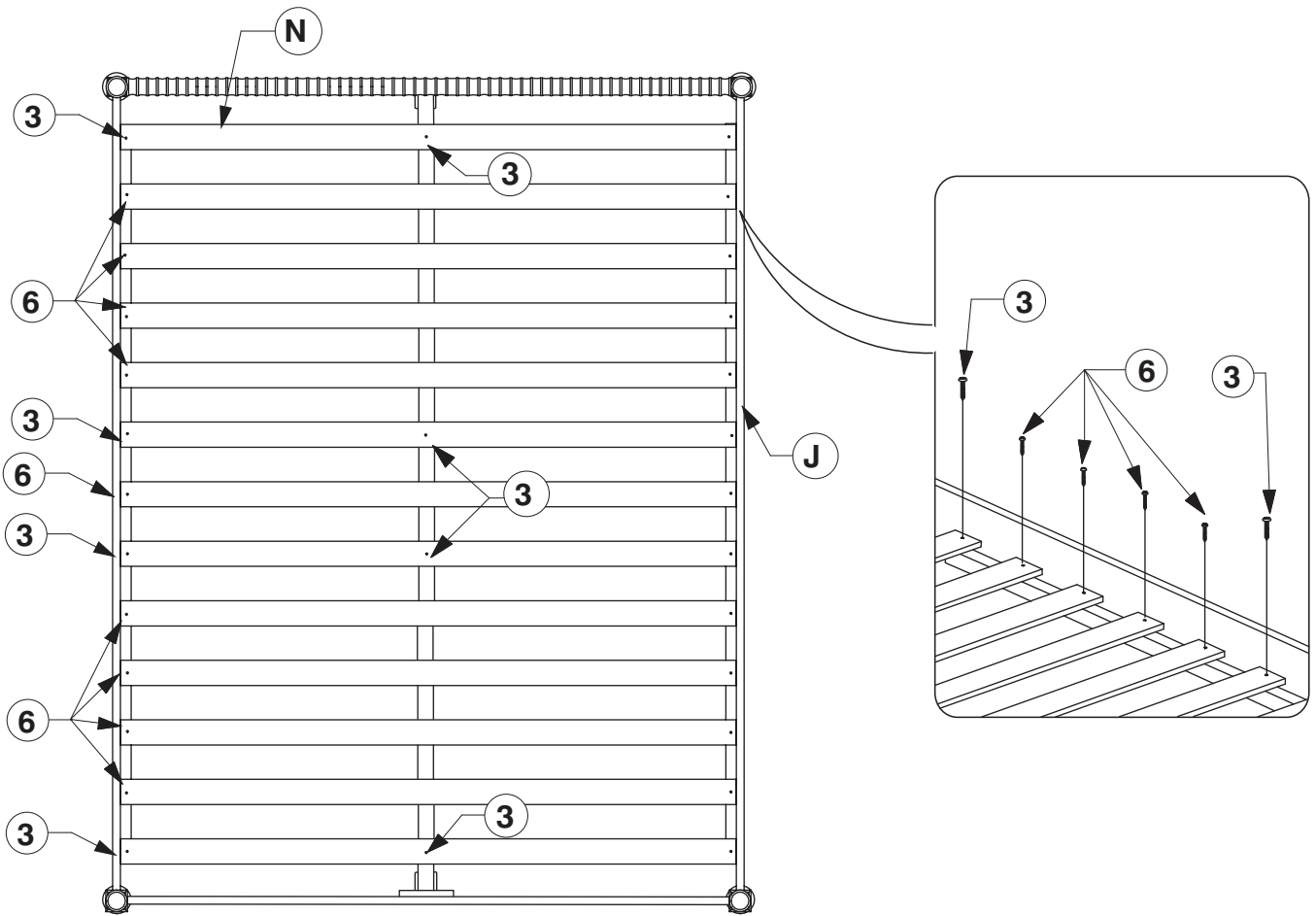


# 0259 Queen Bed

## Assembly Instructions

WI-0825

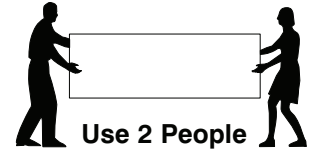
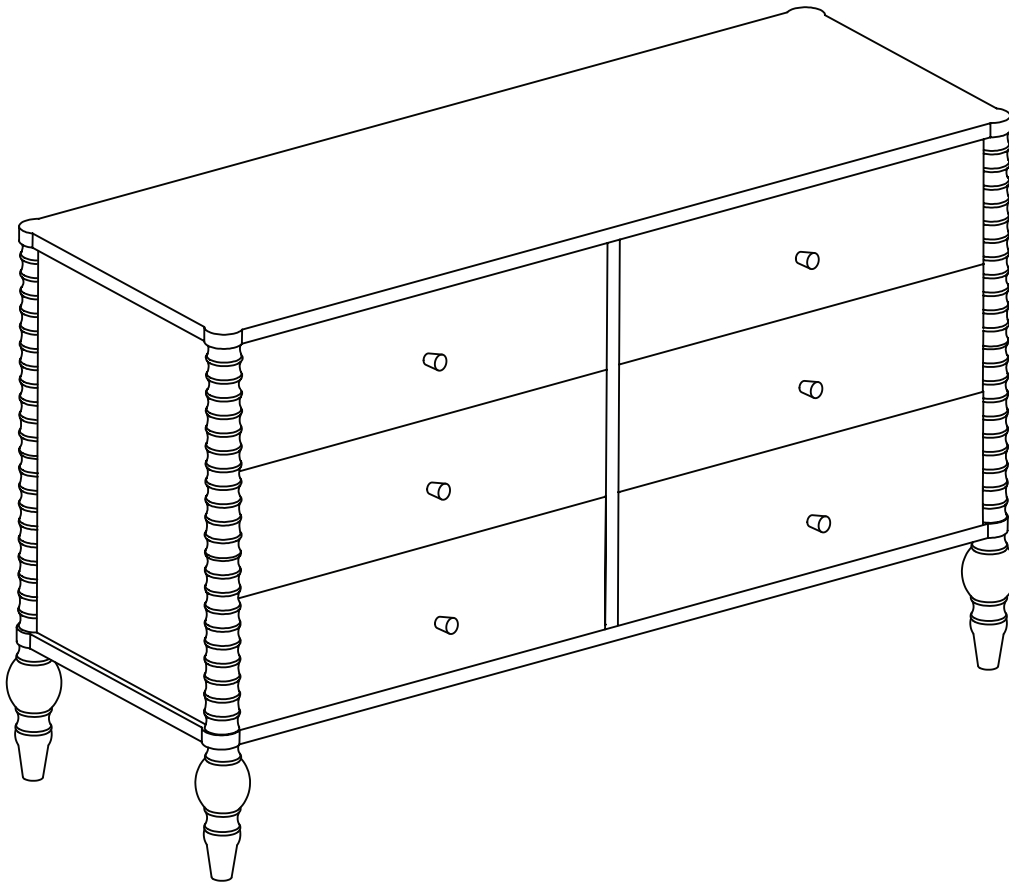
- 12 Bolt & screw the Bed Slats (N) to the Side Rail (J).**



# 9020 6 Drawer Dresser

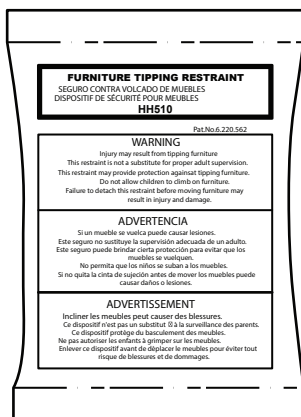
## Assembly Instructions

WI-0825



**Note:** Do not assemble using power tools. This can cause the bolts to be overtightened

### WARNING



Anti Tipping Kit  
Anti Tipping Kit x 1



Children have died from furniture tipover.

To reduce the risk of furniture tipover:

- ALWAYS install anti-tip device provided.
- NEVER put a TV on this product.
- NEVER allow children to stand, climb, or hang on any drawers, doors or shelves.
- NEVER open more than one drawer at a time.
- DO NOT defeat or remove the drawer interlock system; it is an important stability and safety system.
- Place heaviest items in the lowest drawer.

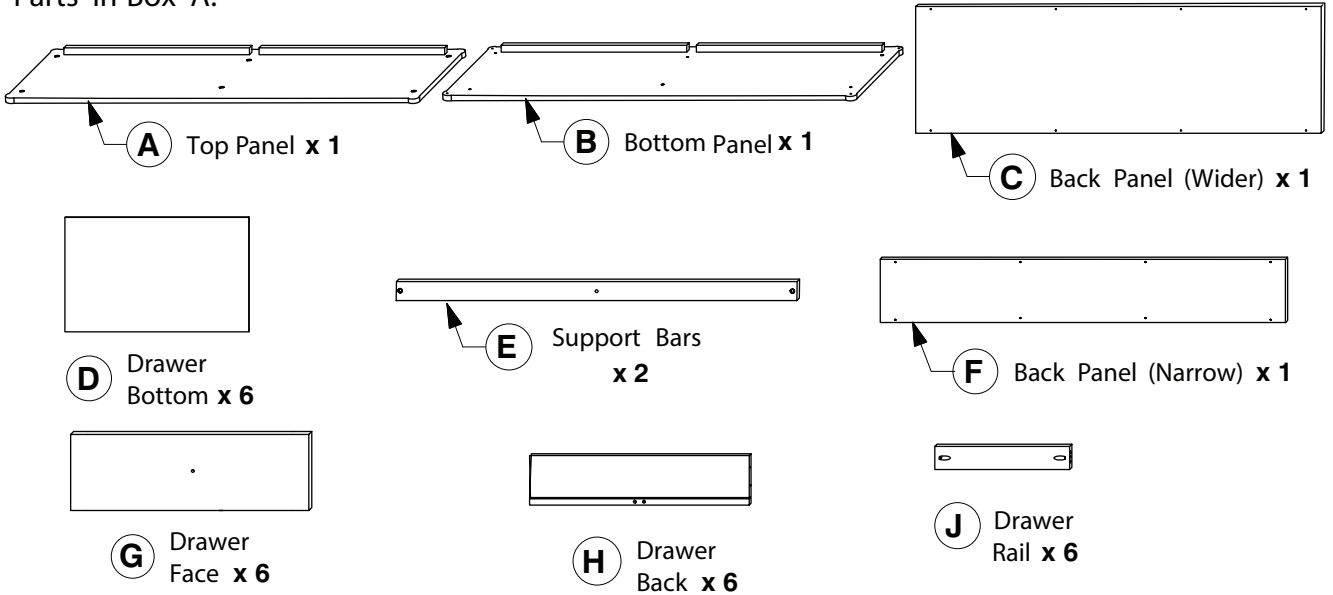
# 9020 6 Drawer Dresser

## Assembly Instructions

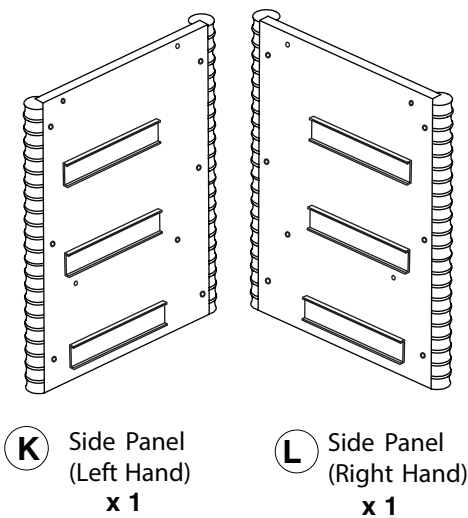
WI-0825

### 1 Parts List

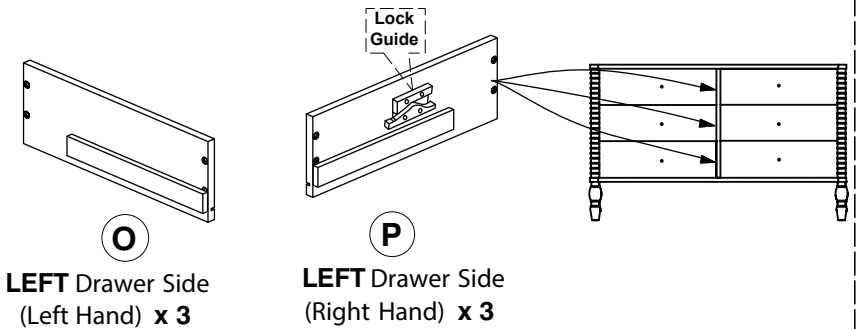
Parts in Box A:



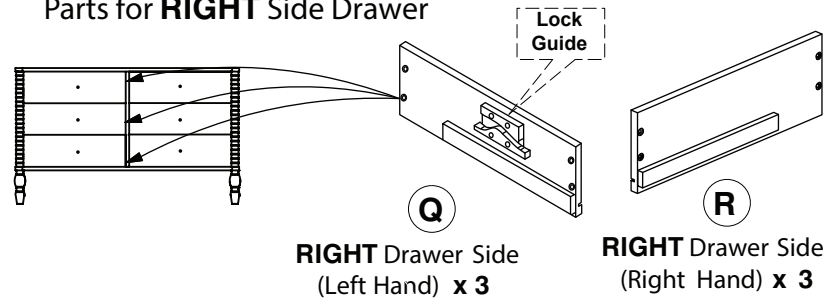
Parts in Box B:



Parts for **LEFT** Side Drawer



Parts for **RIGHT** Side Drawer

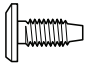
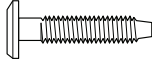

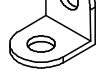
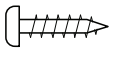
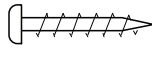
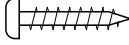
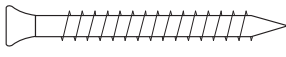
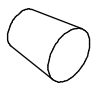
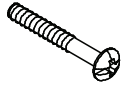




# 9020 6 Drawer Dresser

## Assembly Instructions

WI-0825

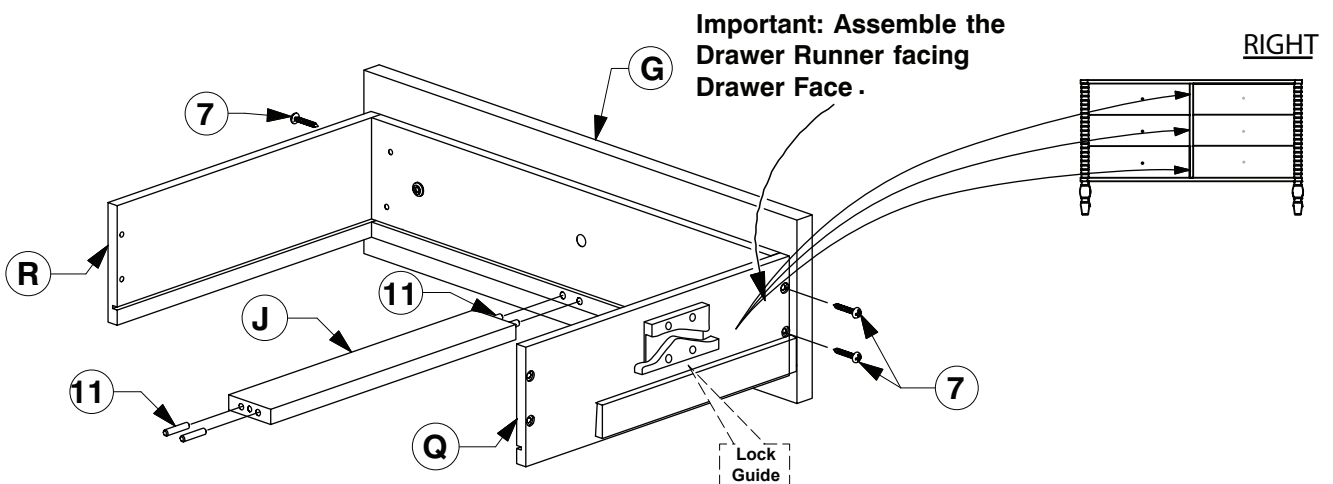
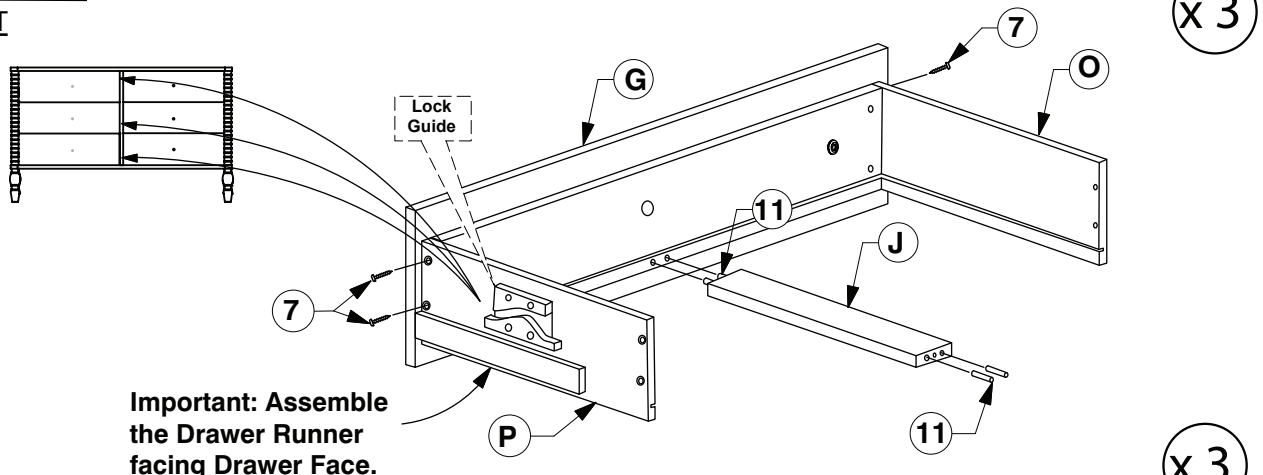
### 2 Hardware List

- |   |   |  |   |
|---|---|--|---|
|  |  |  |  |
| 1 M6 x 15mm JCB x 16  | 2 M6 x 30mm JCB x 2   | 3 M6 x 60mm JCB x 2  | 4 'L' Bracket (5005-3) x 8  |
|  |  |  |  |
| 5 Wood Screw (M4 x 20mm) x 24   | 6 Wood Screw (M4 x 32mm) x 16   | 7 Wood Screw (M4 x 25mm) x 60  | 8 CSK Cap Wood Screw (M6 x 50mm) x 6  |
|  |  |  |  |
| 9 Handle (1005) x 6   | 10 M4 x 22mm Wood Screw x 6   | 11 M6 x 25mm Wood Dowel x 24   | 12 Allen Key x 1  |

### 3 Assemble the Drawers.

#### STEP 3.1

LEFT



# 9020 6 Drawer Dresser

## Assembly Instructions

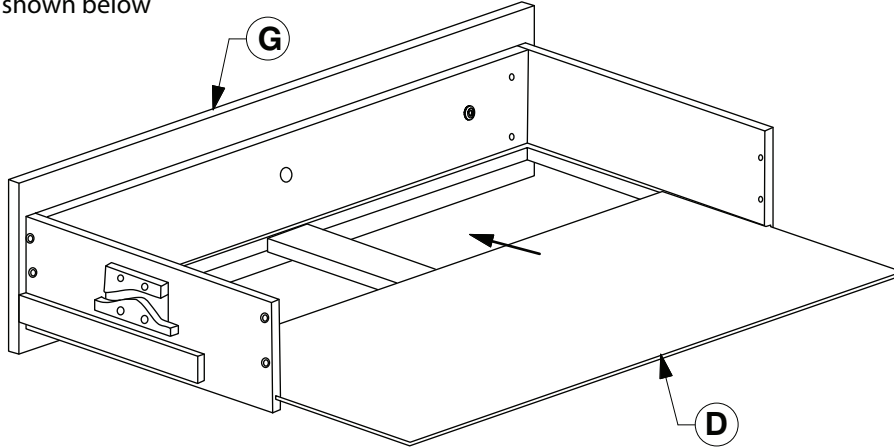
WI-0825

### 3 Assemble the Drawers.

#### STEP 3.2

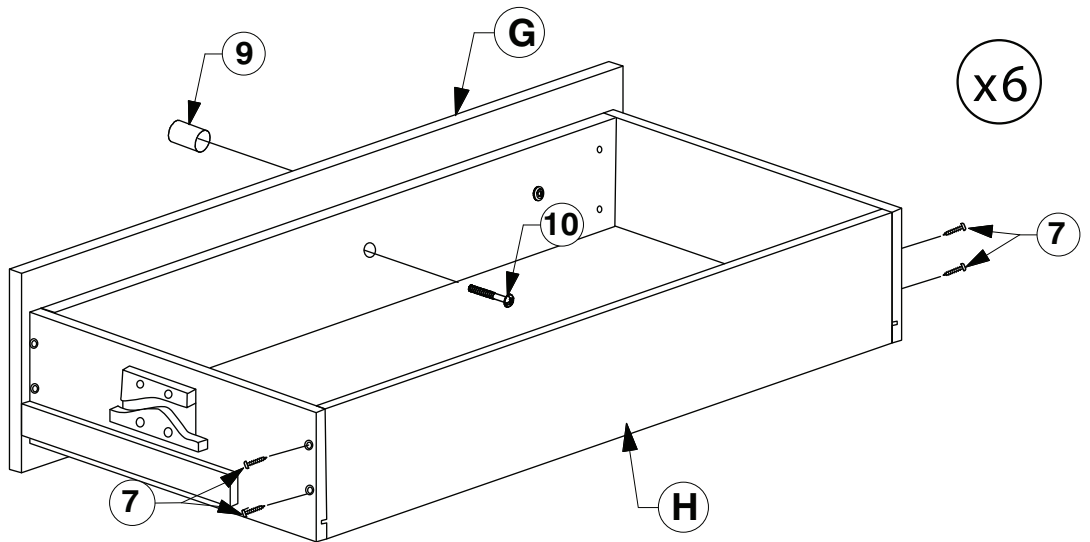
x6

\* 3 Assemble the left and right drawers as shown below



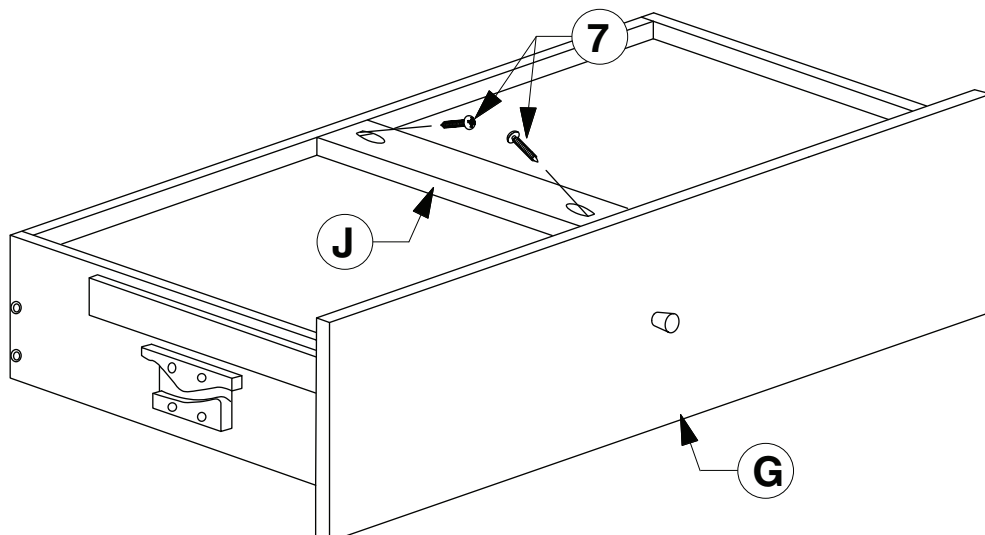
#### STEP 3.3

x6



#### STEP 3.4

x6

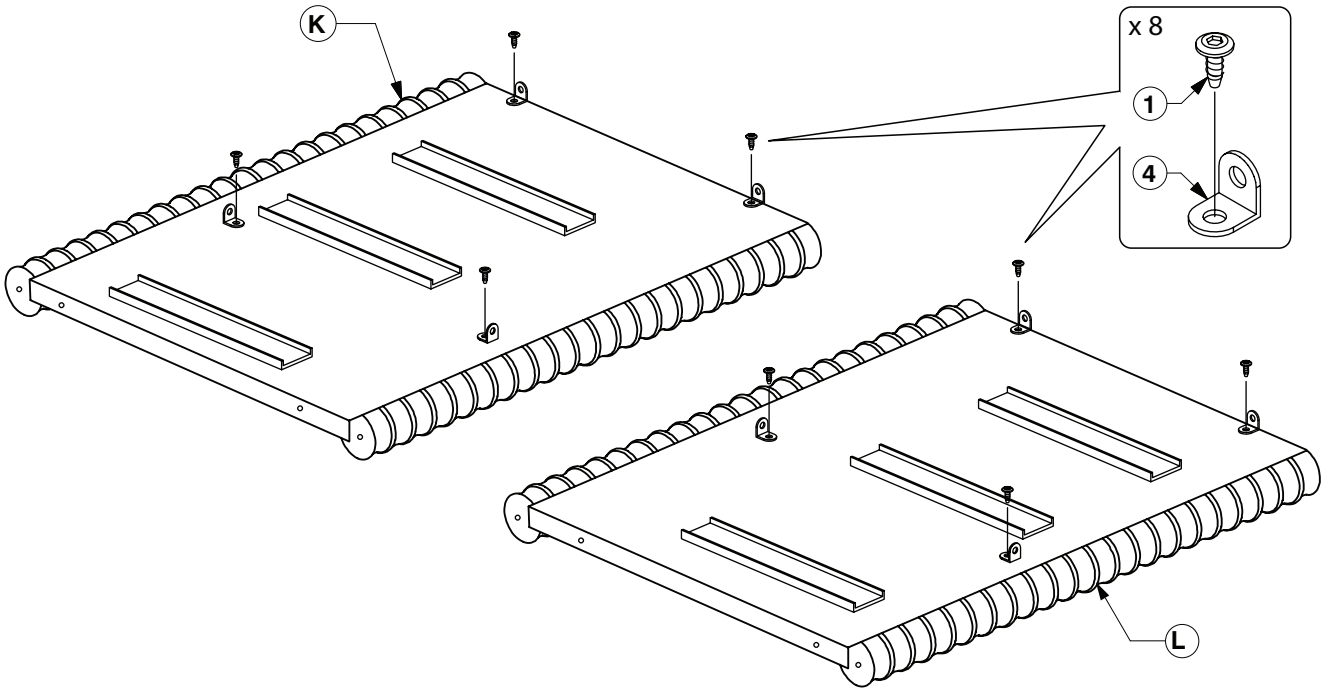


# 9020 6 Drawer Dresser

## Assembly Instructions

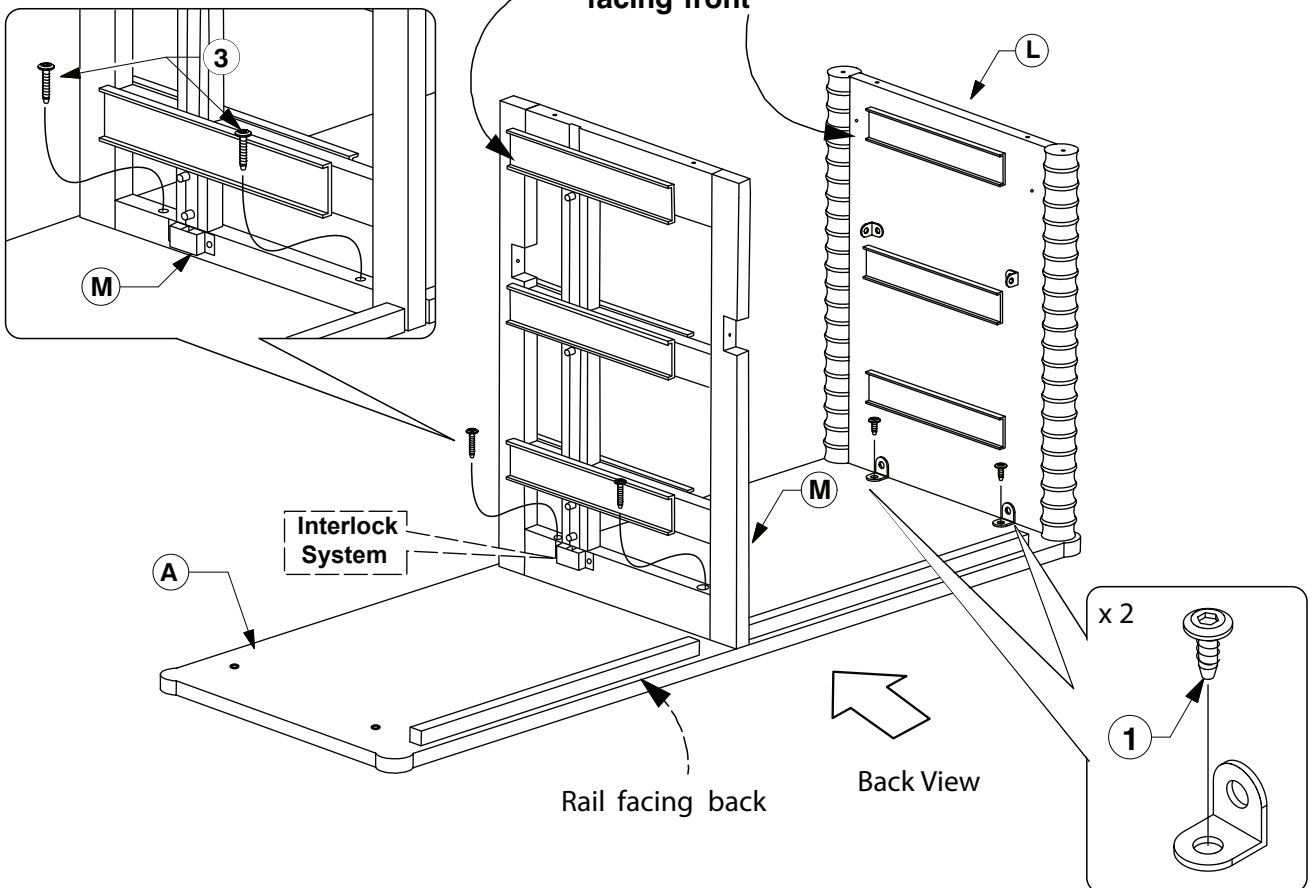
WI-0825

### 4 Fit the 'L' Bracket to the Side Panel (K & L) .



### 5 Fit the Side Panel- Right Hand (L) & Center Frame (M) to the Top Panel (A).

**Important:**  
Drawer Runner  
facing front

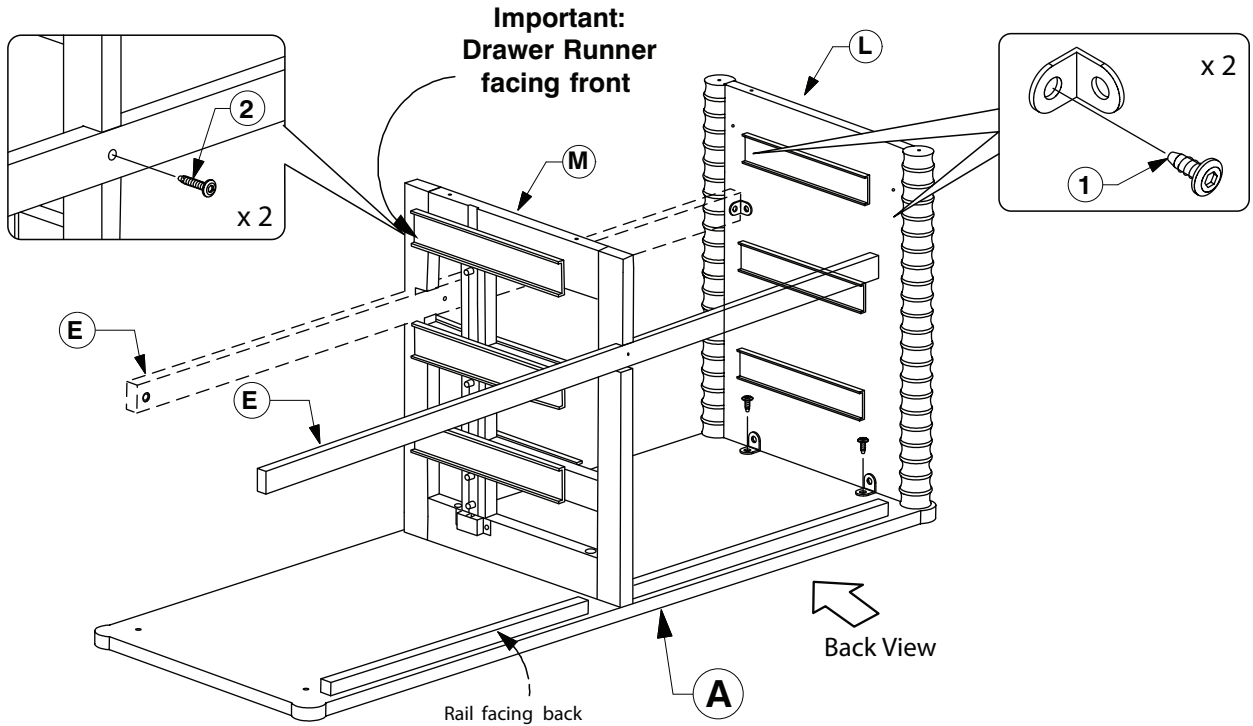


# 9020 6 Drawer Dresser

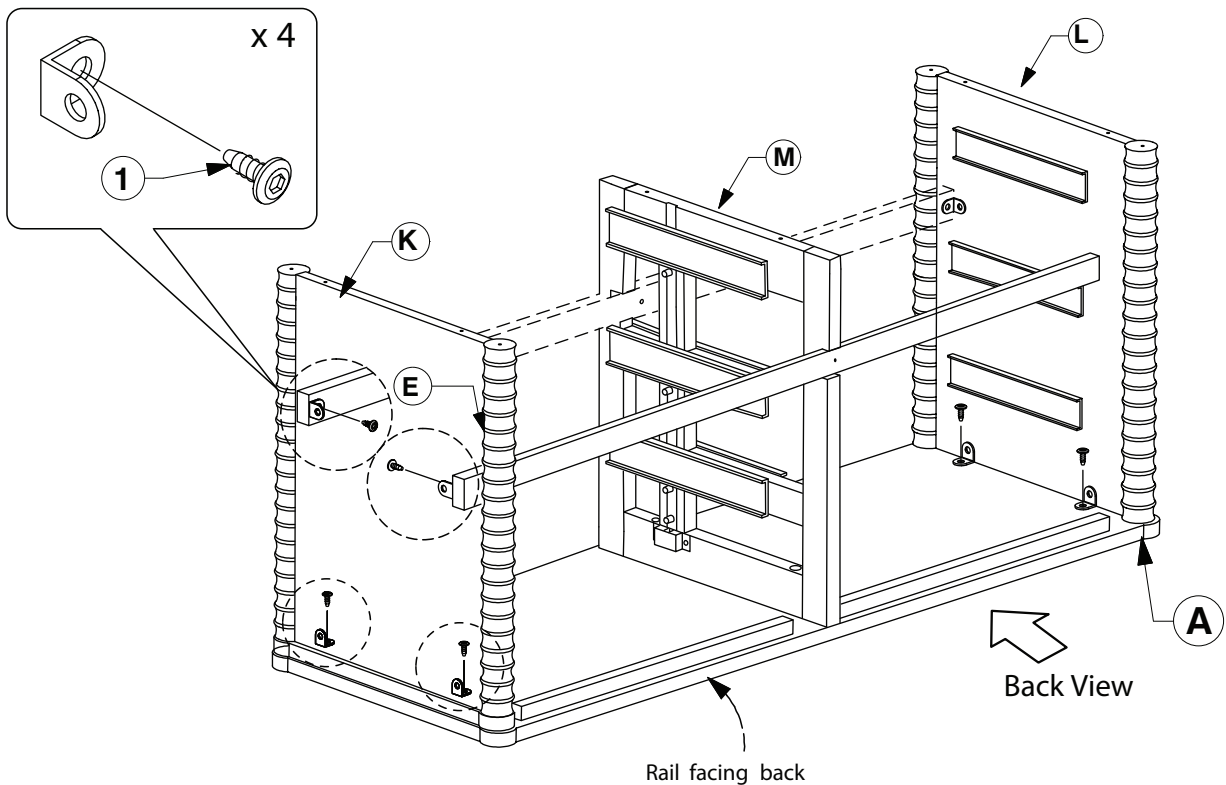
## Assembly Instructions

WI-0825

- 6** Fit the Support Bar (E) to the Side Panel -Right Hand (L) and Center Frame (M) as shown.



- 7** Fit the other side of Side Panel- Left Hand (K) to the Top Panel (A) & Support Bar (E).

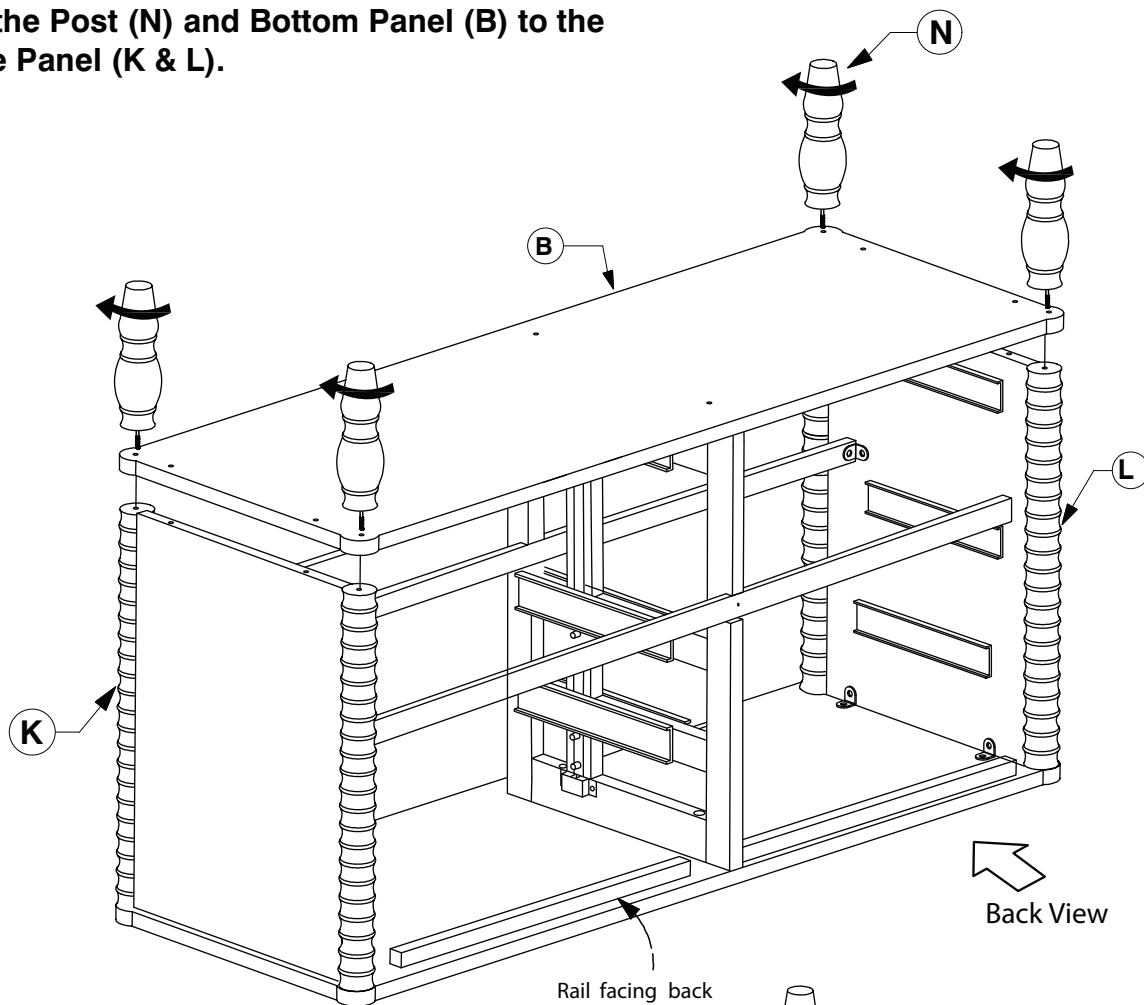


# 9020 6 Drawer Dresser

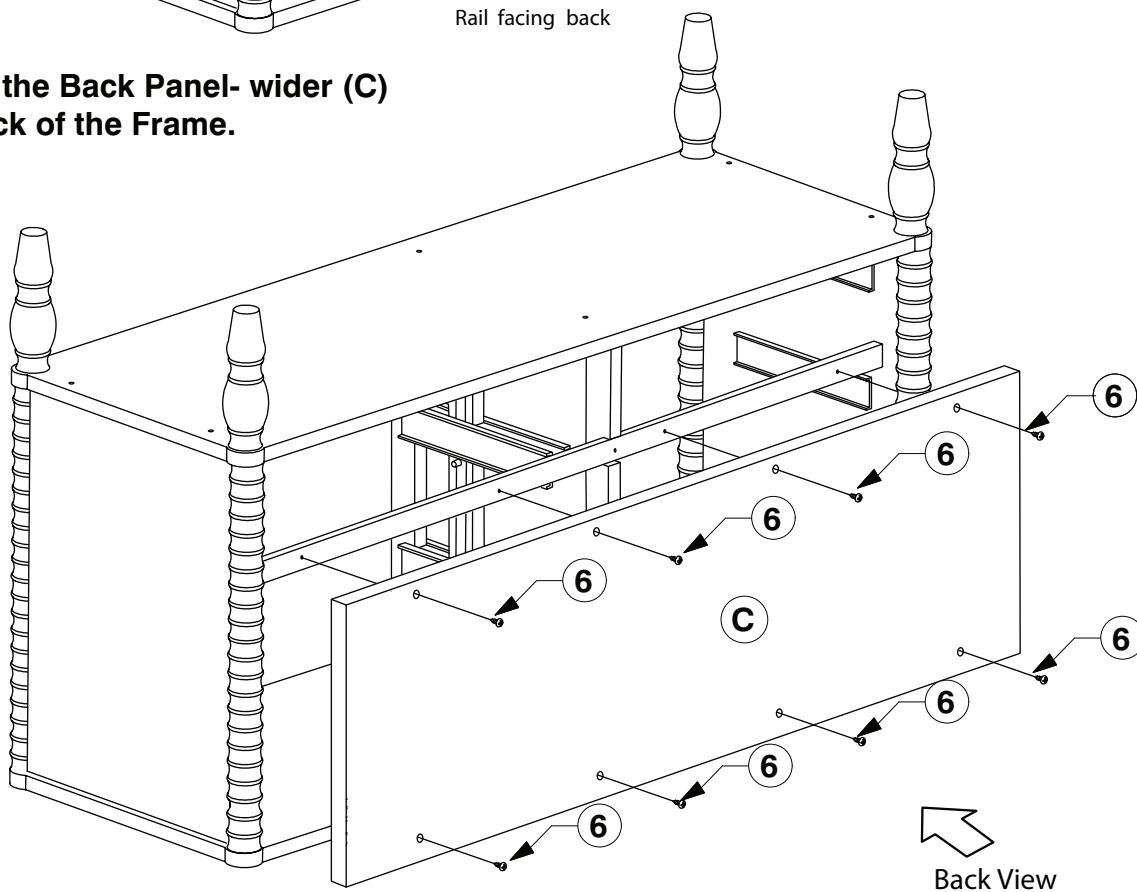
## Assembly Instructions

WI-0825

- 8** Fix the Post (N) and Bottom Panel (B) to the Side Panel (K & L).



- 9** Attached the Back Panel- wider (C) to the back of the Frame.

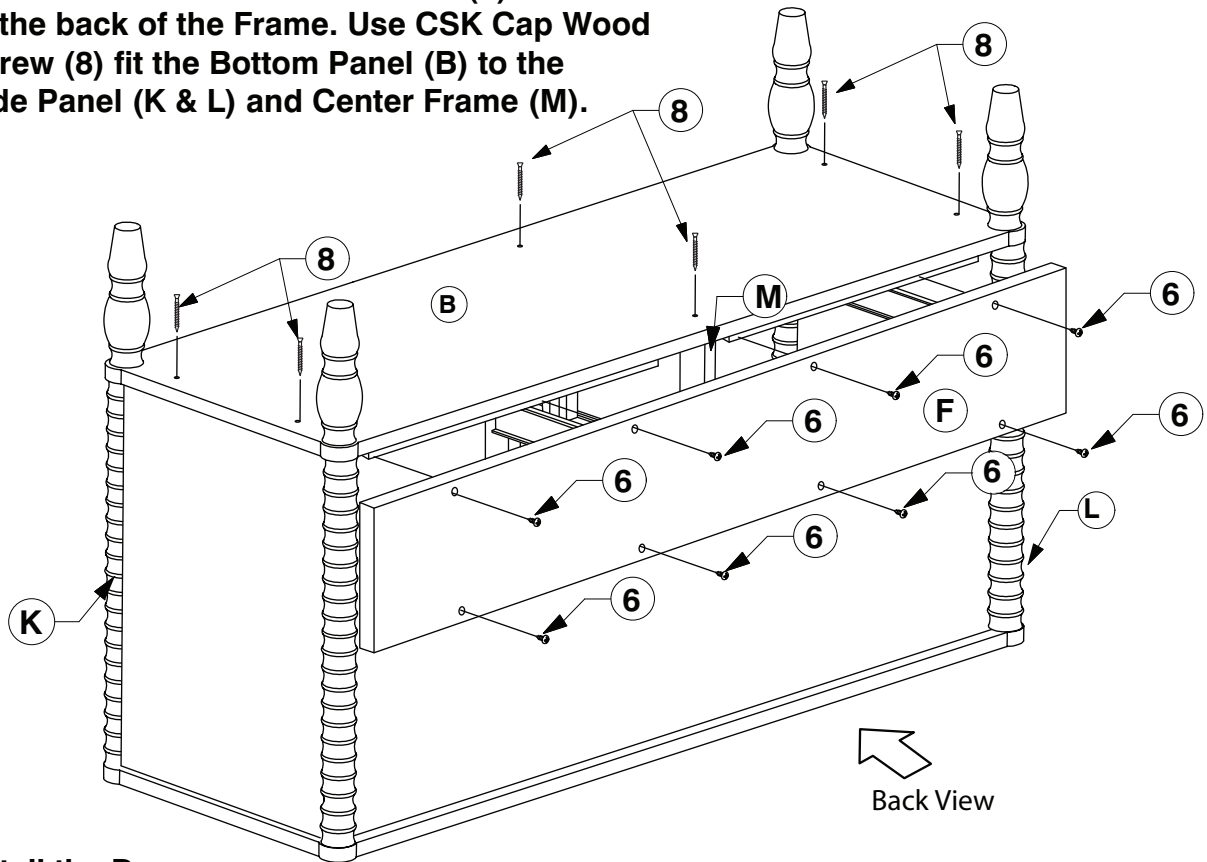


# 9020 6 Drawer Dresser

## Assembly Instructions

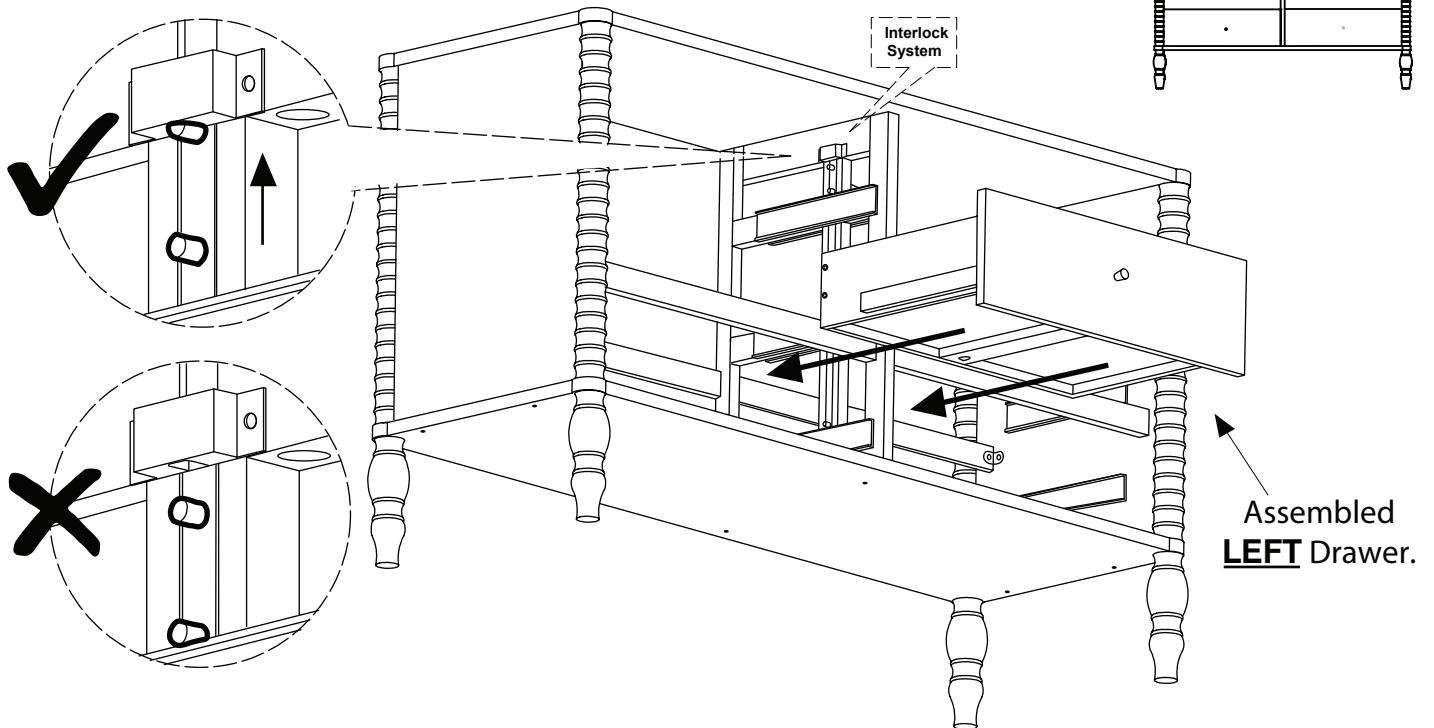
WI-0825

- 10** Attached the Back Panel- narrow (F) to the back of the Frame. Use CSK Cap Wood Screw (8) fit the Bottom Panel (B) to the Side Panel (K & L) and Center Frame (M).



- 11** Install the Drawers.

- Push the Interlock bar **upwards** before inserting the drawers.

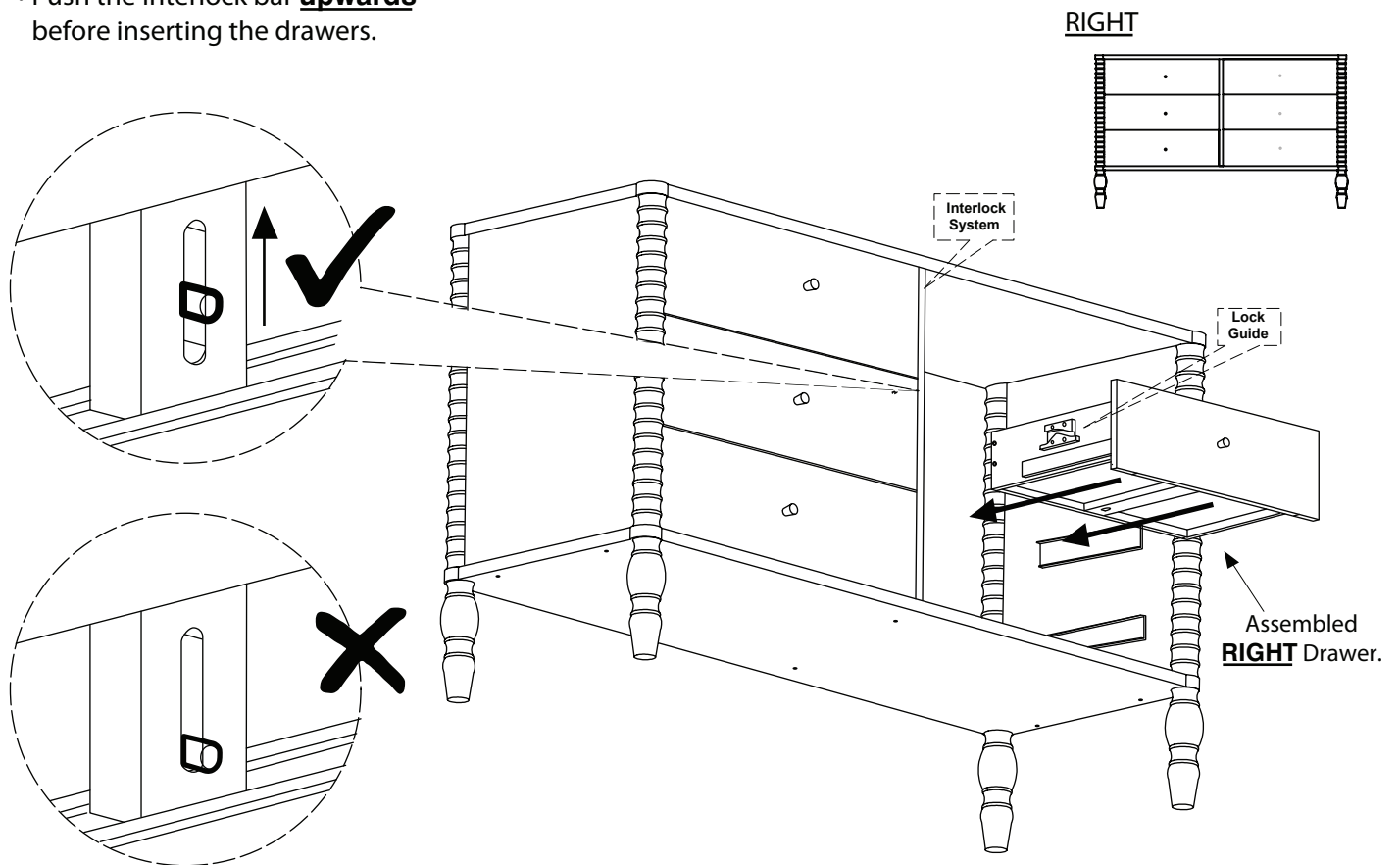


# 9020 6 Drawer Dresser

## Assembly Instructions

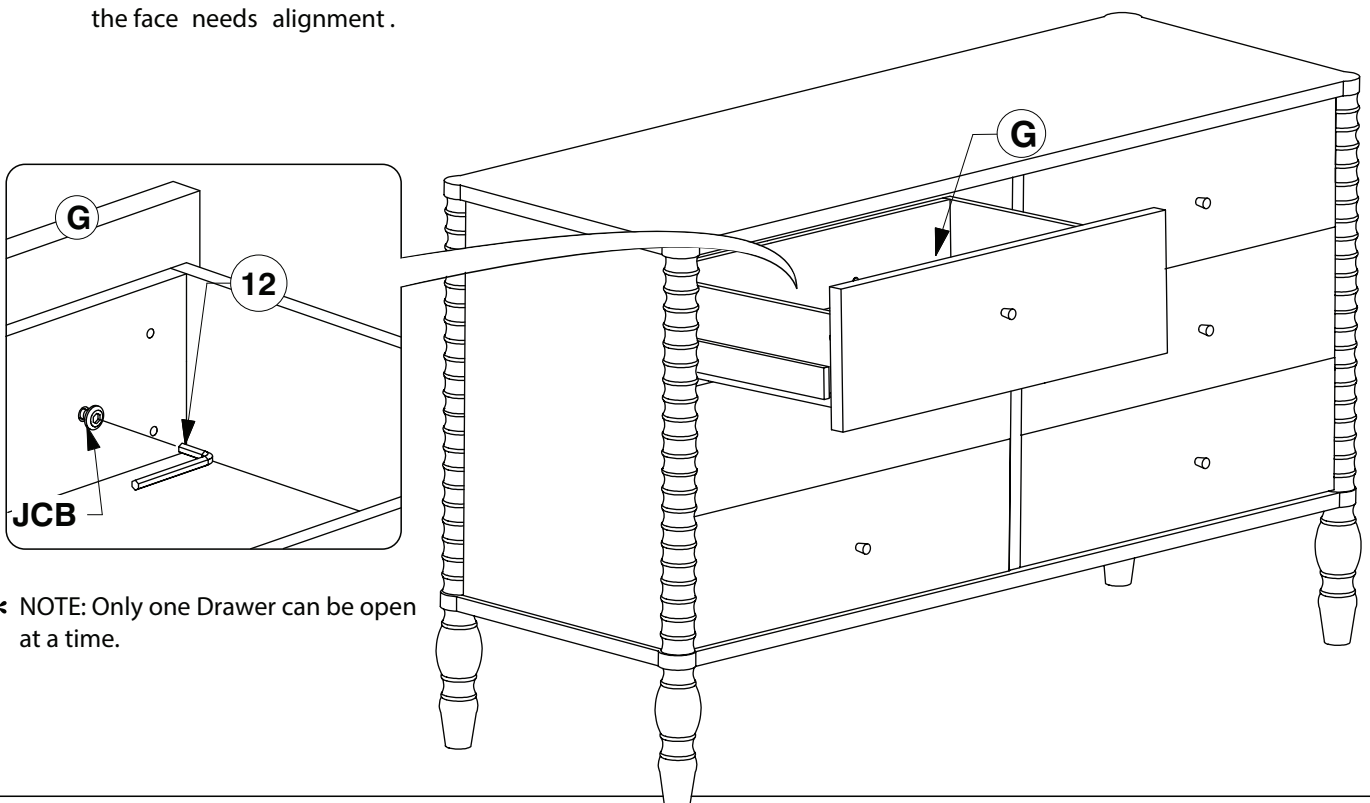
WI-0825

- Push the Interlock bar **upwards** before inserting the drawers.



### 12 Adjust the Drawer Face (G).

- \* NOTE: Before fitting the Wood Screws .  
Losen the JCBs on the Drawer Face if the face needs alignment.



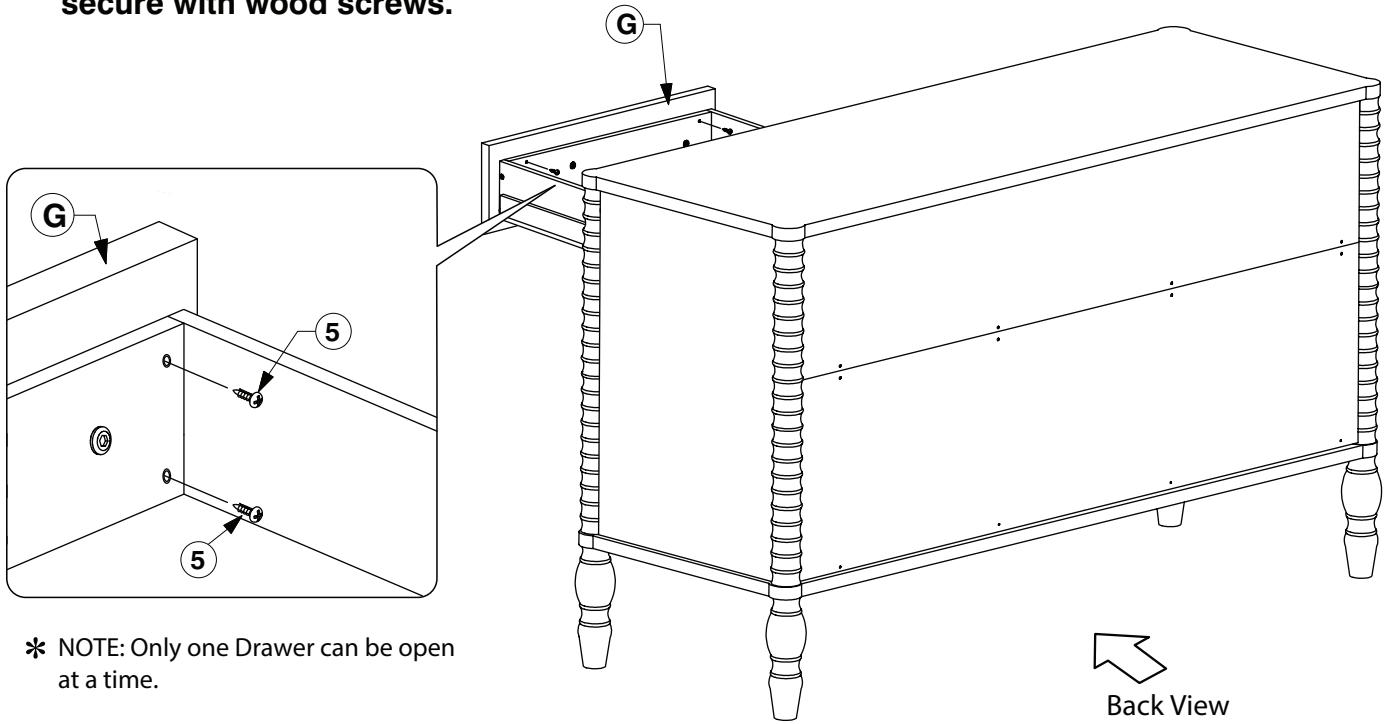
- \* NOTE: Only one Drawer can be open at a time.

# 9020 6 Drawer Dresser

## Assembly Instructions

WI-0825

- 13** After the Drawer Faces (G) are aligned, secure with wood screws.



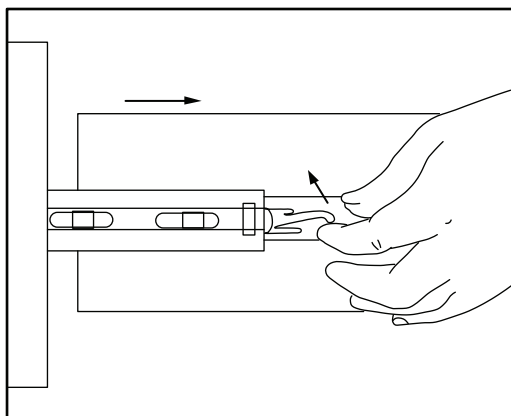
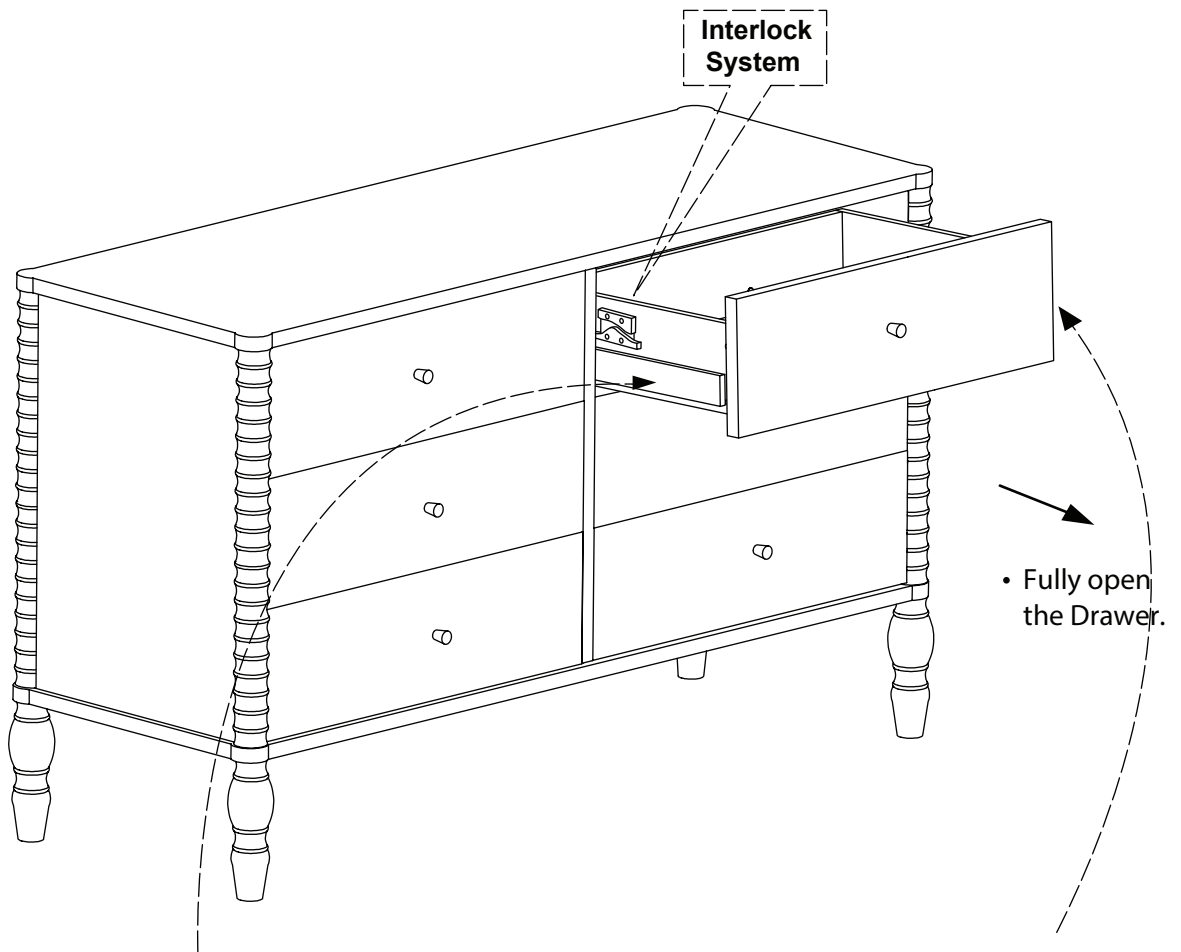
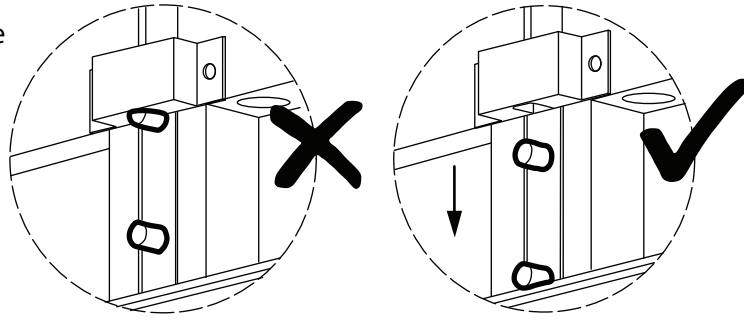
# 9020 6 Drawer Dresser

## Assembly Instructions

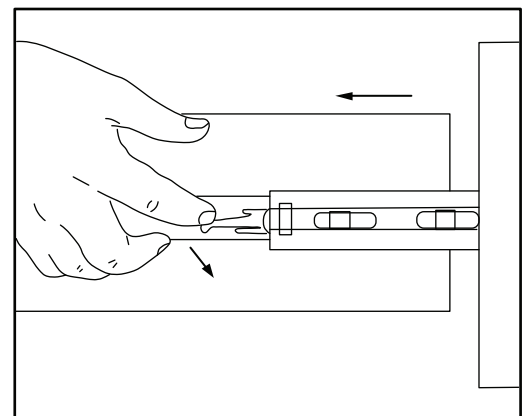
WI-0825

### 14 Remove the Drawers.

- After removing the top drawer, push the interlock bar **down**. Then remove the lower drawers.



- Lift the **LEFT** side clip **up**.

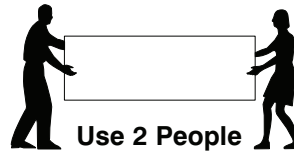
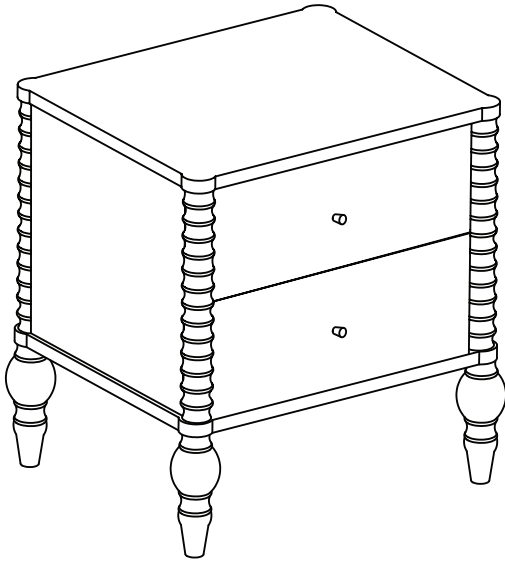


- Push the **RIGHT** side clip **down**.

# 9020 2 Drawer Night Stand

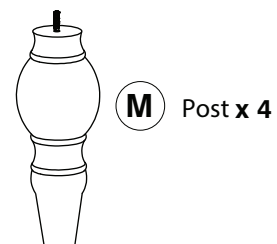
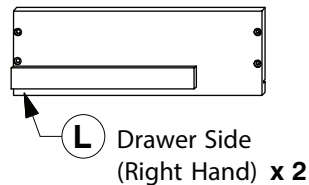
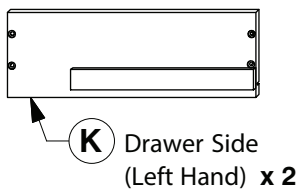
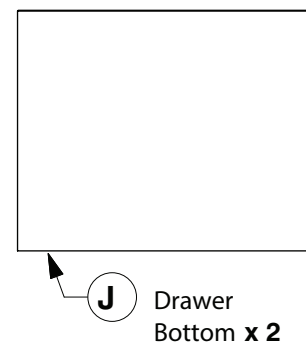
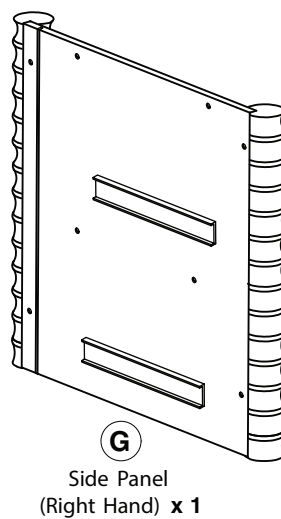
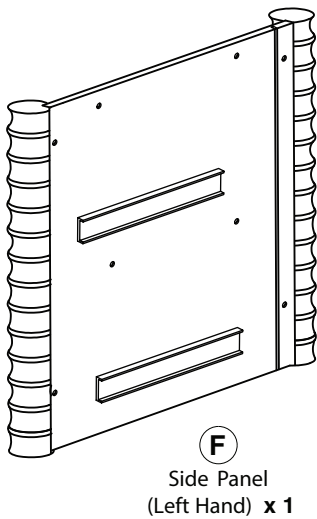
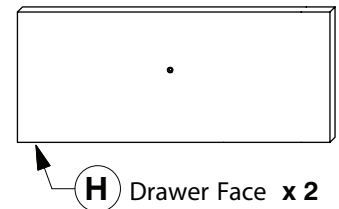
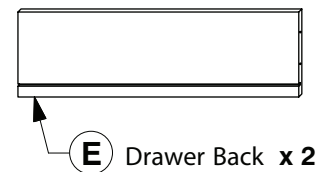
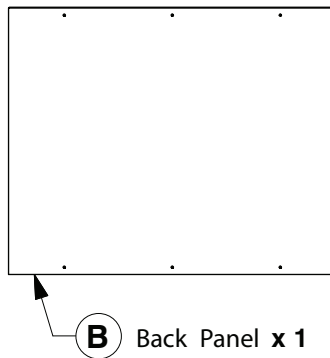
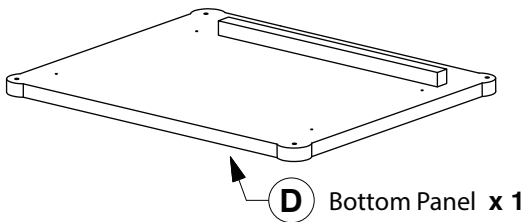
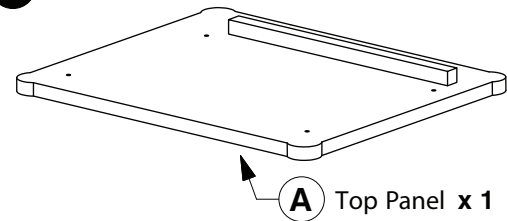
## Assembly Instructions

WI-0825



**Note:** Do not assemble using power tools. This can cause the bolts to be overtightened

### 1 Parts List


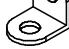
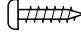
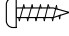
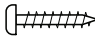
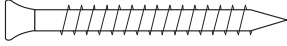
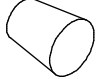




# 9020 2 Drawer Night Stand

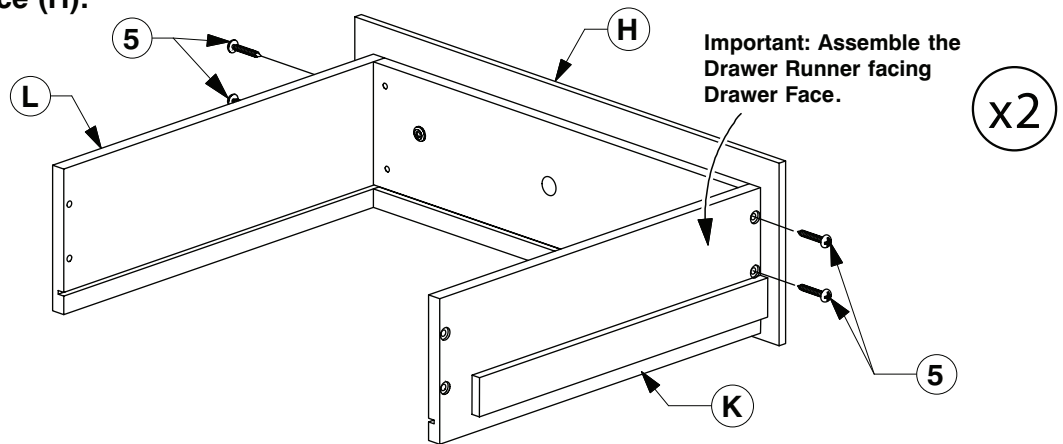
## Assembly Instructions

WI-0825

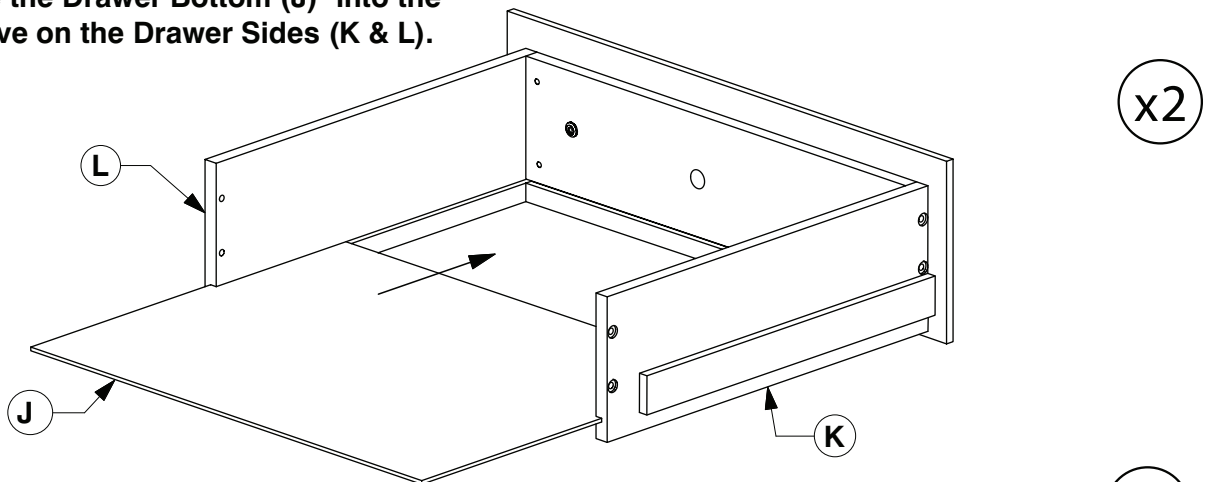
### 2 Hardware List

- |  |  |  |  |   |
|--|--|--|--|---|
| <br><b>1</b> M6 x 15mm JCB x 16                 | <br><b>2</b> 'L' Bracket (5005-3) x 8 | <br><b>3</b> M4 x 20mm Wood Screw x 8 | <br><b>4</b> M4 x 16mm Wood Screw x 6 | <br><b>5</b> M4 x 25mm Wood Screw x 16 |
| <br><b>6</b> CSK Cap Wood Screw (M6 x 60mm) x 4 | <br><b>7</b> Handle (1005) x 2        | <br><b>8</b> M4 x 22mm Wood Screw x 2 | <br><b>9</b> Allen Key x 1            |   |

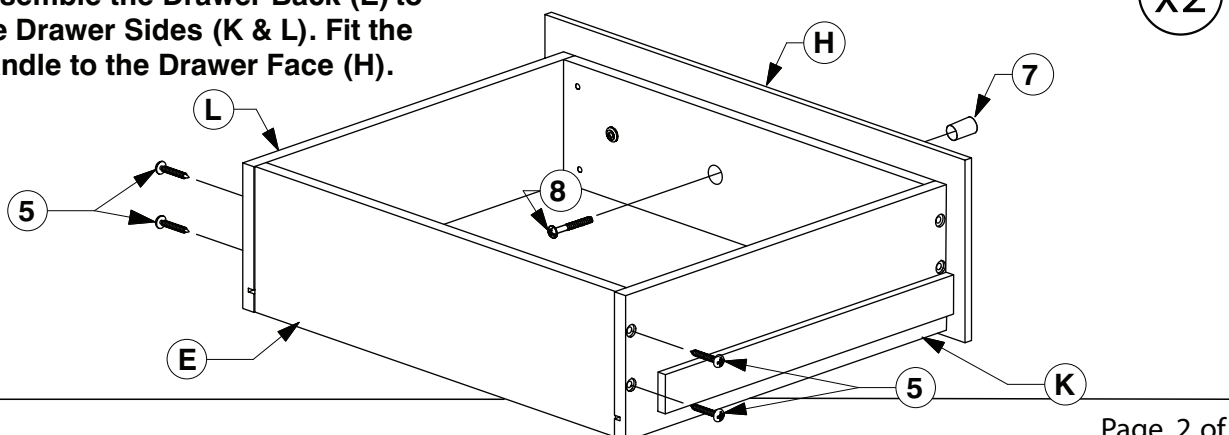
### 3 Assemble the Drawer Sides (K & L) to the Drawer Face (H).



### 4 Slide the Drawer Bottom (J) into the groove on the Drawer Sides (K & L).



### 5 Assemble the Drawer Back (E) to the Drawer Sides (K & L). Fit the Handle to the Drawer Face (H).

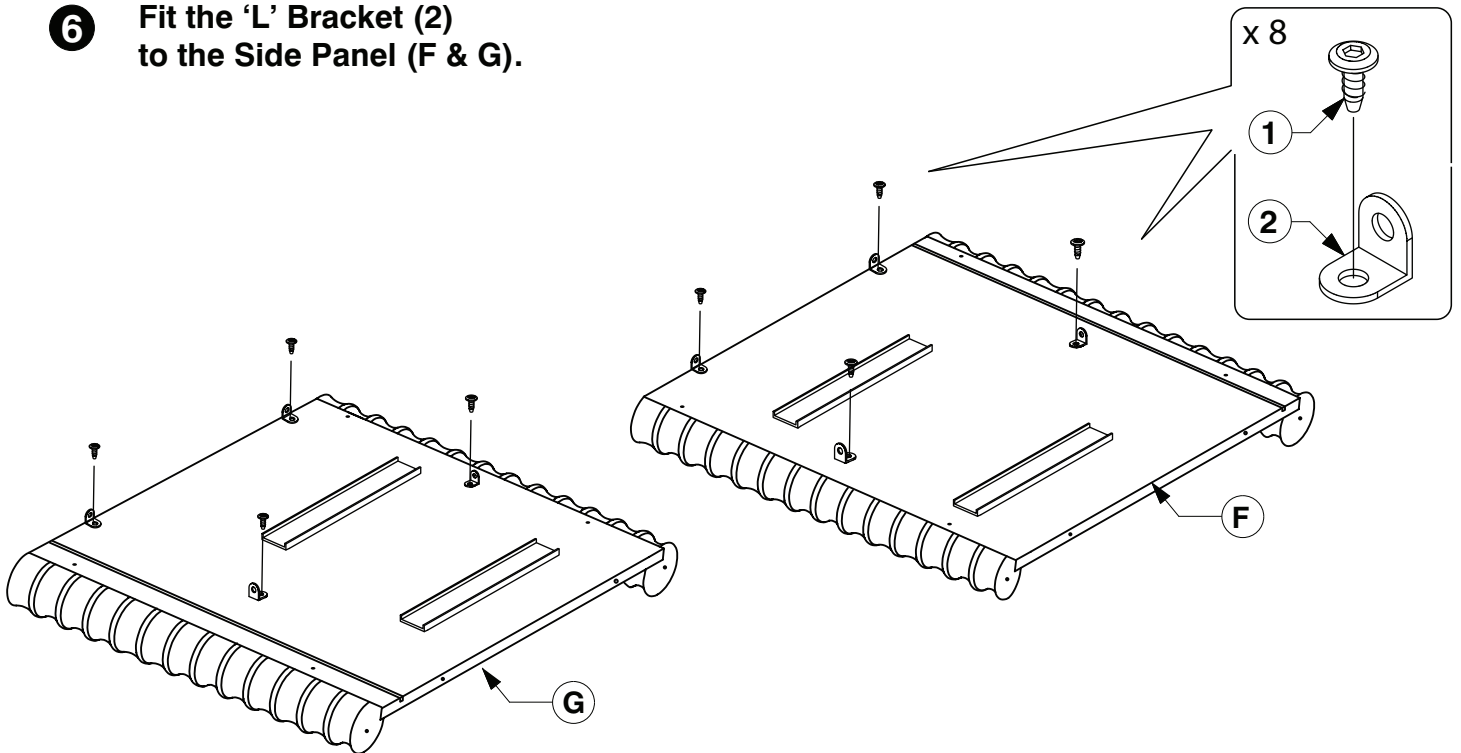


# 9020 2 Drawer Night Stand

## Assembly Instructions

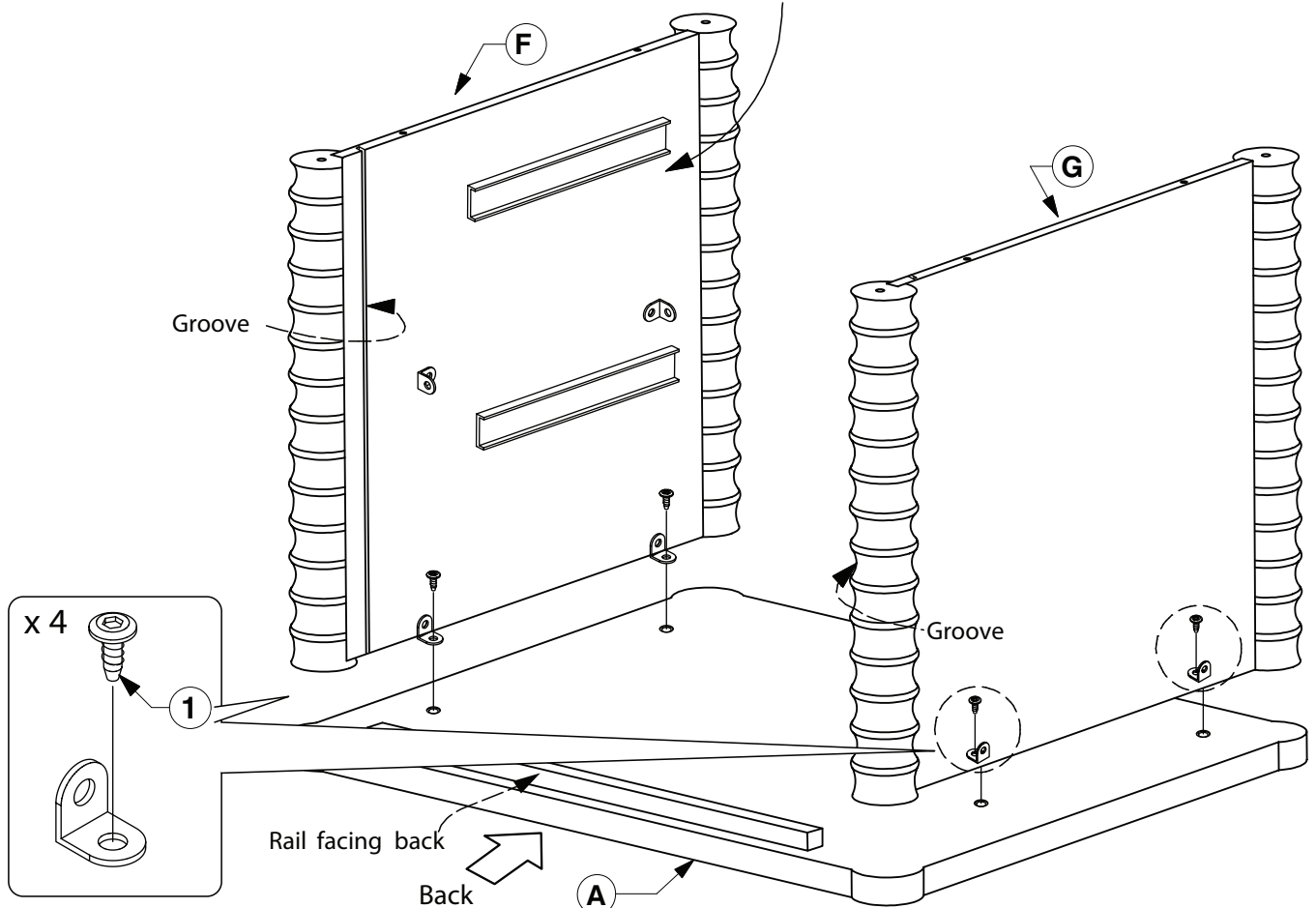
WI-0825

- 6** Fit the 'L' Bracket (2) to the Side Panel (F & G).



- 7** Assemble the Side Panel (F & G) to the Top Panel (A).

**Important:**  
Drawer Runner  
facing front.

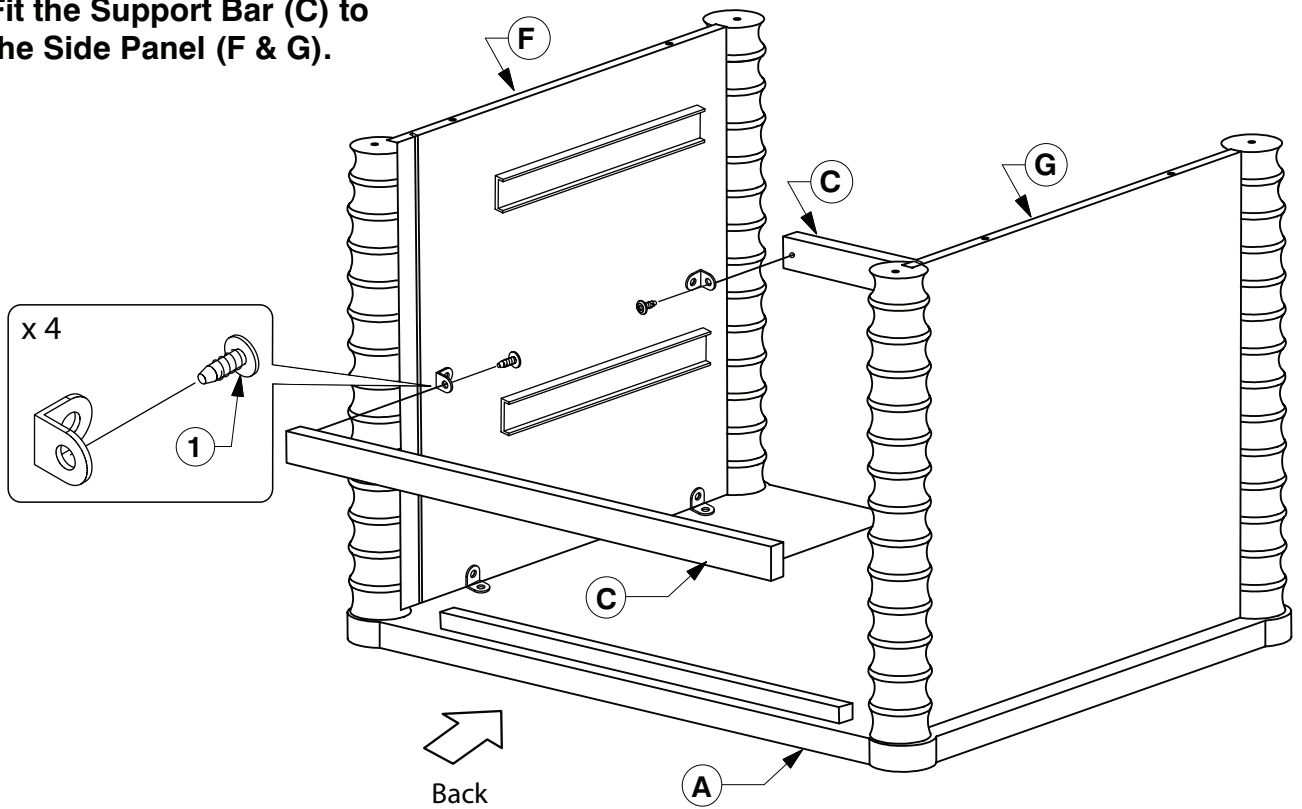


# 9020 2 Drawer Night Stand

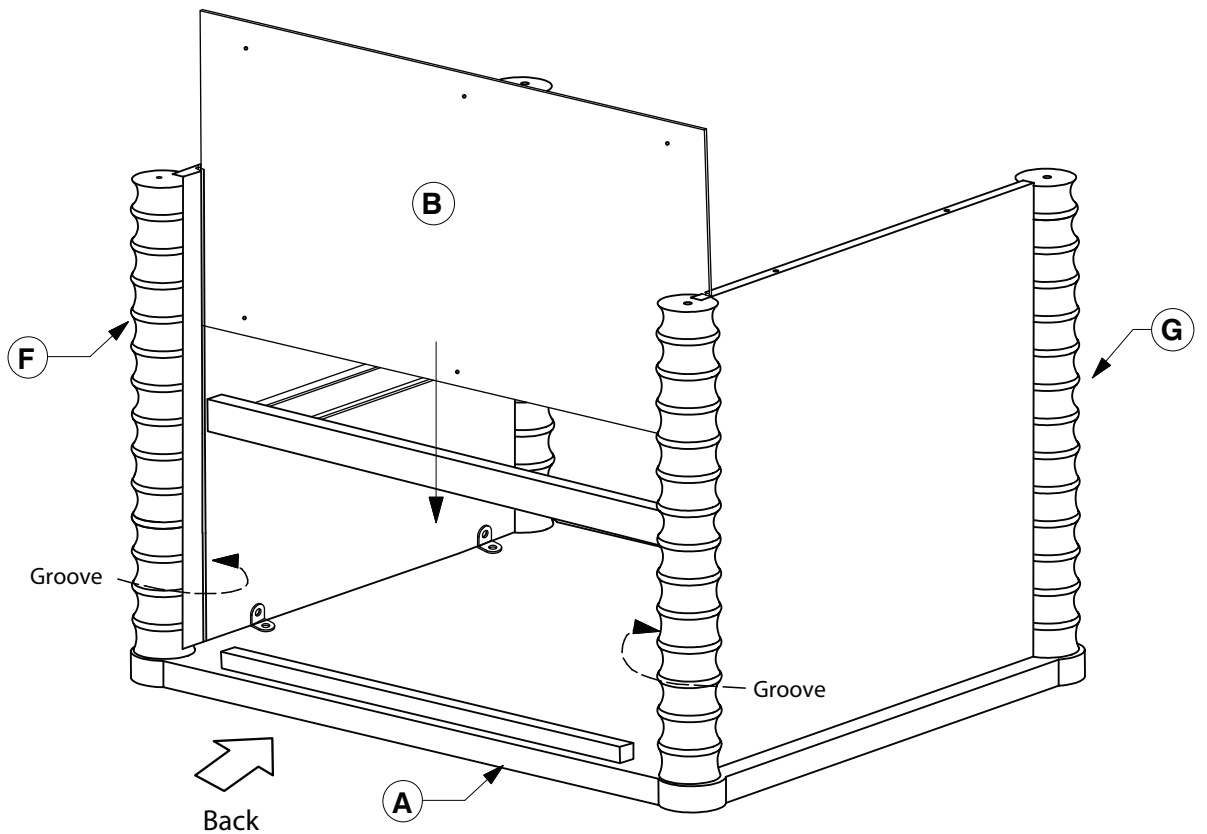
## Assembly Instructions

WI-0825

- 8** Fit the Support Bar (C) to the Side Panel (F & G).



- 9** Slide the Back Panel (B) into the on the back of the Side Panel (F & G).

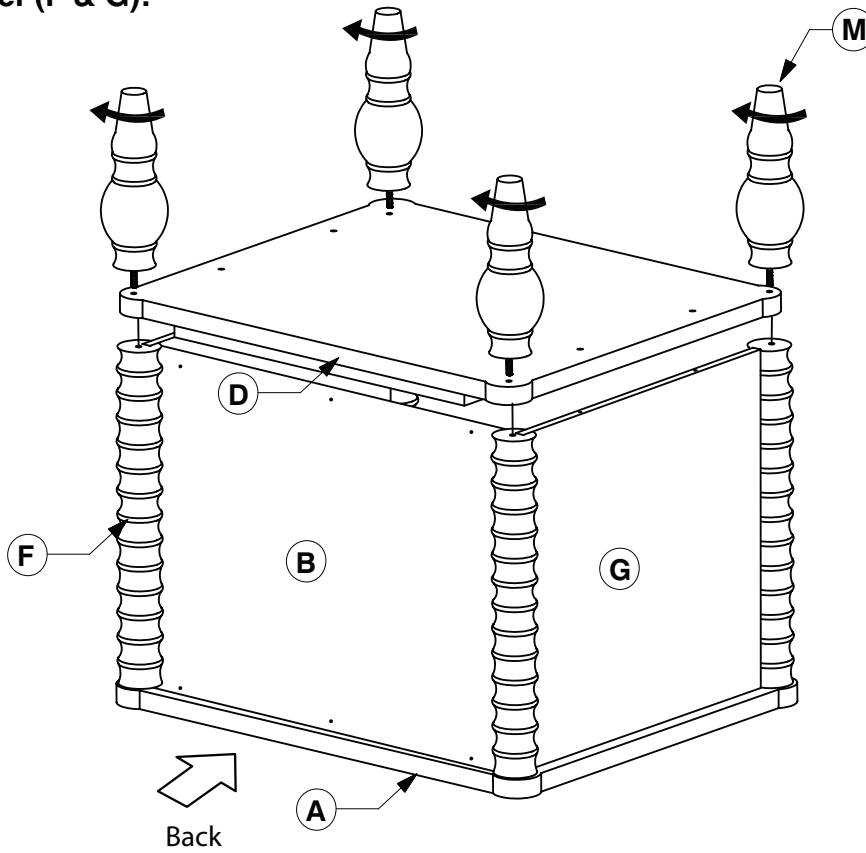


# 9020 2 Drawer Night Stand

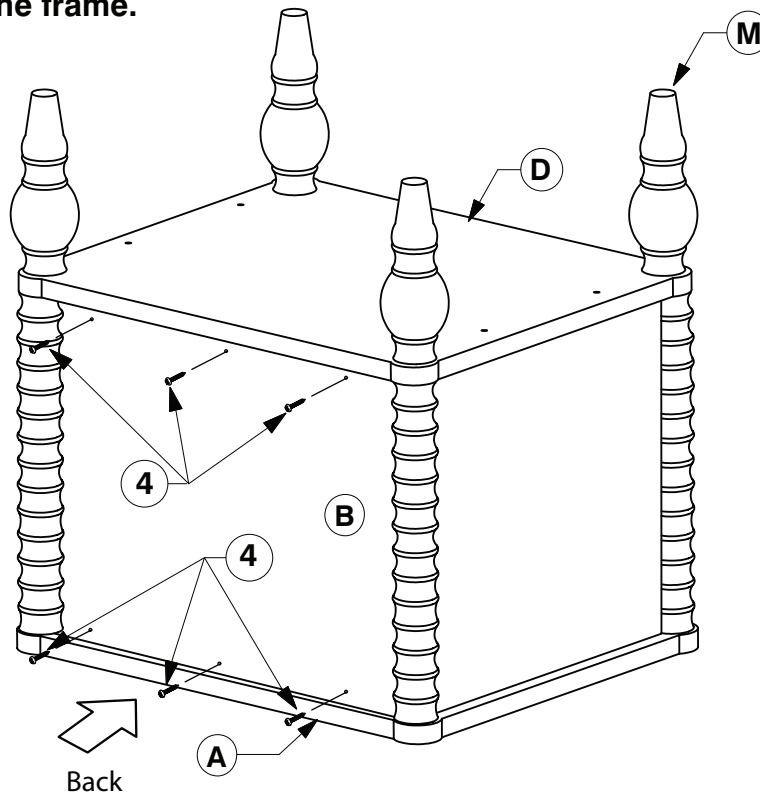
## Assembly Instructions

WI-0825

- 10** Fix the Post (M) and Bottom Panel (D) to the Side Panel (F & G).



- 11** Use screw to tighten the Back Panel (B) to the back of the frame.

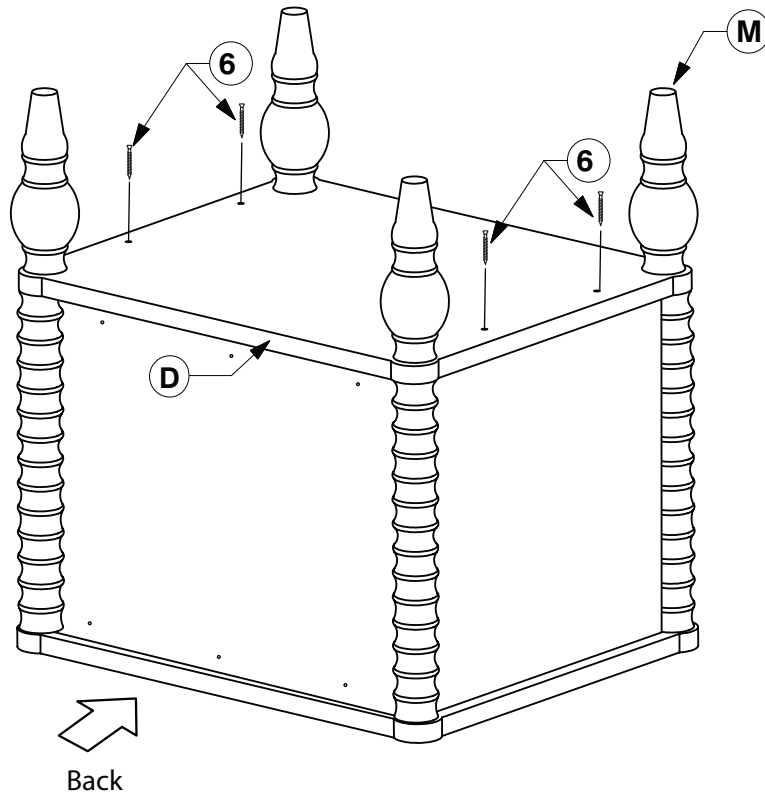


# 9020 2 Drawer Night Stand

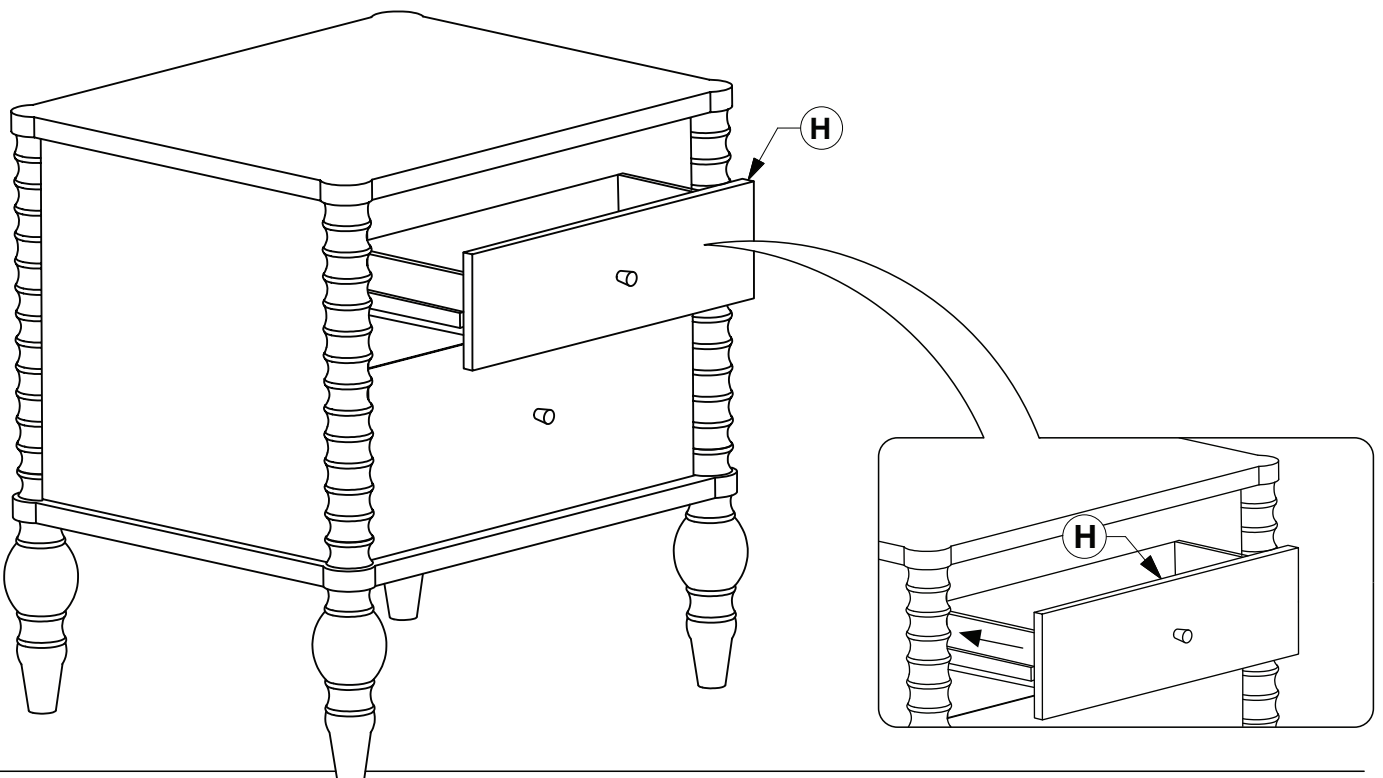
## Assembly Instructions

WI-0825

- 12** Use CSK Cap Wood Screw (6) fit the Bottom Panel (D) to the Side Panel (F & G).



- 13** Fit the Drawer Face (H) to the casegood body.



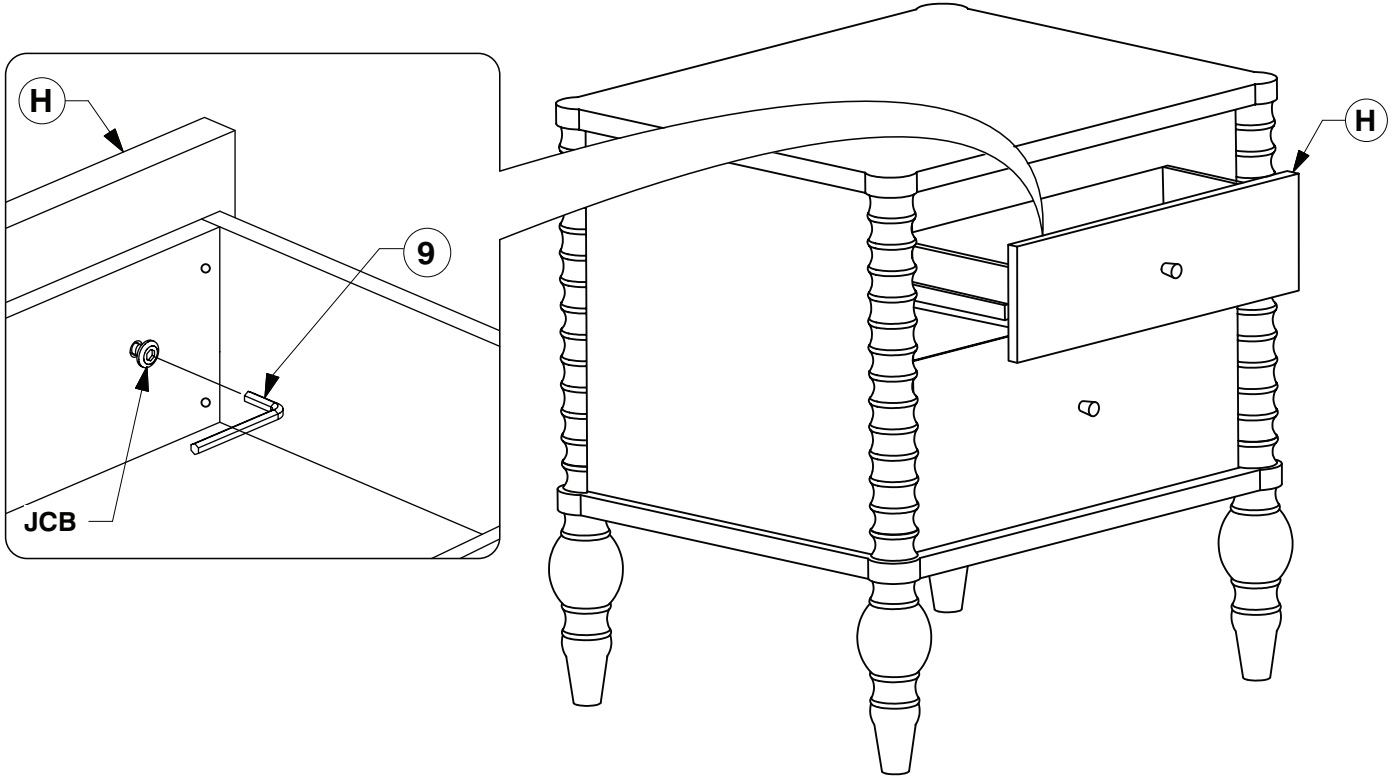
# 9020 2 Drawer Night Stand

## Assembly Instructions

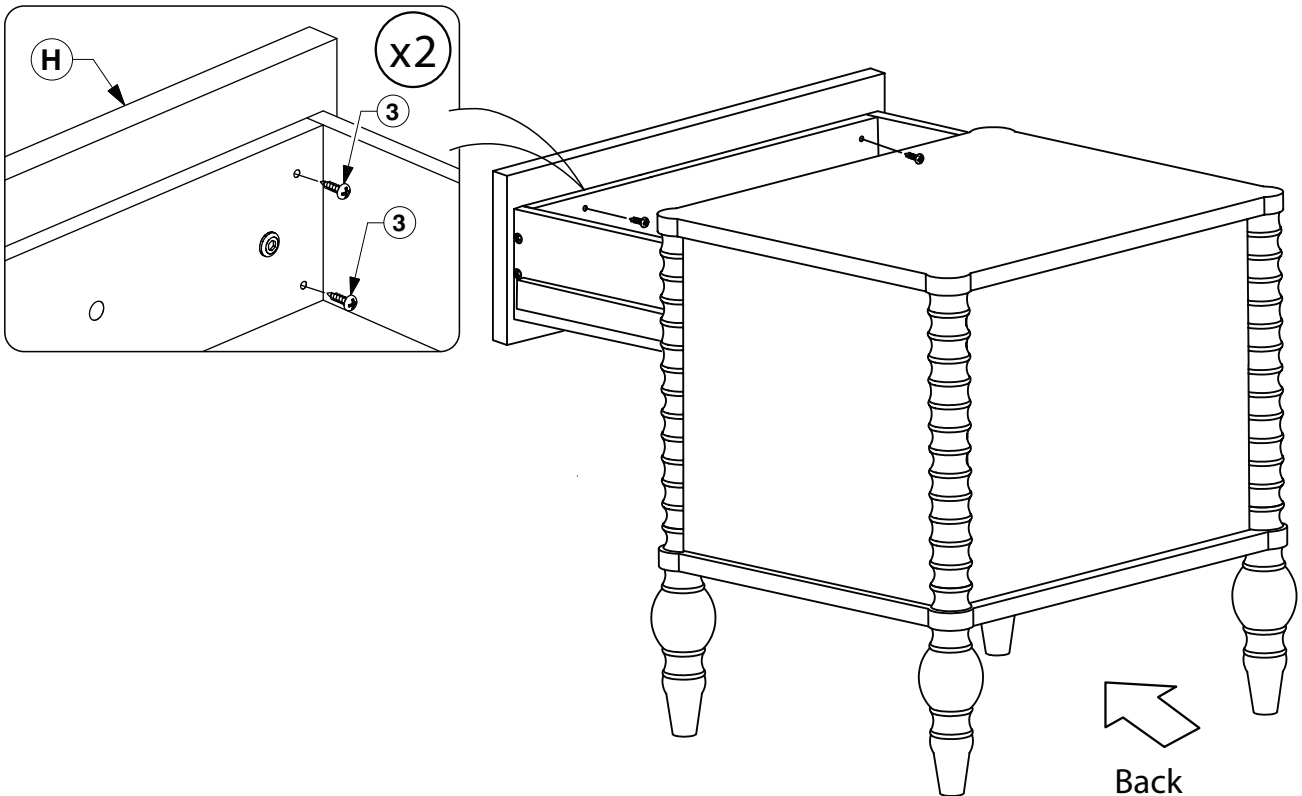
WI-0825

### 14 Adjust the Drawer Face (H).

\* NOTE: Before fitting the Wood Screws .  
Loosen the JCBs on the Drawer Face if  
the face needs alignment .



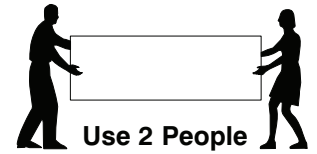
### 15 After the Drawer Faces (H) are aligned, secure with wood screws.



# 9020 4 Drawer Chest

## Assembly Instructions

WI-0825



**Note:** Do not assemble using power tools. This can cause the bolts to be overtightened

### WARNING



Anti Tipping Kit  
Anti Tipping Kit x 1



Children have died from furniture tipover.

To reduce the risk of furniture tipover:

- ALWAYS install anti-tip device provided.
- NEVER put a TV on this product.
- NEVER allow children to stand, climb, or hang on any drawers, doors or shelves.
- NEVER open more than one drawer at a time.
- DO NOT defeat or remove the drawer interlock system; it is an important stability and safety system.
- Place heaviest items in the lowest drawer.

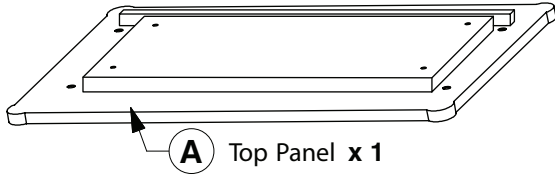
# 9020 4 Drawer Chest

## Assembly Instructions

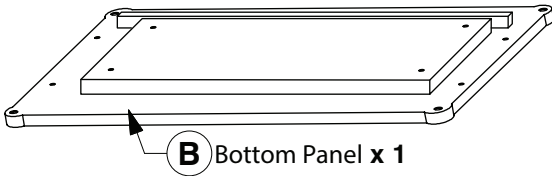
WI-0825

### 1 Parts List

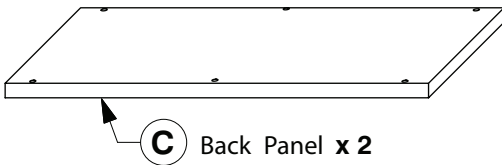
Parts in Box A:



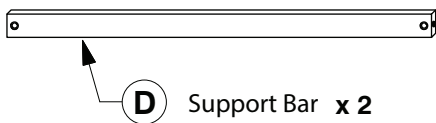
**A** Top Panel x 1



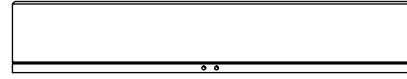
**B** Bottom Panel x 1



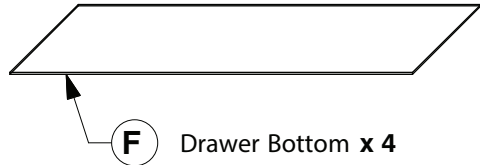
**C** Back Panel x 2



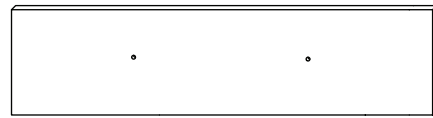
**D** Support Bar x 2



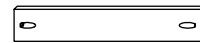
**E** Drawer Back x 4



**F** Drawer Bottom x 4

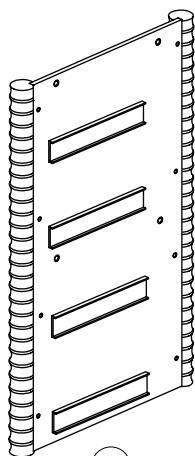


**G** Drawer Face x 4

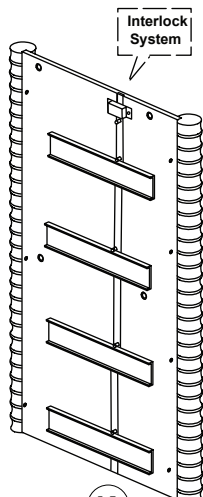


**H** Drawer Rail x 4

Parts in Box B:

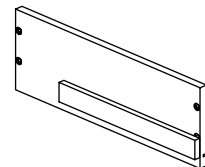


**J** Side Panel  
(Left Hand) x 1

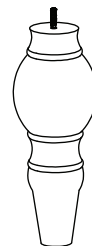
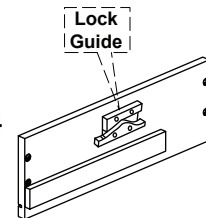


**K** Side Panel  
(Right Hand) x 1

**L** Drawer Side  
(Left Hand) x 4



**M** Drawer Side  
(Right Hand) x 4



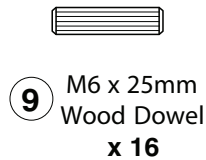
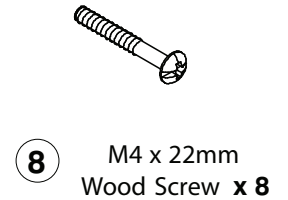
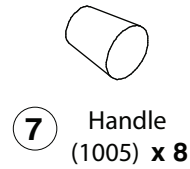
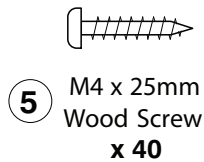
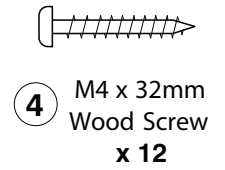
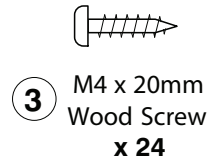
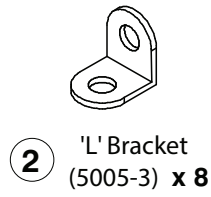
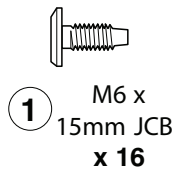
**N** Post x 4

# 9020 4 Drawer Chest

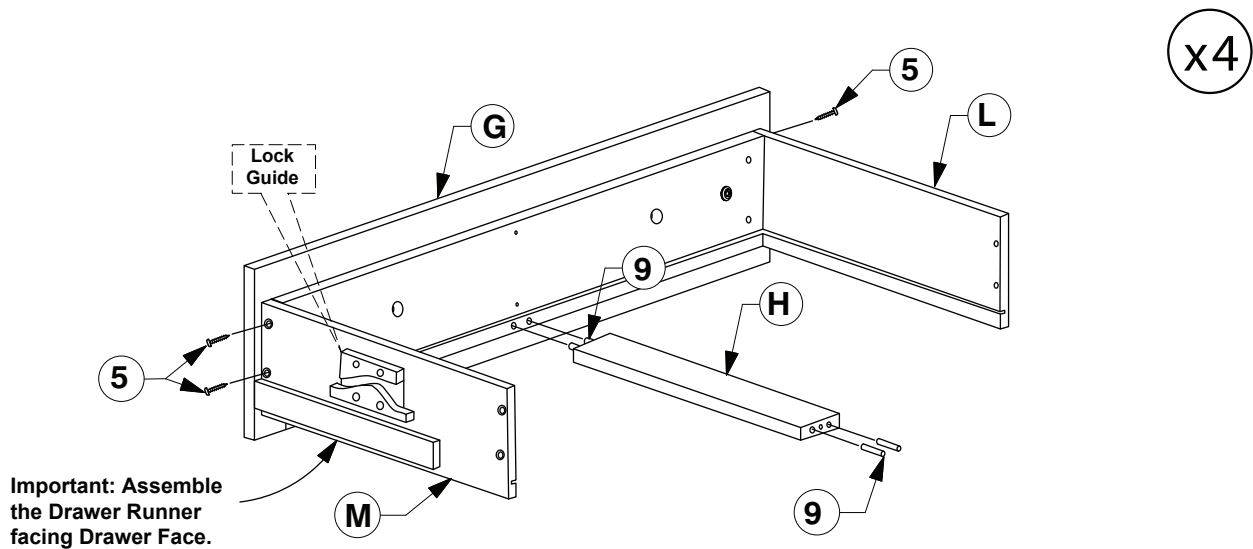
## Assembly Instructions

WI-0825

### 2 Hardware List



### 3 Assemble the Drawer Sides (L & M) & Drawer Rail (H) to the Drawer Face (G).



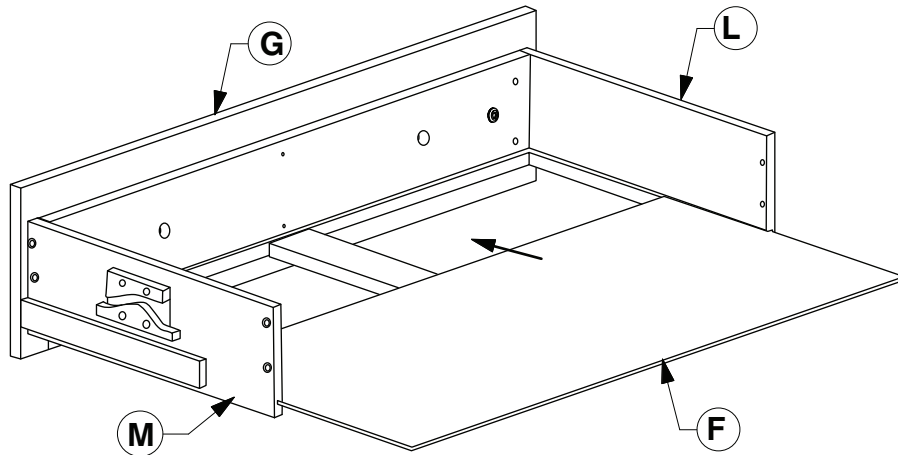
# 9020 4 Drawer Chest

## Assembly Instructions

WI-0825

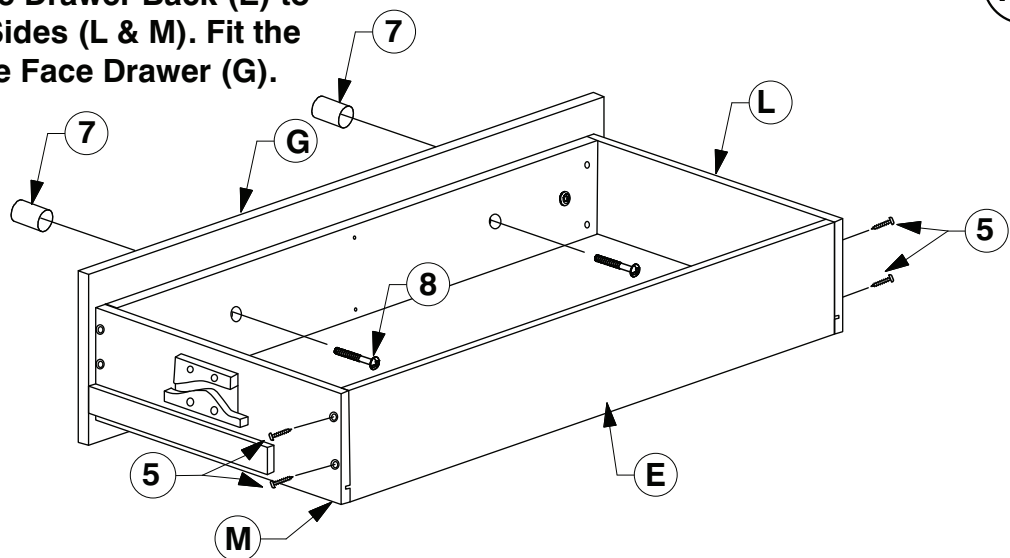
- 4** Slide the Drawer Bottom (F) into the groove on the Drawer Sides (L & M).

x4



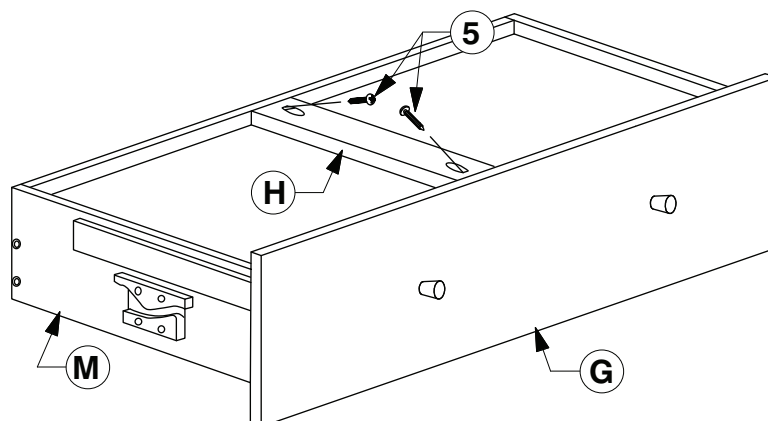
- 5** Assemble the Drawer Back (E) to the Drawer Sides (L & M). Fit the Handle to the Face Drawer (G).

x4



- 6** Turn the Drawer over to fit angled 25mm Wood screws (5) to the Drawer Rail (H).

x4

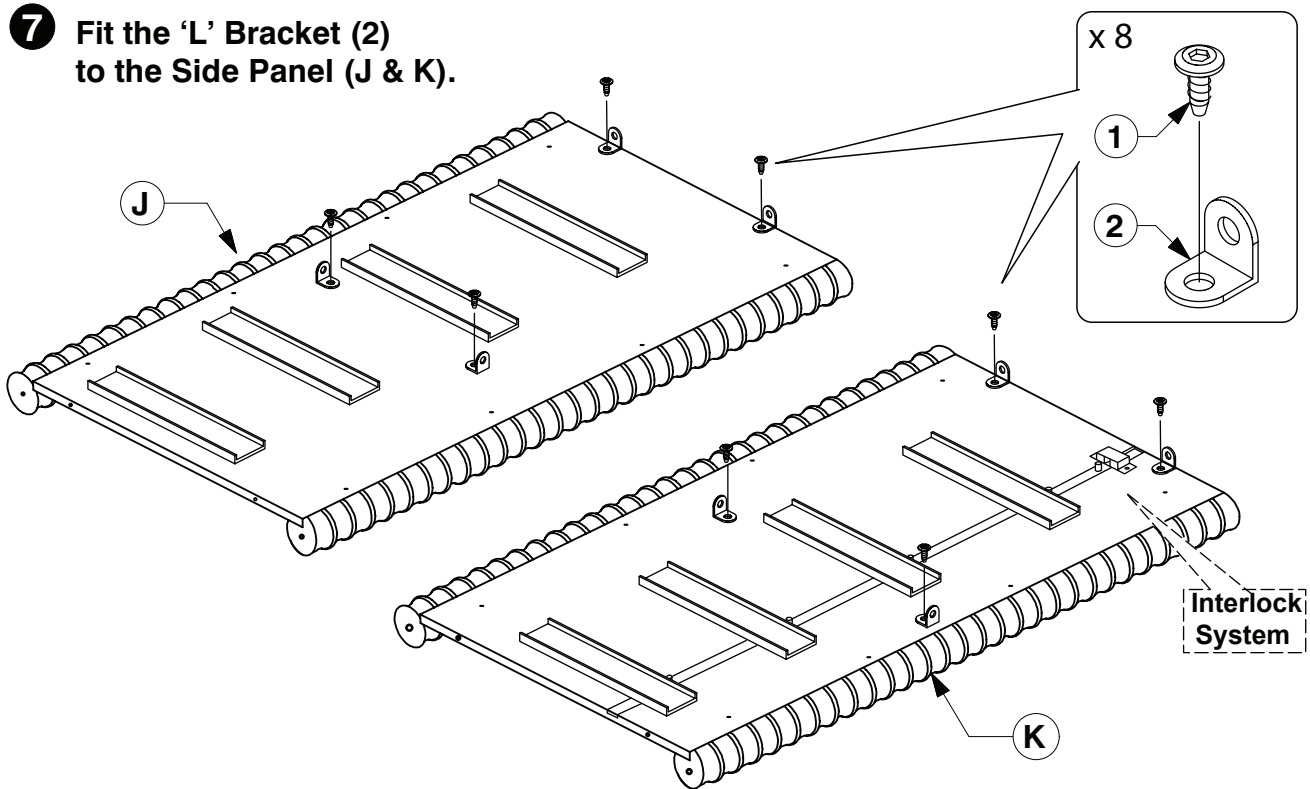


# 9020 4 Drawer Chest

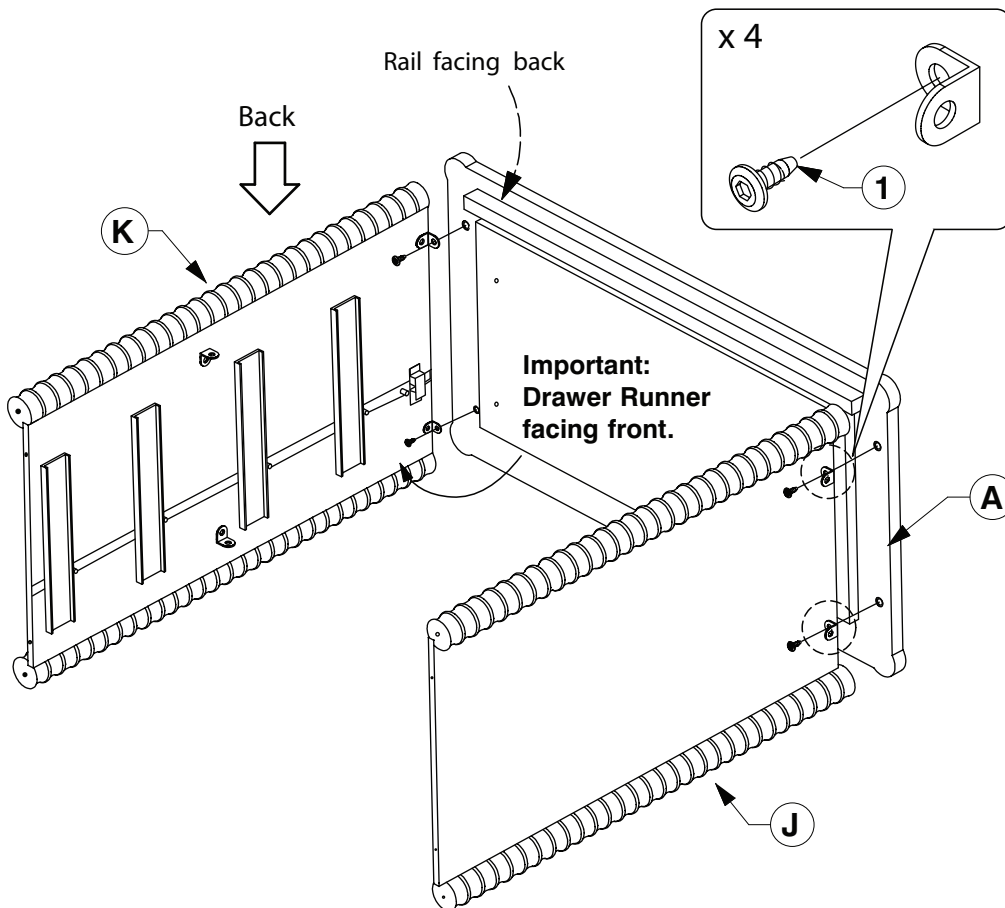
## Assembly Instructions

WI-0825

- 7** Fit the 'L' Bracket (2) to the Side Panel (J & K).



- 8** Assembled the Top Panel (A) to the Side Panel (J & K).

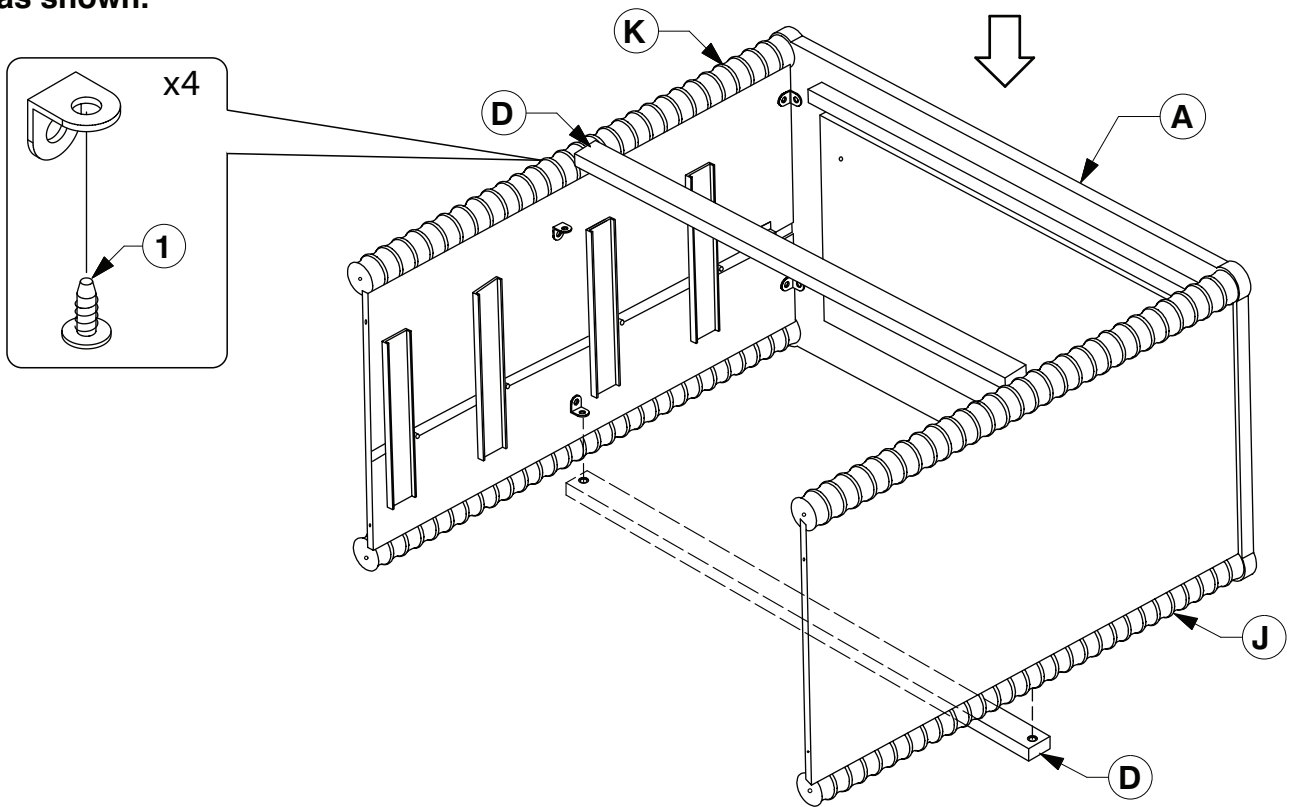


# 9020 4 Drawer Chest

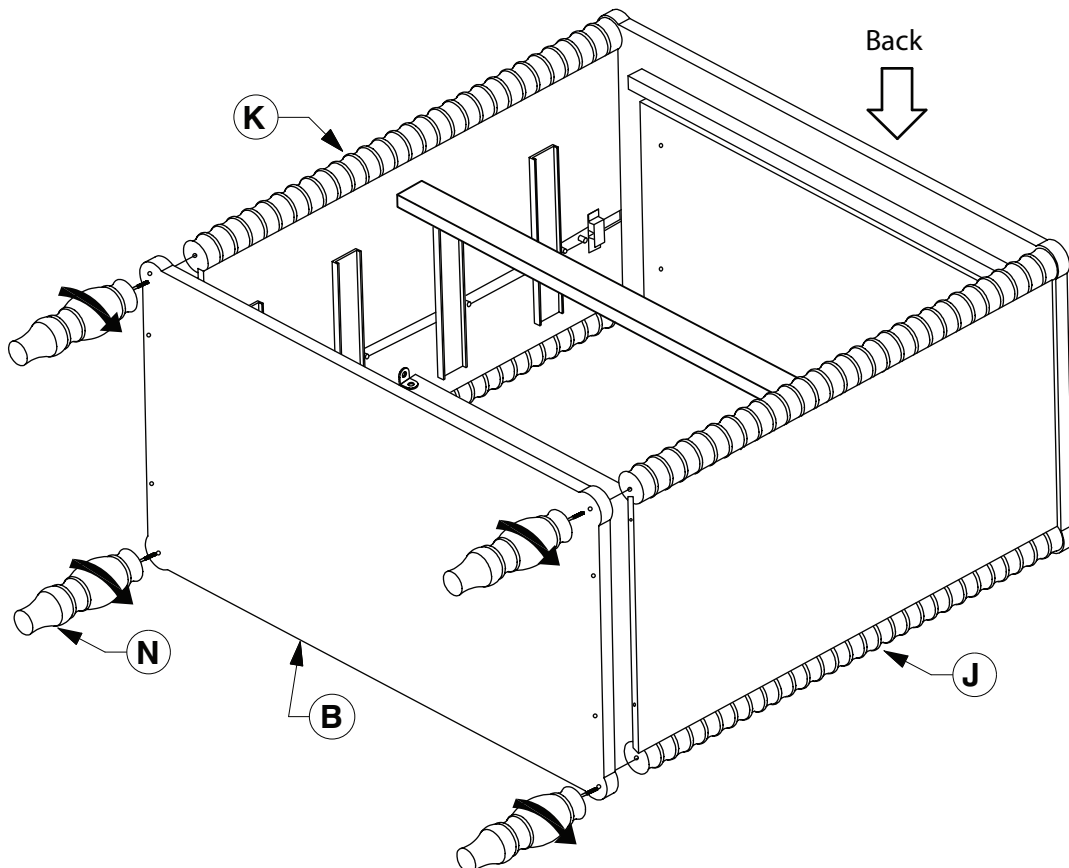
## Assembly Instructions

WI-0825

- 9** Fit the Support Bar (D) to the Side Panel (J & K) as shown.



- 10** Fix the Post (N) and Bottom Panel (B) to the Side Panel (J & K).

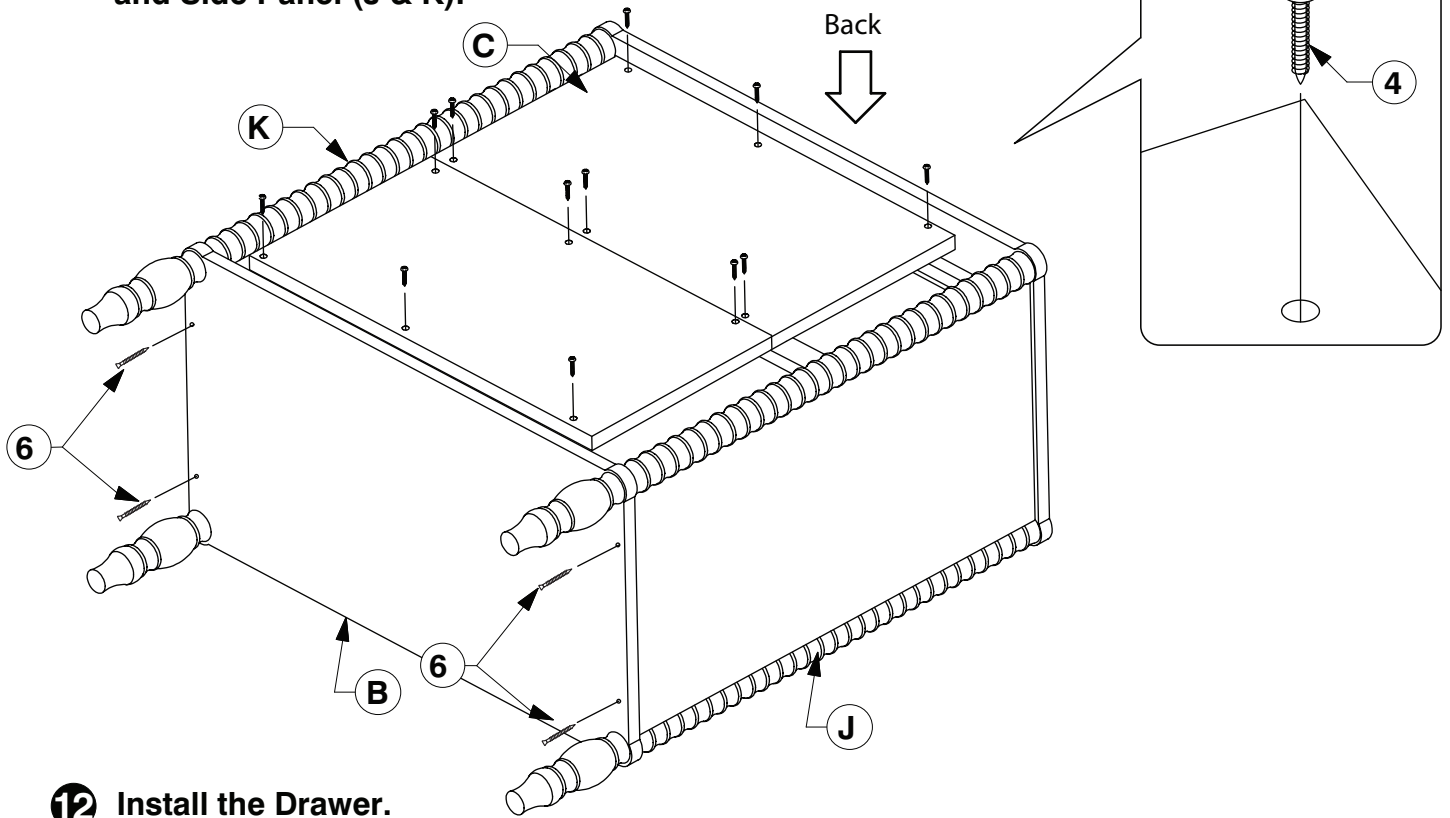


# 9020 4 Drawer Chest

## Assembly Instructions

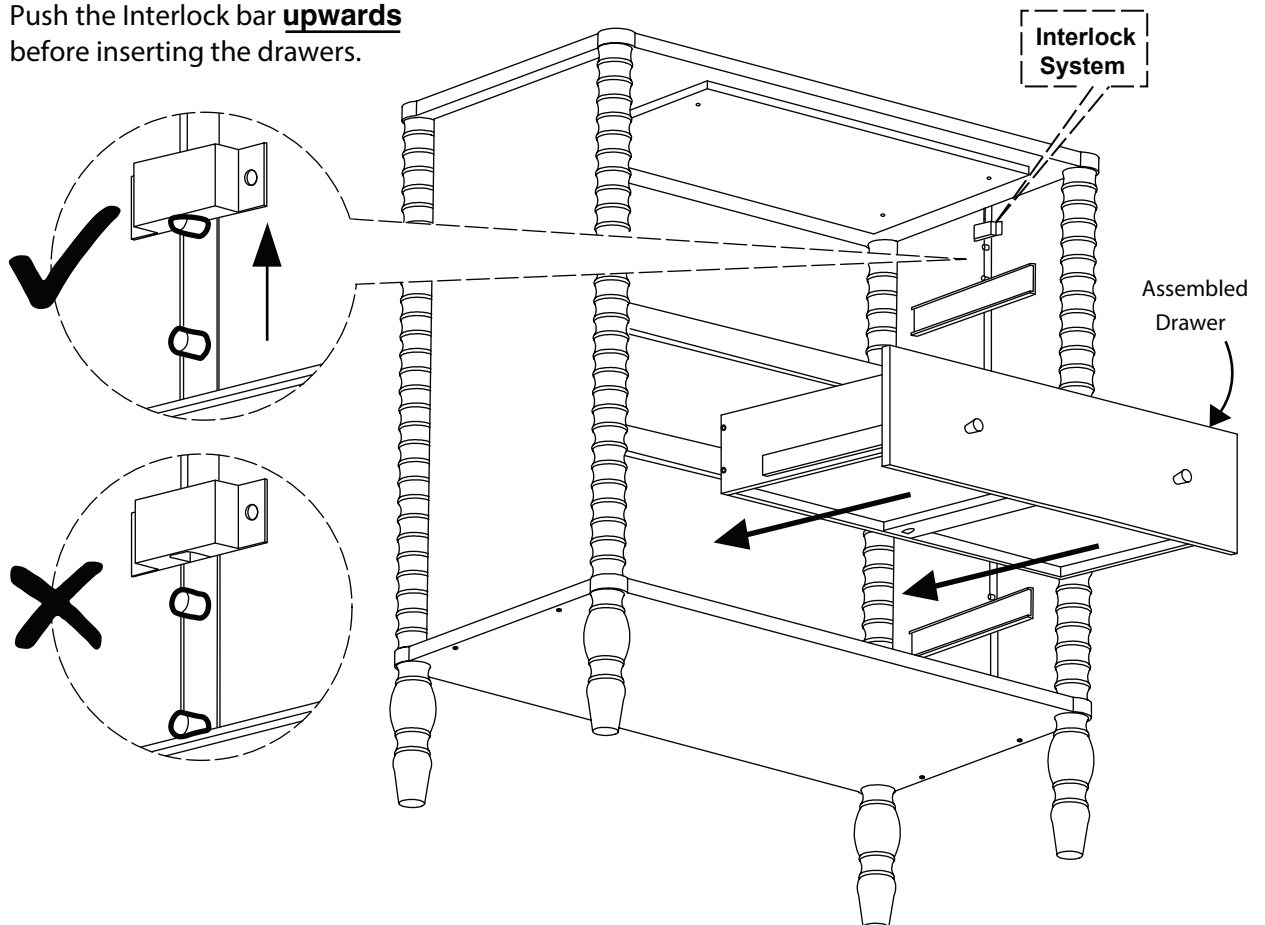
WI-0825

- 11** Attached the Back Panel (C) to the back of the frame. Use CSK Cap Wood Screw (6) to fit the Bottom Panel (B) and Side Panel (J & K).



- 12** Install the Drawer.

- Push the Interlock bar **upwards** before inserting the drawers.



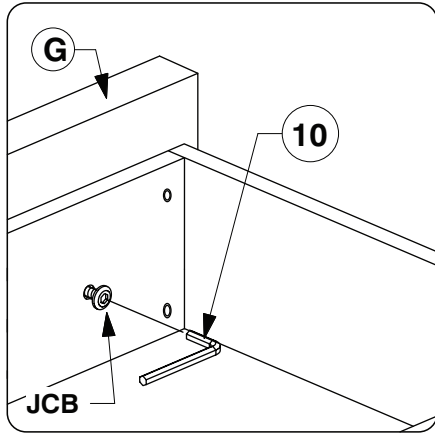
# 9020 4 Drawer Chest

## Assembly Instructions

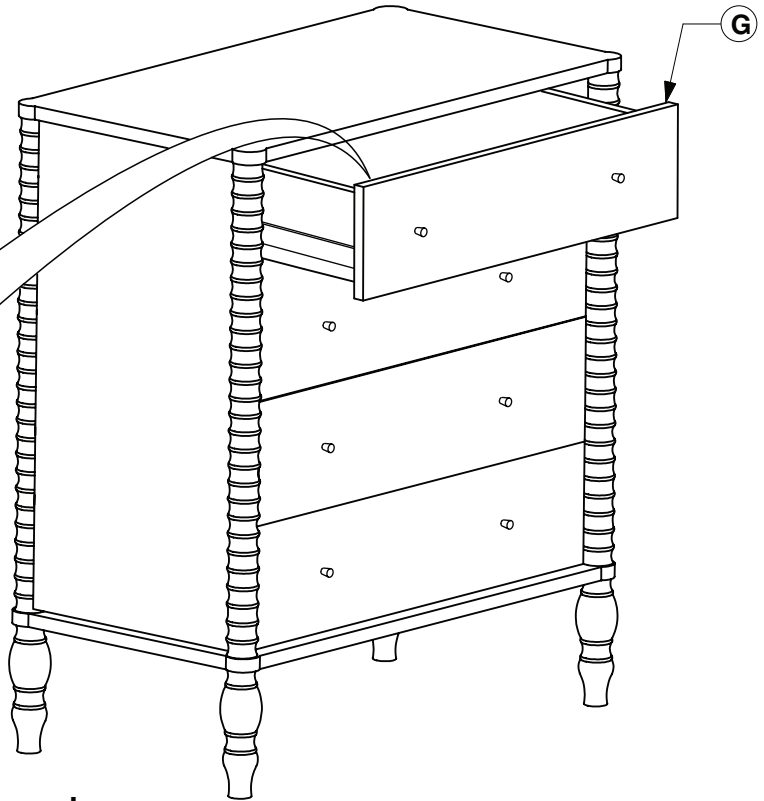
WI-0825

### 13 Fit and adjust the Drawer Face (G)

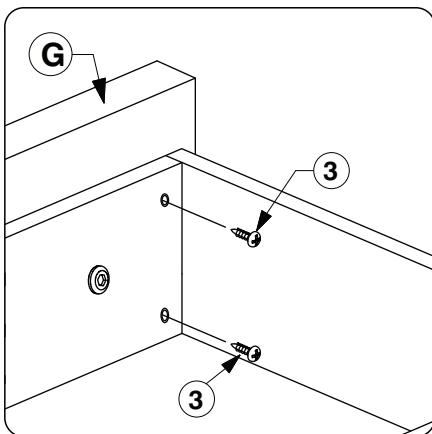
\* NOTE: Before fitting the Wood Screws .  
Loosen the JCBs on the Drawer Face if  
the face needs alignment .



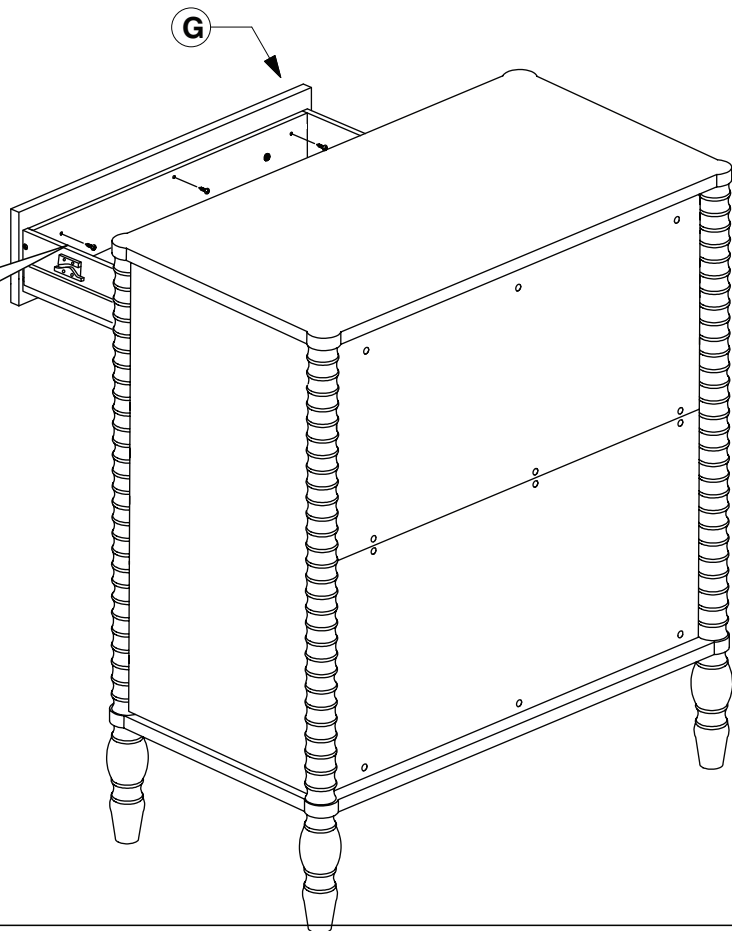
\* NOTE: Only one Drawer can be open  
at a time.



### 14 After the Drawer Faces (G) are aligned secure with wood screws.



\* NOTE: Only one Drawer can be open  
at a time.



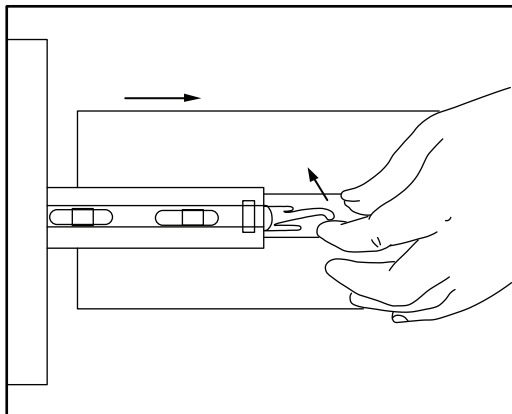
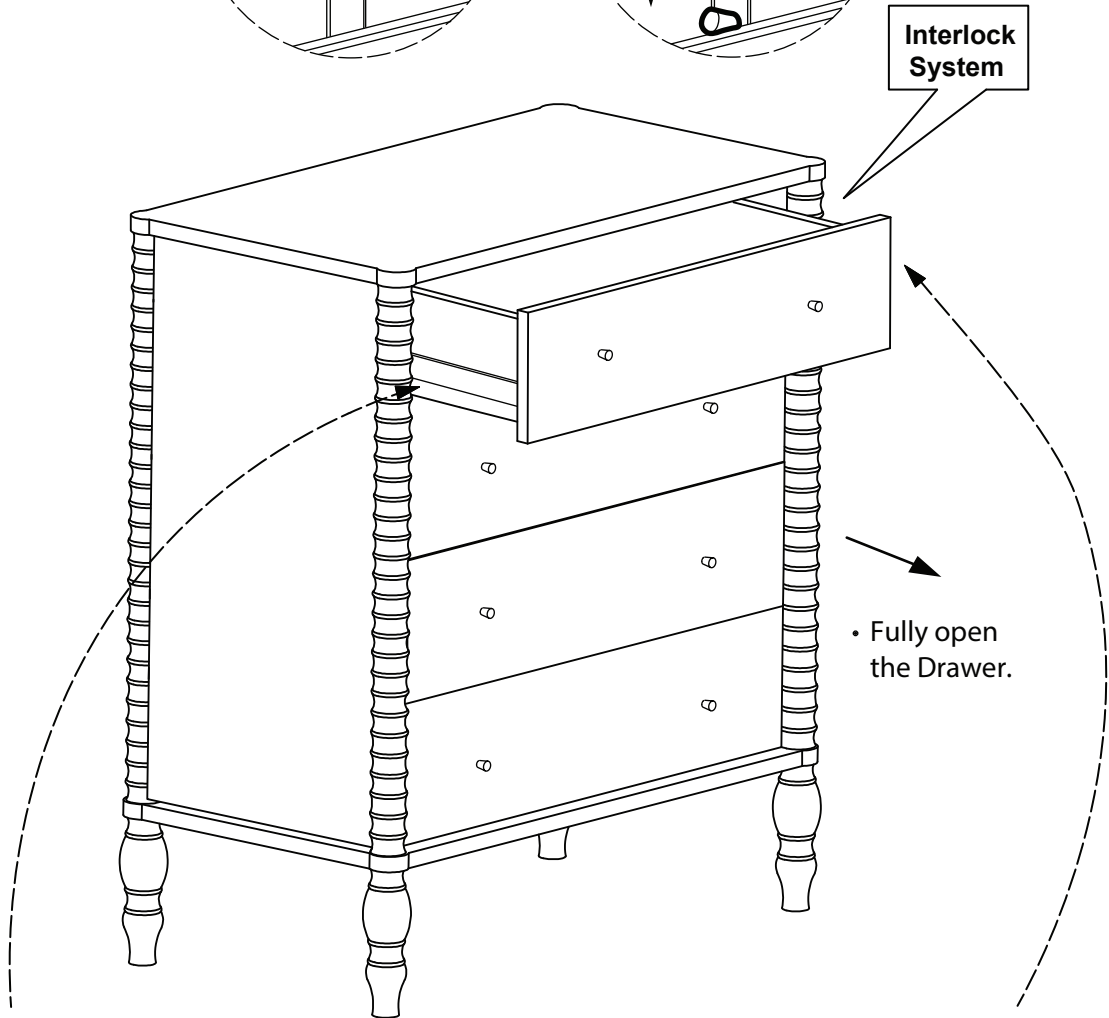
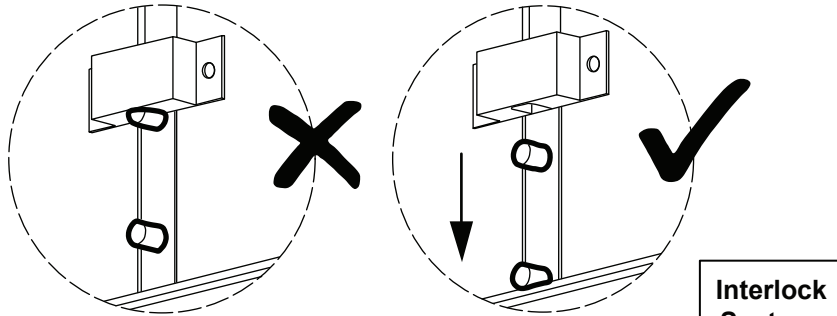
# 9020 4 Drawer Chest

## Assembly Instructions

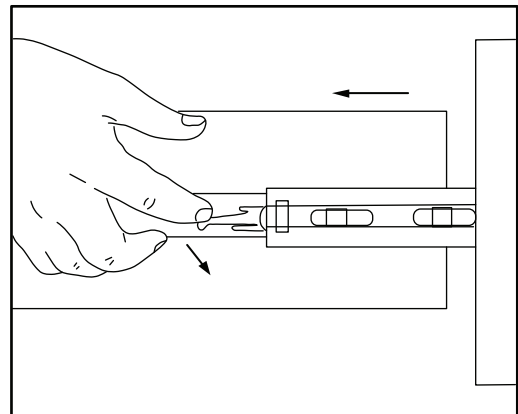
WI-0825

### 15 Remove the Drawers.

- After removing the top drawer, push the interlock bar **down**. Then remove the lower drawers.



- Lift the **LEFT** side clip up.



- Push the **RIGHT** side clip down.