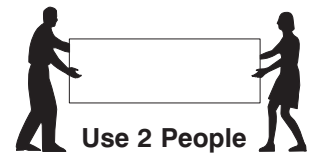
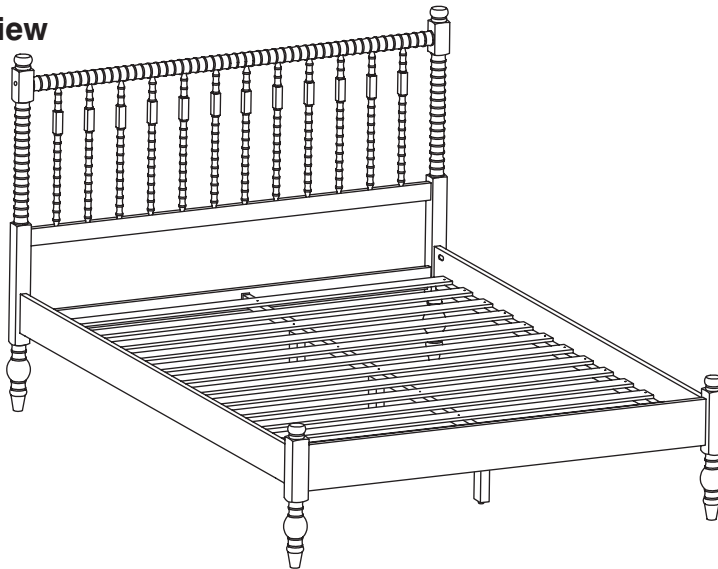


0259 Full Bed

Assembly Instructions

WI-0825

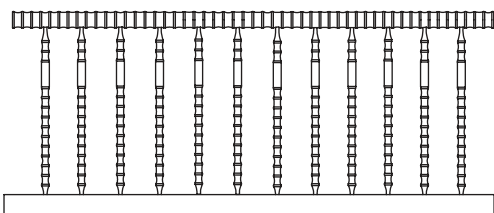
1 Assembled View



Note: Do not assemble using power tools. This can cause the bolts to be overtightened

2 Parts List

Parts in Box A:



A Headboard Panel
x 1



B Headboard Support x 1



C Footboard Panel x 1



D
Headboard Post (Left)
x 1



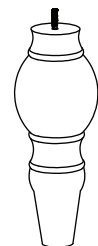
E
Headboard Post (Right)
x 1



F
Footboard Post (Left)
x 1



G
Footboard Post (Right)
x 1



H
Lower Post
x 4

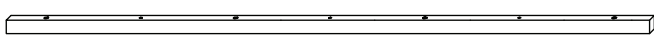
Parts in Box B:



J Footboard Support
x 1



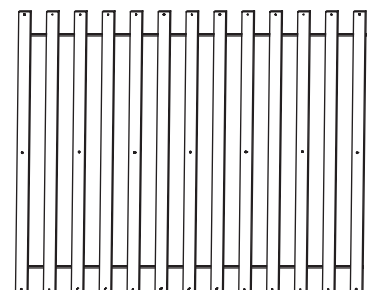
K Side Rail x 2



L Long Support x 1



M
Support Leg
x 3



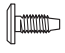
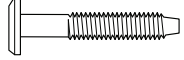

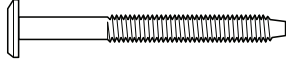


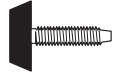




N Set of Bed Slats
x 1

0259 Full Bed

Assembly Instructions

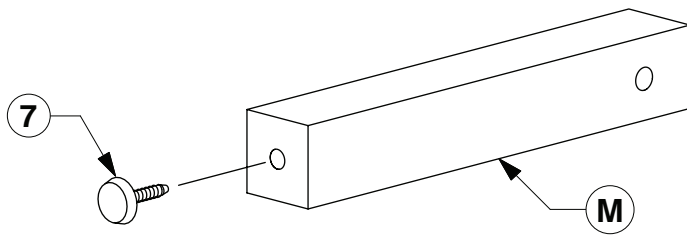
WI-0825

3 Hardware List

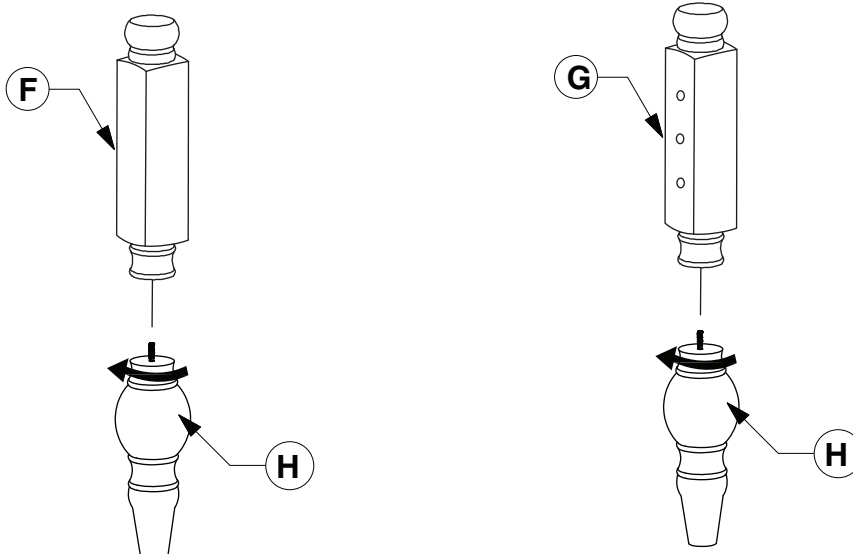
- | | | | | | |
|--|---|---|--|---|--|
| 
1 M6 x 15mm
JCB x 4 | 
2 M6 x
30mm JCB
x 2 | 
3 M6 x 40mm
JCB x 36 | 
4 M6 x
70mm JCB
x 2 | 
5 M6 x 100mm JCB
x 3 | |
| 
6 Wood Screw
(M4 x 32mm) x 12 | 
7 Adjustable
Foot x 3 | 
8 Wood Dowel
(10 x 40mm) x 6 | 
9 Barrel Nut
x 3 | 
10 Center Rail
Bracket x 2 | 
11 M4 Allen Key
x 1 |

4 Fix the Adjustable foot to the bottom of the Support Leg (M).

x3



5 Fix the Footboard Post (F & G) to the Lower Post (H).

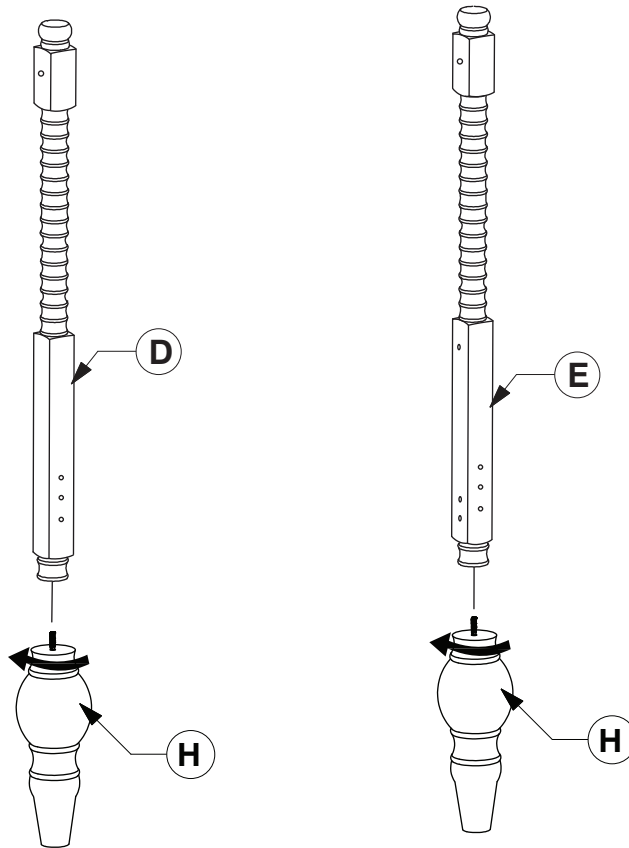


0259 Full Bed

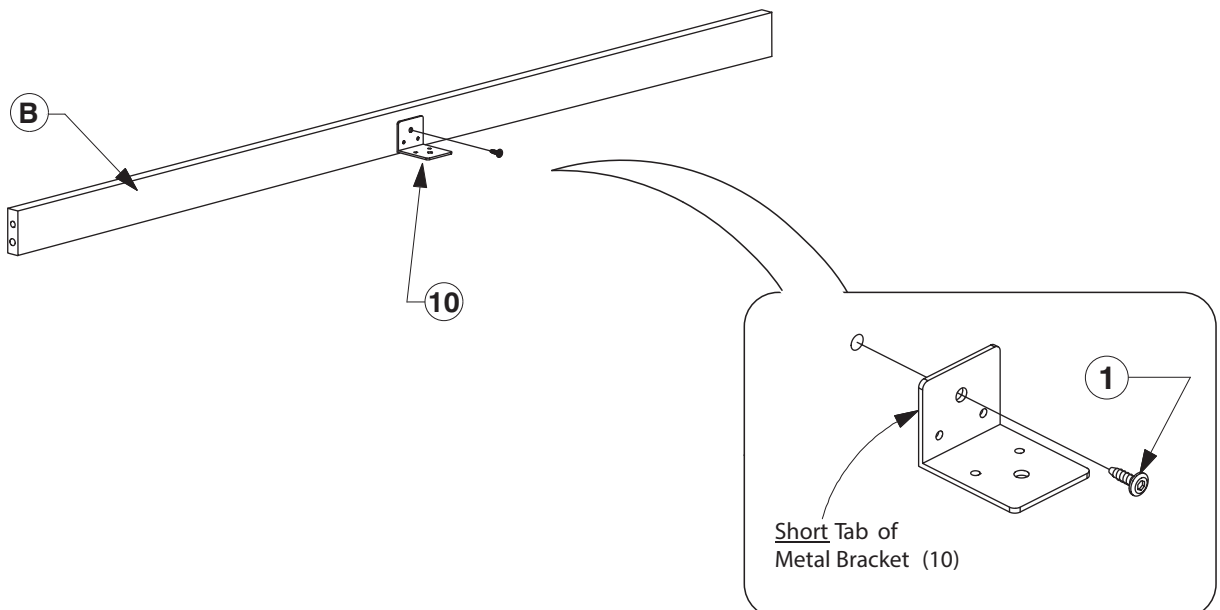
Assembly Instructions

WI-0825

6 Assemble Headboard Post (D & E) to the Lower Post (G).



7 Fit the Center Rail Bracket (10) to the Headboard Support (B).

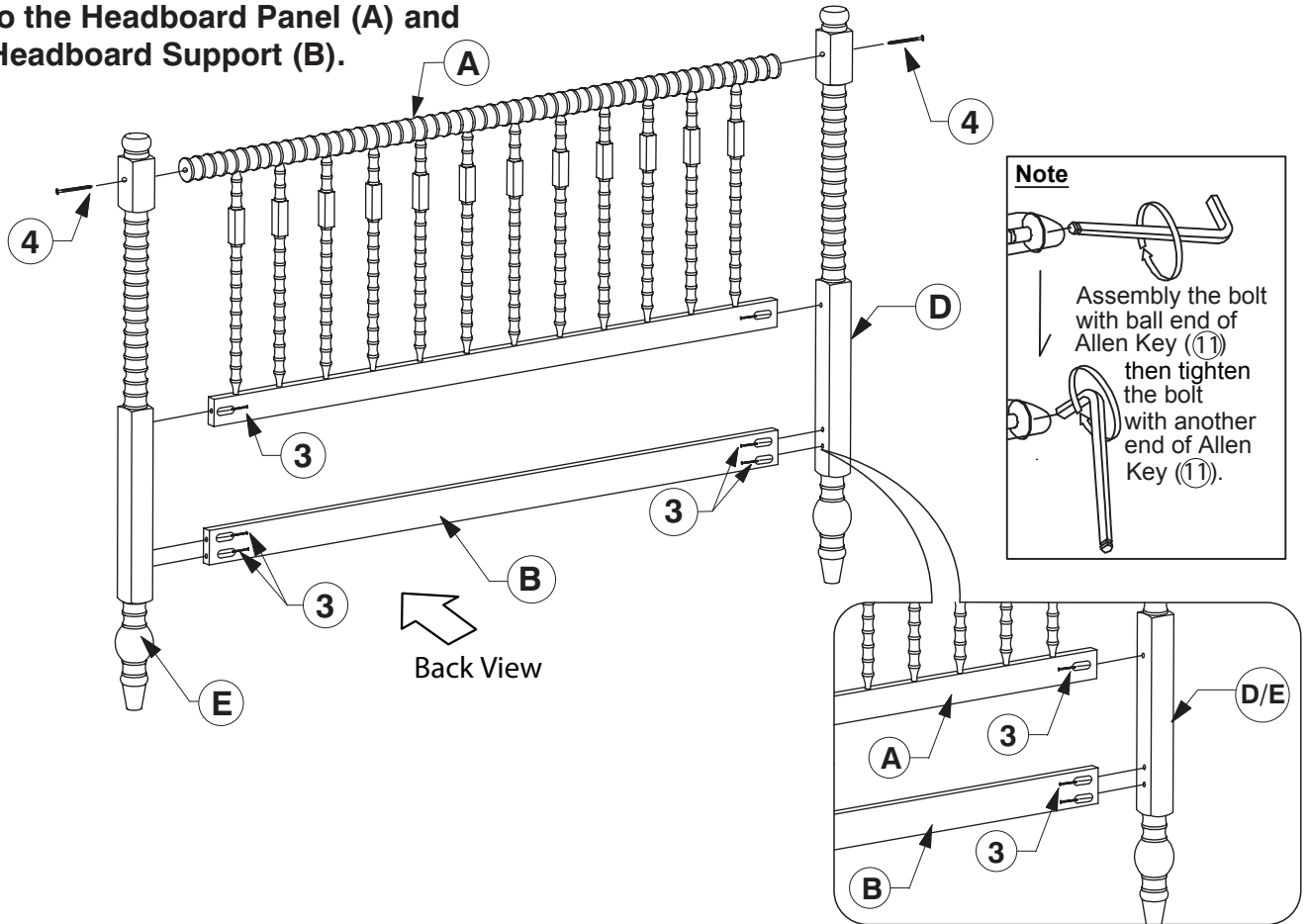


0259 Full Bed

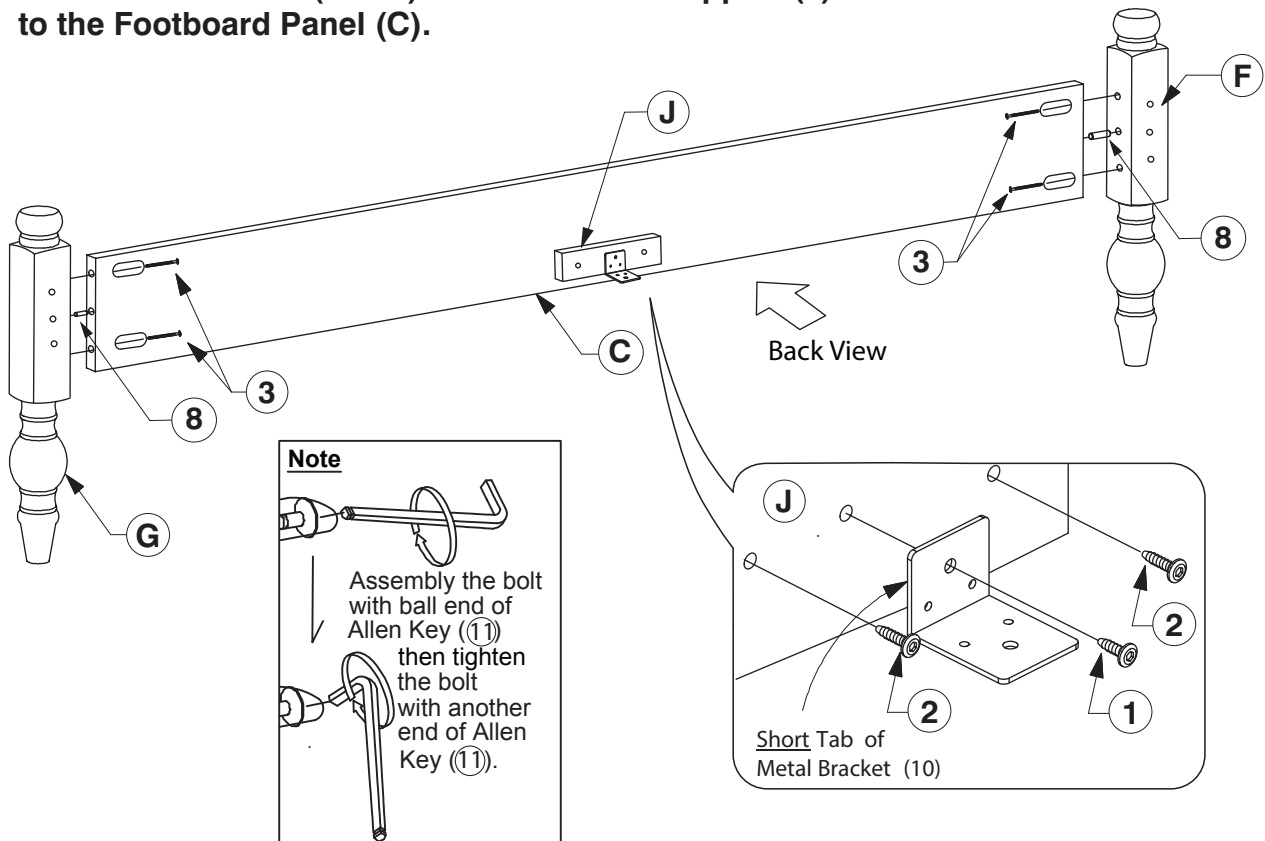
Assembly Instructions

WI-0825

- 8** Assembled the Headboard Post (D & E) to the Headboard Panel (A) and Headboard Support (B).



- 9** Assemble the Post (F & G) and Footboard Support (J) to the Footboard Panel (C).

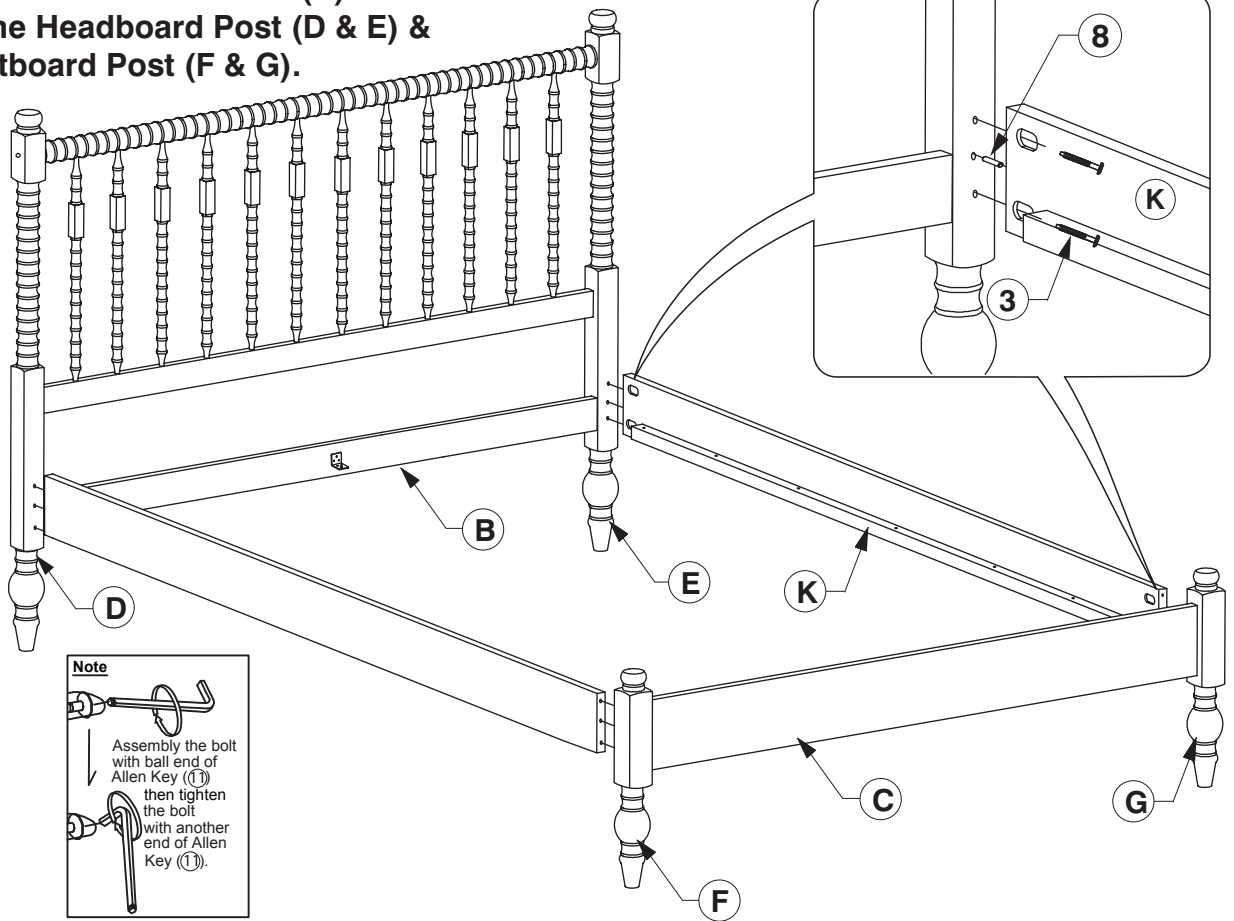


0259 Full Bed

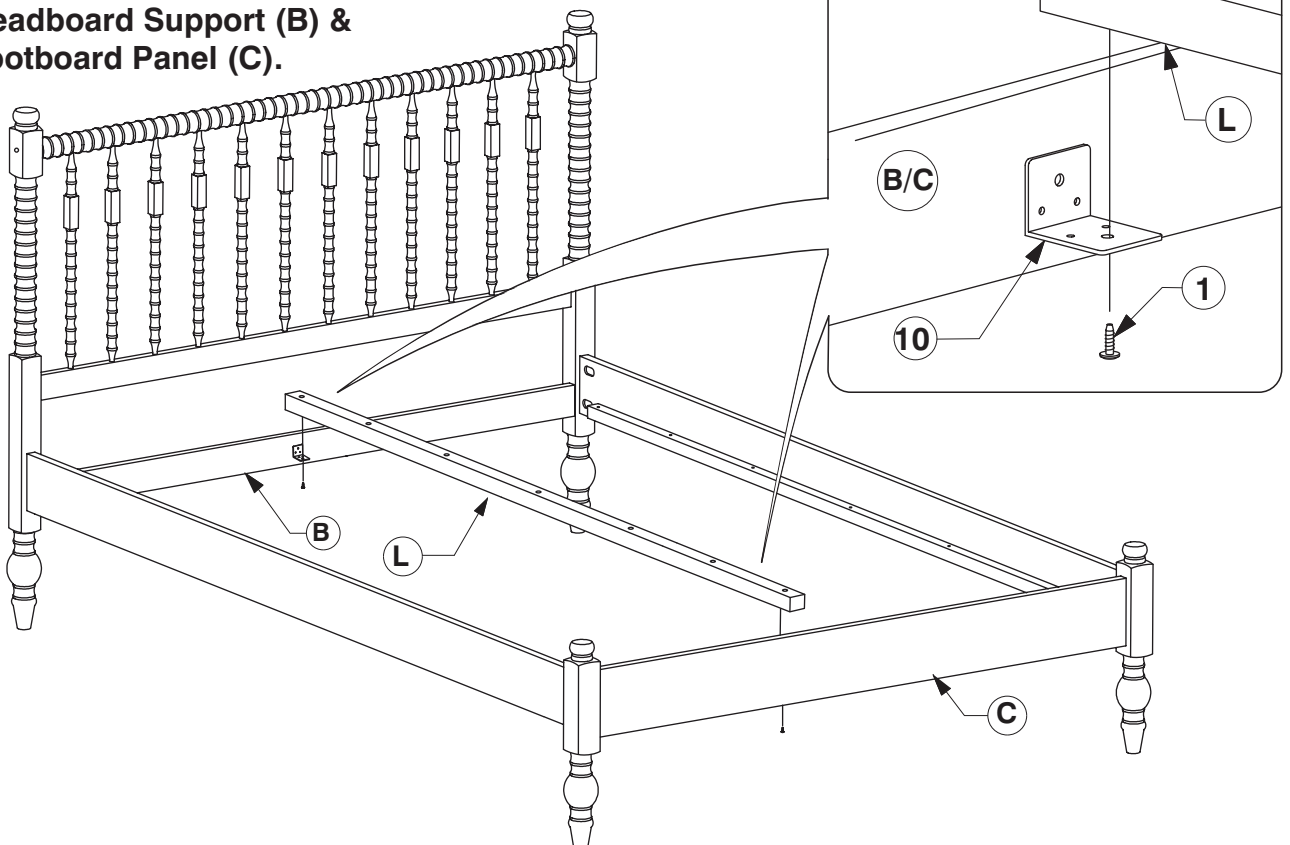
Assembly Instructions

WI-0825

- 10** Assemble the Side Rail (K) to the Headboard Post (D & E) & Footboard Post (F & G).



- 11** Bolt the Long Support (L) to the Center Rail Brackets (10) on the Headboard Support (B) & Footboard Panel (C).

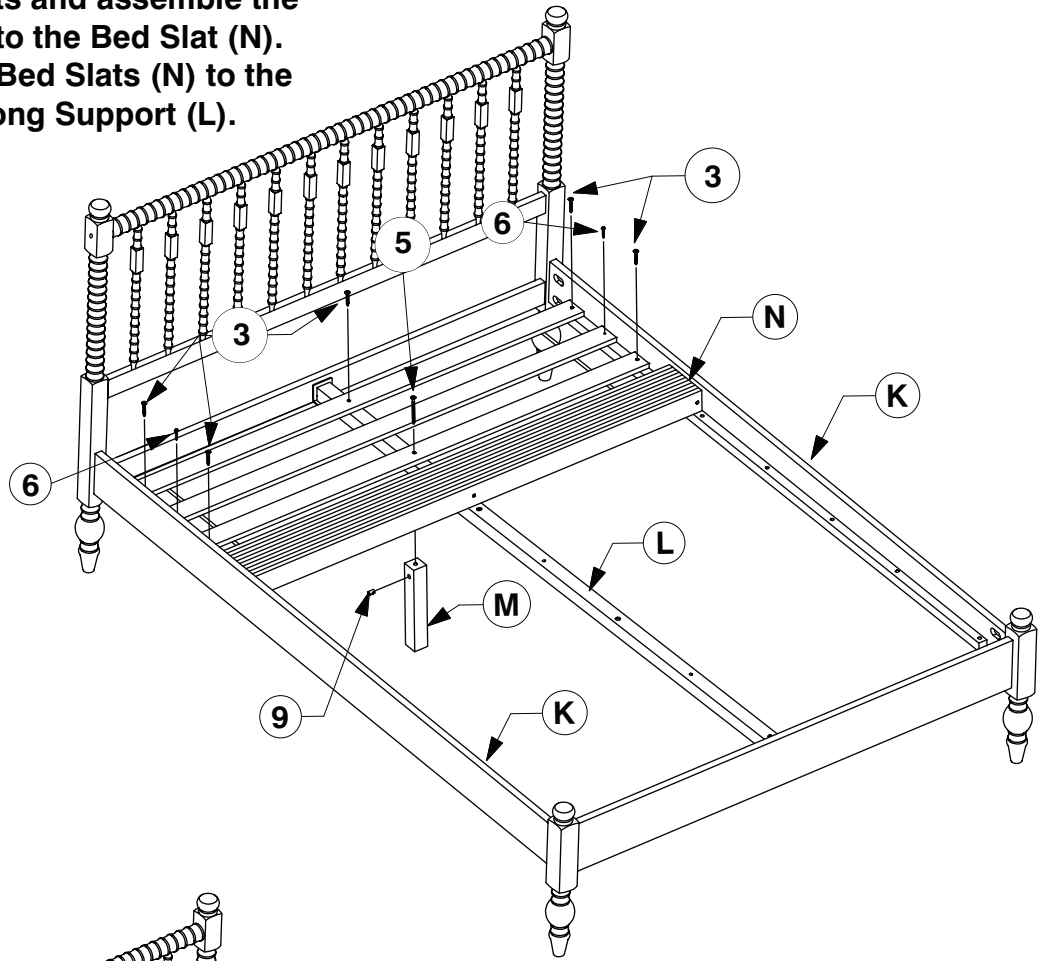


0259 Full Bed

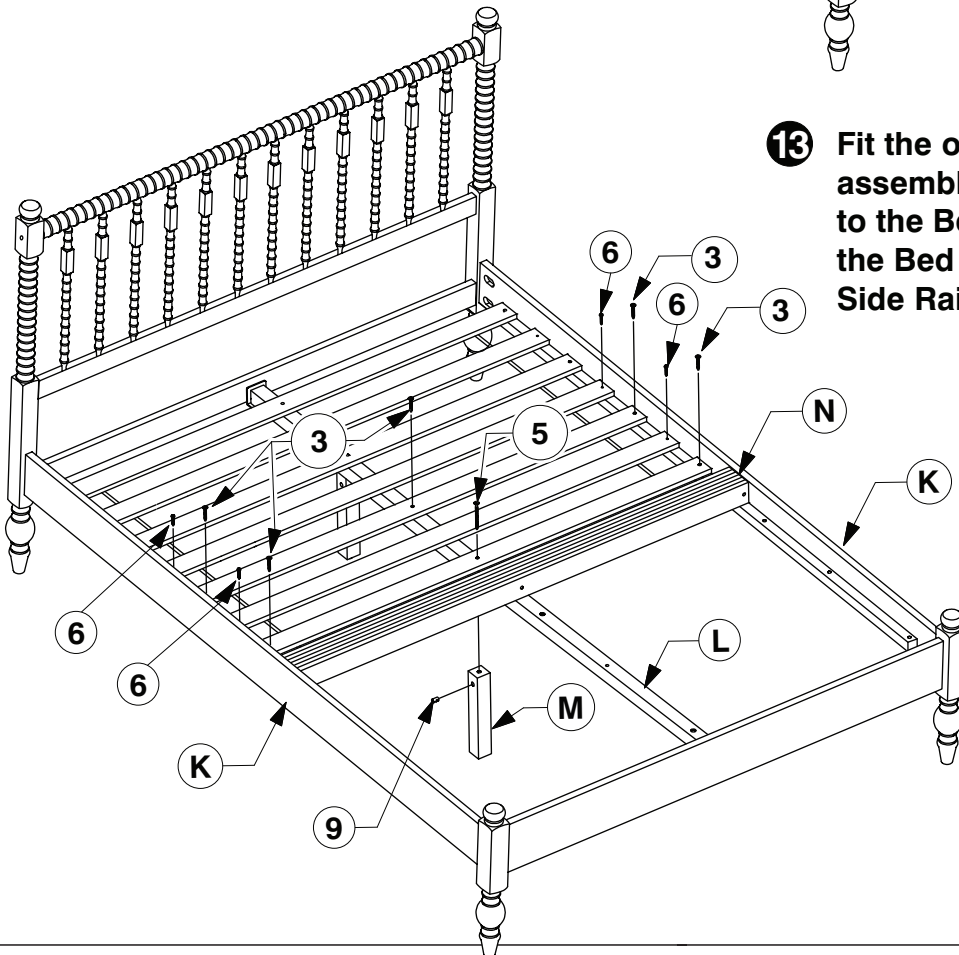
Assembly Instructions

WI-0825

- 12** Fit the First 3 Slats and assemble the Support Leg (M) to the Bed Slat (N). Bolt & screw the Bed Slats (N) to the Side Rail (K) & Long Support (L).



- 13** Fit the other Slats out and assemble the Support Leg (M) to the Bed Slat (N). Bolt & screw the Bed Slats (N) to the Side Rail (K) & Long Support (L).

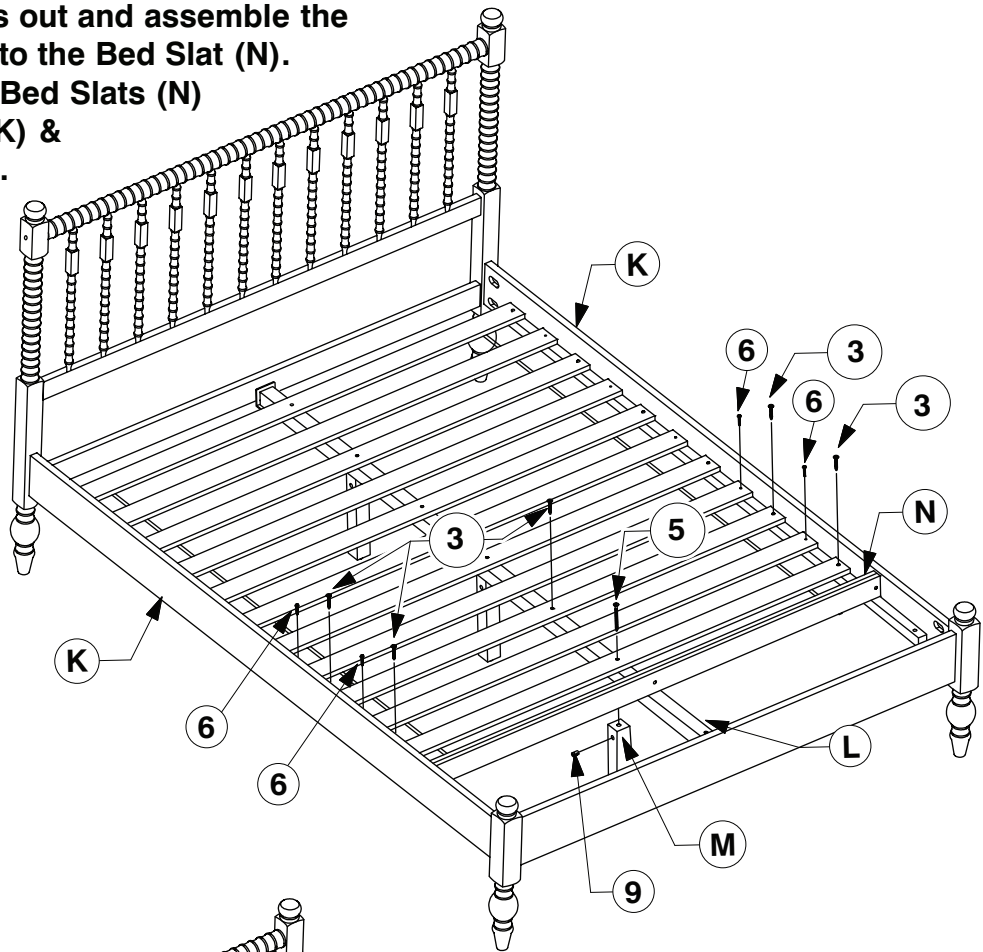


0259 Full Bed

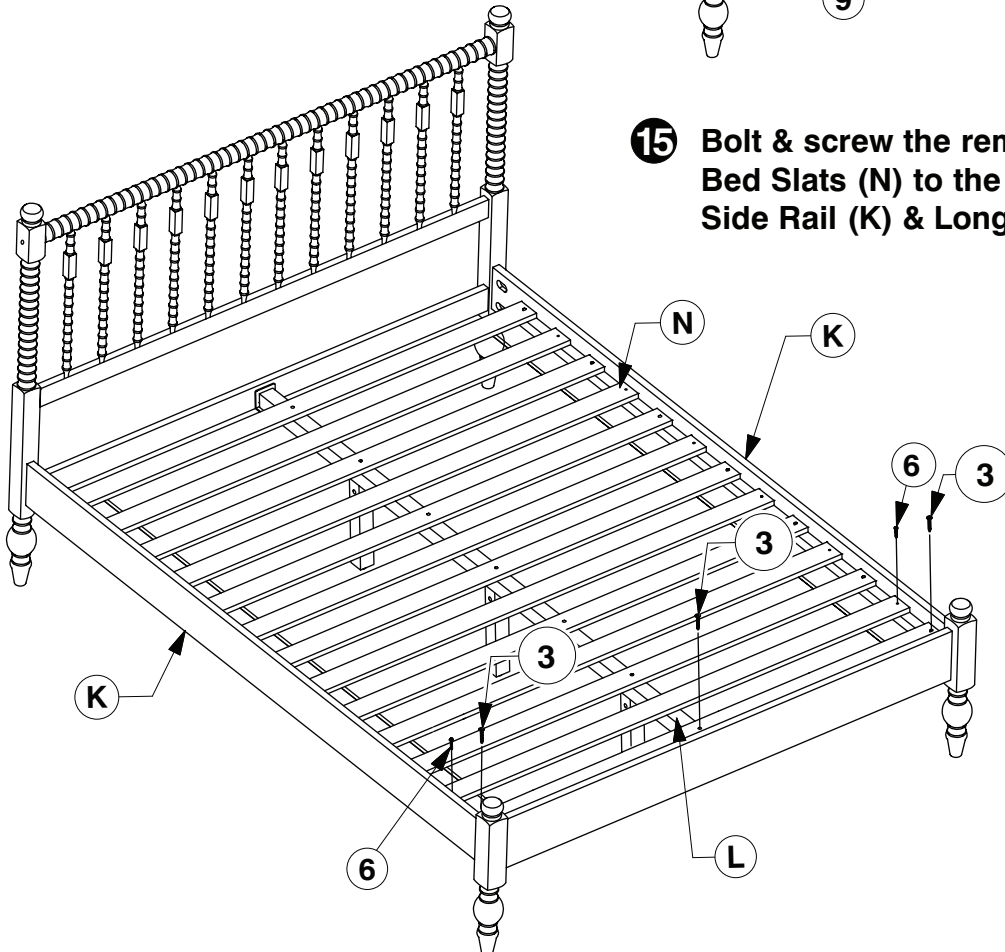
Assembly Instructions

WI-0824

- 14** Fit the other Slats out and assemble the Support Leg (M) to the Bed Slat (N). Bolt & screw the Bed Slats (N) to the Side Rail (K) & Long Support (L).



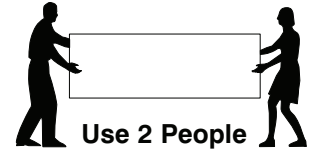
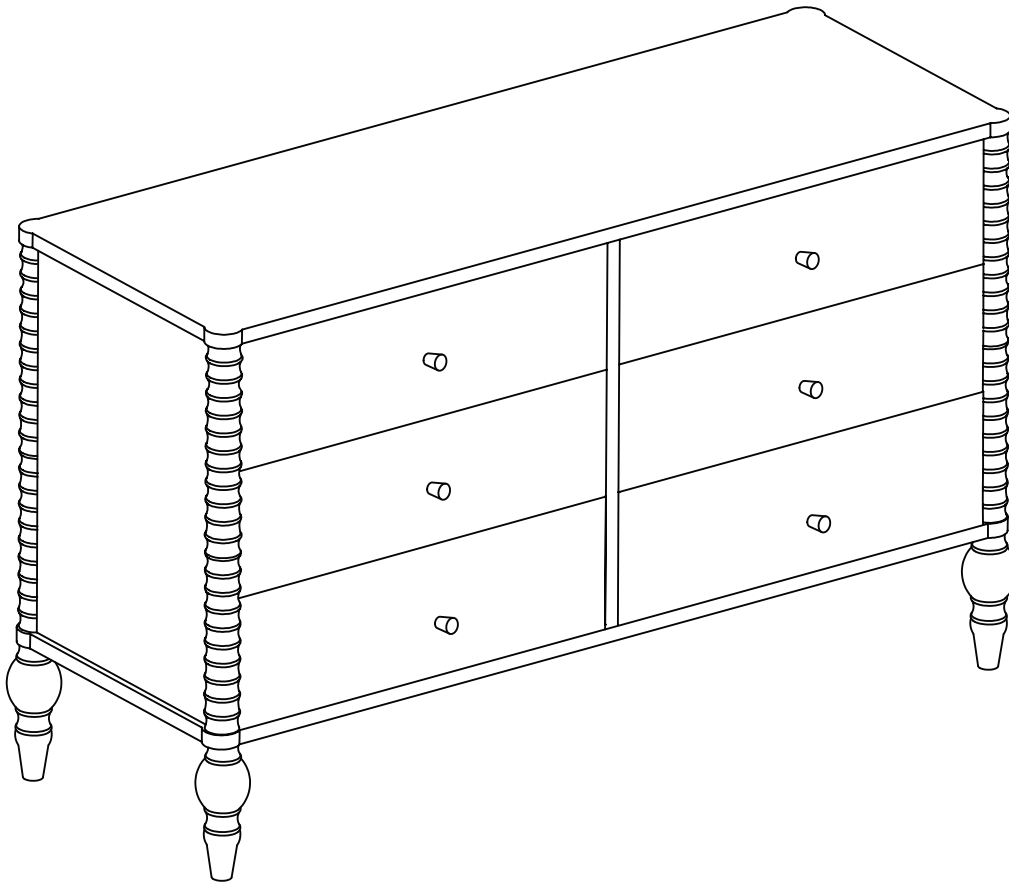
- 15** Bolt & screw the remaining Bed Slats (N) to the Side Rail (K) & Long Support (L).



9020 6 Drawer Dresser

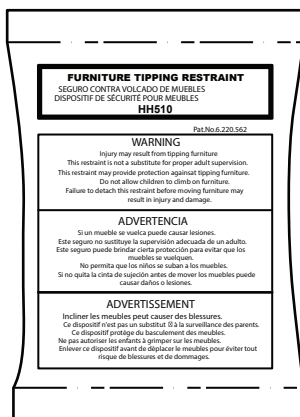
Assembly Instructions

WI-0825



Note: Do not assemble using power tools. This can cause the bolts to be overtightened

WARNING



Anti Tipping Kit
Anti Tipping Kit x 1



Children have died from furniture tipover.

To reduce the risk of furniture tipover:

- ALWAYS install anti-tip device provided.
- NEVER put a TV on this product.
- NEVER allow children to stand, climb, or hang on any drawers, doors or shelves.
- NEVER open more than one drawer at a time.
- DO NOT defeat or remove the drawer interlock system; it is an important stability and safety system.
- Place heaviest items in the lowest drawer.

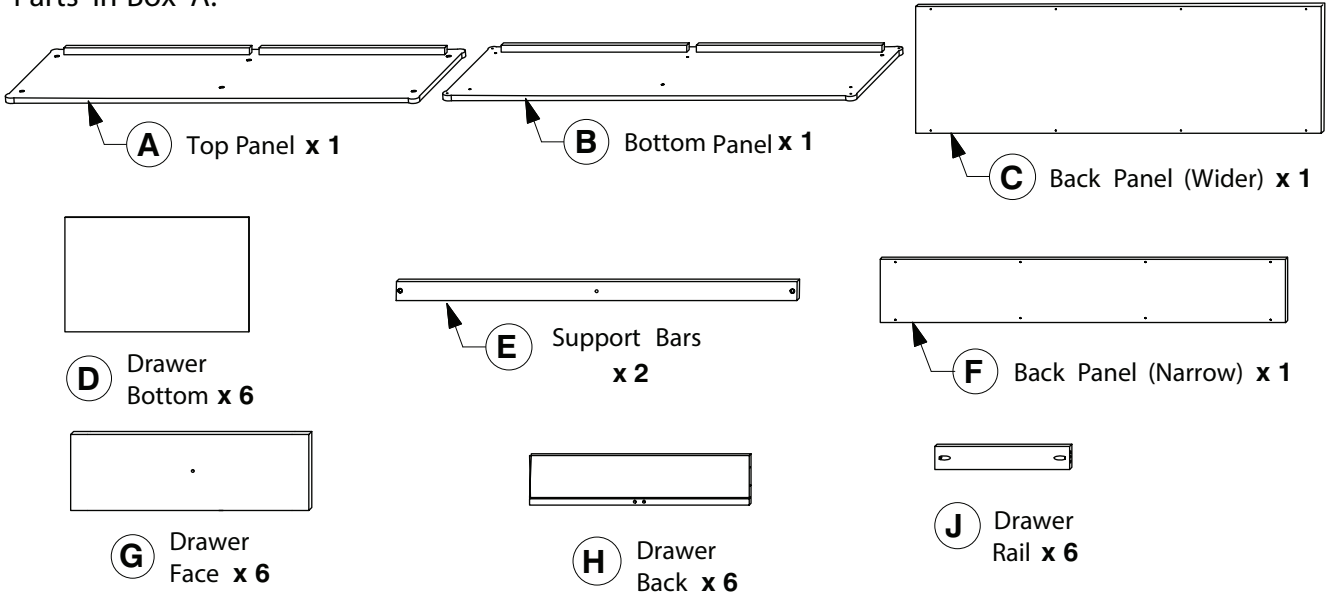
9020 6 Drawer Dresser

Assembly Instructions

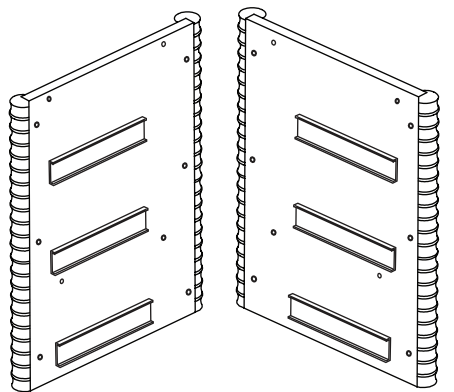
WI-0825

1 Parts List

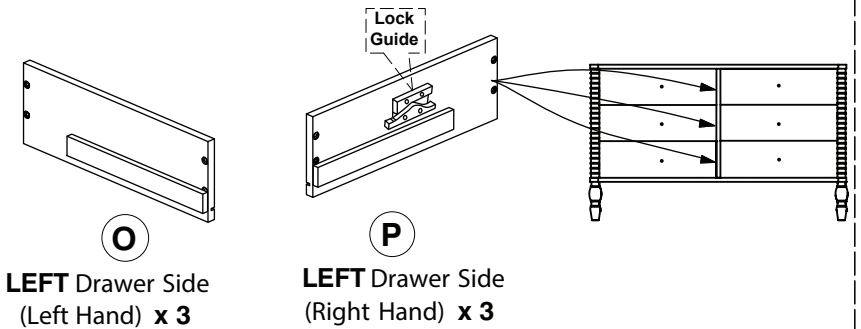
Parts in Box A:



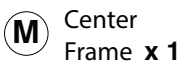
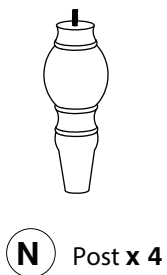
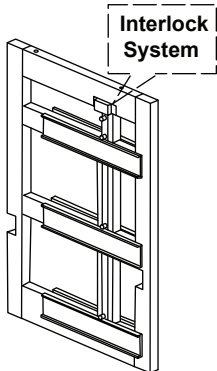
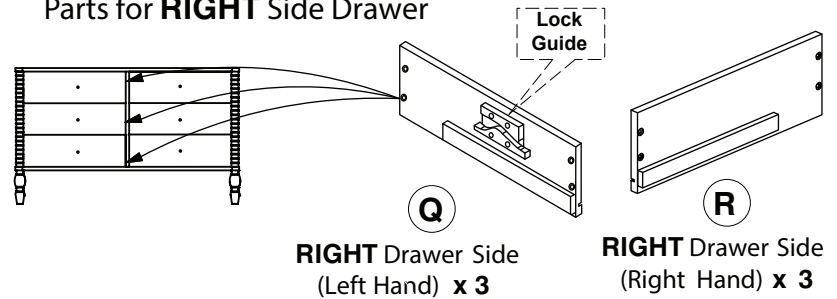
Parts in Box B:



Parts for **LEFT** Side Drawer



Parts for **RIGHT** Side Drawer

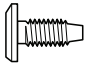
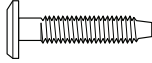

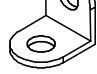
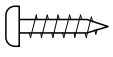
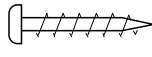
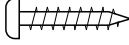
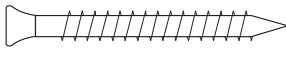
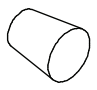
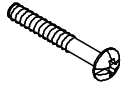




9020 6 Drawer Dresser

Assembly Instructions

WI-0825

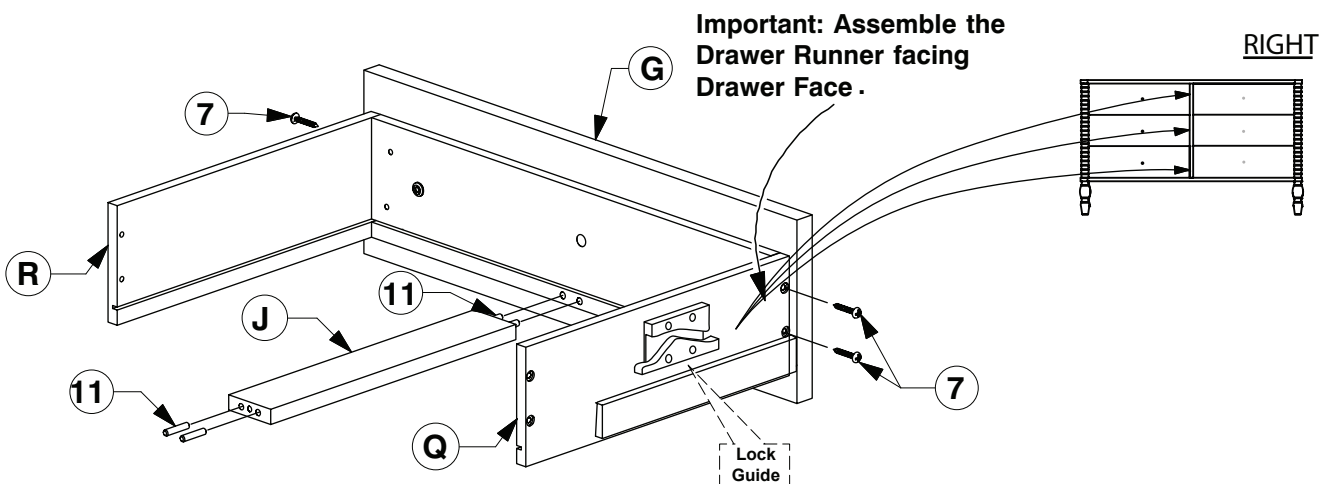
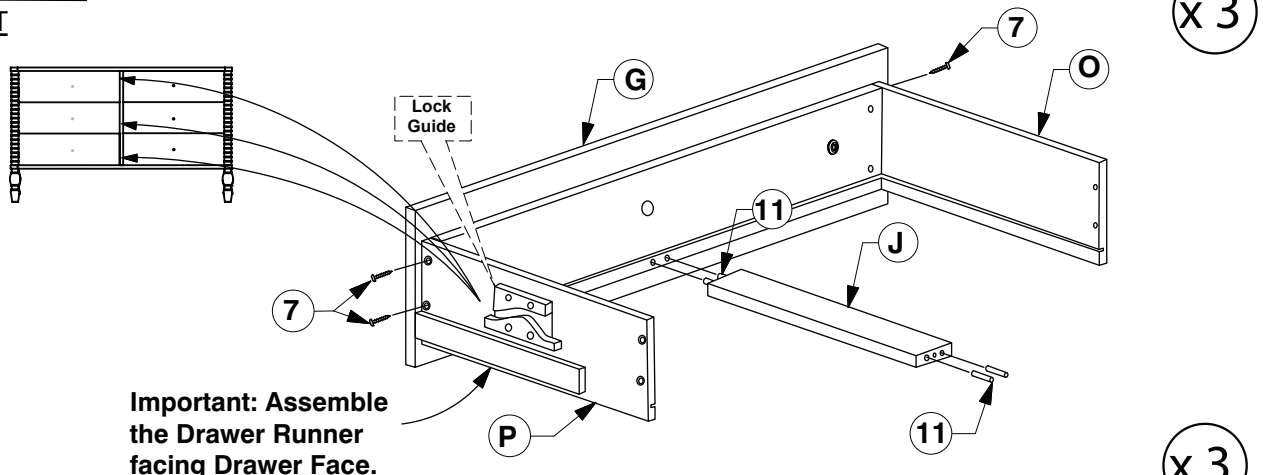
2 Hardware List

- | | | | |
|---|---|--|---|
|  |  |  |  |
| 1 M6 x 15mm JCB x 16 | 2 M6 x 30mm JCB x 2 | 3 M6 x 60mm JCB x 2 | 4 'L' Bracket (5005-3) x 8 |
|  |  |  |  |
| 5 Wood Screw (M4 x 20mm) x 24 | 6 Wood Screw (M4 x 32mm) x 16 | 7 Wood Screw (M4 x 25mm) x 60 | 8 CSK Cap Wood Screw (M6 x 50mm) x 6 |
|  |  |  |  |
| 9 Handle (1005) x 6 | 10 M4 x 22mm Wood Screw x 6 | 11 M6 x 25mm Wood Dowel x 24 | 12 Allen Key x 1 |

3 Assemble the Drawers.

STEP 3.1

LEFT



9020 6 Drawer Dresser

Assembly Instructions

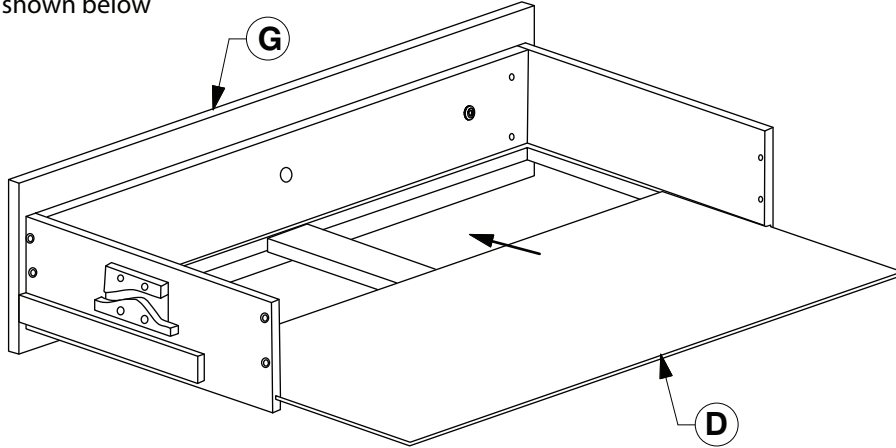
WI-0825

3 Assemble the Drawers.

STEP 3.2

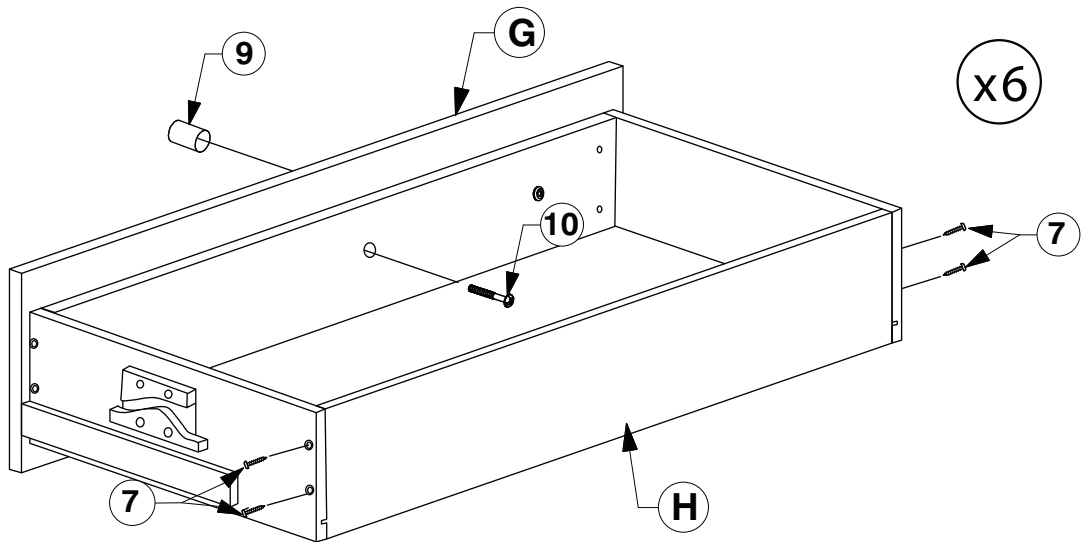
x6

* 3 Assemble the left and right drawers as shown below



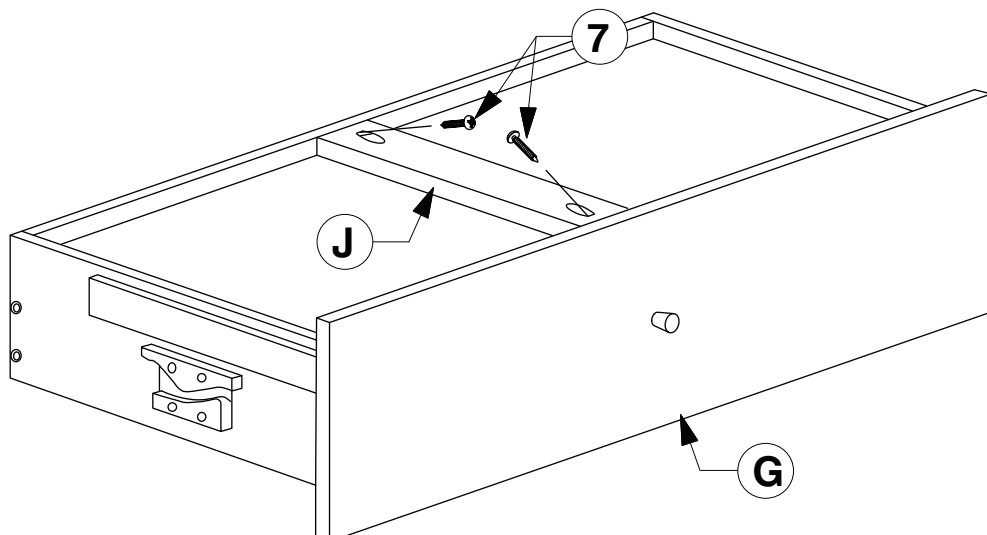
STEP 3.3

x6



STEP 3.4

x6

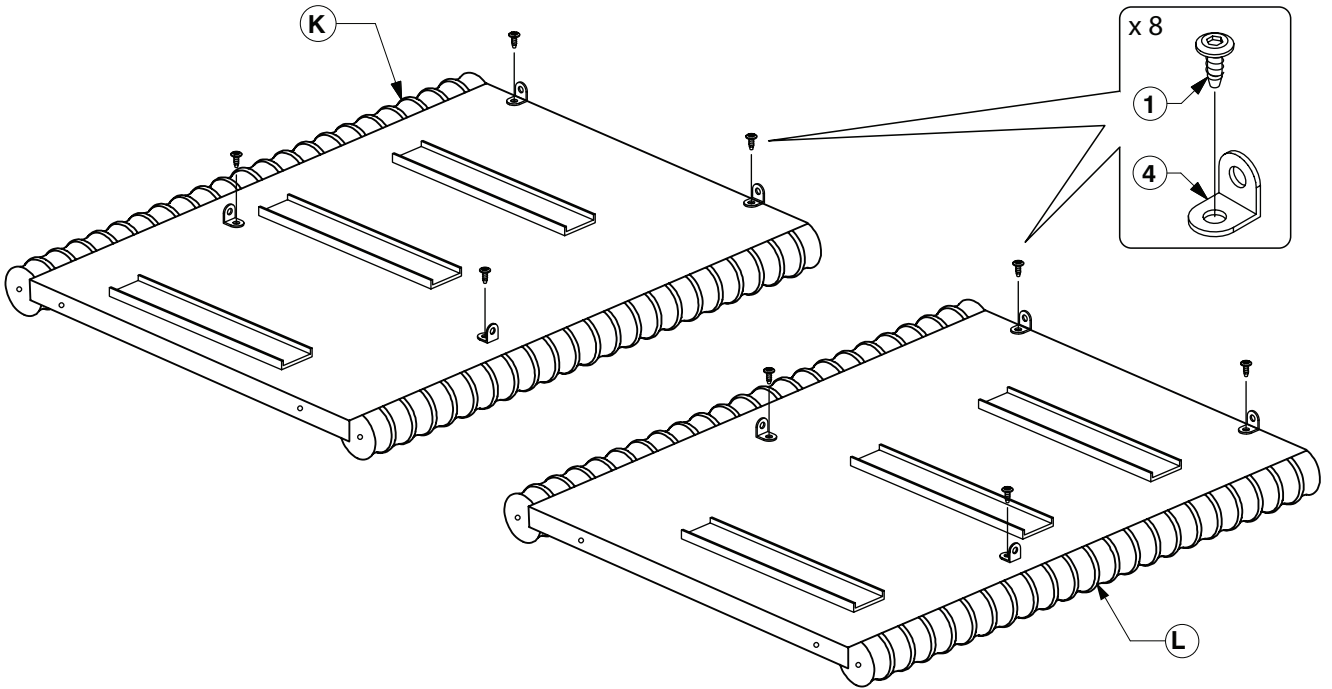


9020 6 Drawer Dresser

Assembly Instructions

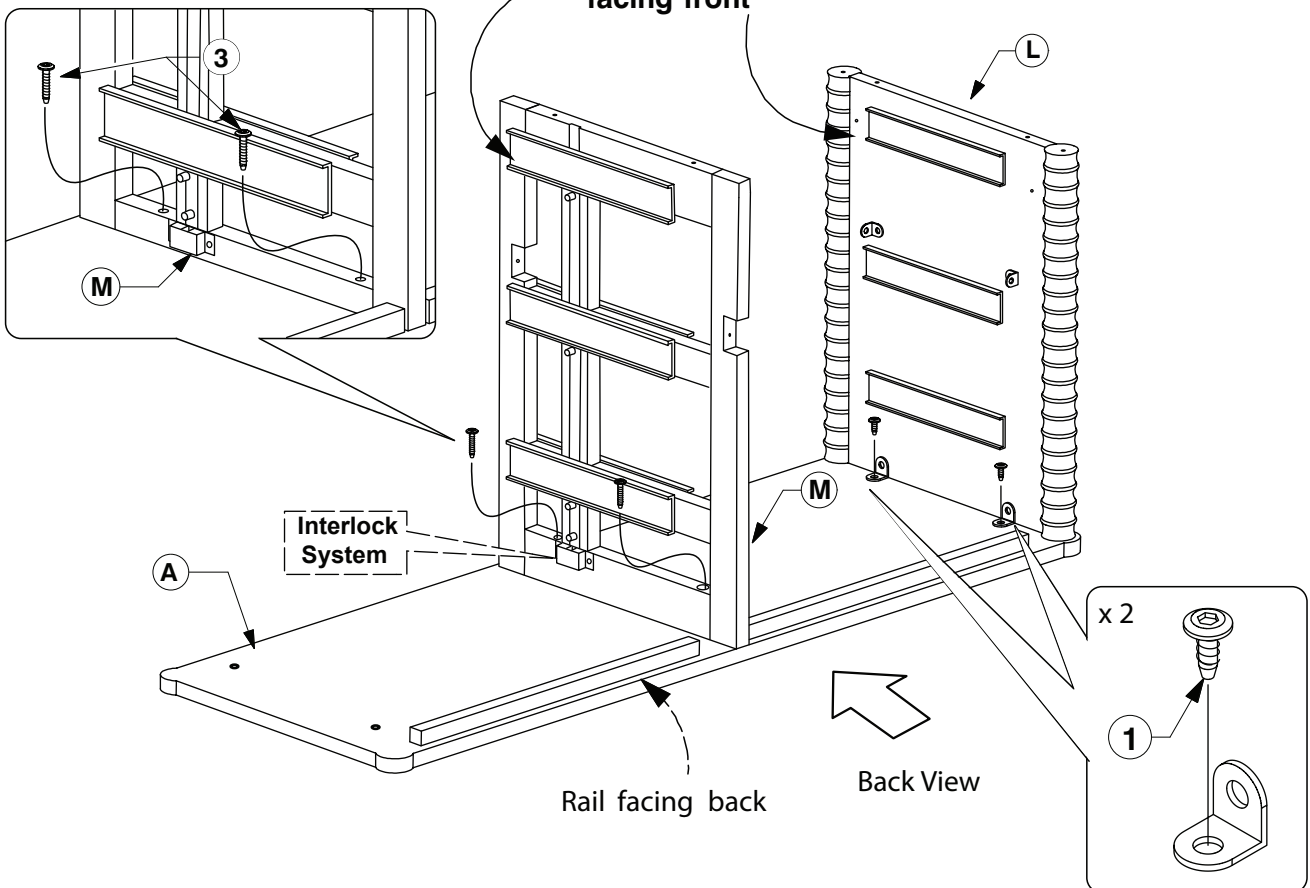
WI-0825

4 Fit the 'L' Bracket to the Side Panel (K & L) .



5 Fit the Side Panel- Right Hand (L) & Center Frame (M) to the Top Panel (A).

Important:
Drawer Runner
facing front

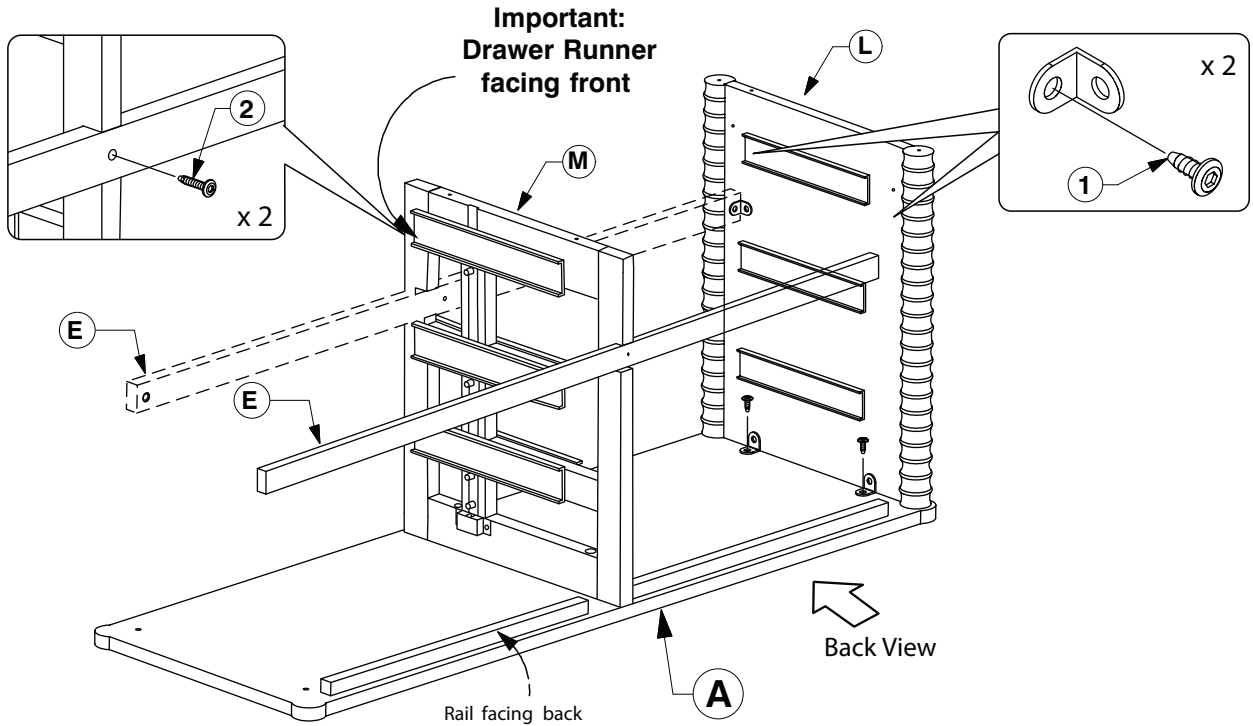


9020 6 Drawer Dresser

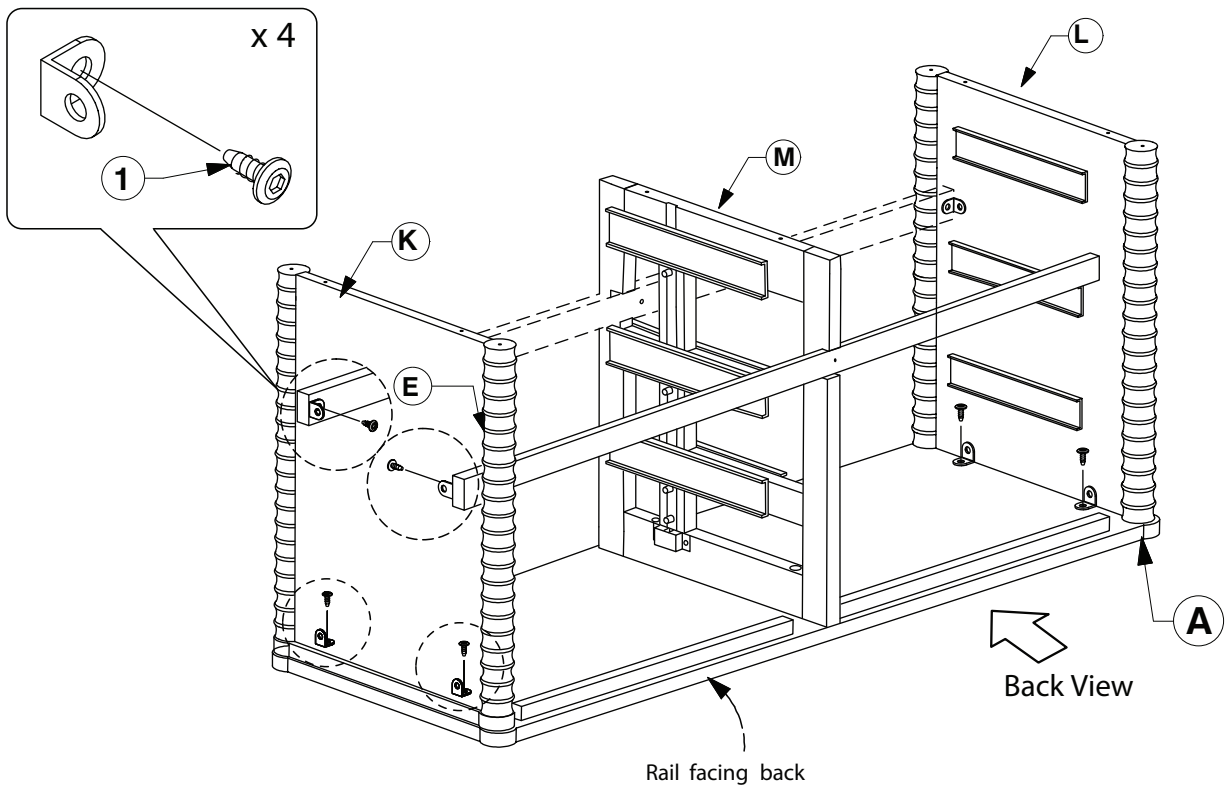
Assembly Instructions

WI-0825

- 6** Fit the Support Bar (E) to the Side Panel -Right Hand (L) and Center Frame (M) as shown.



- 7** Fit the other side of Side Panel- Left Hand (K) to the Top Panel (A) & Support Bar (E).

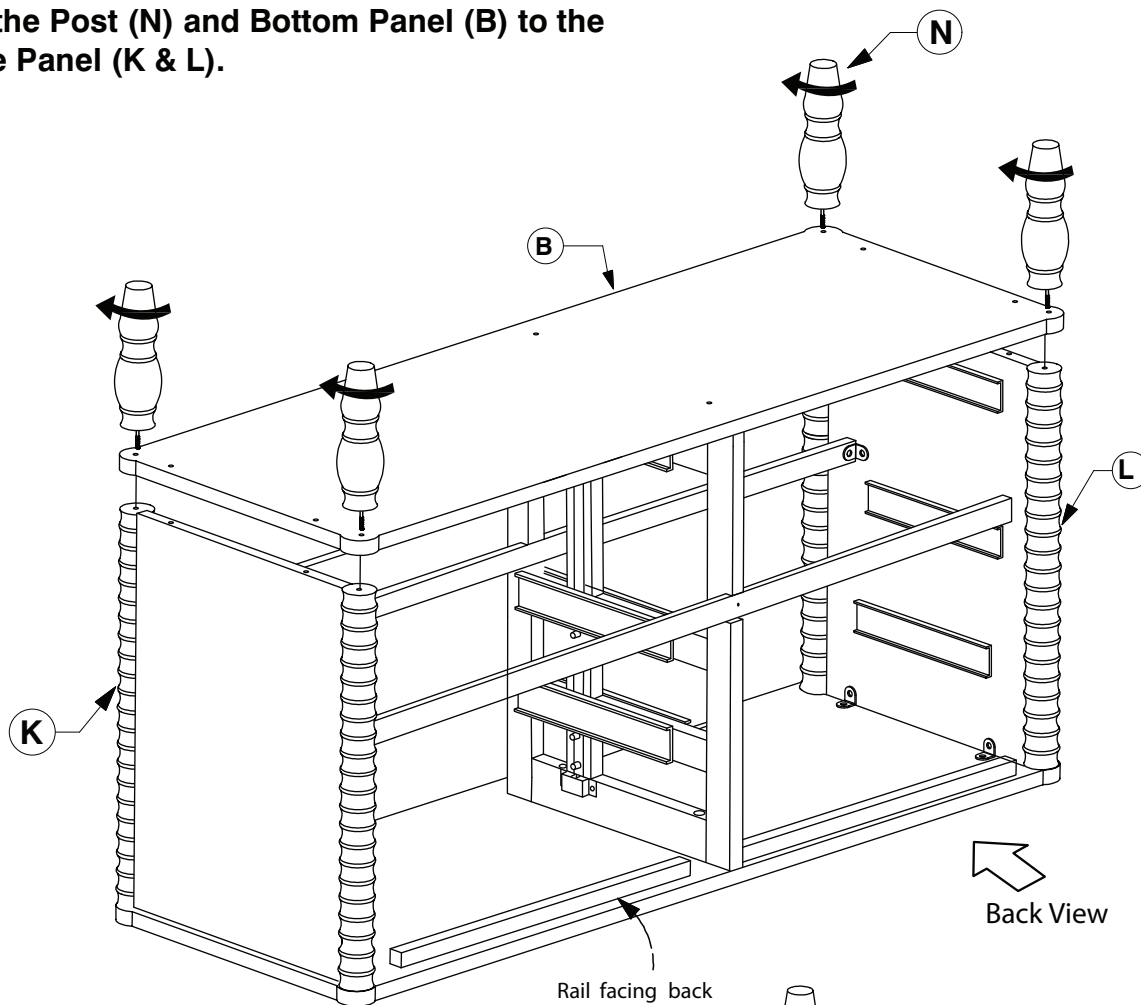


9020 6 Drawer Dresser

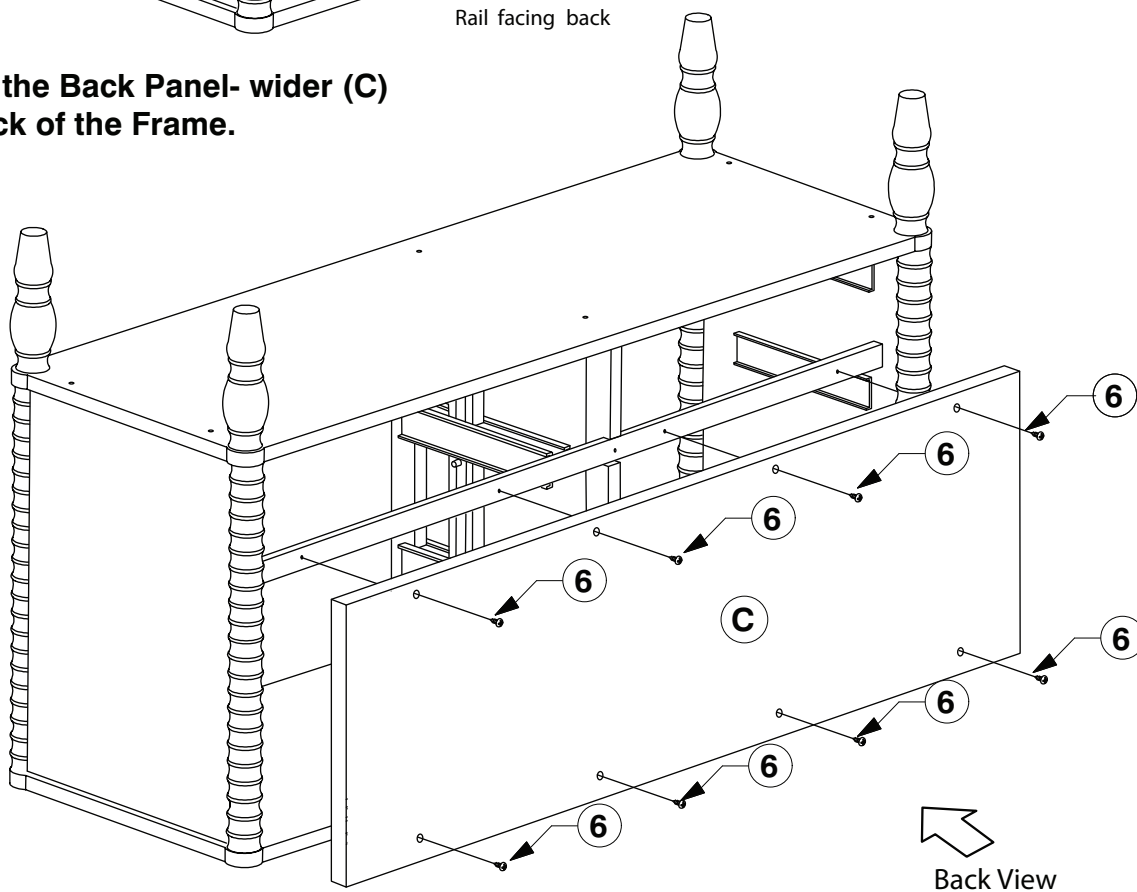
Assembly Instructions

WI-0825

- 8** Fix the Post (N) and Bottom Panel (B) to the Side Panel (K & L).



- 9** Attached the Back Panel- wider (C) to the back of the Frame.

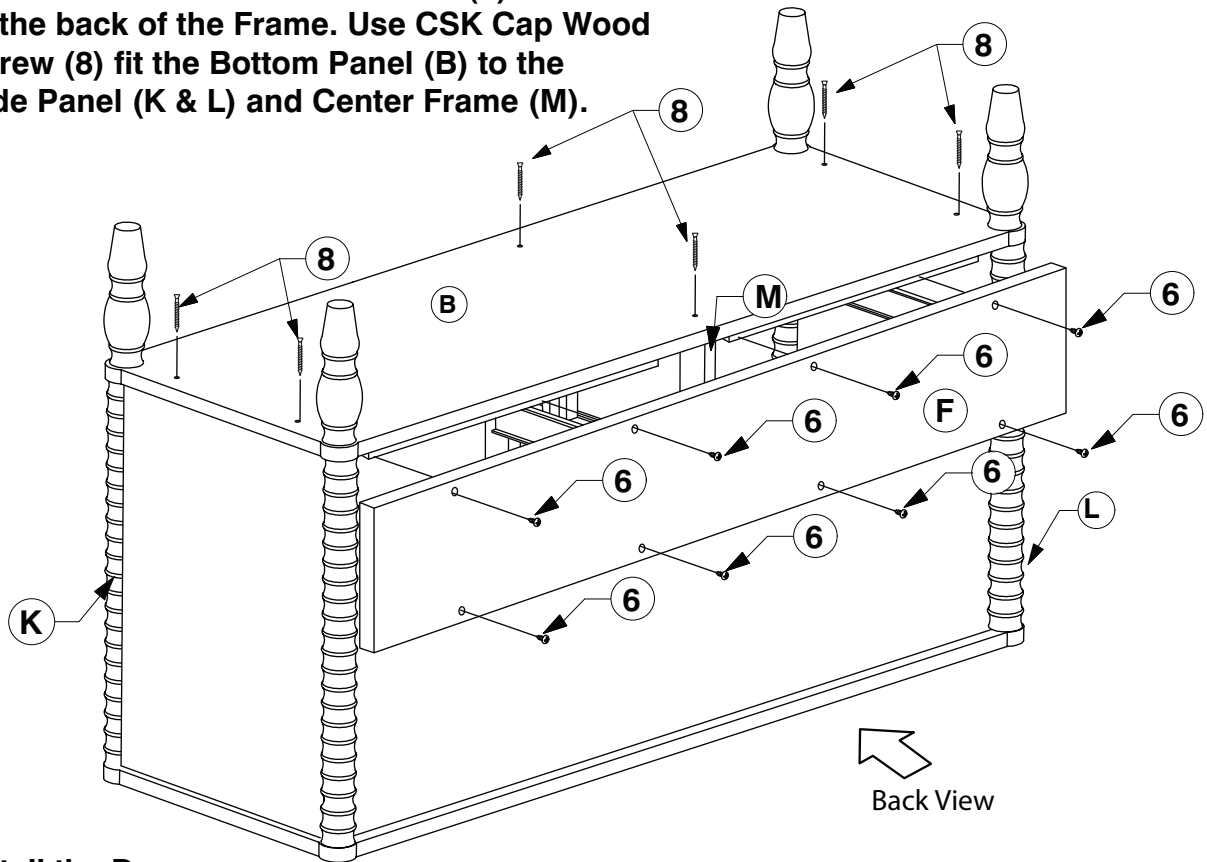


9020 6 Drawer Dresser

Assembly Instructions

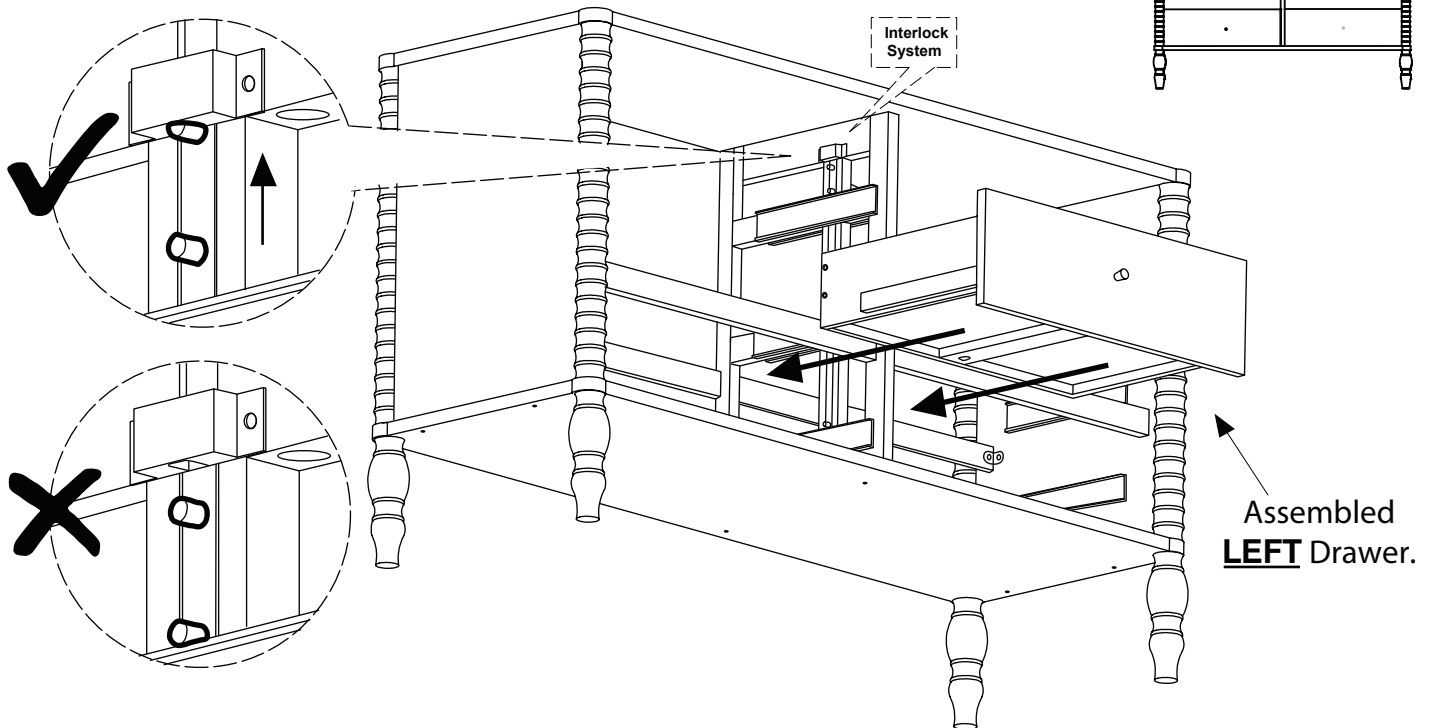
WI-0825

- 10** Attached the Back Panel- narrow (F) to the back of the Frame. Use CSK Cap Wood Screw (8) fit the Bottom Panel (B) to the Side Panel (K & L) and Center Frame (M).



- 11** Install the Drawers.

- Push the Interlock bar **upwards** before inserting the drawers.

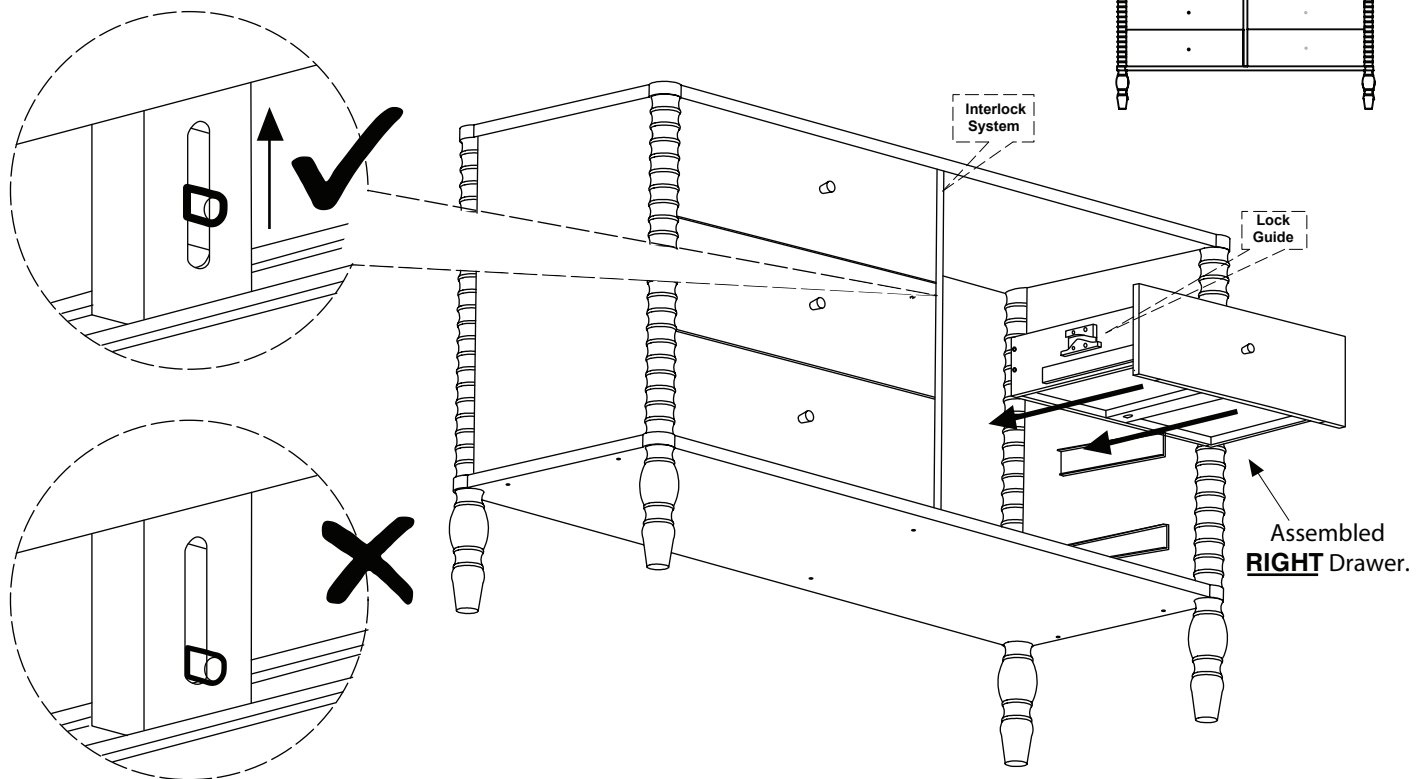


9020 6 Drawer Dresser

Assembly Instructions

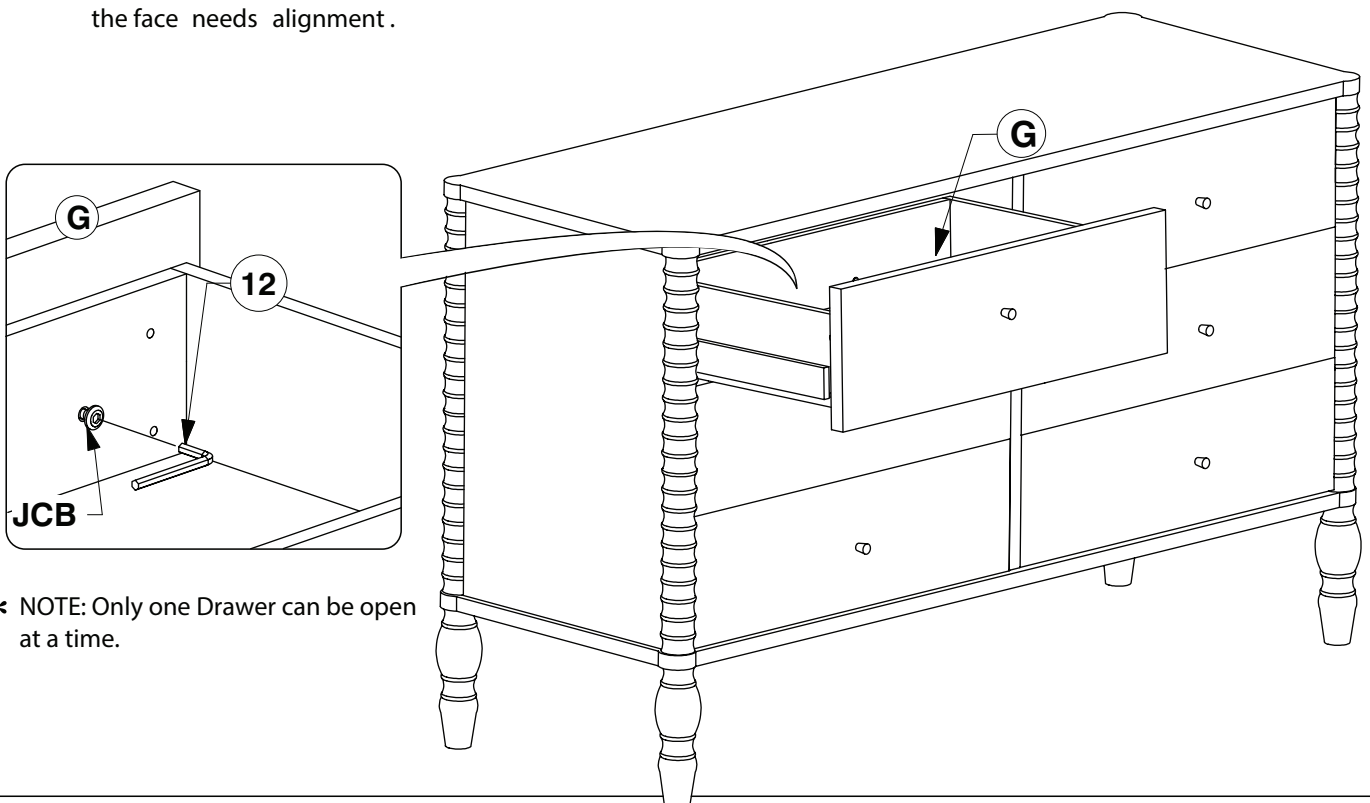
WI-0825

- Push the Interlock bar **upwards** before inserting the drawers.



12 Adjust the Drawer Face (G).

- * NOTE: Before fitting the Wood Screws .
Loosen the JCBs on the Drawer Face if the face needs alignment.



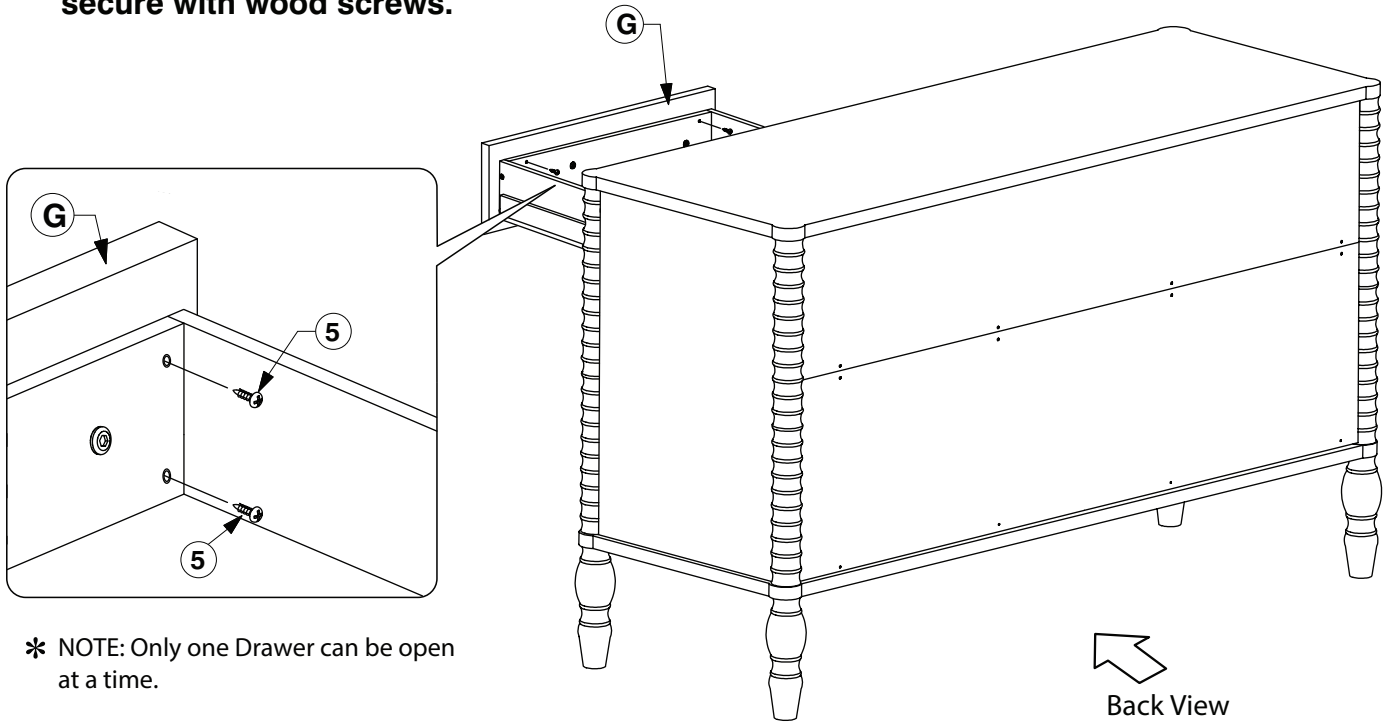
- * NOTE: Only one Drawer can be open at a time.

9020 6 Drawer Dresser

Assembly Instructions

WI-0825

- 13** After the Drawer Faces (G) are aligned, secure with wood screws.



* NOTE: Only one Drawer can be open at a time.

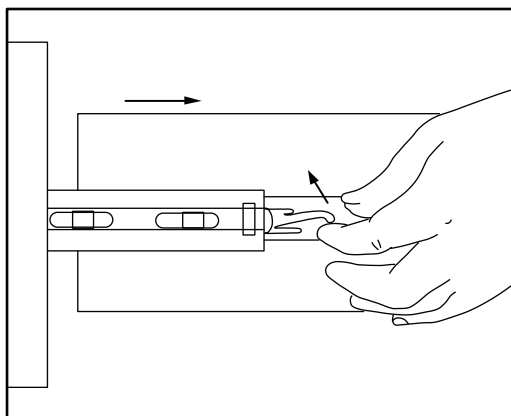
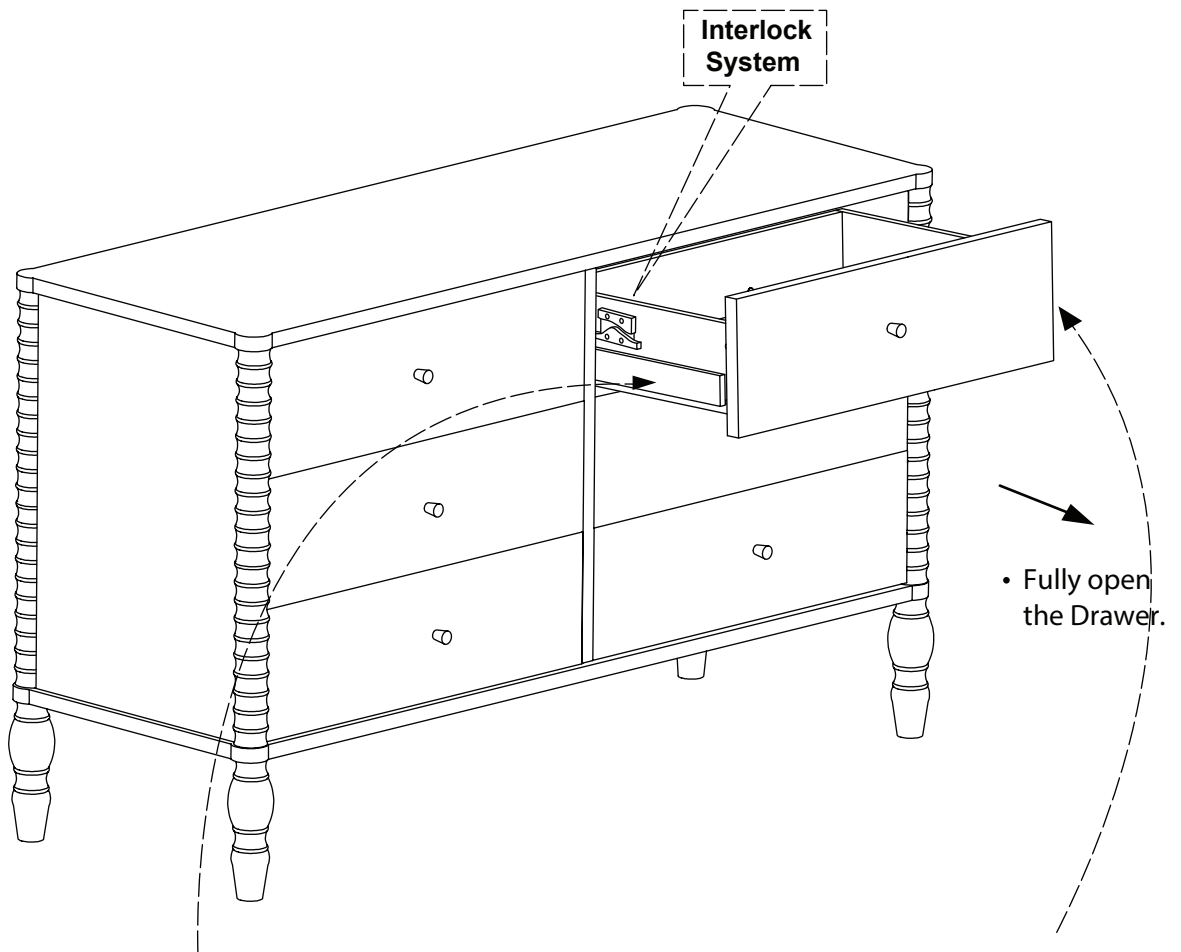
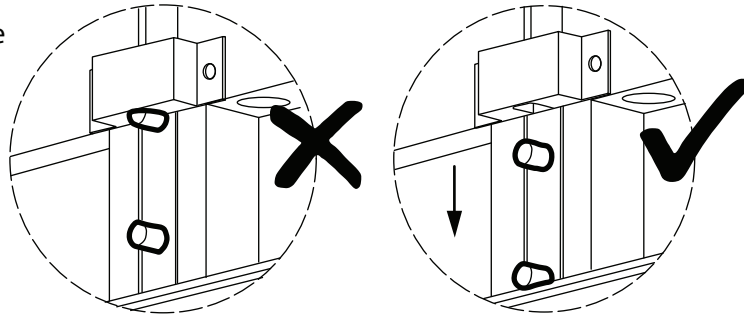
9020 6 Drawer Dresser

Assembly Instructions

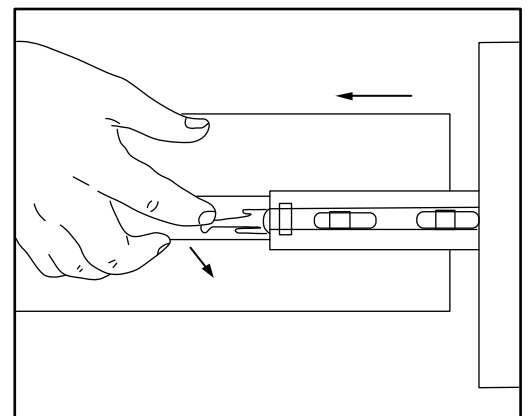
WI-0825

14 Remove the Drawers.

- After removing the top drawer, push the interlock bar **down**. Then remove the lower drawers.



- Lift the **LEFT** side clip up.

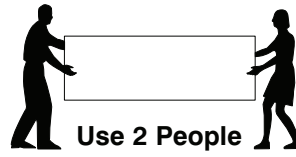
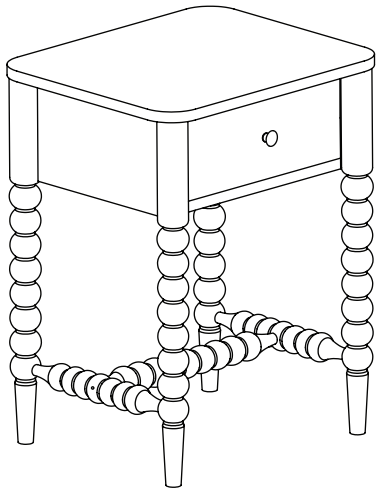


- Push the **RIGHT** side clip down.

9020 1 Drawer Night Stand

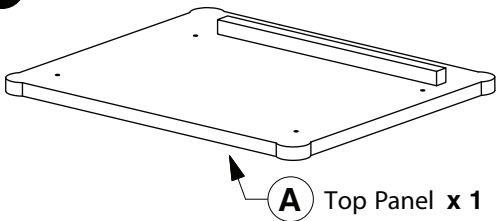
Assembly Instructions

WI-0925

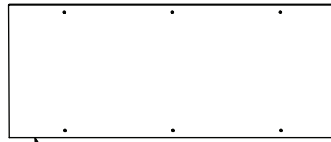


Note: Do not assemble using power tools. This can cause the bolts to be overtightened

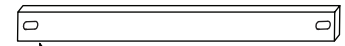
1 Parts List



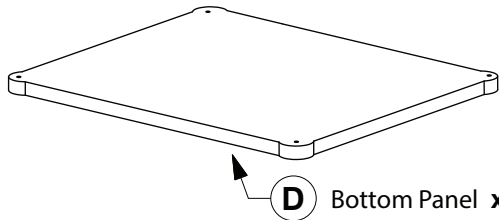
A Top Panel x 1



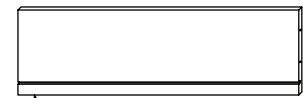
B Back Panel x 1



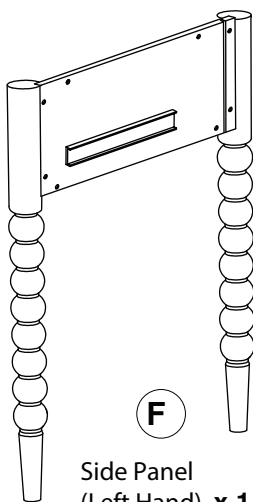
C Support Bar x 2



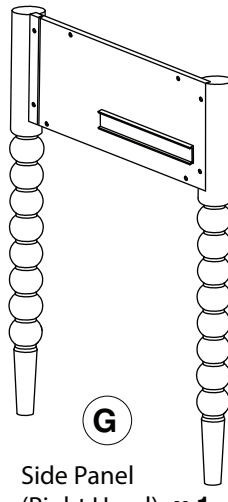
D Bottom Panel x 1



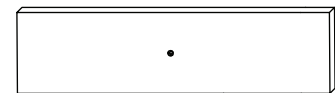
E Drawer Back x 1



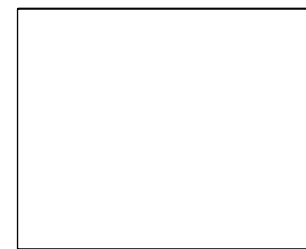
F Side Panel (Left Hand) x 1



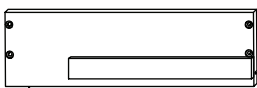
G Side Panel (Right Hand) x 1



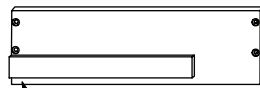
H Drawer Face x 1



J Drawer Bottom x 1



K Drawer Side (Left Hand) x 1



L Drawer Side (Right Hand) x 1

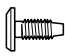

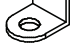
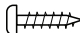
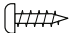
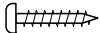
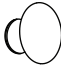
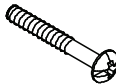

M Post x 4

9020 1 Drawer Night Stand

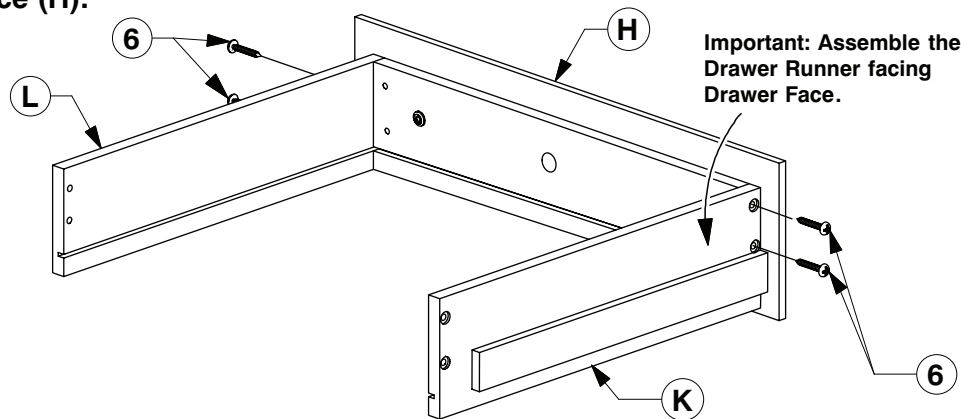
Assembly Instructions

WI-0925

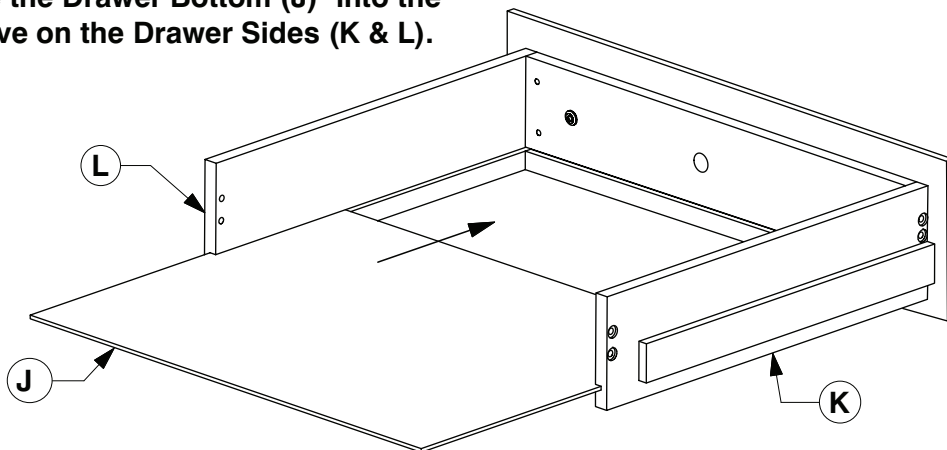
2 Hardware List

- | | | | | |
|--|---|---|--|--|
| 
1 M6 x 15mm JCB x 8 | 
2 M6 x 30mm JCB x 4 | 
3 'L' Bracket (5005-3) x 4 | 
4 M4 x 20mm Wood Screw x 4 | 
5 M4 x 16mm Wood Screw x 6 |
| 
6 M4 x 25mm Wood Screw x 8 | 
7 Handle (1005) x 1 | 
8 M4 x 22mm Wood Screw x 1 | 
9 Allen Key x 1 | |

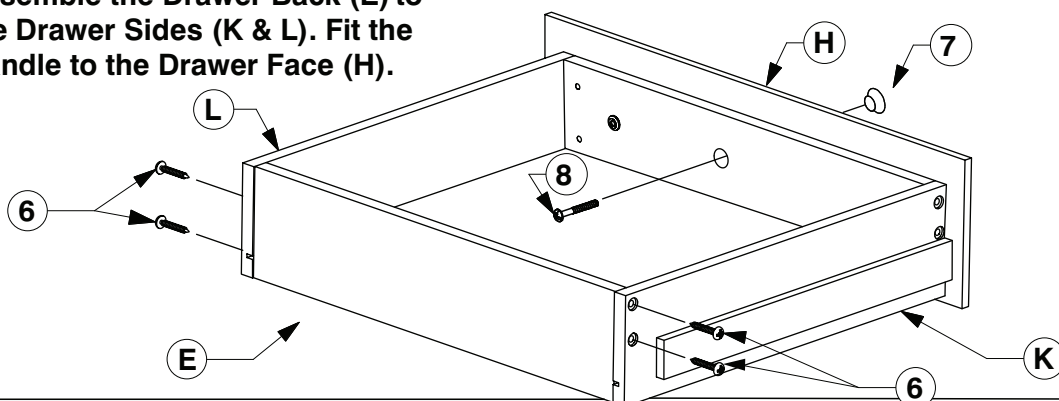
3 Assemble the Drawer Sides (K & L) to the Drawer Face (H).



4 Slide the Drawer Bottom (J) into the groove on the Drawer Sides (K & L).



5 Assemble the Drawer Back (E) to the Drawer Sides (K & L). Fit the Handle to the Drawer Face (H).

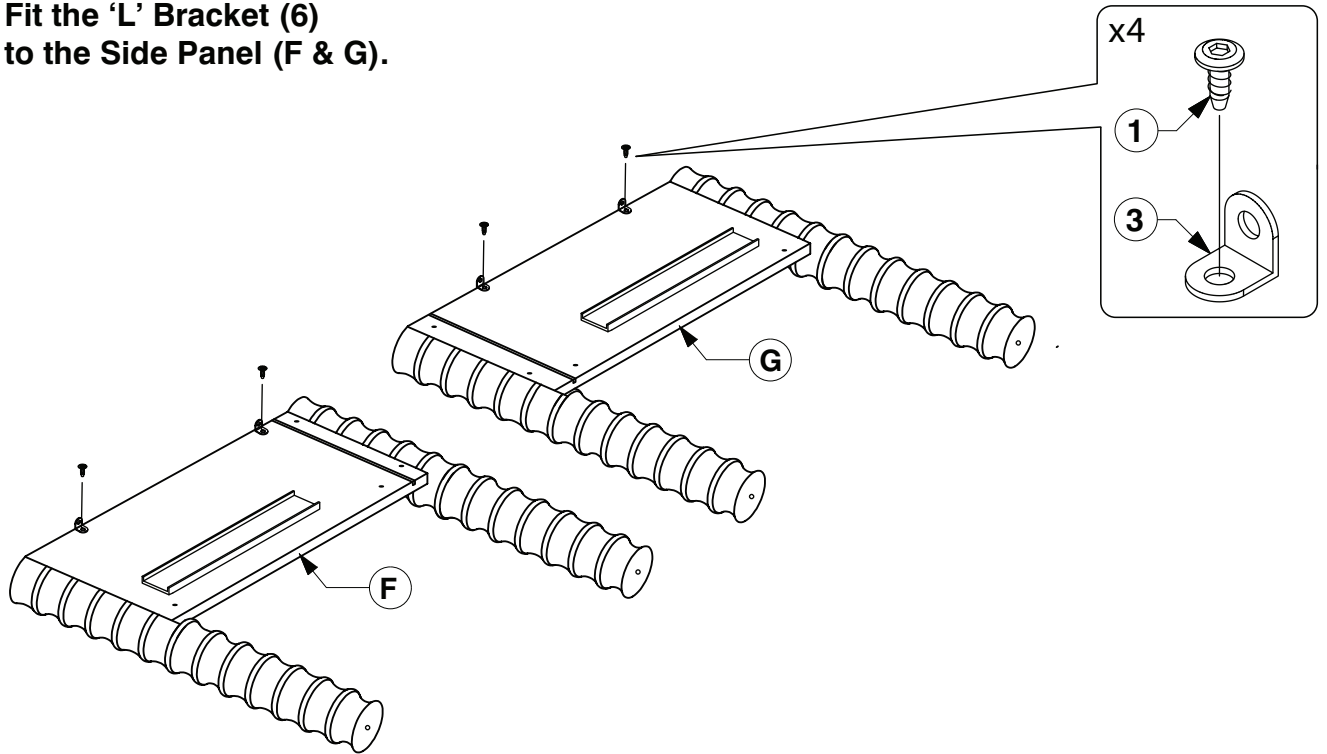


9020 1 Drawer Night Stand

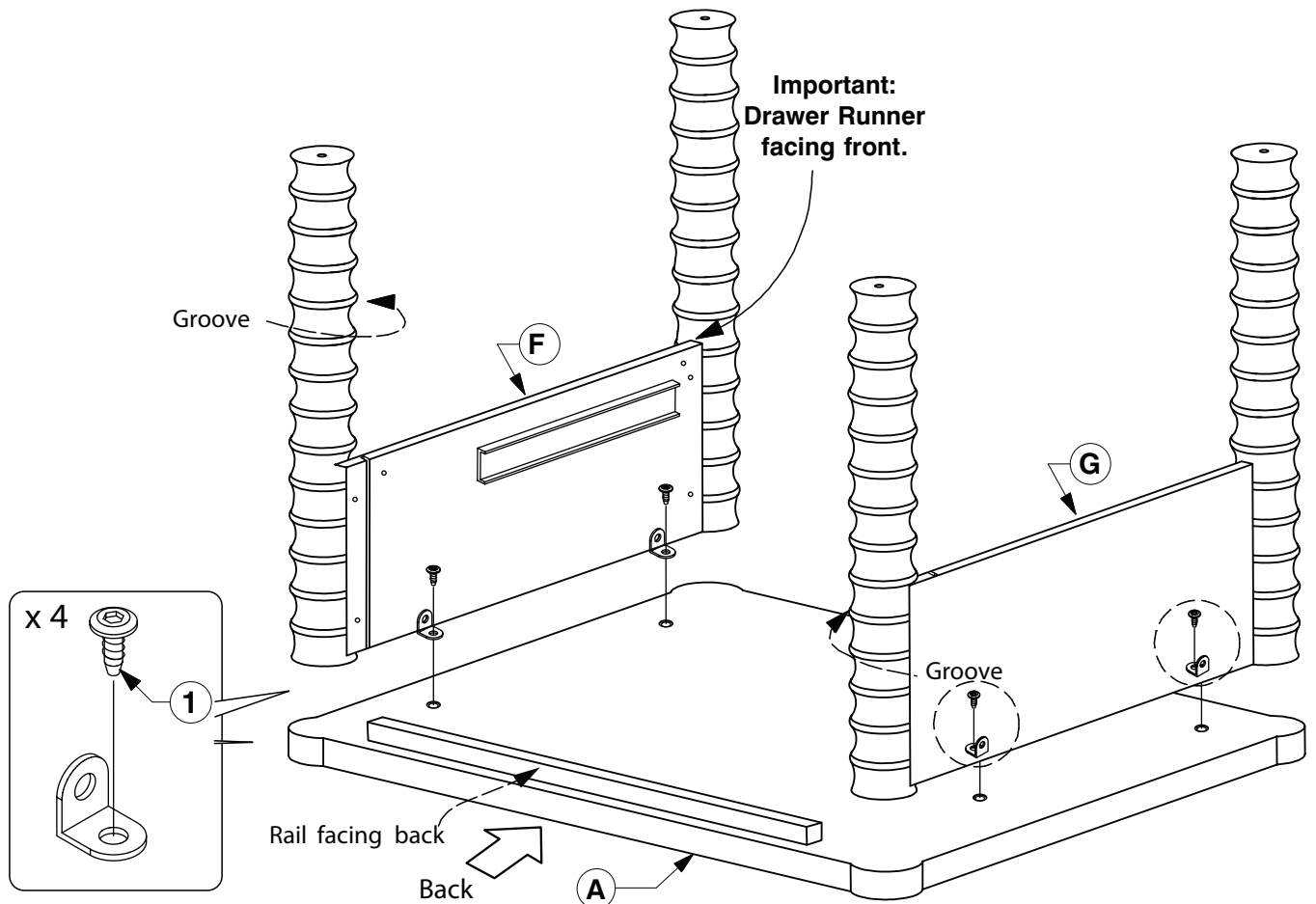
Assembly Instructions

WI-0925

- 6** Fit the 'L' Bracket (6) to the Side Panel (F & G).



- 7** Assemble the Side Panel (F & G) to the Top Panel (A).

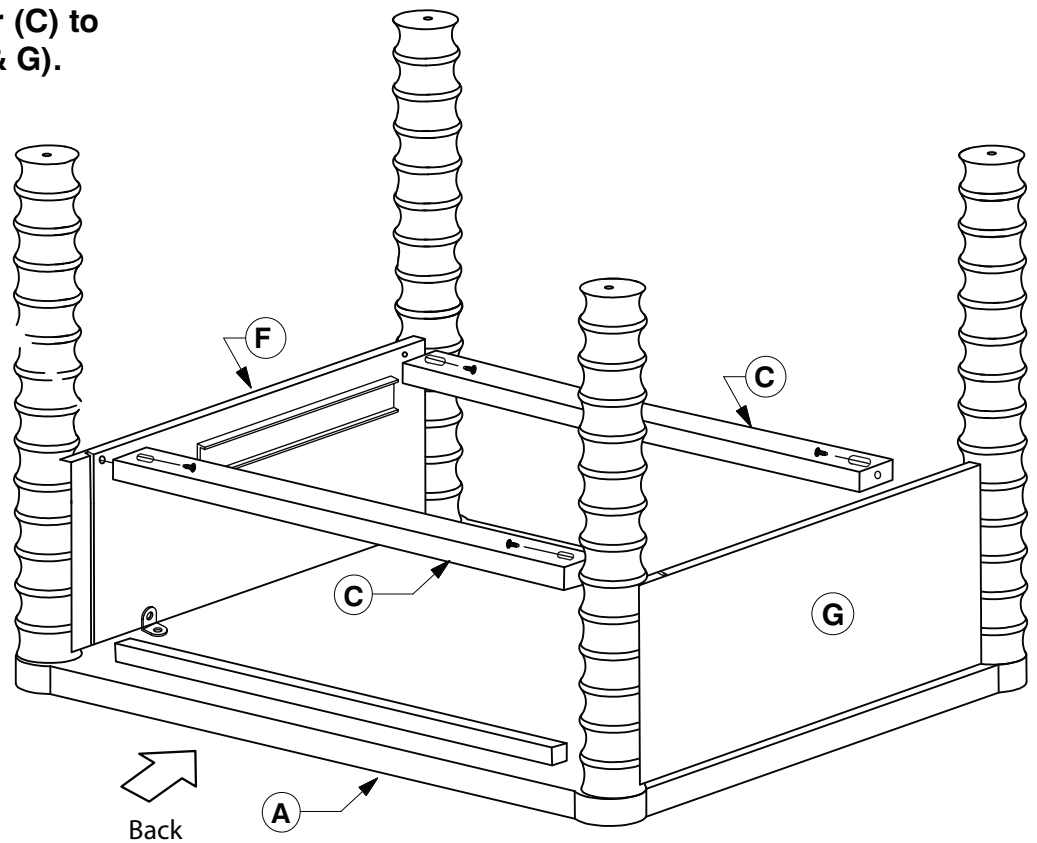
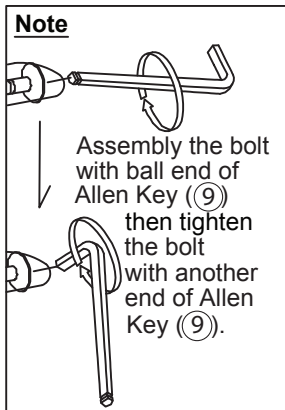
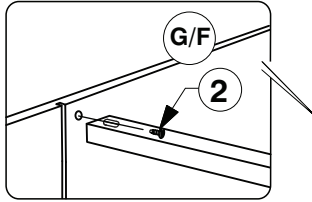


9020 1 Drawer Night Stand

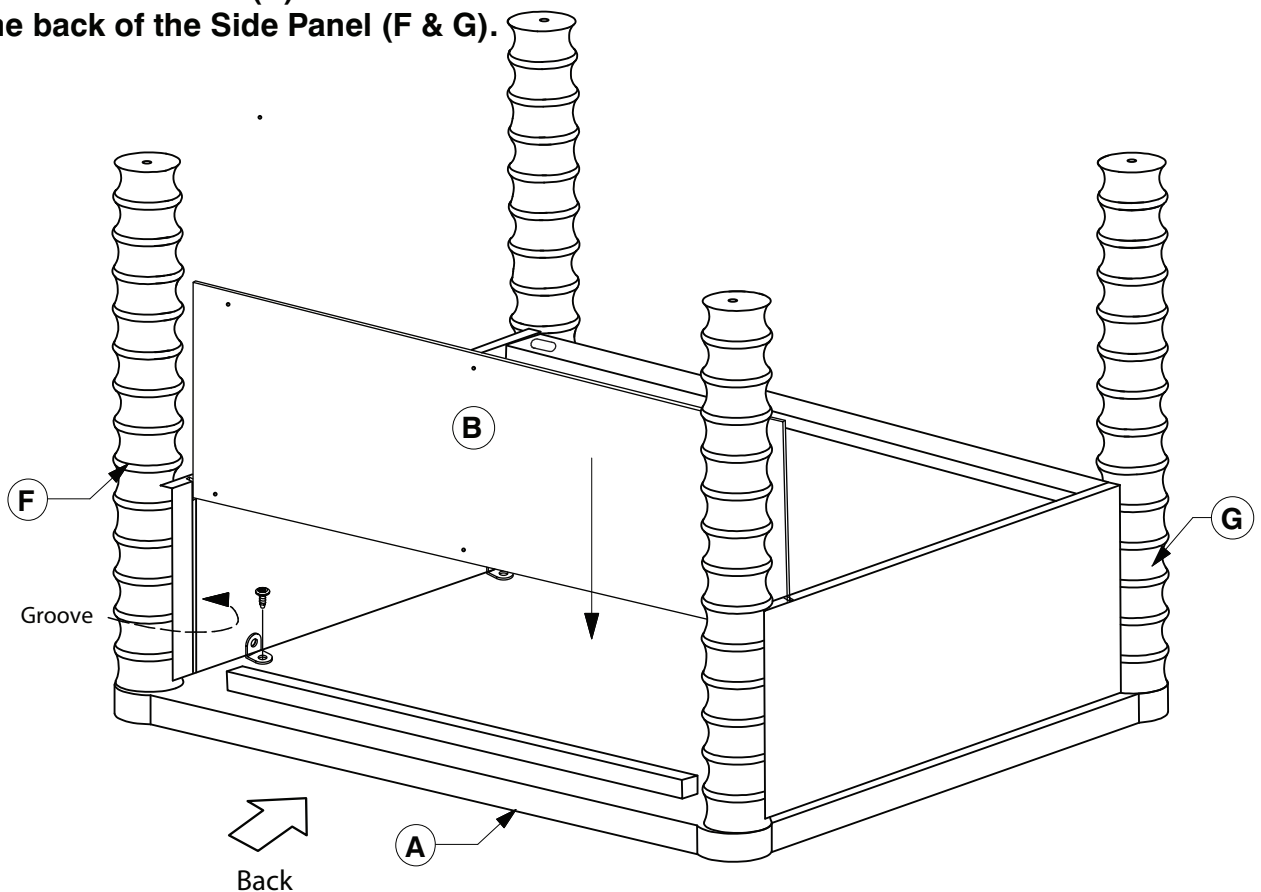
Assembly Instructions

WI-0925

- 8** Fit the Support Bar (C) to the Side Panel (F & G).



- 9** Slide the Back Panel (B) into the Groove on the back of the Side Panel (F & G).

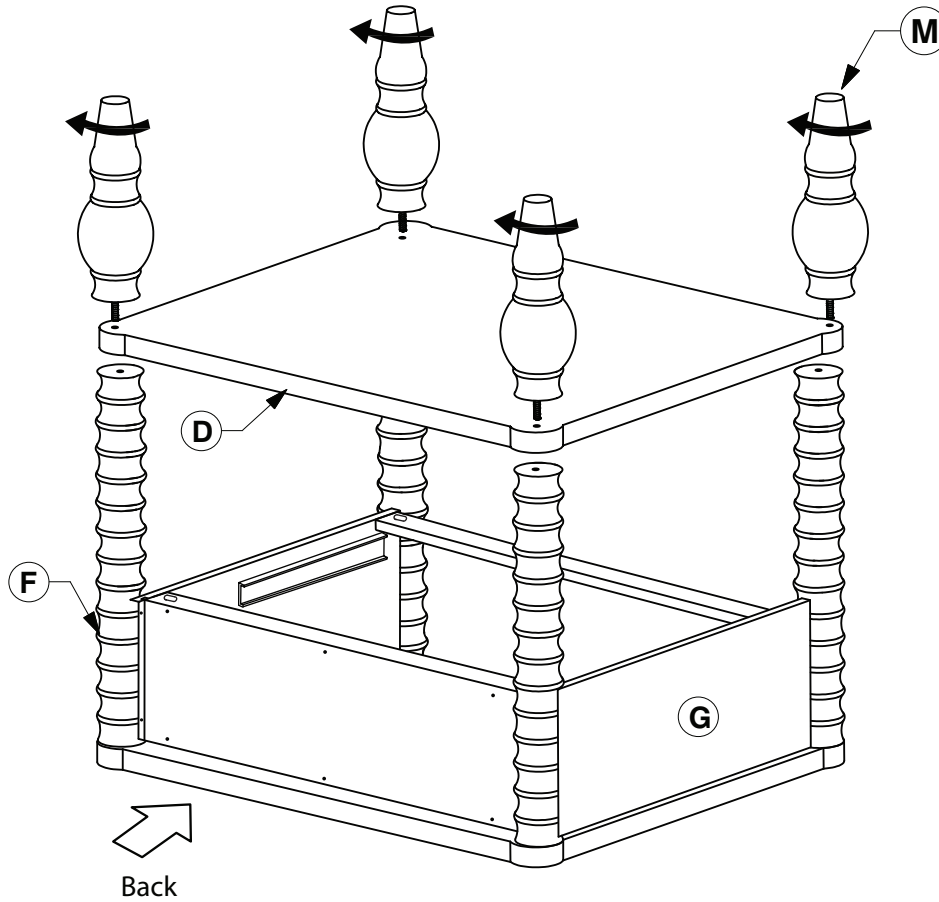


9020 1 Drawer Night Stand

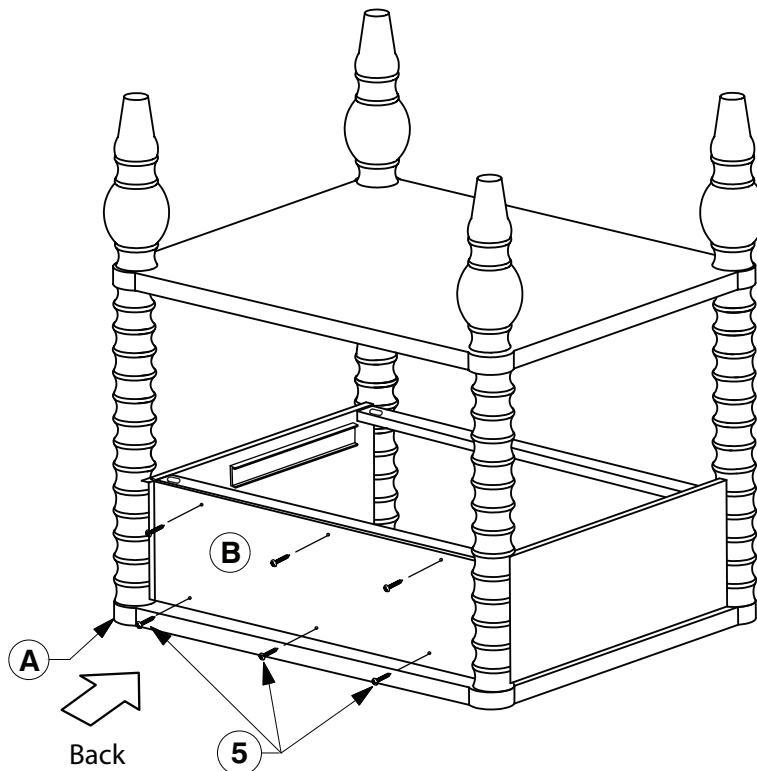
Assembly Instructions

WI-0925

- 10** Fix the Post (M) and Bottom Panel (D) to the Side Panel (F & G).



- 11** Screw the Back Panel (B) to the Side Panel (F & G).

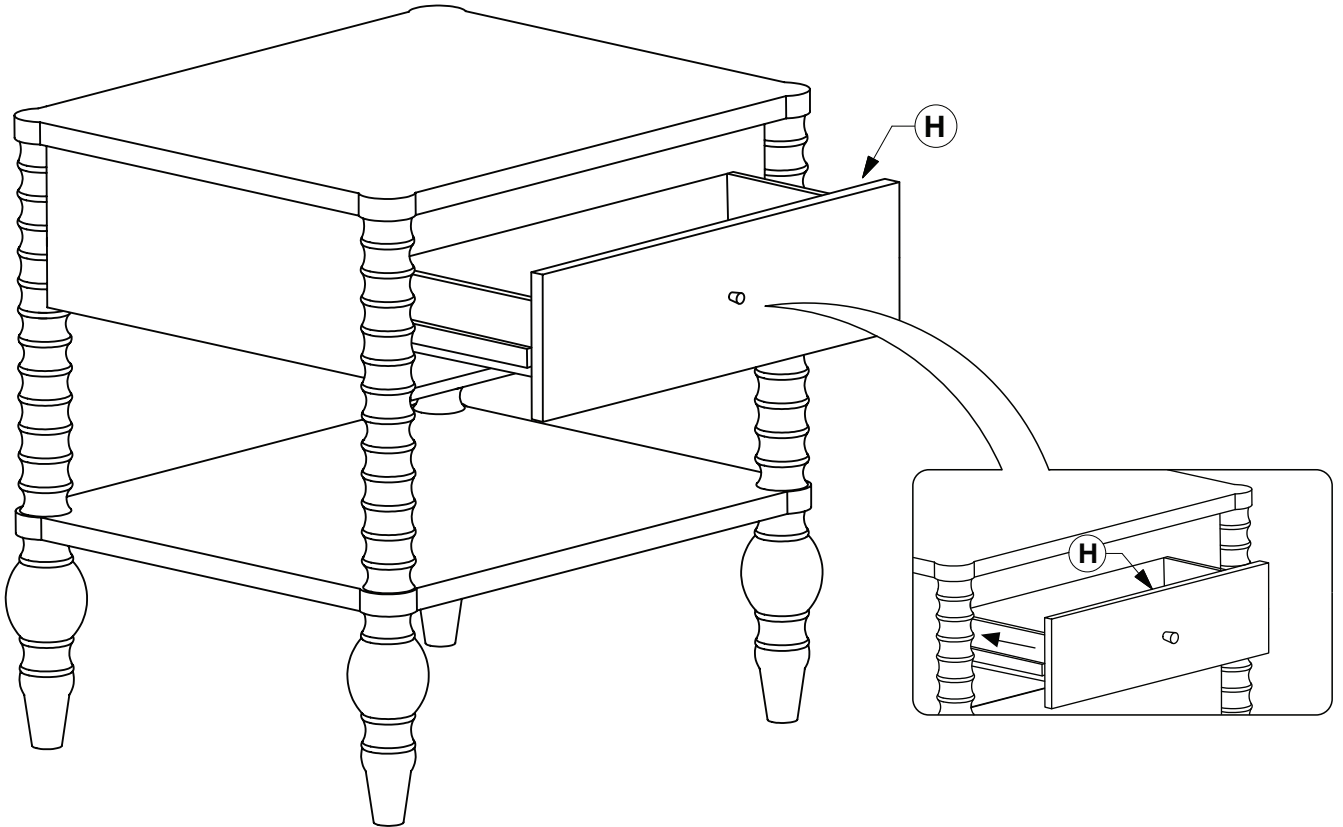


9020 1 Drawer Night Stand

Assembly Instructions

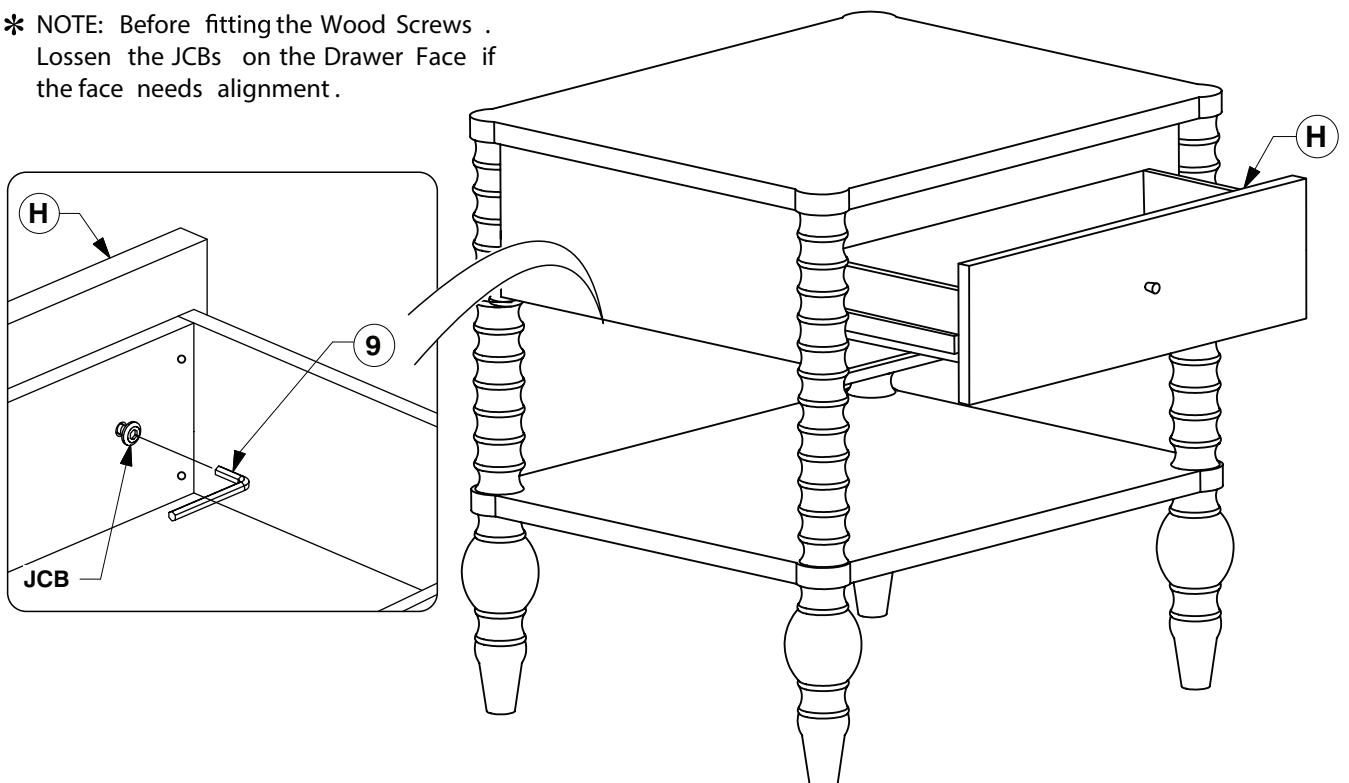
WI-0925

12 Fit the Drawer Face (H) to the Casegood Body.



13 Adjust the Drawer Face (H).

* NOTE: Before fitting the Wood Screws .
Loosen the JCBs on the Drawer Face if
the face needs alignment .



9020 1 Drawer Night Stand

Assembly Instructions

WI-0925

- 14** After the Drawer Faces (H) are aligned, secure with wood screws.

