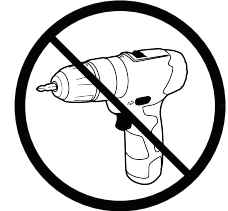
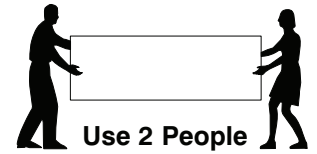


9020 4 Drawer Chest

Assembly Instructions

WI-0825



Note: Do not assemble using power tools. This can cause the bolts to be overtightened

WARNING



Anti Tipping Kit
Anti Tipping Kit x 1



Children have died from furniture tipover.

To reduce the risk of furniture tipover:

- ALWAYS install anti-tip device provided.
- NEVER put a TV on this product.
- NEVER allow children to stand, climb, or hang on any drawers, doors or shelves.
- NEVER open more than one drawer at a time.
- DO NOT defeat or remove the drawer interlock system; it is an important stability and safety system.
- Place heaviest items in the lowest drawer.

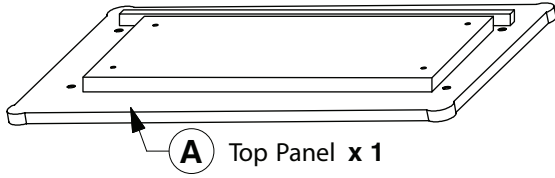
9020 4 Drawer Chest

Assembly Instructions

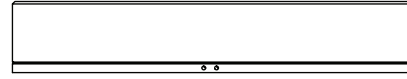
WI-0825

1 Parts List

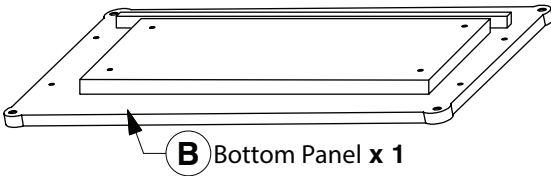
Parts in Box A:



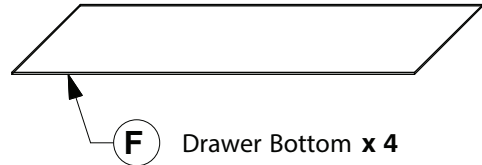
A Top Panel x 1



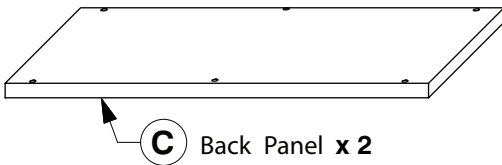
E Drawer Back x 4



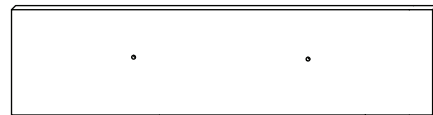
B Bottom Panel x 1



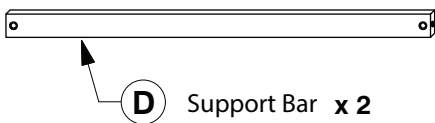
F Drawer Bottom x 4



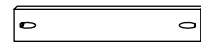
C Back Panel x 2



G Drawer Face x 4

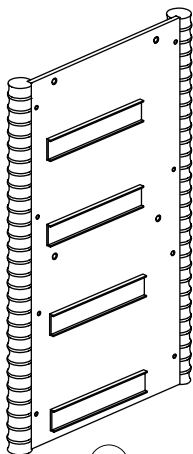


D Support Bar x 2

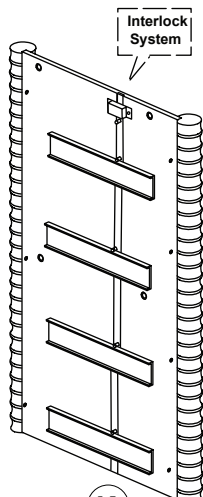


H Drawer Rail x 4

Parts in Box B:

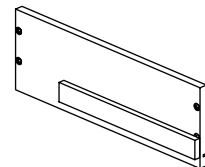


J Side Panel
(Left Hand) x 1

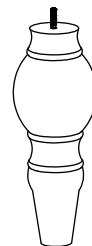
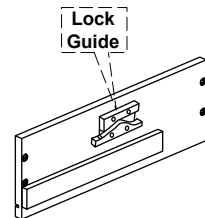


K Side Panel
(Right Hand) x 1

L Drawer Side
(Left Hand) x 4



M Drawer Side
(Right Hand) x 4



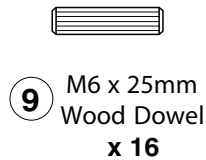
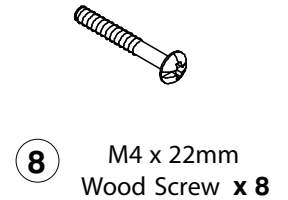
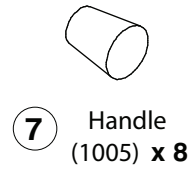
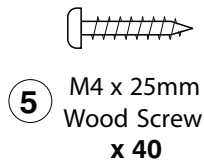
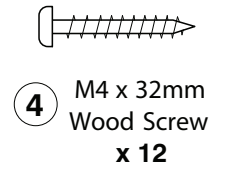
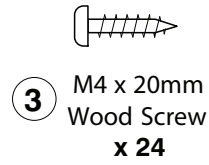
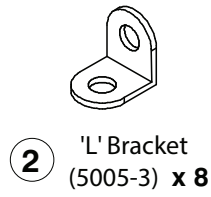
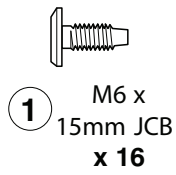
N Post x 4

9020 4 Drawer Chest

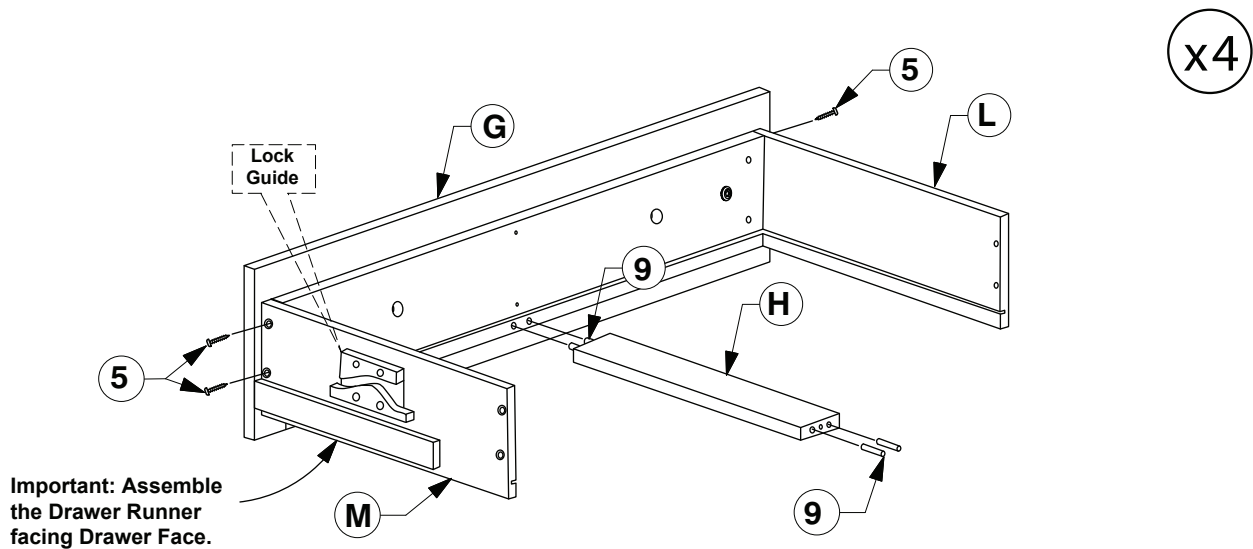
Assembly Instructions

WI-0825

2 Hardware List



3 Assemble the Drawer Sides (L & M) & Drawer Rail (H) to the Drawer Face (G).



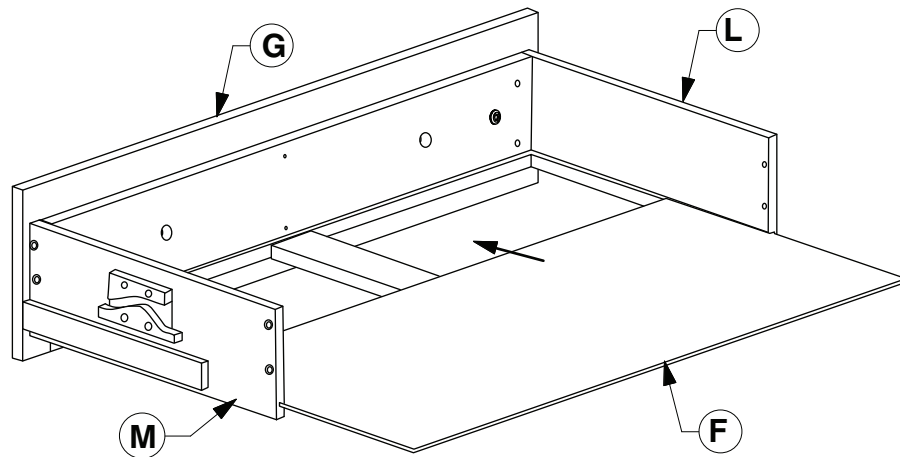
9020 4 Drawer Chest

Assembly Instructions

WI-0825

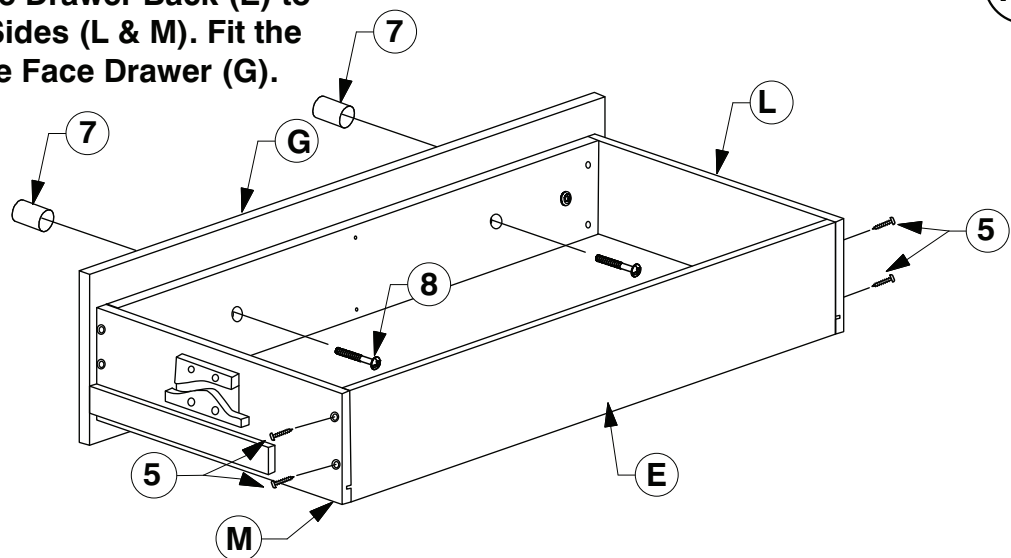
- 4** Slide the Drawer Bottom (F) into the groove on the Drawer Sides (L & M).

x4



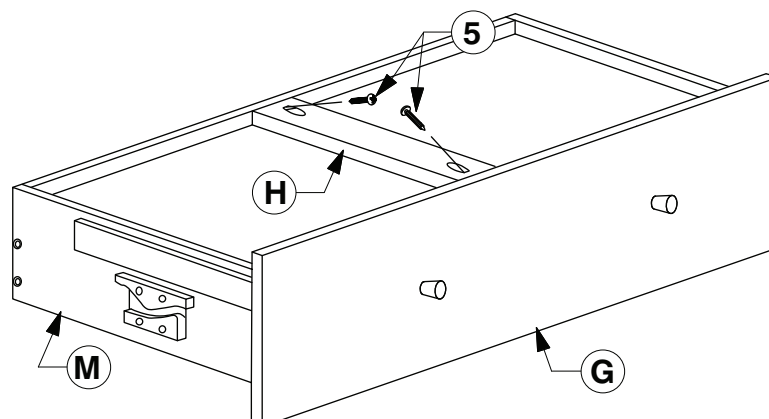
- 5** Assemble the Drawer Back (E) to the Drawer Sides (L & M). Fit the Handle to the Face Drawer (G).

x4



- 6** Turn the Drawer over to fit angled 25mm Wood screws (5) to the Drawer Rail (H).

x4

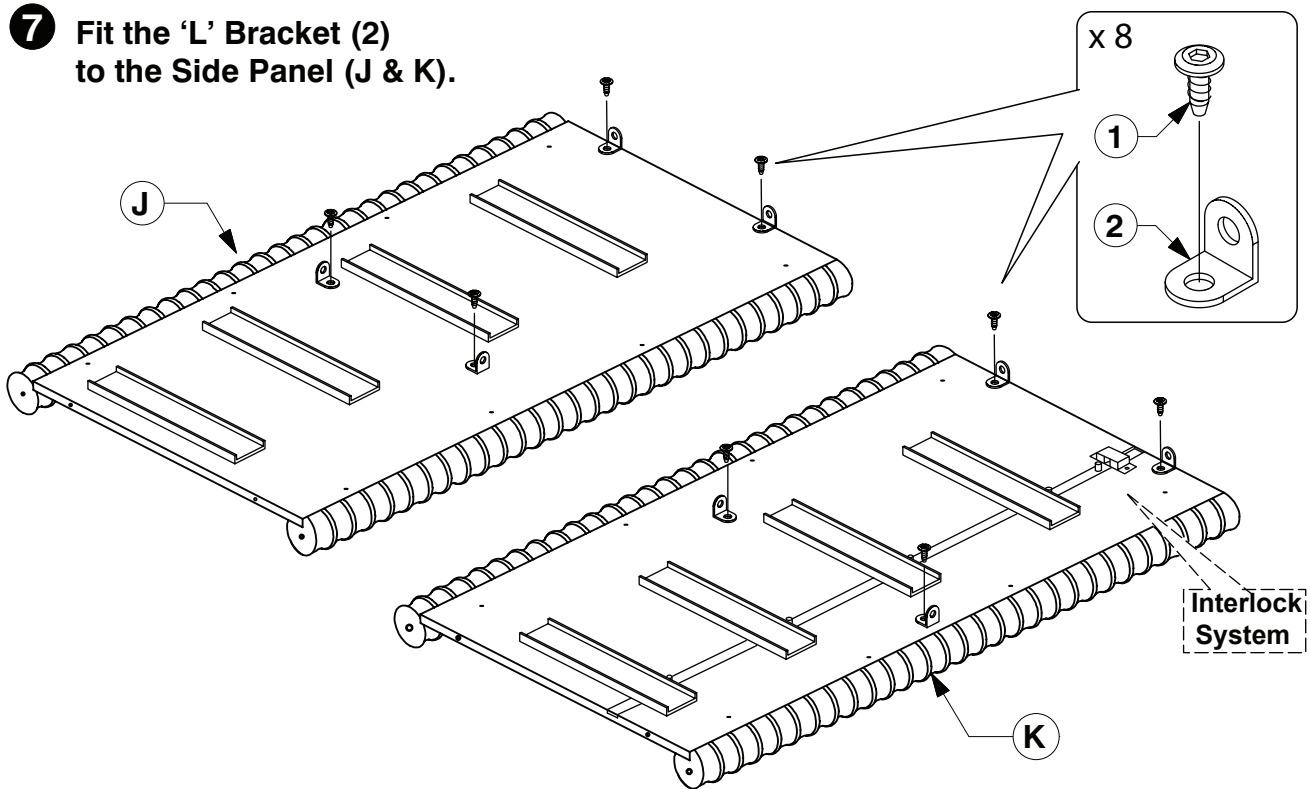


9020 4 Drawer Chest

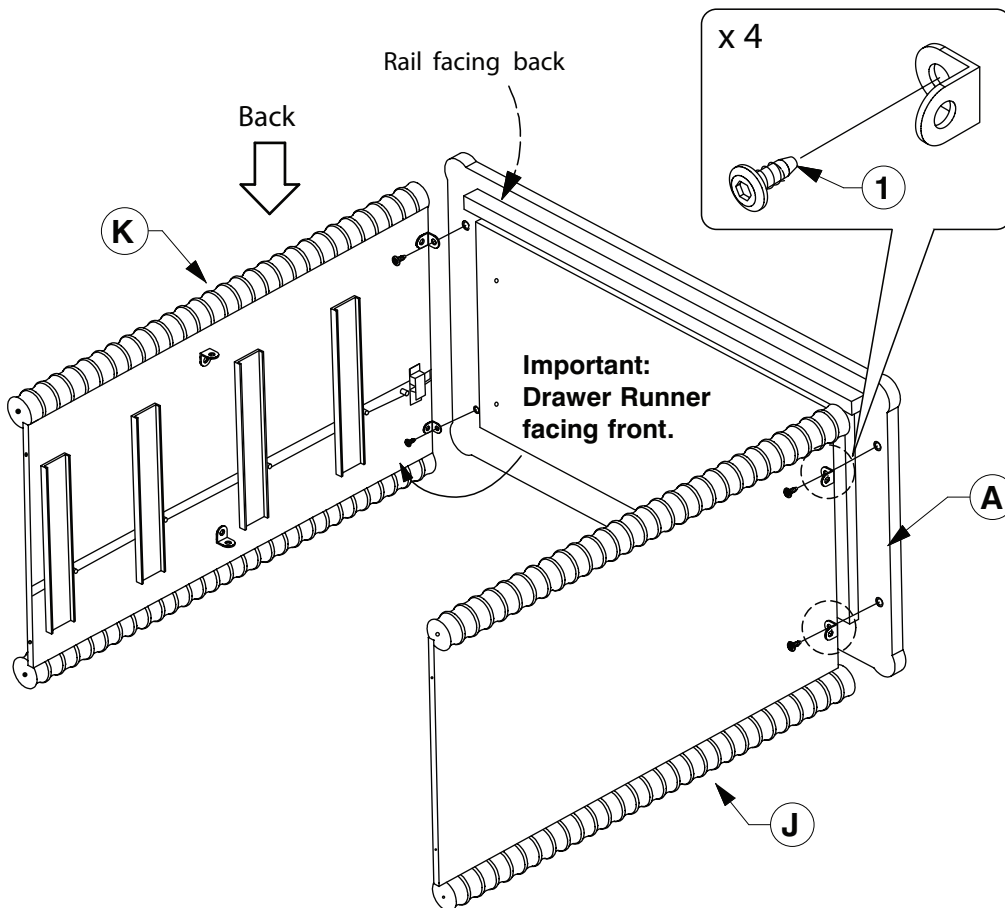
Assembly Instructions

WI-0825

- 7** Fit the 'L' Bracket (2) to the Side Panel (J & K).



- 8** Assembled the Top Panel (A) to the Side Panel (J & K).

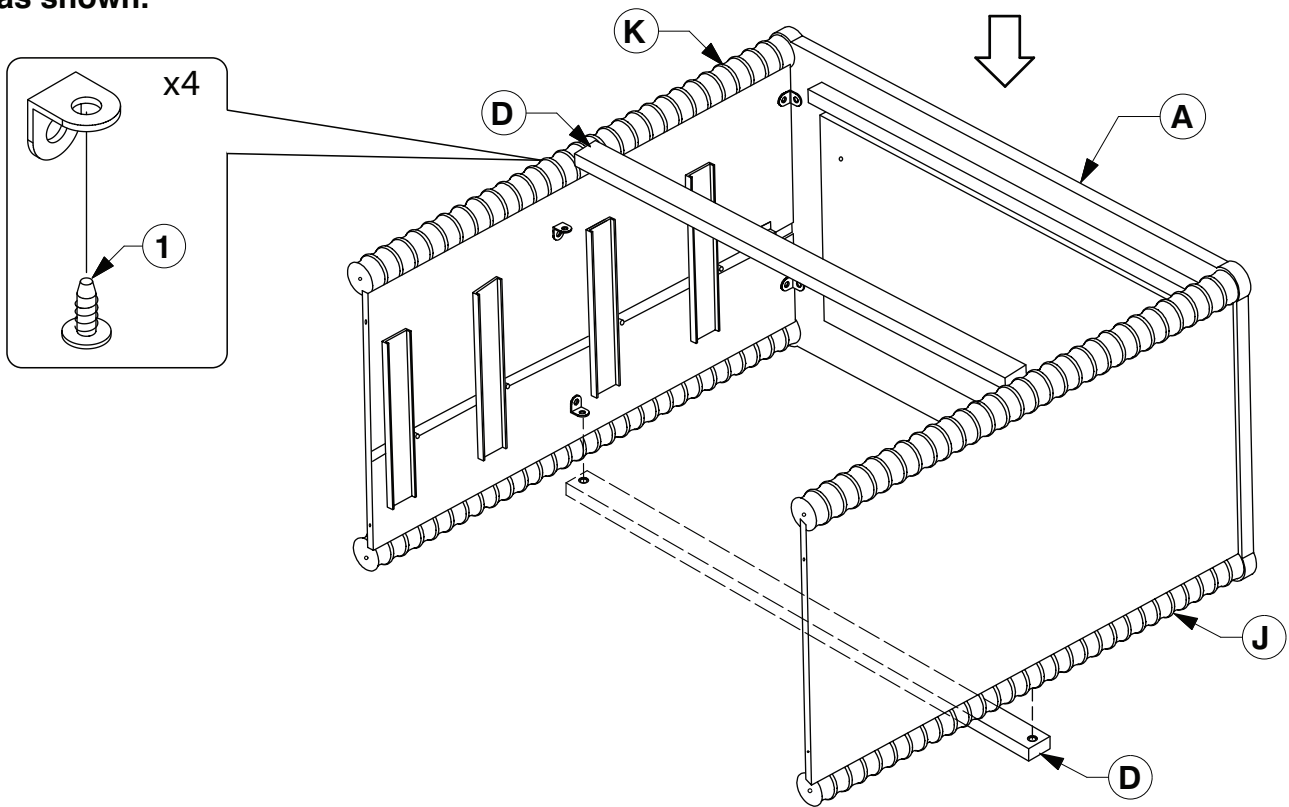


9020 4 Drawer Chest

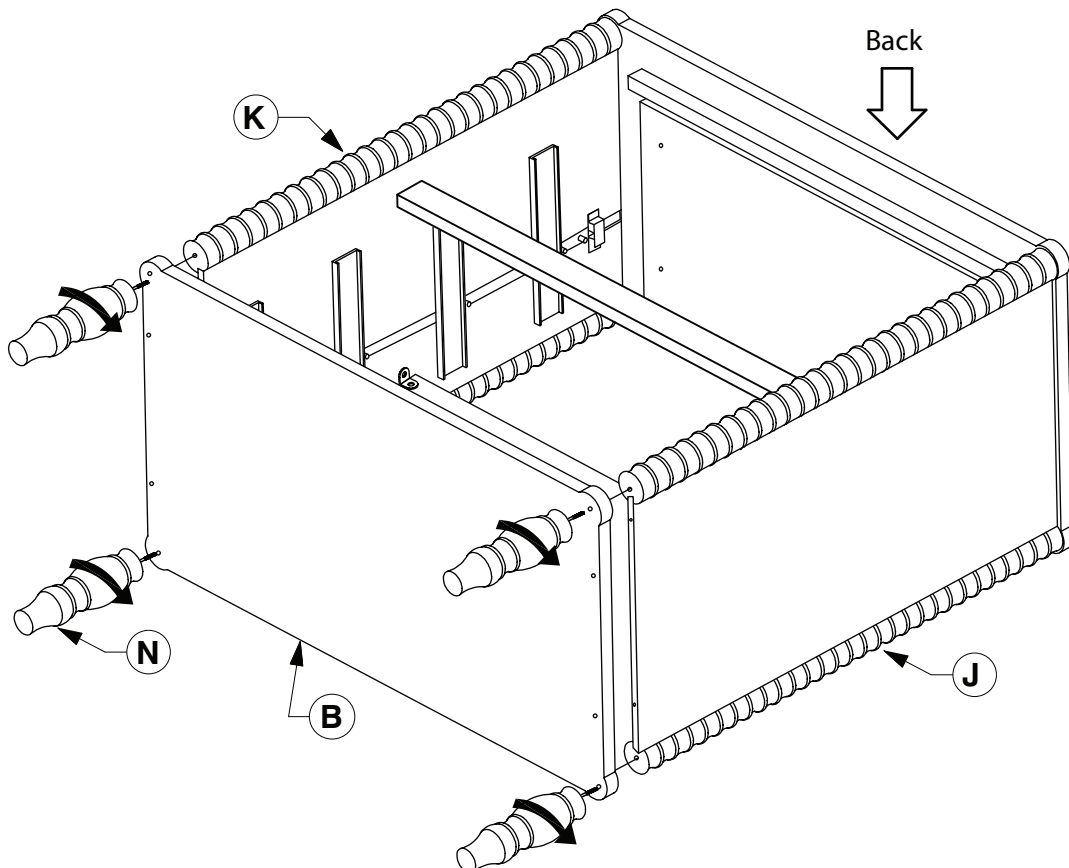
Assembly Instructions

WI-0825

- 9** Fit the Support Bar (D) to the Side Panel (J & K) as shown.



- 10** Fix the Post (N) and Bottom Panel (B) to the Side Panel (J & K).

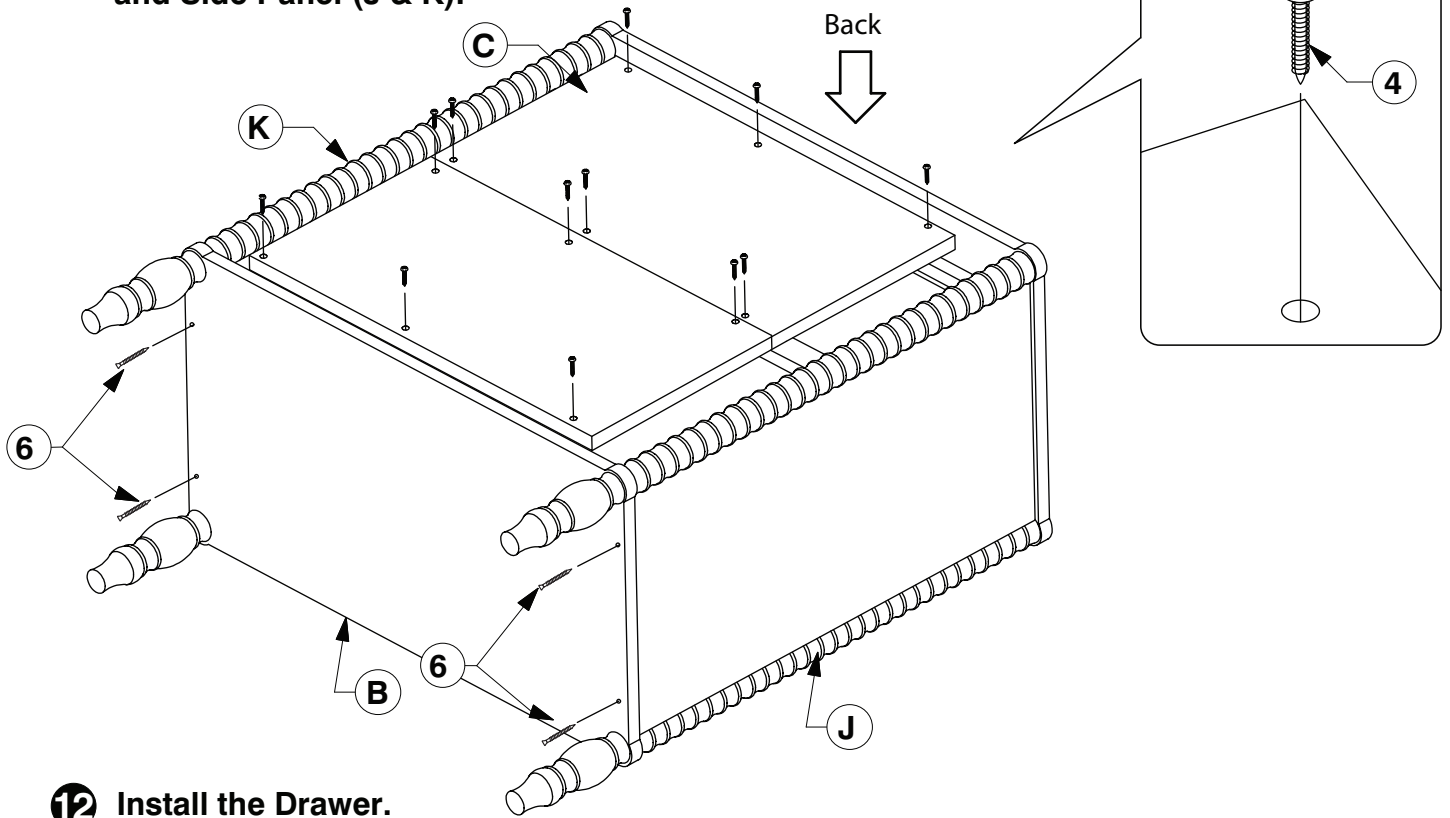


9020 4 Drawer Chest

Assembly Instructions

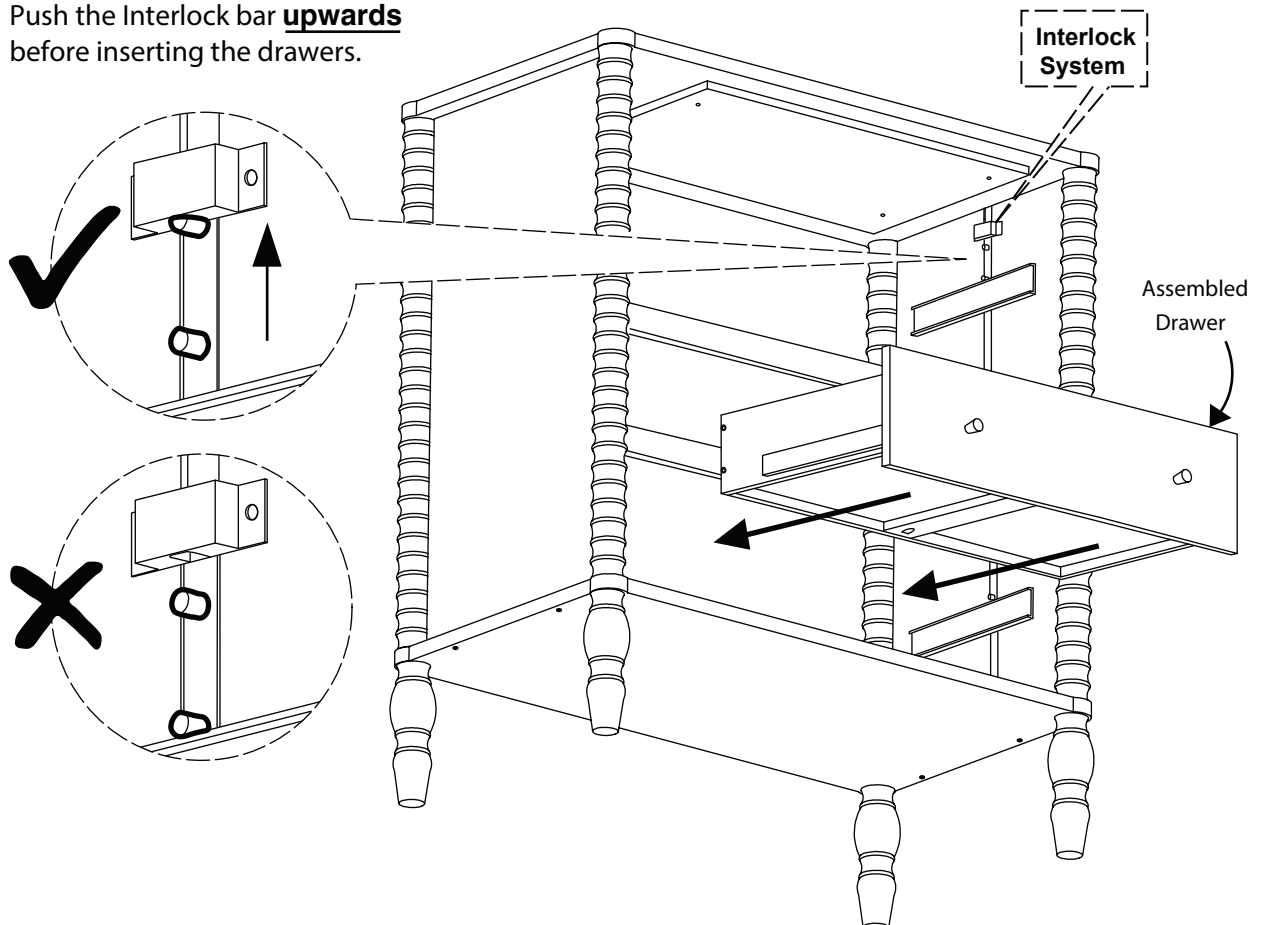
WI-0825

- 11** Attached the Back Panel (C) to the back of the frame. Use CSK Cap Wood Screw (6) to fit the Bottom Panel (B) and Side Panel (J & K).



- 12** Install the Drawer.

- Push the Interlock bar **upwards** before inserting the drawers.



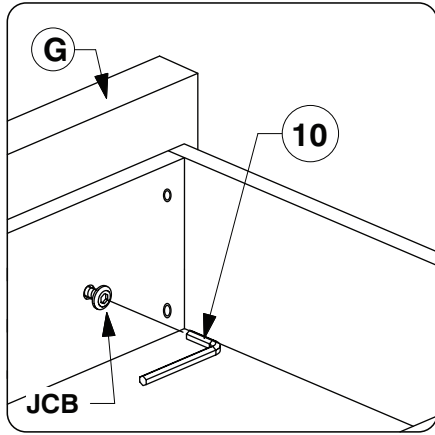
9020 4 Drawer Chest

Assembly Instructions

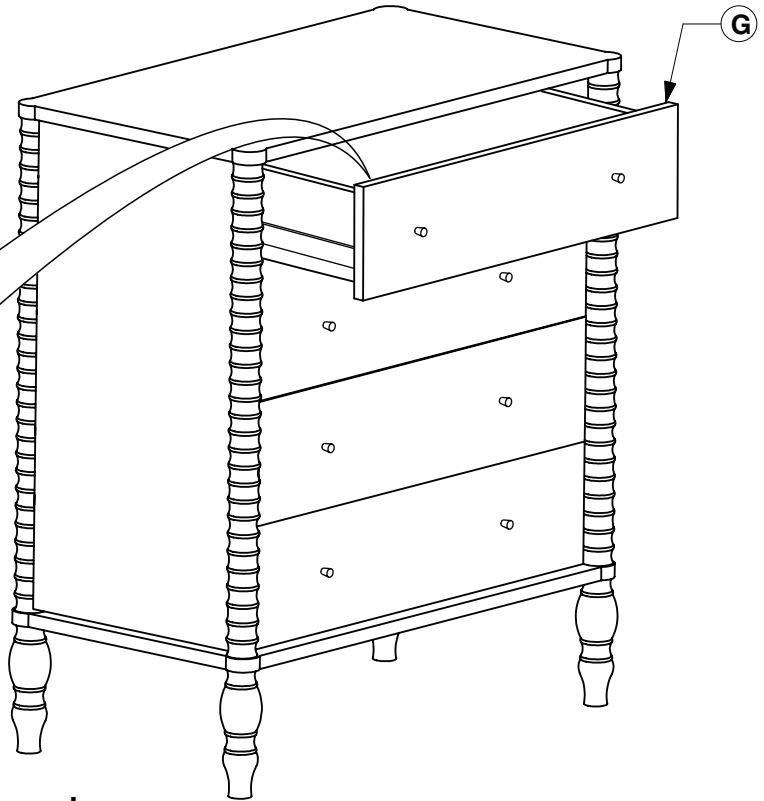
WI-0825

13 Fit and adjust the Drawer Face (G)

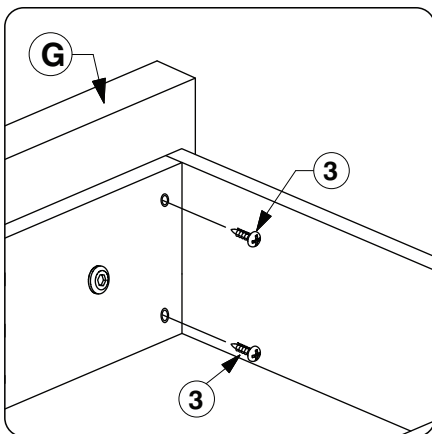
* NOTE: Before fitting the Wood Screws .
Loosen the JCBs on the Drawer Face if
the face needs alignment .



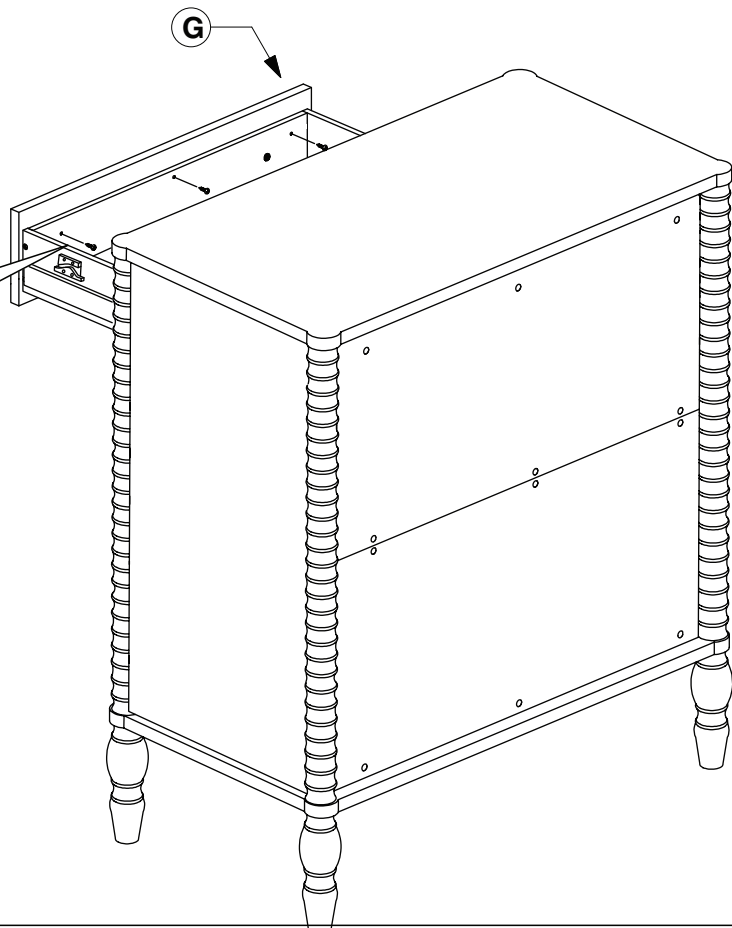
* NOTE: Only one Drawer can be open
at a time.



14 After the Drawer Faces (G) are aligned secure with wood screws.



* NOTE: Only one Drawer can be open
at a time.



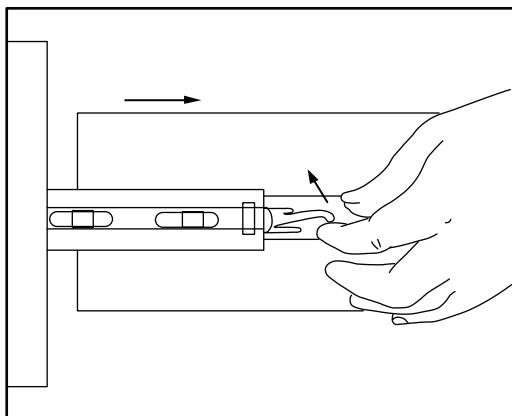
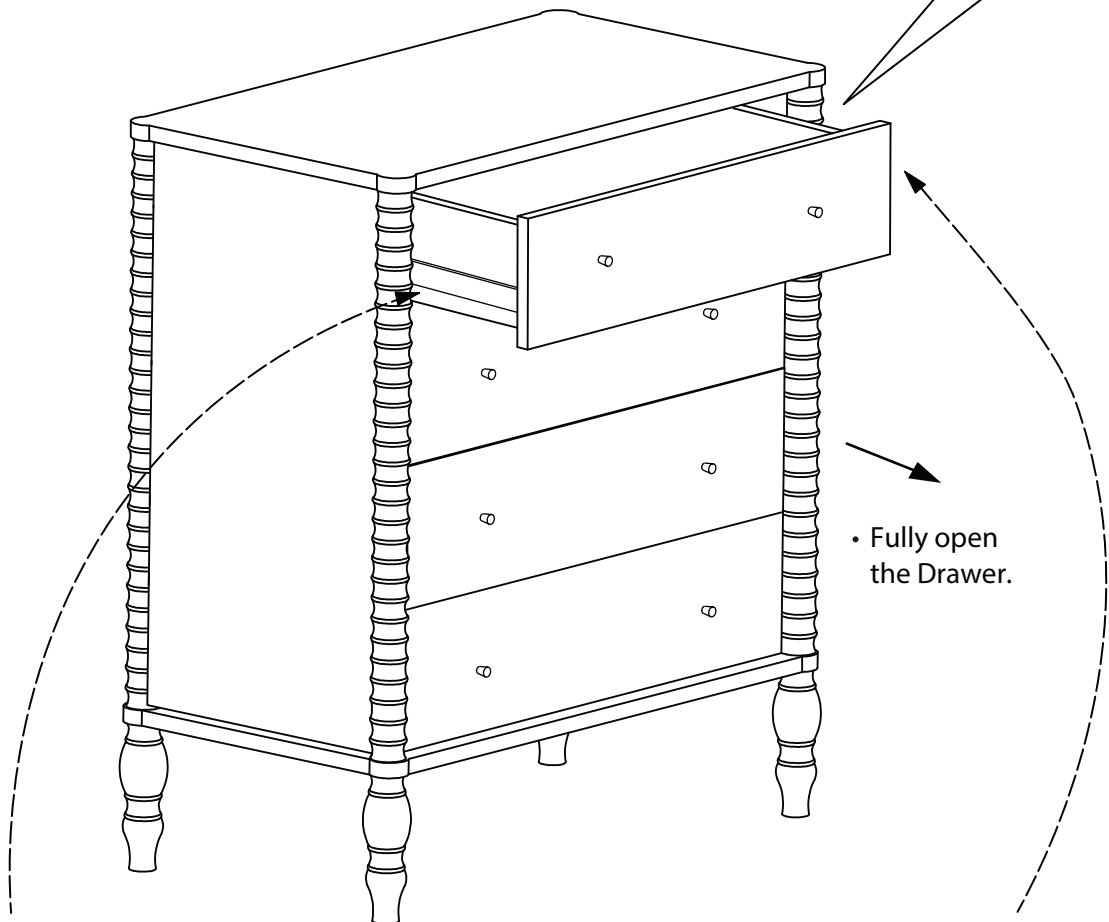
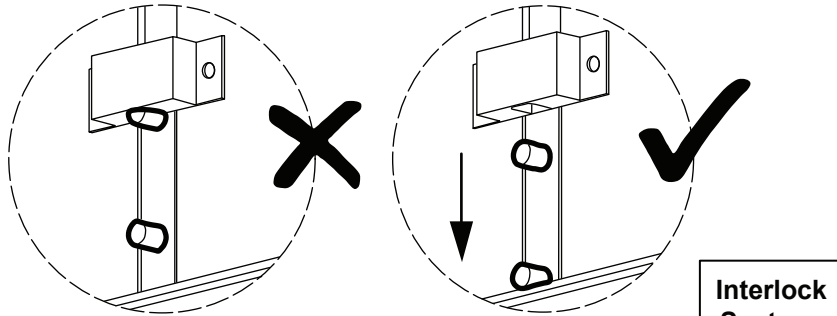
9020 4 Drawer Chest

Assembly Instructions

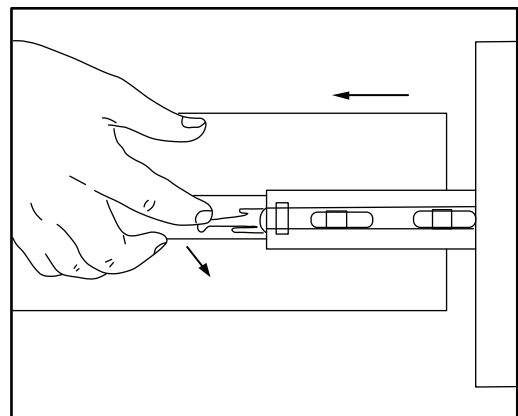
WI-0825

15 Remove the Drawers.

- After removing the top drawer, push the interlock bar **down**. Then remove the lower drawers.



- Lift the **LEFT** side clip up.



- Push the **RIGHT** side clip down.