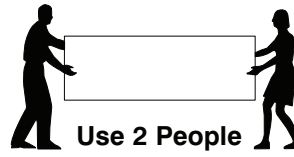
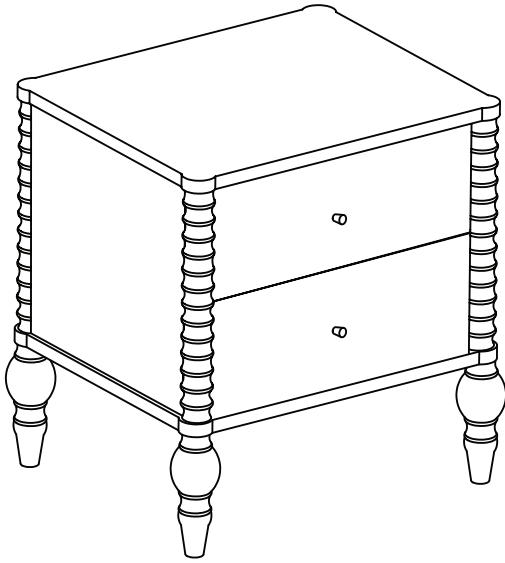


9020 2 Drawer Night Stand

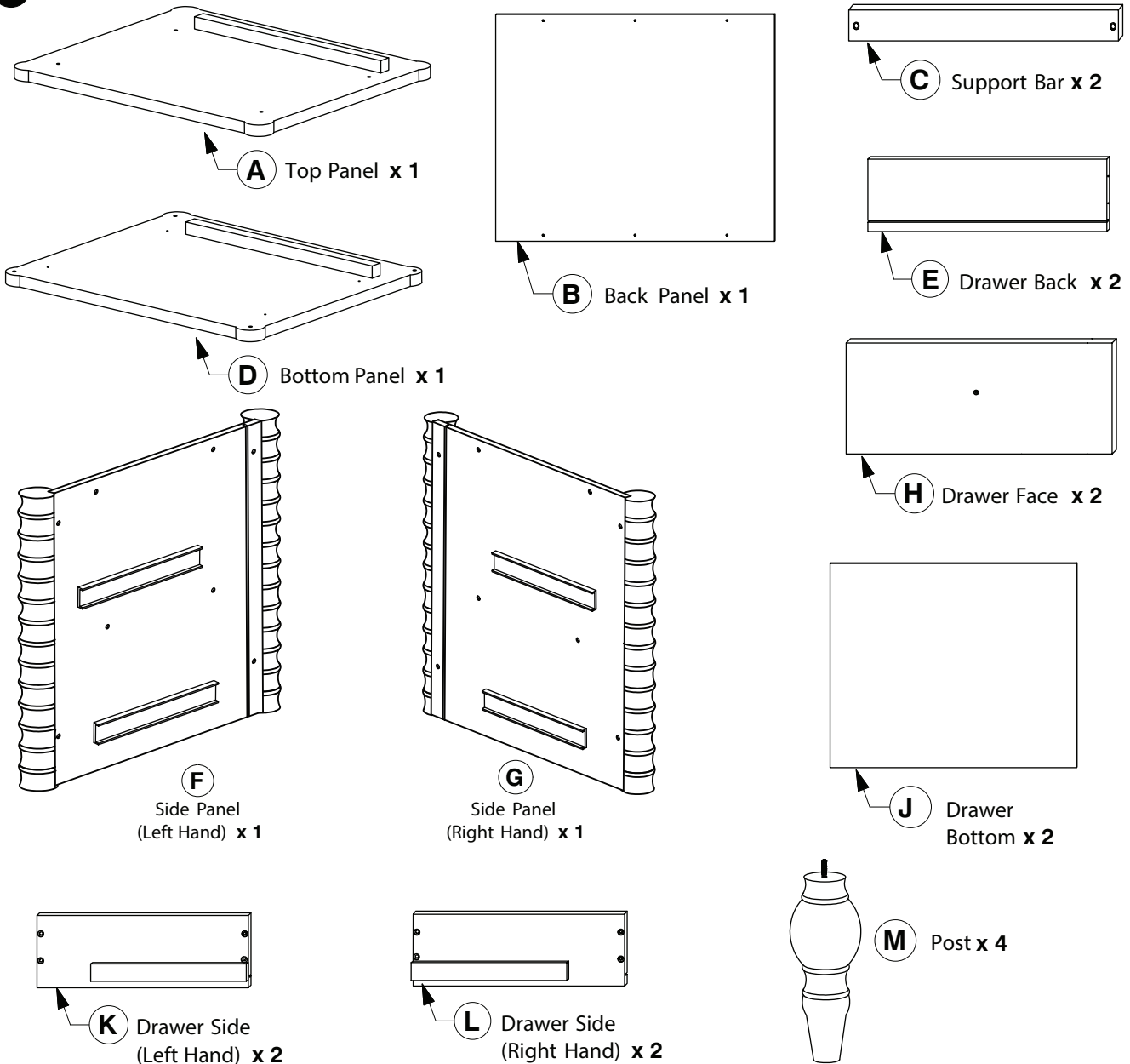
Assembly Instructions

WI-0825



Note: Do not assemble using power tools. This can cause the bolts to be overtightened

1 Parts List


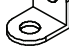
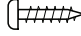
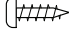
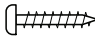
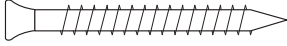
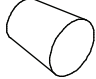




9020 2 Drawer Night Stand

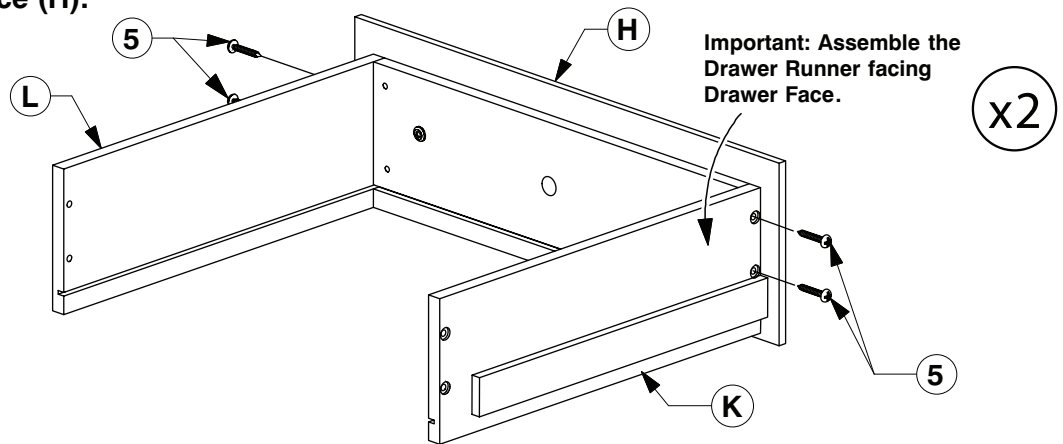
Assembly Instructions

WI-0825

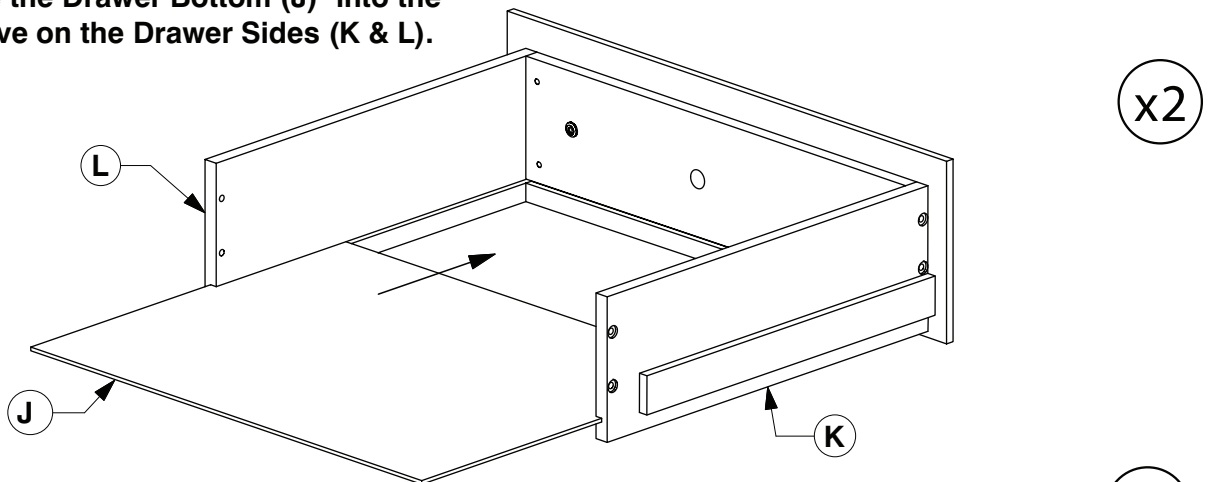
2 Hardware List

- | | | | | |
|---|---|---|---|--|
| 
1 M6 x 15mm
JCB x 16 | 
2 'L' Bracket
(5005-3) x 8 | 
3 M4 x 20mm
Wood Screw x 8 | 
4 M4 x 16mm
Wood Screw x 6 | 
5 M4 x 25mm
Wood Screw x 16 |
| 
6 CSK Cap Wood Screw
(M6 x 60mm) x 4 | 
7 Handle
(1005) x 2 | 
8 M4 x 22mm
Wood Screw x 2 | 
9 Allen Key
x 1 | |

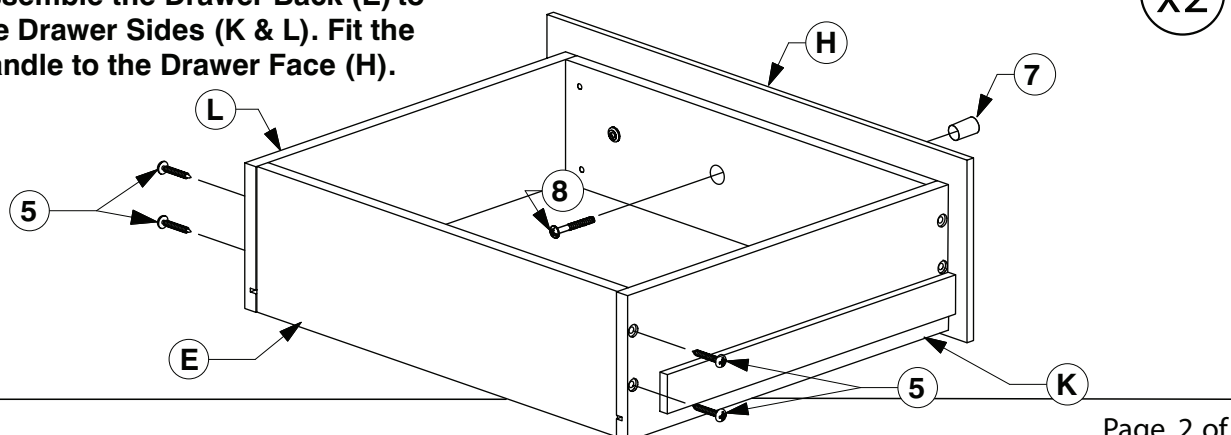
3 Assemble the Drawer Sides (K & L) to the Drawer Face (H).



4 Slide the Drawer Bottom (J) into the groove on the Drawer Sides (K & L).



5 Assemble the Drawer Back (E) to the Drawer Sides (K & L). Fit the Handle to the Drawer Face (H).

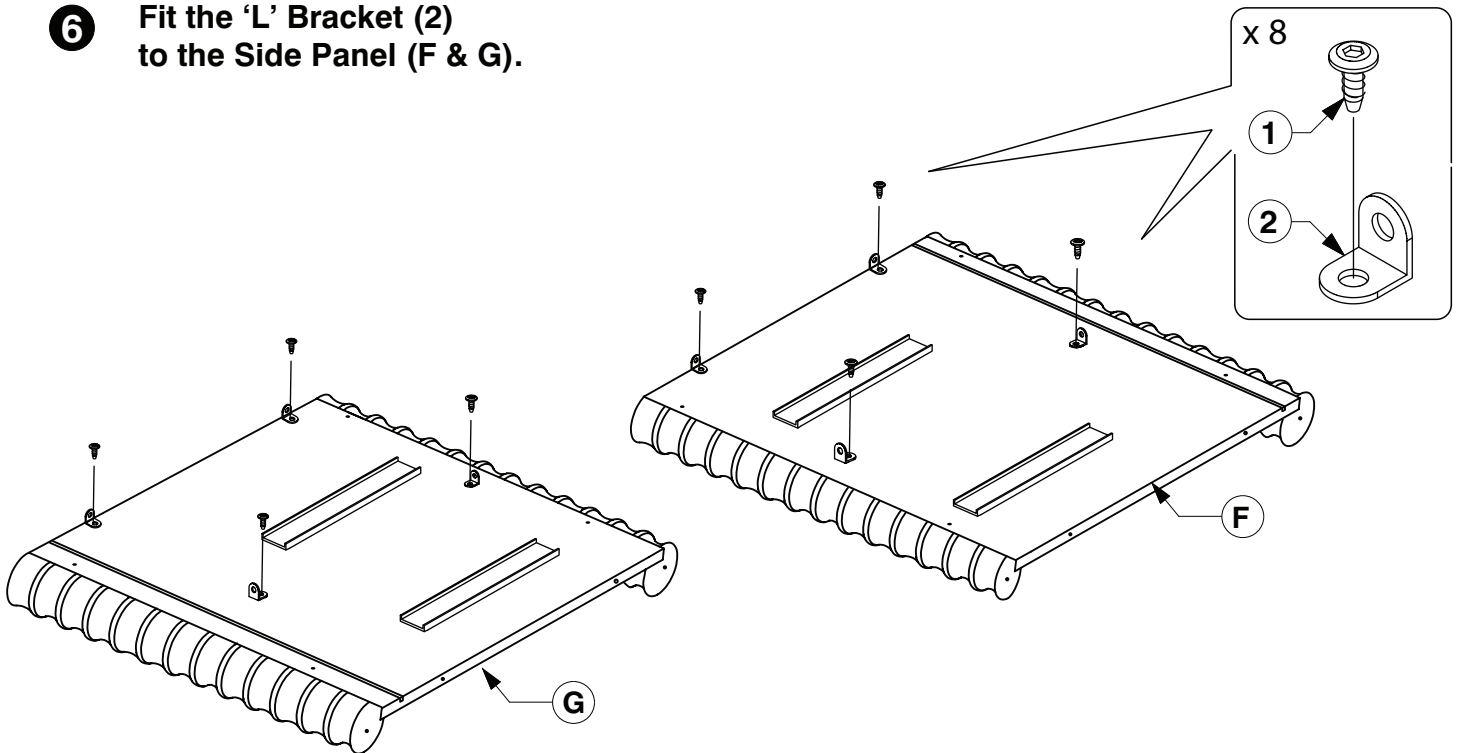


9020 2 Drawer Night Stand

Assembly Instructions

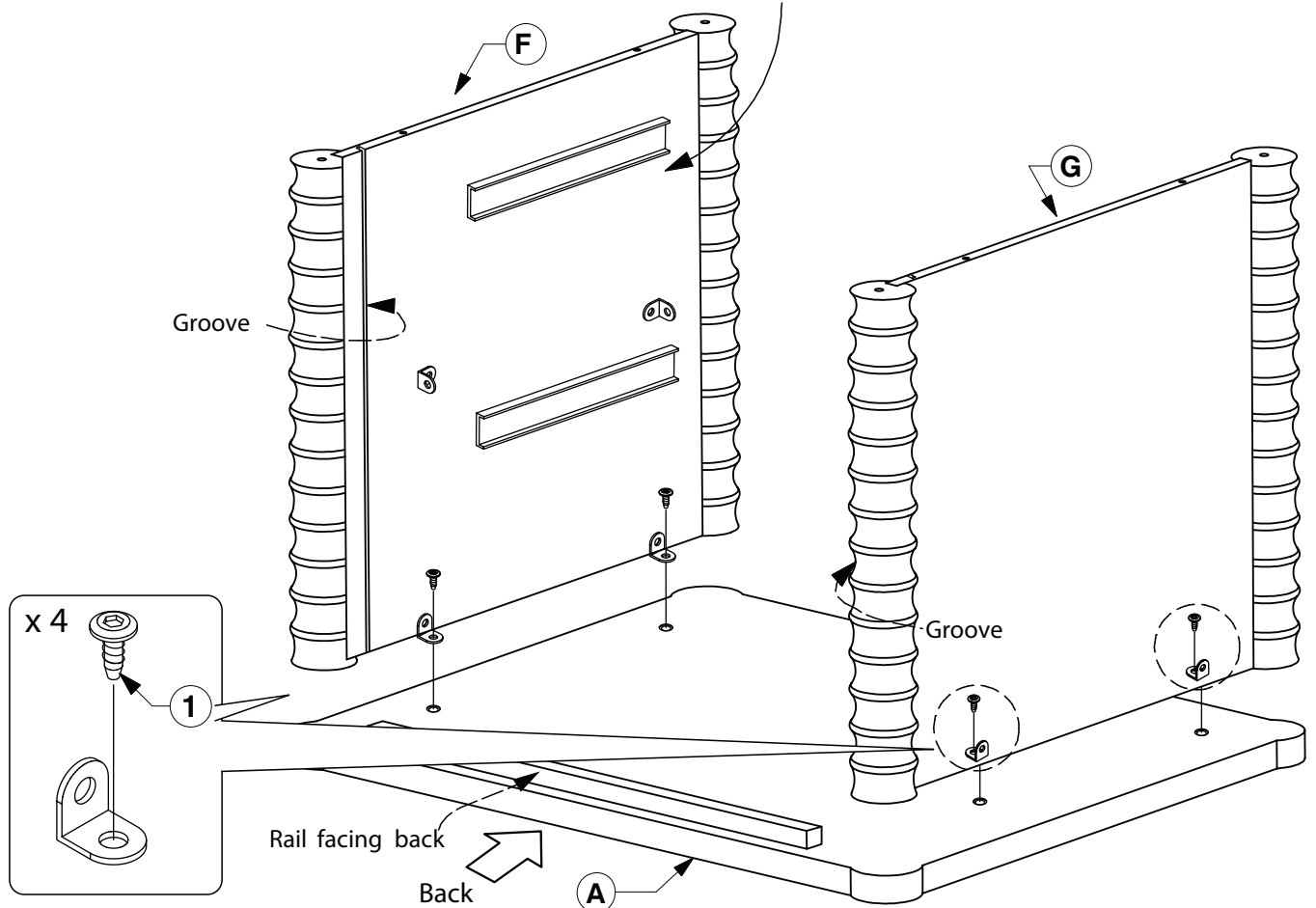
WI-0825

- 6** Fit the 'L' Bracket (2) to the Side Panel (F & G).



- 7** Assemble the Side Panel (F & G) to the Top Panel (A).

Important:
Drawer Runner
facing front.

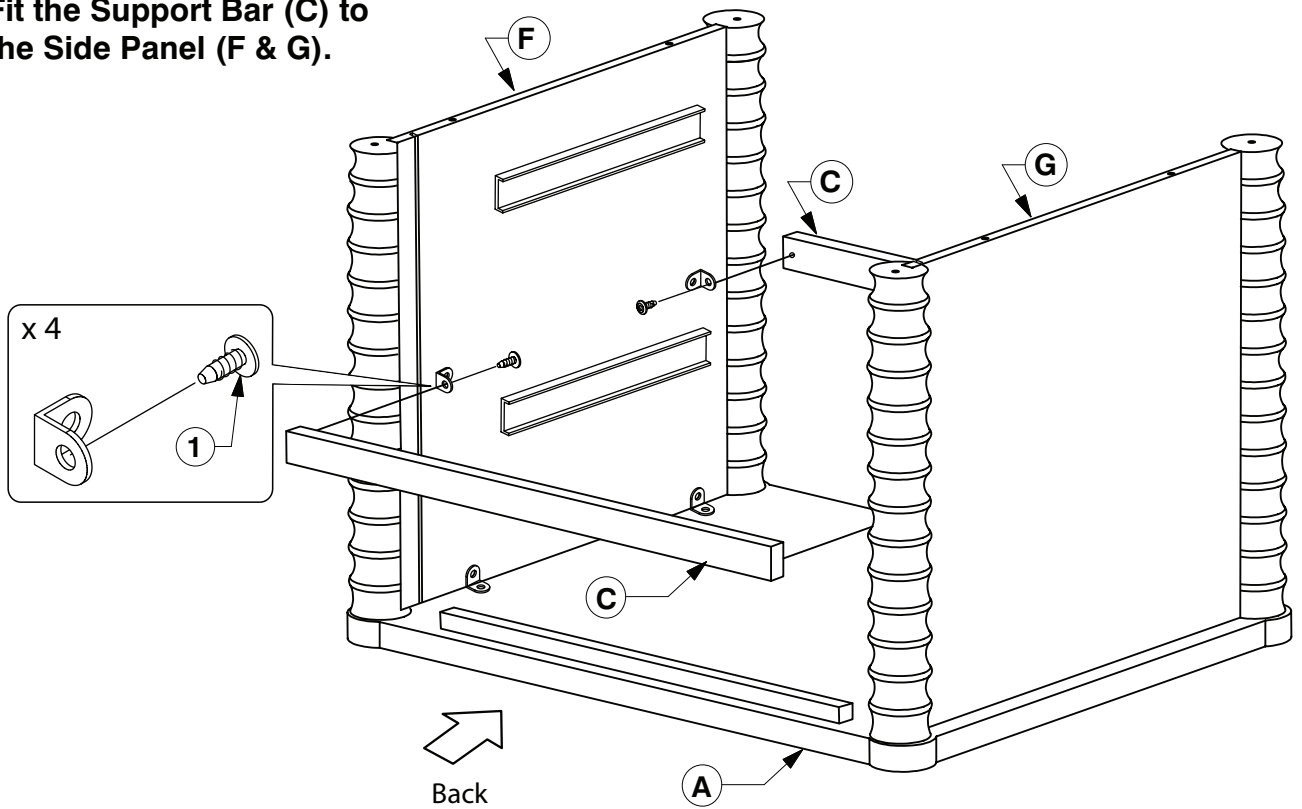


9020 2 Drawer Night Stand

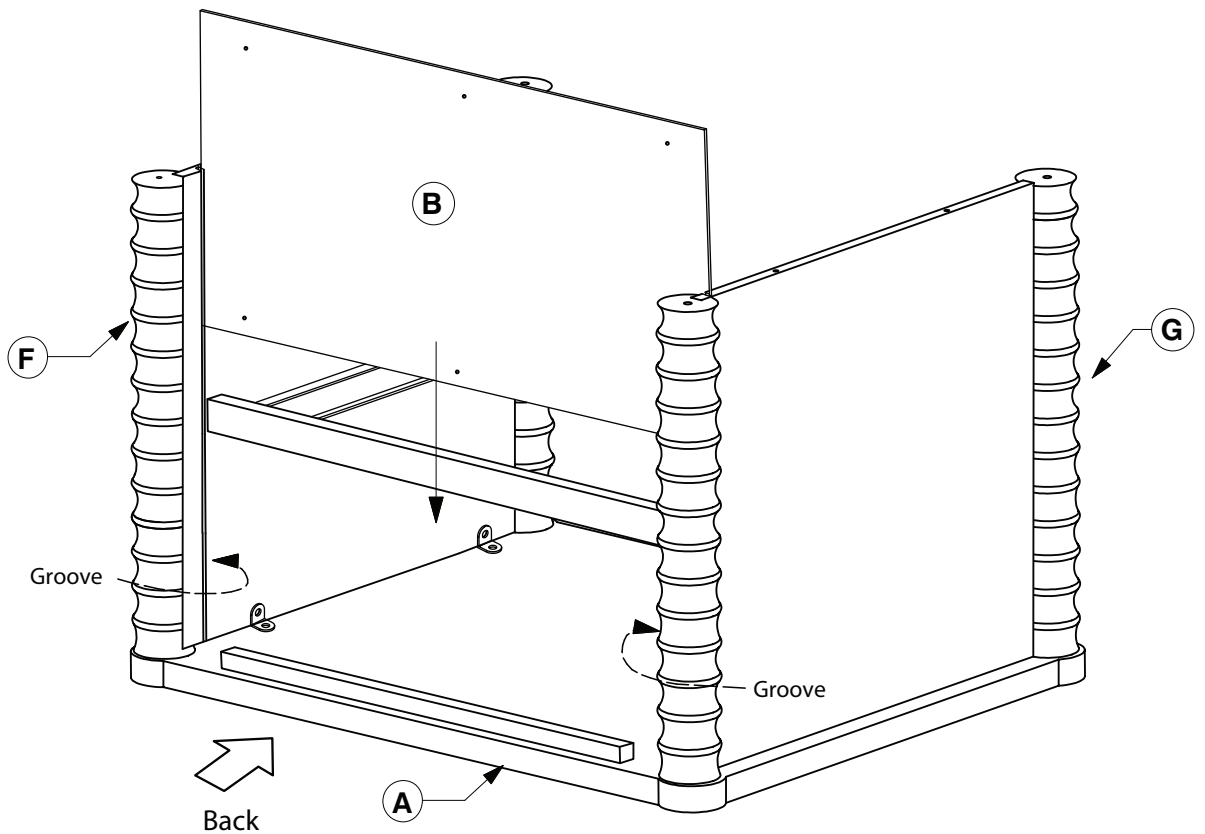
Assembly Instructions

WI-0825

- 8** Fit the Support Bar (C) to the Side Panel (F & G).



- 9** Slide the Back Panel (B) into the on the back of the Side Panel (F & G).

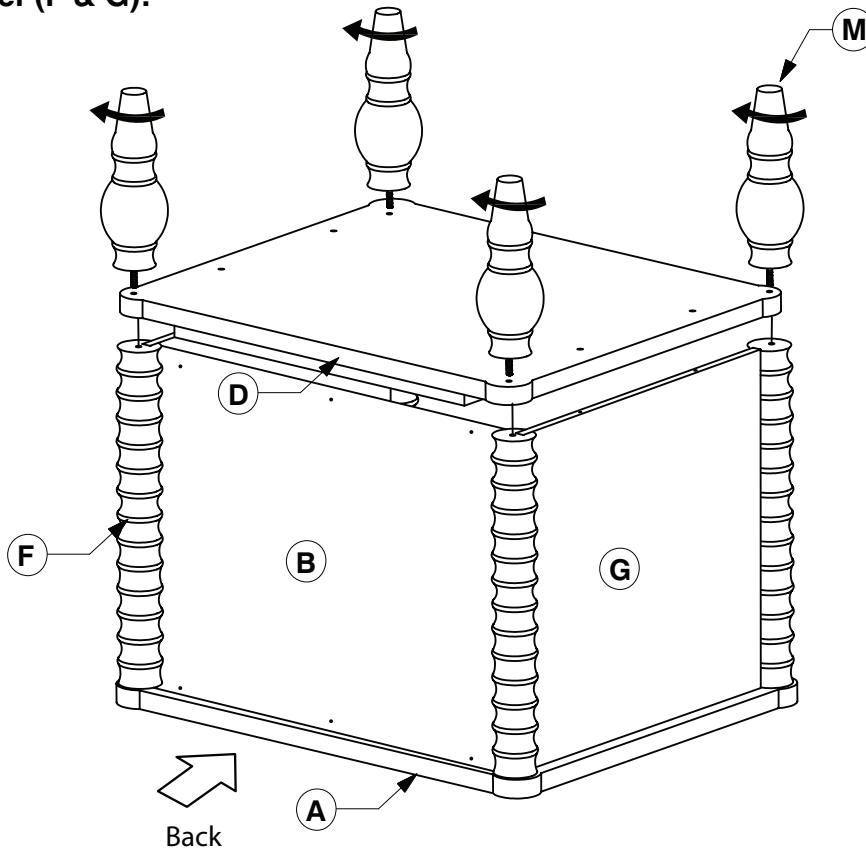


9020 2 Drawer Night Stand

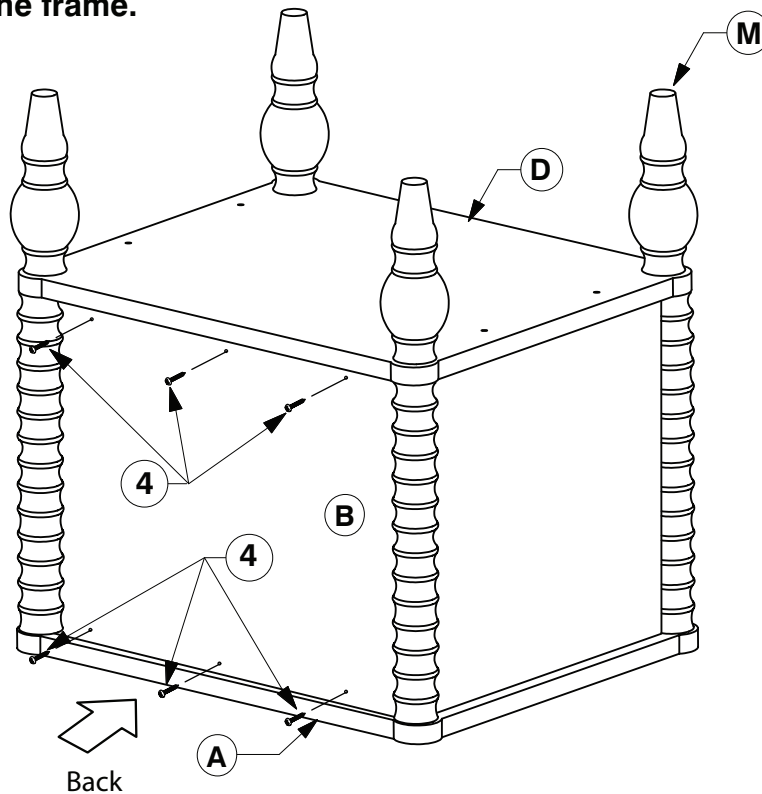
Assembly Instructions

WI-0825

- 10** Fix the Post (M) and Bottom Panel (D) to the Side Panel (F & G).



- 11** Use screw to tighten the Back Panel (B) to the back of the frame.

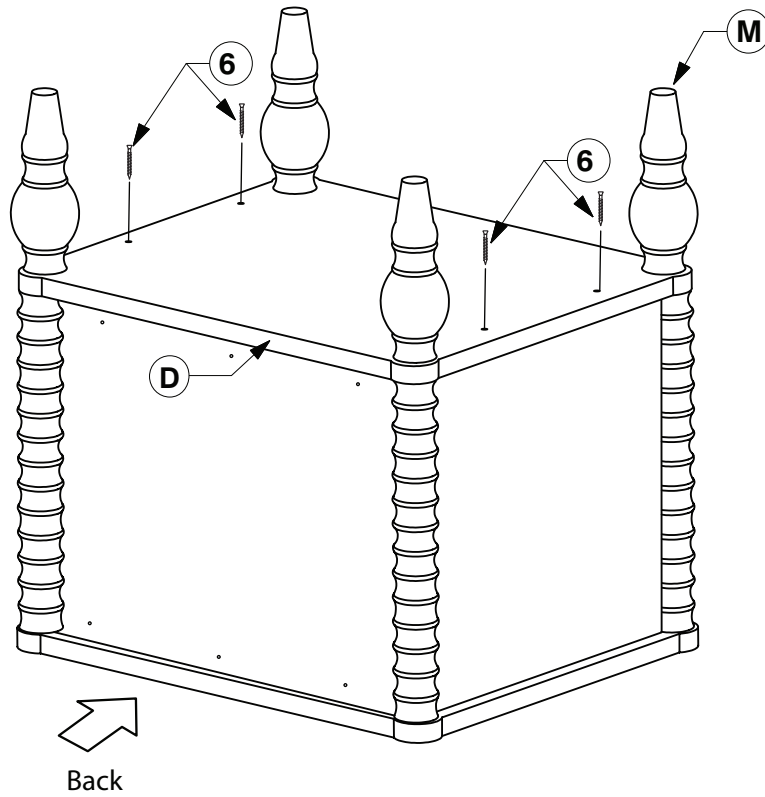


9020 2 Drawer Night Stand

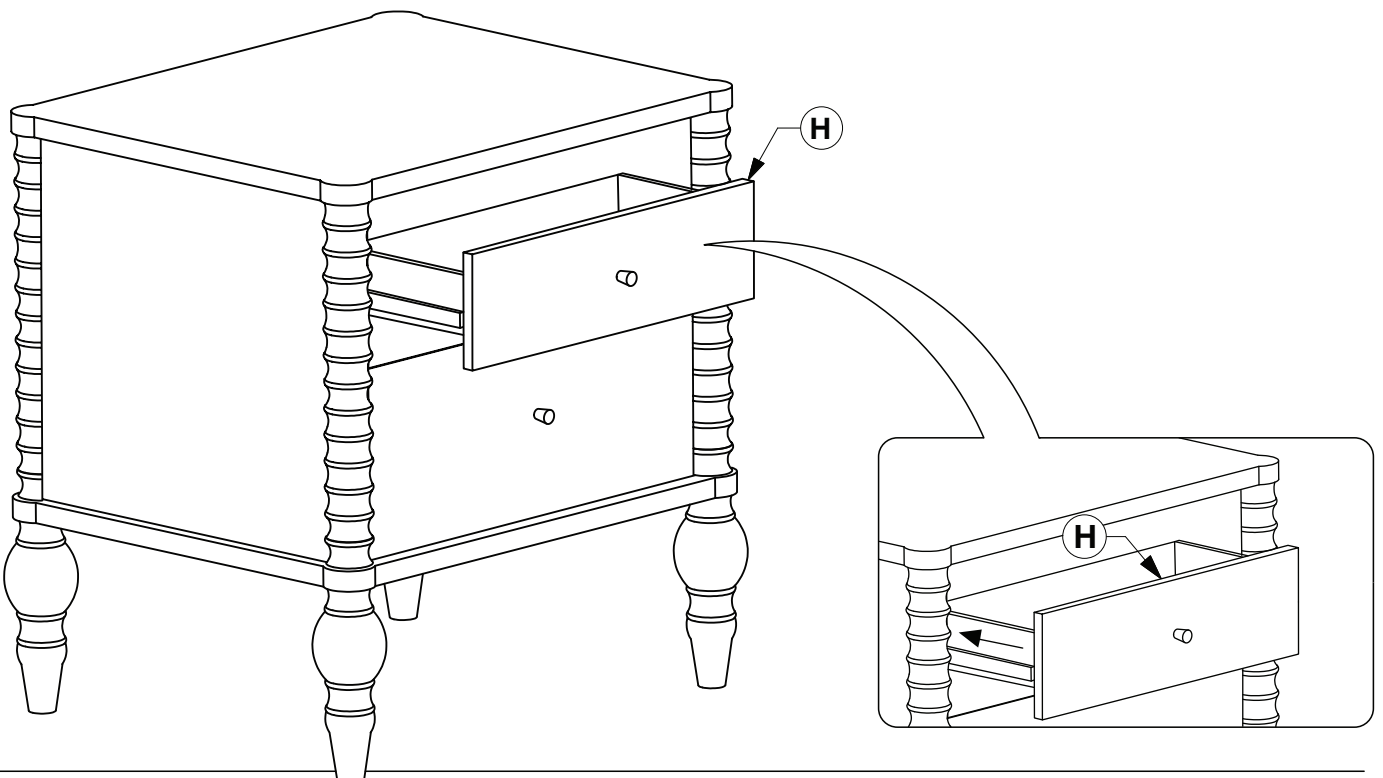
Assembly Instructions

WI-0825

- 12** Use CSK Cap Wood Screw (6) fit the Bottom Panel (D) to the Side Panel (F & G).



- 13** Fit the Drawer Face (H) to the casegood body.



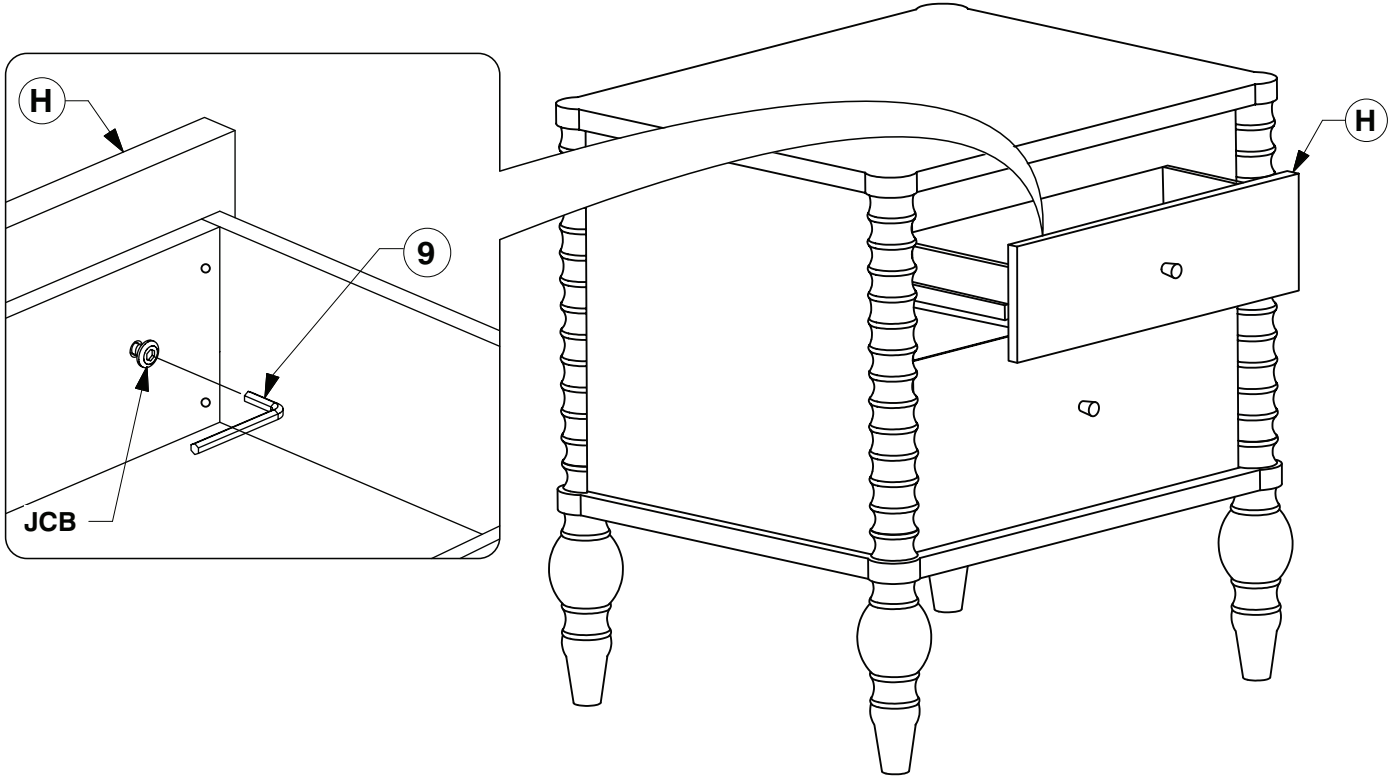
9020 2 Drawer Night Stand

Assembly Instructions

WI-0825

14 Adjust the Drawer Face (H).

* NOTE: Before fitting the Wood Screws .
Loosen the JCBs on the Drawer Face if
the face needs alignment .



15 After the Drawer Faces (H) are aligned, secure with wood screws.

