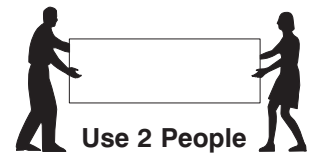
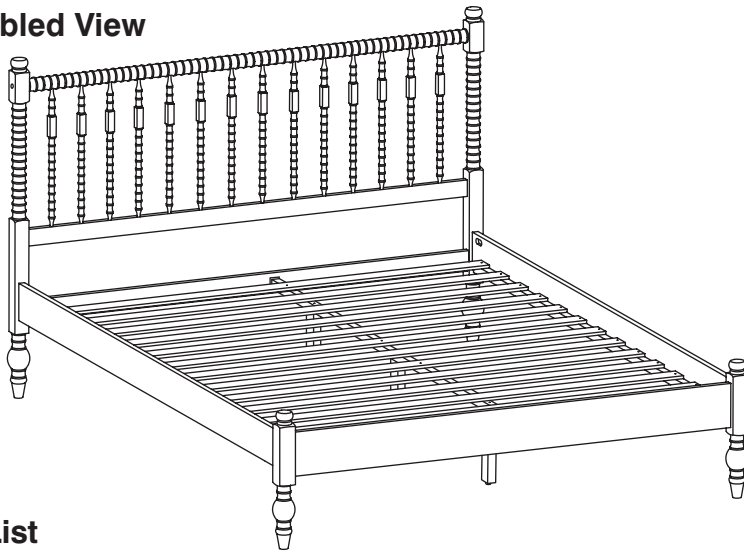


0259 Queen Bed

Assembly Instructions

WI-0825

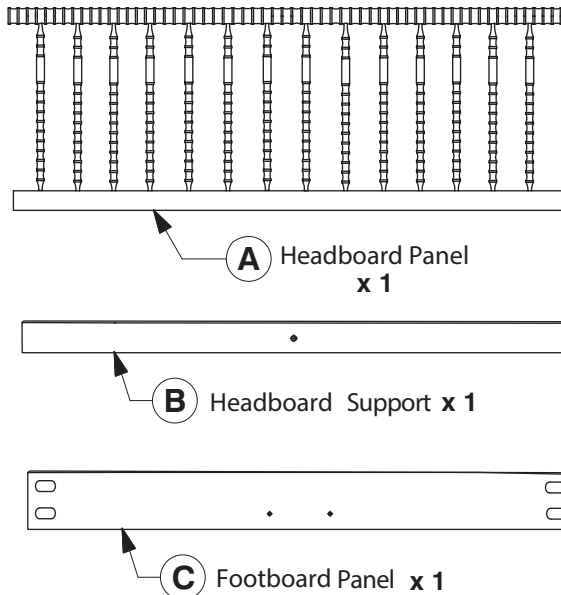
1 Assembled View



Note: Do not assemble using power tools. This can cause the bolts to be overtightened

2 Parts List

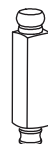
Parts in Box A:



D
Headboard Post (Left)
x 1



E
Headboard Post (Right)
x 1

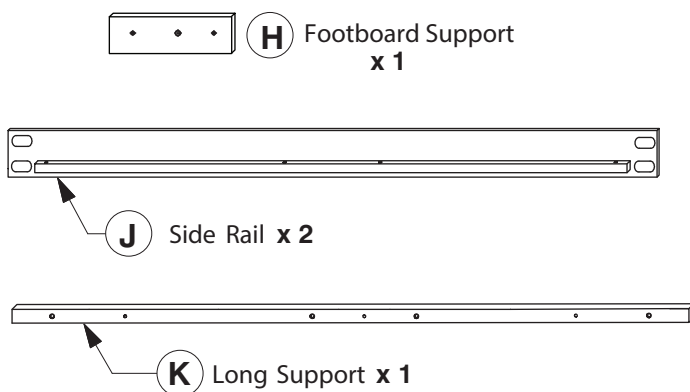


F
Footboard Post (Left)
x 1



G
Footboard Post (Right)
x 1

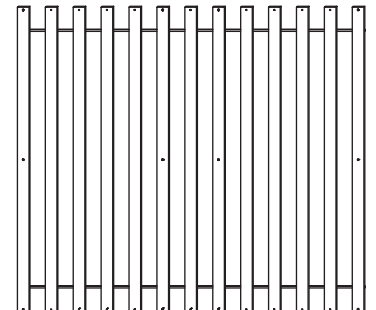
Parts in Box B:



L
Lower Post
x 4



M
Support Leg
x 3



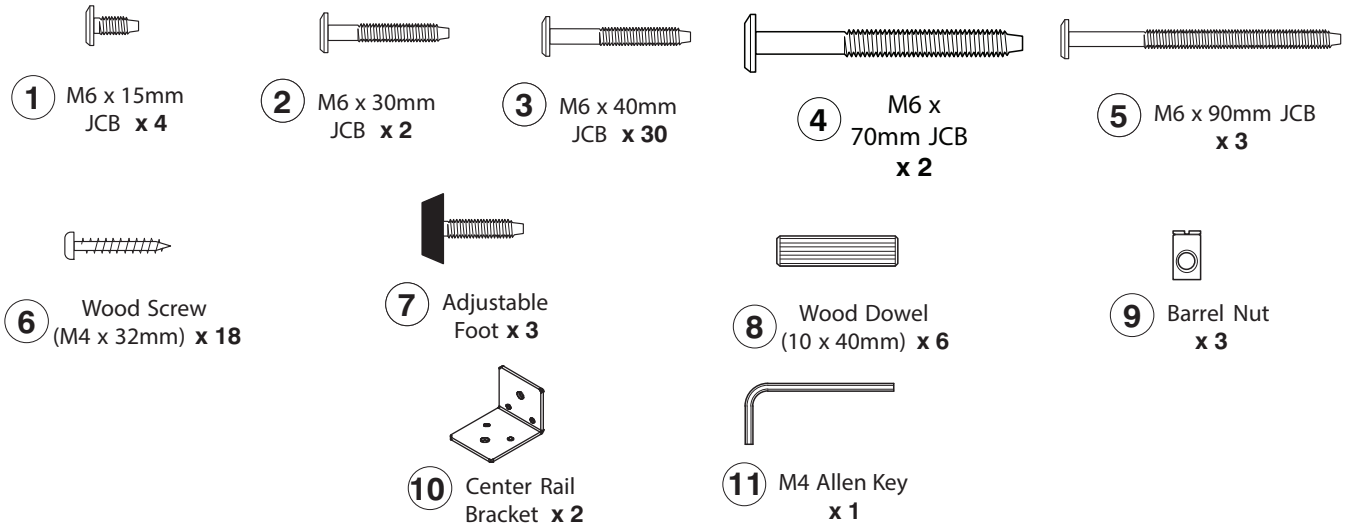
N Set of Bed Slats
x 1

0259 Queen Bed

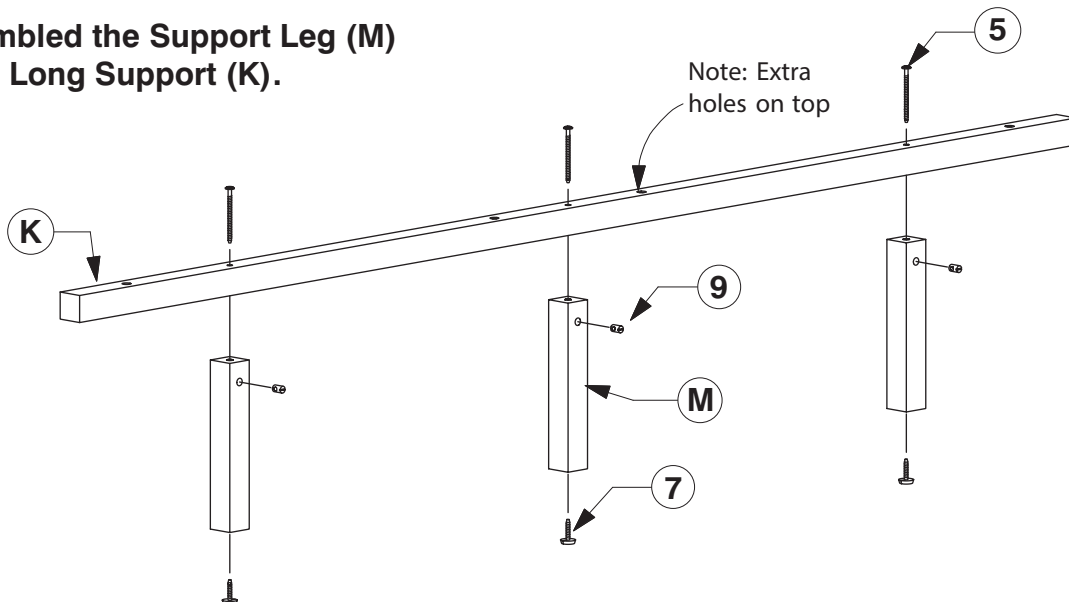
Assembly Instructions

WI-0825

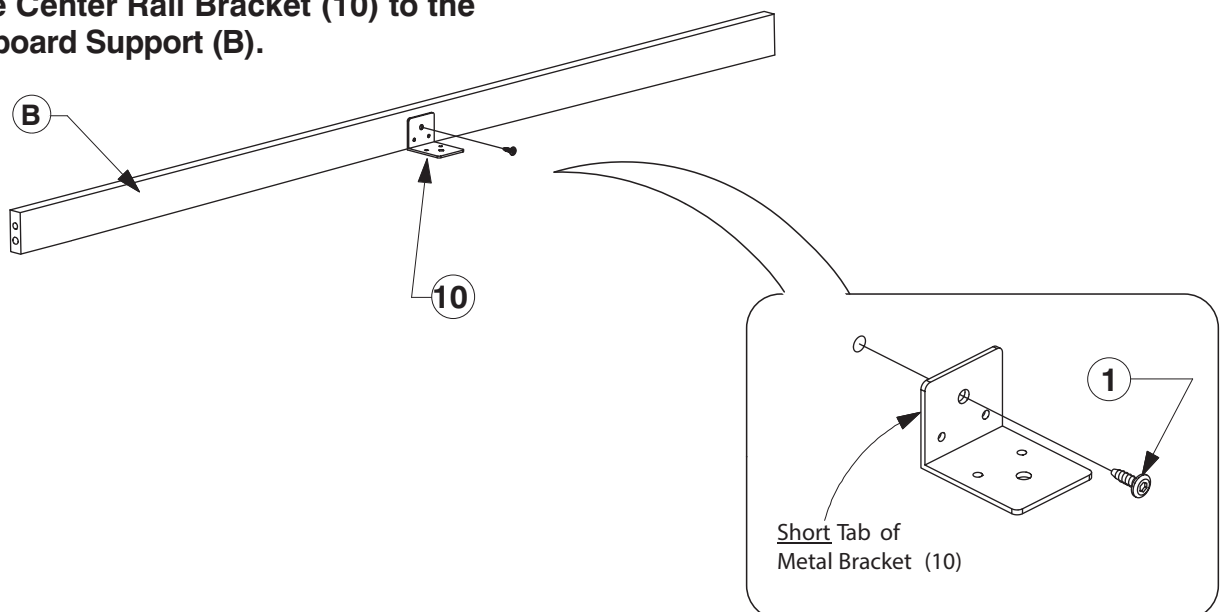
3 Hardware List



4 Assembled the Support Leg (M) to the Long Support (K).



5 Fit the Center Rail Bracket (10) to the Headboard Support (B).

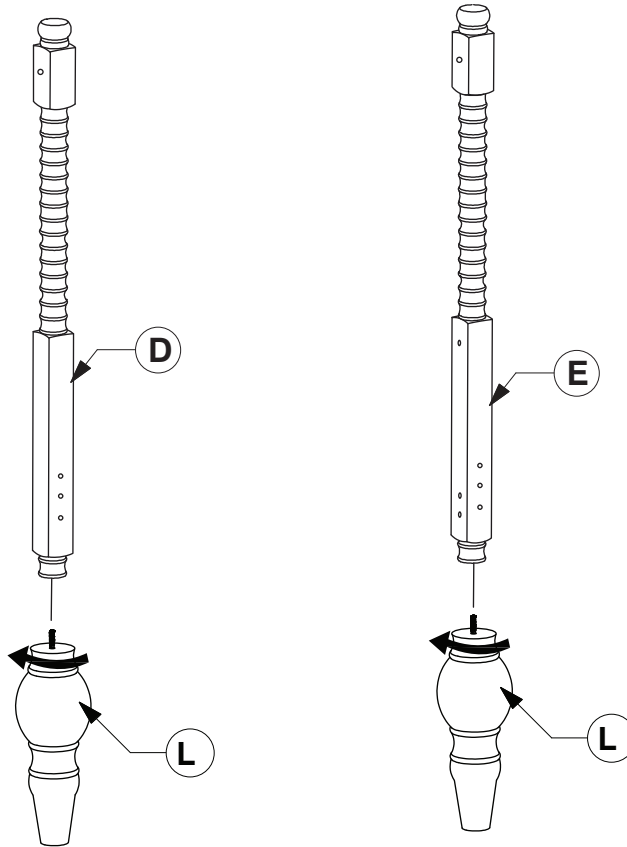


0259 Queen Bed

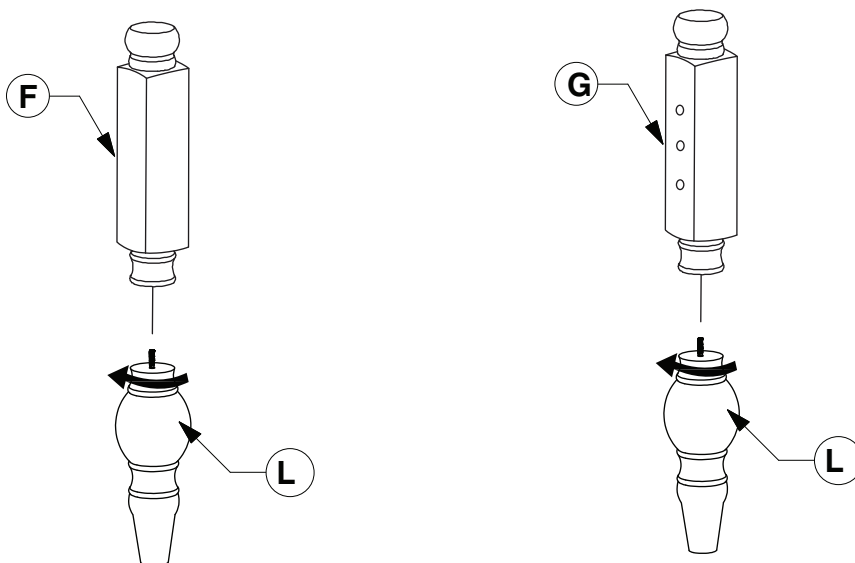
Assembly Instructions

WI-0825

6 Assemble Headboard Post (D & E) to the Lower Post (L).



7 Fix the Footboard Post (F & G) to the Lower Post (L).

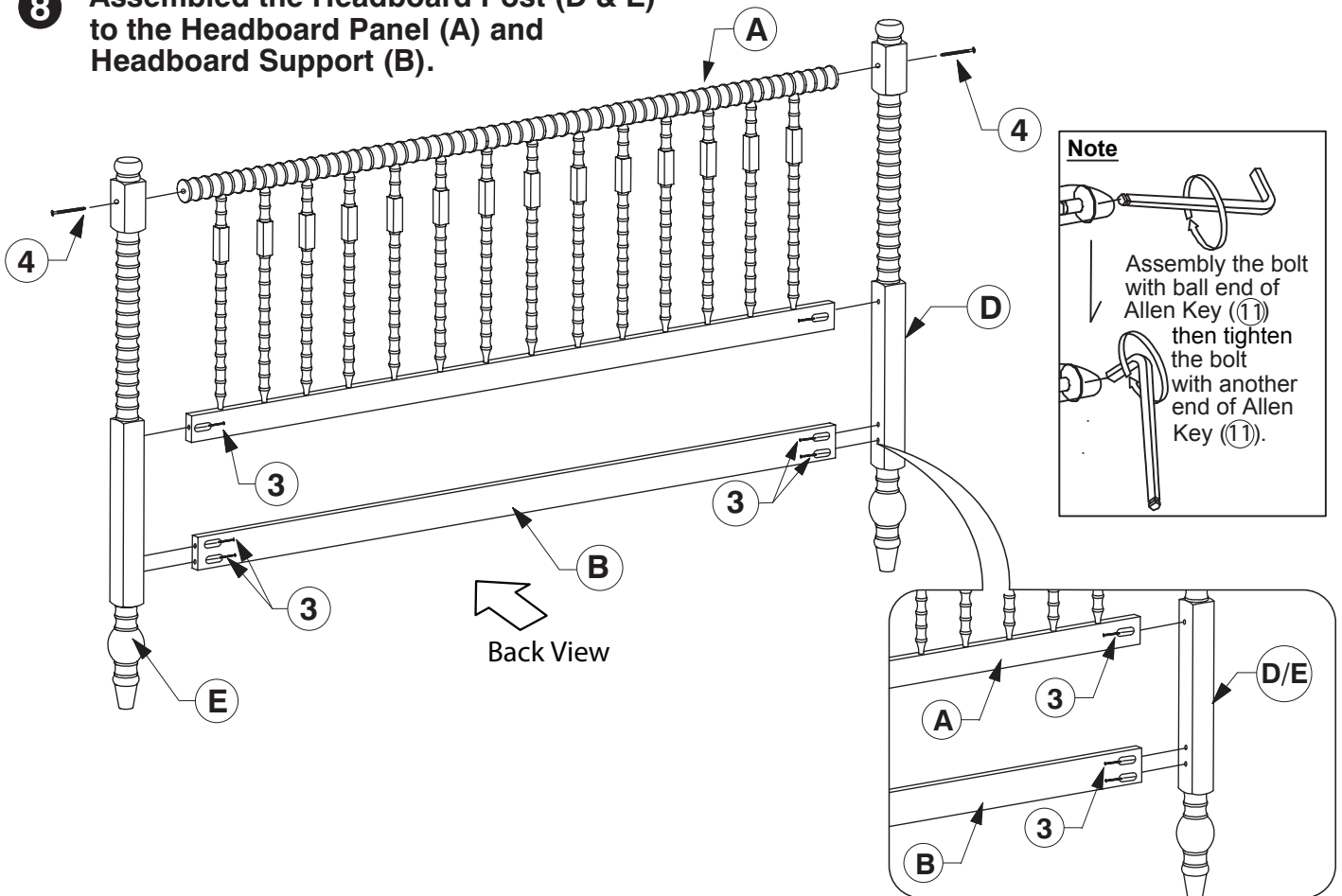


0259 Queen Bed

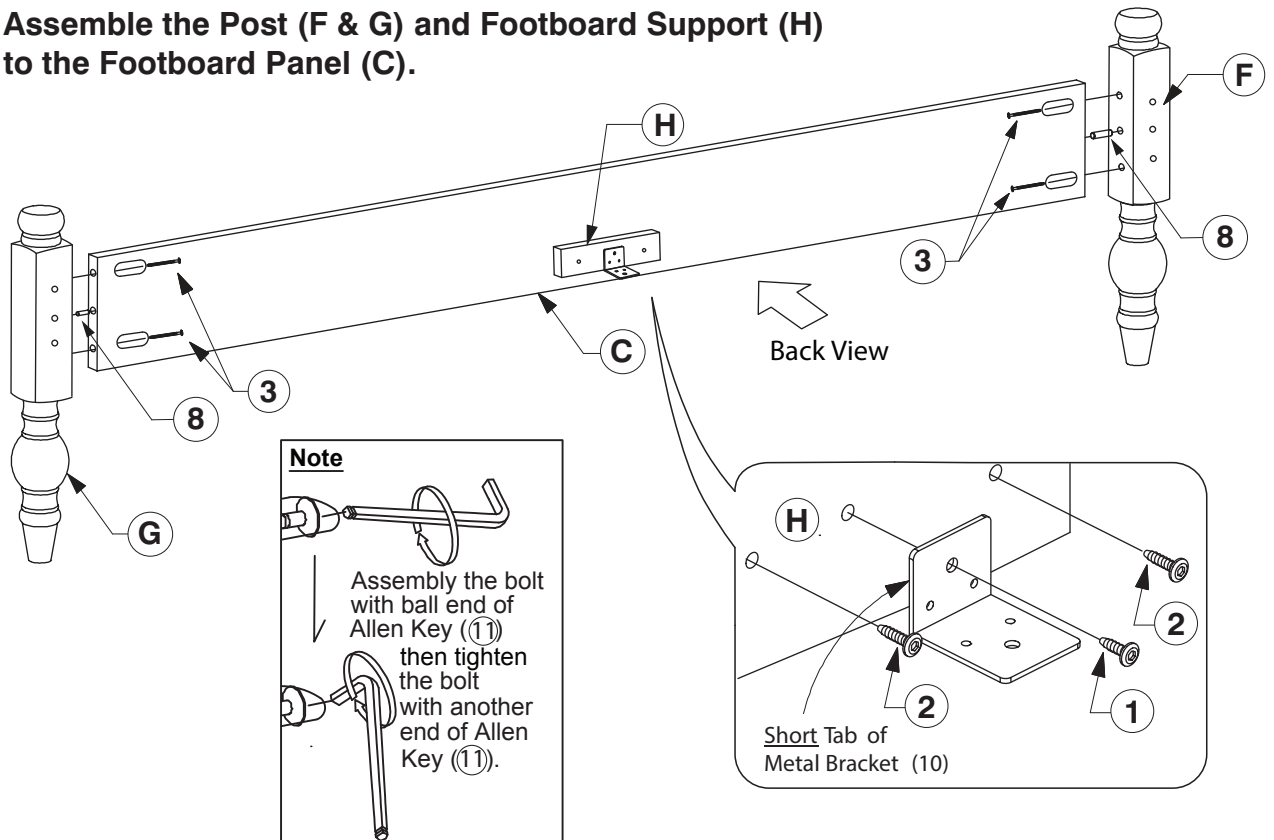
Assembly Instructions

WI-0825

- 8** Assembled the Headboard Post (D & E) to the Headboard Panel (A) and Headboard Support (B).



- 9** Assemble the Post (F & G) and Footboard Support (H) to the Footboard Panel (C).

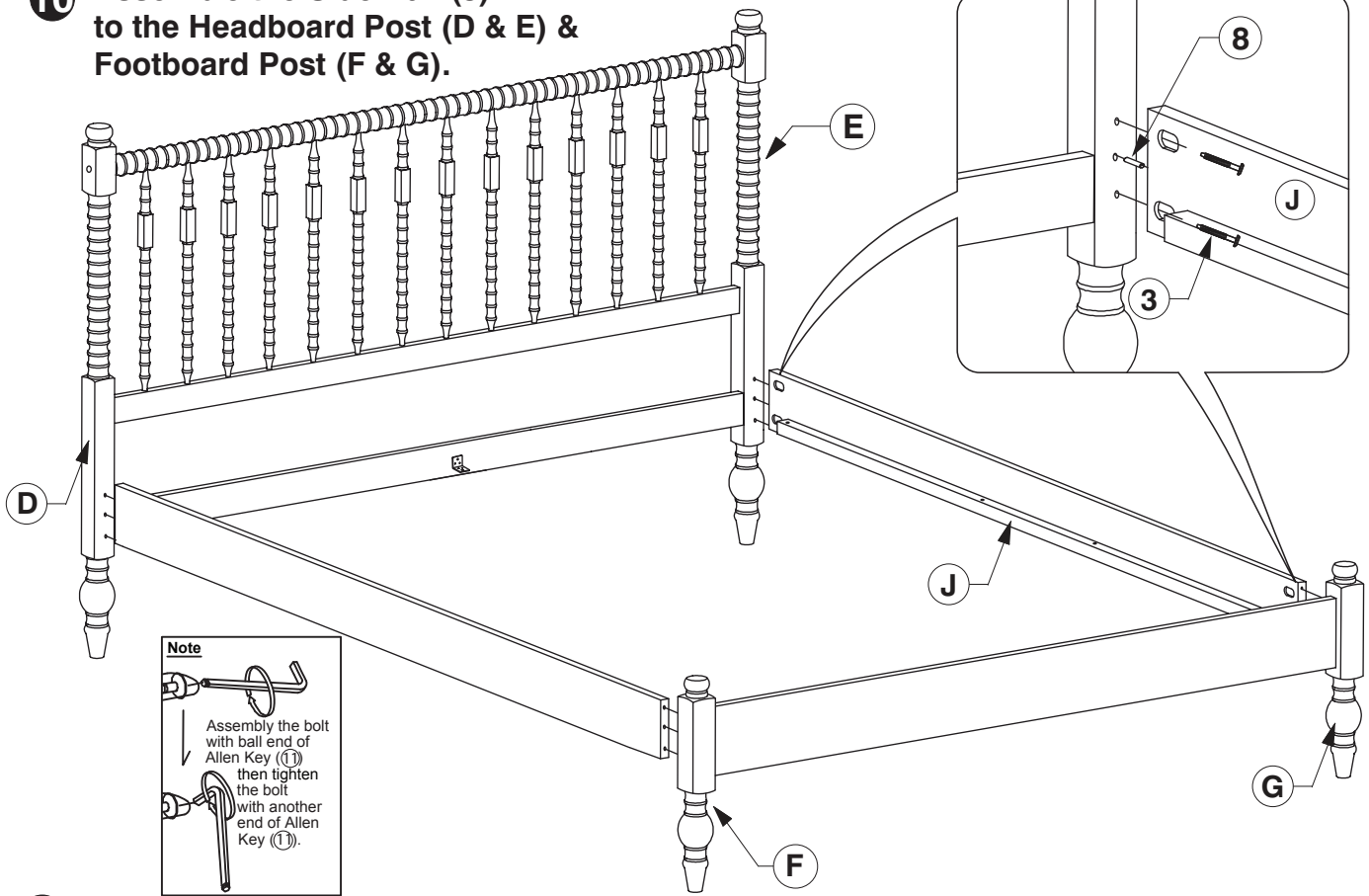


0259 Queen Bed

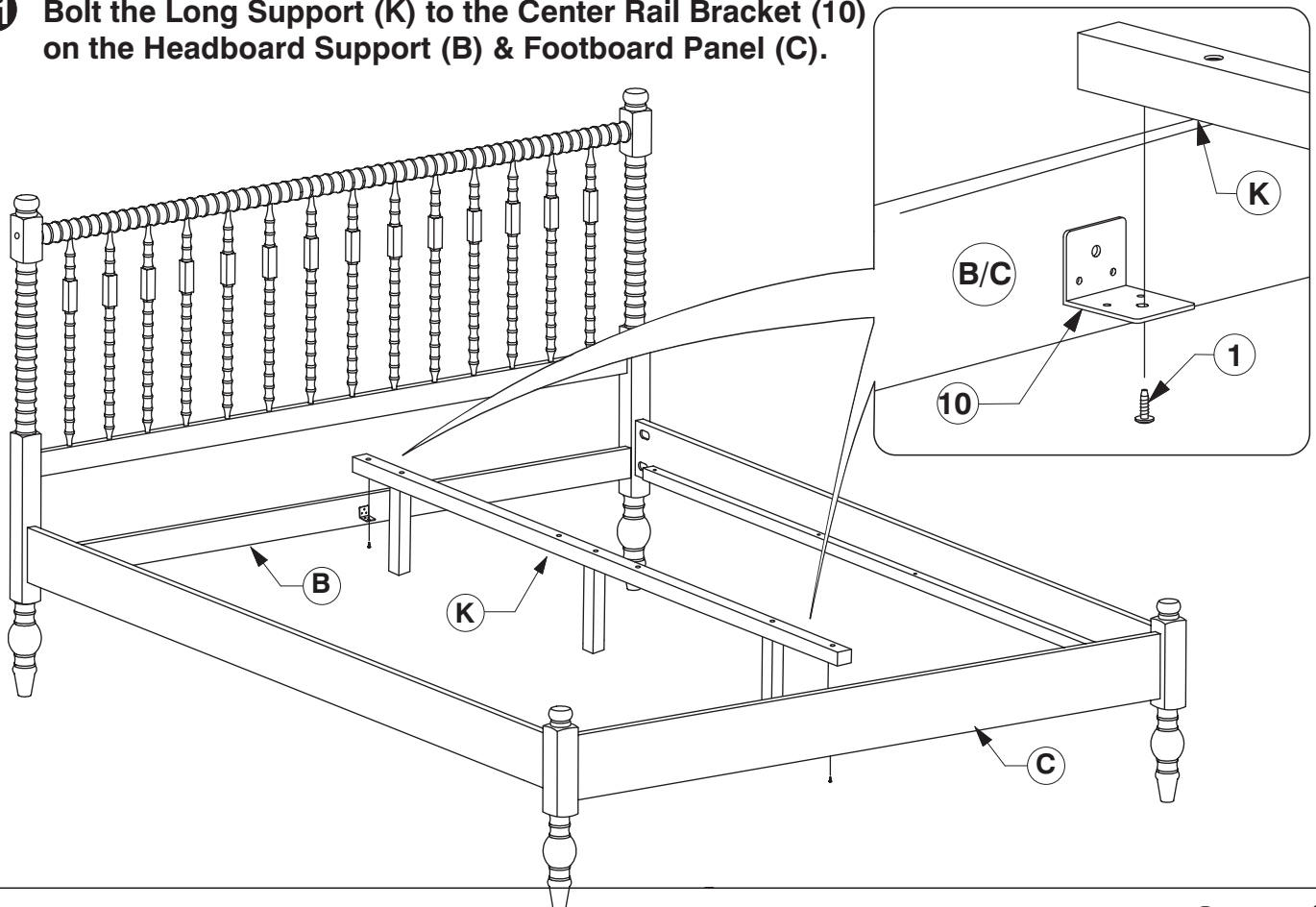
Assembly Instructions

WI-0825

- 10 Assemble the Side Rail (J) to the Headboard Post (D & E) & Footboard Post (F & G).**



- 11 Bolt the Long Support (K) to the Center Rail Bracket (10) on the Headboard Support (B) & Footboard Panel (C).**



0259 Queen Bed

Assembly Instructions

WI-0825

- 12 Bolt & screw the Bed Slats (N) to the Side Rail (J).**

