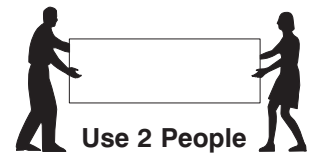
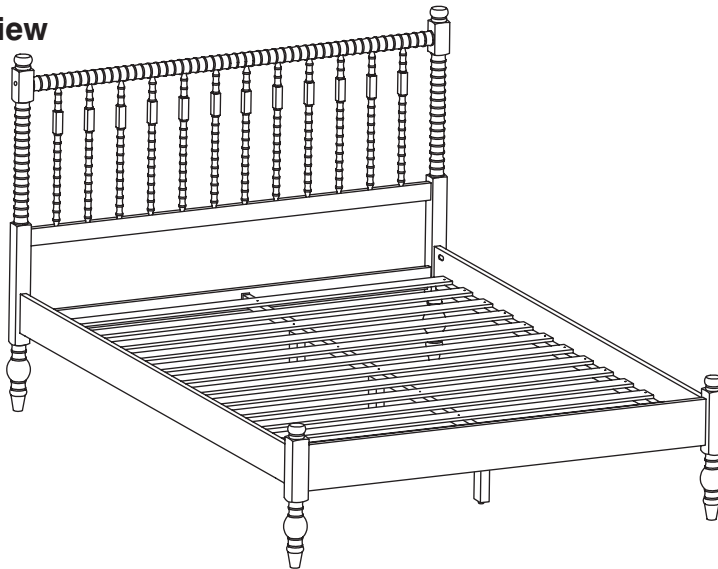


0259 Full Bed

Assembly Instructions

WI-0825

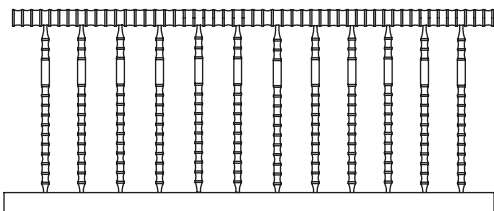
1 Assembled View



Note: Do not assemble using power tools. This can cause the bolts to be overtightened

2 Parts List

Parts in Box A:



A Headboard Panel
x 1



B Headboard Support x 1



C Footboard Panel x 1



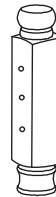
D
Headboard Post (Left)
x 1



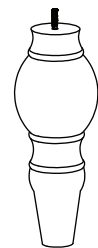
E
Headboard Post (Right)
x 1



F
Footboard Post (Left)
x 1



G
Footboard Post (Right)
x 1



H
Lower Post
x 4

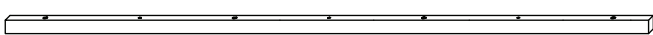
Parts in Box B:



J Footboard Support
x 1



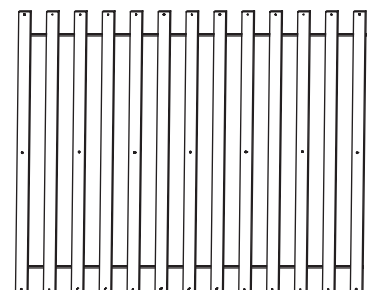
K Side Rail x 2



L Long Support x 1



M
Support Leg
x 3



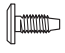
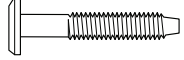

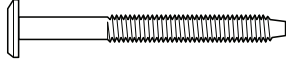


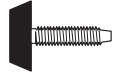




N Set of Bed Slats
x 1

0259 Full Bed

Assembly Instructions

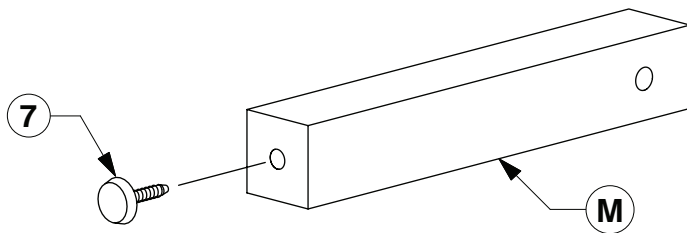
WI-0825

3 Hardware List

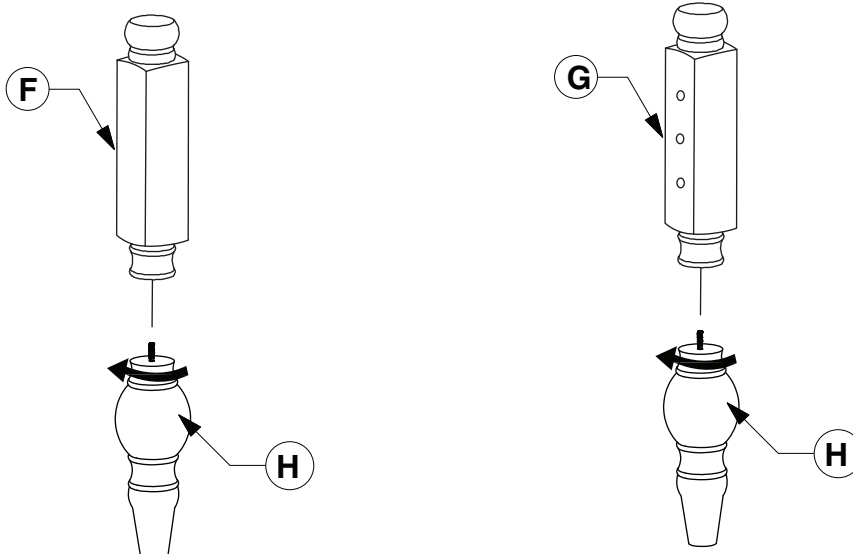
- | | | | | | |
|--|---|---|--|---|--|
| 
1 M6 x 15mm
JCB x 4 | 
2 M6 x
30mm JCB
x 2 | 
3 M6 x 40mm
JCB x 36 | 
4 M6 x
70mm JCB
x 2 | 
5 M6 x 100mm JCB
x 3 | |
| 
6 Wood Screw
(M4 x 32mm) x 12 | 
7 Adjustable
Foot x 3 | 
8 Wood Dowel
(10 x 40mm) x 6 | 
9 Barrel Nut
x 3 | 
10 Center Rail
Bracket x 2 | 
11 M4 Allen Key
x 1 |

4 Fix the Adjustable foot to the bottom of the Support Leg (M).

x3



5 Fix the Footboard Post (F & G) to the Lower Post (H).

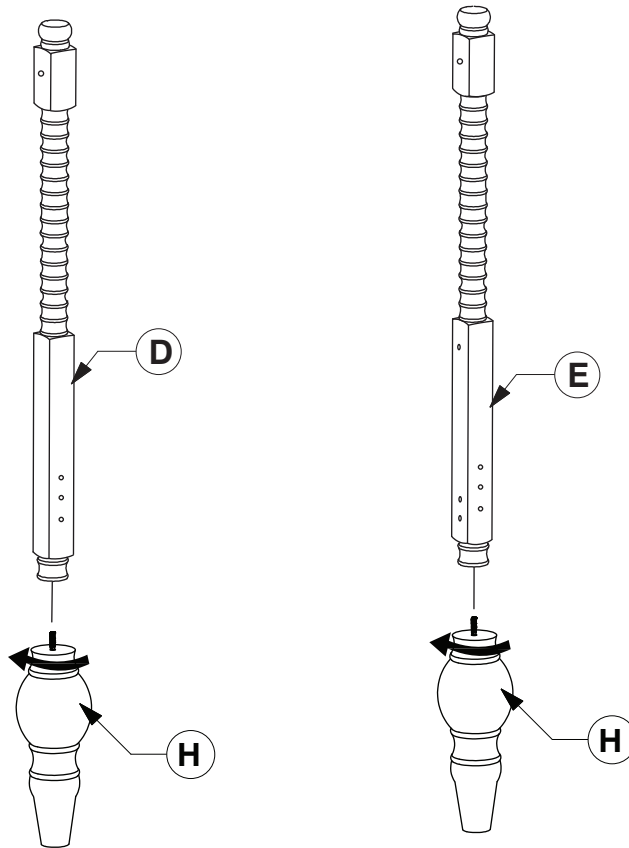


0259 Full Bed

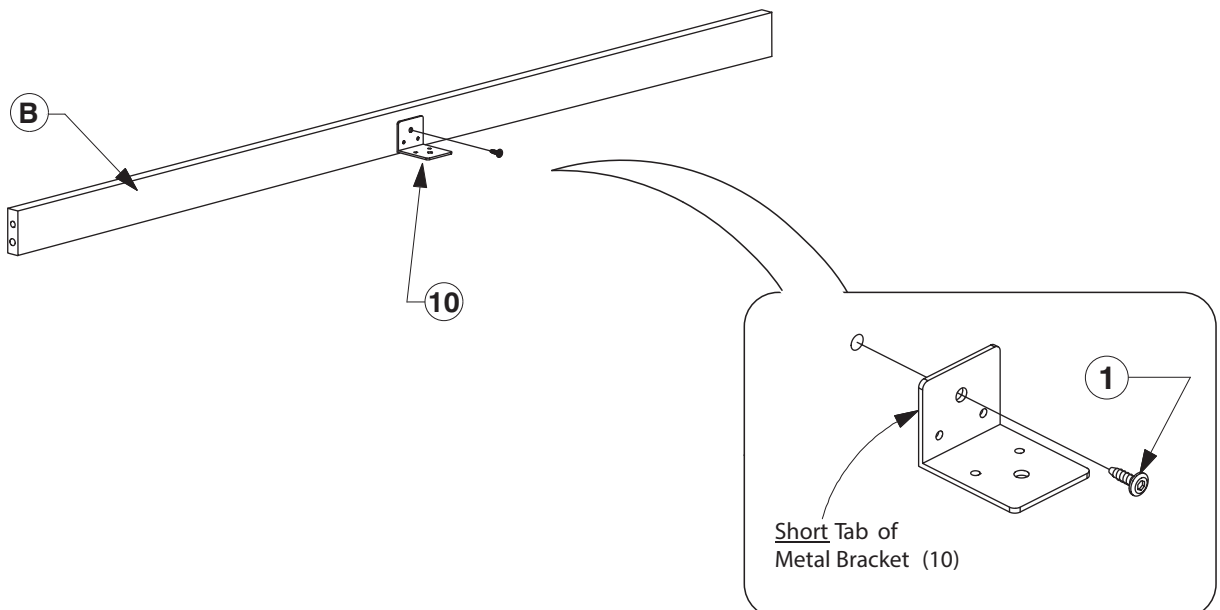
Assembly Instructions

WI-0825

6 Assemble Headboard Post (D & E) to the Lower Post (G).



7 Fit the Center Rail Bracket (10) to the Headboard Support (B).

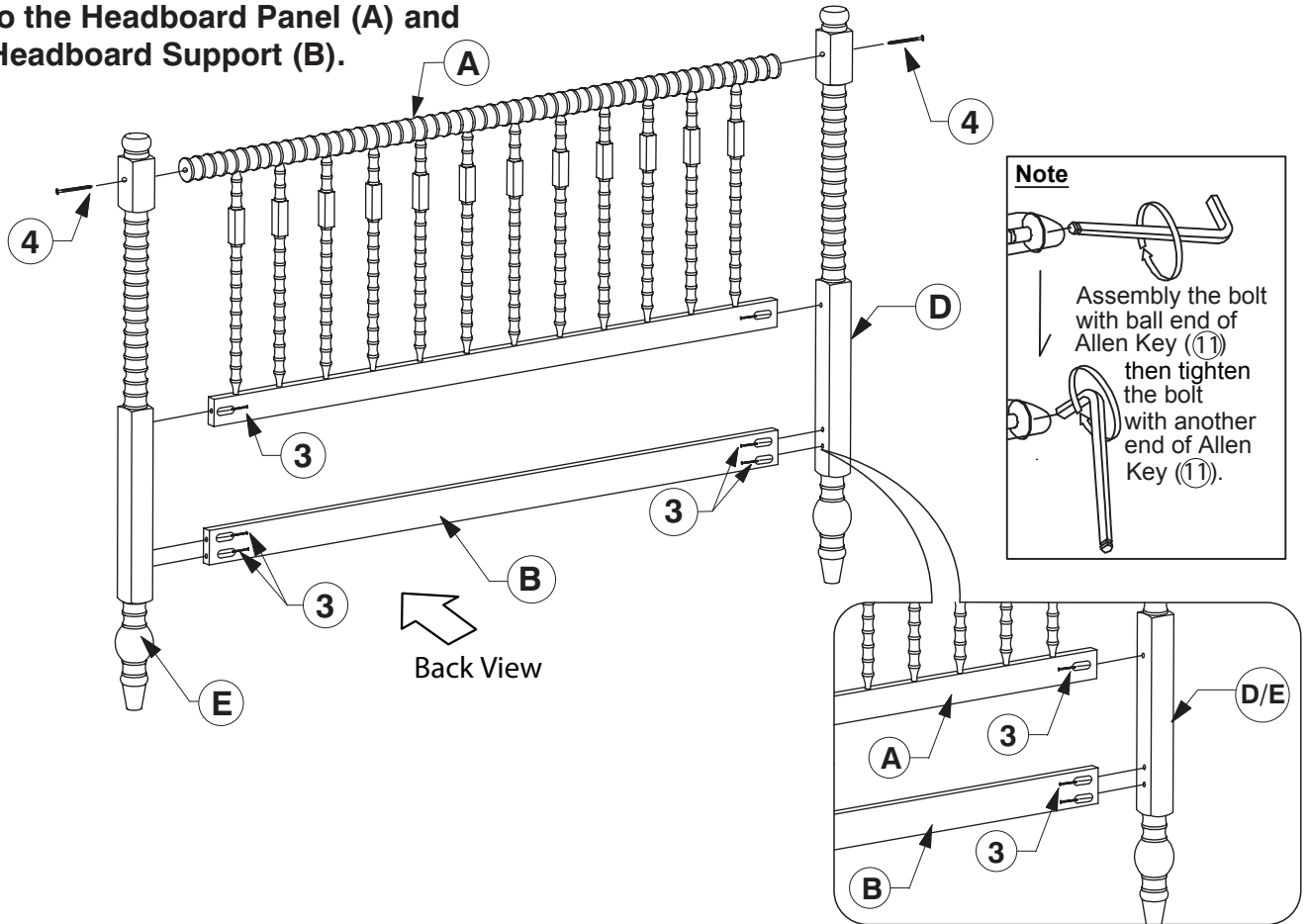


0259 Full Bed

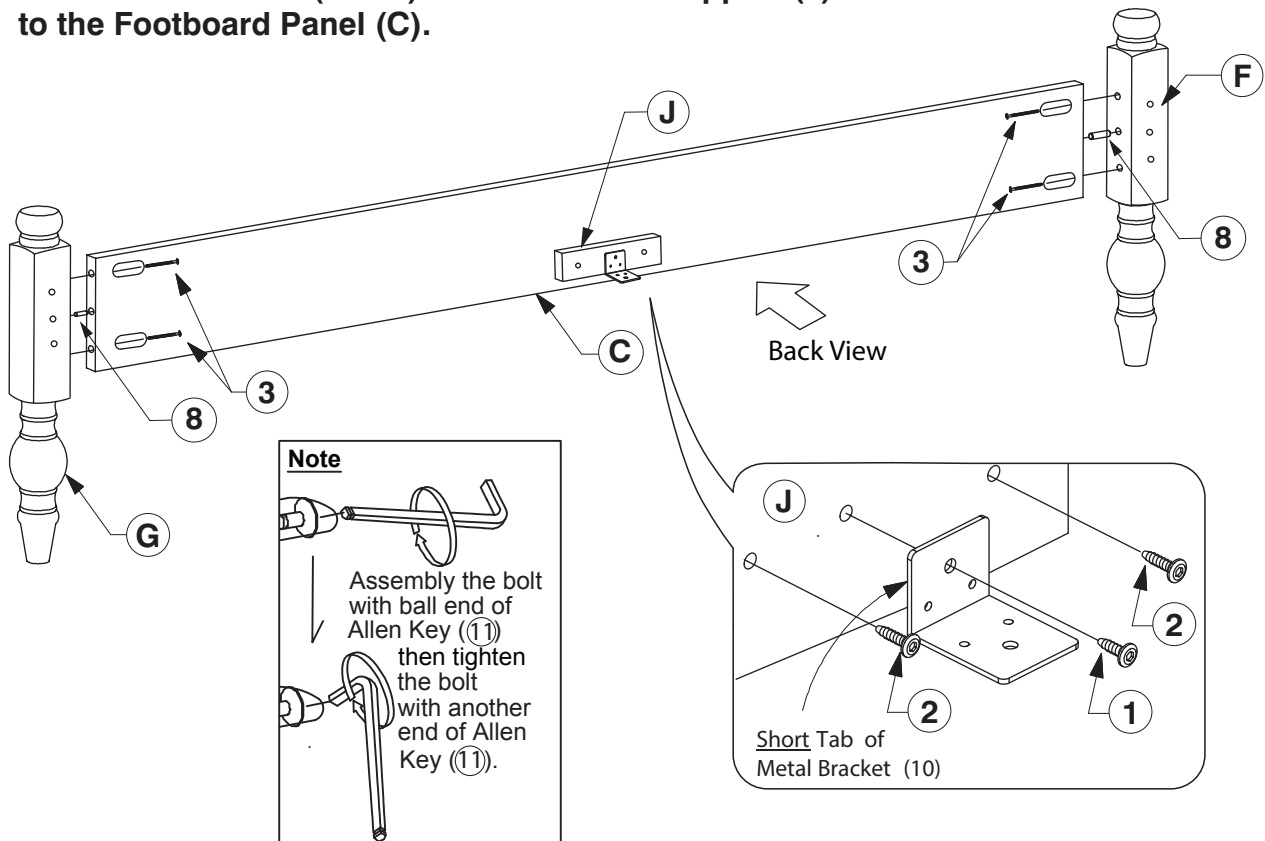
Assembly Instructions

WI-0825

- 8** Assembled the Headboard Post (D & E) to the Headboard Panel (A) and Headboard Support (B).



- 9** Assemble the Post (F & G) and Footboard Support (J) to the Footboard Panel (C).

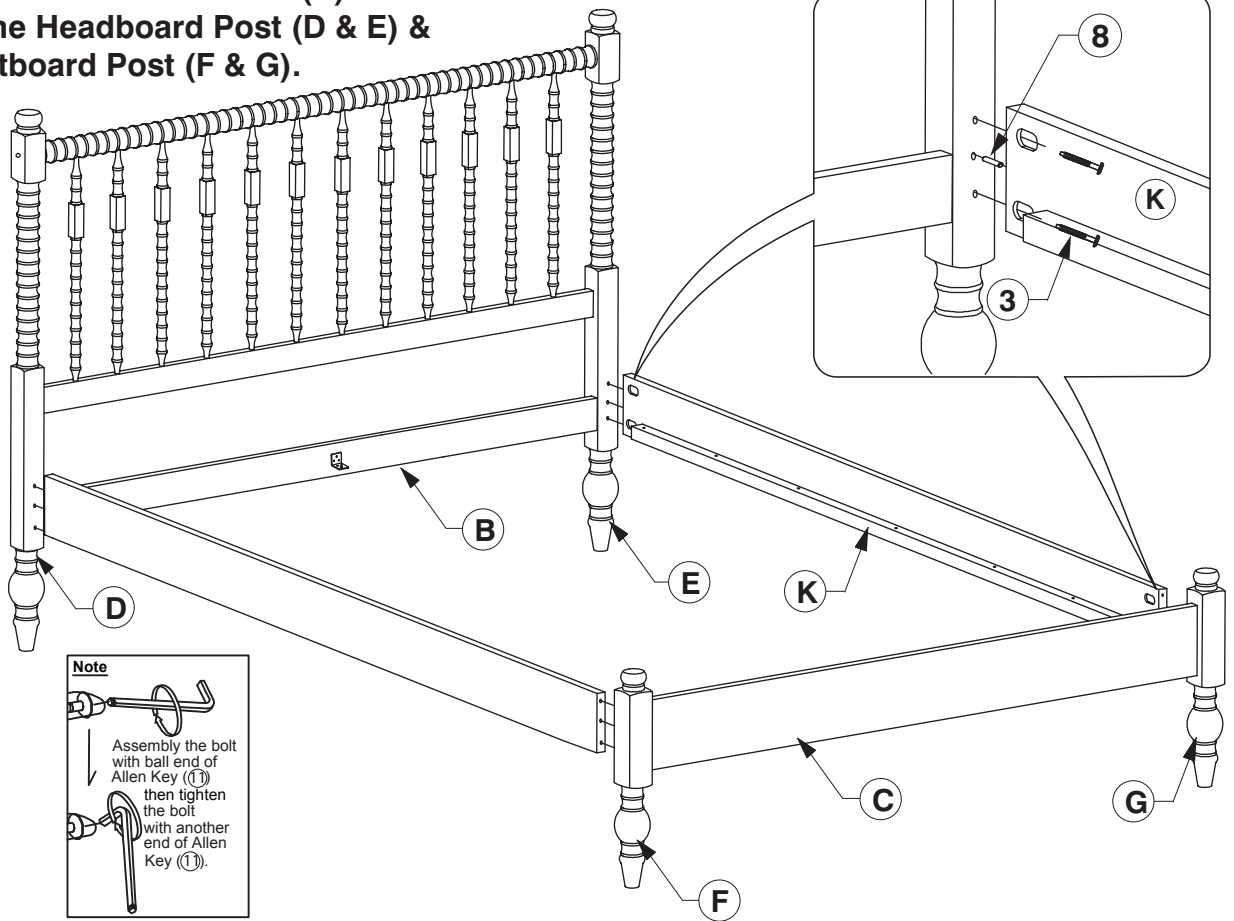


0259 Full Bed

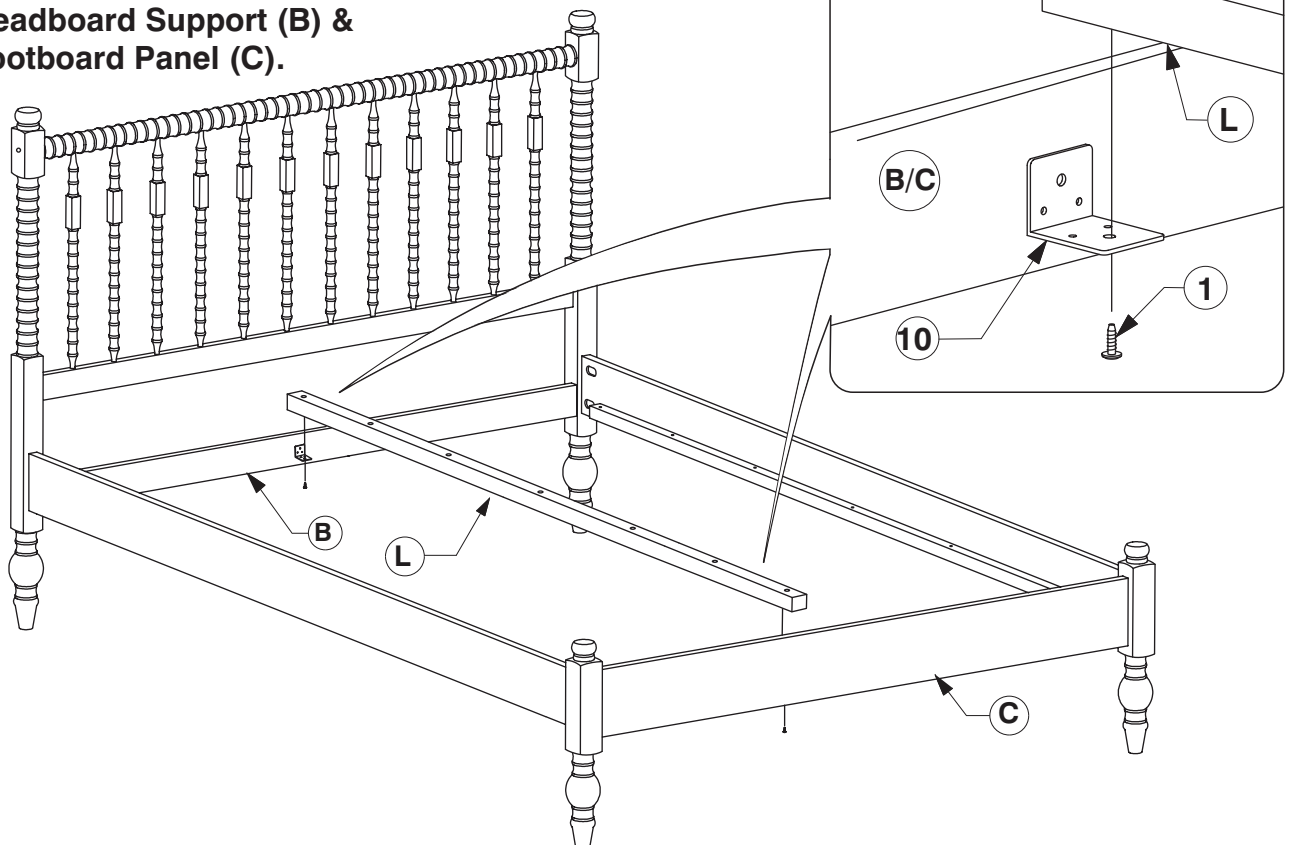
Assembly Instructions

WI-0825

- 10** Assemble the Side Rail (K) to the Headboard Post (D & E) & Footboard Post (F & G).



- 11** Bolt the Long Support (L) to the Center Rail Brackets (10) on the Headboard Support (B) & Footboard Panel (C).

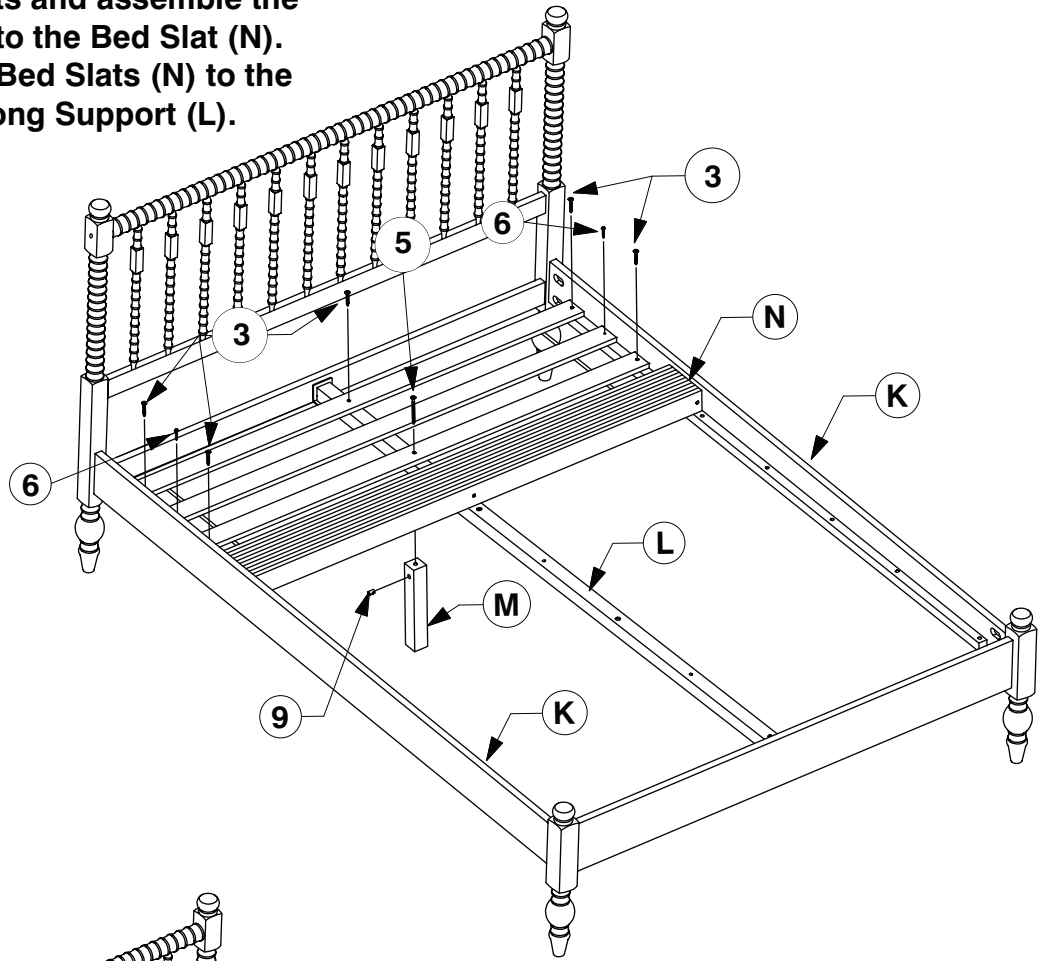


0259 Full Bed

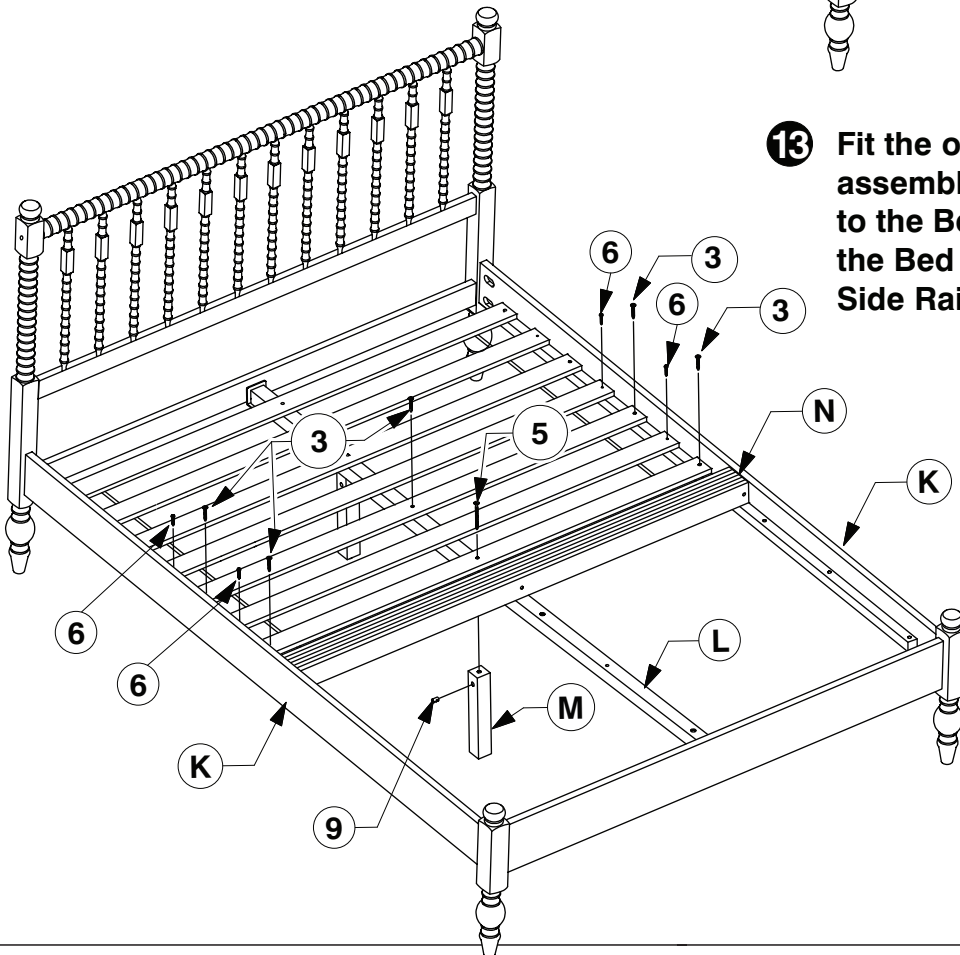
Assembly Instructions

WI-0825

- 12** Fit the First 3 Slats and assemble the Support Leg (M) to the Bed Slat (N). Bolt & screw the Bed Slats (N) to the Side Rail (K) & Long Support (L).



- 13** Fit the other Slats out and assemble the Support Leg (M) to the Bed Slat (N). Bolt & screw the Bed Slats (N) to the Side Rail (K) & Long Support (L).

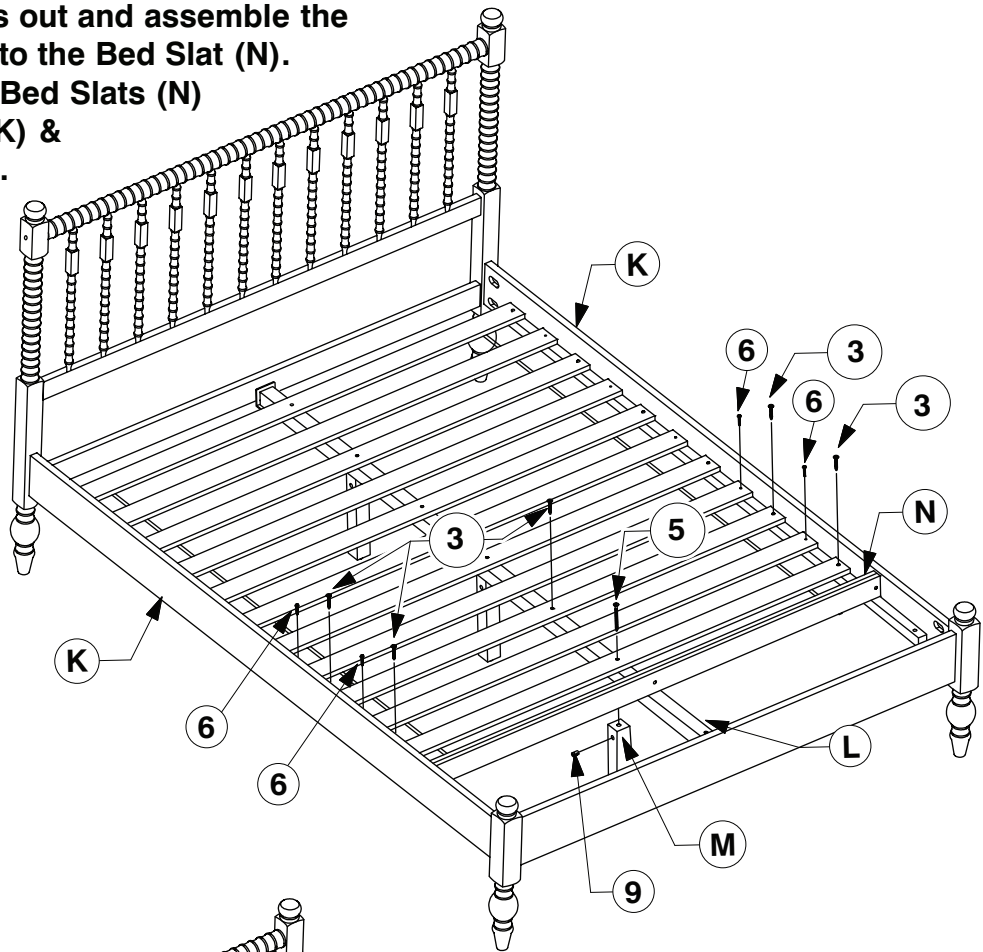


0259 Full Bed

Assembly Instructions

WI-0824

- 14** Fit the other Slats out and assemble the Support Leg (M) to the Bed Slat (N). Bolt & screw the Bed Slats (N) to the Side Rail (K) & Long Support (L).



- 15** Bolt & screw the remaining Bed Slats (N) to the Side Rail (K) & Long Support (L).

