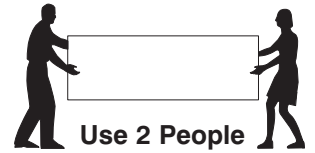
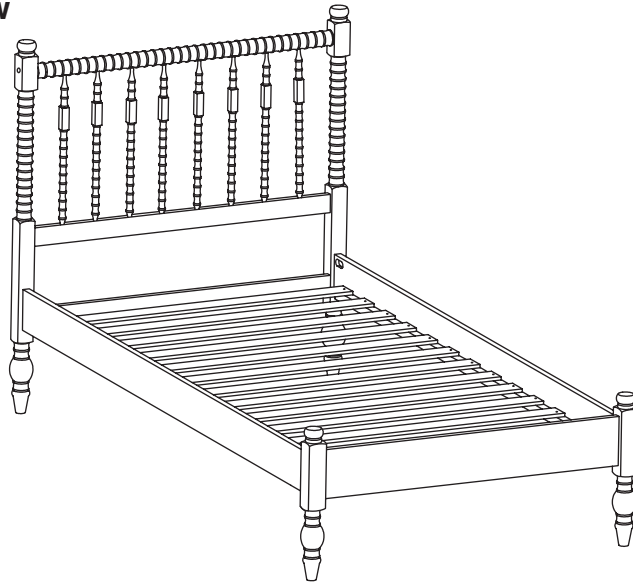


# 0259 Twin Bed

## Assembly Instructions

WI-0825

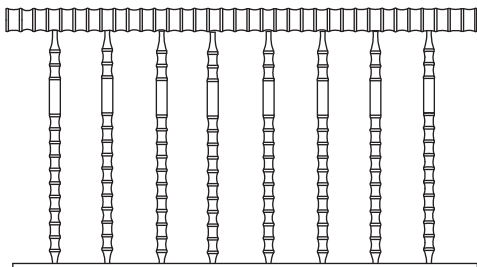
### 1 Assembled View



**Note:** Do not assemble using power tools. This can cause the bolts to be overtightened

### 2 Parts List

#### Parts in Box A:



**A** Headboard Panel  
x 1



**B** Footboard Panel x 1



**C** Headboard Support x 1



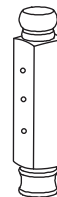
**E**  
Headboard Post (Left)  
x 1



**F**  
Headboard Post (Right)  
x 1



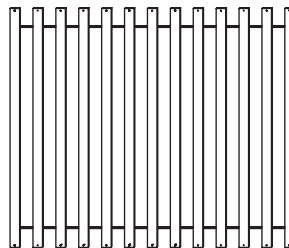
**G**  
Footboard Post (Left)  
x 1



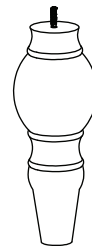
**H**  
Footboard Post (Right)  
x 1



**D** Side Rail x 2



**J** Set of Bed Slats x 1



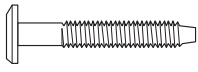
**K**  
Lower Post  
x 4

# 0259 Twin Bed

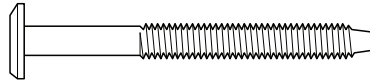
## Assembly Instructions

WI-0825

### 3 Hardware List



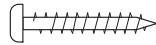
1 M6 x 40mm  
JCB x 32



2 M6 x  
70mm JCB  
x 2



3 Wood Dowel  
(10 x 40mm) x 6

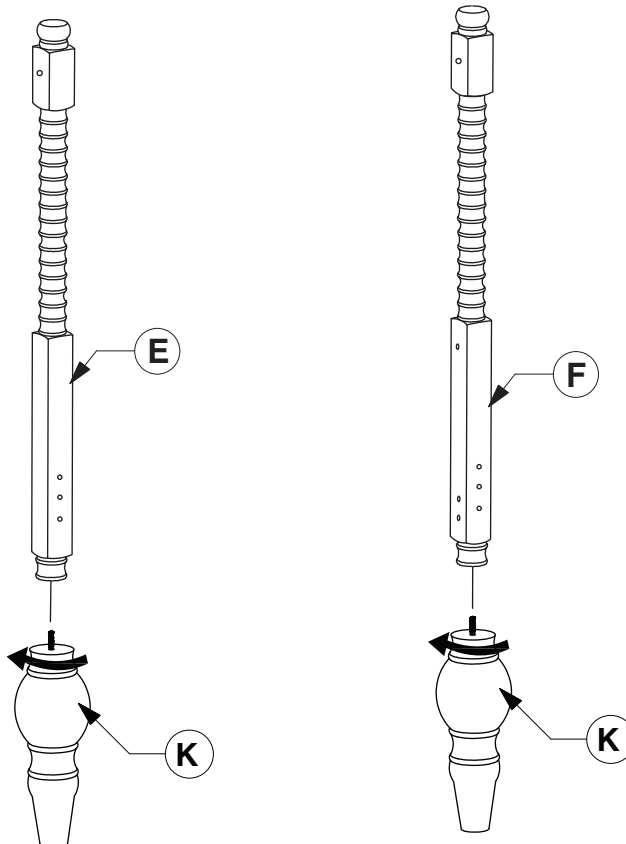


4 Wood Screw  
(M4 x 32mm) x 12



5 M4 Allen Key  
x 1

### 4 Assemble Headboard Post (E & F) to the Lower Post (K).

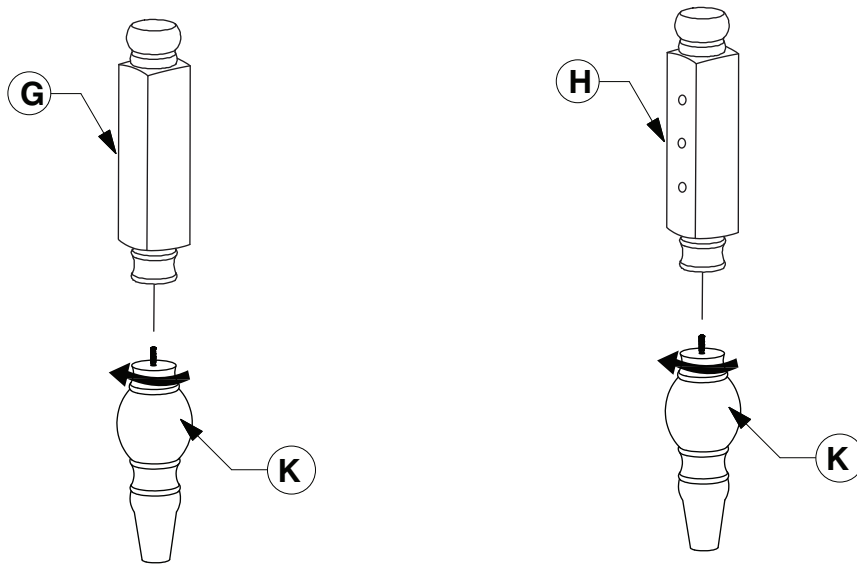


# 0259 Twin Bed

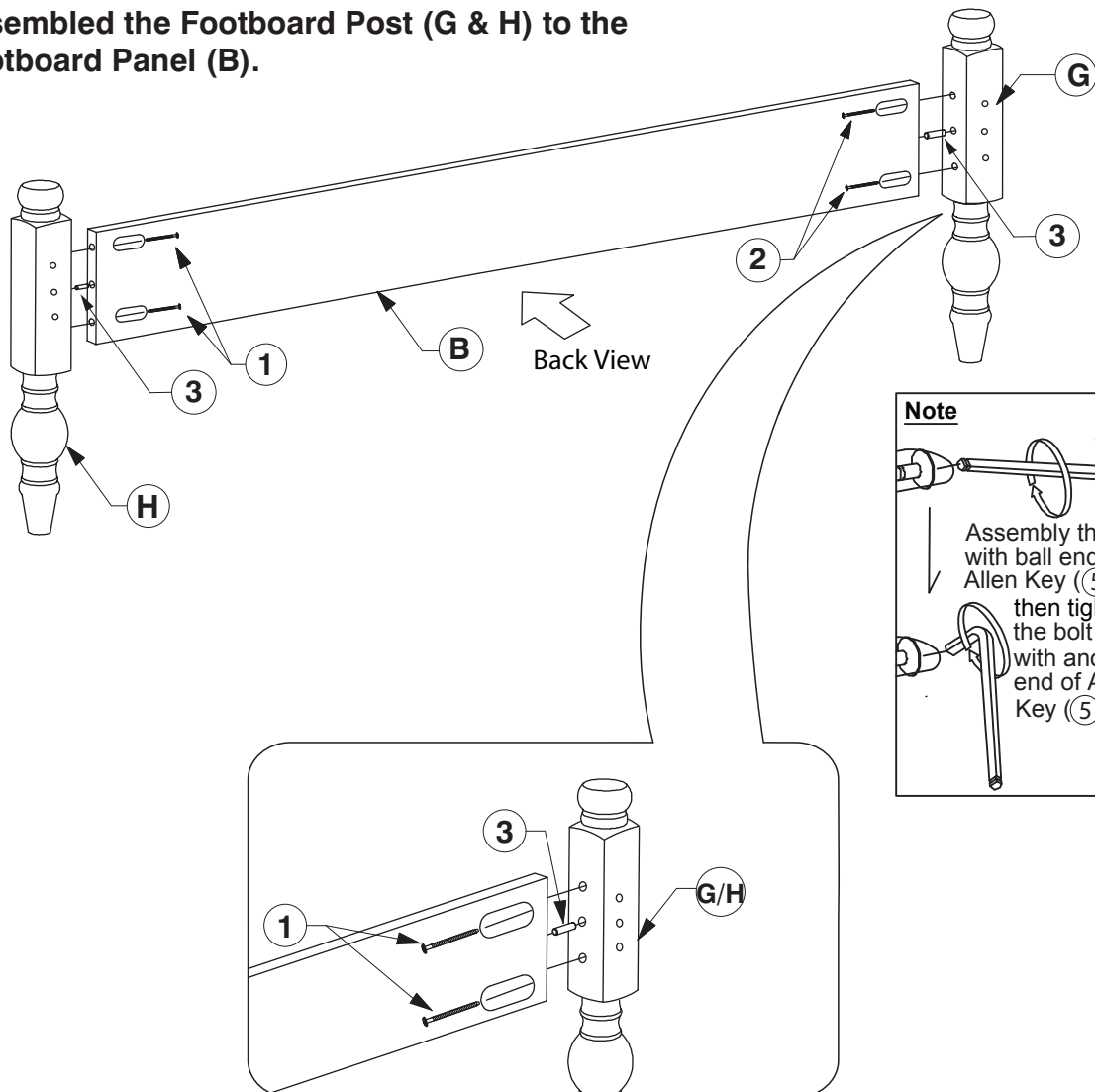
## Assembly Instructions

WI-0825

### 5 Fix the Footboard Post (G & H) to the Lower Post (K).



### 6 Assembled the Footboard Post (G & H) to the Footboard Panel (B).

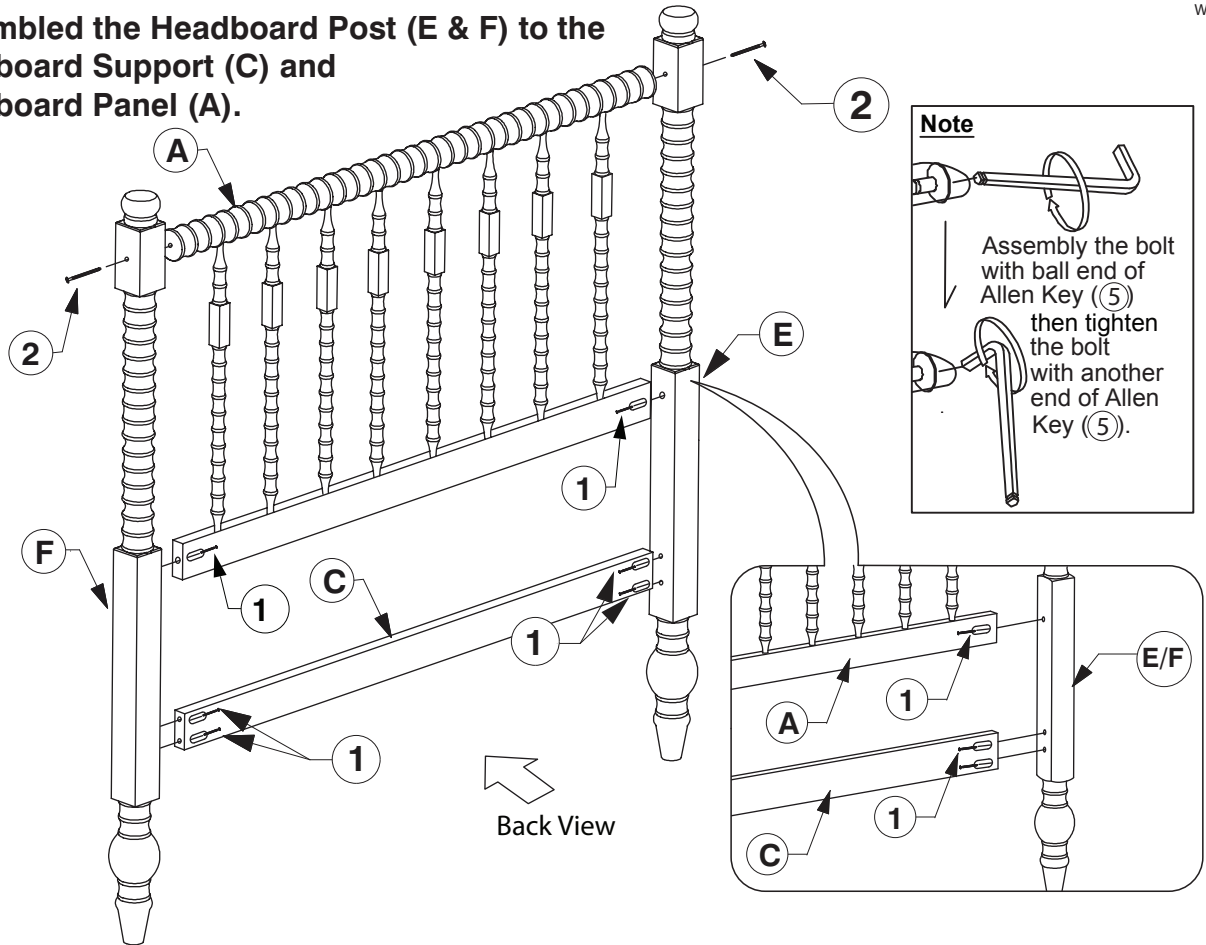


# 0259 Twin Bed

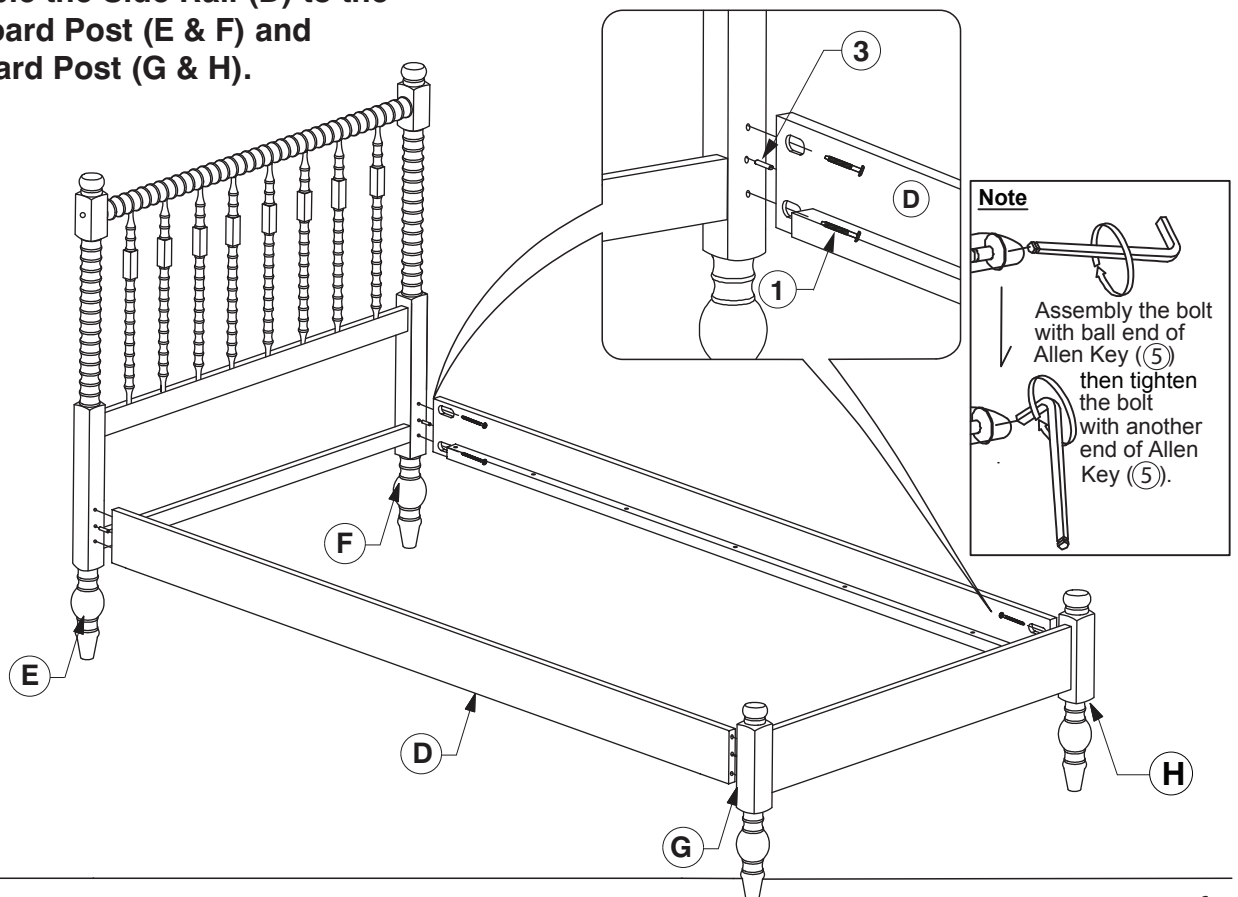
## Assembly Instructions

WI-0825

- 7** Assembled the Headboard Post (E & F) to the Headboard Support (C) and Headboard Panel (A).



- 8** Assemble the Side Rail (D) to the Headboard Post (E & F) and Footboard Post (G & H).

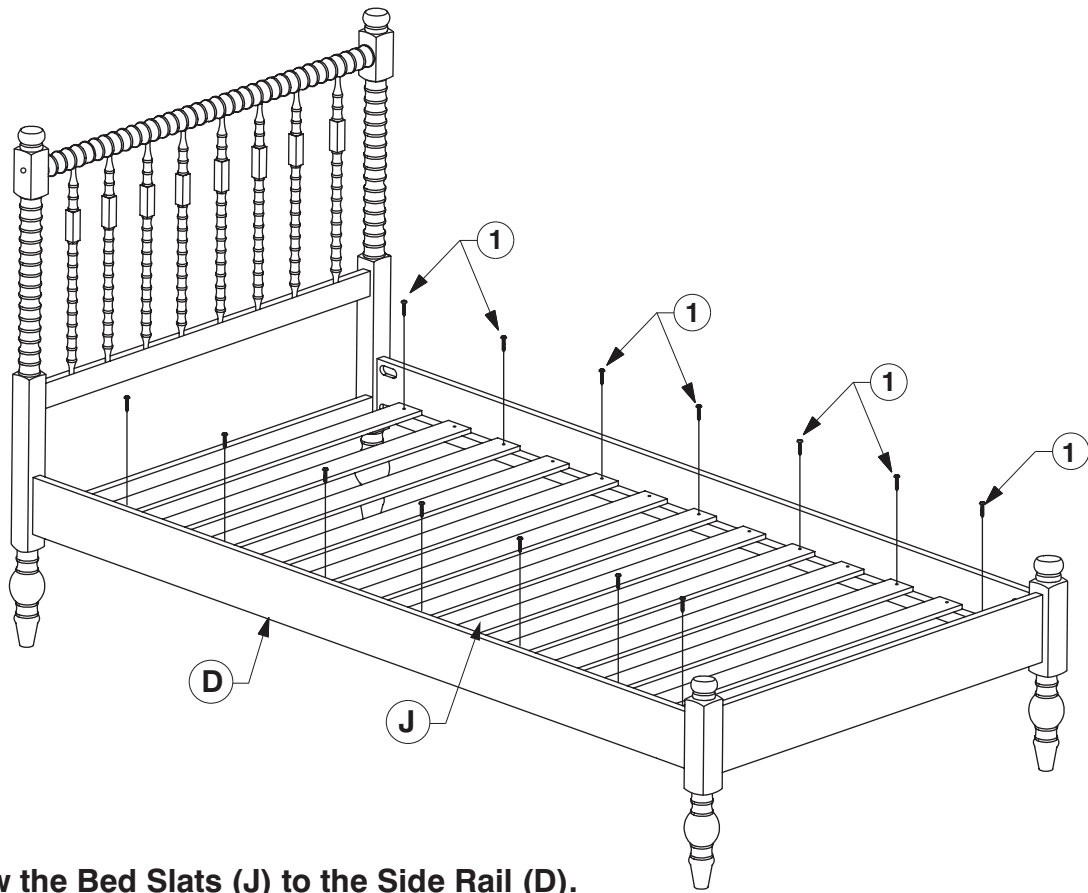


# 0259 Twin Bed

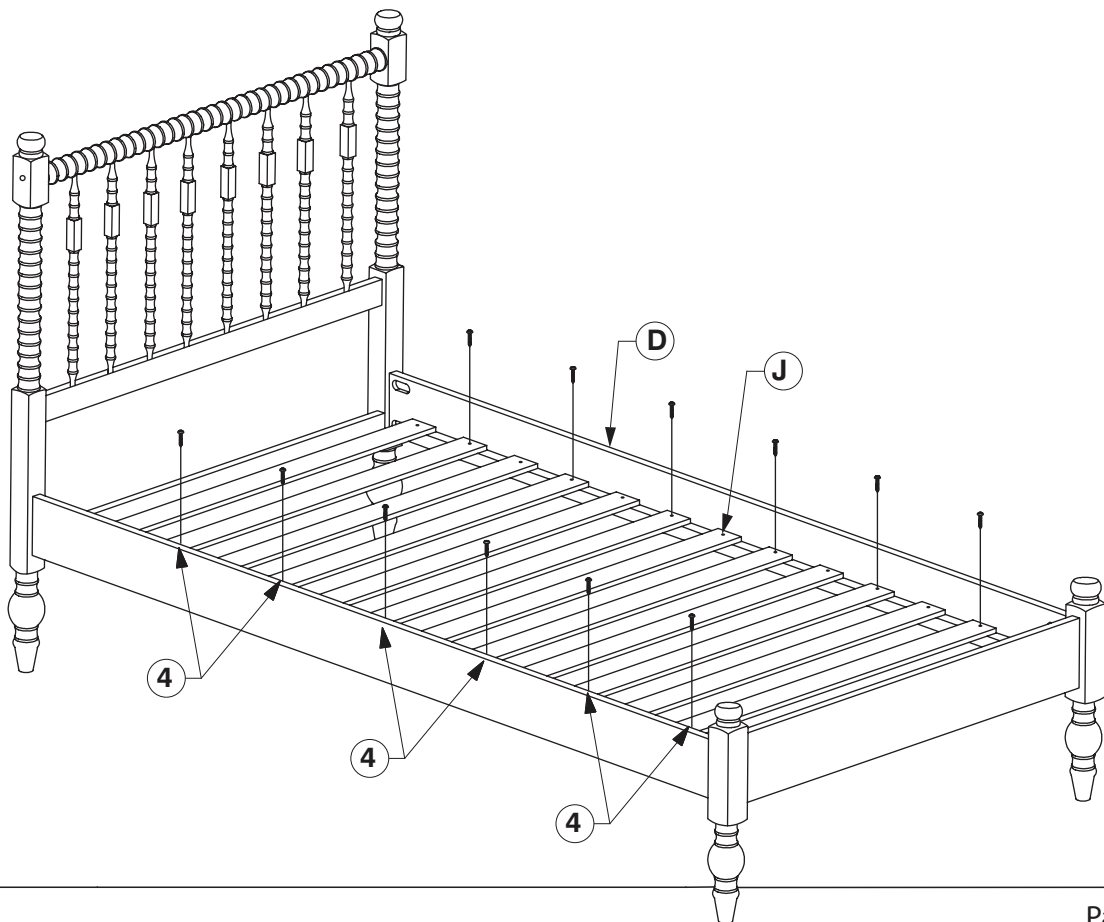
## Assembly Instructions

WI-0825

### 9 Bolt the Bed Slats (J) to the Side Rail (D).



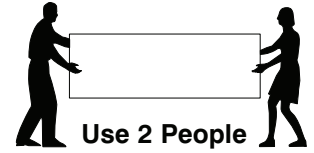
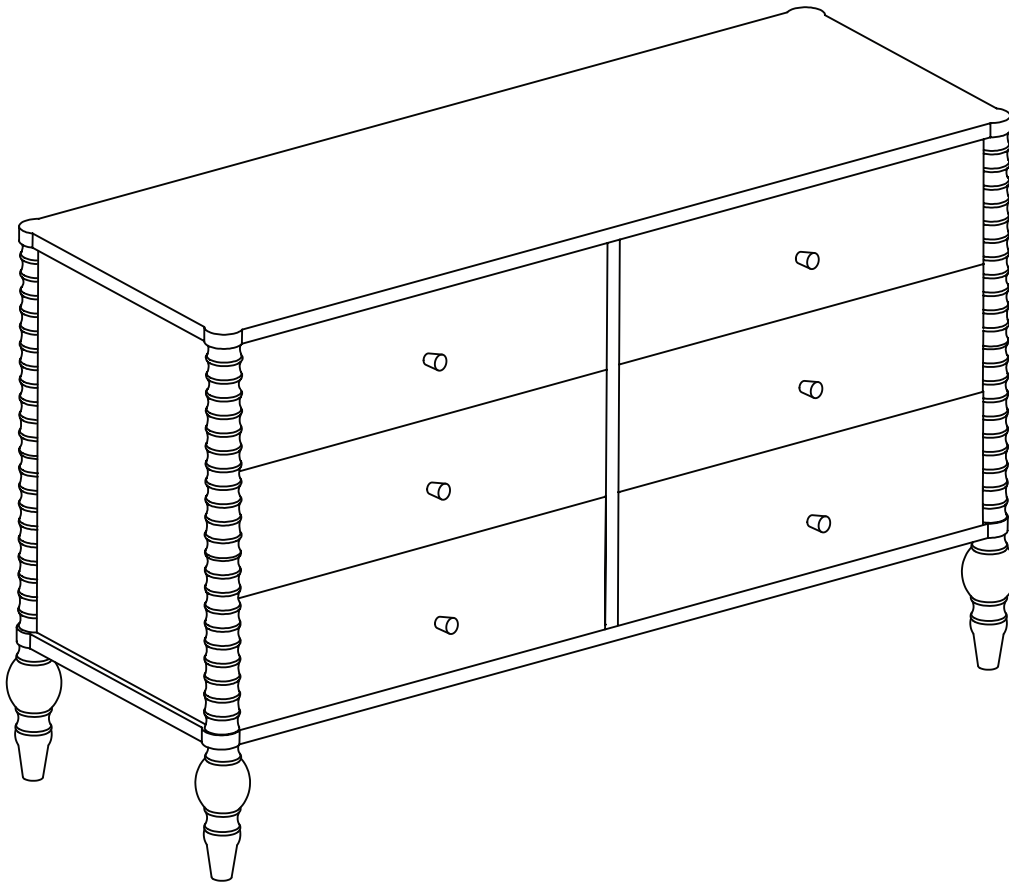
### 10 Screw the Bed Slats (J) to the Side Rail (D).



# 9020 6 Drawer Dresser

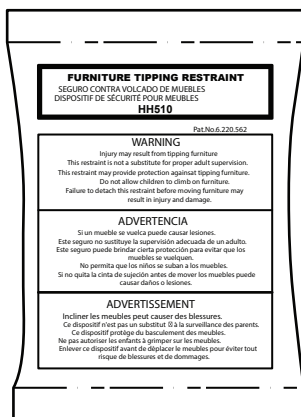
## Assembly Instructions

WI-0825



**Note:** Do not assemble using power tools. This can cause the bolts to be overtightened

### WARNING



Anti Tipping Kit  
Anti Tipping Kit x 1



Children have died from furniture tipover.

To reduce the risk of furniture tipover:

- ALWAYS install anti-tip device provided.
- NEVER put a TV on this product.
- NEVER allow children to stand, climb, or hang on any drawers, doors or shelves.
- NEVER open more than one drawer at a time.
- DO NOT defeat or remove the drawer interlock system; it is an important stability and safety system.
- Place heaviest items in the lowest drawer.

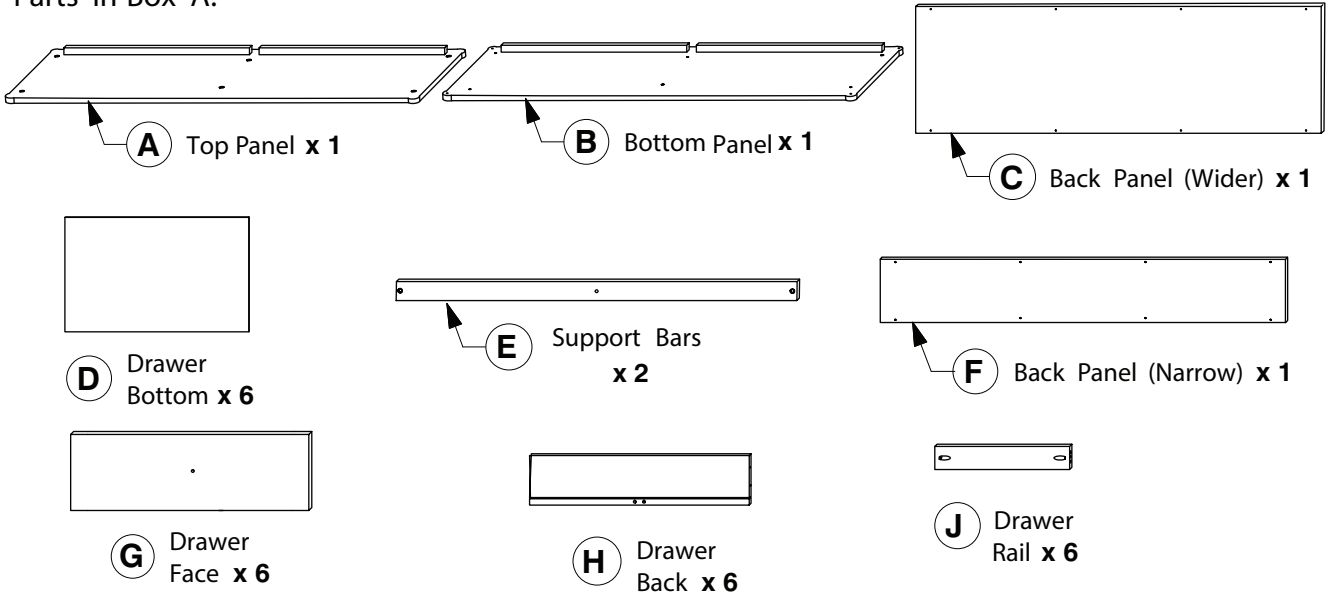
# 9020 6 Drawer Dresser

## Assembly Instructions

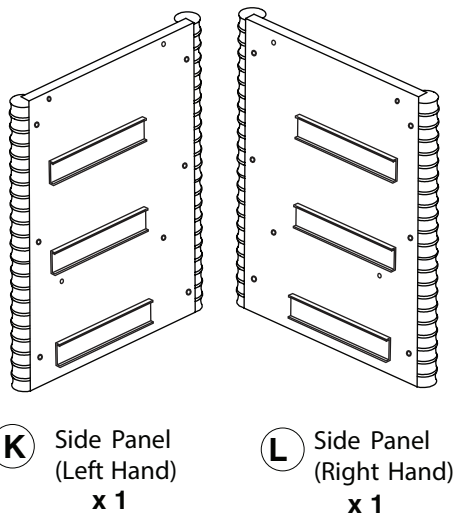
WI-0825

### 1 Parts List

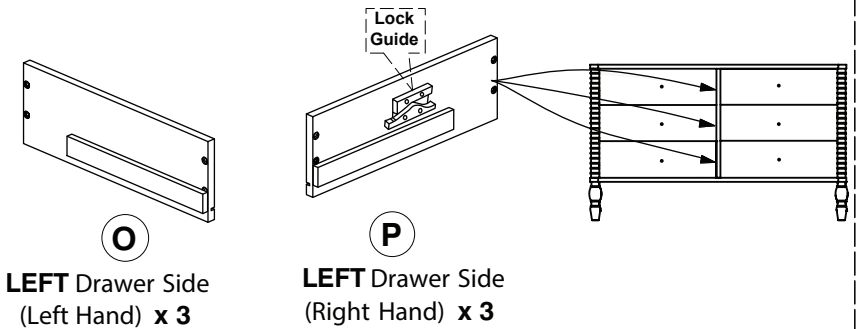
Parts in Box A:



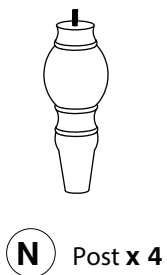
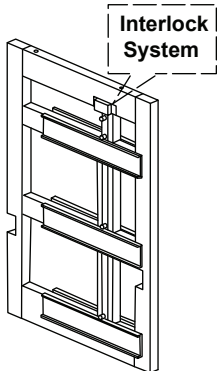
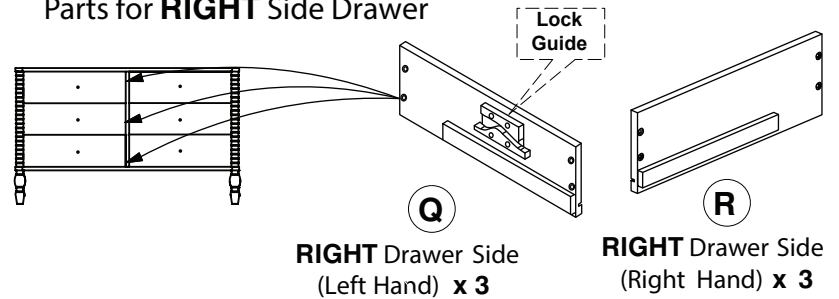
Parts in Box B:



Parts for **LEFT** Side Drawer



Parts for **RIGHT** Side Drawer

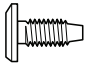
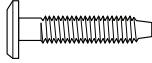

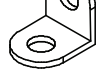
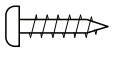
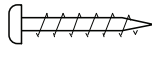
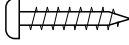
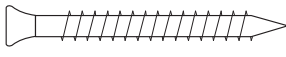
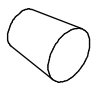
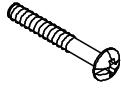




# 9020 6 Drawer Dresser

## Assembly Instructions

WI-0825

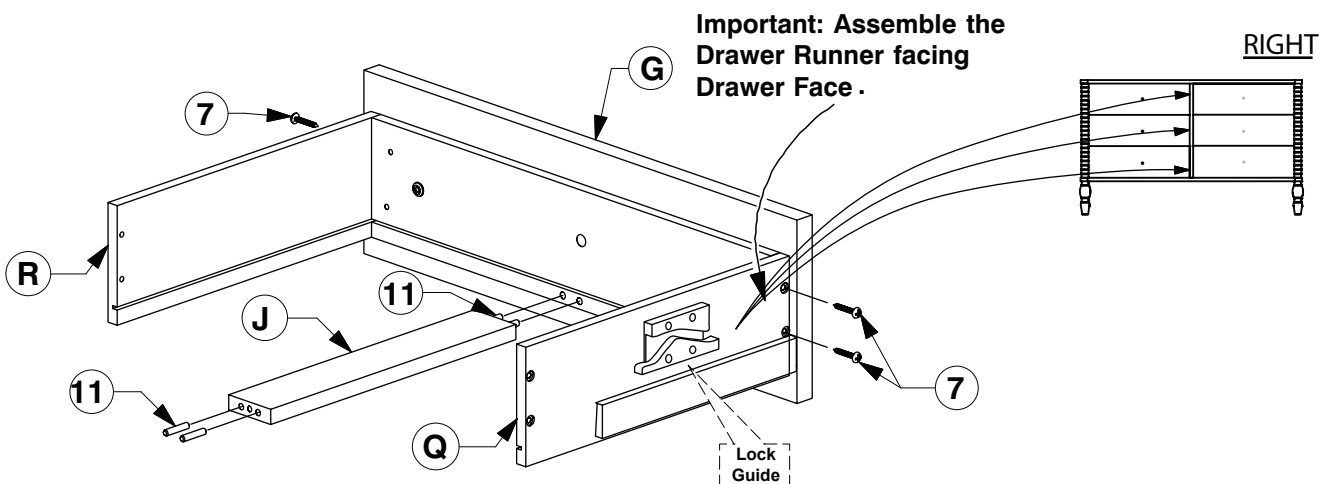
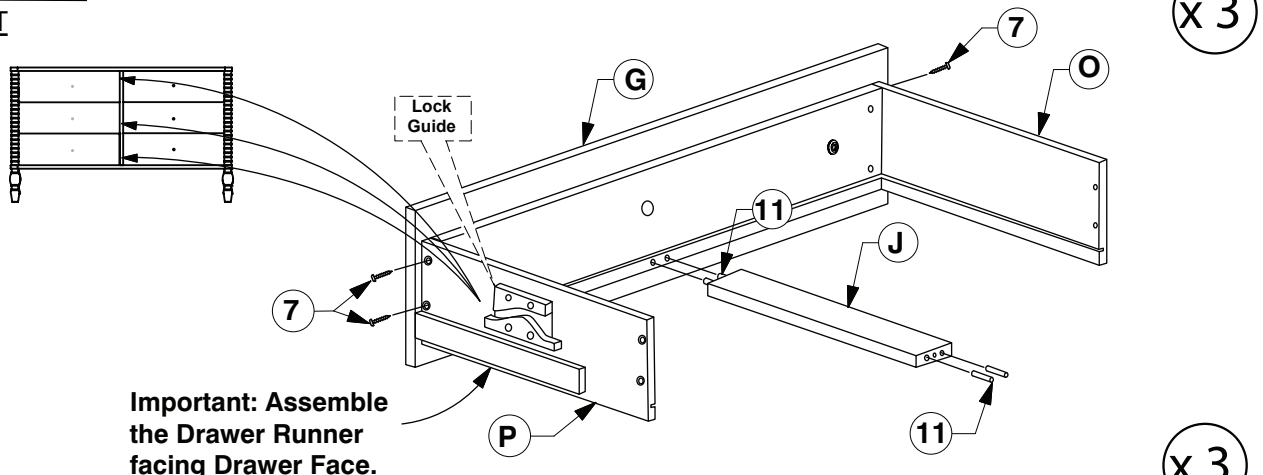
### 2 Hardware List

- |   |   |  |   |
|---|---|--|---|
|  |  |  |  |
| 1 M6 x 15mm JCB x 16  | 2 M6 x 30mm JCB x 2   | 3 M6 x 60mm JCB x 2  | 4 'L' Bracket (5005-3) x 8  |
|  |  |  |  |
| 5 Wood Screw (M4 x 20mm) x 24   | 6 Wood Screw (M4 x 32mm) x 16   | 7 Wood Screw (M4 x 25mm) x 60  | 8 CSK Cap Wood Screw (M6 x 50mm) x 6  |
|  |  |  |  |
| 9 Handle (1005) x 6   | 10 M4 x 22mm Wood Screw x 6   | 11 M6 x 25mm Wood Dowel x 24   | 12 Allen Key x 1  |

### 3 Assemble the Drawers.

#### STEP 3.1

LEFT



# 9020 6 Drawer Dresser

## Assembly Instructions

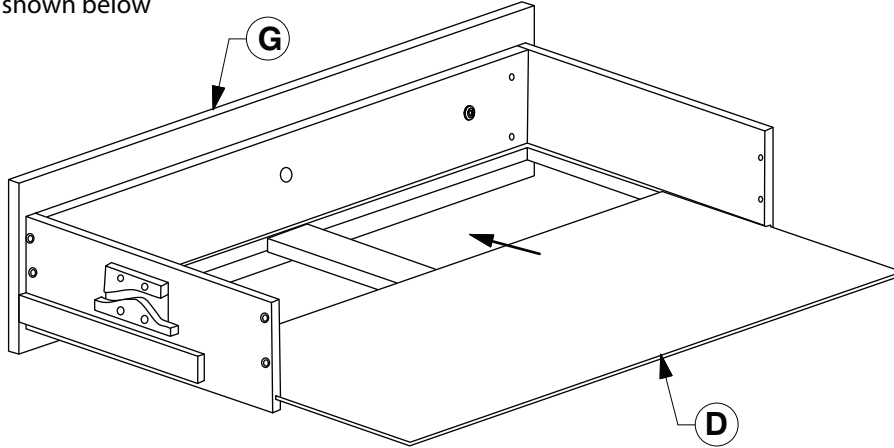
WI-0825

### 3 Assemble the Drawers.

#### STEP 3.2

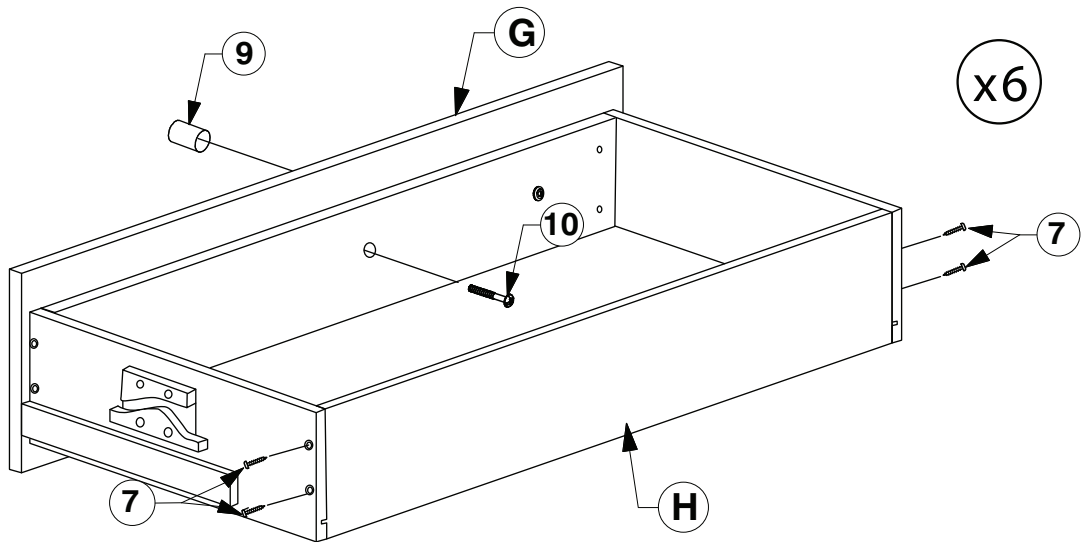
x6

\* 3 Assemble the left and right drawers as shown below



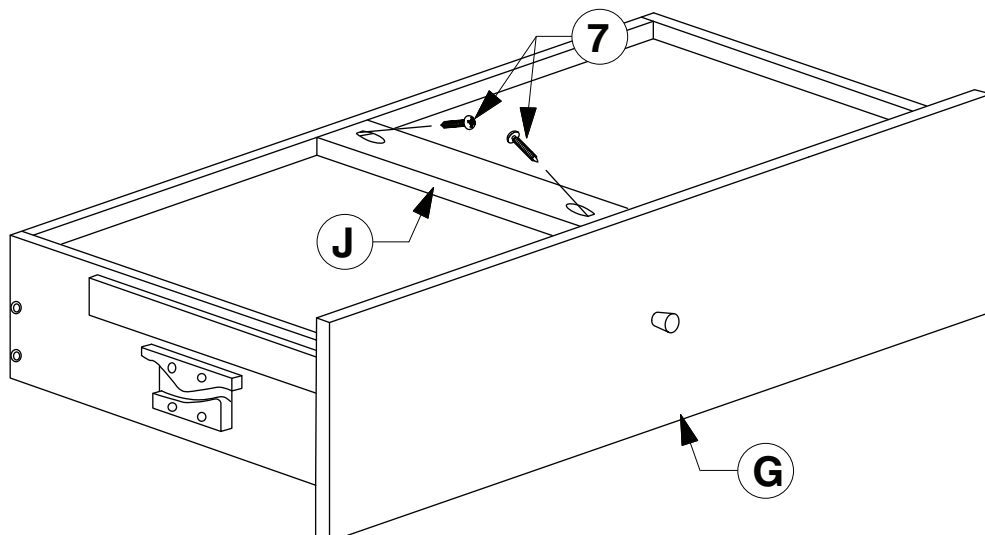
#### STEP 3.3

x6



#### STEP 3.4

x6

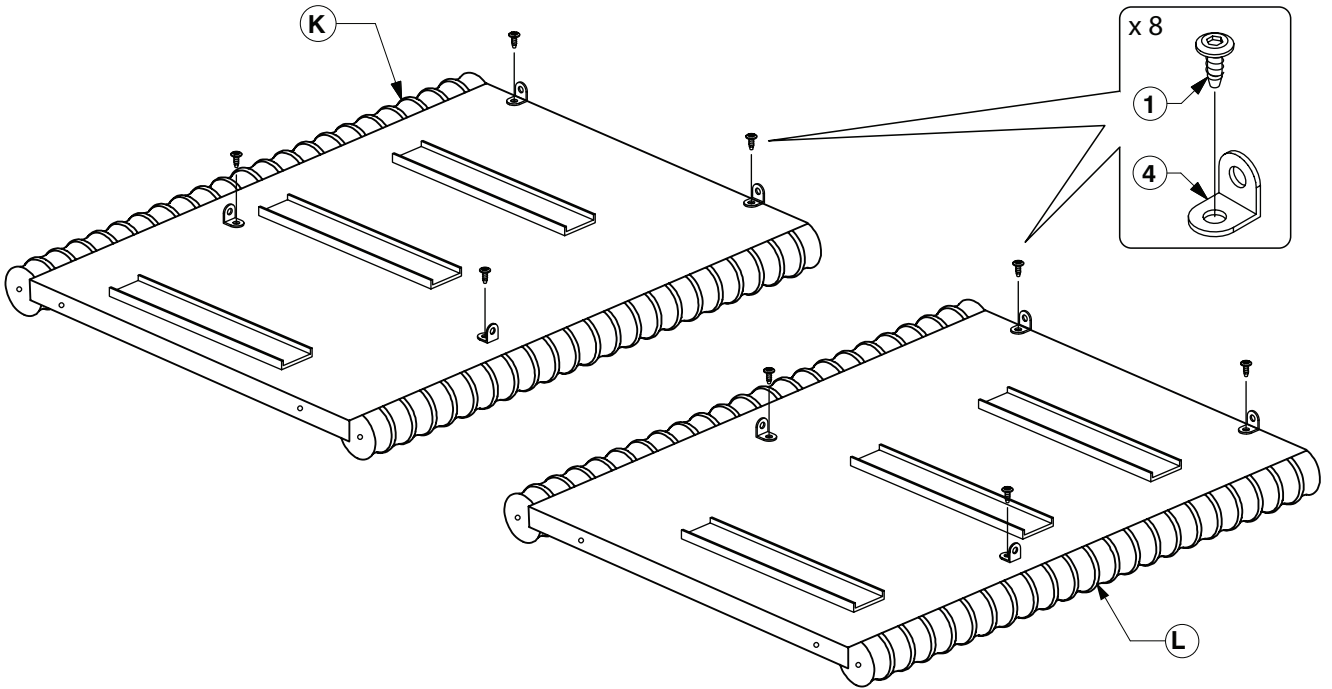


# 9020 6 Drawer Dresser

## Assembly Instructions

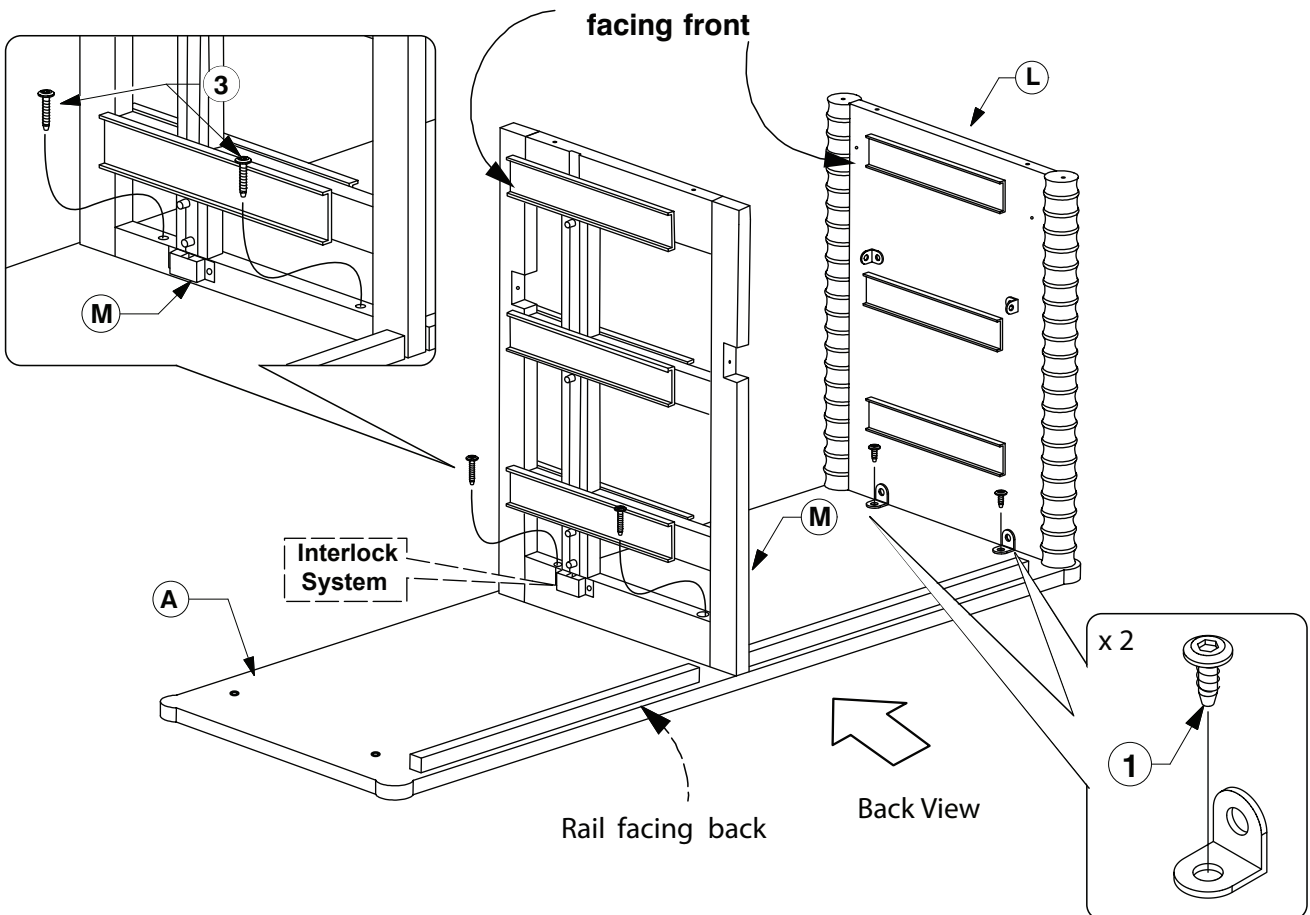
WI-0825

### 4 Fit the 'L' Bracket to the Side Panel (K & L) .



### 5 Fit the Side Panel- Right Hand (L) & Center Frame (M) to the Top Panel (A).

**Important:**  
Drawer Runner  
facing front

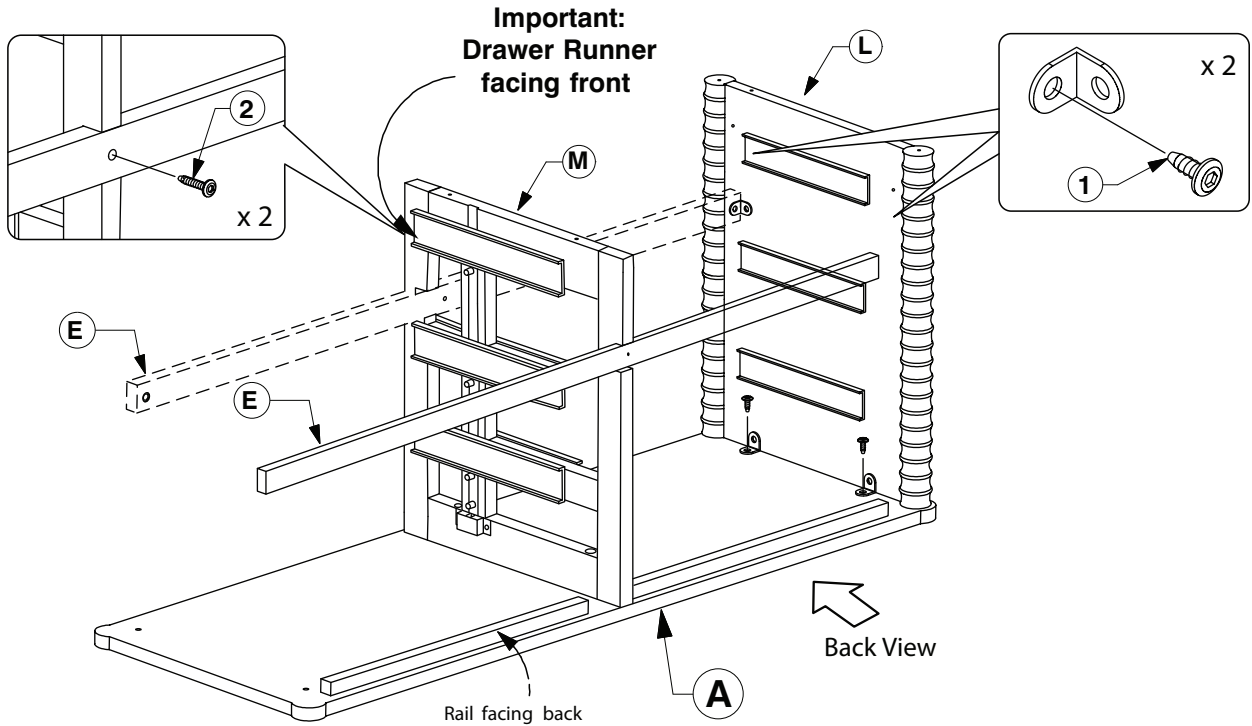


# 9020 6 Drawer Dresser

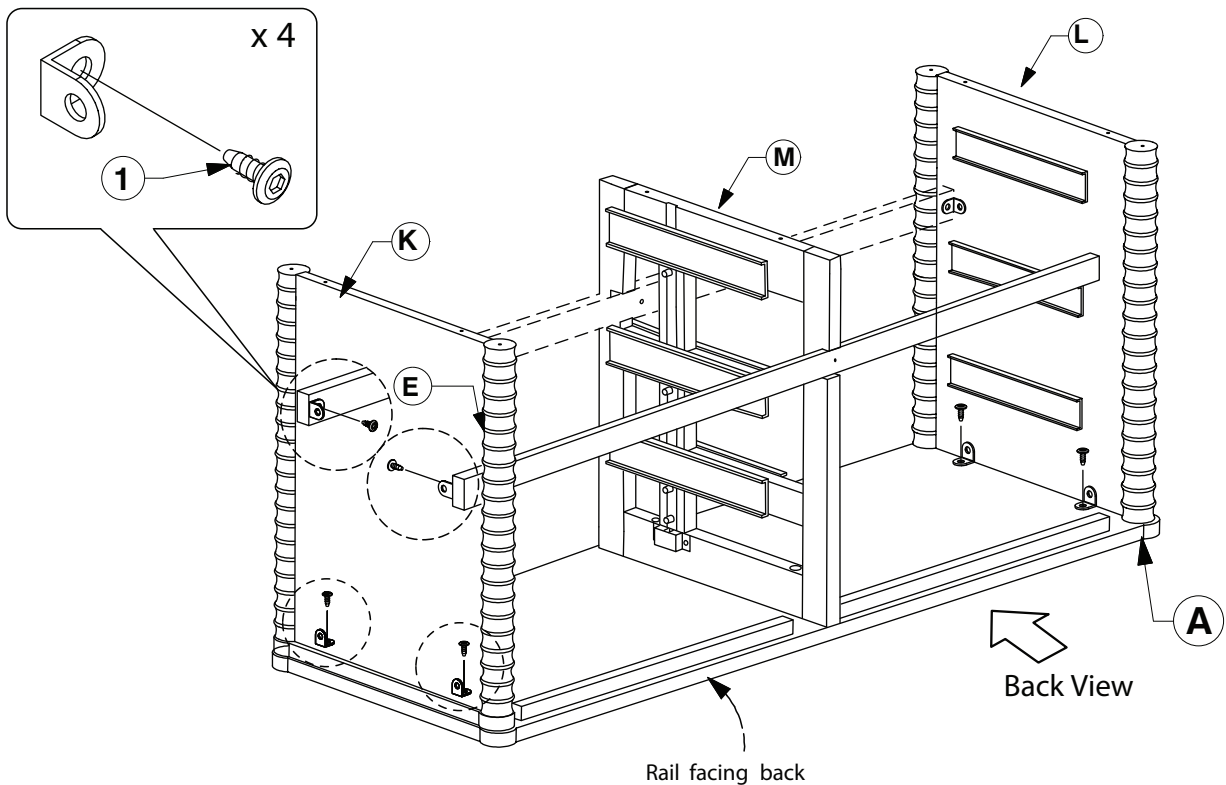
## Assembly Instructions

WI-0825

- 6** Fit the Support Bar (E) to the Side Panel -Right Hand (L) and Center Frame (M) as shown.



- 7** Fit the other side of Side Panel- Left Hand (K) to the Top Panel (A) & Support Bar (E).

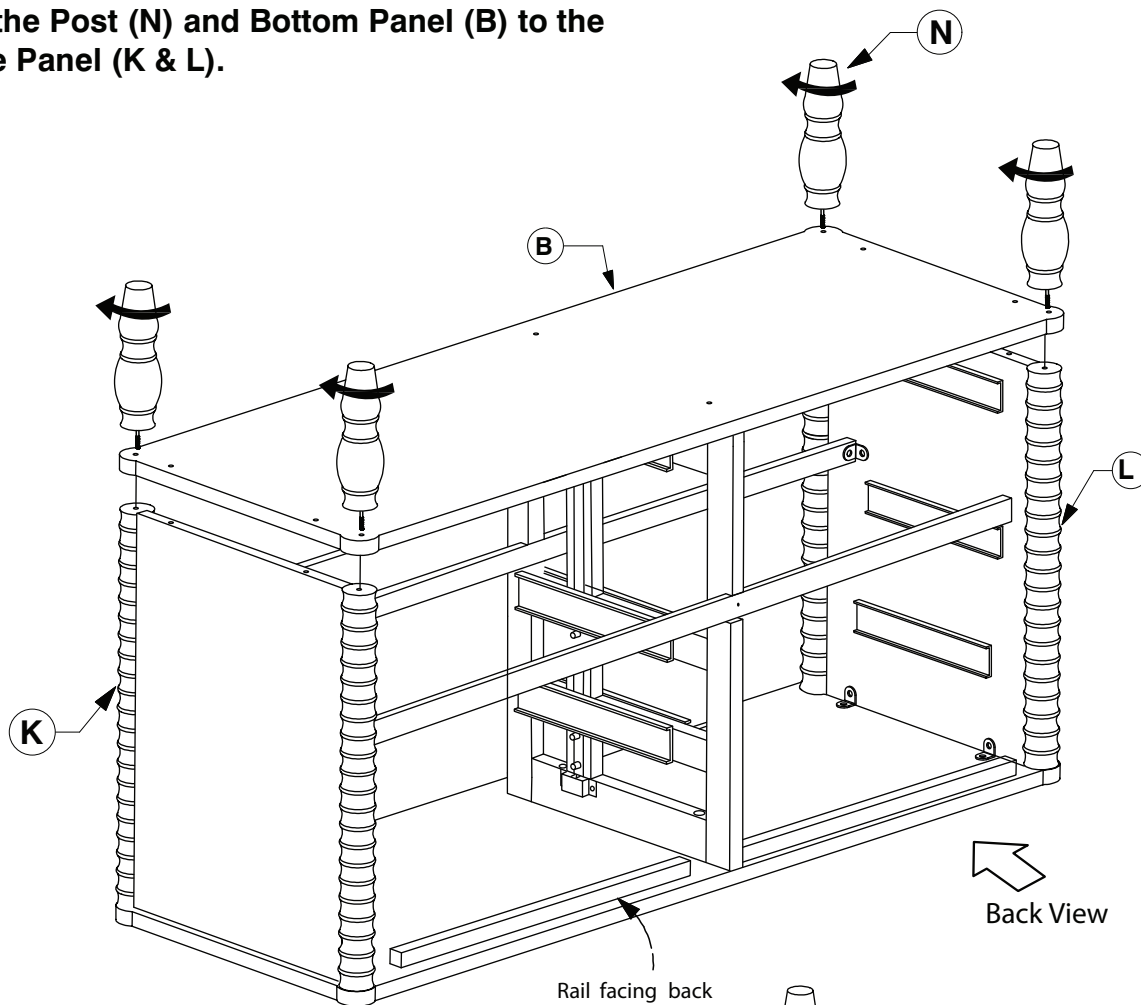


# 9020 6 Drawer Dresser

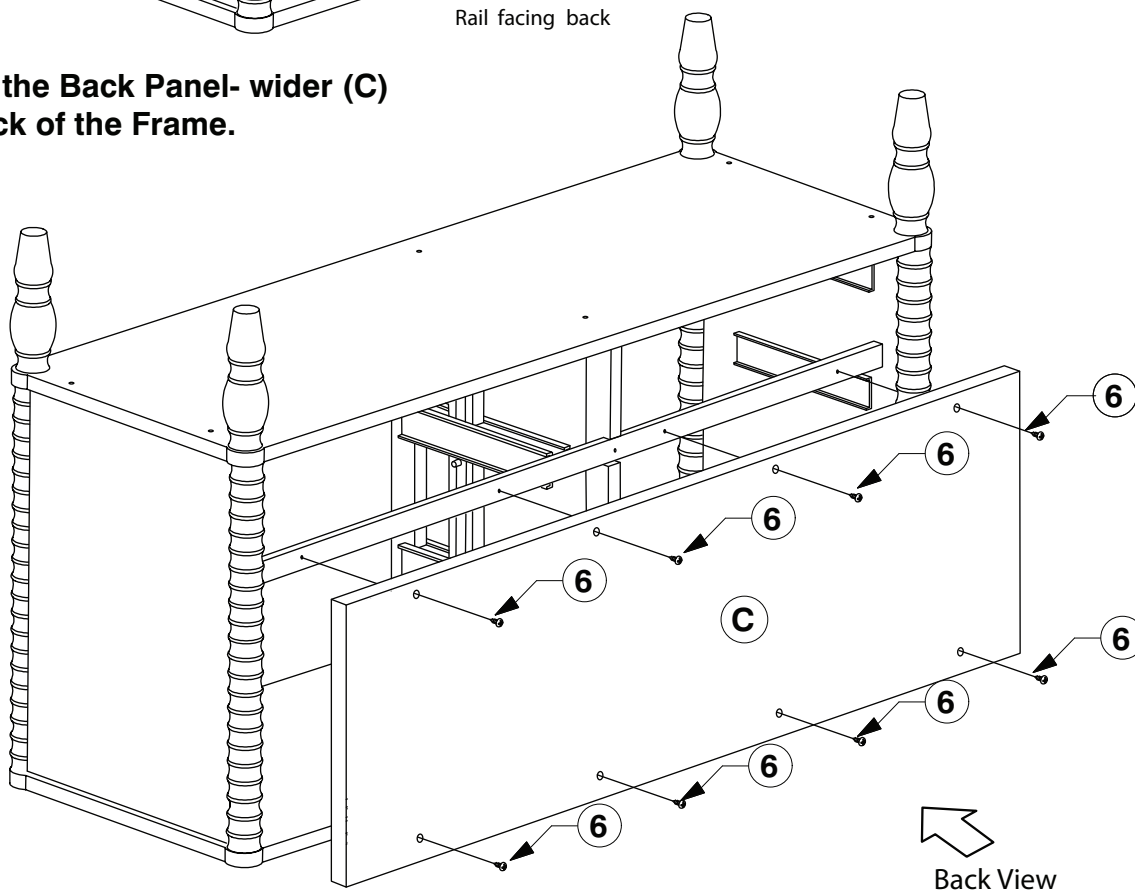
## Assembly Instructions

WI-0825

- 8** Fix the Post (N) and Bottom Panel (B) to the Side Panel (K & L).



- 9** Attached the Back Panel- wider (C) to the back of the Frame.

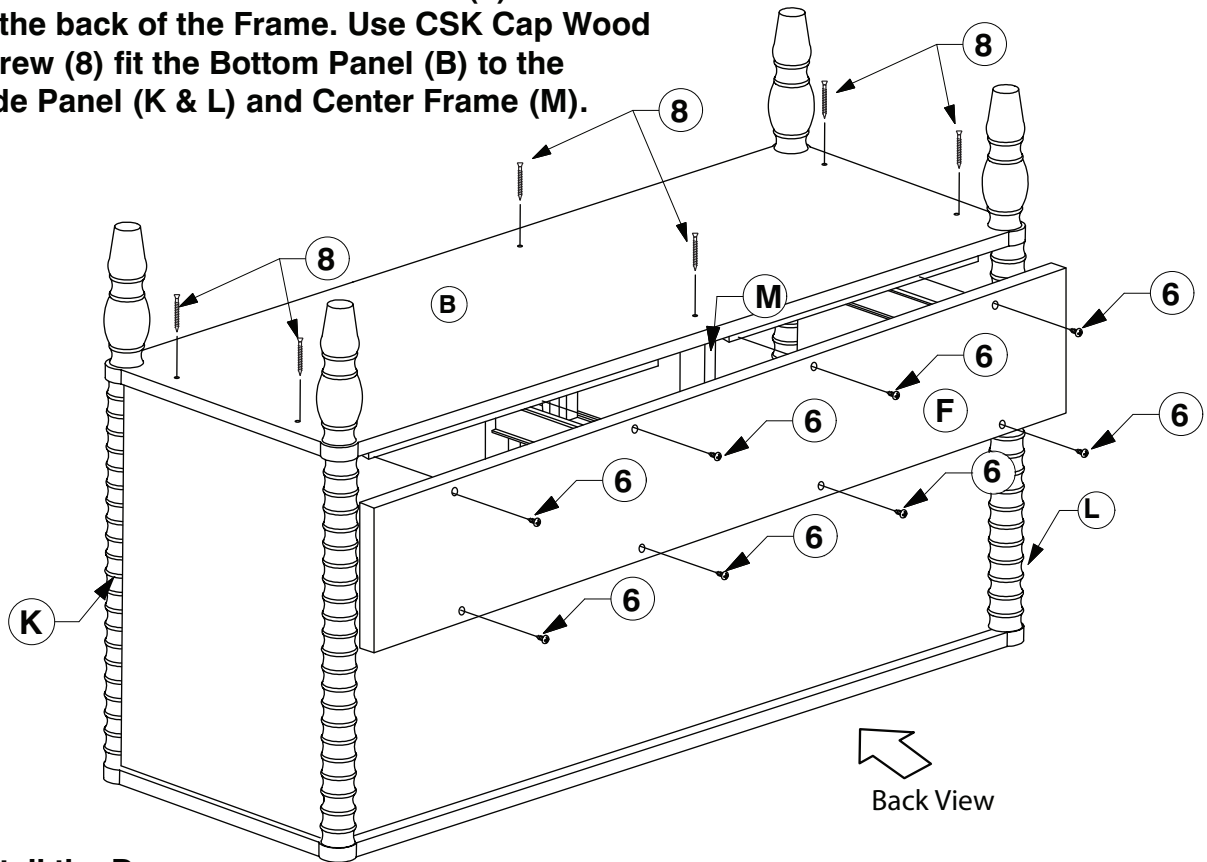


# 9020 6 Drawer Dresser

## Assembly Instructions

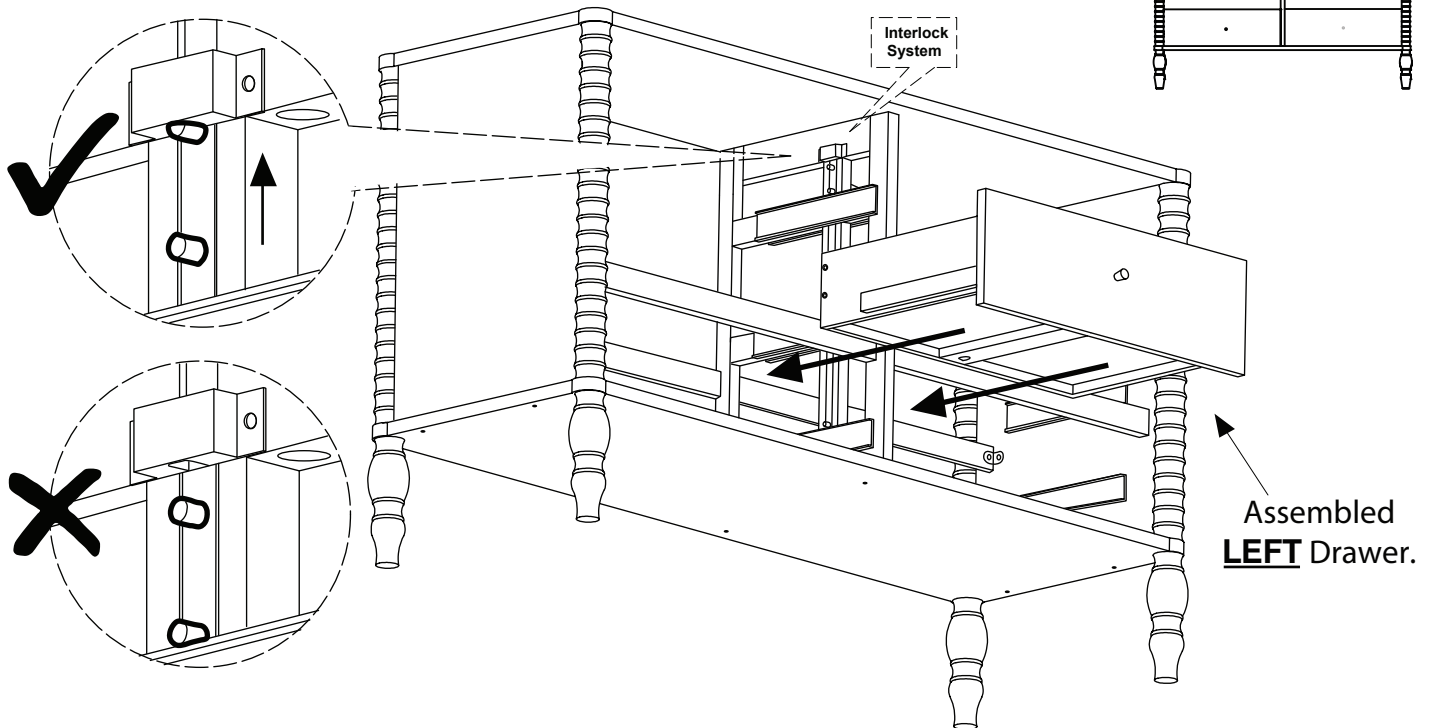
WI-0825

- 10** Attached the Back Panel- narrow (F) to the back of the Frame. Use CSK Cap Wood Screw (8) fit the Bottom Panel (B) to the Side Panel (K & L) and Center Frame (M).



- 11** Install the Drawers.

- Push the Interlock bar **upwards** before inserting the drawers.

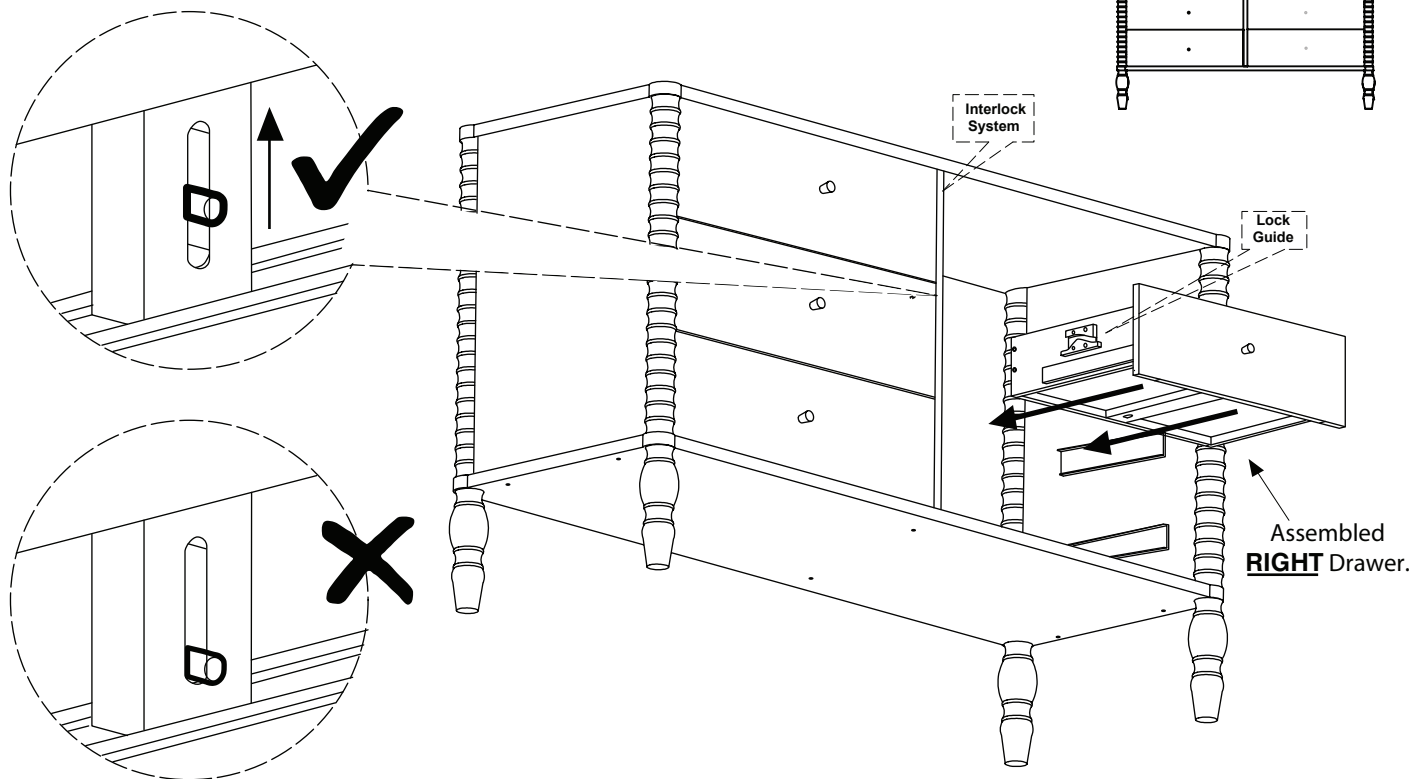


# 9020 6 Drawer Dresser

## Assembly Instructions

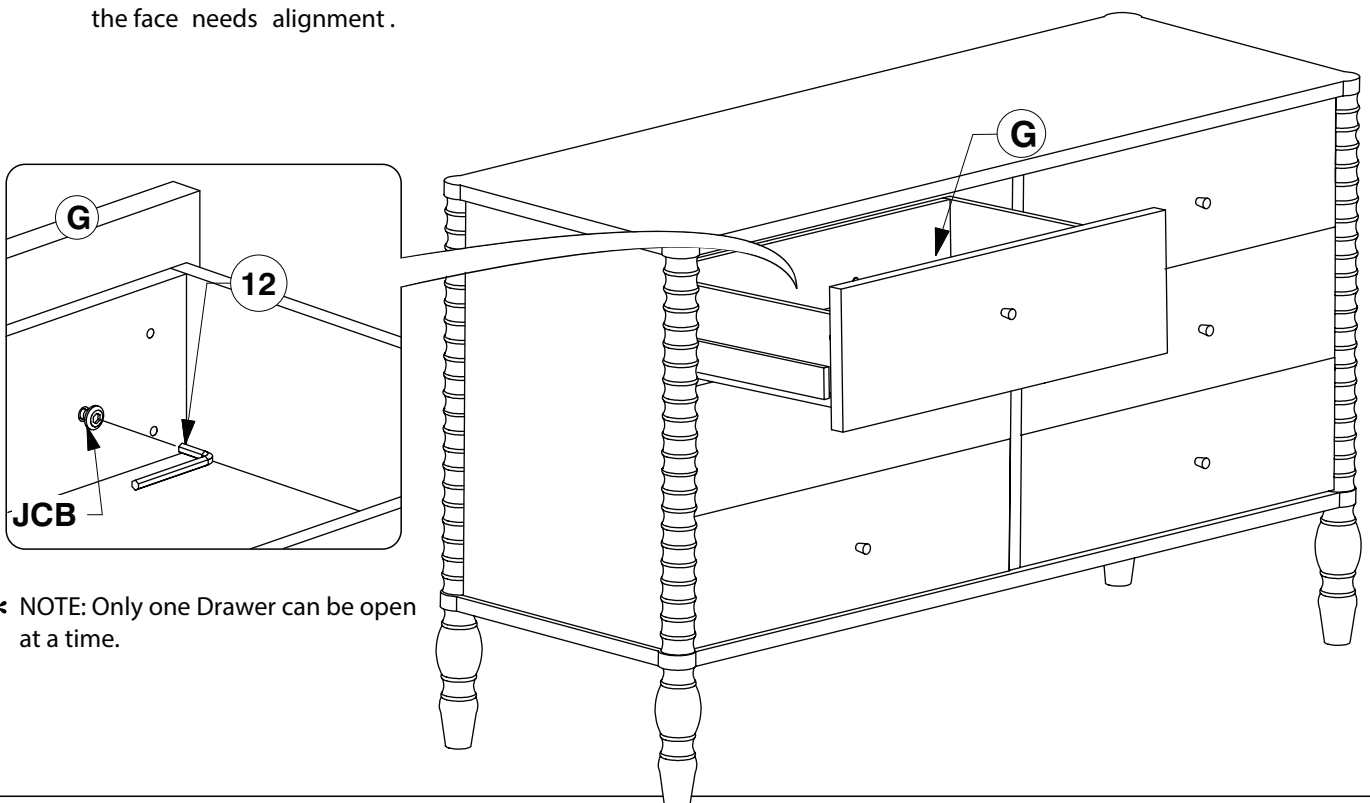
WI-0825

- Push the Interlock bar **upwards** before inserting the drawers.



### 12 Adjust the Drawer Face (G).

- \* NOTE: Before fitting the Wood Screws .  
Losen the JCBs on the Drawer Face if the face needs alignment.



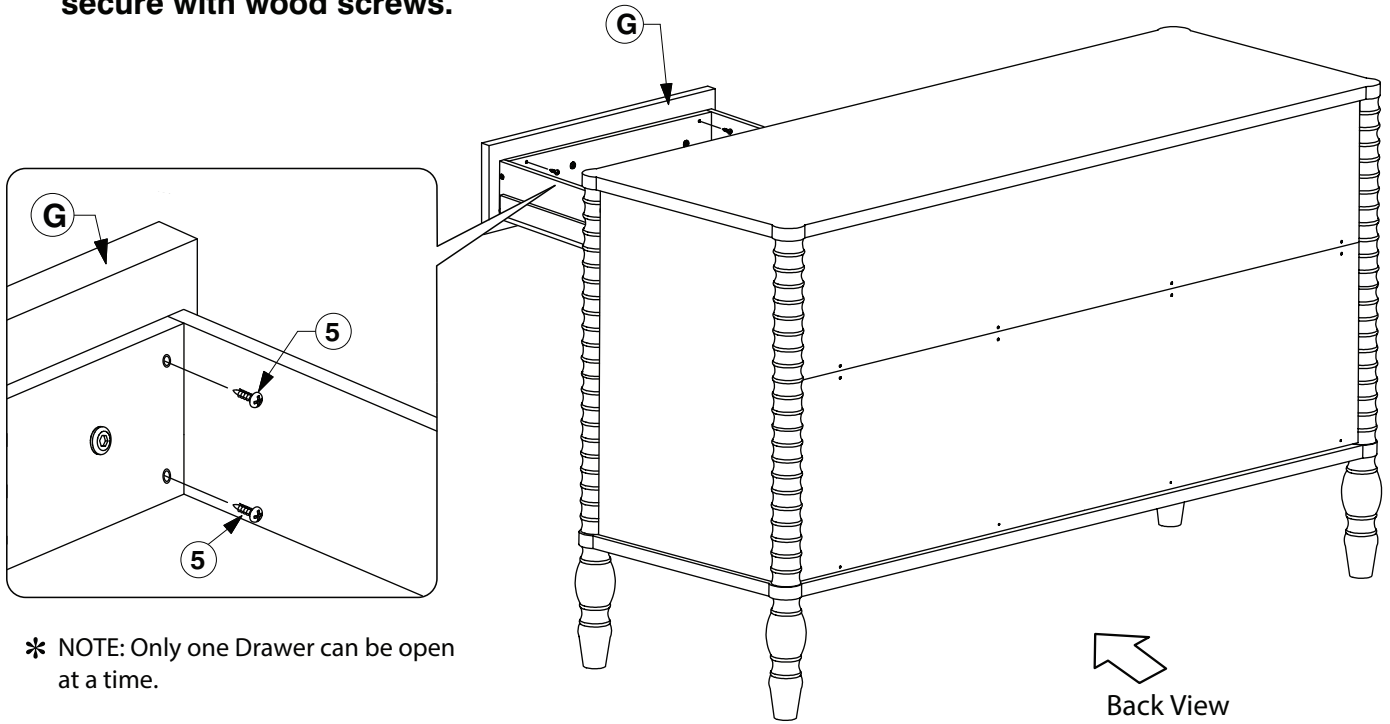
- \* NOTE: Only one Drawer can be open at a time.

# 9020 6 Drawer Dresser

## Assembly Instructions

WI-0825

- 13** After the Drawer Faces (G) are aligned, secure with wood screws.



\* NOTE: Only one Drawer can be open at a time.

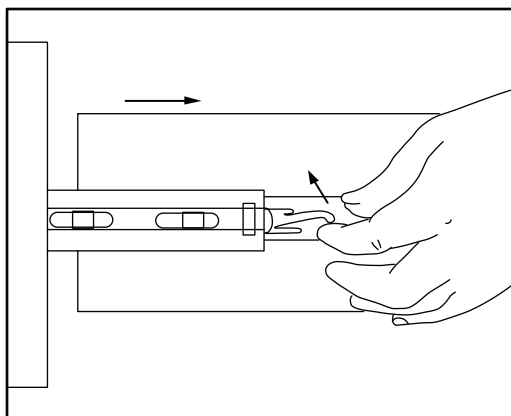
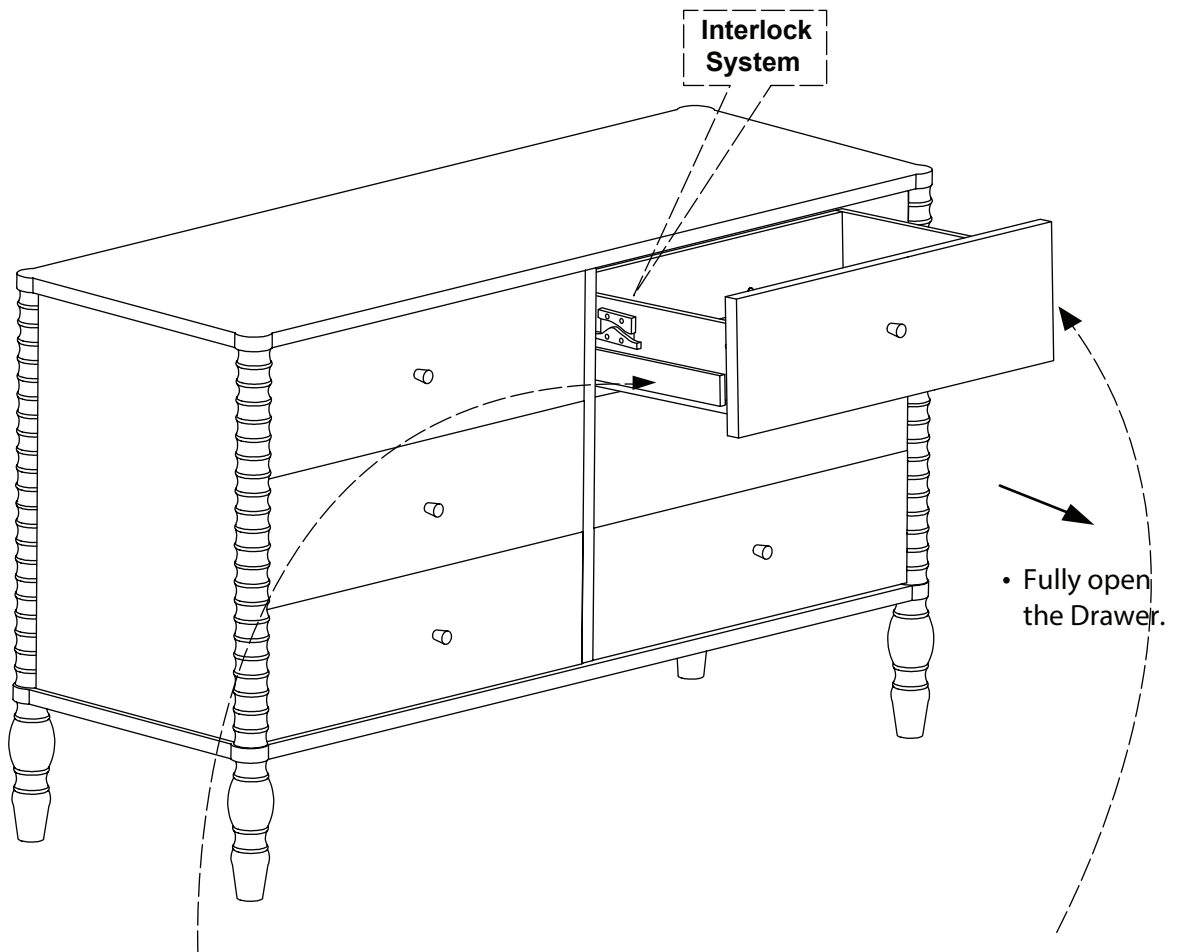
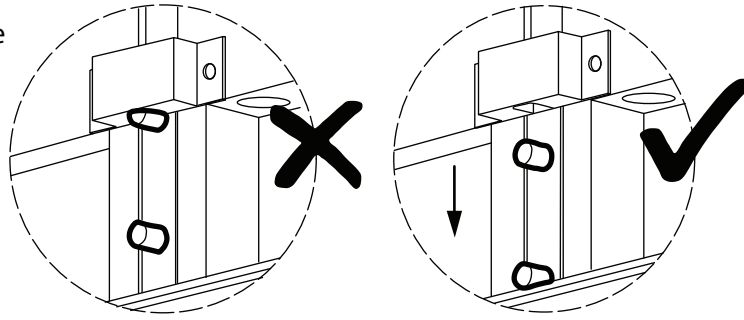
# 9020 6 Drawer Dresser

## Assembly Instructions

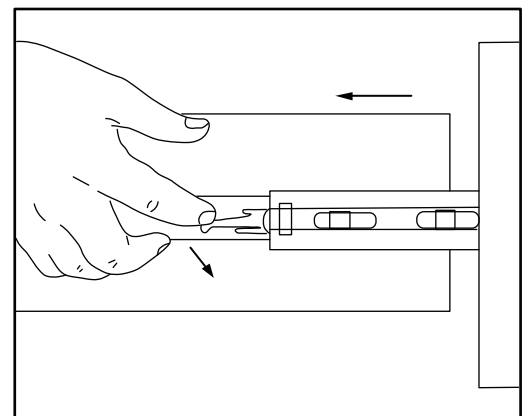
WI-0825

### 14 Remove the Drawers.

- After removing the top drawer, push the interlock bar **down**. Then remove the lower drawers.



- Lift the **LEFT** side clip **up**.

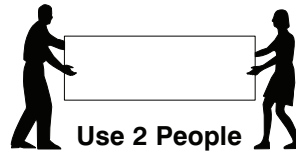
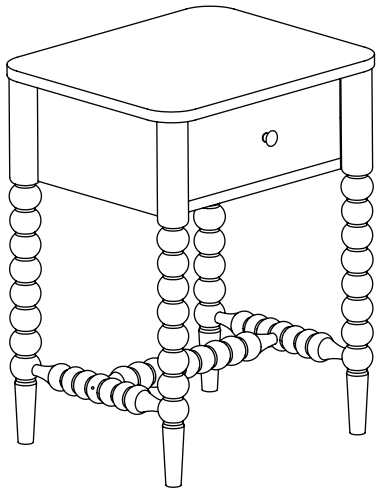


- Push the **RIGHT** side clip **down**.

# 9020 1 Drawer Night Stand

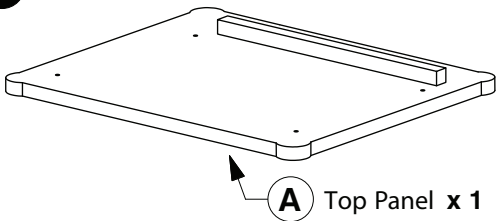
## Assembly Instructions

WI-0925

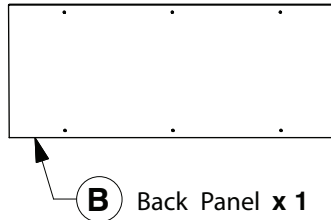


**Note:** Do not assemble using power tools. This can cause the bolts to be overtightened

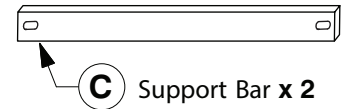
### 1 Parts List



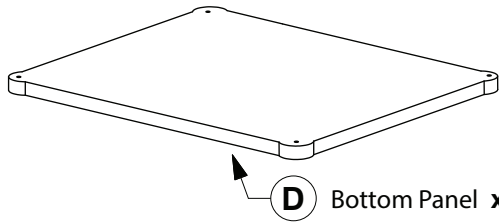
**A** Top Panel x 1



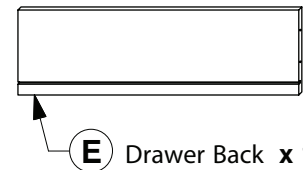
**B** Back Panel x 1



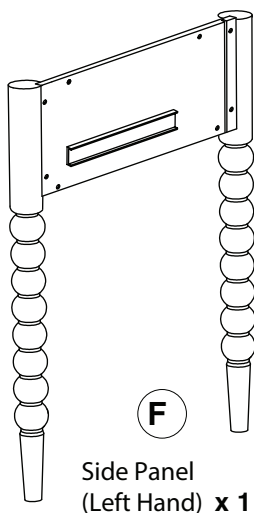
**C** Support Bar x 2



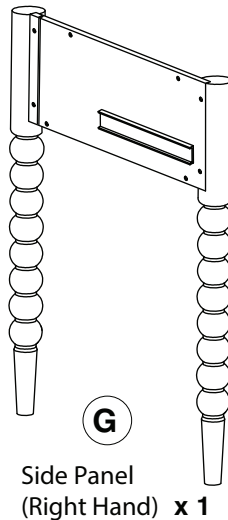
**D** Bottom Panel x 1



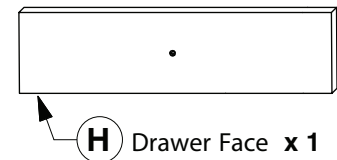
**E** Drawer Back x 1



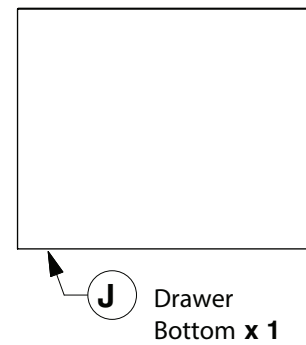
**F** Side Panel (Left Hand) x 1



**G** Side Panel (Right Hand) x 1



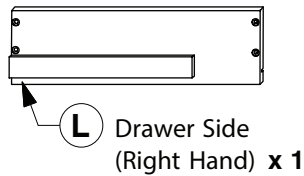
**H** Drawer Face x 1



**J** Drawer Bottom x 1



**K** Drawer Side (Left Hand) x 1



**L** Drawer Side (Right Hand) x 1



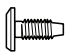

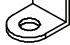
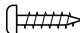
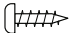
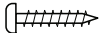
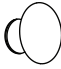
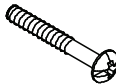

**M** Post x 4

# 9020 1 Drawer Night Stand

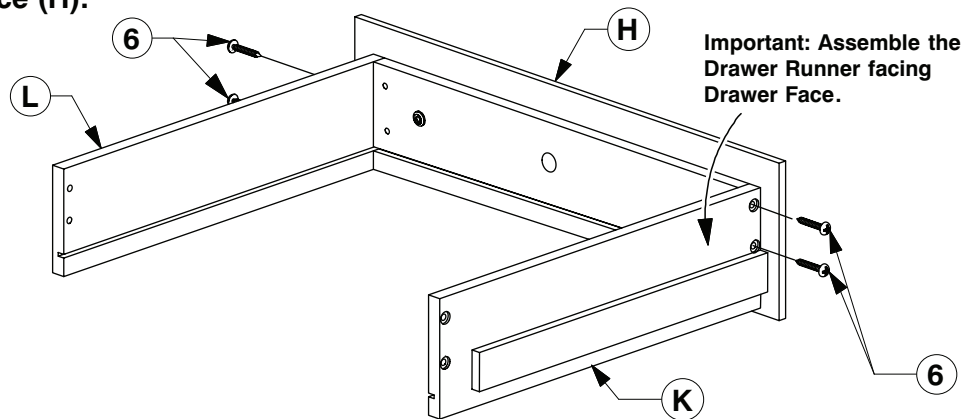
## Assembly Instructions

WI-0925

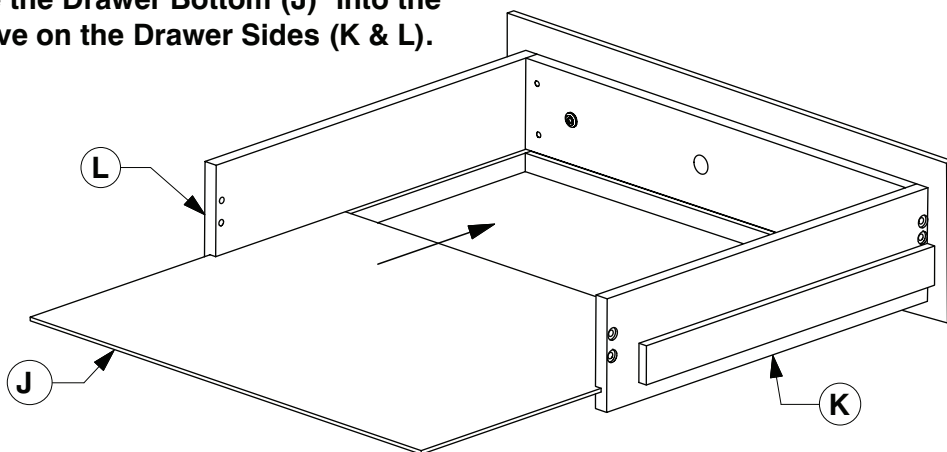
### 2 Hardware List

- |   |   |  |   |   |
|---|---|--|---|---|
| <br><b>1</b> M6 x 15mm<br>JCB x 8        | <br><b>2</b> M6 x<br>30mm JCB<br>x 4 | <br><b>3</b> 'L' Bracket<br>(5005-3) x 4  | <br><b>4</b> M4 x 20mm<br>Wood Screw x 4 | <br><b>5</b> M4 x 16mm<br>Wood Screw x 6 |
| <br><b>6</b> M4 x 25mm<br>Wood Screw x 8 | <br><b>7</b> Handle<br>(1005) x 1    | <br><b>8</b> M4 x 22mm<br>Wood Screw x 1 | <br><b>9</b> Allen Key<br>x 1            |   |

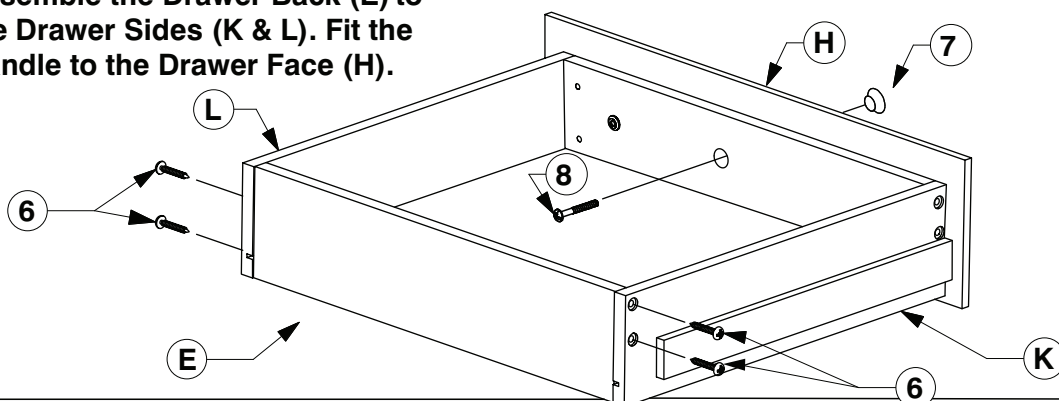
### 3 Assemble the Drawer Sides (K & L) to the Drawer Face (H).



### 4 Slide the Drawer Bottom (J) into the groove on the Drawer Sides (K & L).



### 5 Assemble the Drawer Back (E) to the Drawer Sides (K & L). Fit the Handle to the Drawer Face (H).

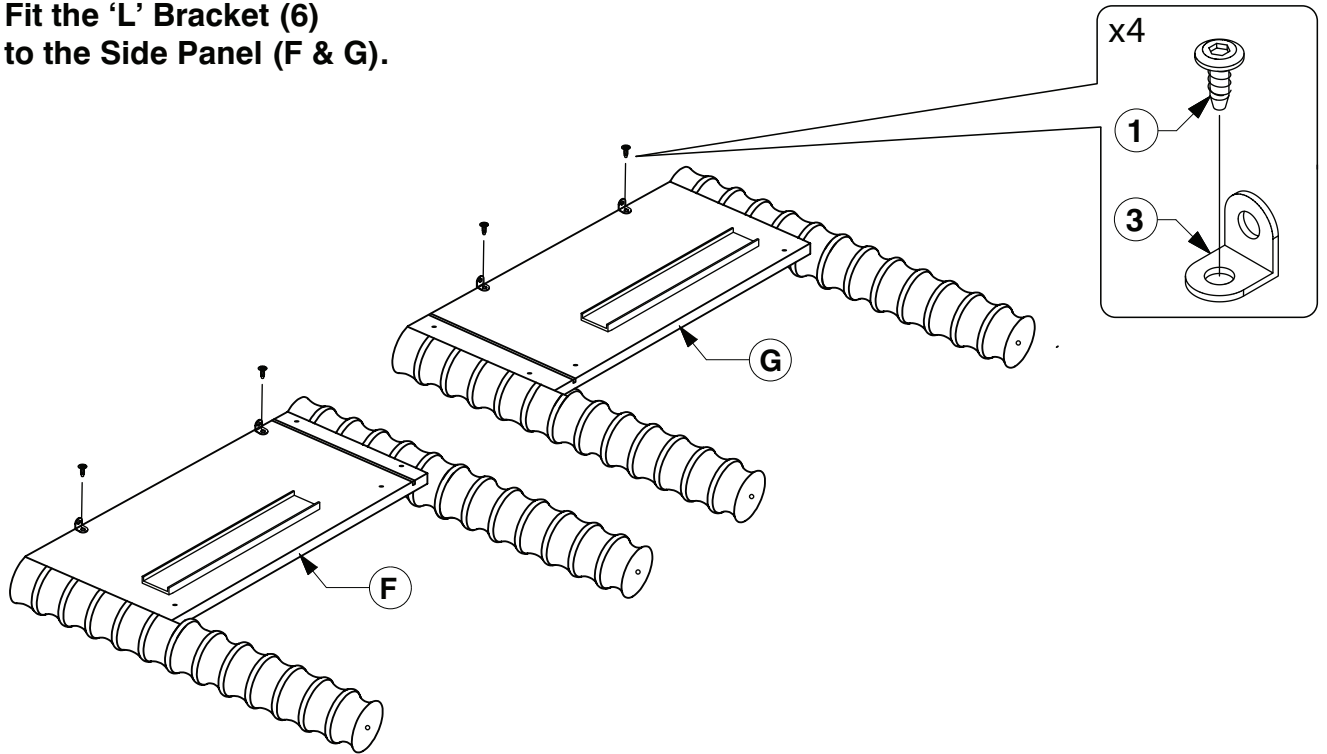


# 9020 1 Drawer Night Stand

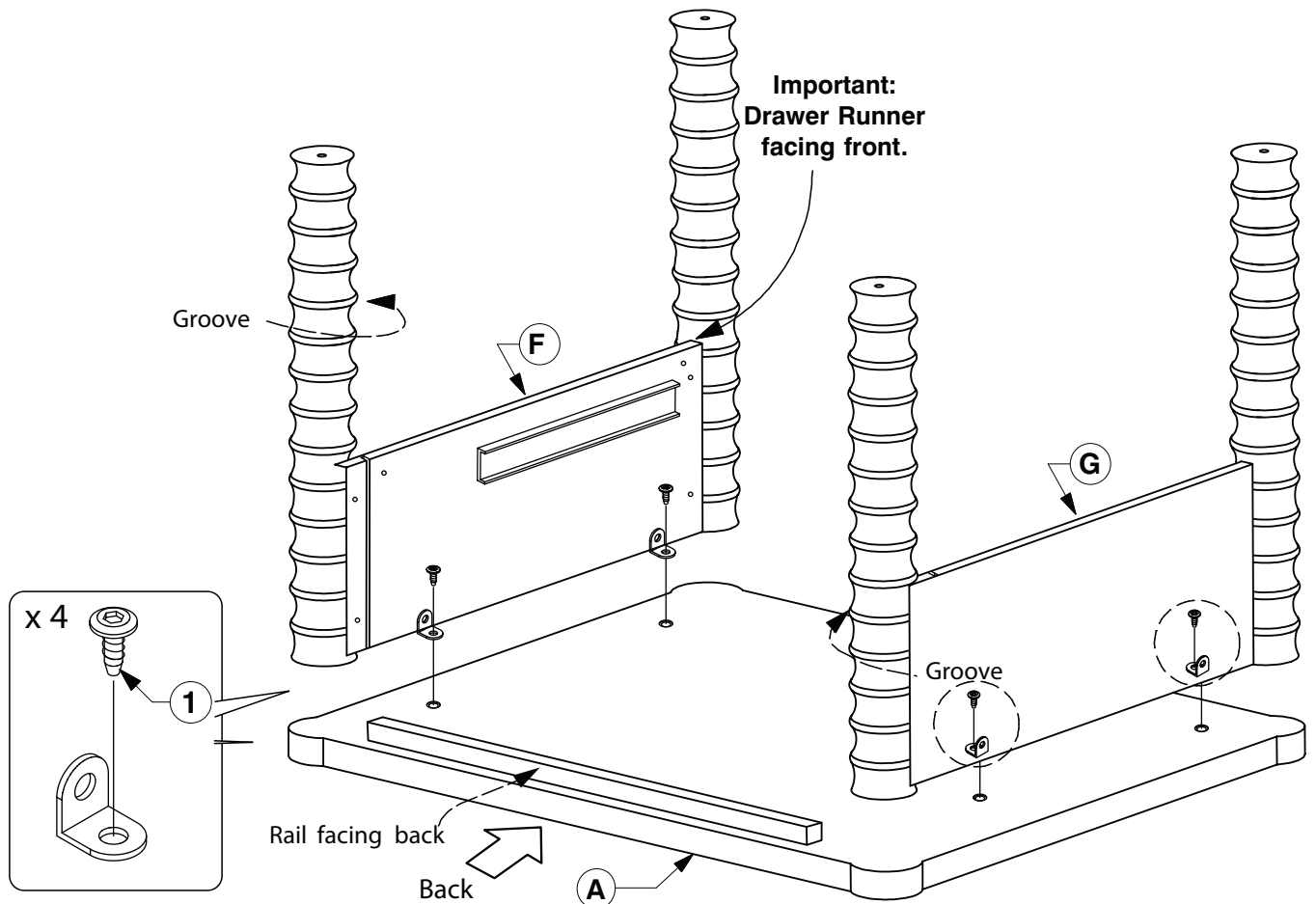
## Assembly Instructions

WI-0925

- 6** Fit the 'L' Bracket (6) to the Side Panel (F & G).



- 7** Assemble the Side Panel (F & G) to the Top Panel (A).

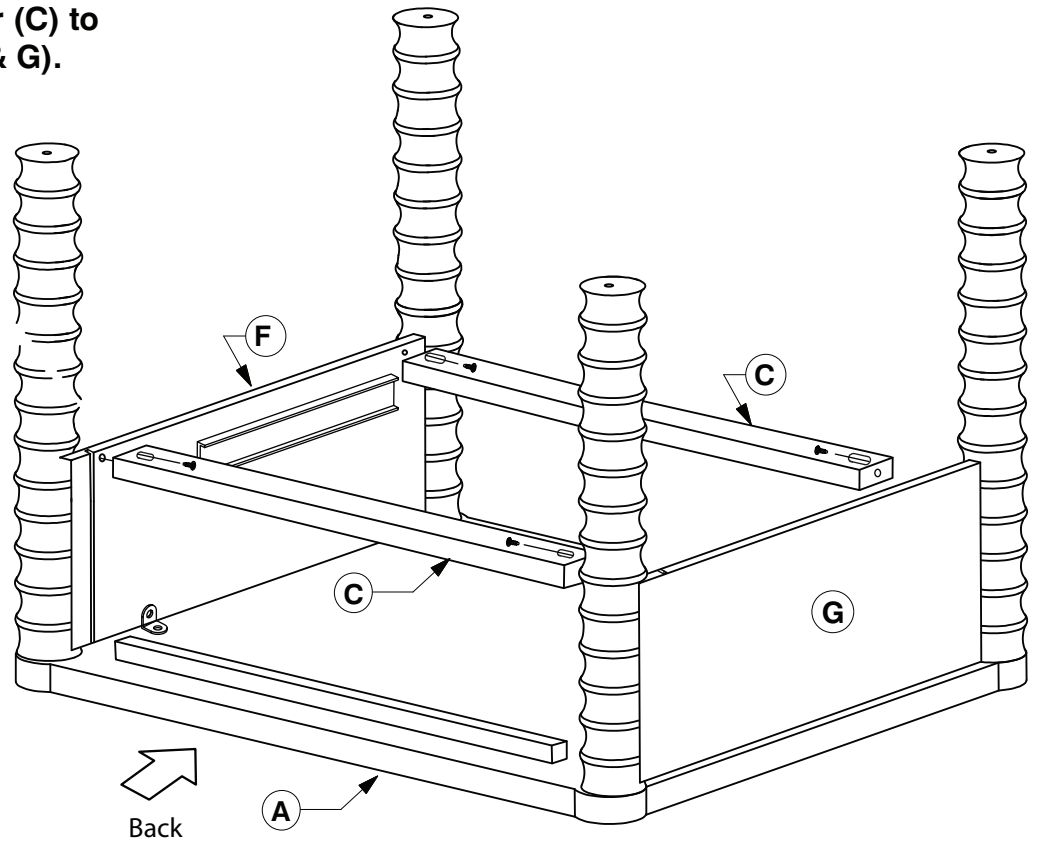
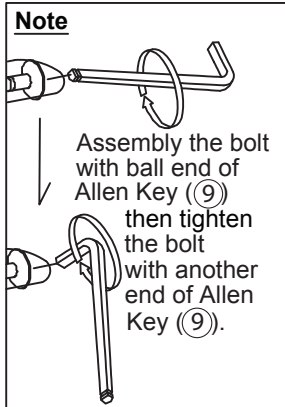
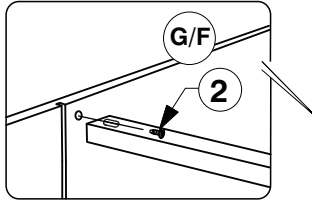


# 9020 1 Drawer Night Stand

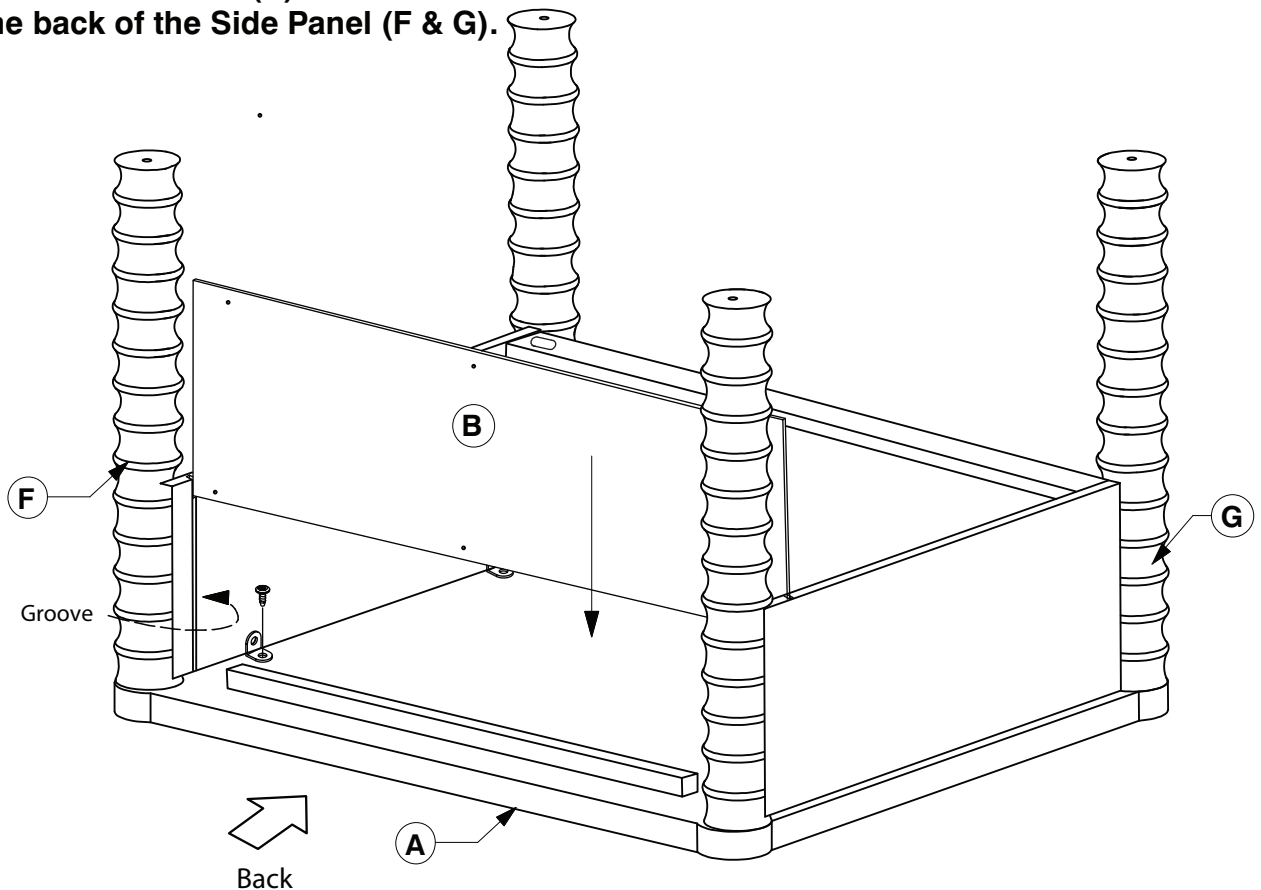
## Assembly Instructions

WI-0925

- 8** Fit the Support Bar (C) to the Side Panel (F & G).



- 9** Slide the Back Panel (B) into the on the back of the Side Panel (F & G).

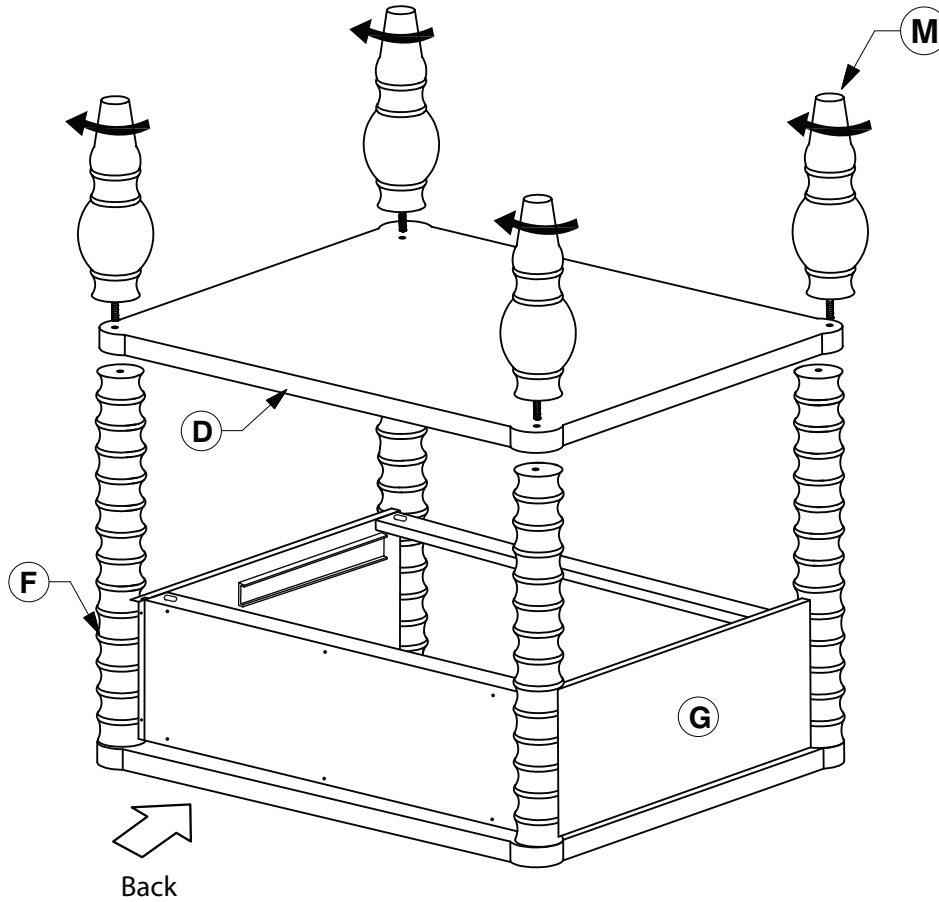


# 9020 1 Drawer Night Stand

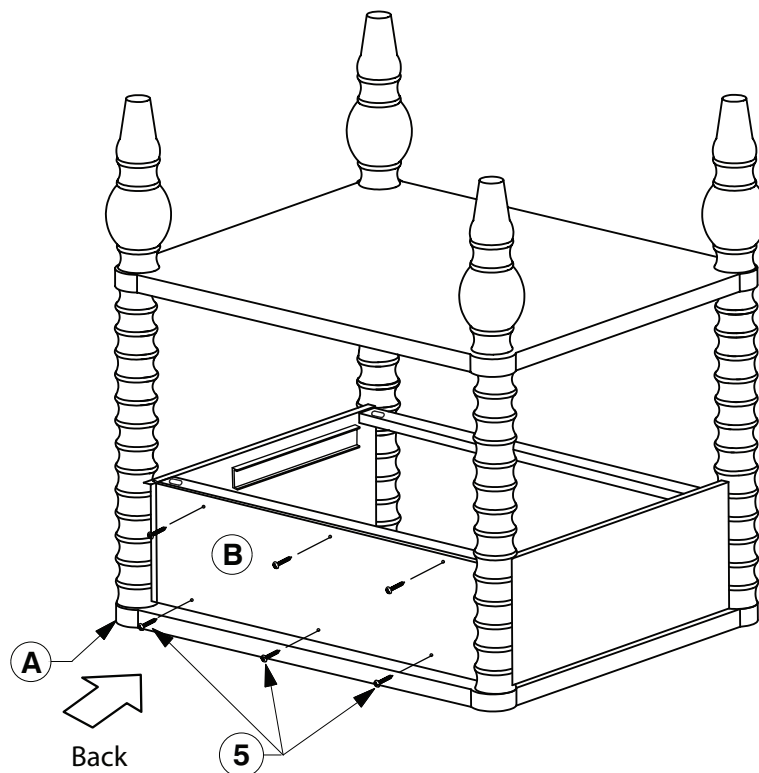
## Assembly Instructions

WI-0925

- 10** Fix the Post (M) and Bottom Panel (D) to the Side Panel (F & G).



- 11** Screw the Back Panel (B) to the Side Panel (F & G).

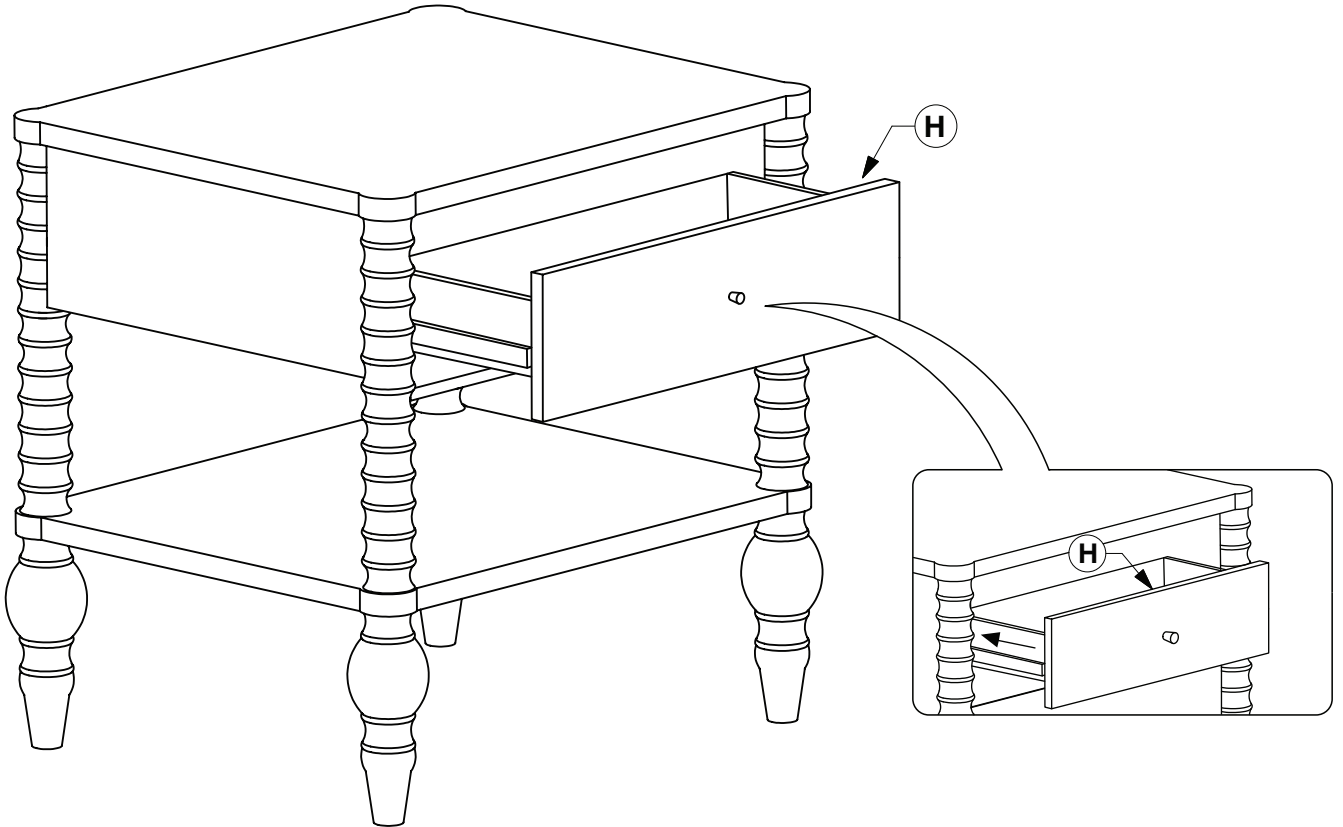


# 9020 1 Drawer Night Stand

## Assembly Instructions

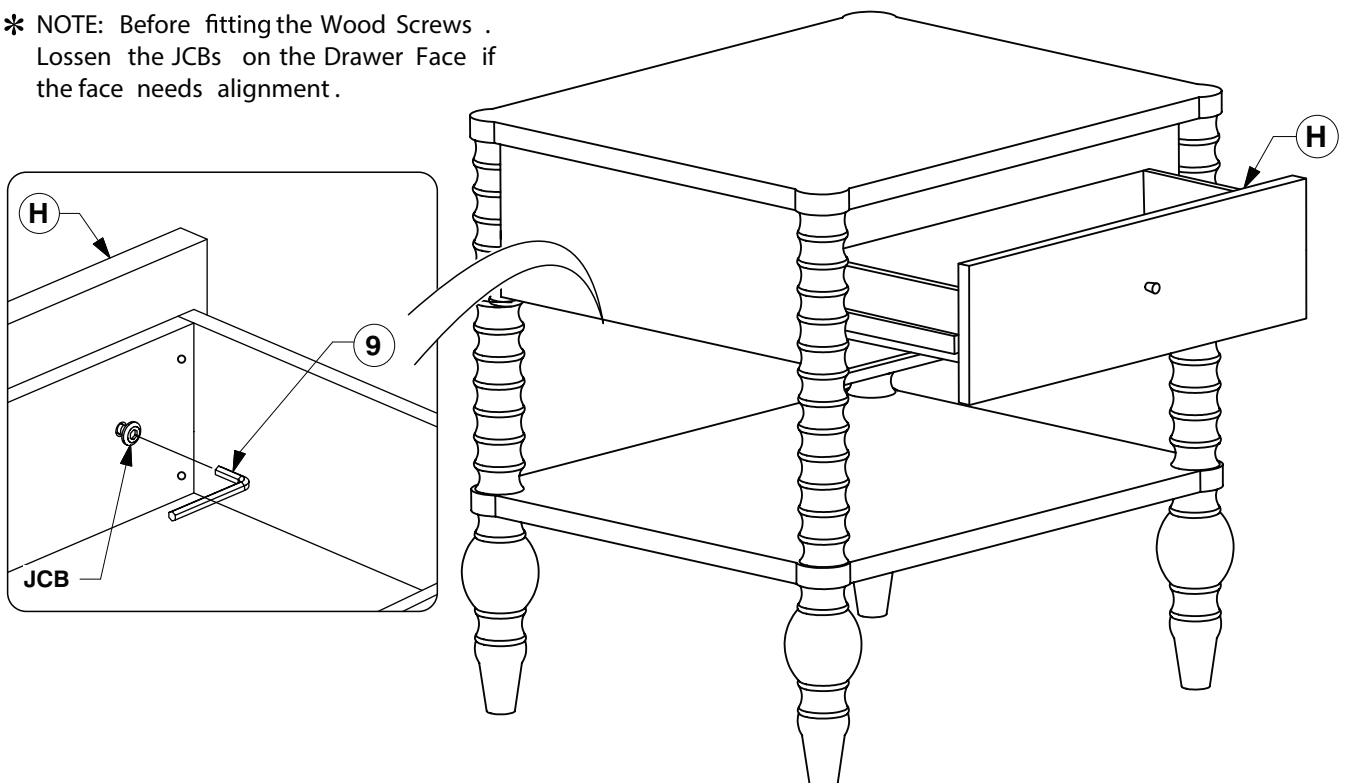
WI-0925

### 12 Fit the Drawer Face (H) to the Casegood Body.



### 13 Adjust the Drawer Face (H).

\* NOTE: Before fitting the Wood Screws .  
Loosen the JCBs on the Drawer Face if  
the face needs alignment .

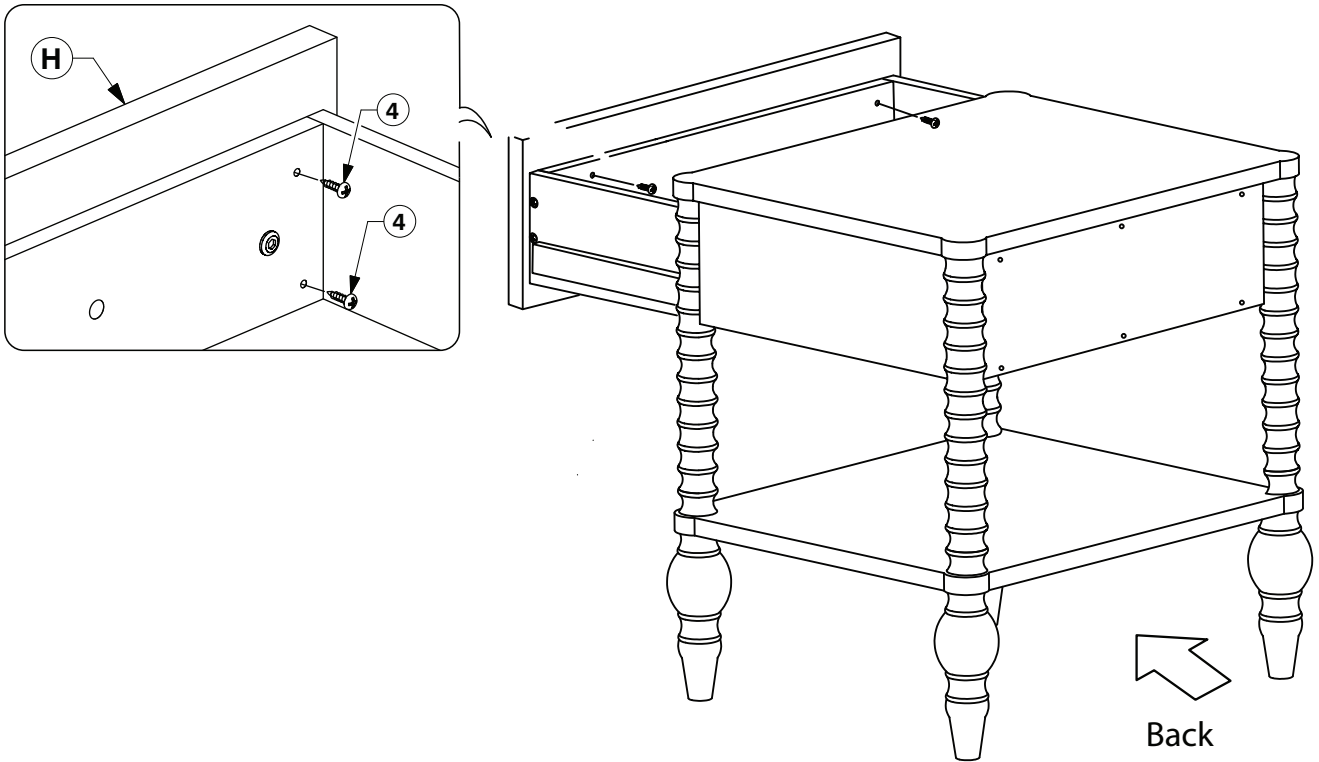


# 9020 1 Drawer Night Stand

## Assembly Instructions

WI-0925

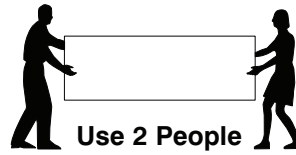
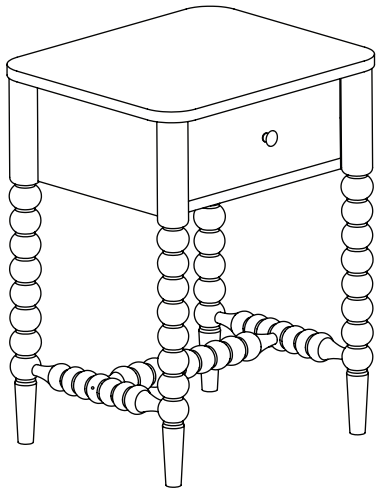
- 14** After the Drawer Faces (H) are aligned, secure with wood screws.



# 9020 1 Drawer Night Stand

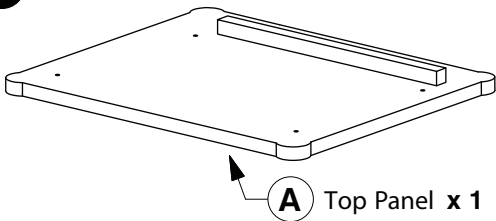
## Assembly Instructions

WI-0925

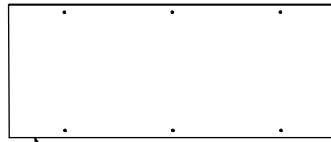


**Note:** Do not assemble using power tools. This can cause the bolts to be overtightened

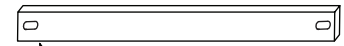
### 1 Parts List



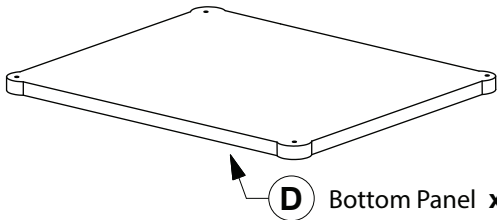
**A** Top Panel x 1



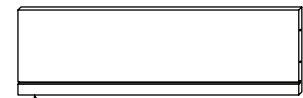
**B** Back Panel x 1



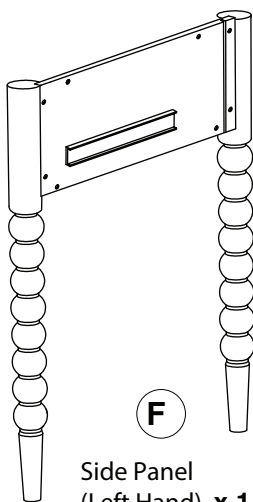
**C** Support Bar x 2



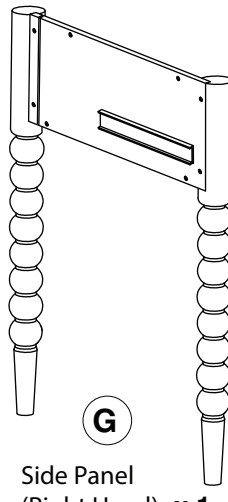
**D** Bottom Panel x 1



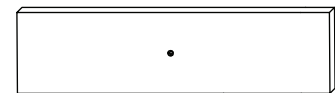
**E** Drawer Back x 1



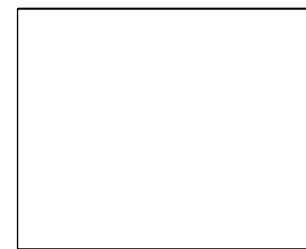
**F** Side Panel (Left Hand) x 1



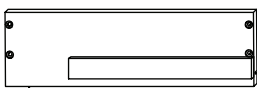
**G** Side Panel (Right Hand) x 1



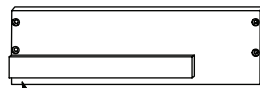
**H** Drawer Face x 1



**J** Drawer Bottom x 1



**K** Drawer Side (Left Hand) x 1



**L** Drawer Side (Right Hand) x 1

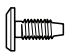

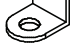
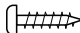
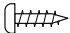
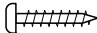
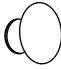
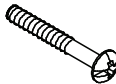

**M** Post x 4

# 9020 1 Drawer Night Stand

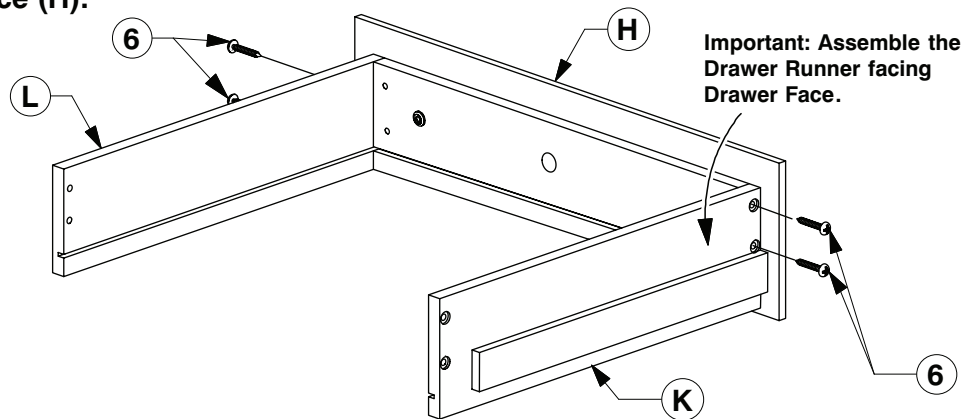
## Assembly Instructions

WI-0925

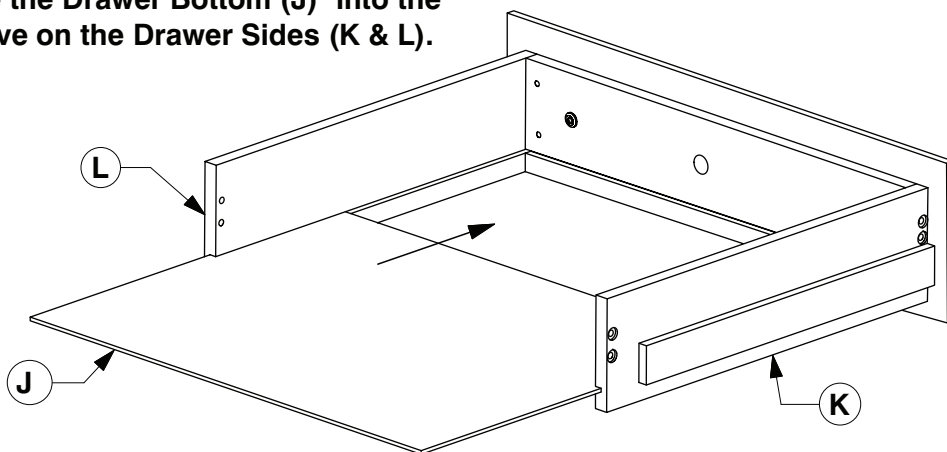
### 2 Hardware List

- |  |   |   |  |  |
|--|---|---|--|--|
| <br><b>1</b> M6 x 15mm JCB x 8        | <br><b>2</b> M6 x 30mm JCB x 4 | <br><b>3</b> 'L' Bracket (5005-3) x 4  | <br><b>4</b> M4 x 20mm Wood Screw x 4 | <br><b>5</b> M4 x 16mm Wood Screw x 6 |
| <br><b>6</b> M4 x 25mm Wood Screw x 8 | <br><b>7</b> Handle (1005) x 1 | <br><b>8</b> M4 x 22mm Wood Screw x 1 | <br><b>9</b> Allen Key x 1            |  |

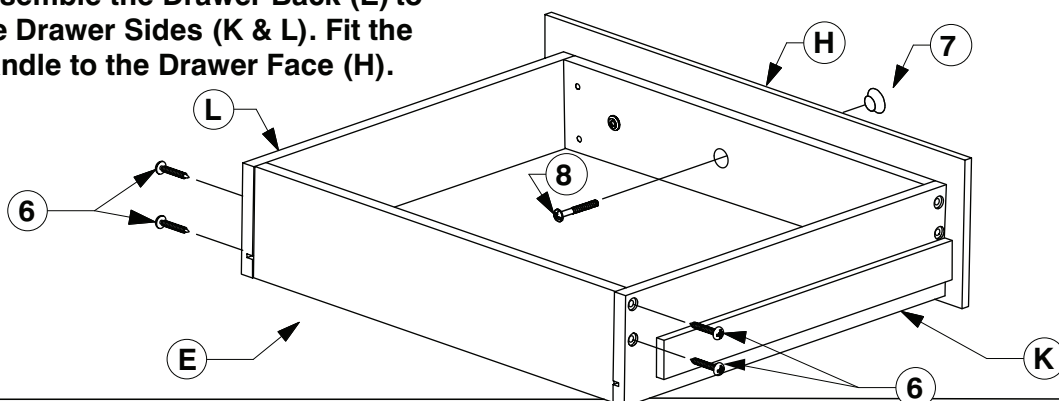
### 3 Assemble the Drawer Sides (K & L) to the Drawer Face (H).



### 4 Slide the Drawer Bottom (J) into the groove on the Drawer Sides (K & L).



### 5 Assemble the Drawer Back (E) to the Drawer Sides (K & L). Fit the Handle to the Drawer Face (H).

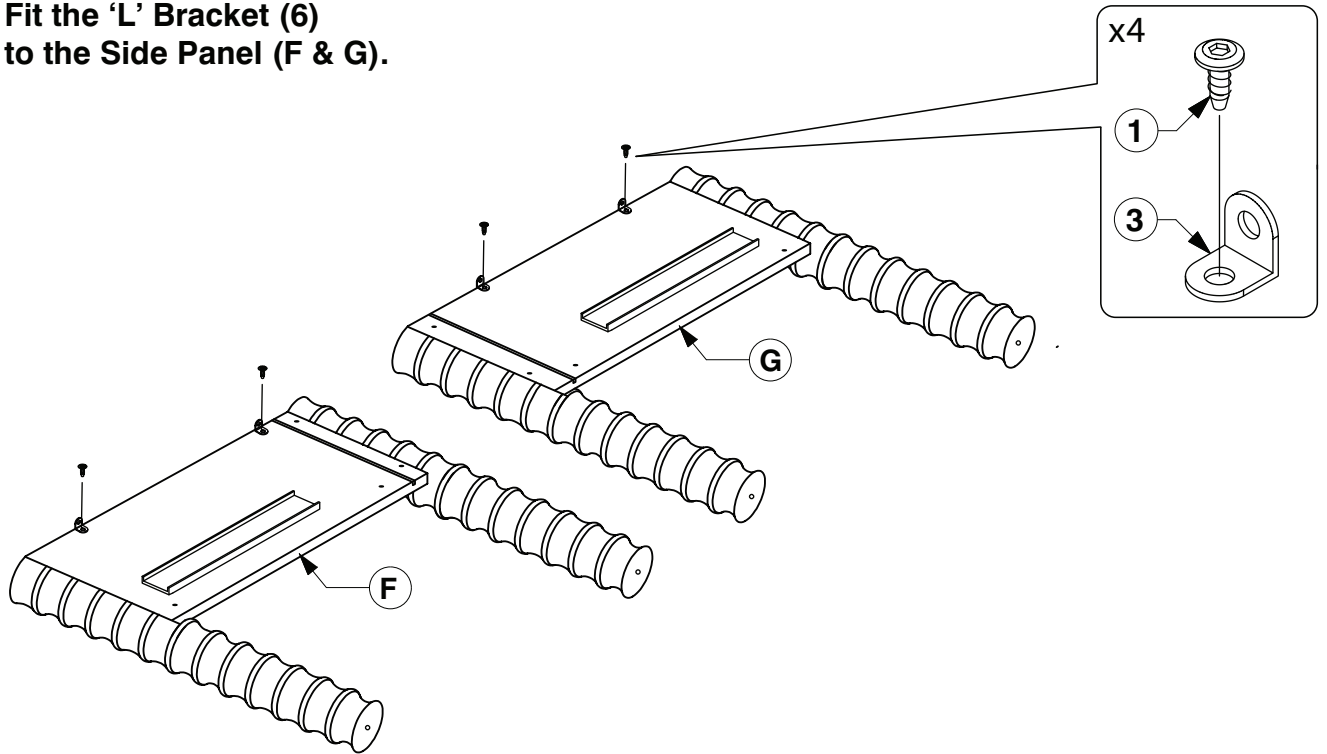


# 9020 1 Drawer Night Stand

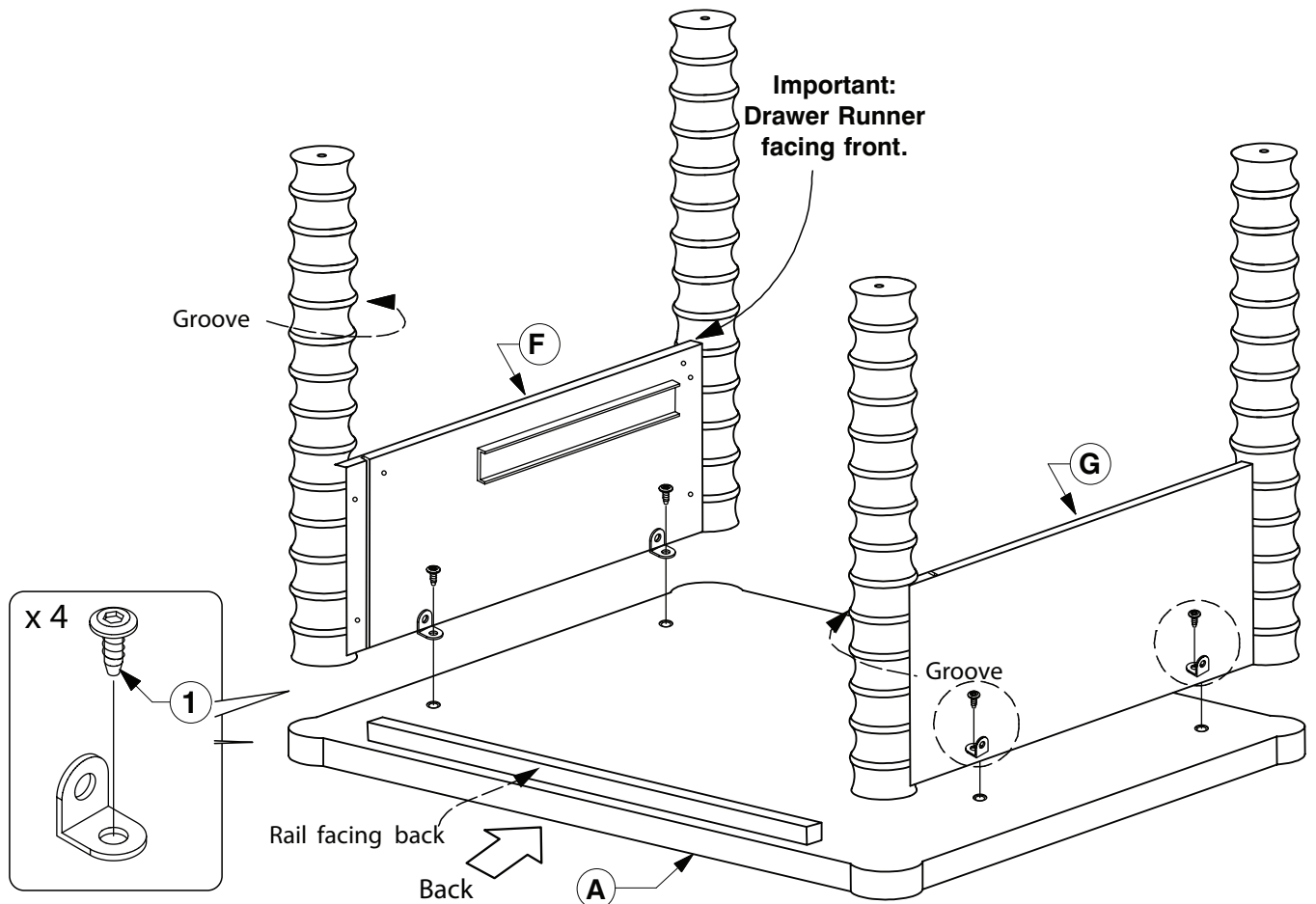
## Assembly Instructions

WI-0925

- 6** Fit the 'L' Bracket (6) to the Side Panel (F & G).



- 7** Assemble the Side Panel (F & G) to the Top Panel (A).

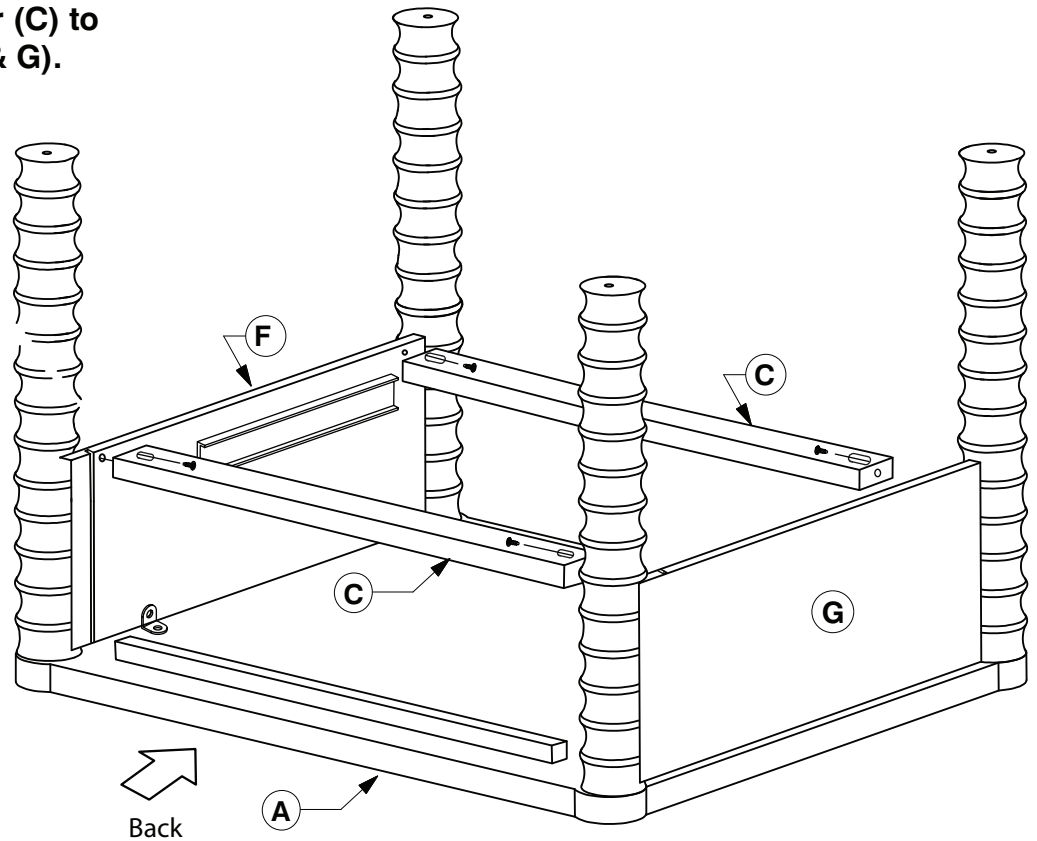
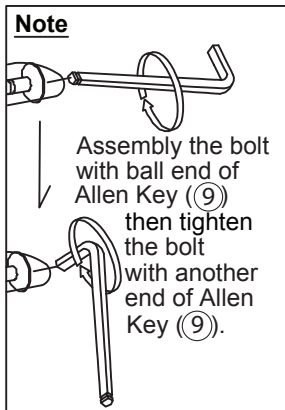
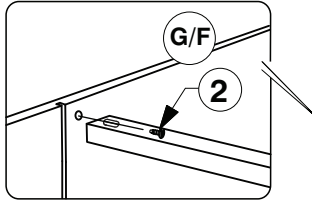


# 9020 1 Drawer Night Stand

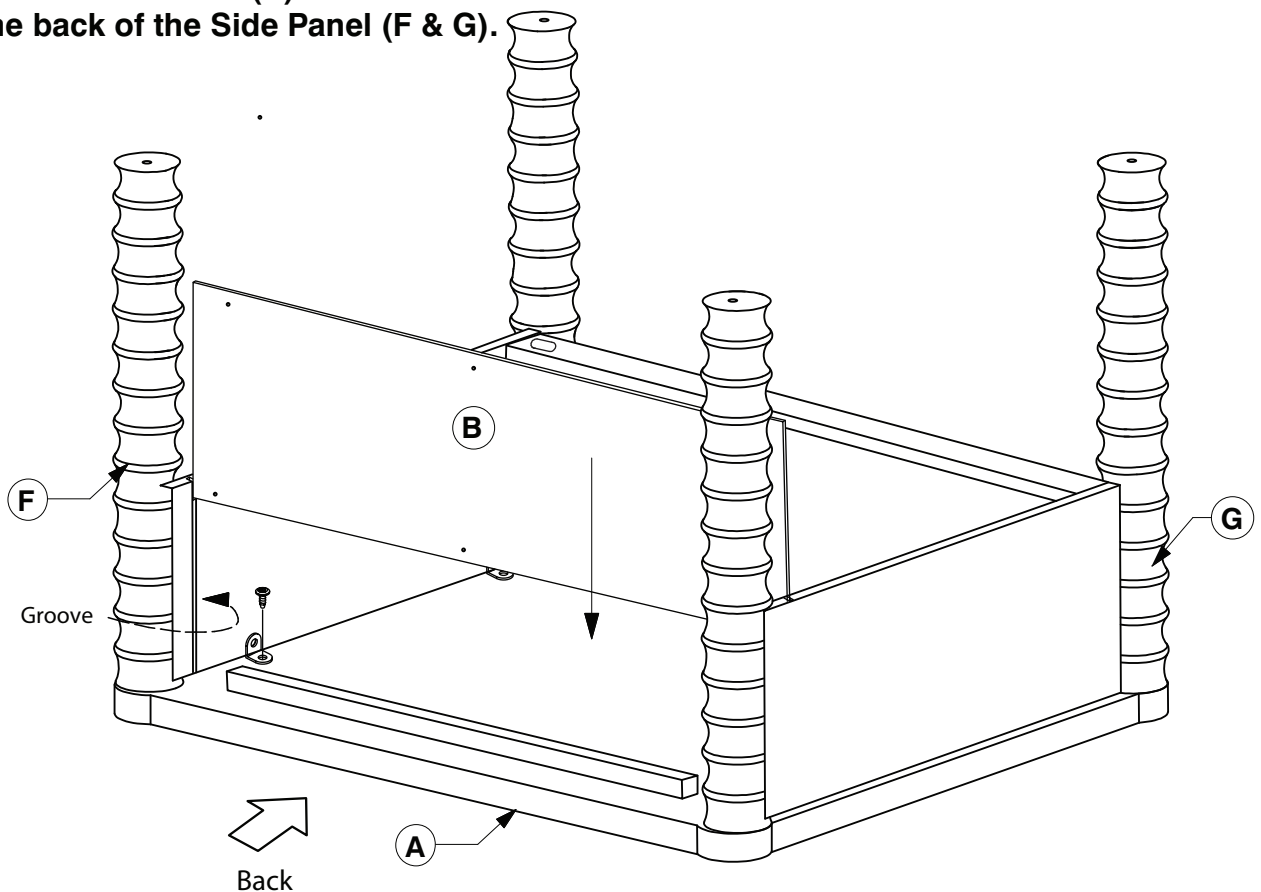
## Assembly Instructions

WI-0925

- 8** Fit the Support Bar (C) to the Side Panel (F & G).



- 9** Slide the Back Panel (B) into the Groove on the back of the Side Panel (F & G).

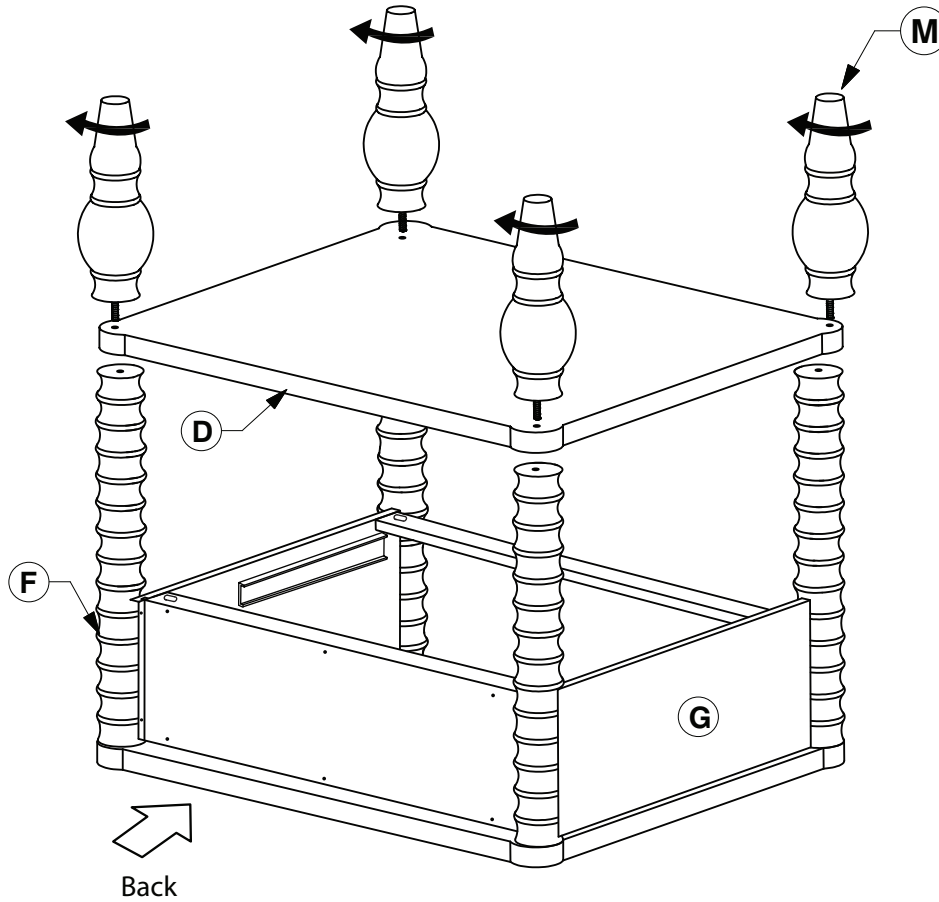


# 9020 1 Drawer Night Stand

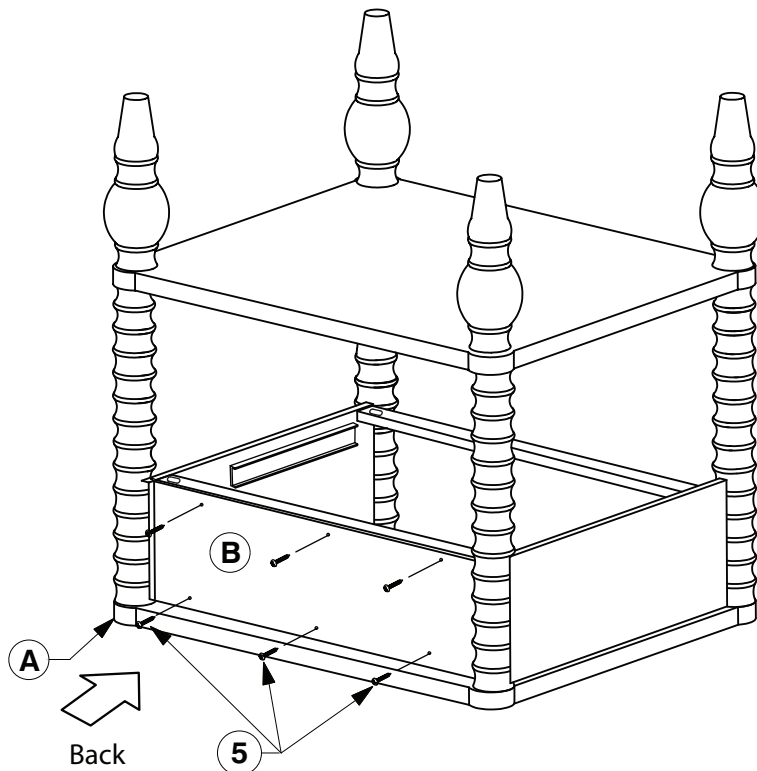
## Assembly Instructions

WI-0925

- 10** Fix the Post (M) and Bottom Panel (D) to the Side Panel (F & G).



- 11** Screw the Back Panel (B) to the Side Panel (F & G).

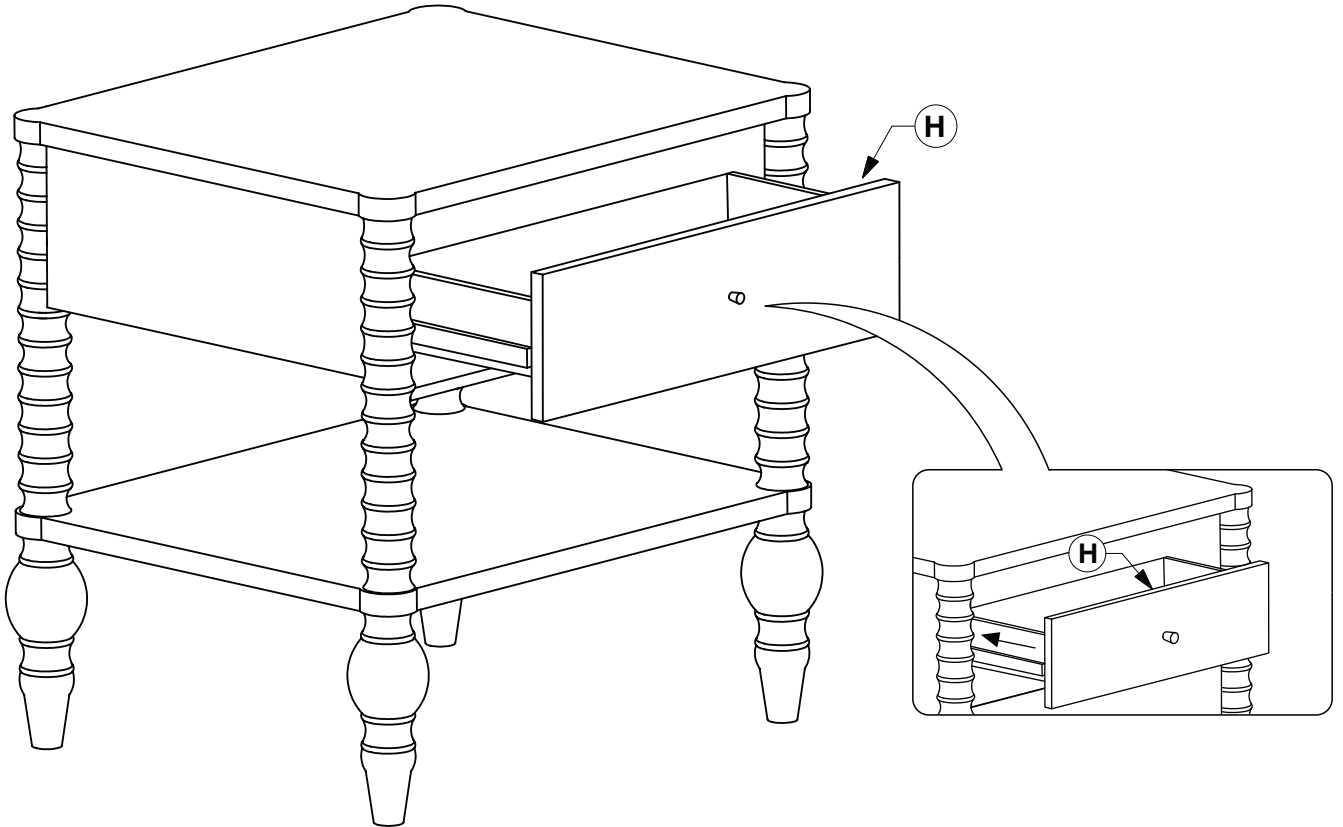


# 9020 1 Drawer Night Stand

## Assembly Instructions

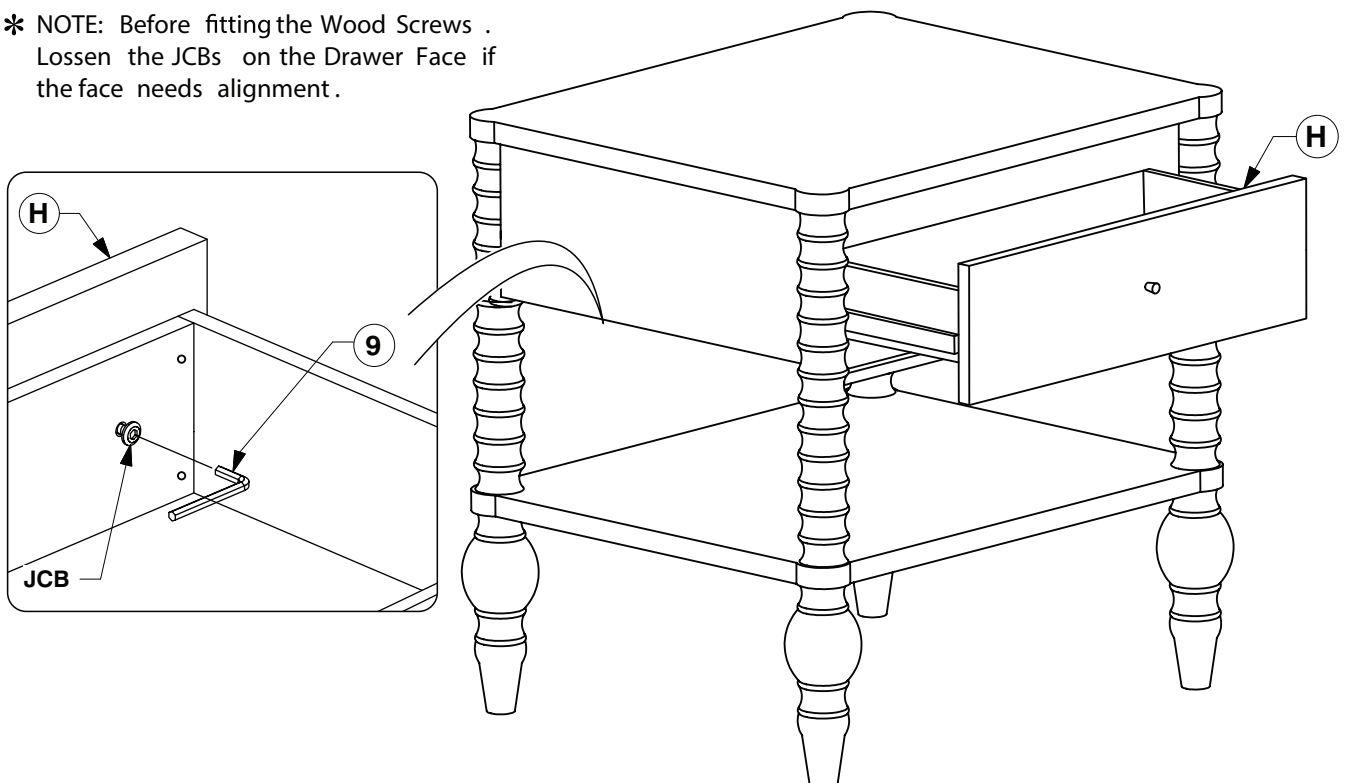
WI-0925

### 12 Fit the Drawer Face (H) to the Casegood Body.



### 13 Adjust the Drawer Face (H).

\* NOTE: Before fitting the Wood Screws .  
Loosen the JCBs on the Drawer Face if  
the face needs alignment .



# 9020 1 Drawer Night Stand

## Assembly Instructions

WI-0925

- 14** After the Drawer Faces (H) are aligned, secure with wood screws.

