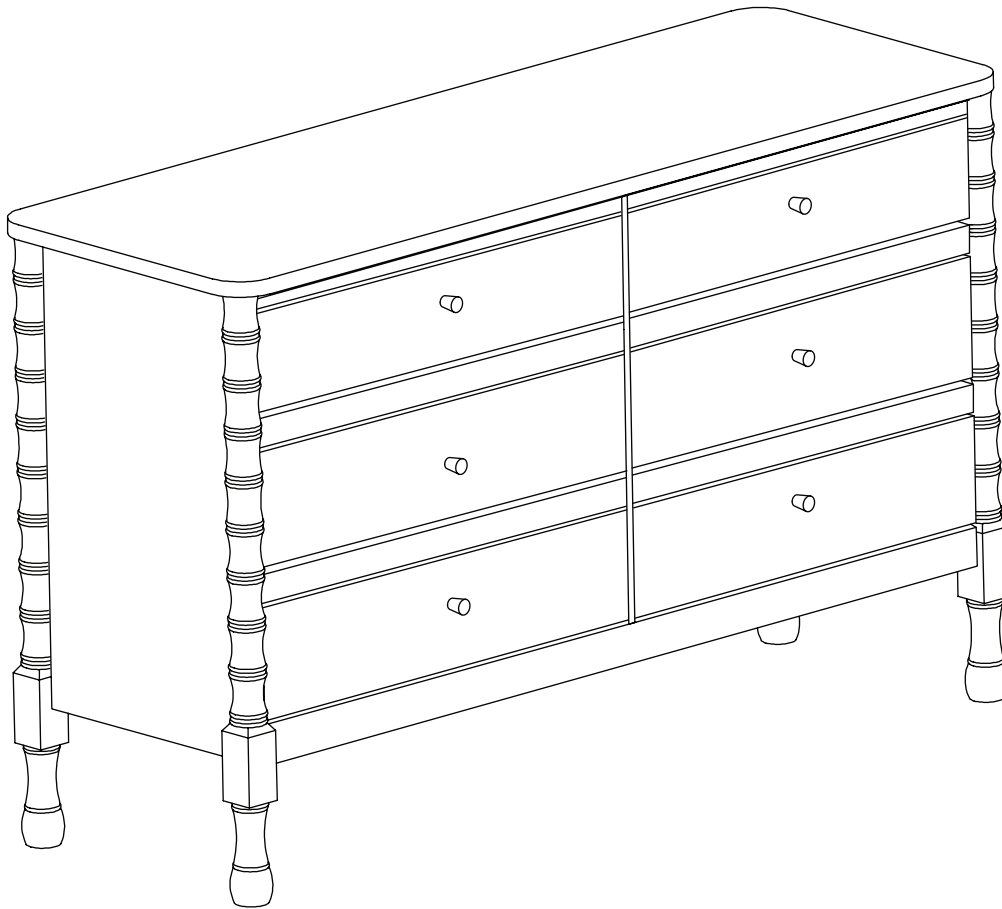
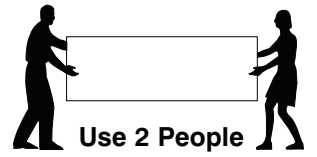


9017 6 Drawer Dresser

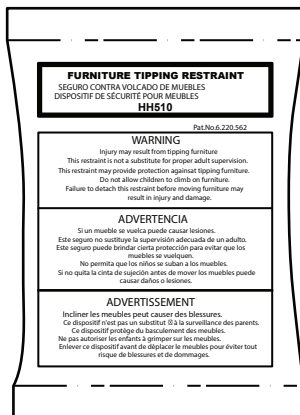
Assembly Instructions

WI-0425



Note: Do not assemble using power tools. This can cause the bolts to be overtightened

WARNING



Anti Tipping Kit
Anti Tipping Kit x 1



Children have died from furniture tipover.

To reduce the risk of furniture tipover:

- ALWAYS install anti-tip device provided.
- NEVER put a TV on this product.
- NEVER allow children to stand, climb, or hang on any drawers, doors or shelves.
- NEVER open more than one drawer at a time.
- DO NOT defeat or remove the drawer interlock system; it is an important stability and safety system.
- Place heaviest items in the lowest drawer.

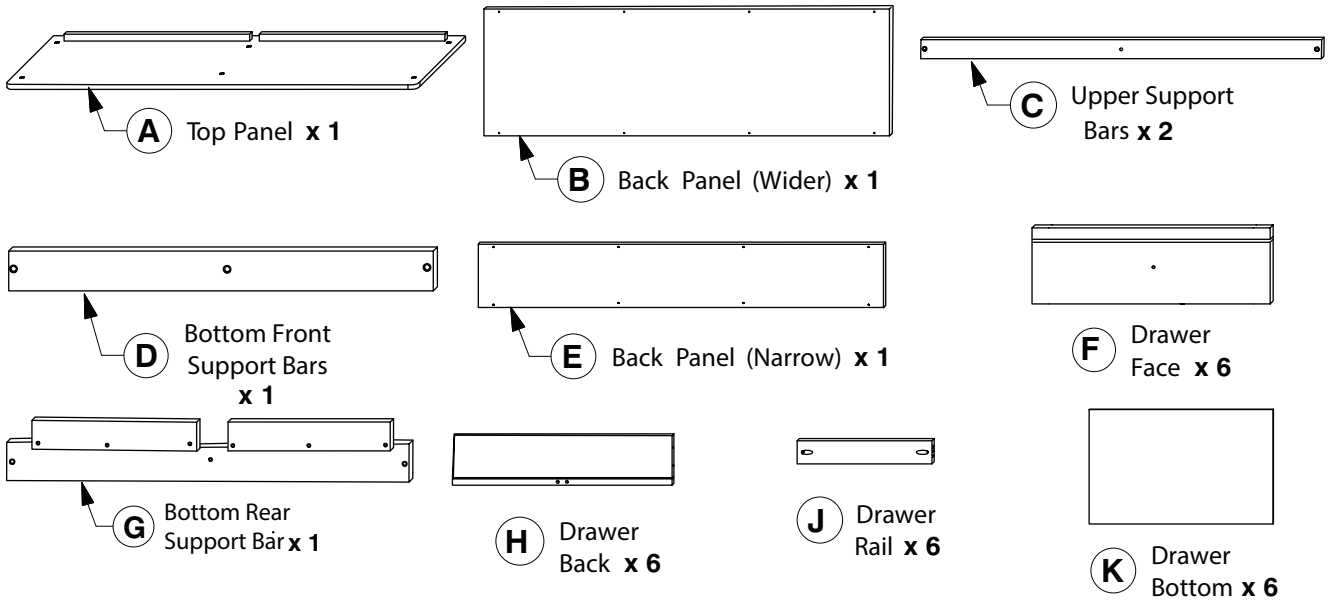
9017 6 Drawer Dresser

Assembly Instructions

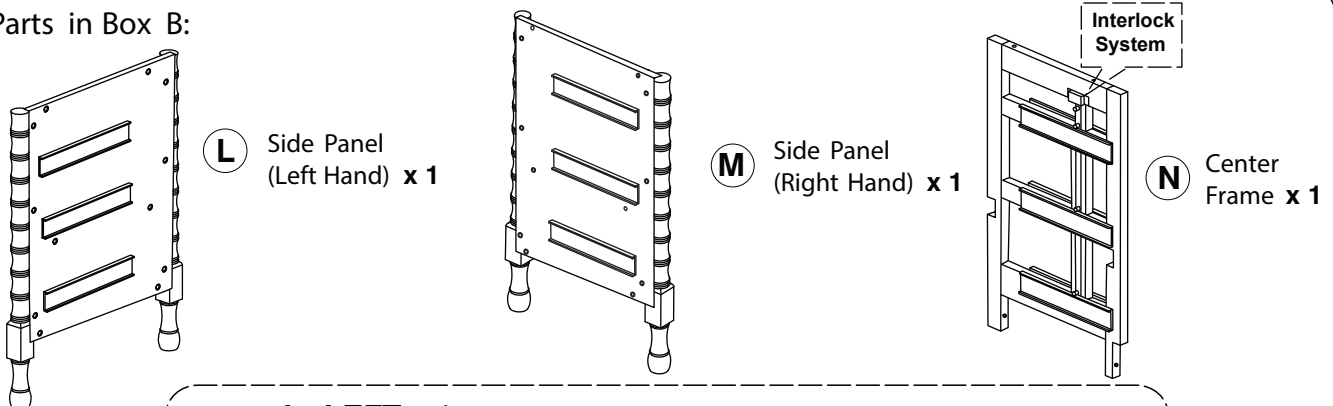
WI-0424

1 Parts List

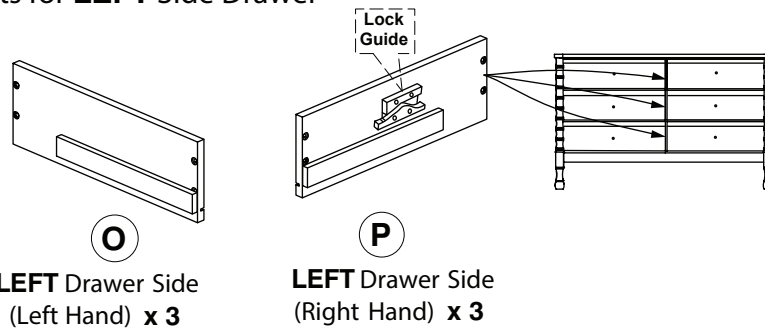
Parts in Box A:



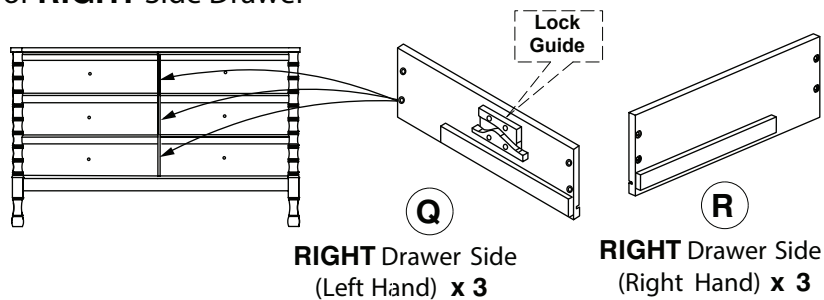
Parts in Box B:



Parts for **LEFT** Side Drawer



Parts for **RIGHT** Side Drawer



9017 6 Drawer Dresser

Assembly Instructions

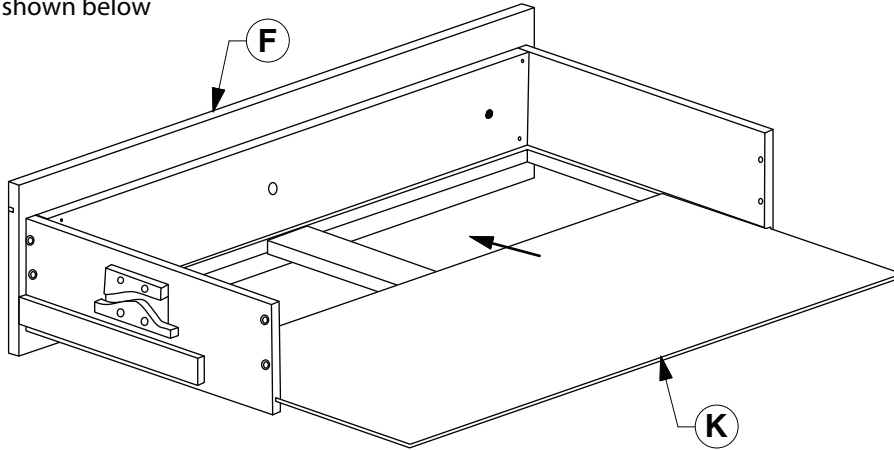
WI-0425

3 Assemble the Drawers.

STEP 3.2

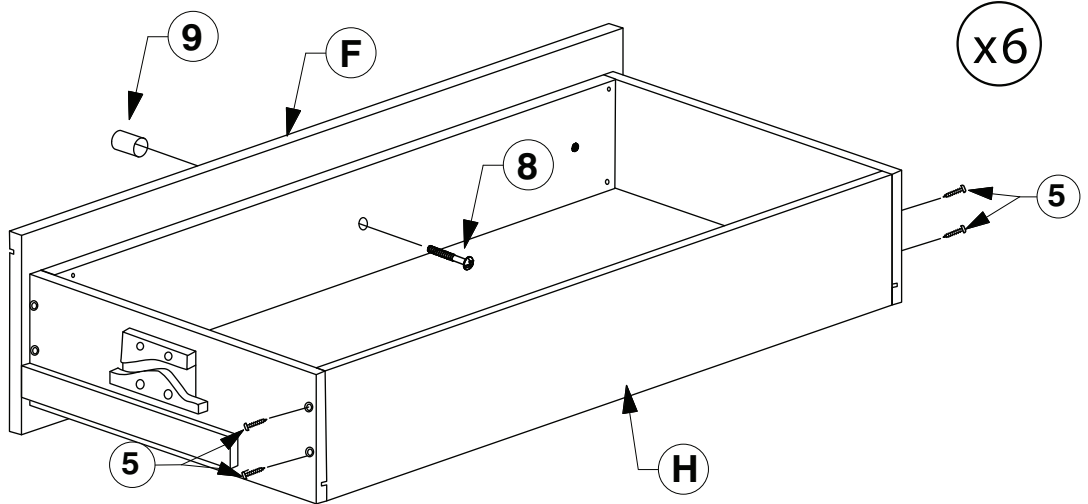
x6

* 3 Assemble the left and right drawers as shown below



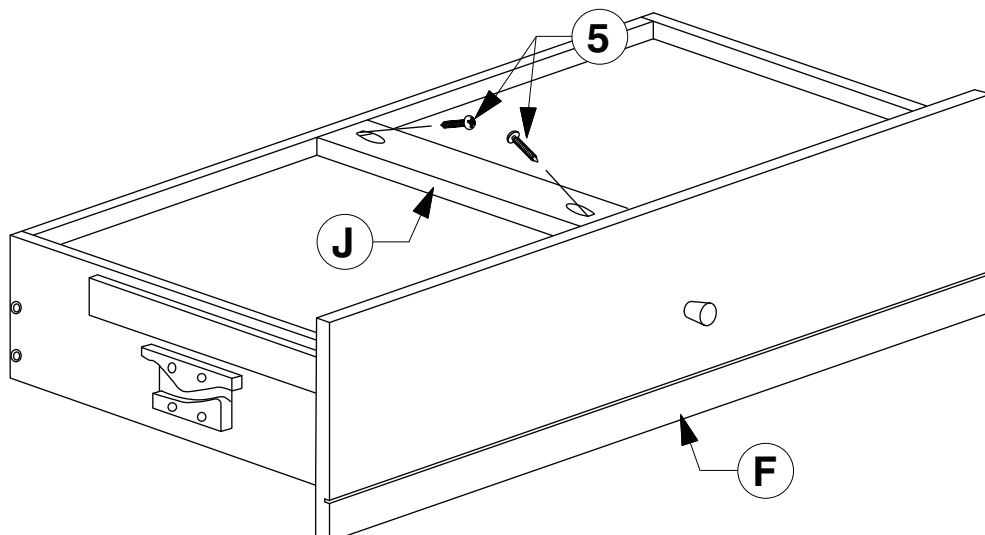
STEP 3.3

x6



STEP 3.4

x6

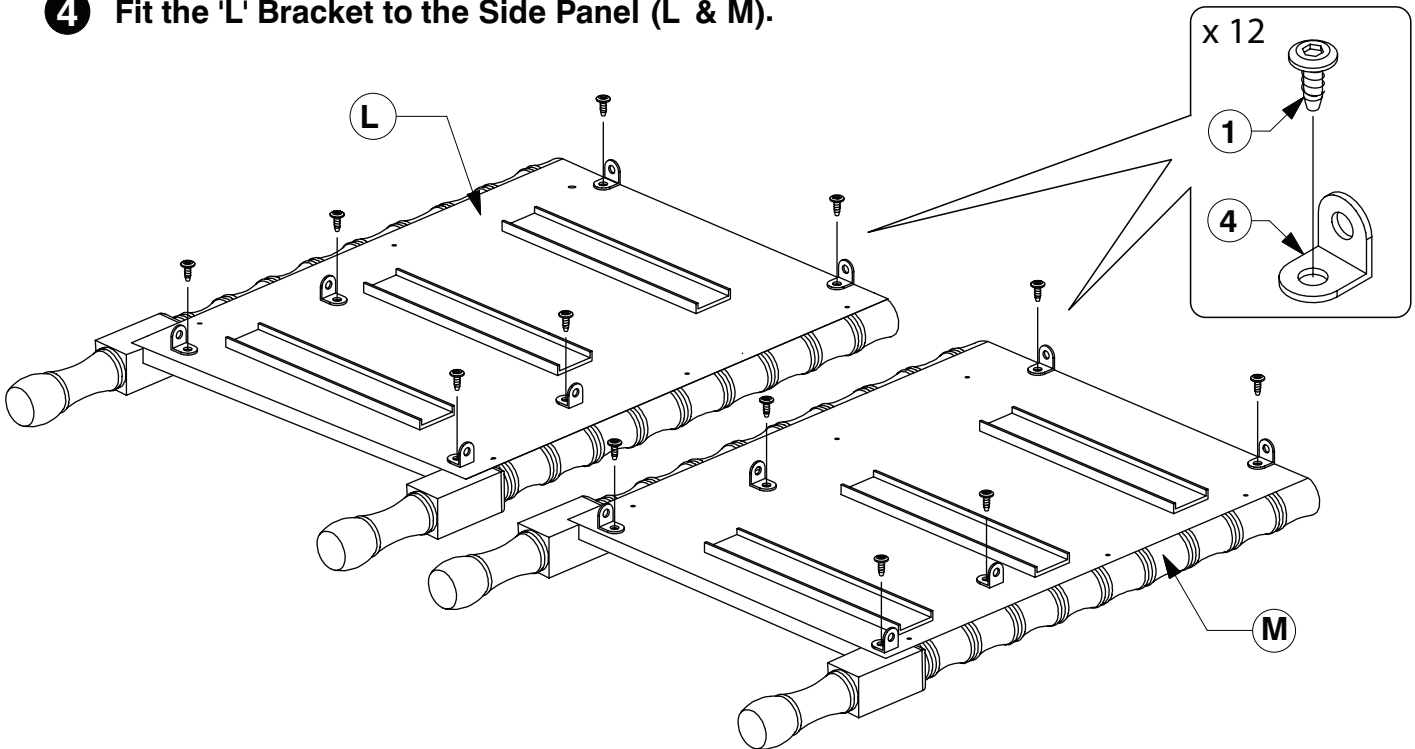


9017 6 Drawer Dresser

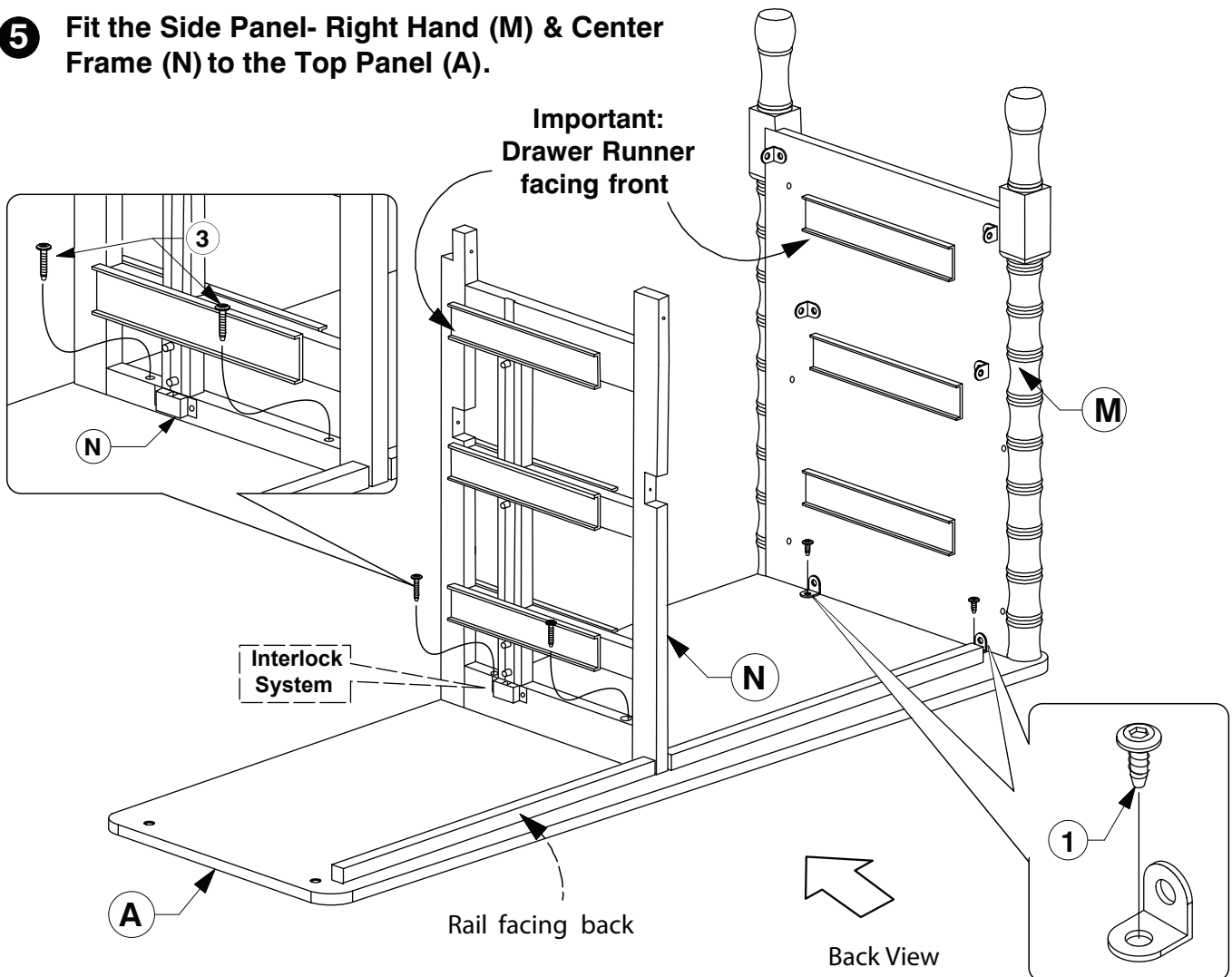
Assembly Instructions

WI-0425

4 Fit the 'L' Bracket to the Side Panel (L & M).



5 Fit the Side Panel- Right Hand (M) & Center Frame (N) to the Top Panel (A).

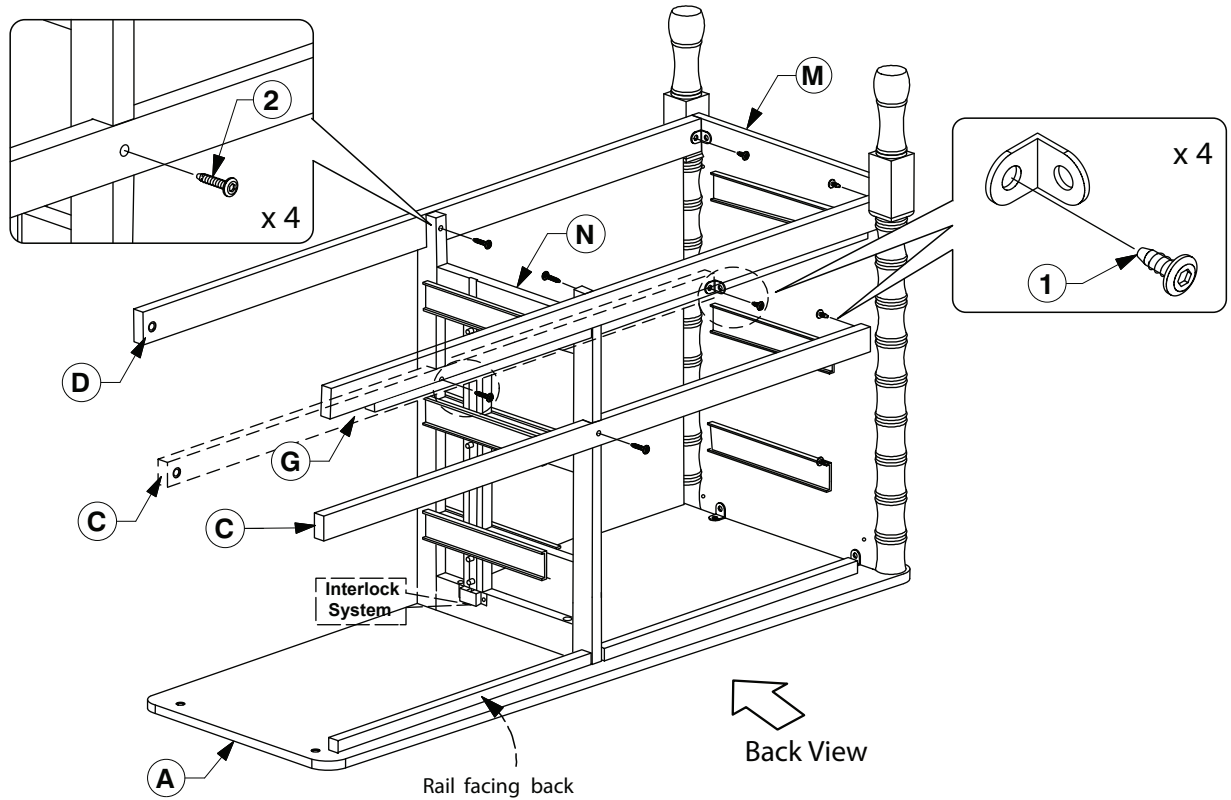


9017 6 Drawer Dresser

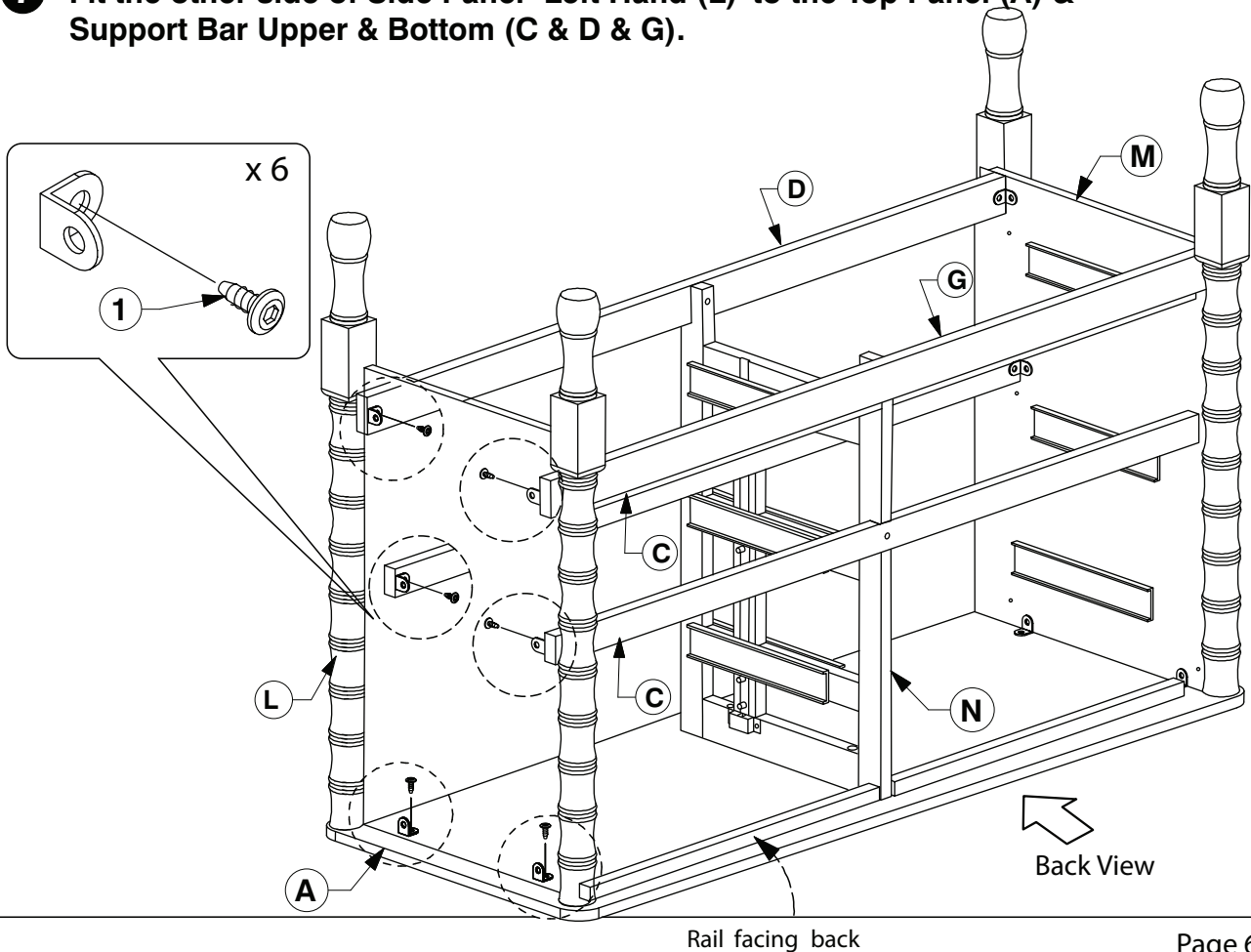
Assembly Instructions

WI-0425

- 6** Fit the Upper Support Bar (C) and Bottom Front & Rear Support Bars (D & G) to the Side Panel-Right Hand (M) & Center Frame (N) as shown.



- 7** Fit the other side of Side Panel- Left Hand (L) to the Top Panel (A) & Support Bar Upper & Bottom (C & D & G).

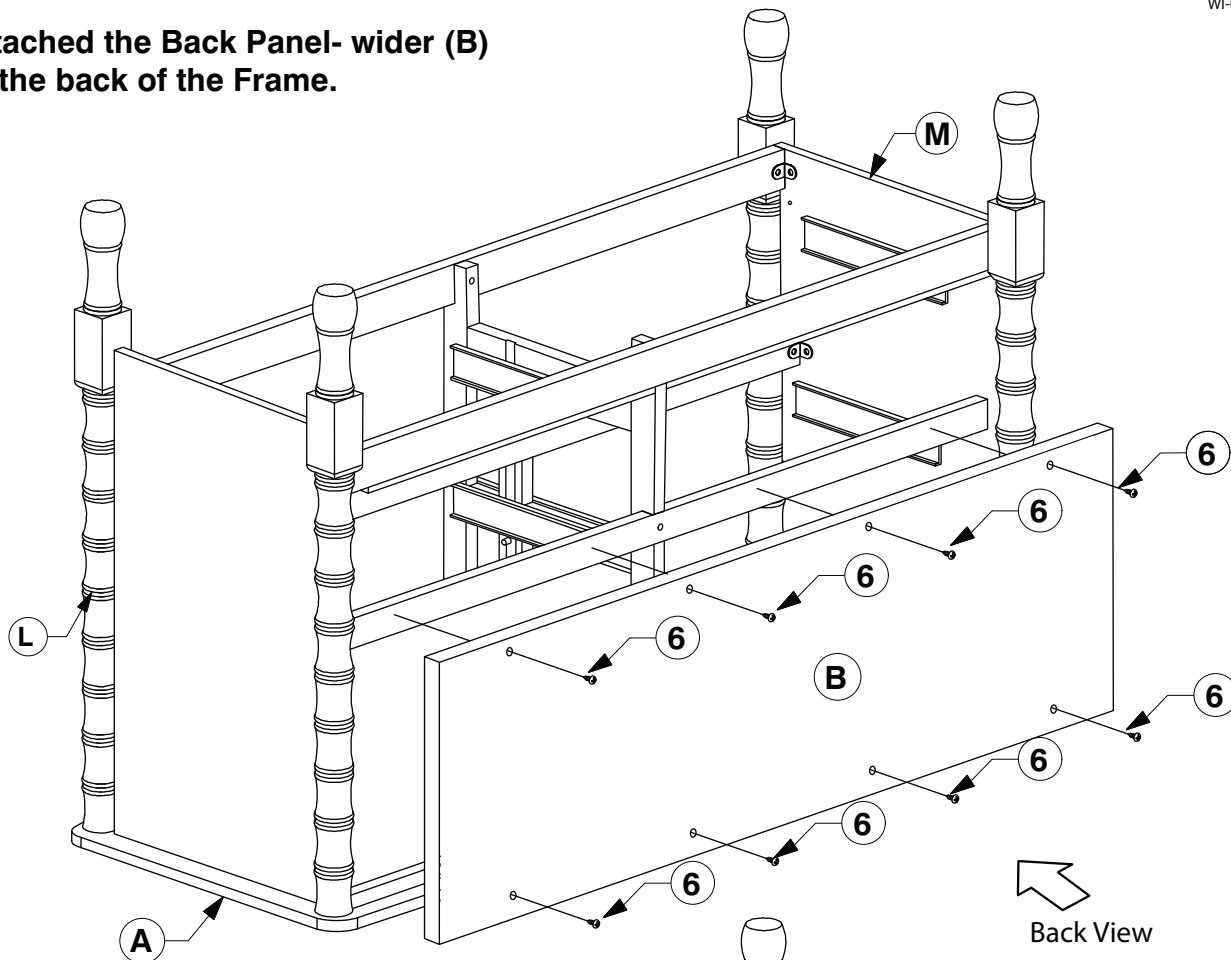


9017 6 Drawer Dresser

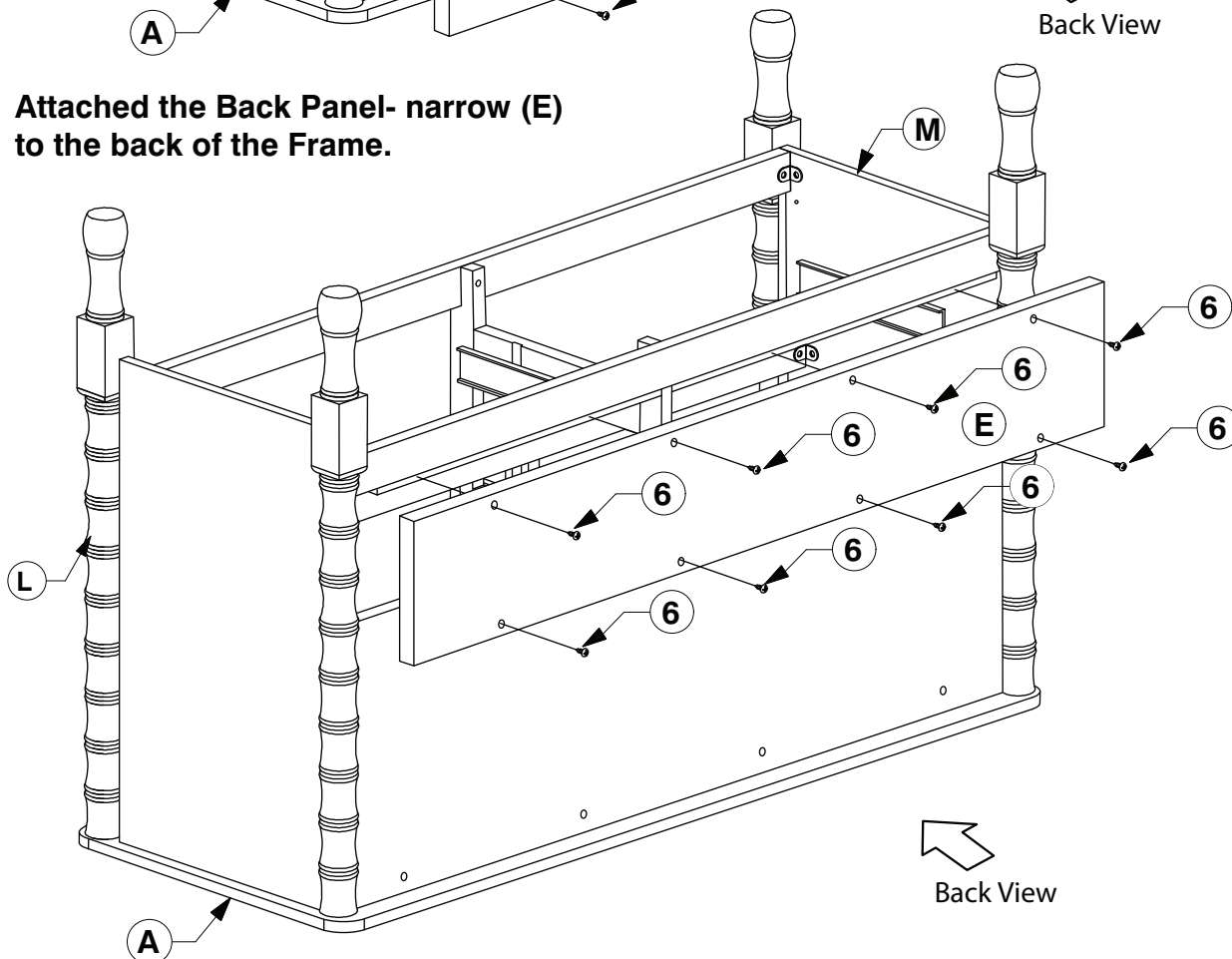
Assembly Instructions

WI-0425

- 8** Attached the Back Panel- wider (B) to the back of the Frame.



- 9** Attached the Back Panel- narrow (E) to the back of the Frame.



9017 6 Drawer Dresser

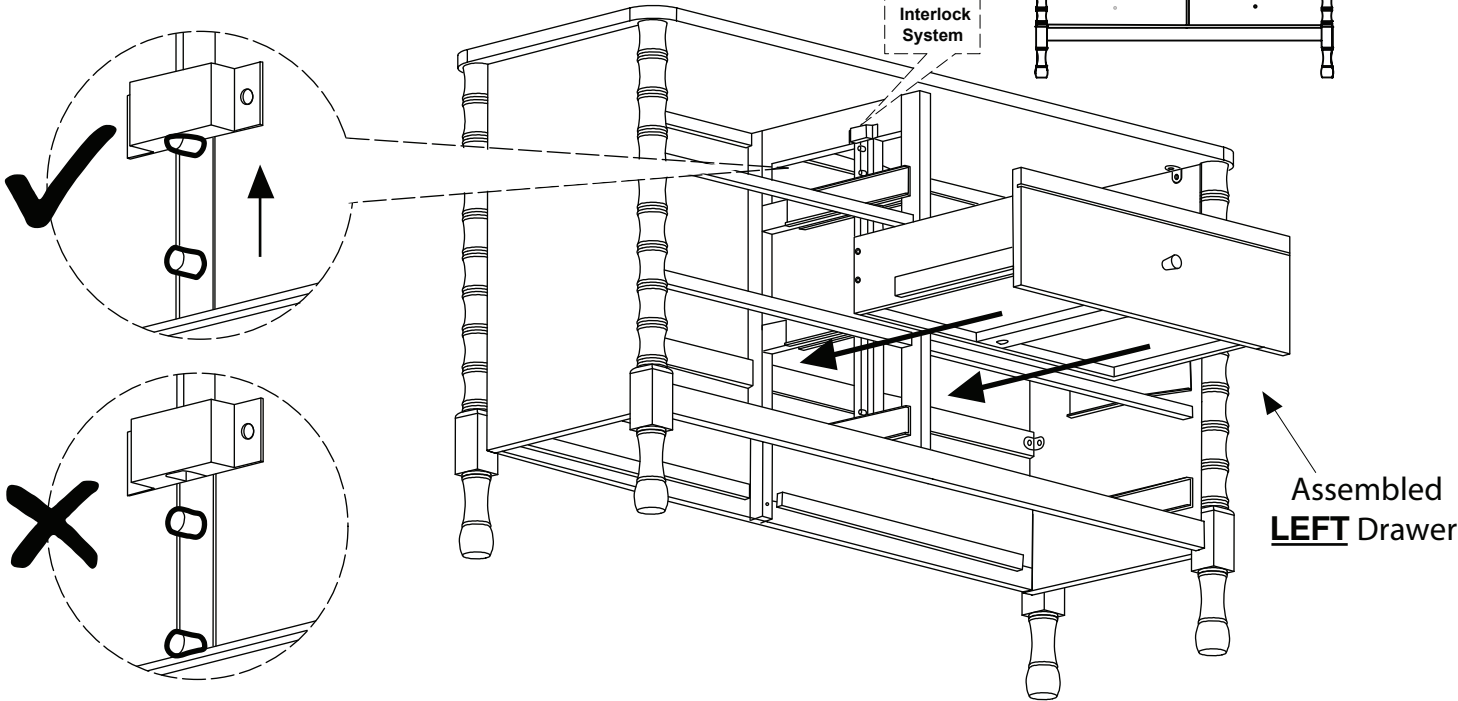
Assembly Instructions

WI-0425

10 Install the Drawers.

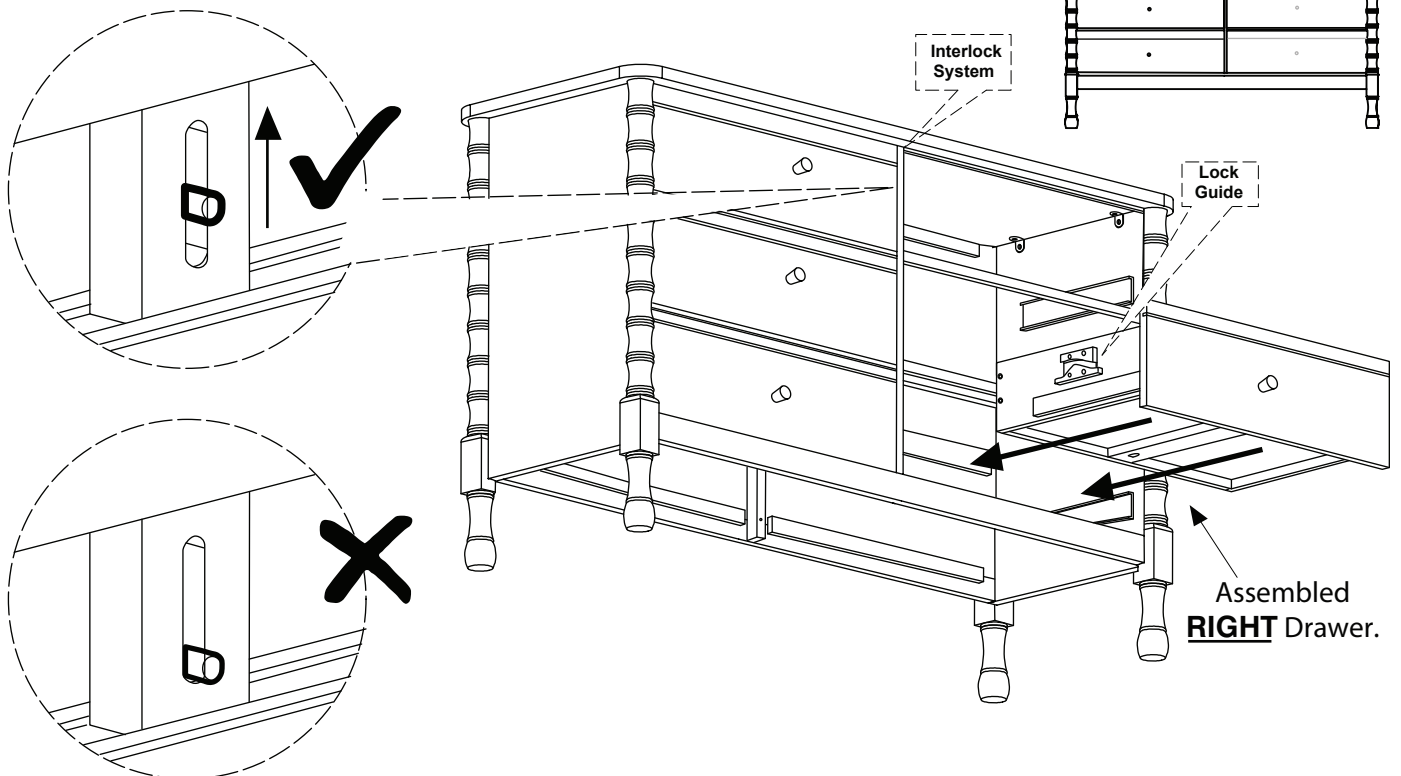
- Push the Interlock bar **upwards** before inserting the drawers.

LEFT



- Push the Interlock bar **upwards** before inserting the drawers.

RIGHT



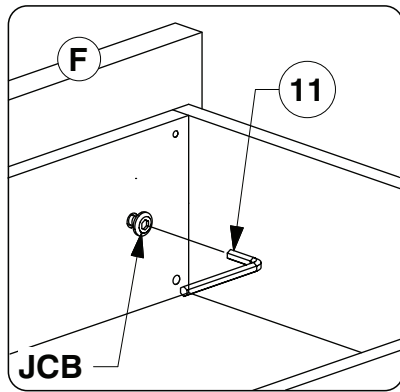
9017 6 Drawer Dresser

Assembly Instructions

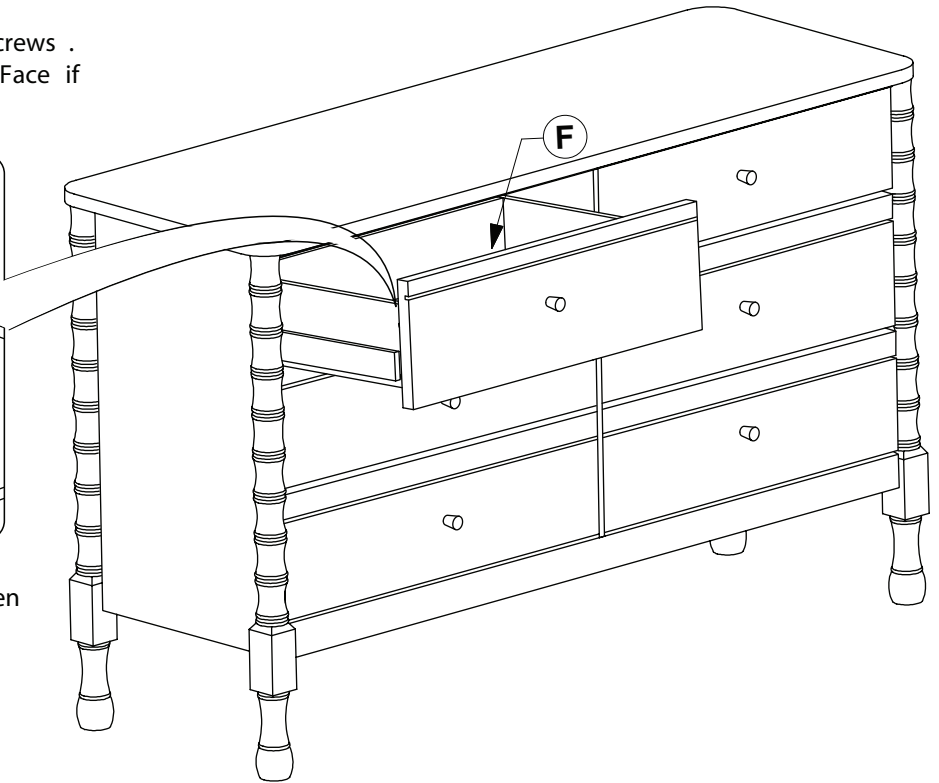
WI-0425

11 Adjust the Drawer Face (F).

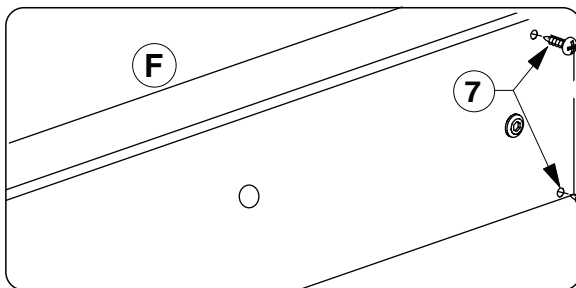
- * NOTE: Before fitting the Wood Screws .
Losen the JCBs on the Drawer Face if the face needs alignment.



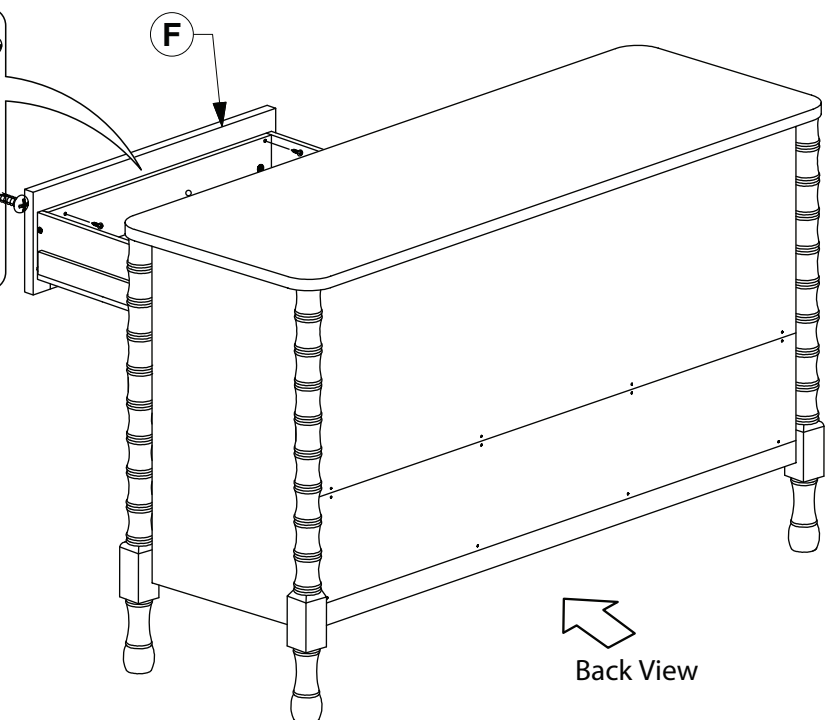
- * NOTE: Only one Drawer can be open at a time.



12 After the Drawer Faces (F) are aligned, secure with wood screws.



- * NOTE: Only one Drawer can be open at a time.



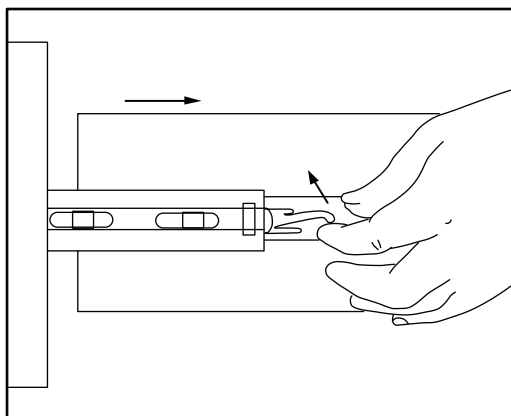
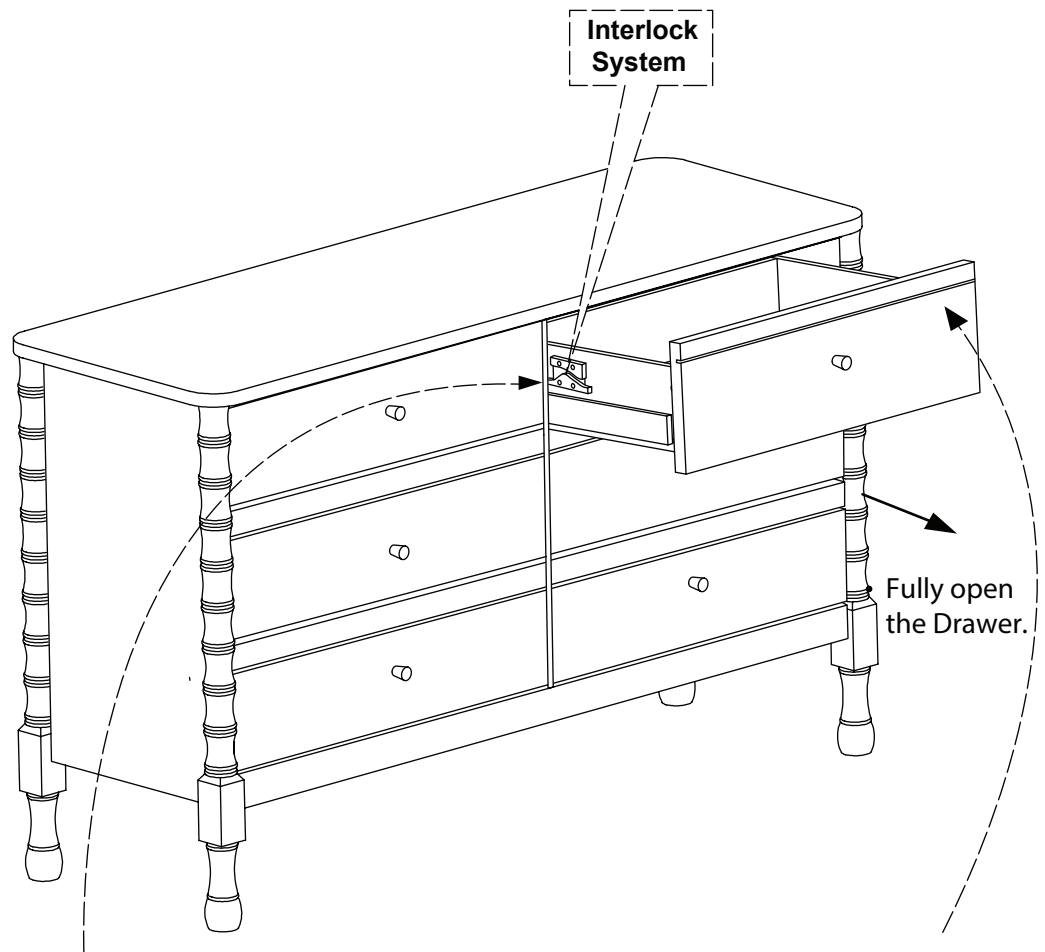
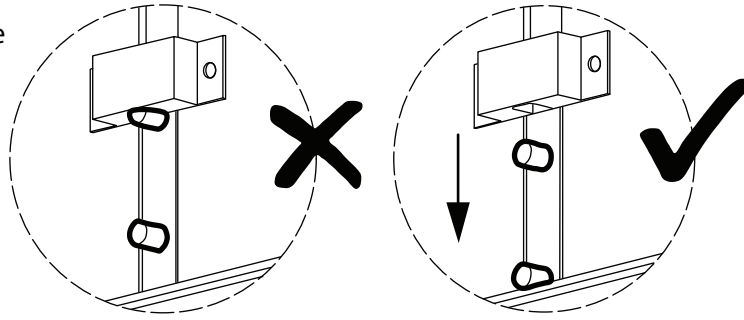
9017 6 Drawer Dresser

Assembly Instructions

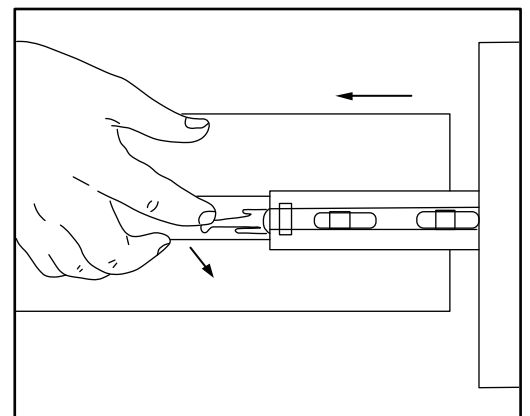
WI-0425

13 Remove the Drawers.

- After removing the top drawer, push the interlock bar **down**. Then remove the lower drawers.



- Lift the **LEFT** side clip **up**.



- Push the **RIGHT** side clip **down**.