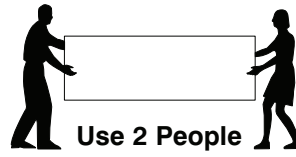
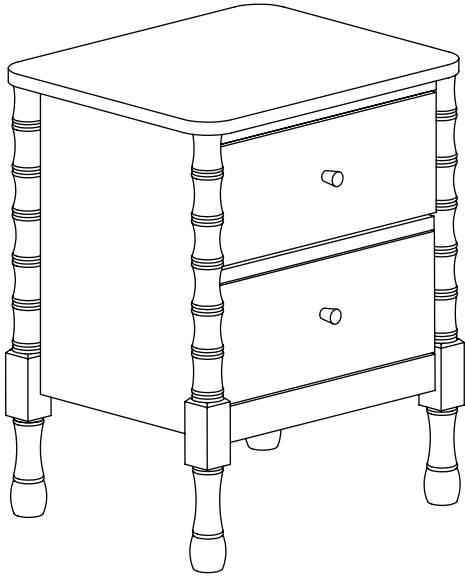


9017 2D Side Table

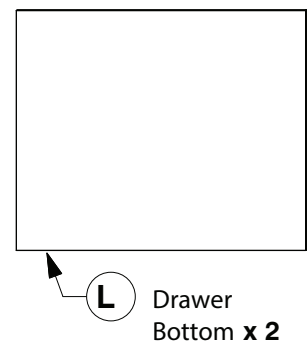
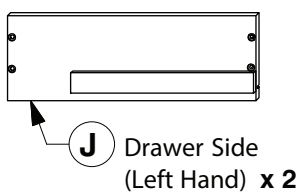
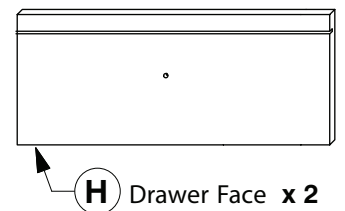
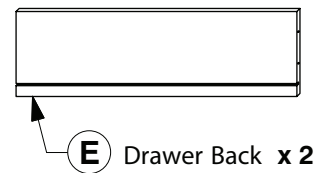
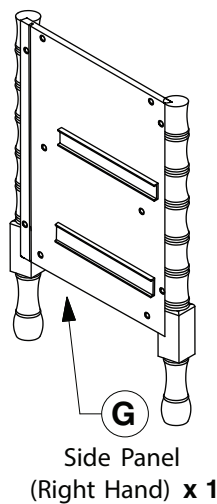
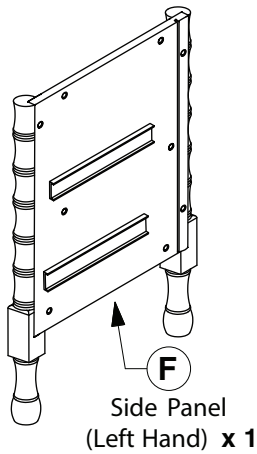
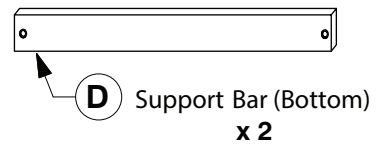
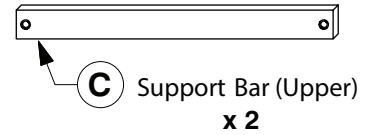
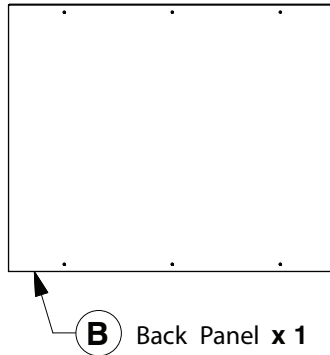
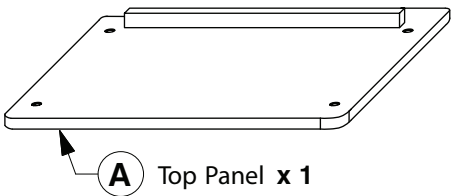
Assembly Instructions

WI-0425



Note: Do not assemble using power tools. This can cause the bolts to be overtightened

1 Parts List



9017 2D Side Table

Assembly Instructions

WI-0425

2 Hardware List

1 M6 x 15mm
JCB x 24

2 'L' Bracket
(5005-3) x 12

3 M4 x 25mm
Wood Screw x 16

4 M4 x 16mm
Wood Screw x 6

5 M4 x 20mm
Wood Screw x 8

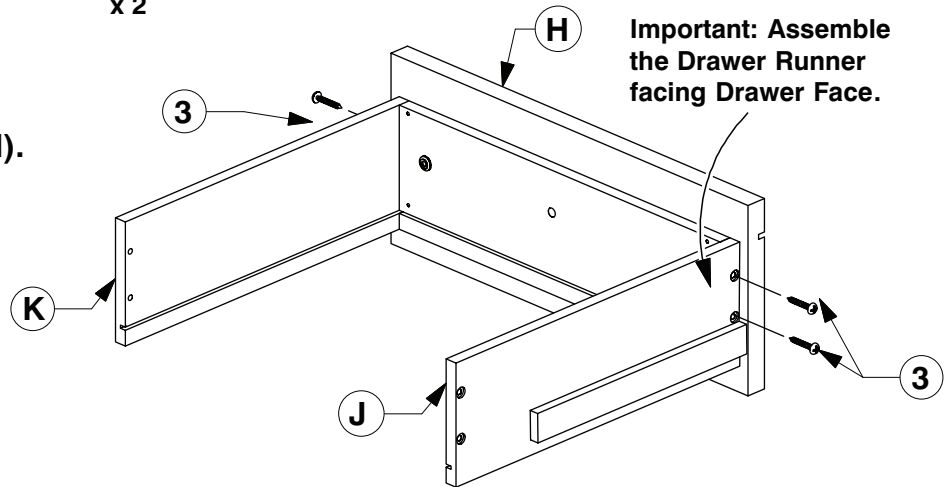
6 (1005)
Handle
x 2

7 M4 x 20mm
Wood Screw x 2

8 Allen Key
x 1

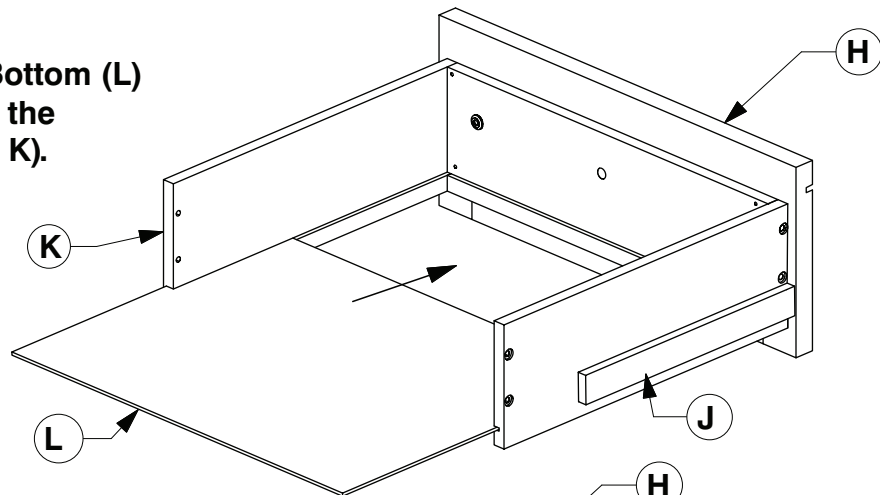
3 Assemble the Drawer Sides (J & K) to the Drawer Face (H).

x2



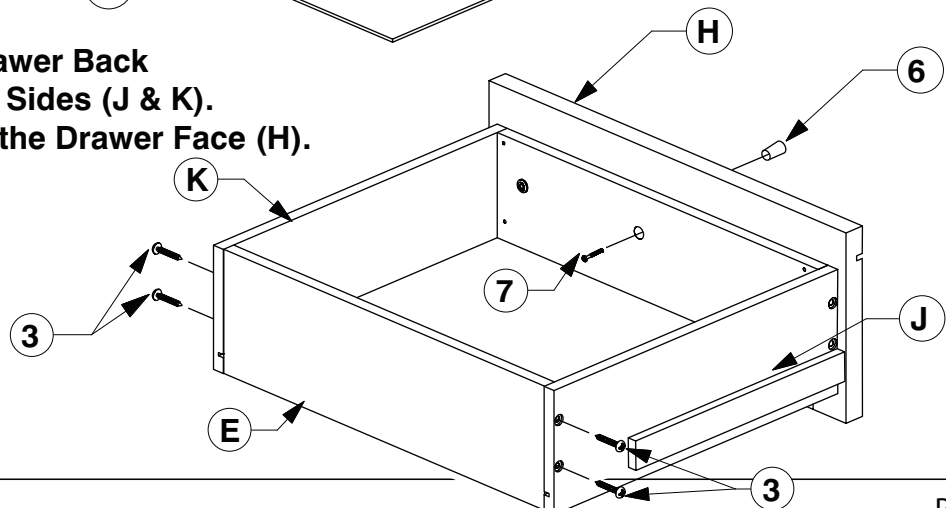
4 Slide the Drawer Bottom (L) into the groove on the Drawer Sides (J & K).

x2



5 Assemble the Drawer Back (E) to the Drawer Sides (J & K). Fit the Handle to the Drawer Face (H).

x2

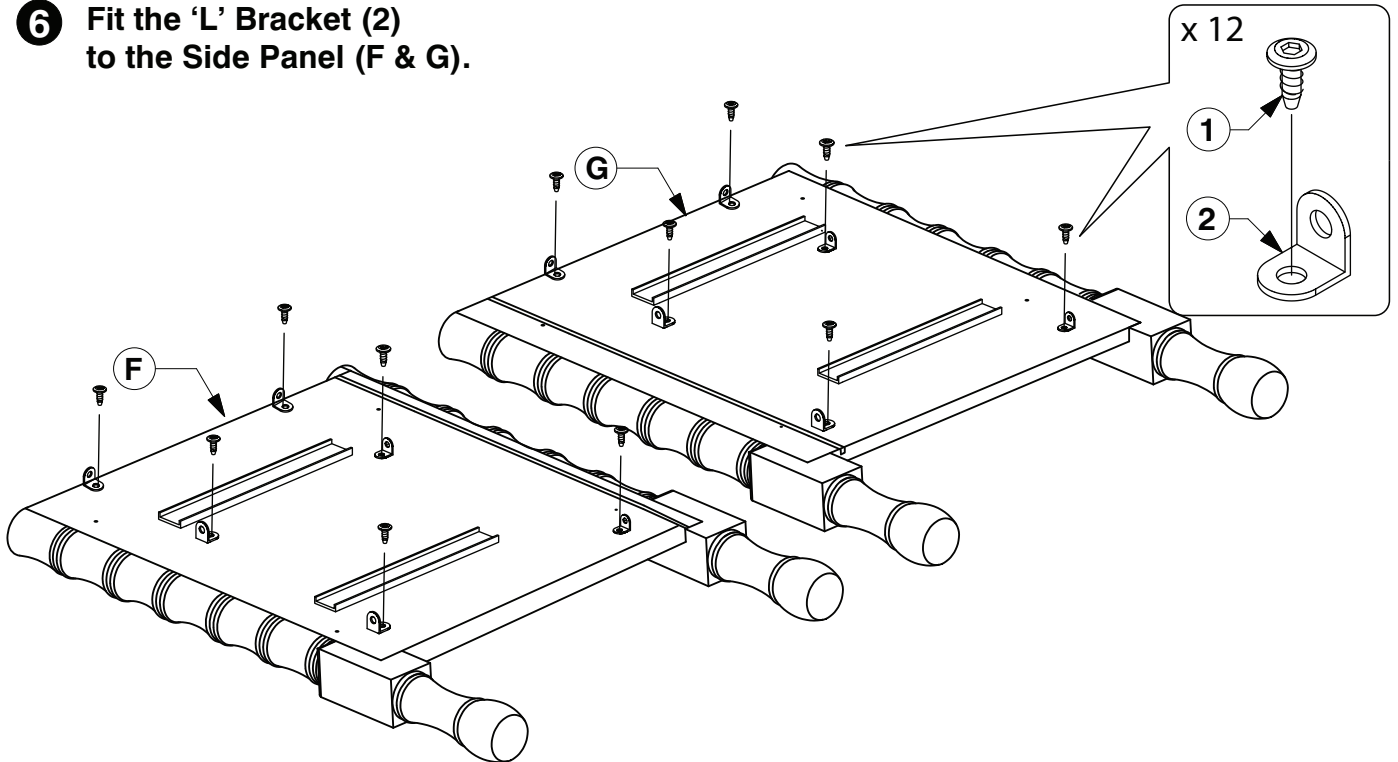


9017 2D Side Table

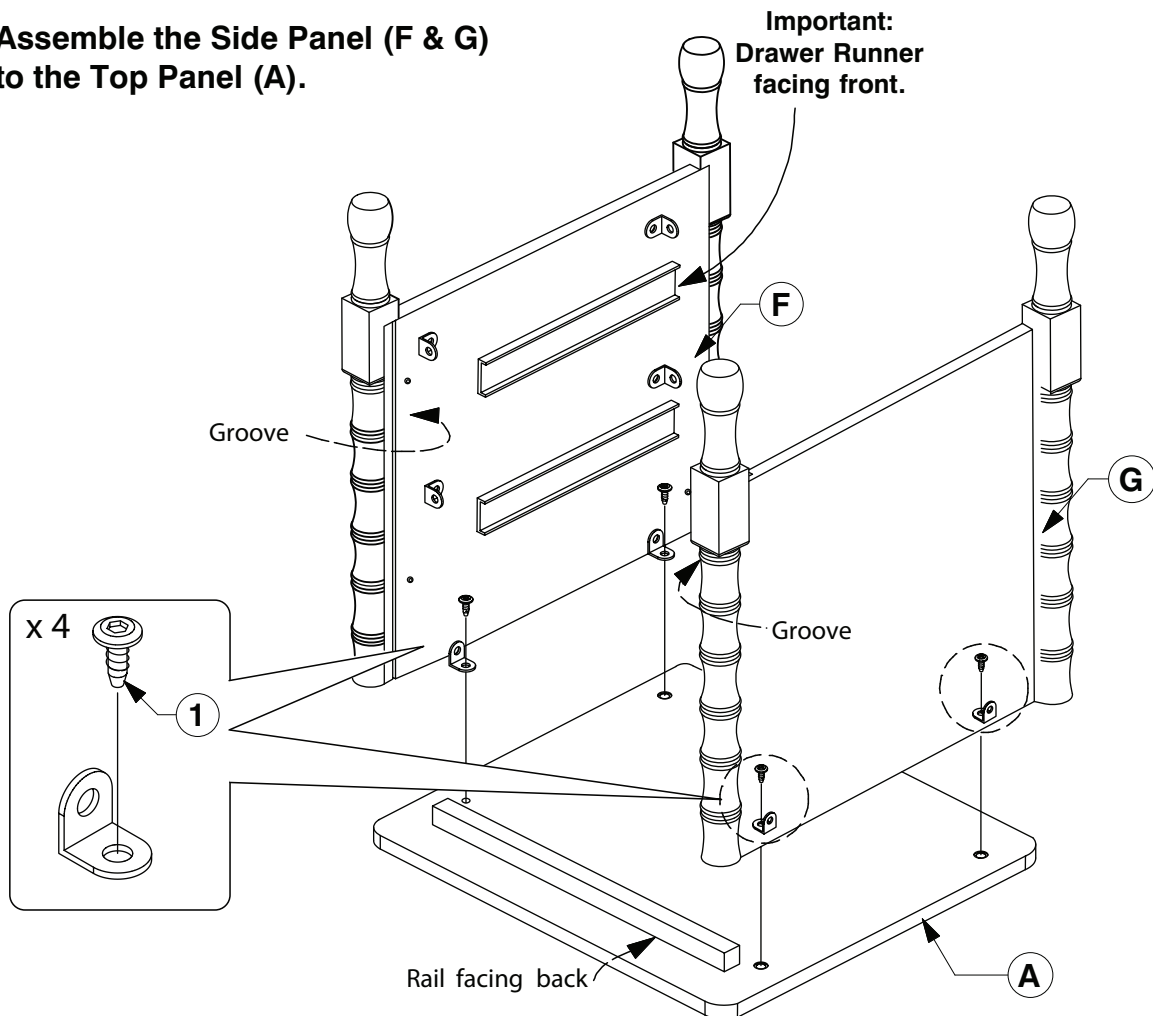
Assembly Instructions

WI-0425

- 6** Fit the 'L' Bracket (2) to the Side Panel (F & G).



- 7** Assemble the Side Panel (F & G) to the Top Panel (A).

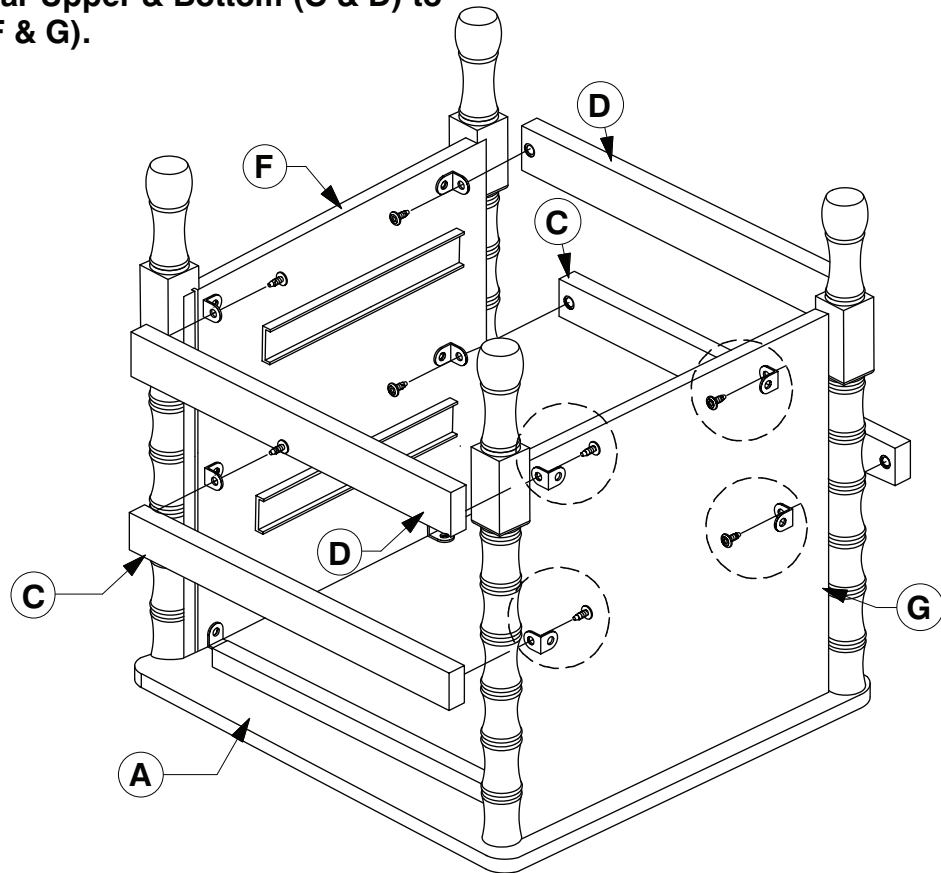


9017 2D Side Table

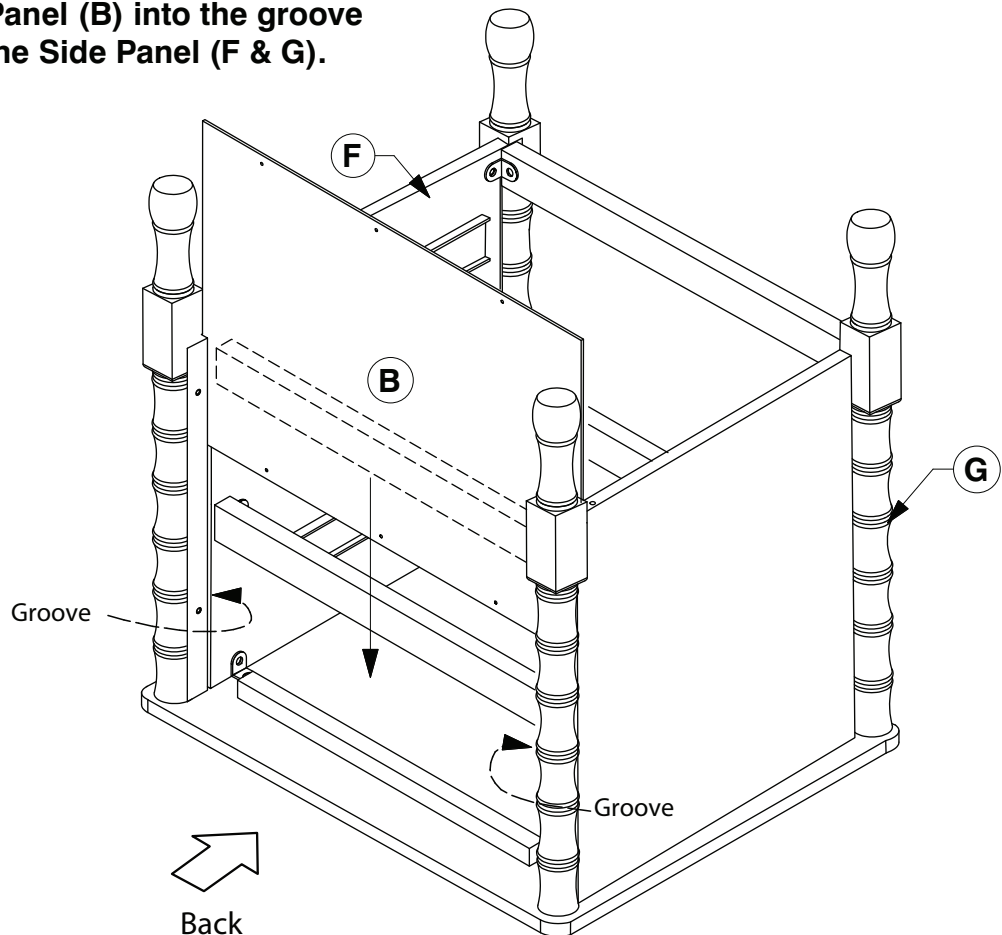
Assembly Instructions

WI-0425

- 8** Fit the Support Bar Upper & Bottom (C & D) to the Side Panel (F & G).



- 9** Slide the Back Panel (B) into the groove on the back of the Side Panel (F & G).

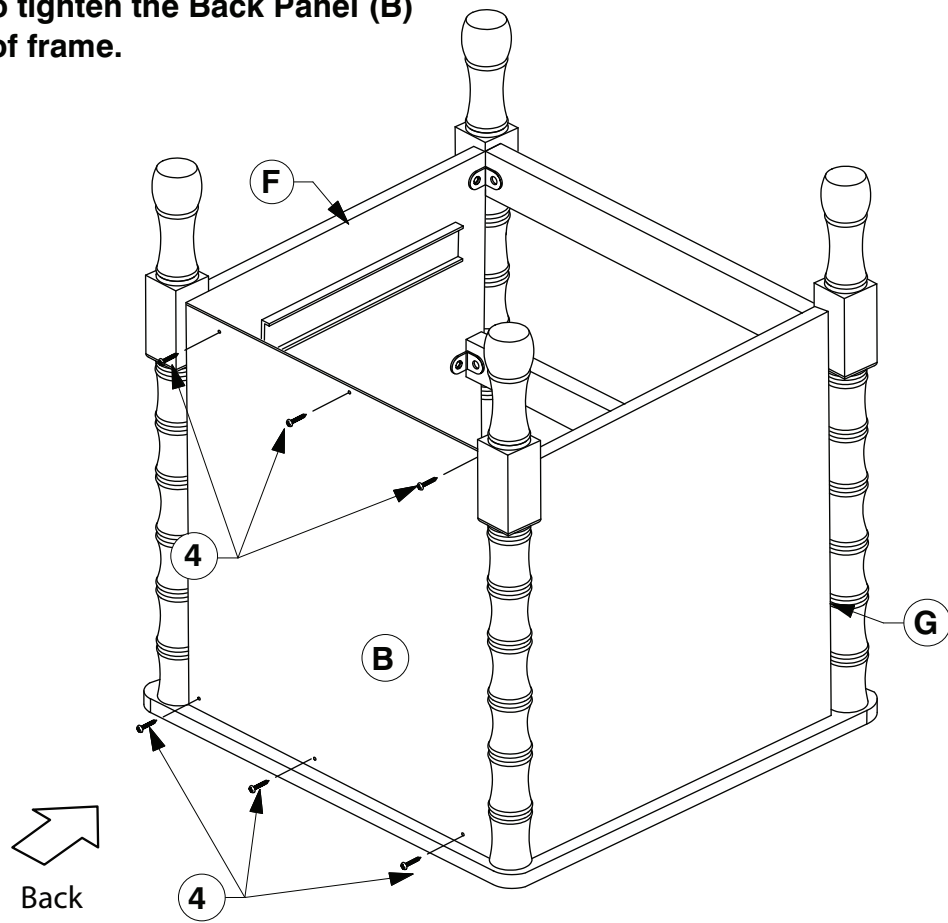


9017 2D Side Table

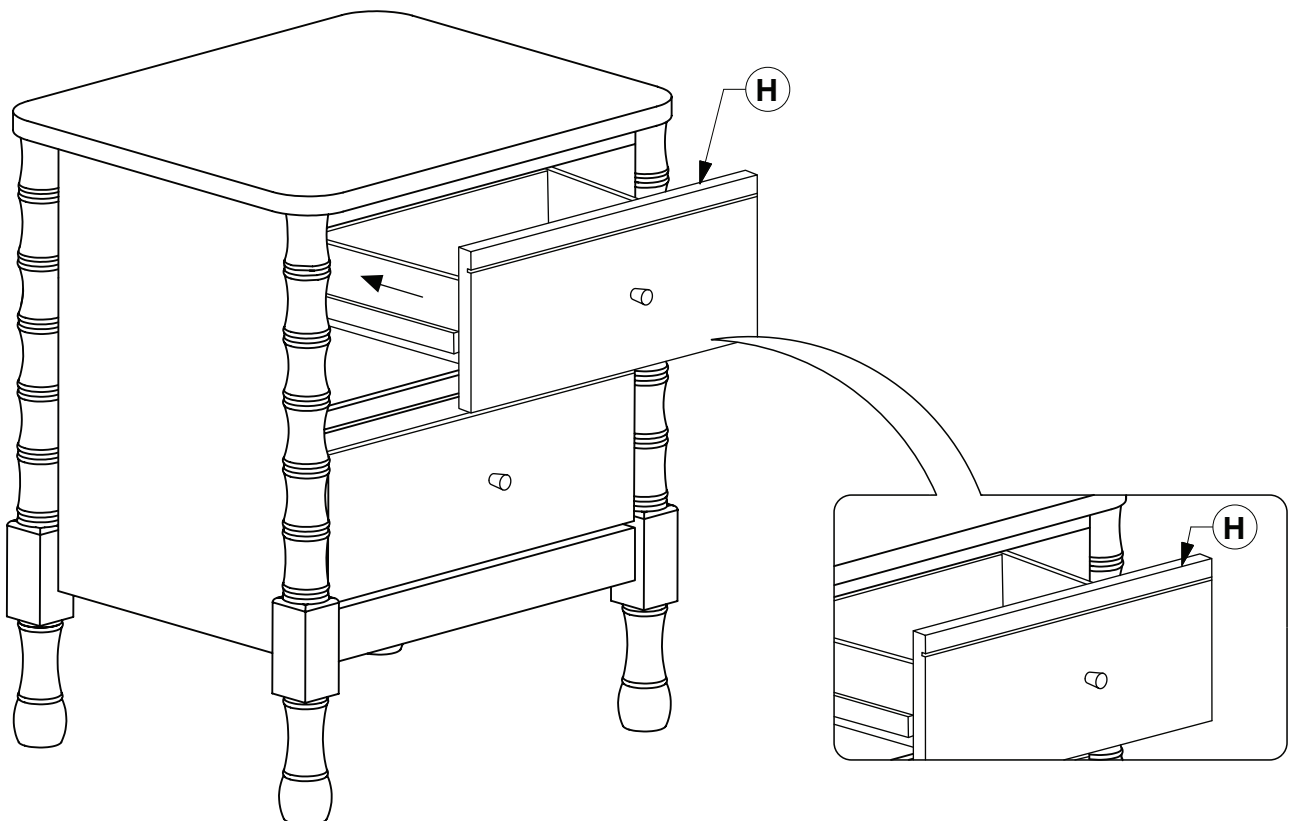
Assembly Instructions

WI-0425

- 10** Use Screw to tighten the Back Panel (B) to the back of frame.



- 11** Fit the Drawer Box to the casegood body.



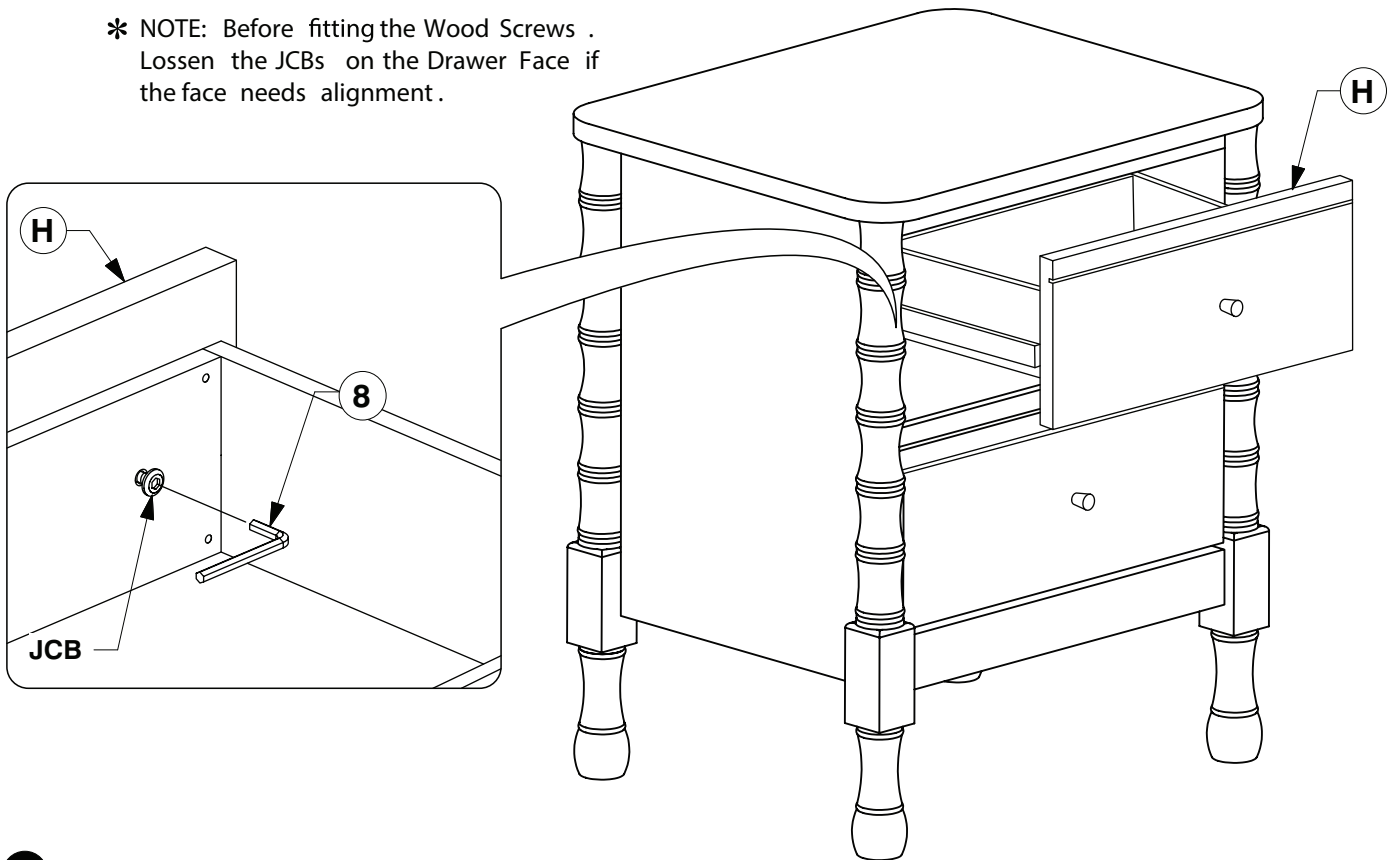
9017 2D Side Table

Assembly Instructions

WI-0425

12 Fit and adjust the Drawer Face (H).

* NOTE: Before fitting the Wood Screws .
Loosen the JCBs on the Drawer Face if
the face needs alignment .



13 After the Drawer Faces (H) are aligned, secure with wood screws.

