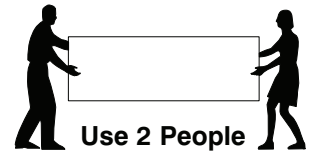
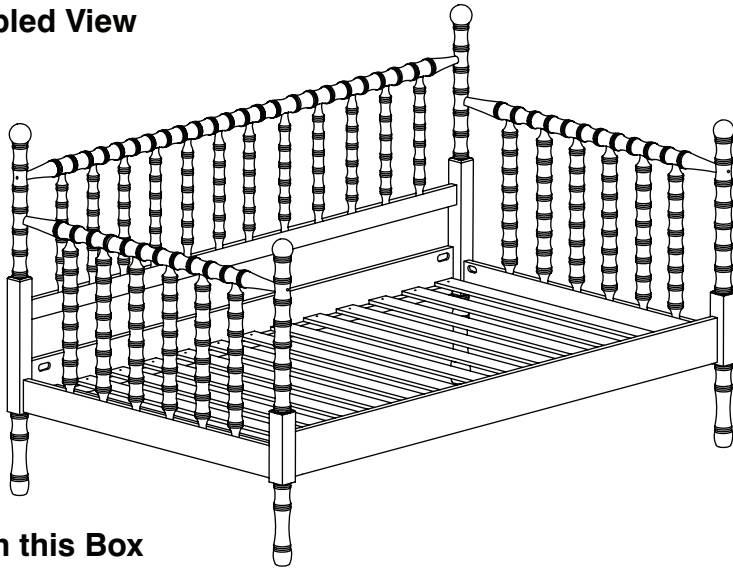


0258-1 Daybed

Assembly Instructions

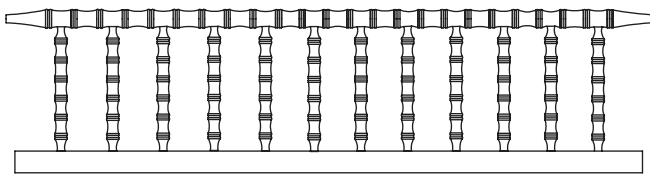
WII-0525

1 Assembled View

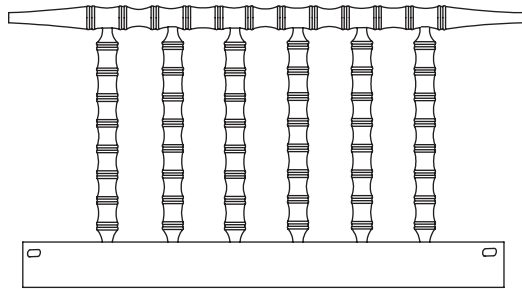


Note: Do not assemble using power tools. This can cause the bolts to be overtightened

2 Parts in this Box



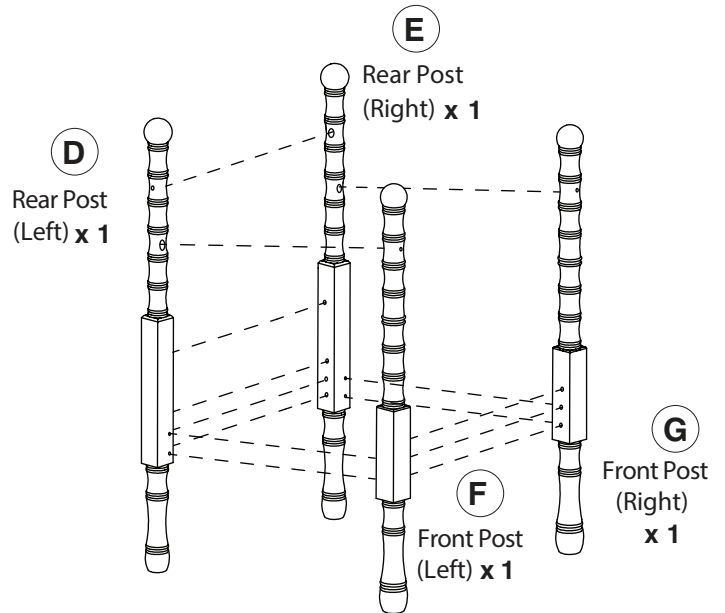
A Back Panel x 1



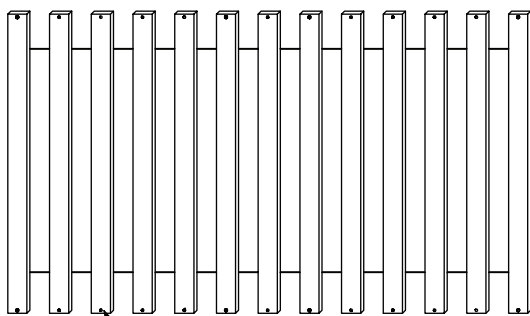
B Side Panel x 2



C Side Rail x 2

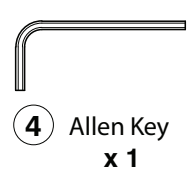
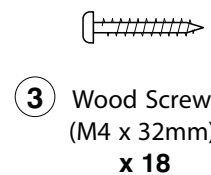
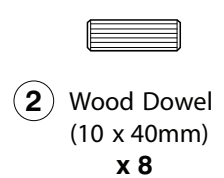
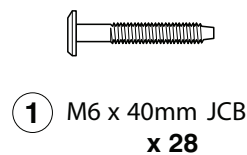


Slats are packed in separately in Box B



H Set of Slats x 1

3 Hardware in this Box

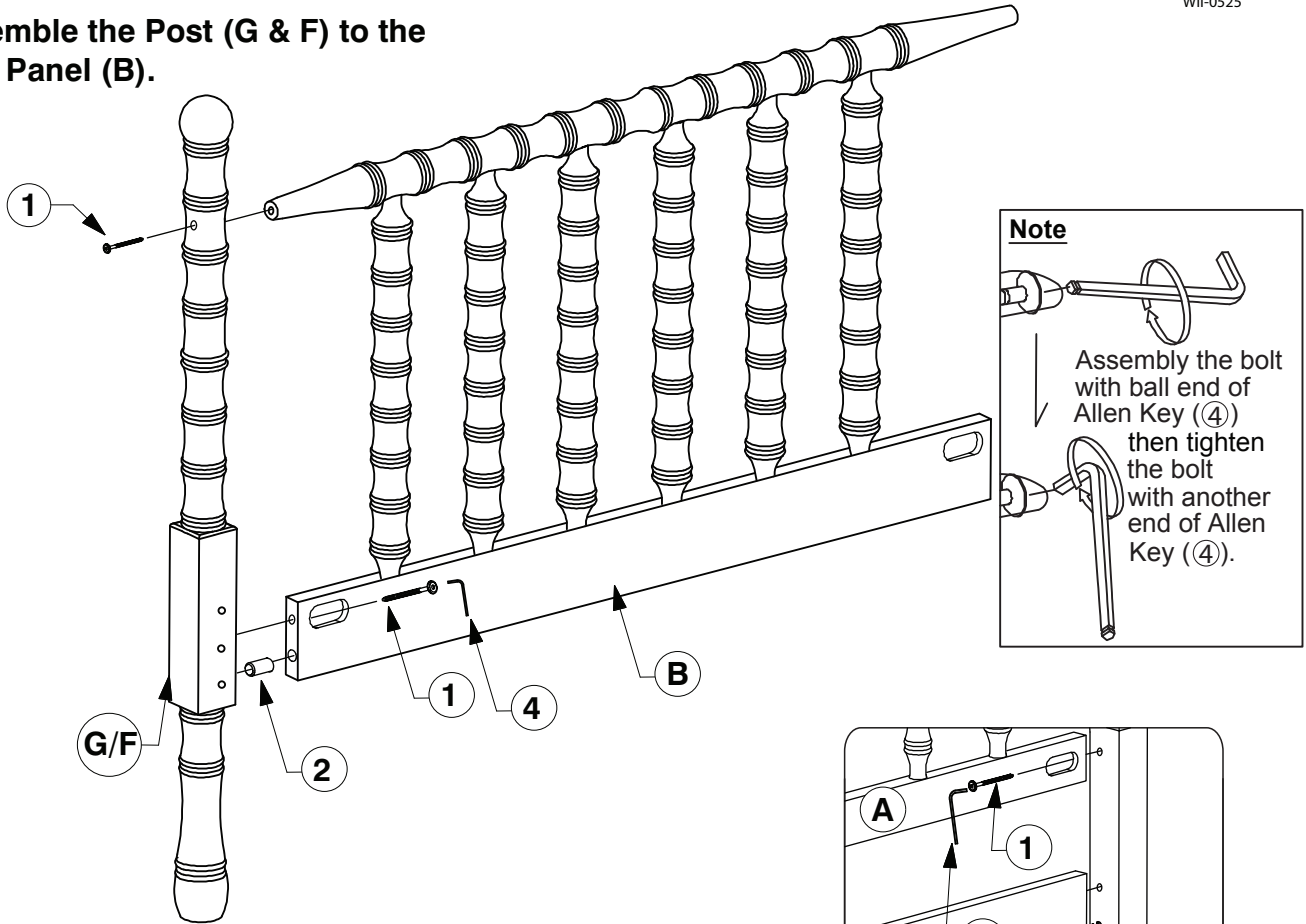


0258-1 Daybed

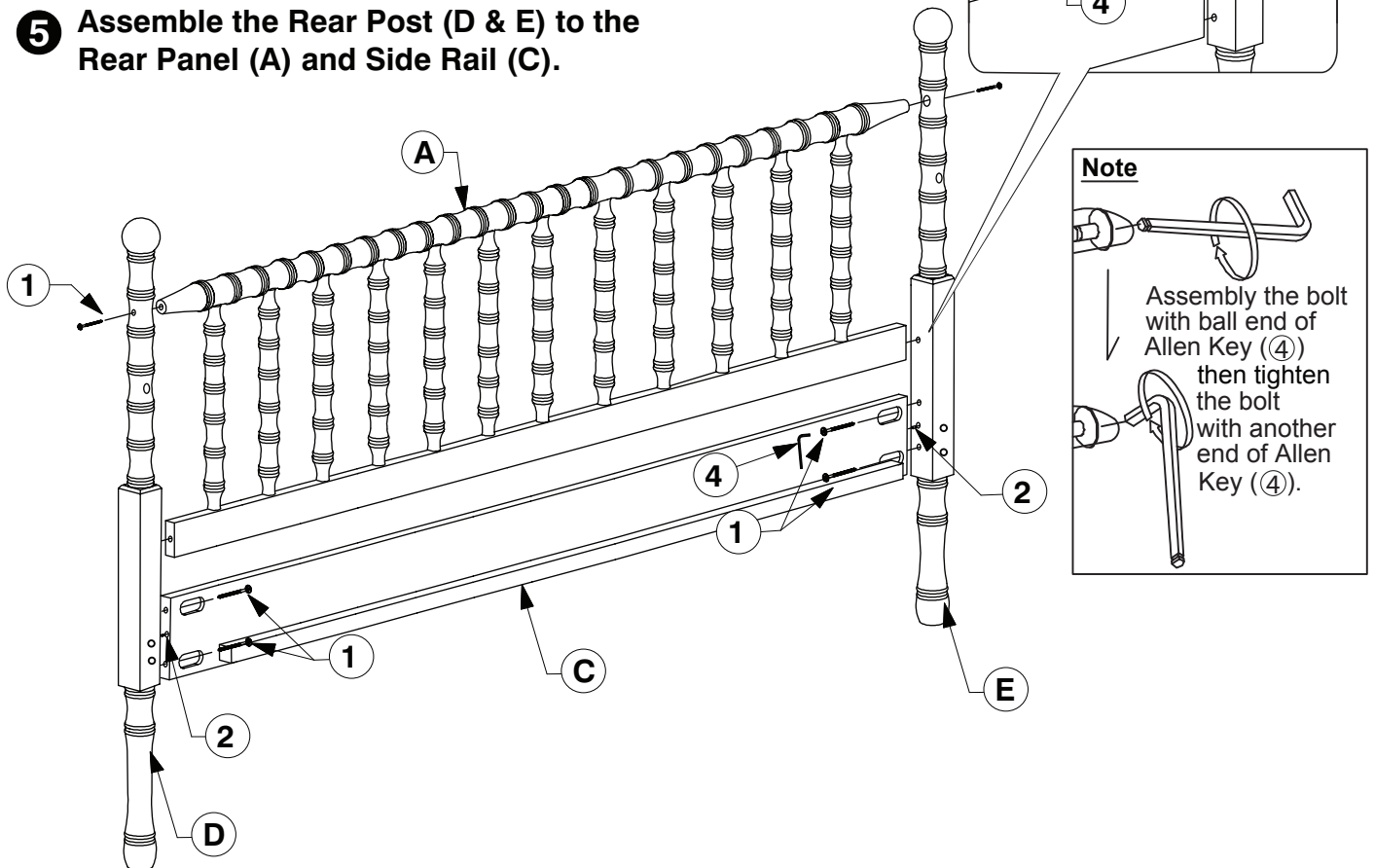
Assembly Instructions

WII-0525

- 4** Assemble the Post (G & F) to the Side Panel (B).



- 5** Assemble the Rear Post (D & E) to the Rear Panel (A) and Side Rail (C).

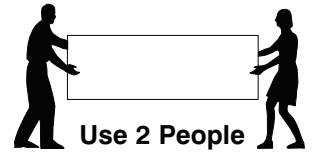
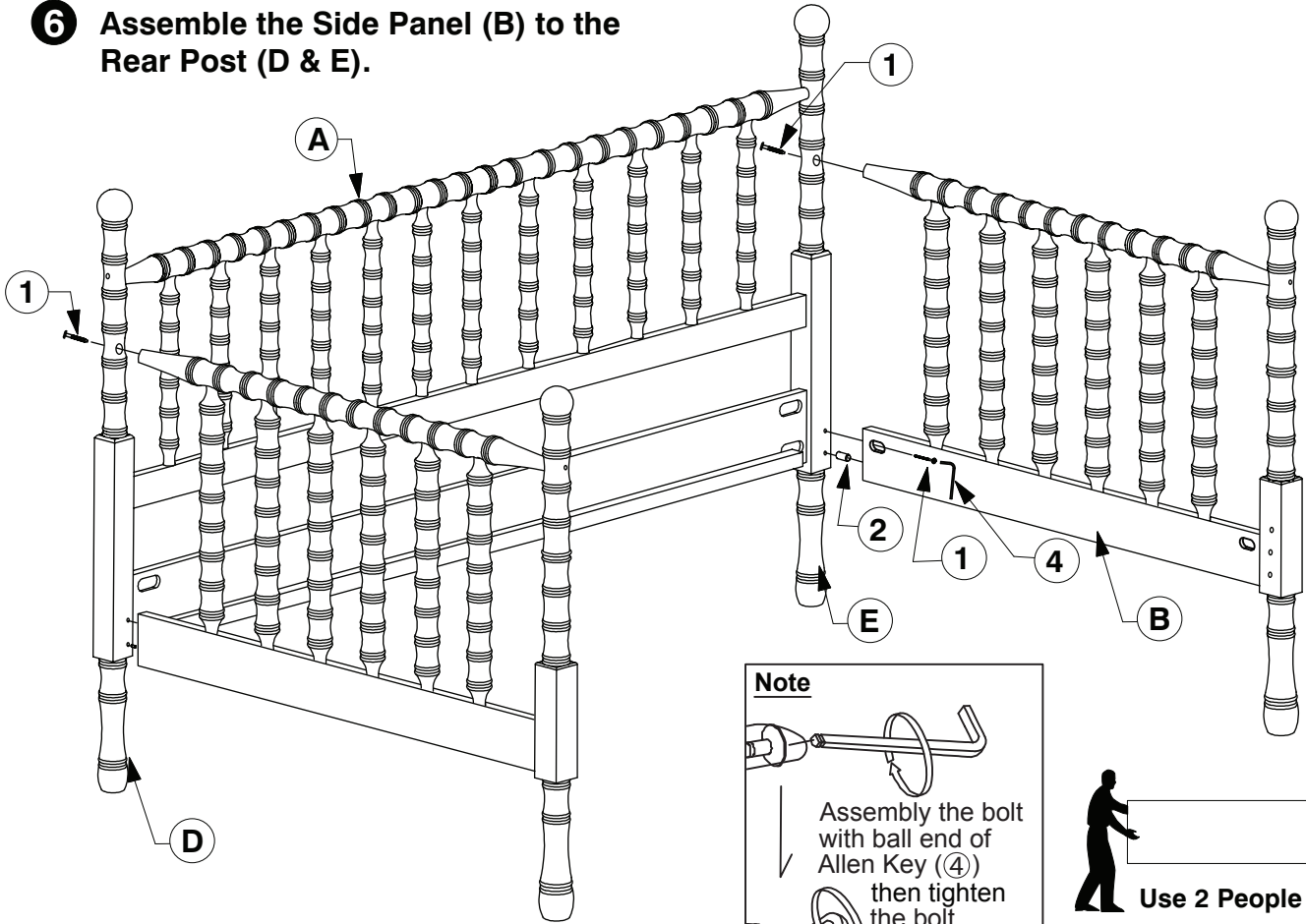


0258-1 Daybed

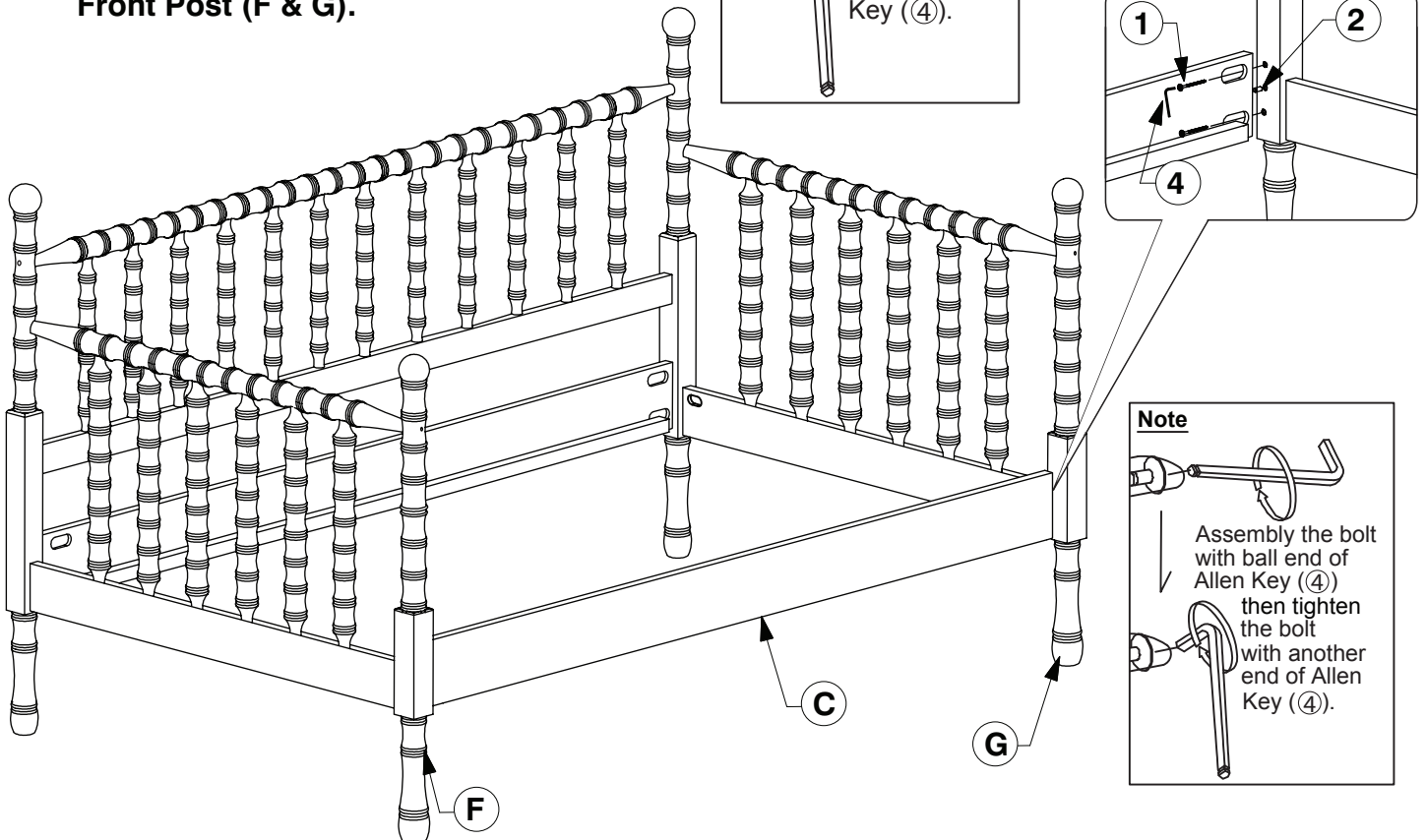
Assembly Instructions

WII-0525

6 Assemble the Side Panel (B) to the Rear Post (D & E).



7 Assemble the Side Rail (C) to the Front Post (F & G).

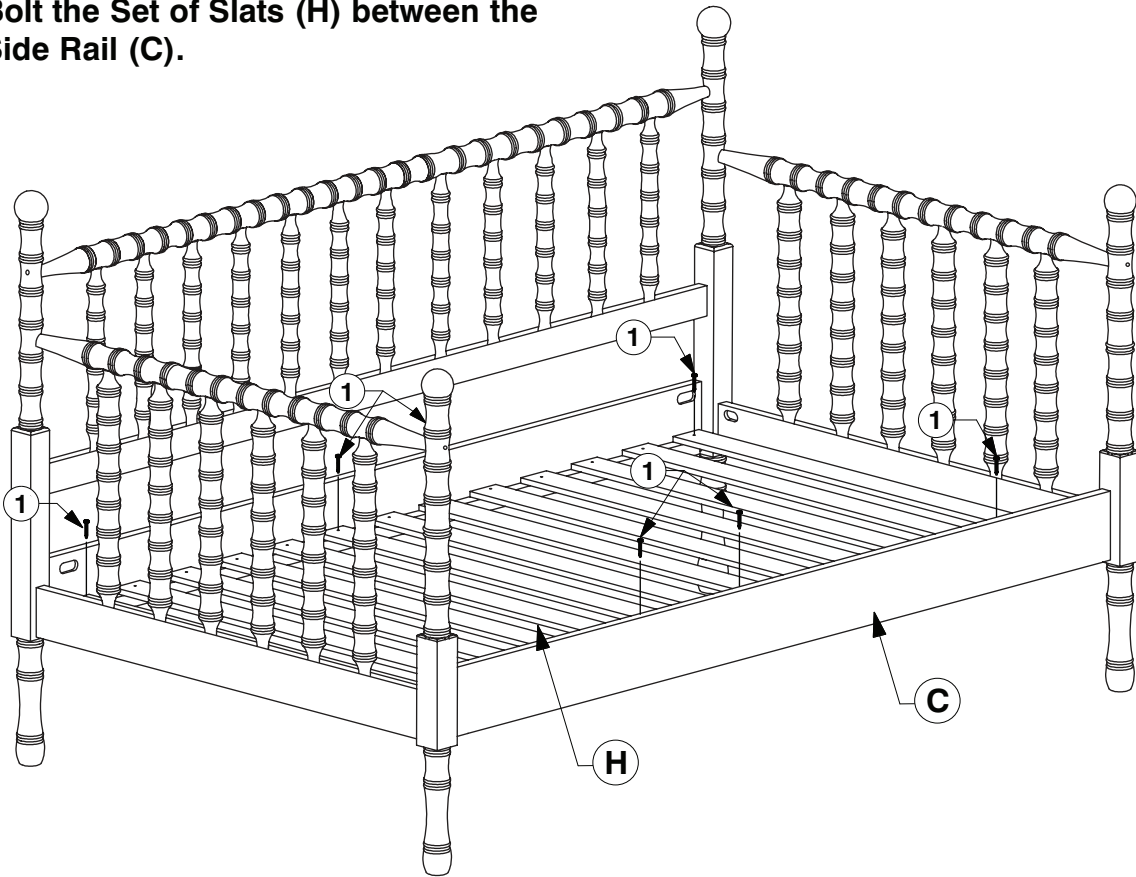


0258-1 Daybed

Assembly Instructions

WII-0525

- 8** Bolt the Set of Slats (H) between the Side Rail (C).



- 9** Screw the Set of Slats (H) between the Side Rail (C).

