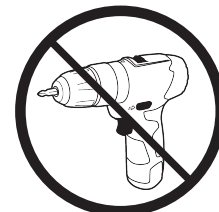
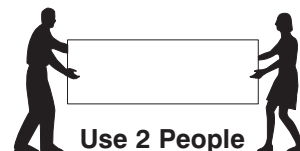
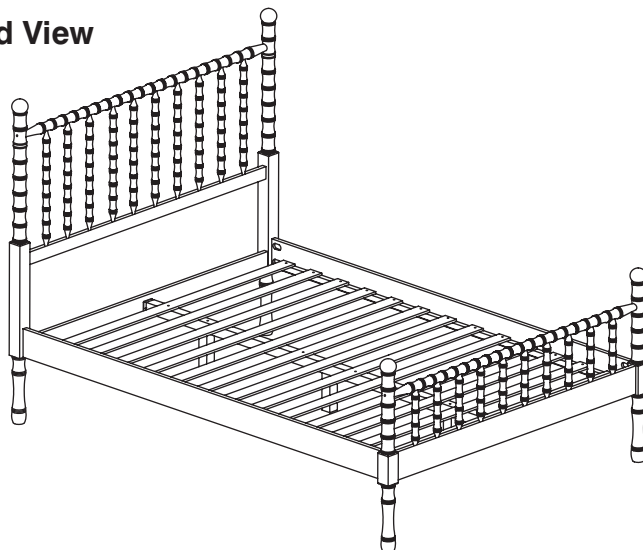


0258 Queen Bed

Assembly Instructions

WI-0425

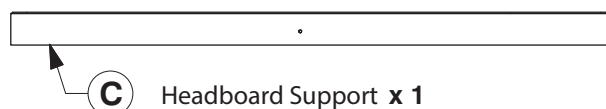
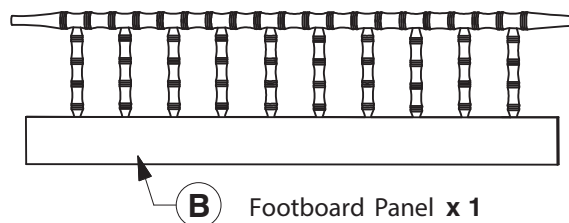
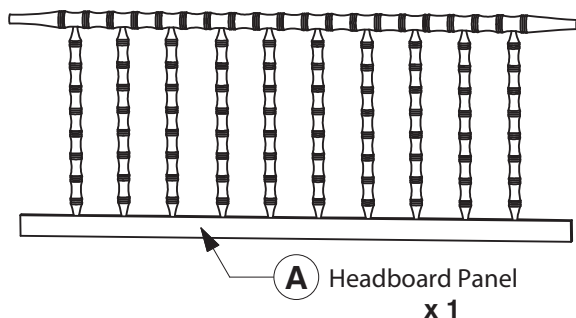
1 Assembled View



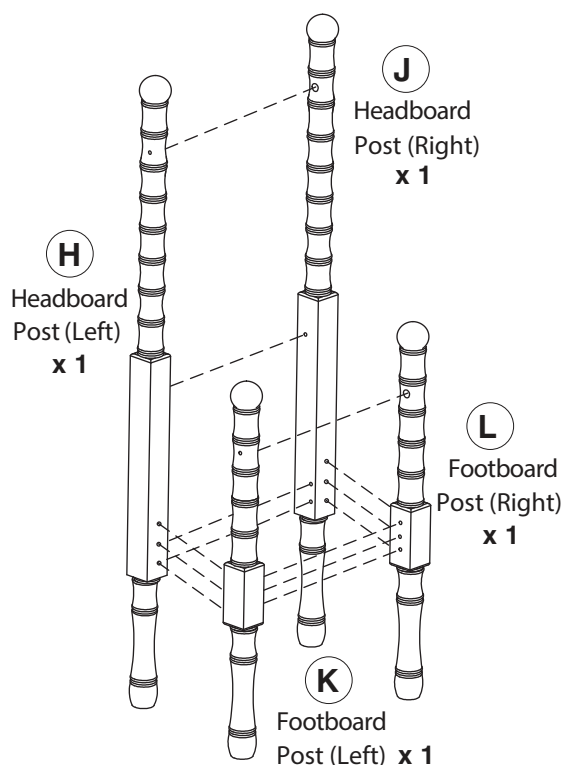
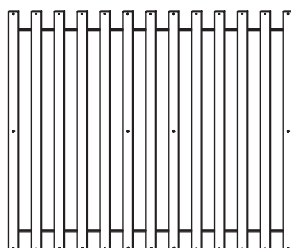
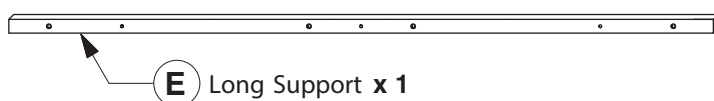
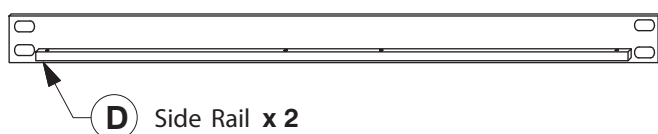
Note: Do not assemble using power tools. This can cause the bolts to be overtightened

2 Parts List

Parts in Box A:



Parts in Box B:

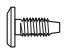



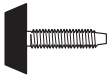
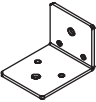





0258 Queen Bed

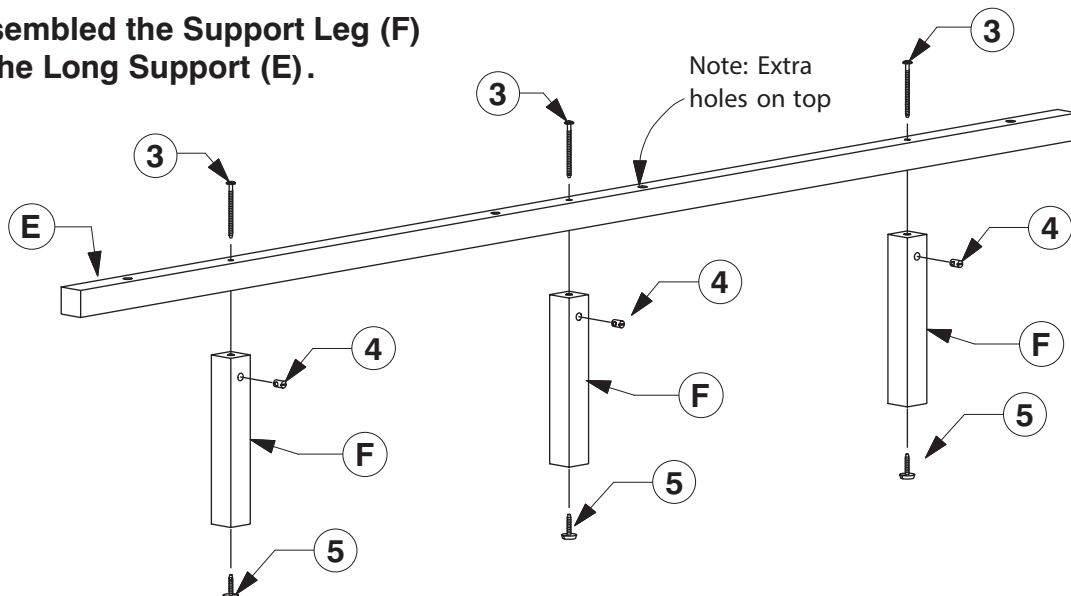
Assembly Instructions

WI-0425

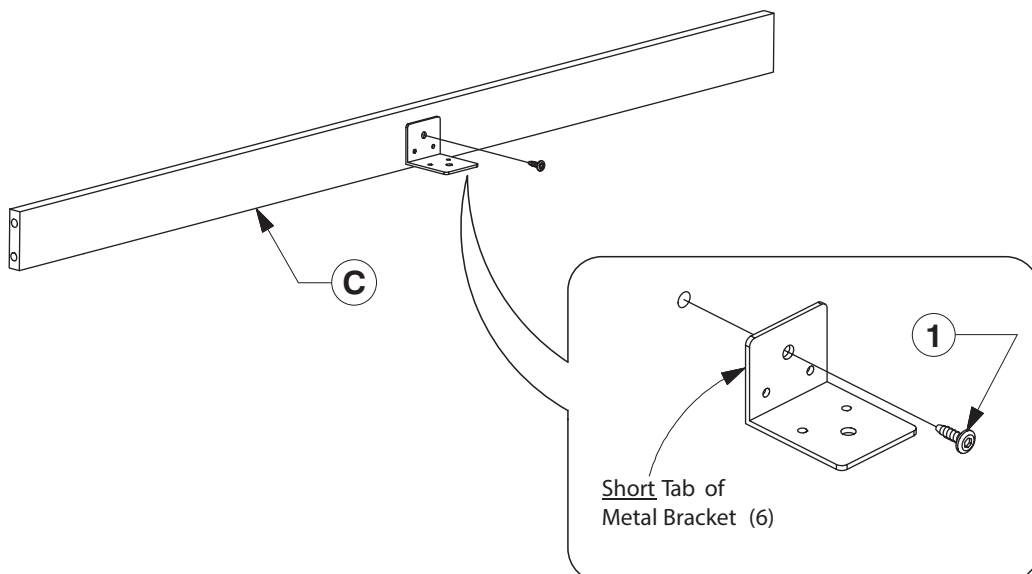
3 Hardware List

- | | | | |
|---|---|---|---|
| 
1 M6 x 15mm JCB x 4 | 
2 M6 x 40mm JCB x 34 | 
3 M6 x 90mm JCB x 3 | 
4 Barrel Nut x 3 |
| 
5 Adjustable Foot x 3 | 
6 Center Rail Bracket x 2 | 
7 Wood Screw (M4 x 32mm) x 18 | 
8 Wood Dowel (10 x 40mm) x 6 |
| | | | 
9 M4 Allen Key x 1 |

4 Assembled the Support Leg (F) to the Long Support (E).



5 Fit the Center Rail Bracket (6) to the Headboard Support (C).

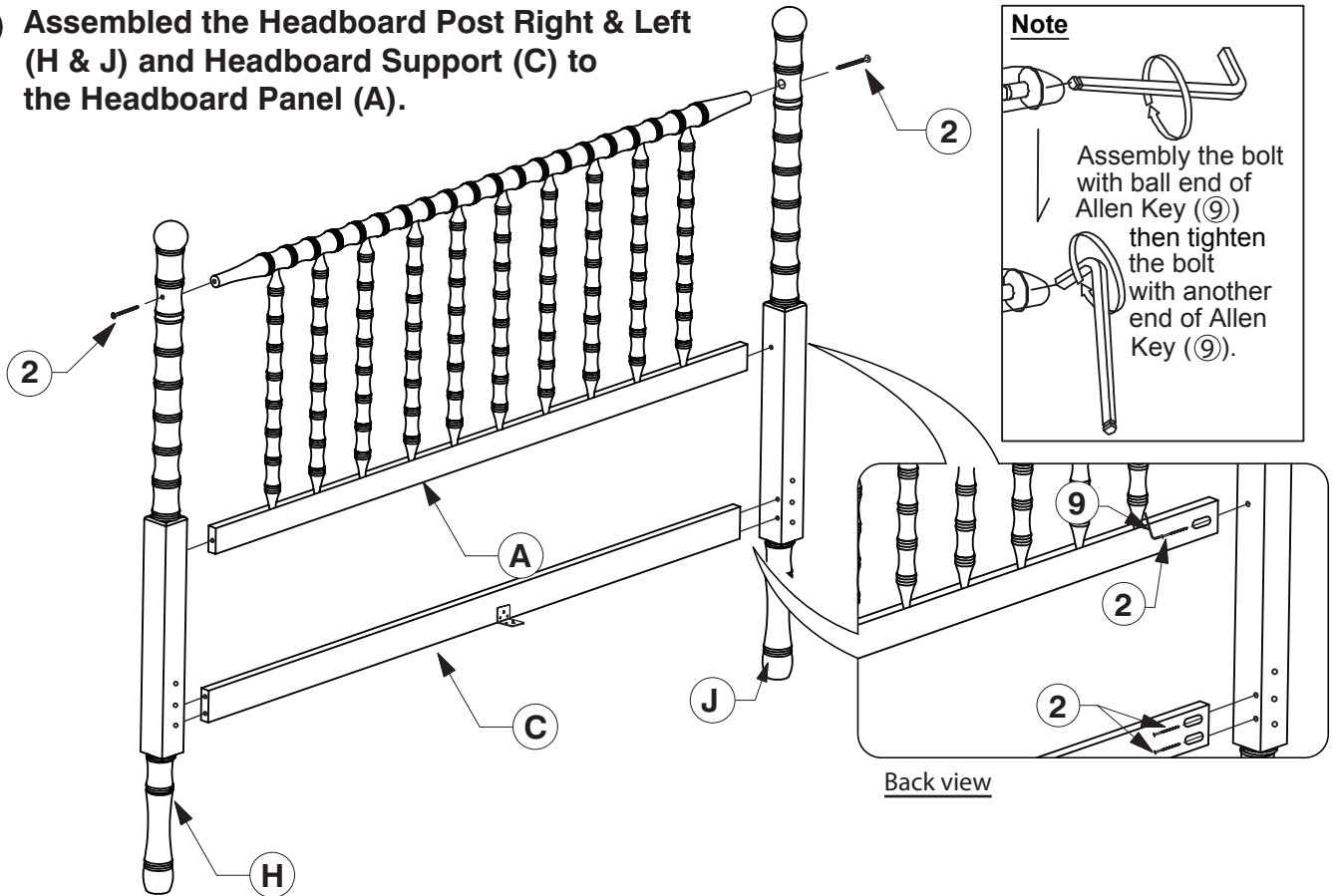


0258 Queen Bed

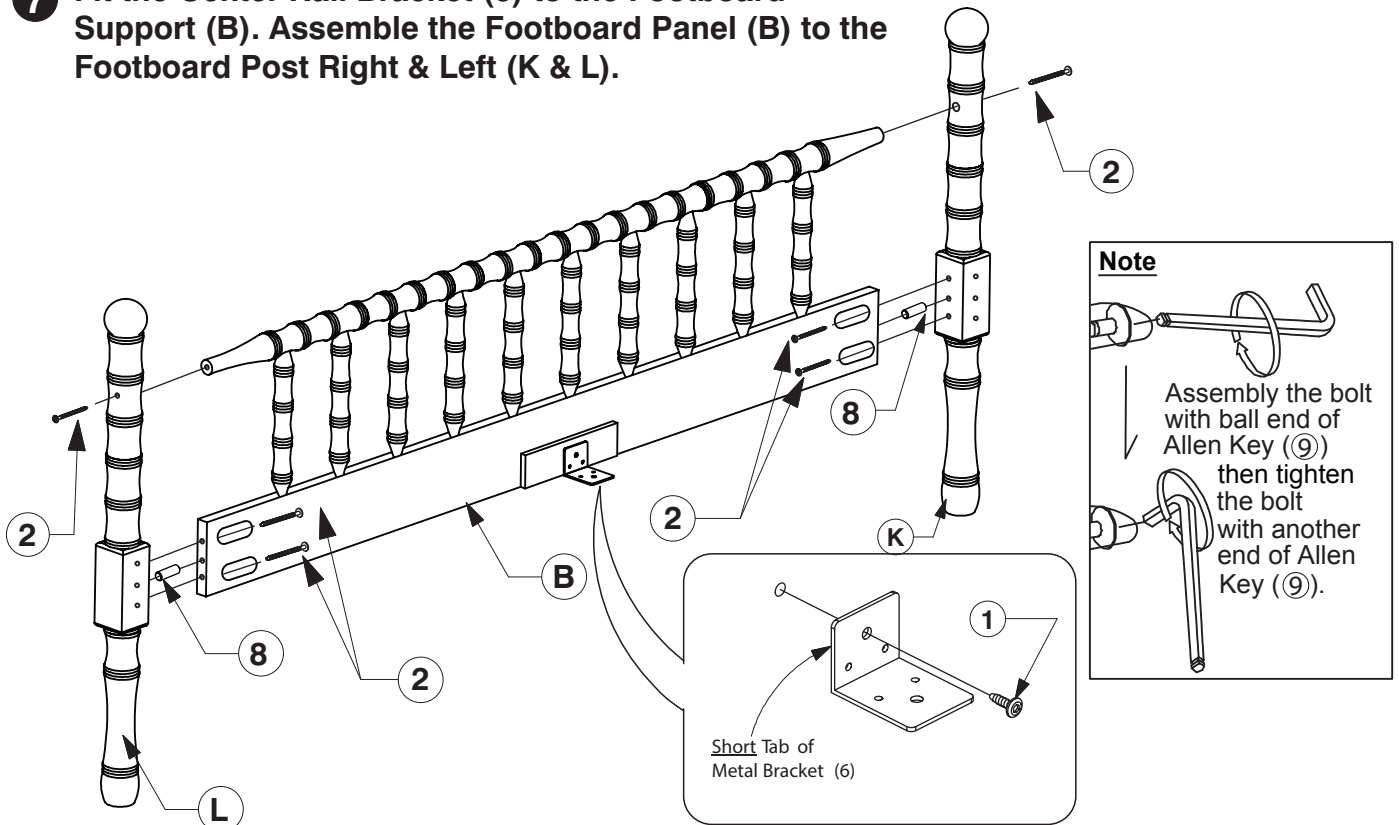
Assembly Instructions

WI-0425

- 6** Assembled the Headboard Post Right & Left (H & J) and Headboard Support (C) to the Headboard Panel (A).



- 7** Fit the Center Rail Bracket (6) to the Footboard Support (B). Assemble the Footboard Panel (B) to the Footboard Post Right & Left (K & L).

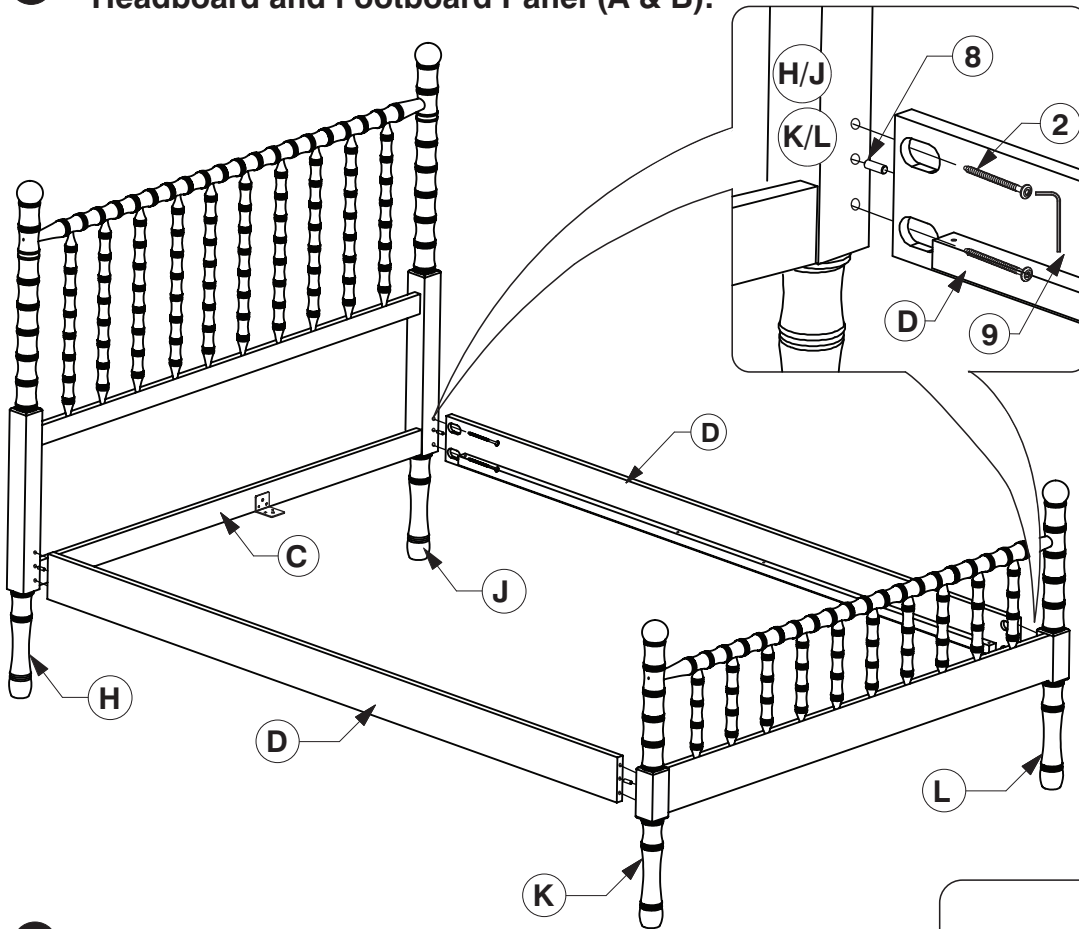


0258 Queen Bed

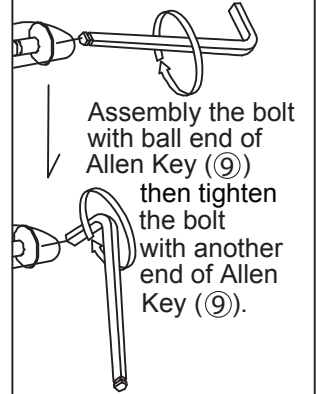
Assembly Instructions

WI-0425

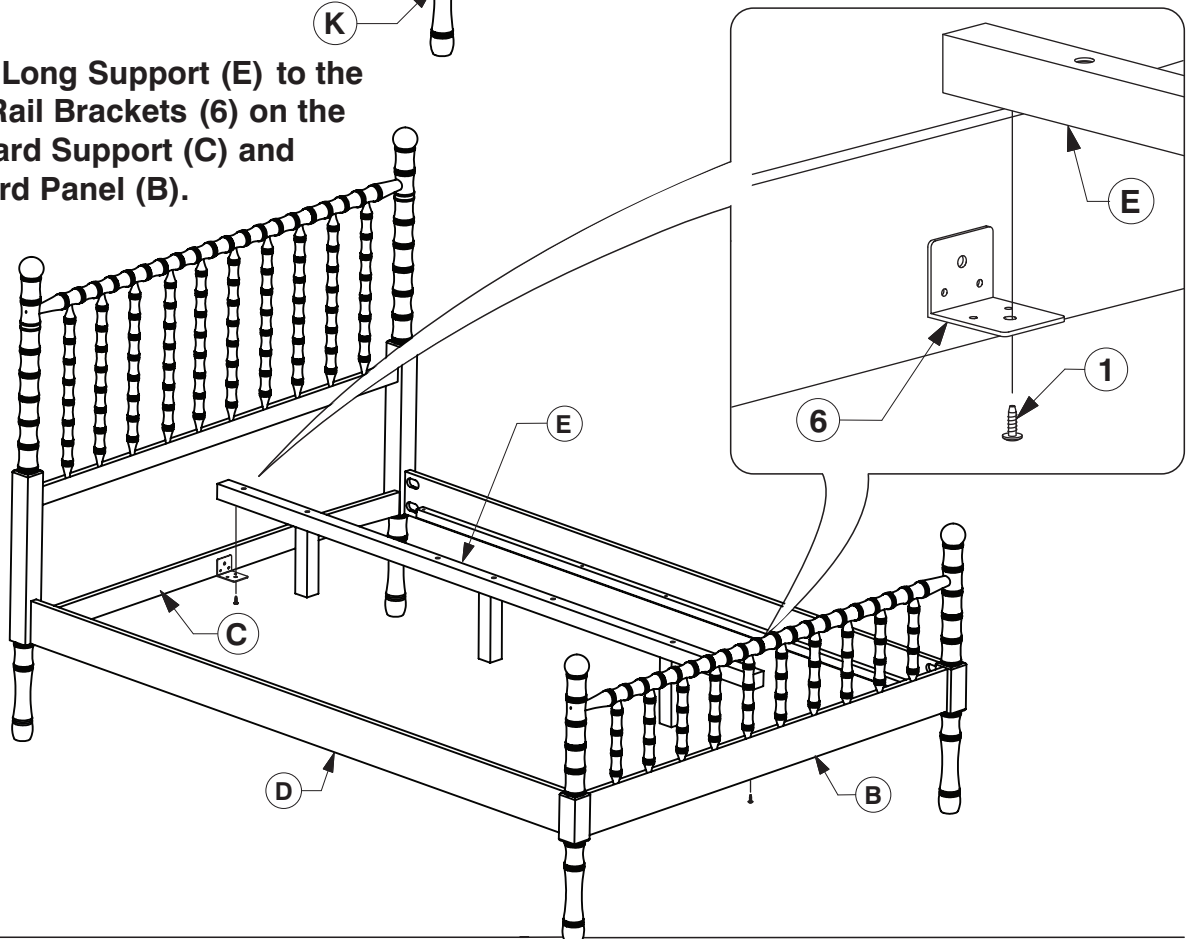
- 8** Assemble the Side Rail (D) to the Headboard and Footboard Panel (A & B).



Note



- 9** Bolt the Long Support (E) to the Center Rail Brackets (6) on the Headboard Support (C) and Footboard Panel (B).

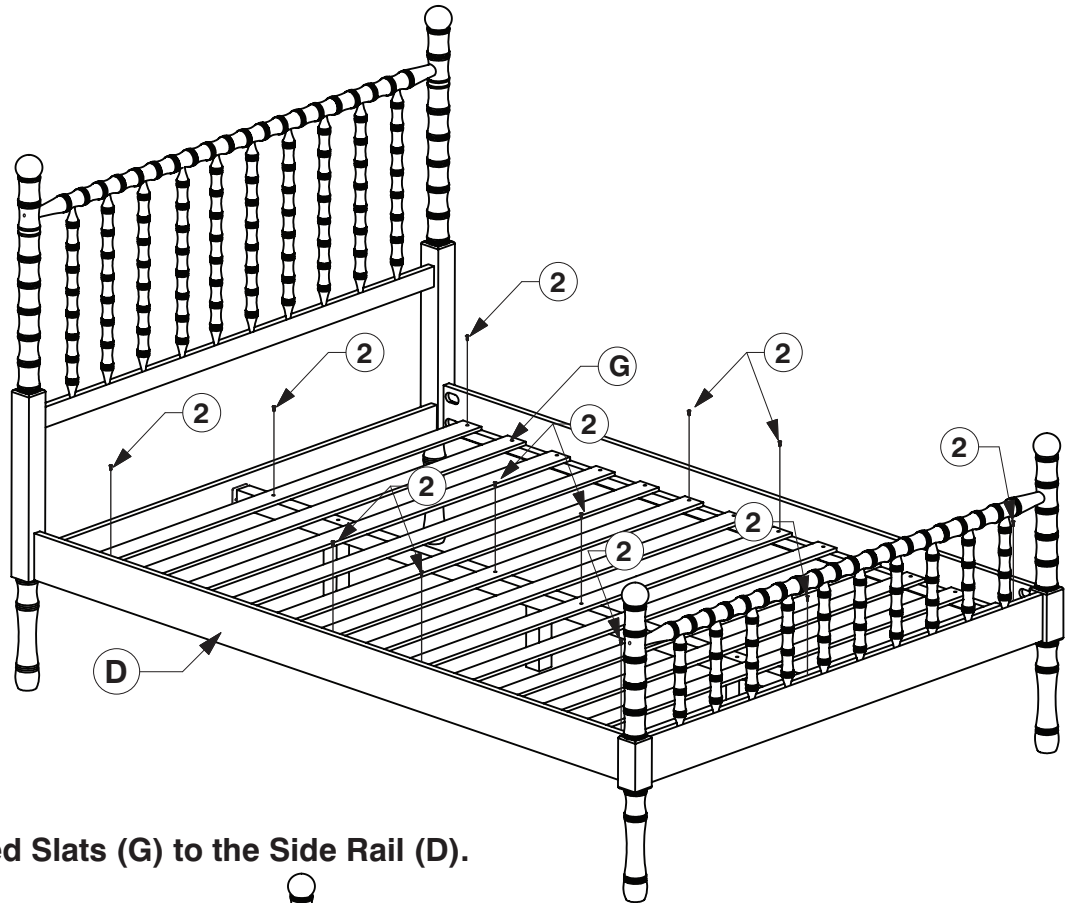


0258 Queen Bed

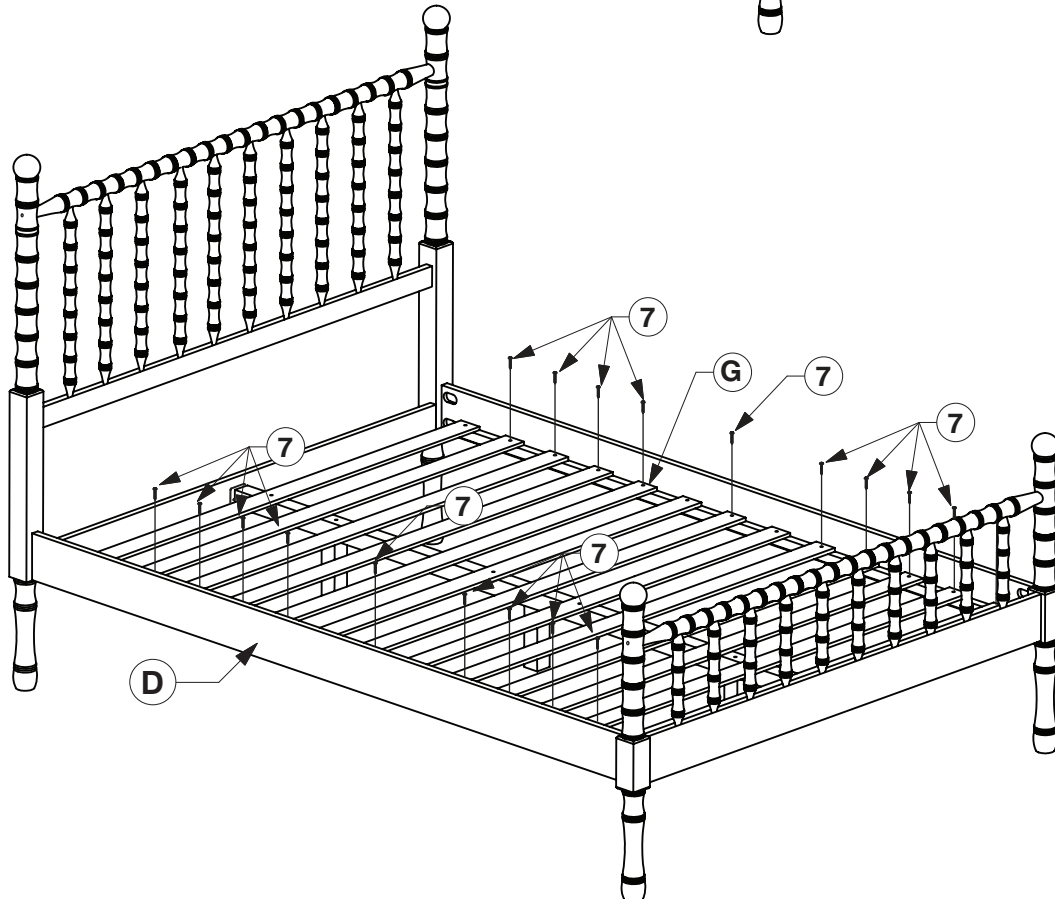
Assembly Instructions

WI-0425

- 10** Bolt the Bed Slats (G) to the Side Rail (D).



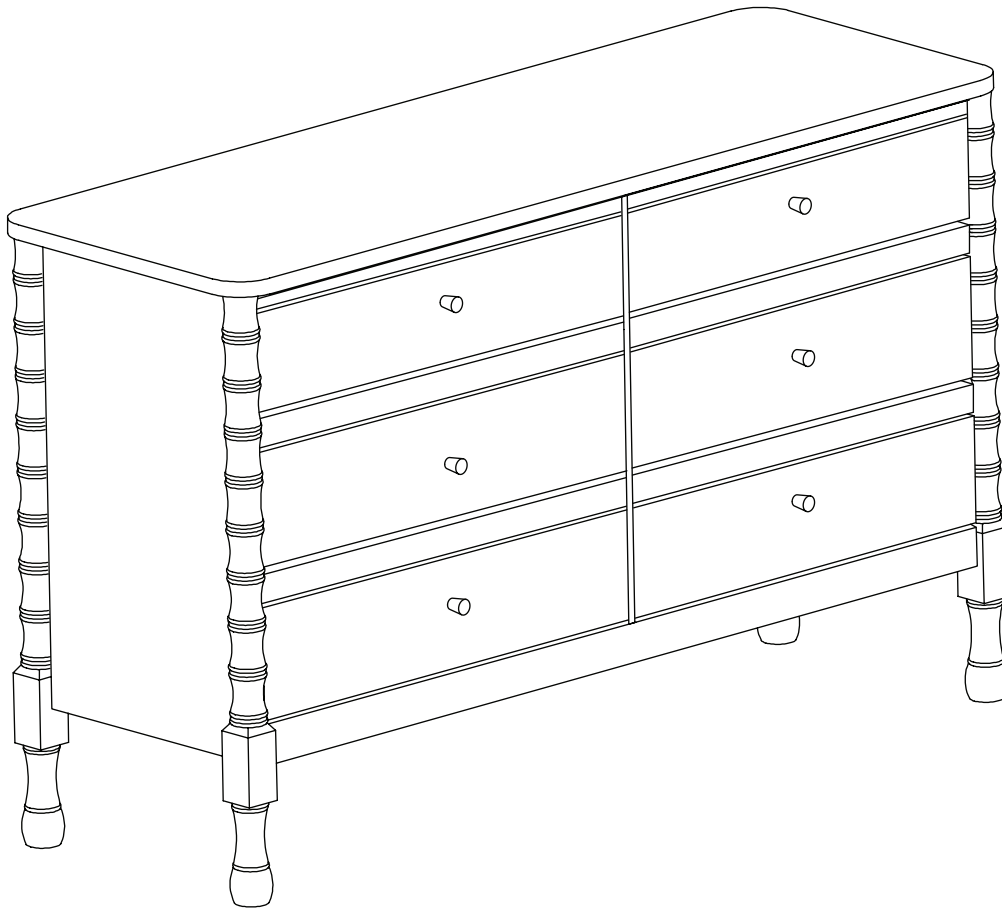
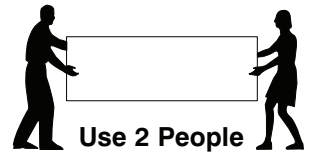
- 11** Screw the Bed Slats (G) to the Side Rail (D).



9017 6 Drawer Dresser

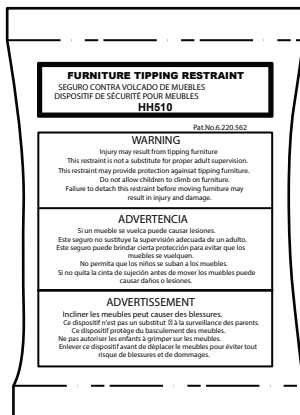
Assembly Instructions

WI-0425



Note: Do not assemble using power tools. This can cause the bolts to be overtightened

WARNING



Anti Tipping Kit
Anti Tipping Kit x 1



Children have died from furniture tipover.

To reduce the risk of furniture tipover:

- ALWAYS install anti-tip device provided.
- NEVER put a TV on this product.
- NEVER allow children to stand, climb, or hang on any drawers, doors or shelves.
- NEVER open more than one drawer at a time.
- DO NOT defeat or remove the drawer interlock system; it is an important stability and safety system.
- Place heaviest items in the lowest drawer.

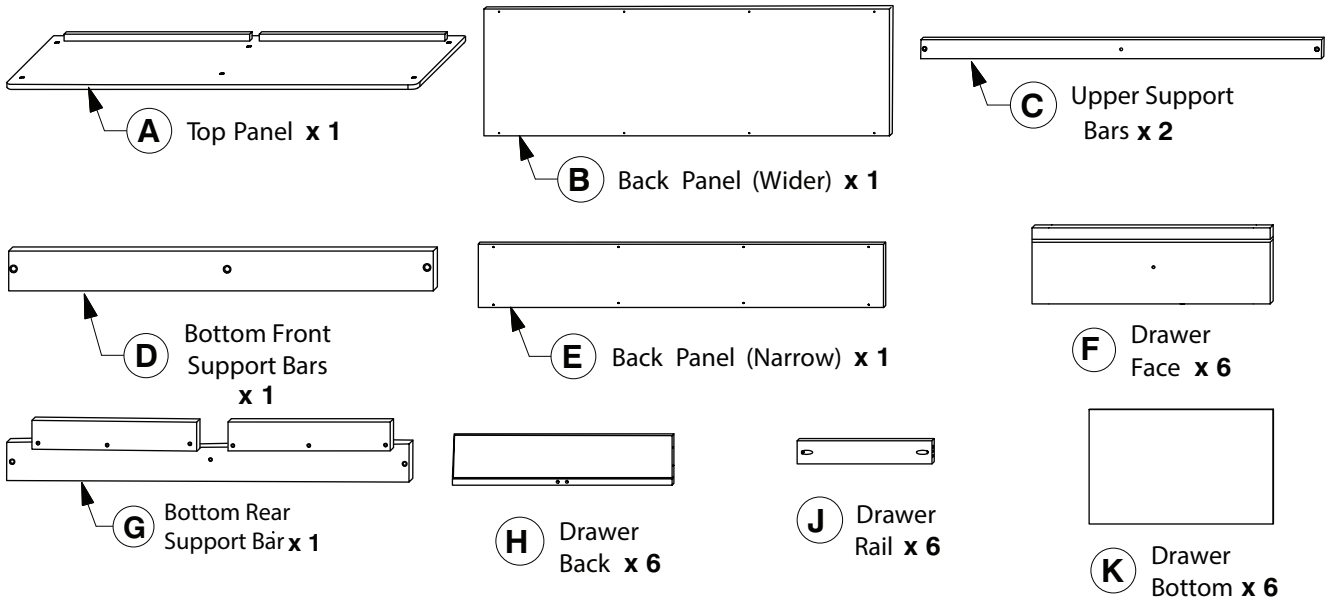
9017 6 Drawer Dresser

Assembly Instructions

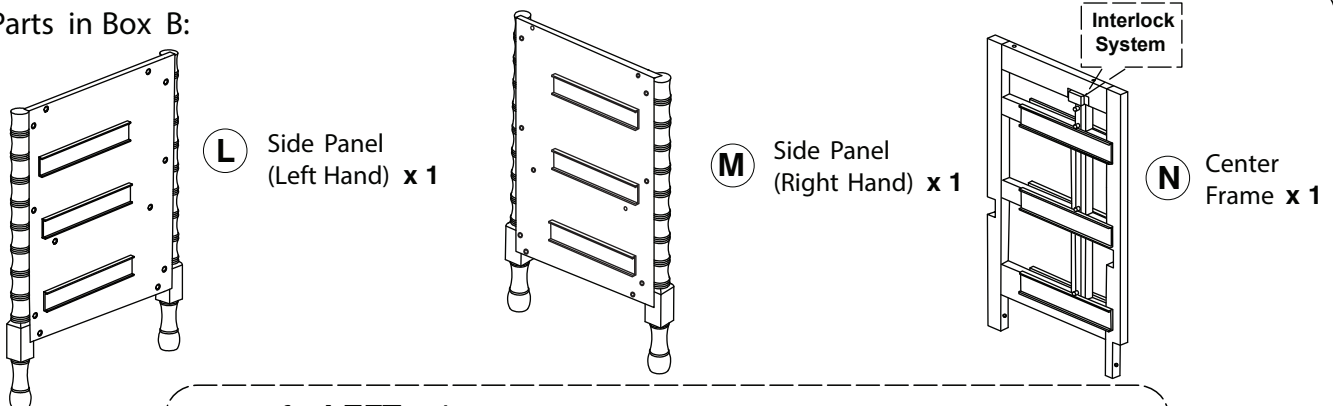
WI-0424

1 Parts List

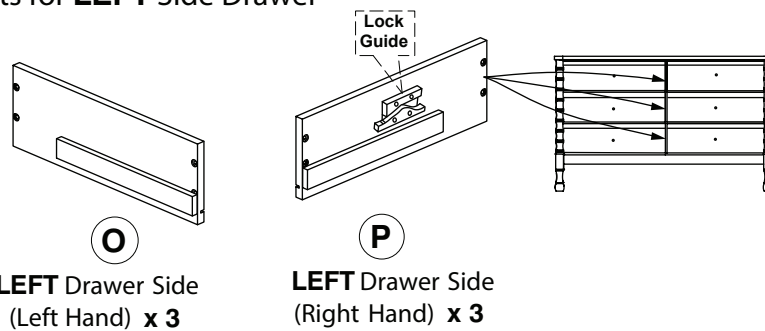
Parts in Box A:



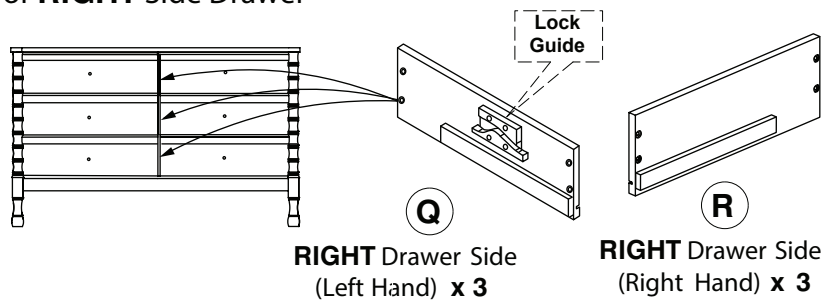
Parts in Box B:



Parts for **LEFT** Side Drawer



Parts for **RIGHT** Side Drawer

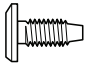


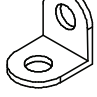
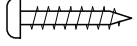
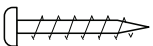
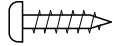






9017 6 Drawer Dresser

Assembly Instructions

WI-0425

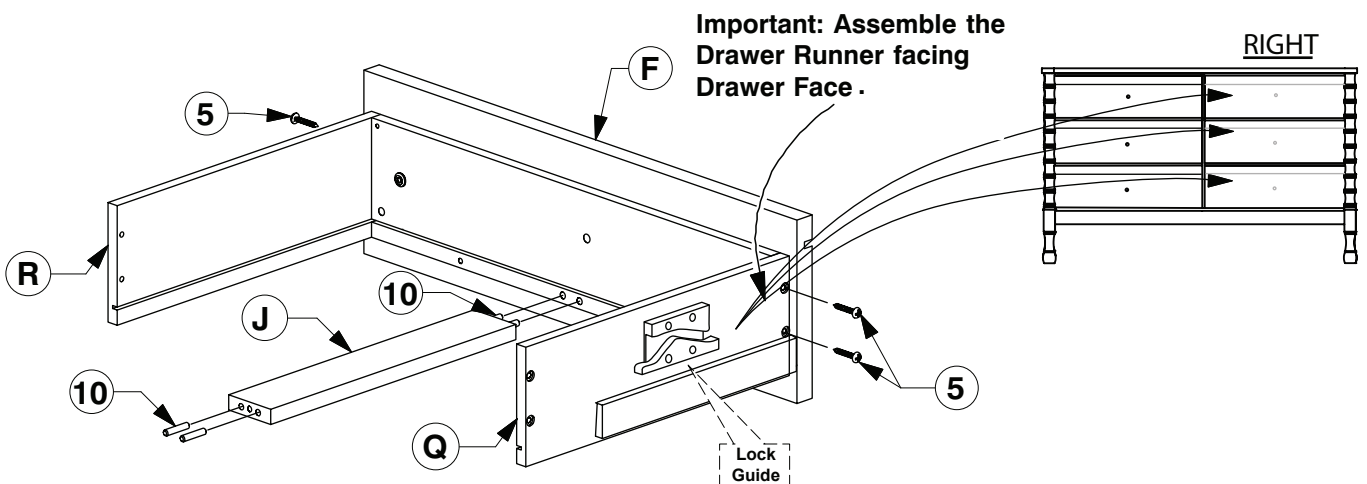
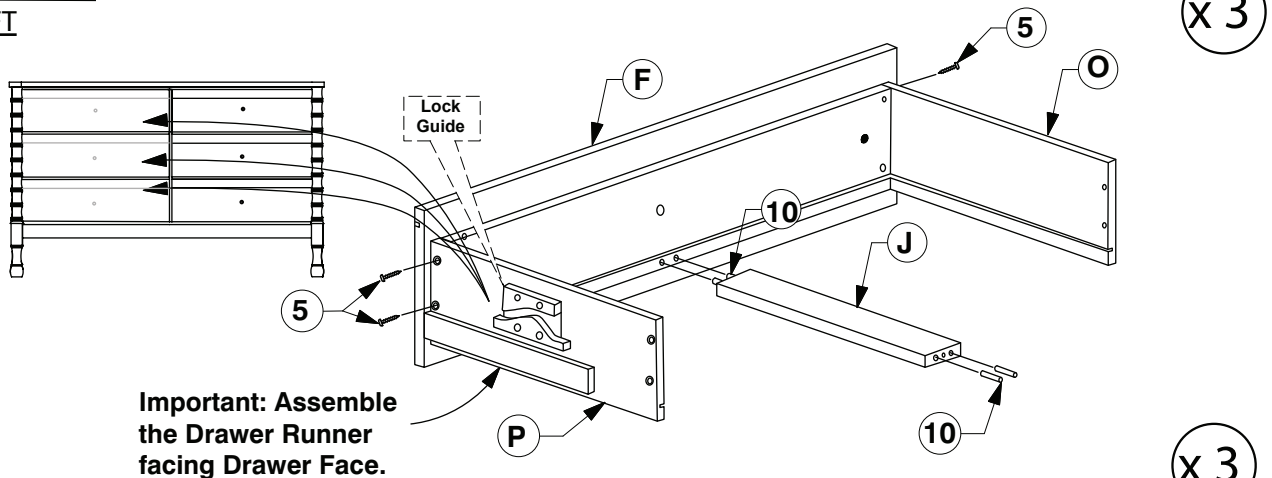
2 Hardware List

- | | | | |
|---|---|---|---|
|  |  |  |  |
| 1 M6 x 15mm JCB x 24 | 2 M6 x 30mm JCB x 4 | 3 M6 x 60mm JCB x 2 | 4 'L' Bracket (5005-3) x 12 |
|  |  |  |  |
| 5 Wood Screw (M4 x 25mm) x 60 | 6 Wood Screw (M4 x 32mm) x 16 | 7 Wood Screw (M4 x 20mm) x 24 | 8 M4 x 20mm Wood Screw x 6 |
|  |  |  | |
| 9 (1005) Handle x 6 | 10 M6 x 25mm Wood Dowel x 24 | 11 Allen Key x 1 | |

3 Assemble the Drawers.

STEP 3.1

LEFT



9017 6 Drawer Dresser

Assembly Instructions

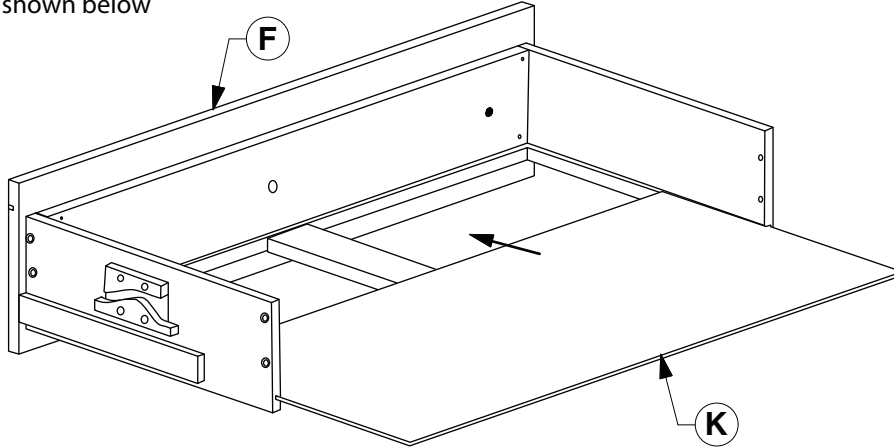
WI-0425

3 Assemble the Drawers.

STEP 3.2

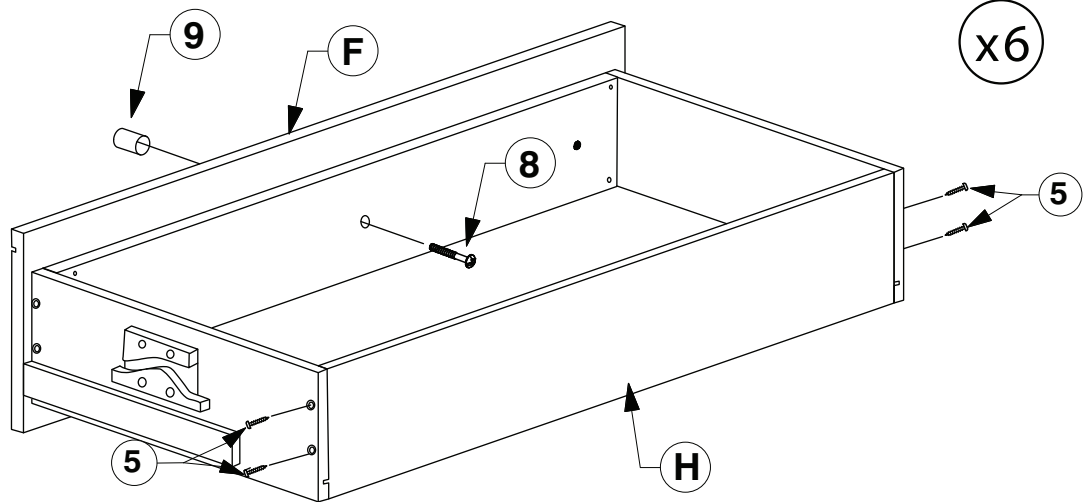
x6

* 3 Assemble the left and right drawers as shown below



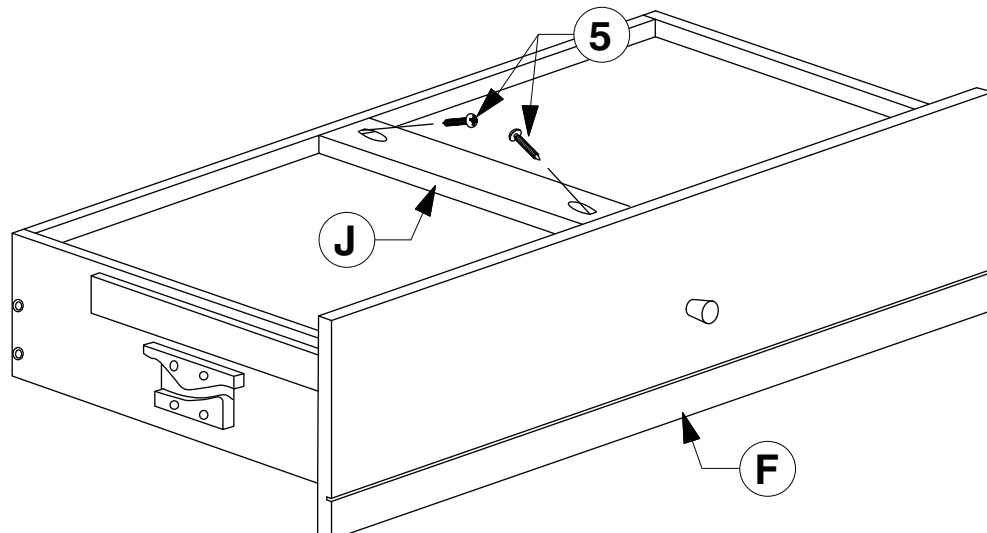
STEP 3.3

x6



STEP 3.4

x6

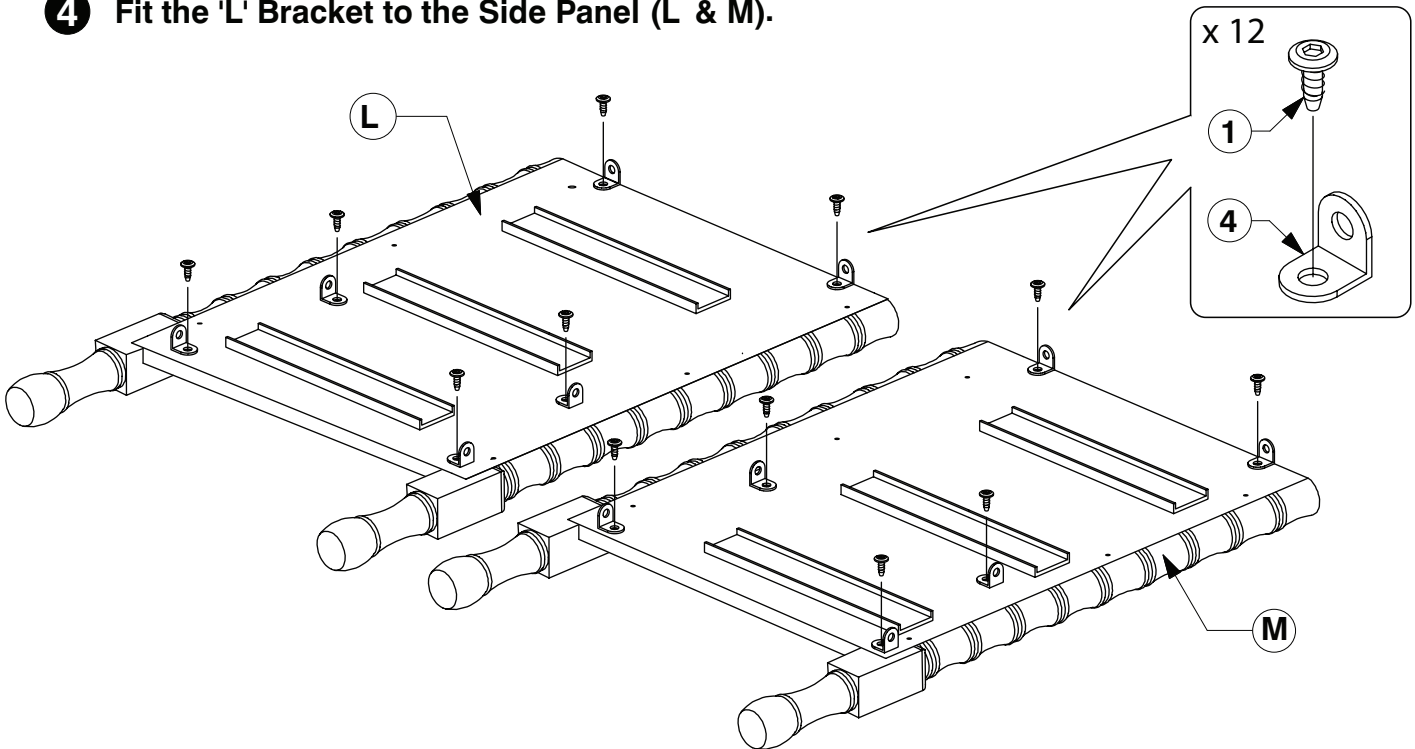


9017 6 Drawer Dresser

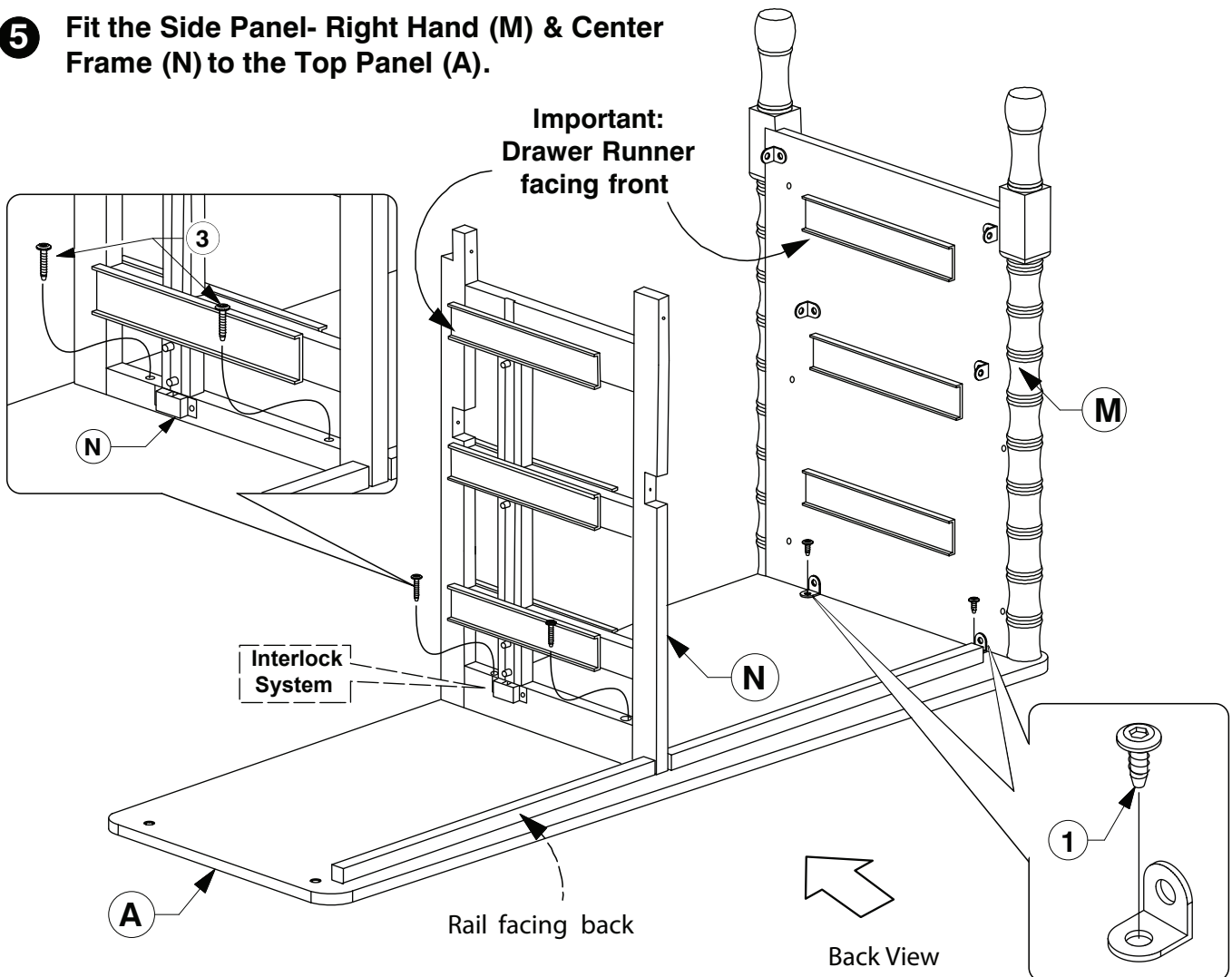
Assembly Instructions

WI-0425

4 Fit the 'L' Bracket to the Side Panel (L & M).



5 Fit the Side Panel- Right Hand (M) & Center Frame (N) to the Top Panel (A).

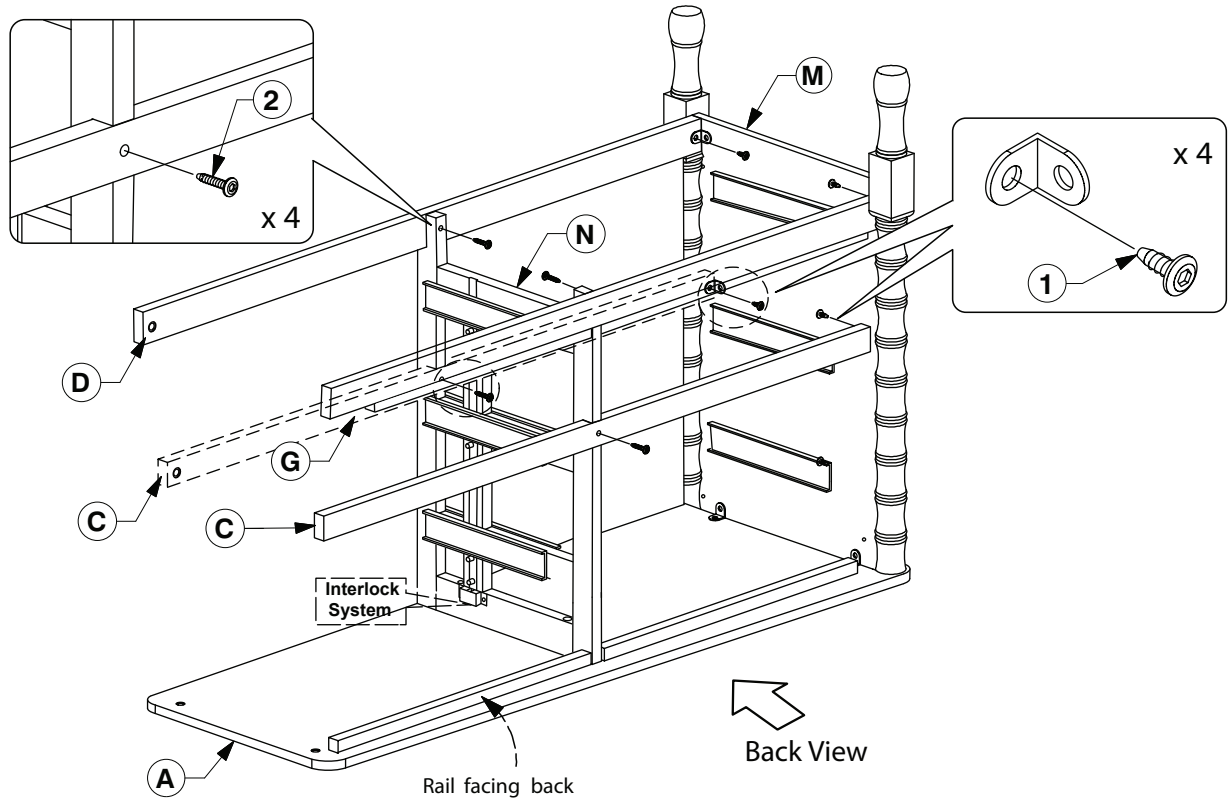


9017 6 Drawer Dresser

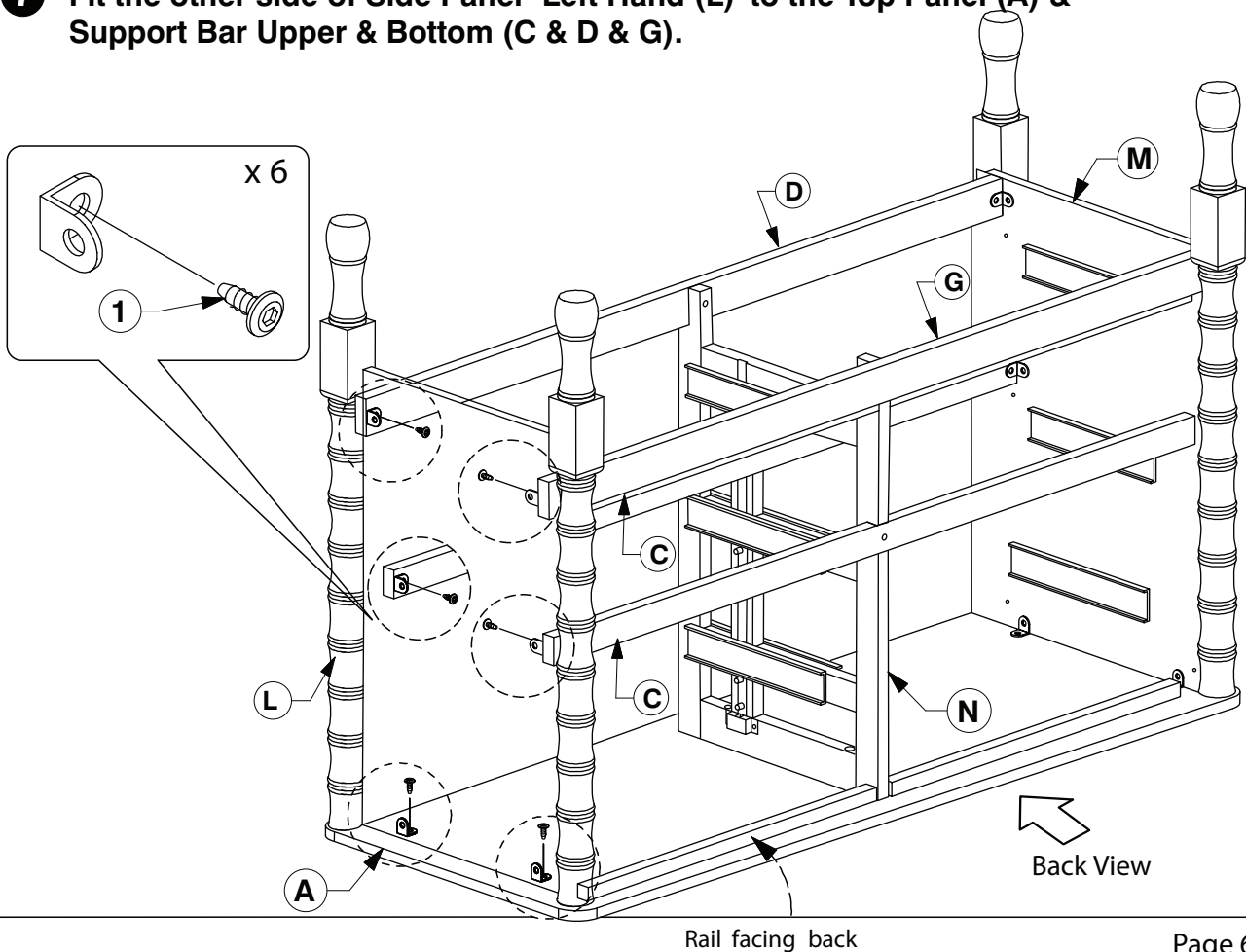
Assembly Instructions

WI-0425

- 6** Fit the Upper Support Bar (C) and Bottom Front & Rear Support Bars (D & G) to the Side Panel-Right Hand (M) & Center Frame (N) as shown.



- 7** Fit the other side of Side Panel- Left Hand (L) to the Top Panel (A) & Support Bar Upper & Bottom (C & D & G).

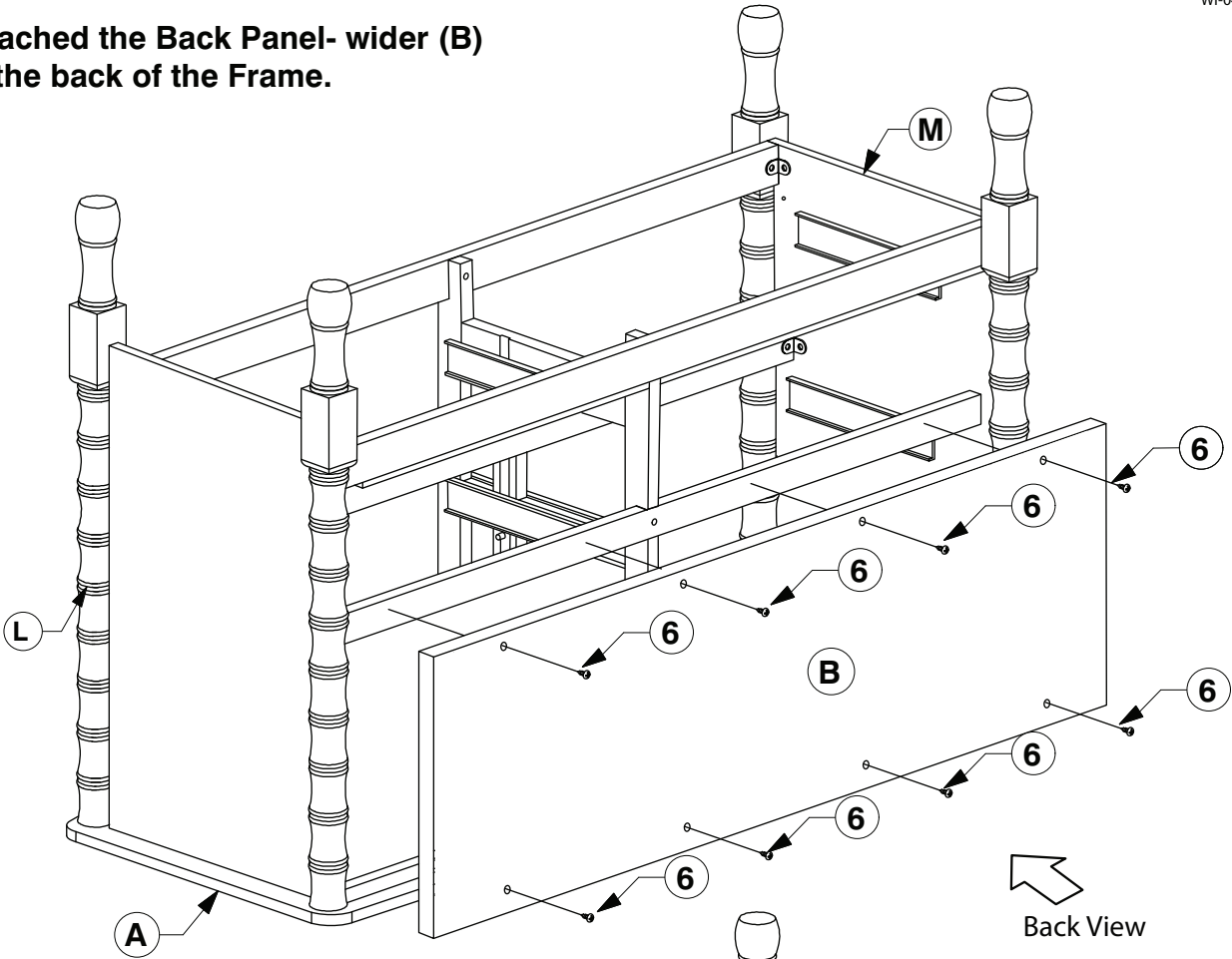


9017 6 Drawer Dresser

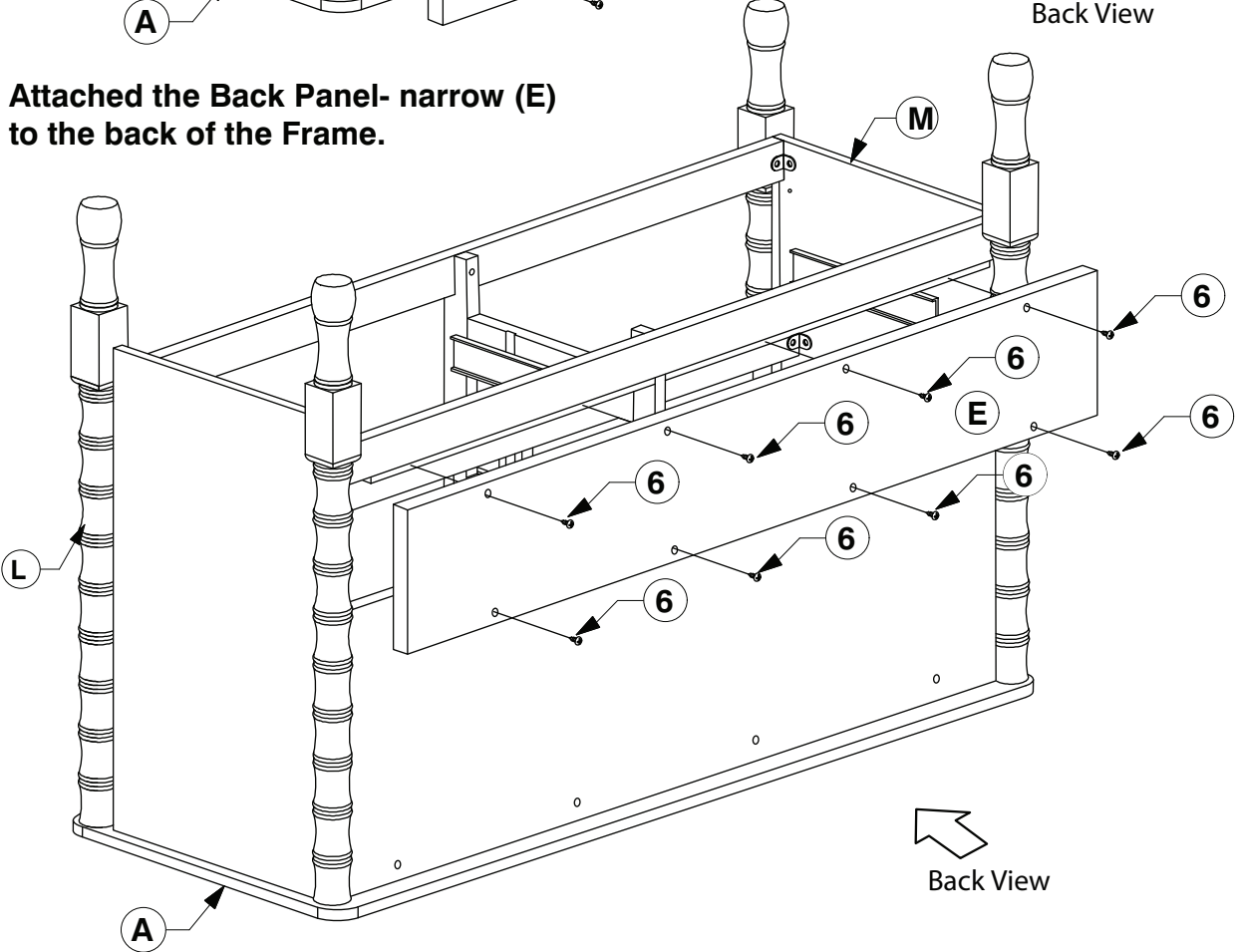
Assembly Instructions

WI-0425

8 Attached the Back Panel- wider (B) to the back of the Frame.



9 Attached the Back Panel- narrow (E) to the back of the Frame.



9017 6 Drawer Dresser

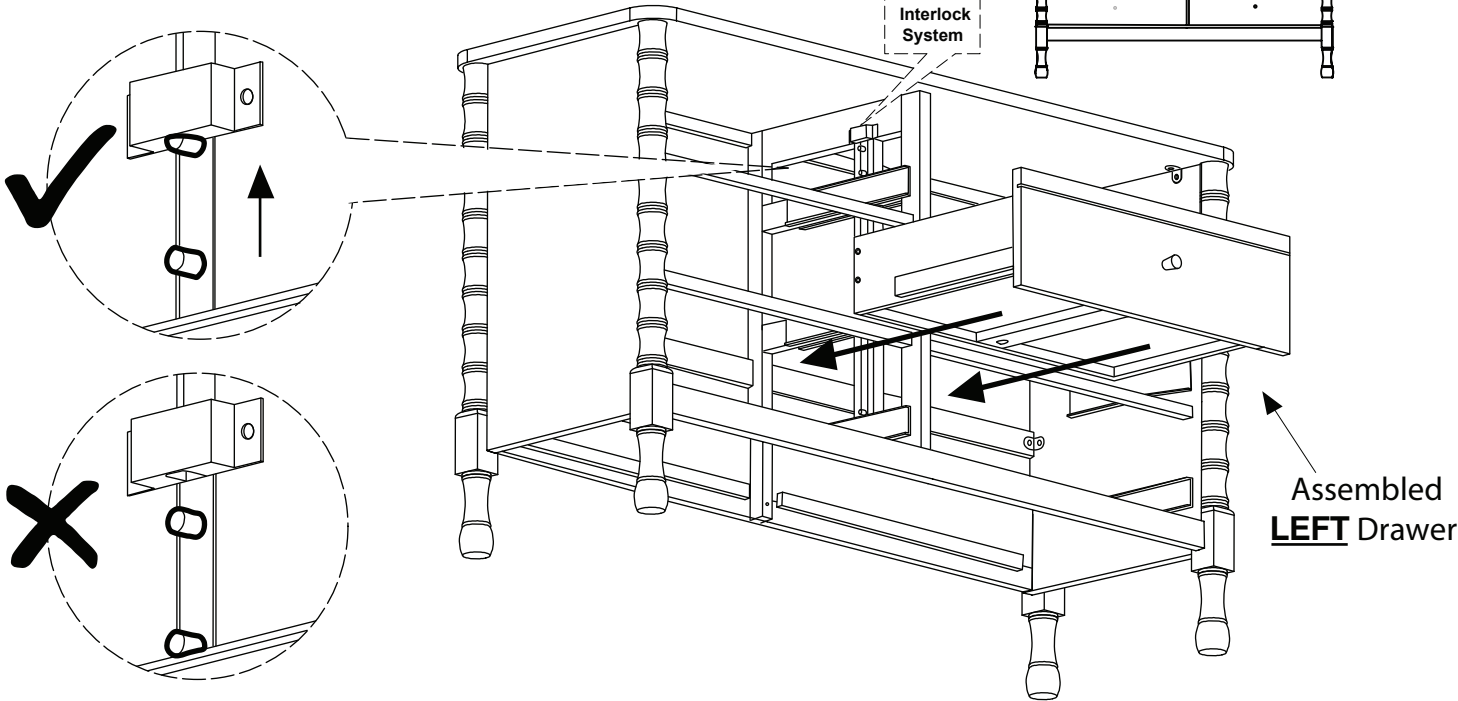
Assembly Instructions

WI-0425

10 Install the Drawers.

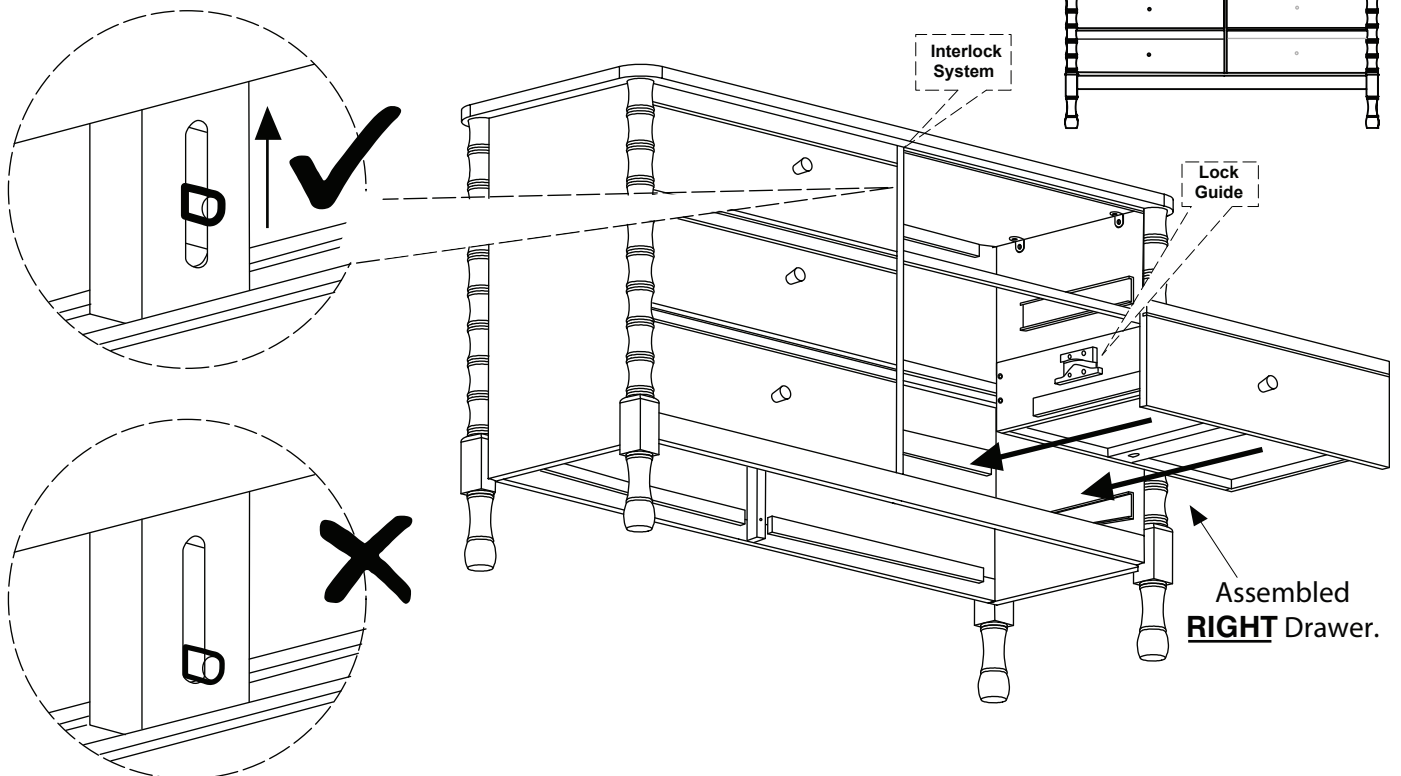
- Push the Interlock bar **upwards** before inserting the drawers.

LEFT



- Push the Interlock bar **upwards** before inserting the drawers.

RIGHT



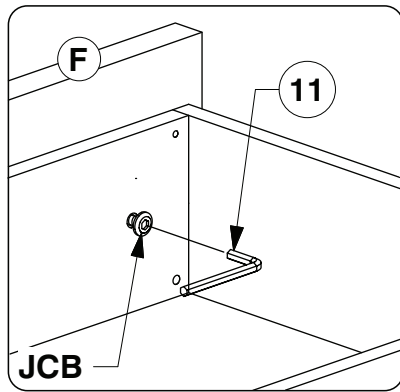
9017 6 Drawer Dresser

Assembly Instructions

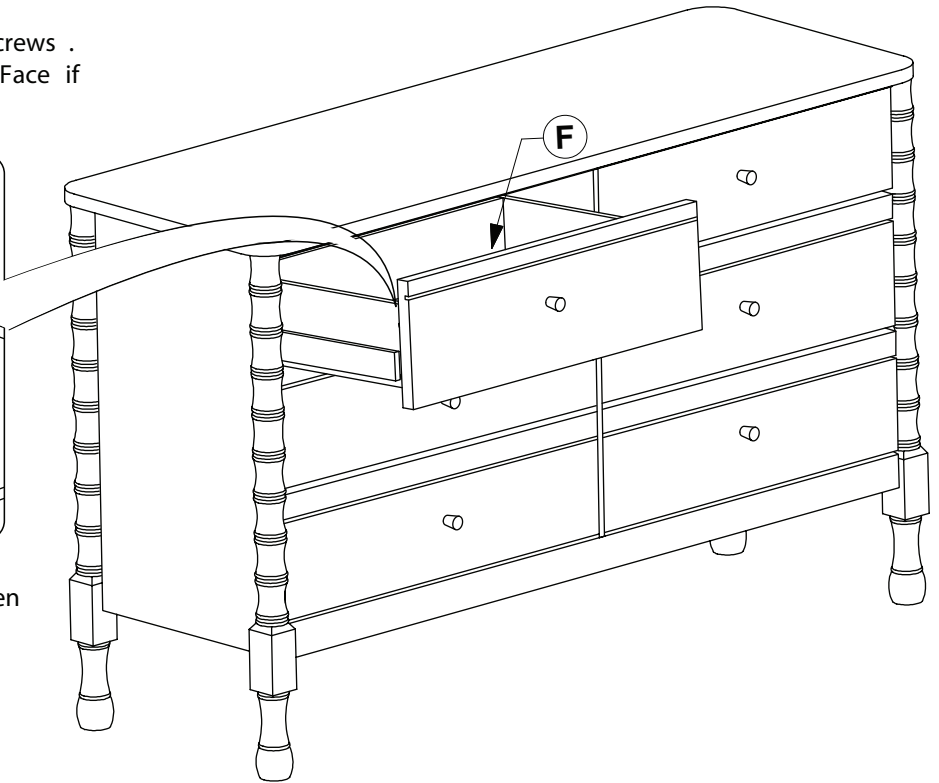
WI-0425

11 Adjust the Drawer Face (F).

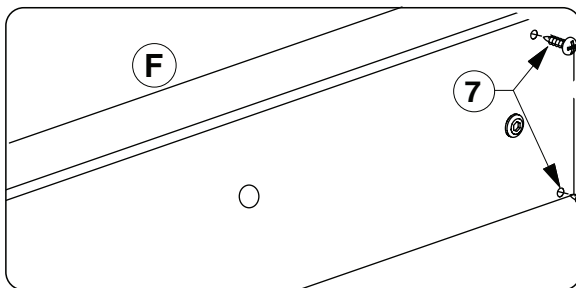
- * NOTE: Before fitting the Wood Screws .
Losen the JCBs on the Drawer Face if the face needs alignment.



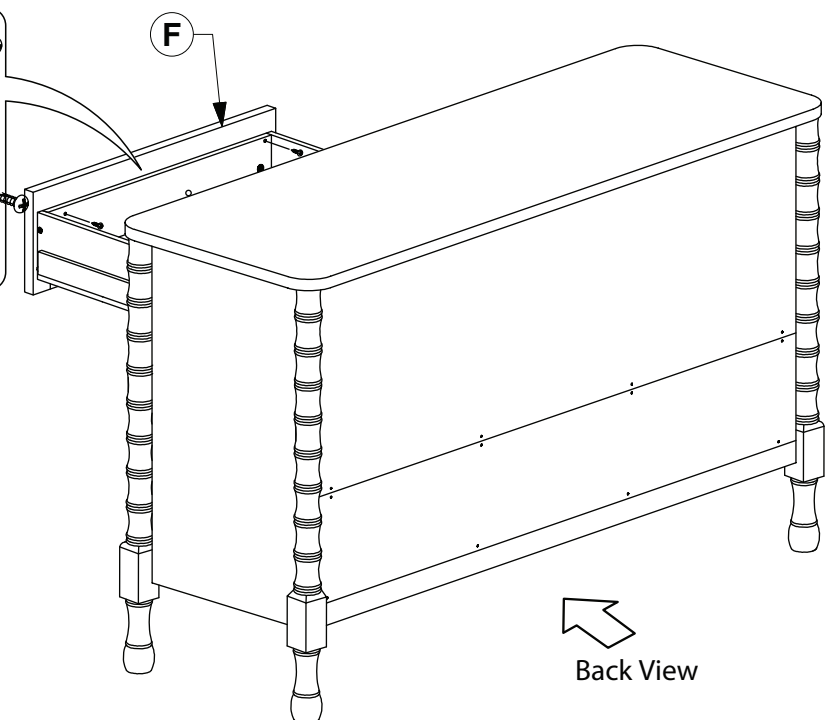
- * NOTE: Only one Drawer can be open at a time.



12 After the Drawer Faces (F) are aligned, secure with wood screws.



- * NOTE: Only one Drawer can be open at a time.



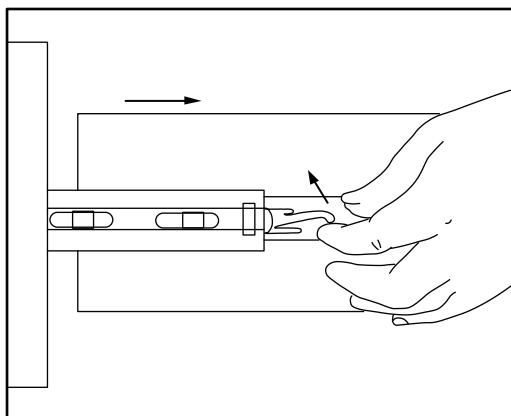
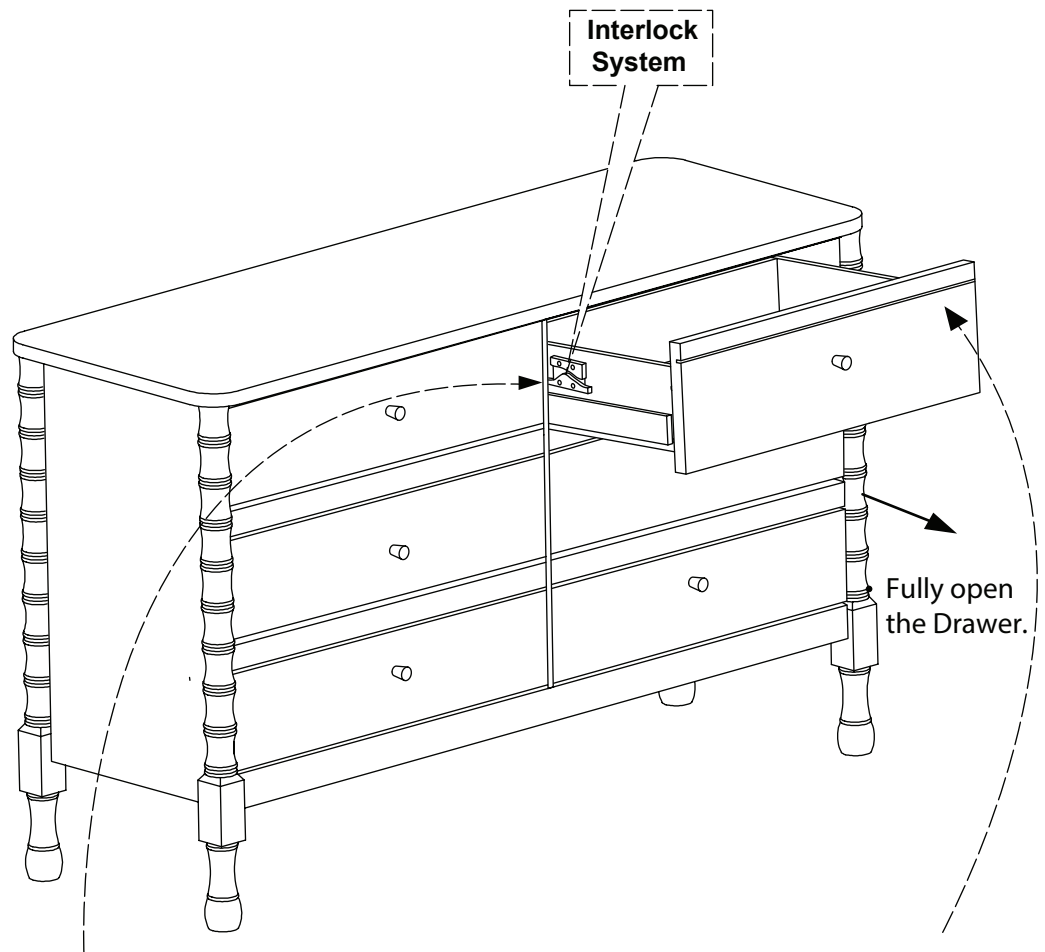
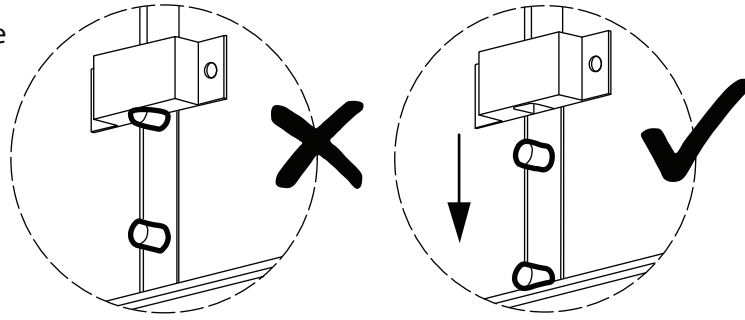
9017 6 Drawer Dresser

Assembly Instructions

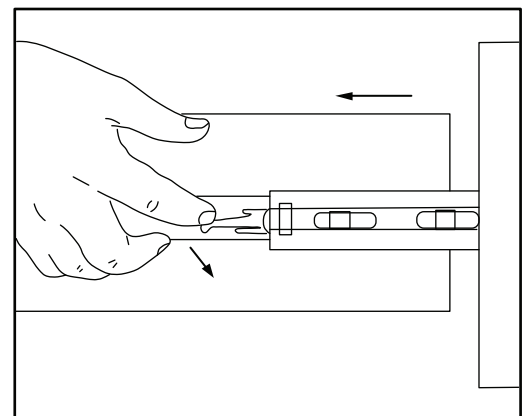
WI-0425

13 Remove the Drawers.

- After removing the top drawer, push the interlock bar **down**. Then remove the lower drawers.



- Lift the **LEFT** side clip **up**.

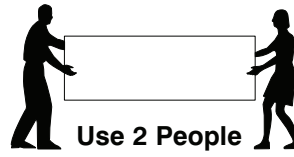
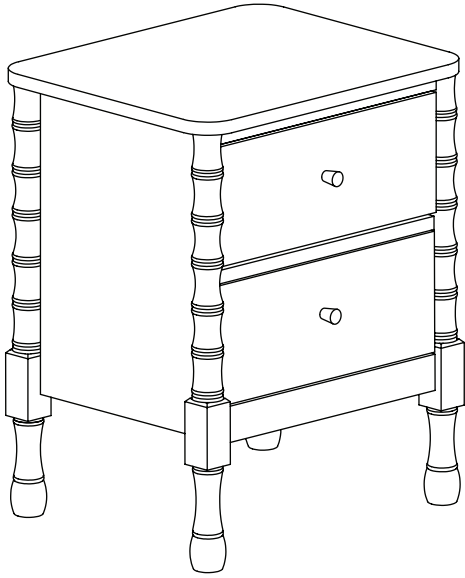


- Push the **RIGHT** side clip **down**.

9017 2D Side Table

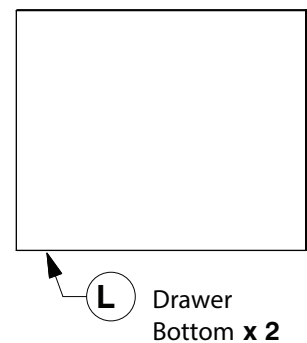
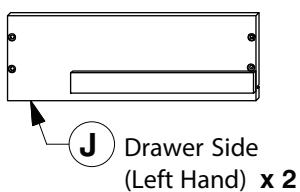
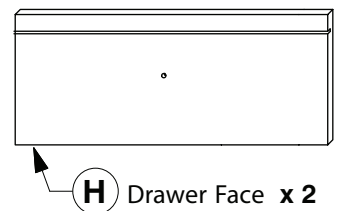
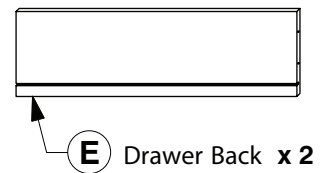
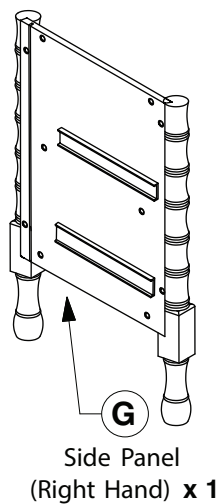
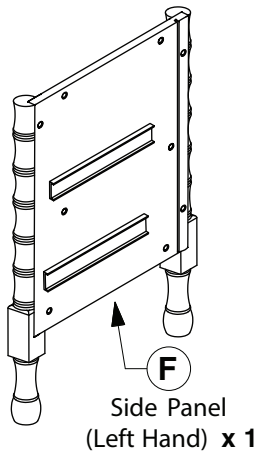
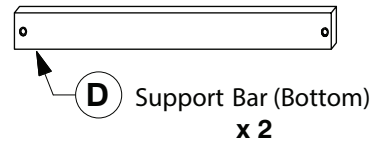
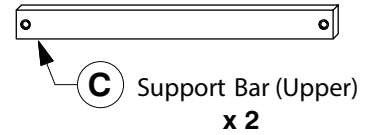
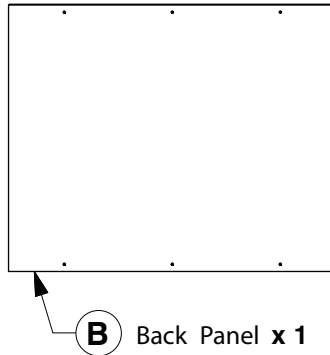
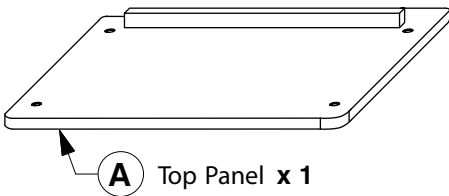
Assembly Instructions

WI-0425



Note: Do not assemble using power tools. This can cause the bolts to be overtightened

1 Parts List



9017 2D Side Table

Assembly Instructions

WI-0425

2 Hardware List

1 M6 x 15mm
JCB x 24

2 'L' Bracket
(5005-3) x 12

3 M4 x 25mm
Wood Screw x 16

4 M4 x 16mm
Wood Screw x 6

5 M4 x 20mm
Wood Screw x 8

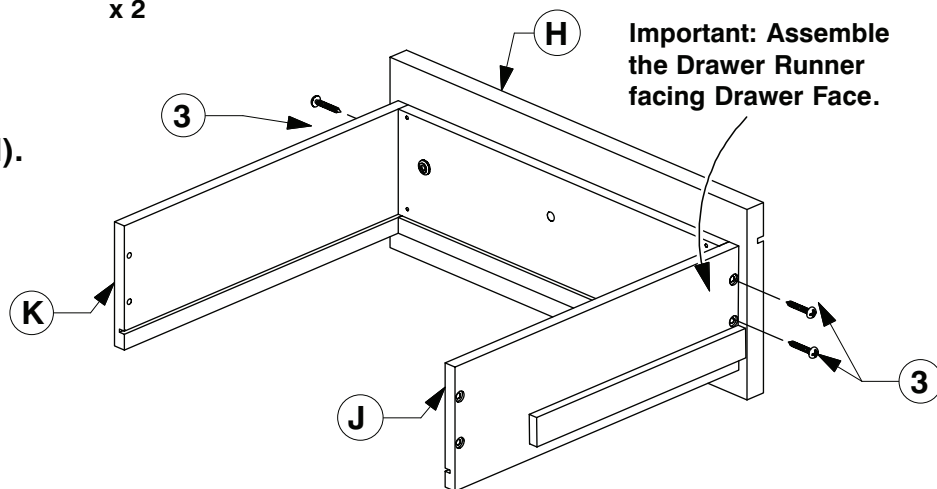
6 (1005)
Handle x 2

7 M4 x 20mm
Wood Screw x 2

8 Allen Key
x 1

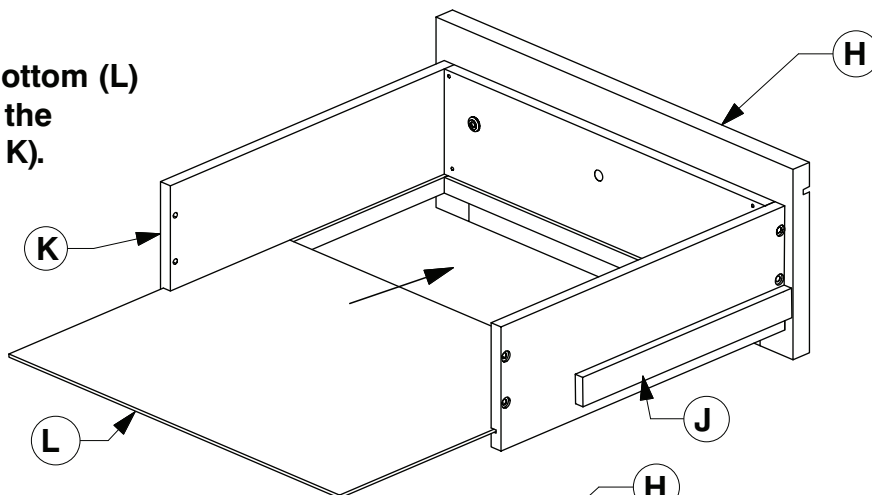
3 Assemble the Drawer Sides (J & K) to the Drawer Face (H).

x2



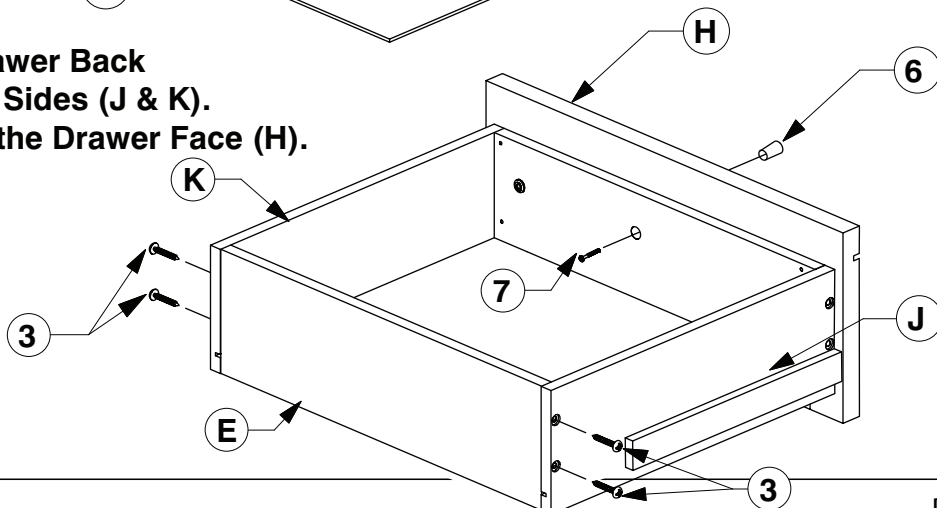
4 Slide the Drawer Bottom (L) into the groove on the Drawer Sides (J & K).

x2



5 Assemble the Drawer Back (E) to the Drawer Sides (J & K). Fit the Handle to the Drawer Face (H).

x2

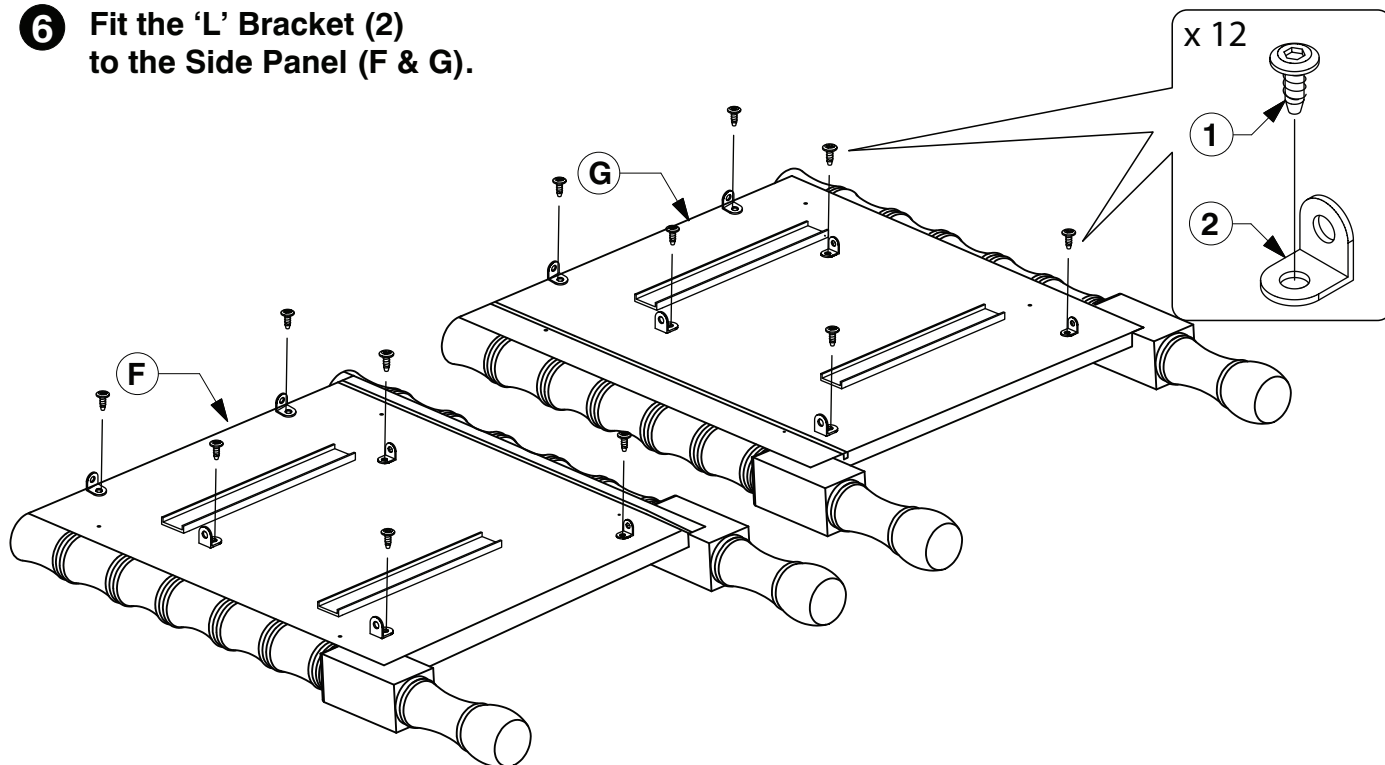


9017 2D Side Table

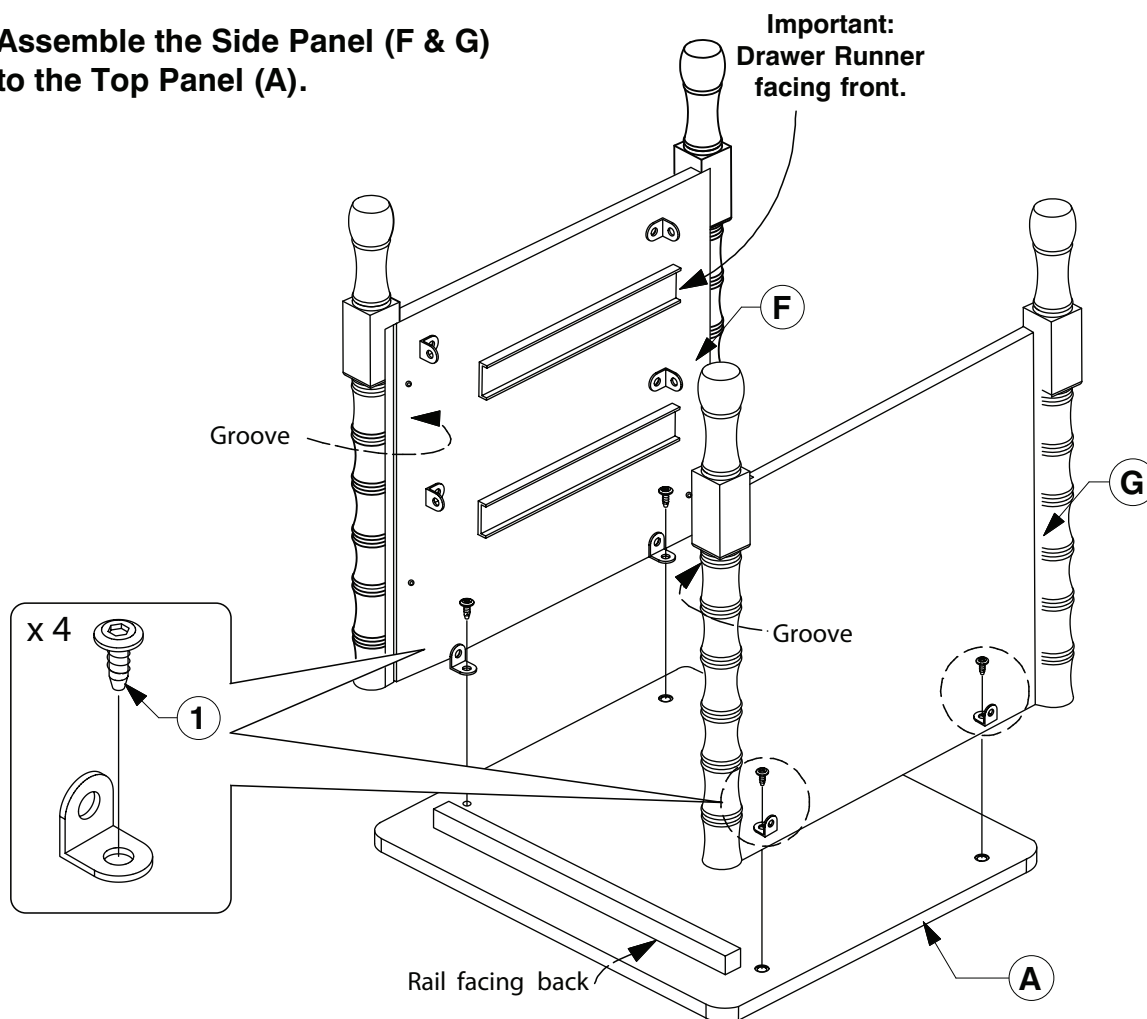
Assembly Instructions

WI-0425

- 6** Fit the 'L' Bracket (2) to the Side Panel (F & G).



- 7** Assemble the Side Panel (F & G) to the Top Panel (A).

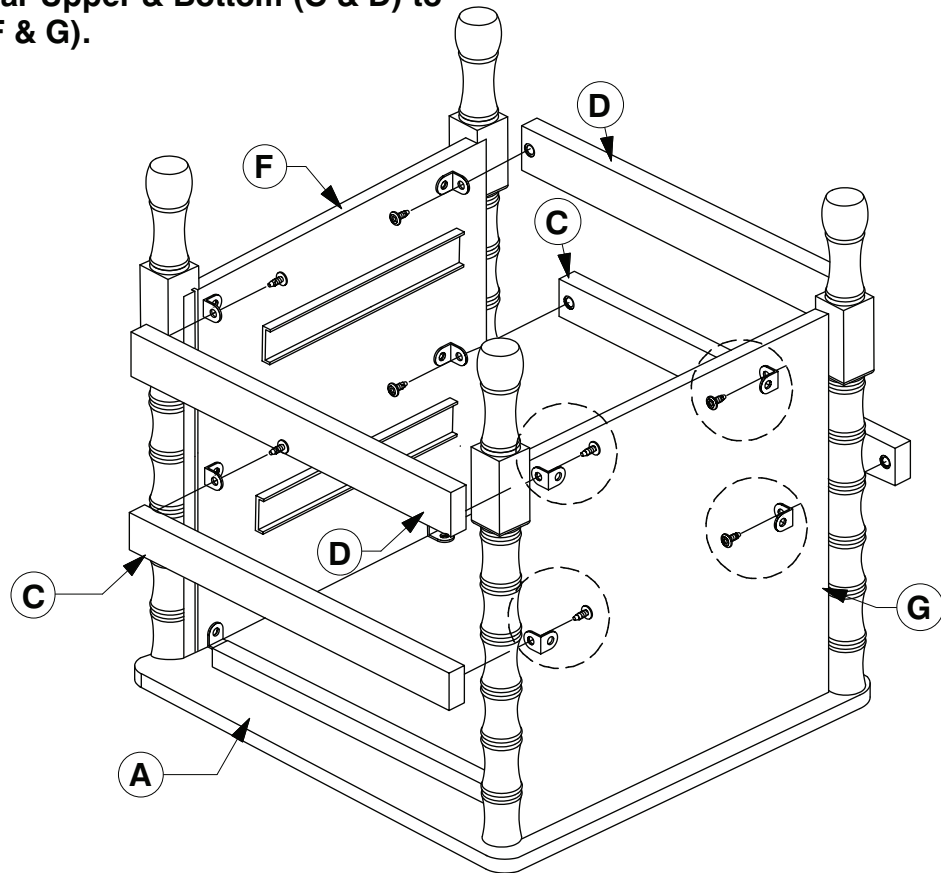


9017 2D Side Table

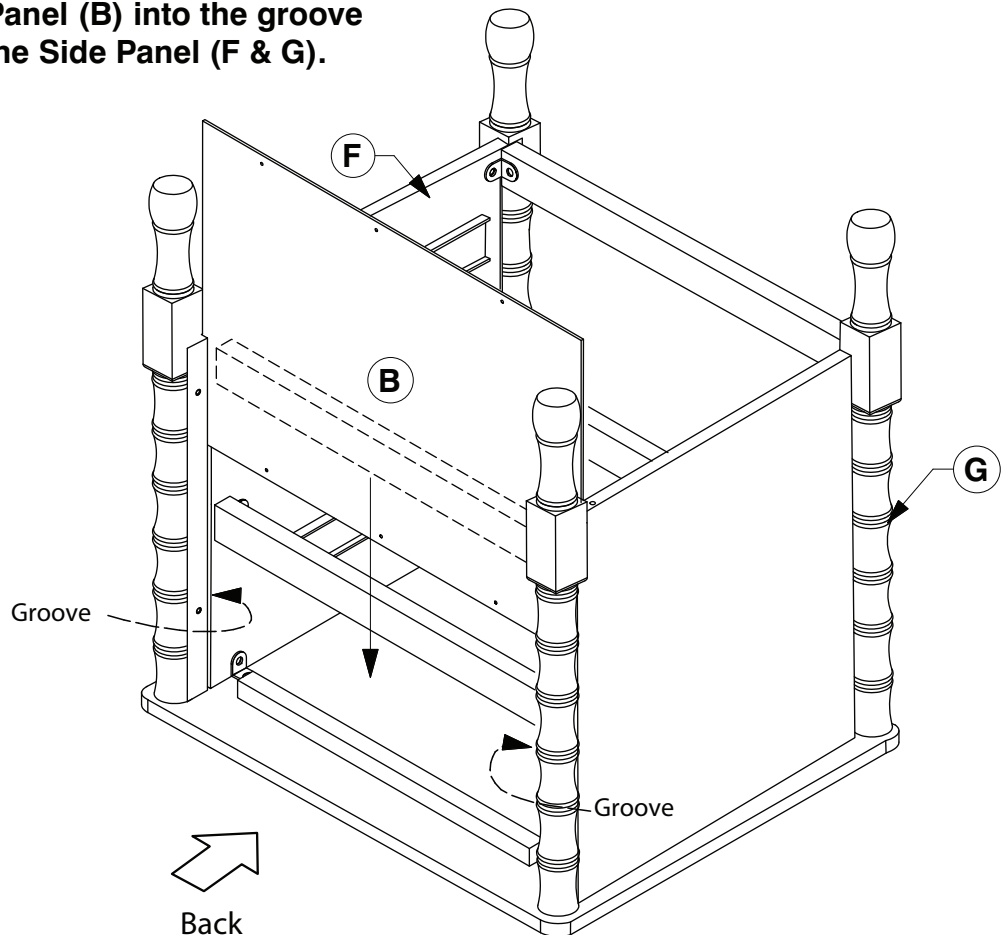
Assembly Instructions

WI-0425

- 8** Fit the Support Bar Upper & Bottom (C & D) to the Side Panel (F & G).



- 9** Slide the Back Panel (B) into the groove on the back of the Side Panel (F & G).

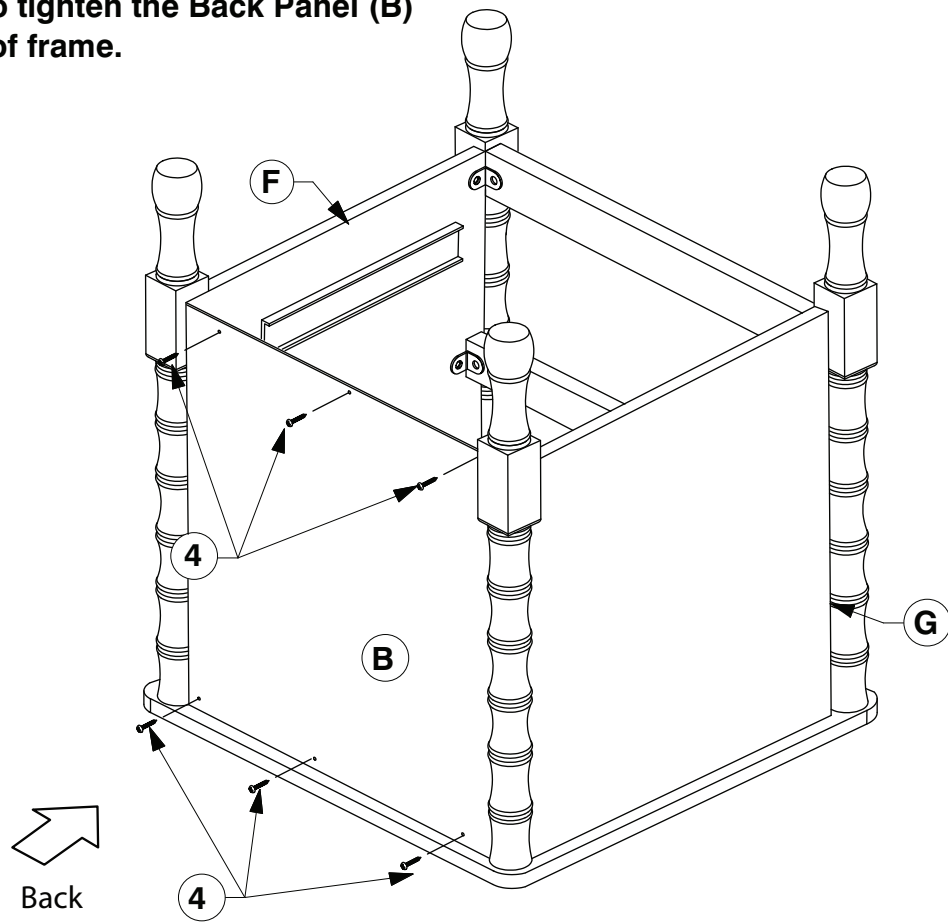


9017 2D Side Table

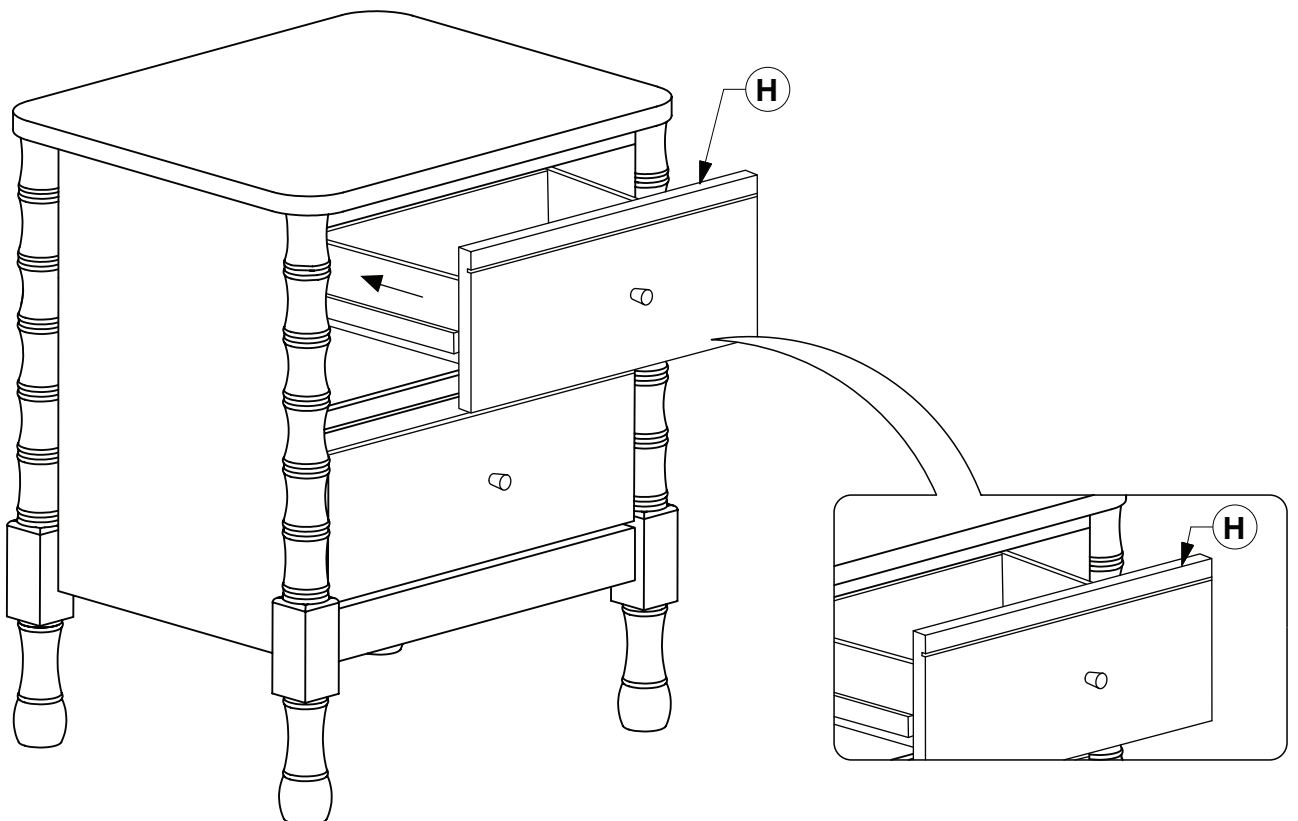
Assembly Instructions

WI-0425

- 10** Use Screw to tighten the Back Panel (B) to the back of frame.



- 11** Fit the Drawer Box to the casegood body.



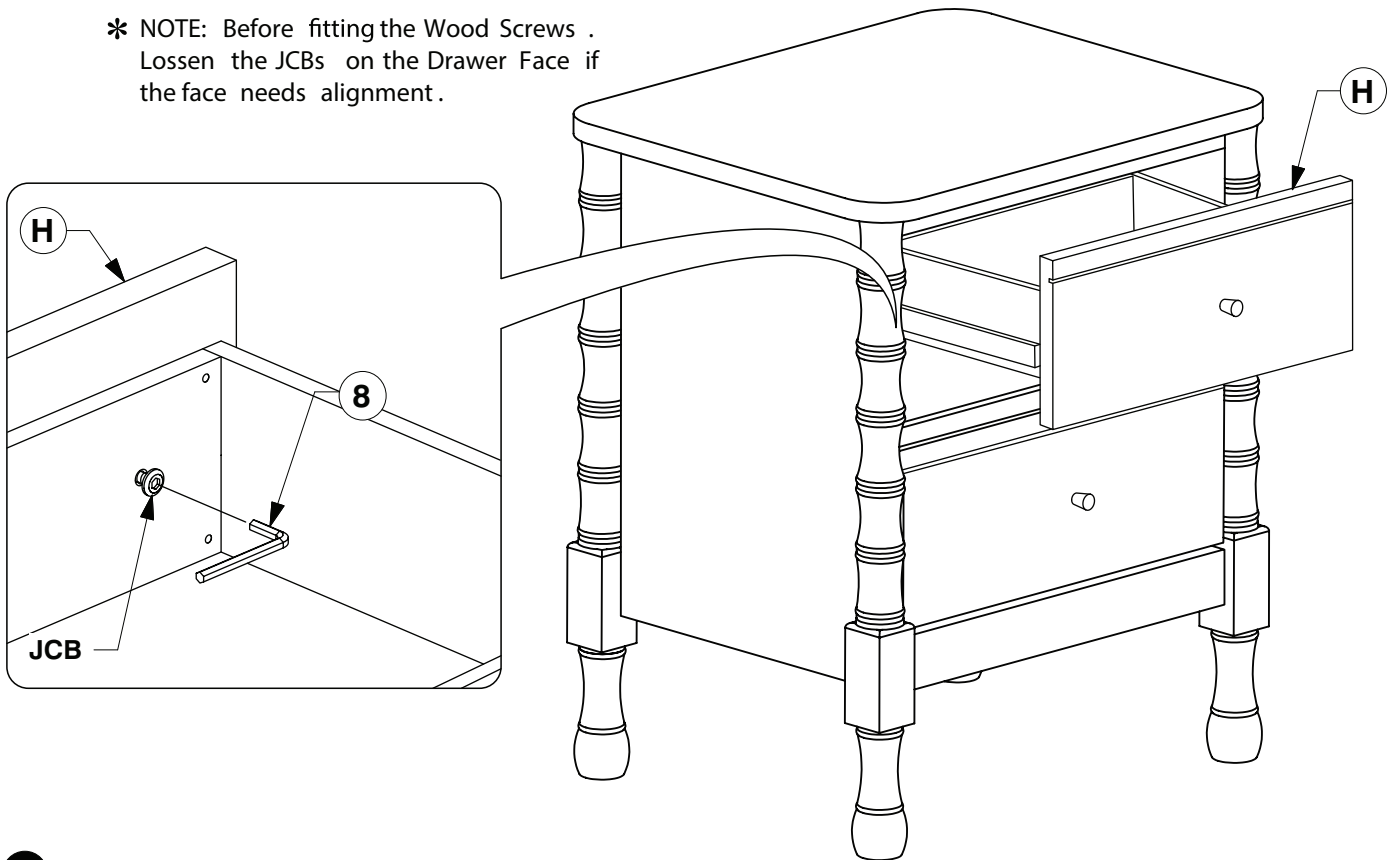
9017 2D Side Table

Assembly Instructions

WI-0425

12 Fit and adjust the Drawer Face (H).

* NOTE: Before fitting the Wood Screws .
Losen the JCBs on the Drawer Face if
the face needs alignment .



13 After the Drawer Faces (H) are aligned, secure with wood screws.

