

RONI NIGHTSTAND

ASSEMBLY TIPS

1. Remove hardware from box and sort by size.
2. Please ensure that all hardware and parts are presented prior start of assembly.
3. Please follow attached instruction in the same sequence as numbered to assure fast and easy assembly.



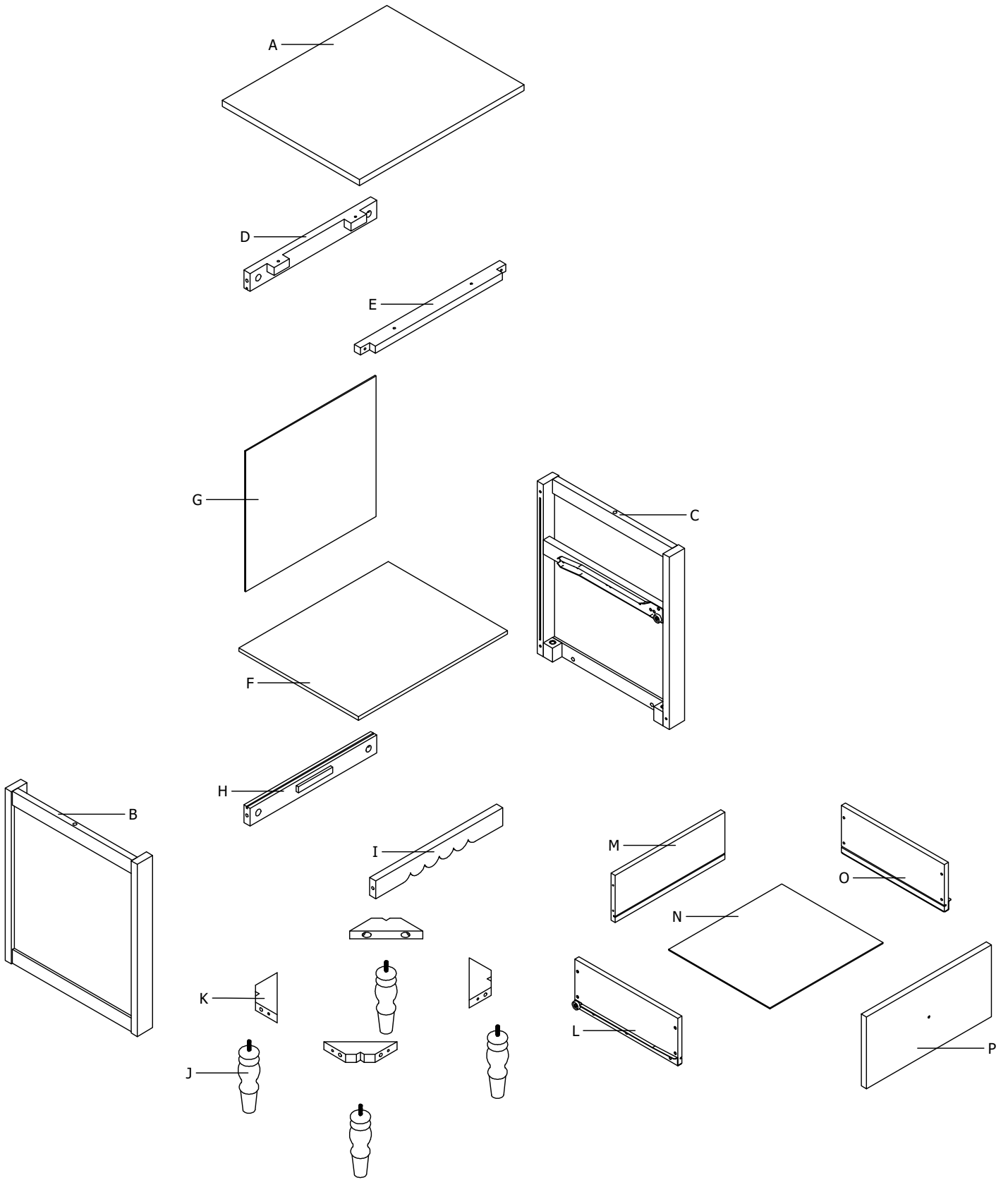
WARNING !

1. Don't attempt to repair or modify part that are broken or defective. Please contact with the store immediately.
2. This product is for home use only and not intended for commercial establishment.



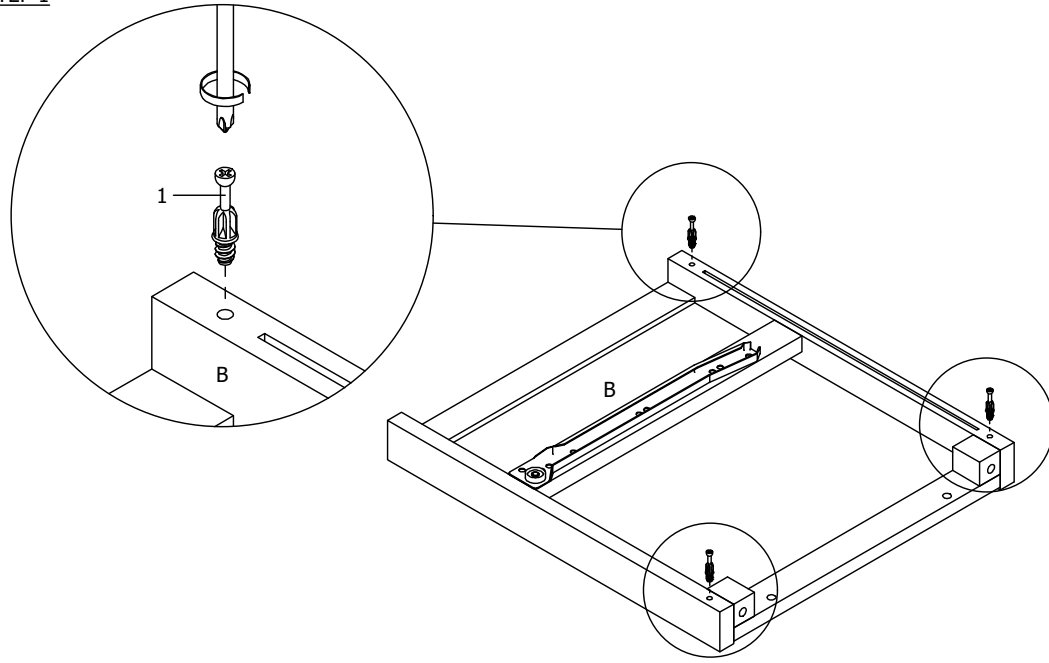
NO	HARDWARE LIST	QTY	NO	HARDWARE LIST	QTY
1	MINIFIX 	6 PCS	5	CSK M4 x 20mm 	8 PCS
2	HOUSING 10mm 	6 PCS	6	CSK M4 x 25mm 	12 PCS
3	W/DOWEL M8 x 30mm 	6 PCS	7	HANDLE(GOLD) 	1 PCS
4	THMS M4 x 20mm 	1 PCS			

PART LIST

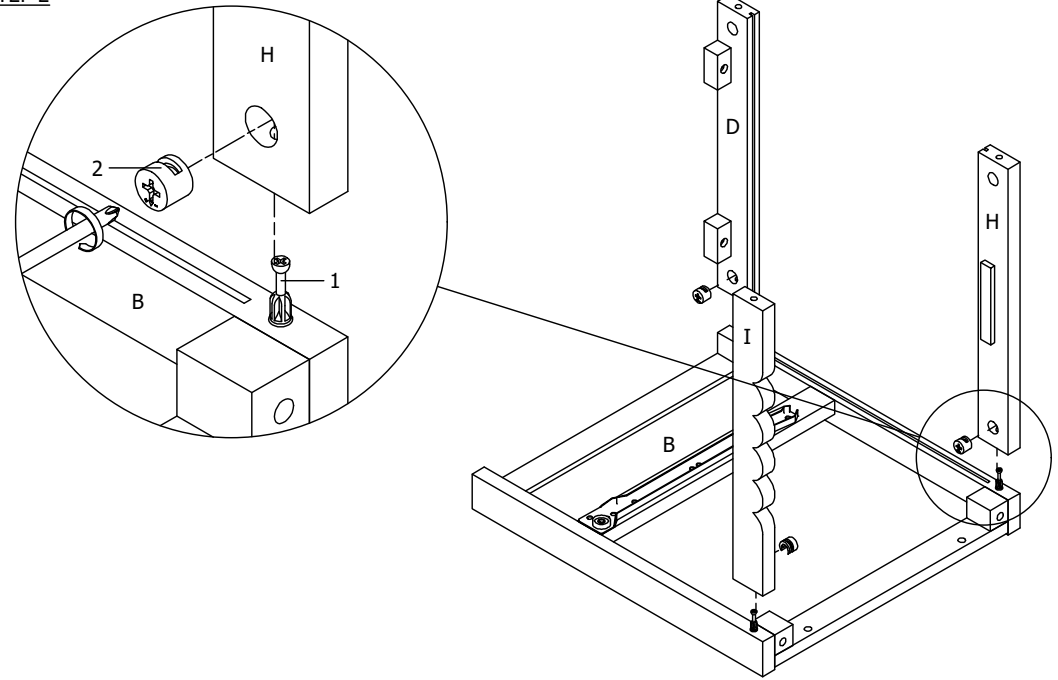


ASSEMBLY INSTRUCTION

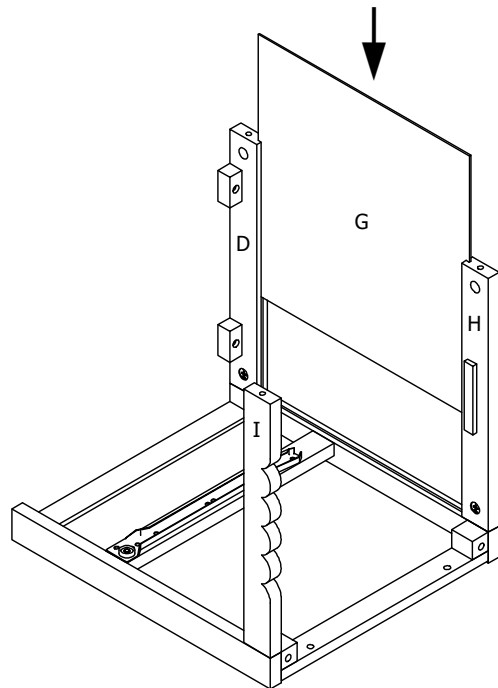
STEP 1



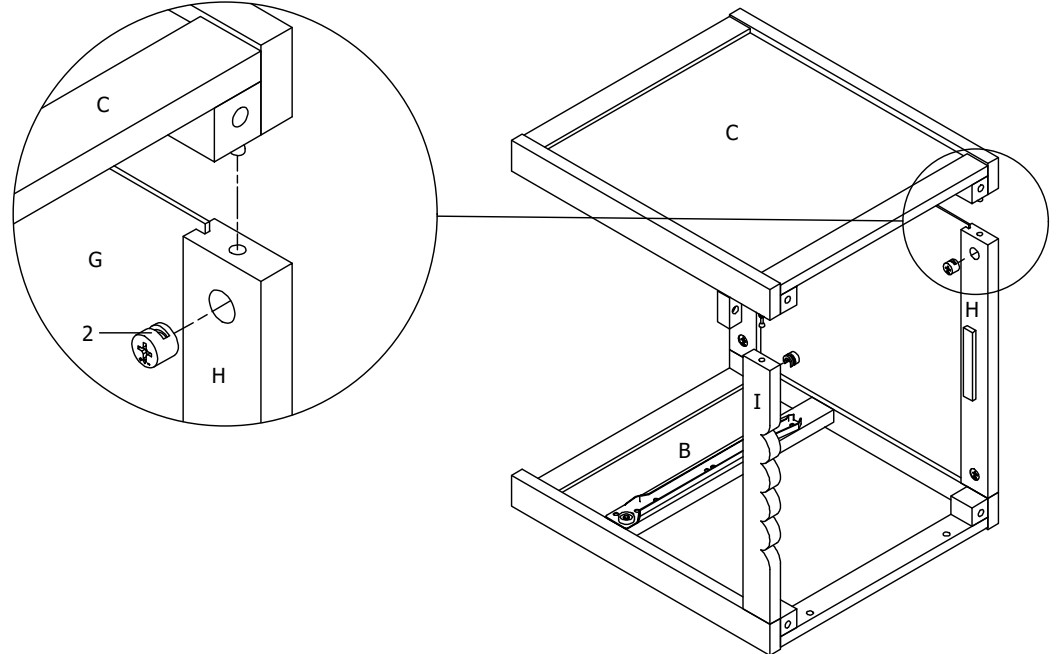
STEP 2



STEP 3

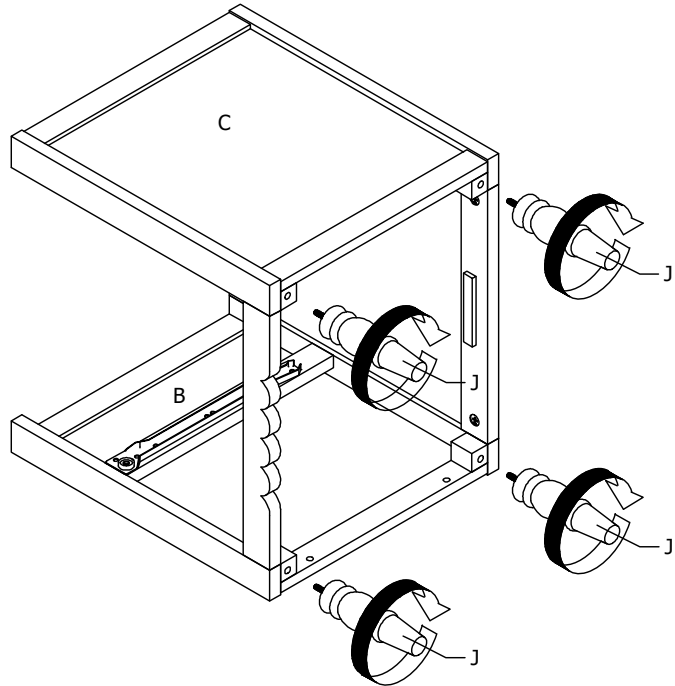


STEP 4

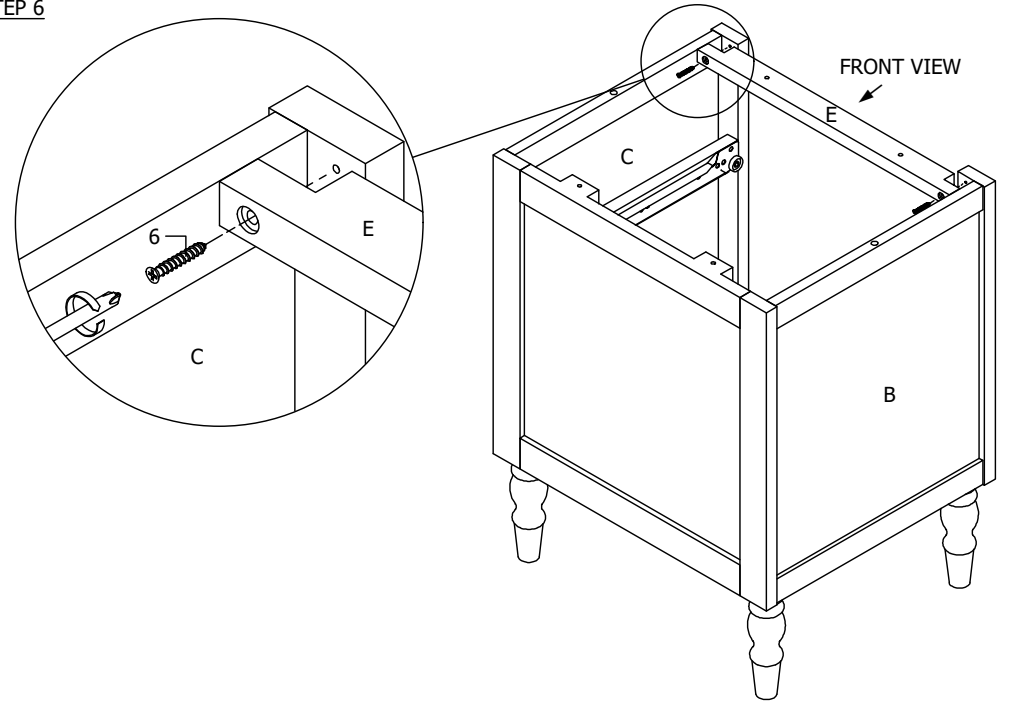


ASSEMBLY INSTRUCTION

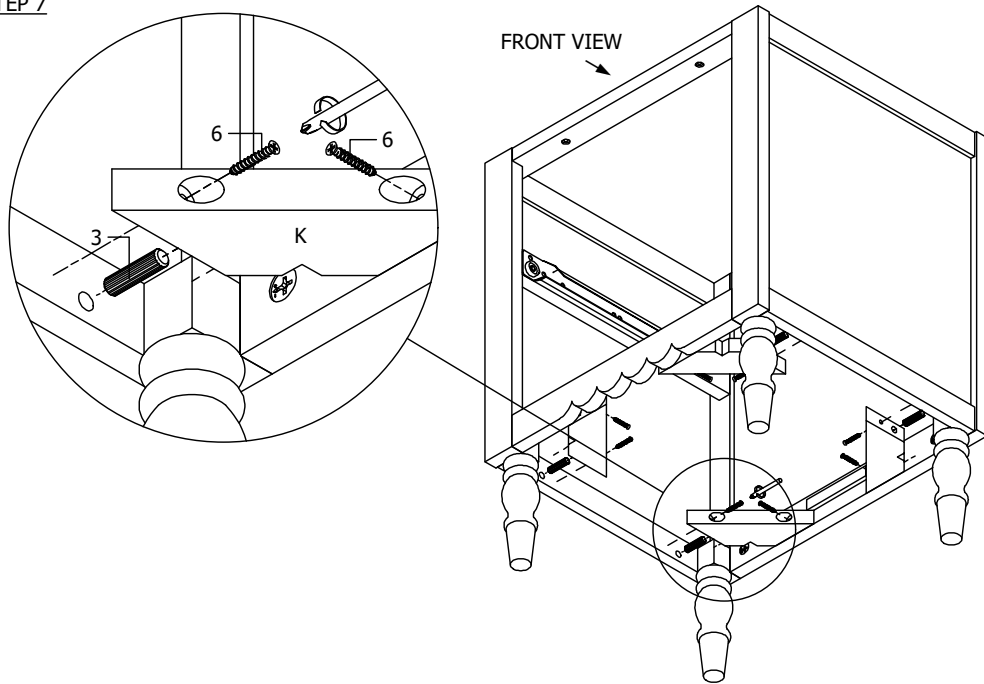
STEP 5



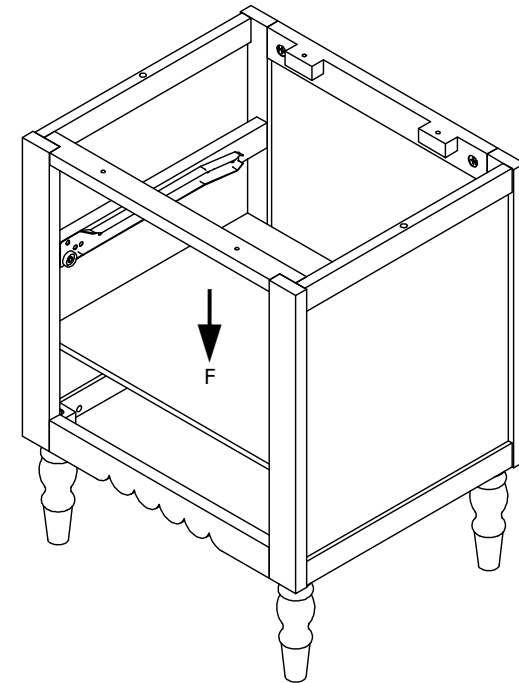
STEP 6



STEP 7

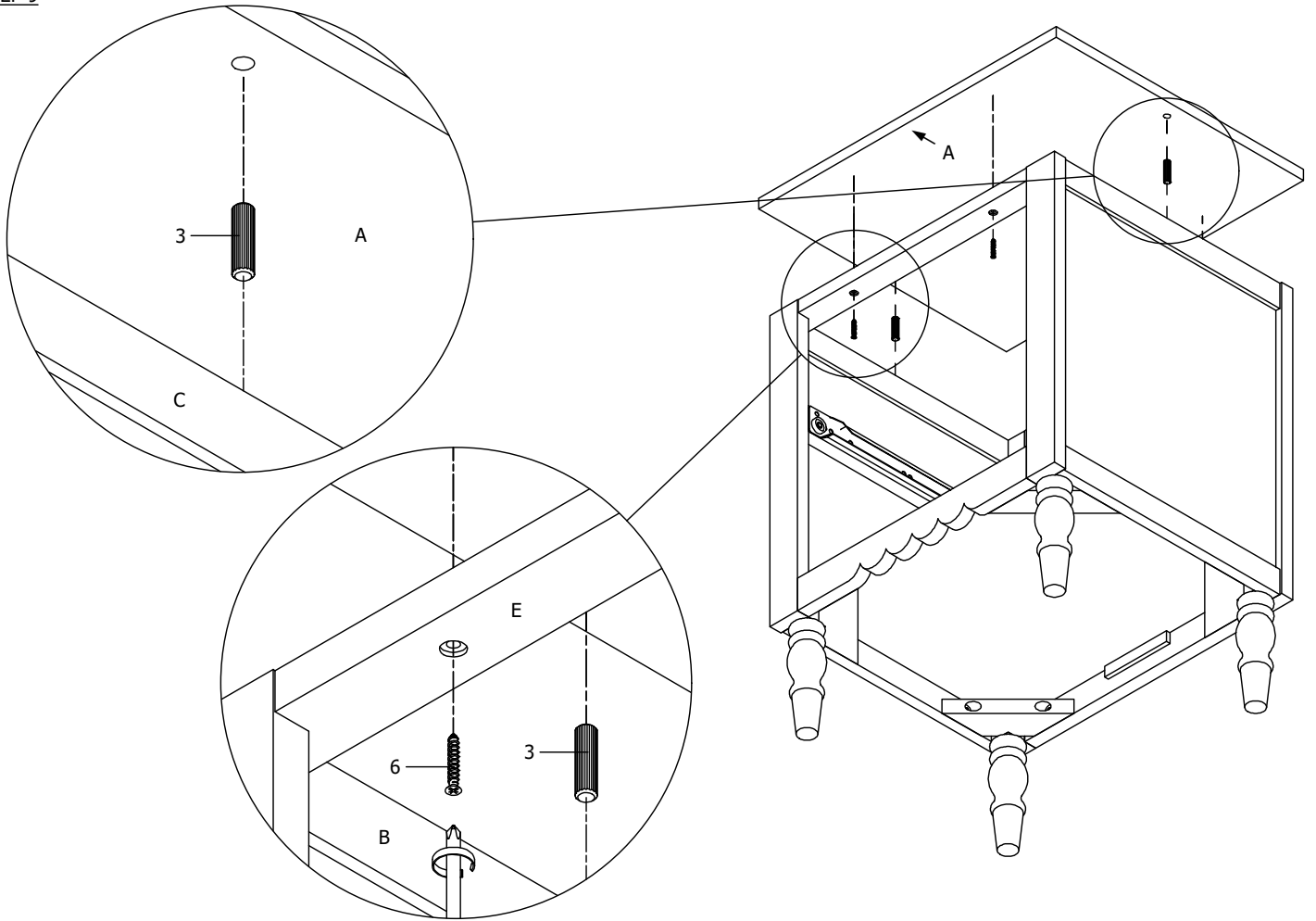


STEP 8



ASSEMBLY INSTRUCTION

STEP 9



STEP 10 (ASSEMBLY COMPLETE)

