

Read this instruction carefully. See hardware and furniture part list for guidance. Be sure all parts are complete, before you assemble. Place all wooden furniture parts on a clean and flat soft surface to prevent from being scratched. Follow the figure to start assembling.

**CAUTION :** 1. Do not FULLY - TIGHTEN the nuts or nuts bolts until they are ready for assembly.  
 2. Do not OVER - TIGHTEN the nuts or bolts to avoid causing damages to the thread.  
 3. Keep all hardware parts out of reach of children.

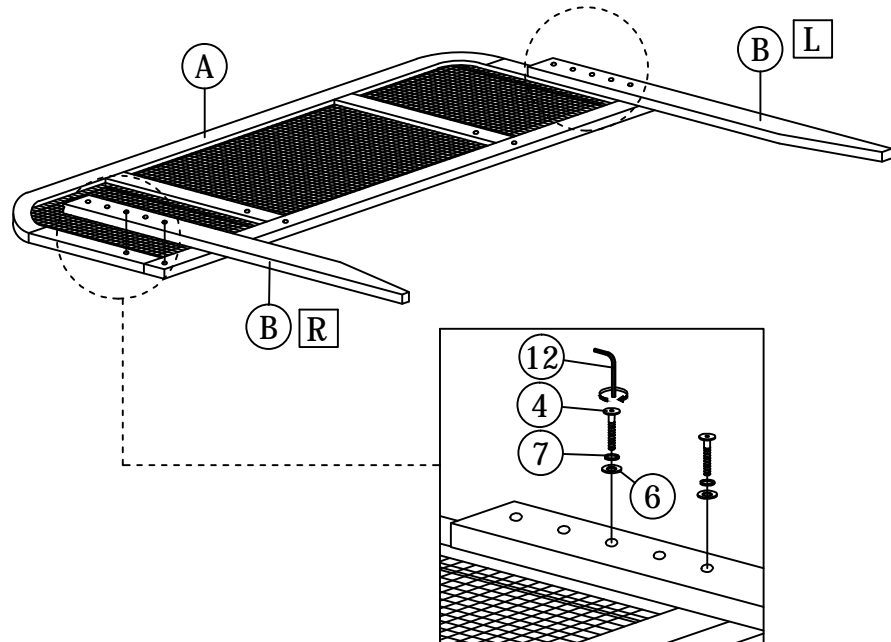
**NOTE :** THE LIST AND QUANTITY SHOWN ARE FOR 1 UNIT ASSEMBLY.  
 Tools needed : Screwdriver (not provided).

PART LIST			
ITEM	DESCRIPTION	BOX	QTY
A	HEADBOARD	1	1 PC
B	HEADBOARD WOOD L/R	1	2 PCS
C	HEADBOARD WOOD CENTER	1	2 PCS
D	FOOTBOARD	1	1 PC
E	SIDE RAIL (L)	1	2 PCS
F	SIDE RAIL (R)	1	2 PCS
G	SIDE RAIL LEG	1	2 PCS
H	CENTER RAIL	1	2 PCS
I	CENTER SUPPORT LEG	1	4 PCS
J	BED SLAT	1	2 SET
K	HEADBOARD SUPPORT RAIL	1	1 PC

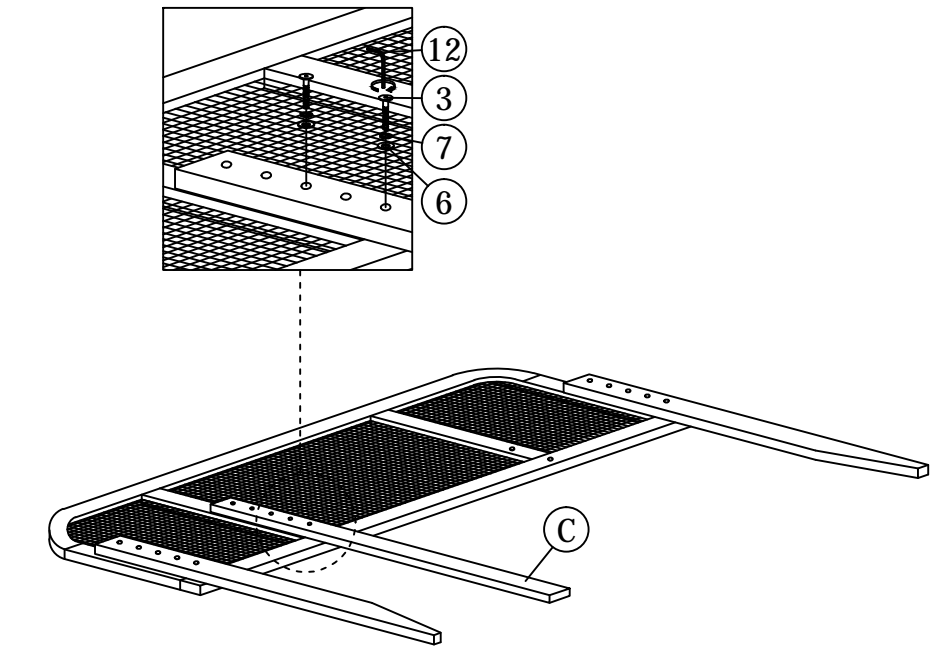
HARDWARE LIST (BOX : 1)			
ITEM	DESCRIPTION		QTY
1	JCBC BOLT M6 x 20mm		8 PCS
2	JCBC BOLT M6 x 30mm		8 PCS
3	JCBC BOLT M6 x 35mm		6 PCS
4	JCBC BOLT M6 x 45mm		4 PCS
5	JCBC BOLT M6 x 50mm		10 PCS
6	M6 FLAT WASHER		24 PCS
7	M6 SPRING WASHER		26 PCS
8	WOOD SCREW M4 x 38mm		10 PCS
9	WOOD DOWEL M8 x 30mm		8 PCS
10	SHEET METAL (VMB 3076)		2 PCS
11	L BRACKET (VMB 3017) (BLACK)		2 PCS
12	M4 ALLEN KEY (BALL SHAPE)		1 PC
13	M6 BEND WASHER 3013 (RB)		8 PCS

## STEP 1

Align pre-drilled **Support Wood (B)** holes over the pre-drilled headboard holes according to your desired **Headboard (A)** height.



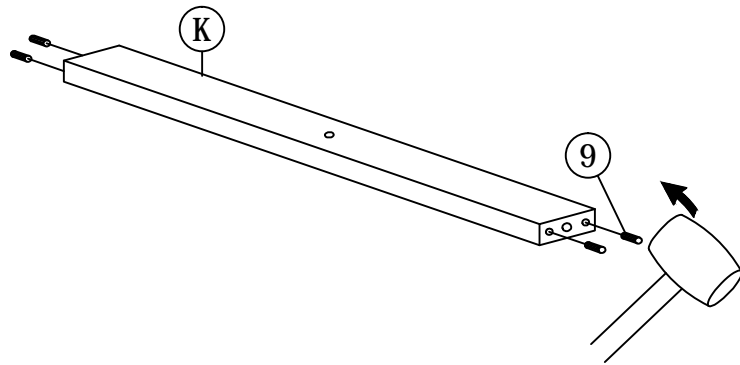
## STEP 2



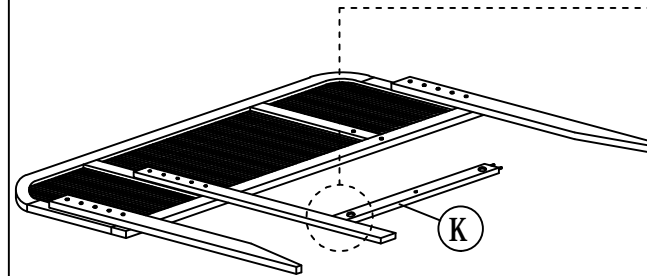
Align pre-drilled **Support Wood Center (C)** holes over the pre-drilled headboard holes according to your desired **Headboard (A)** height.

# ASSEMBLY INSTRUCTIONS

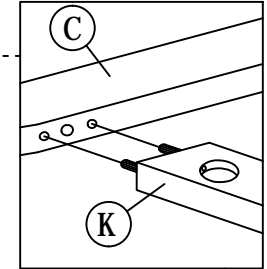
## STEP 3



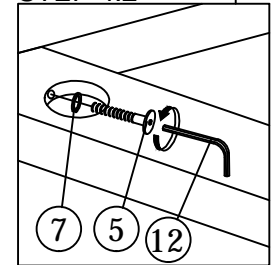
## STEP 4



### STEP 4.1



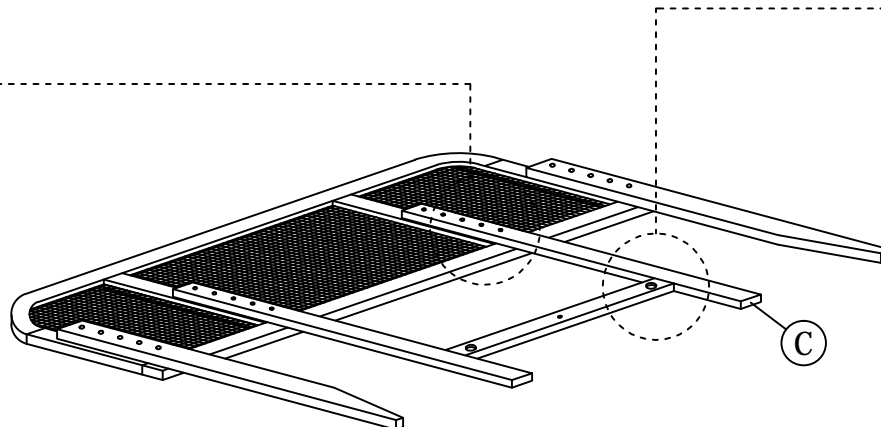
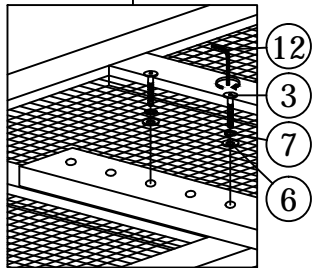
### STEP 4.2



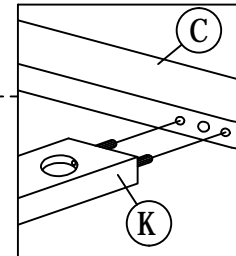
## STEP 5

Align pre-drilled **Support Wood Center (C)** holes over the pre-drilled headboard holes according to your desired **Headboard (A)** height.

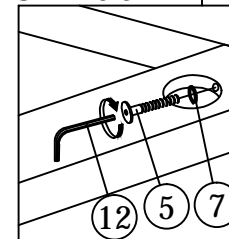
### STEP 5.1



### STEP 5.2

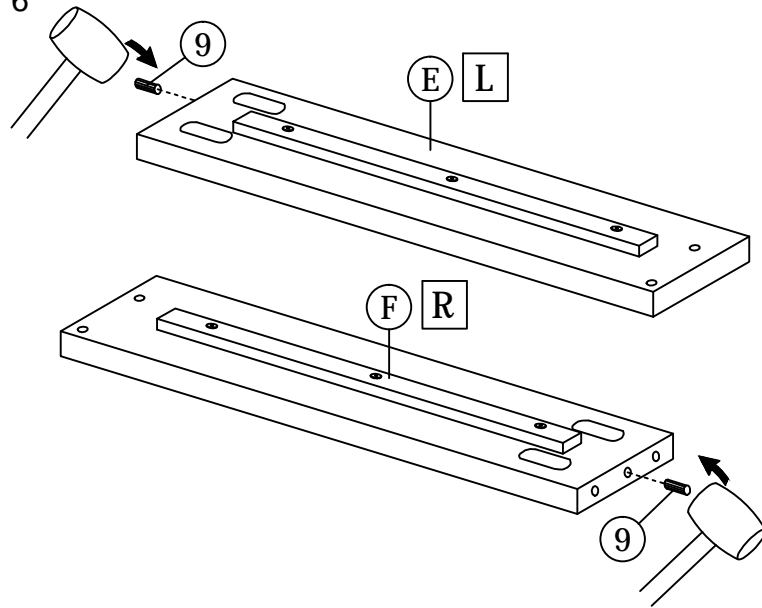


### STEP 5.3

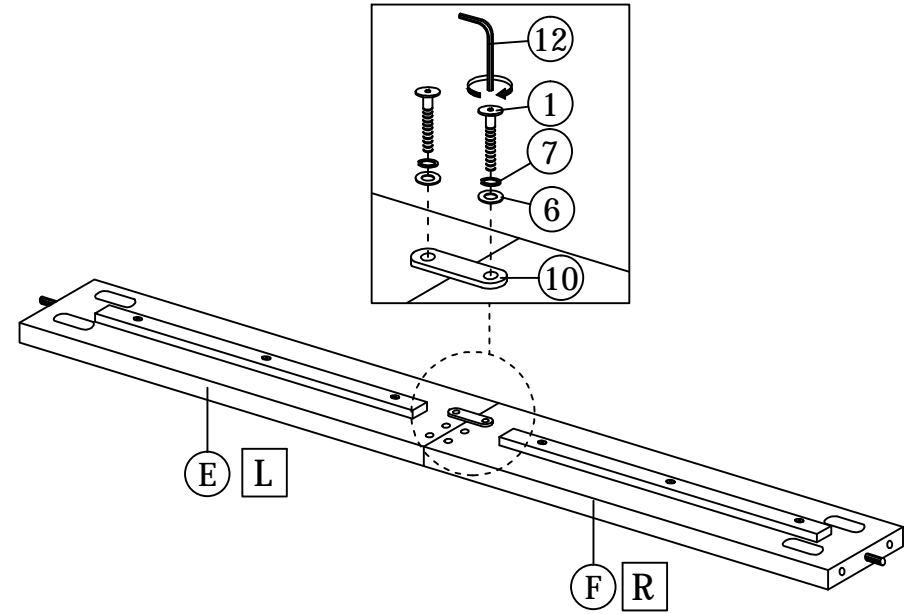


# ASSEMBLY INSTRUCTIONS

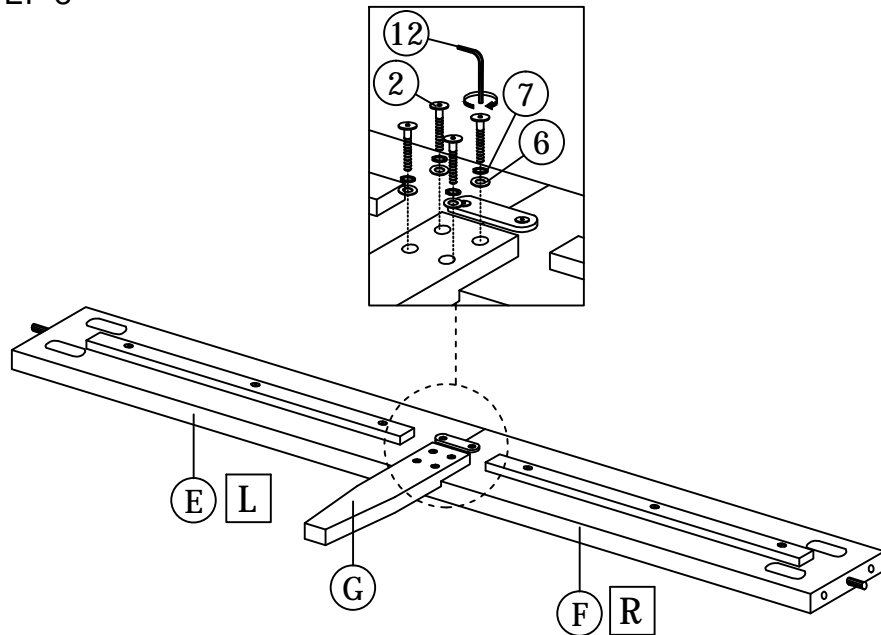
STEP 6



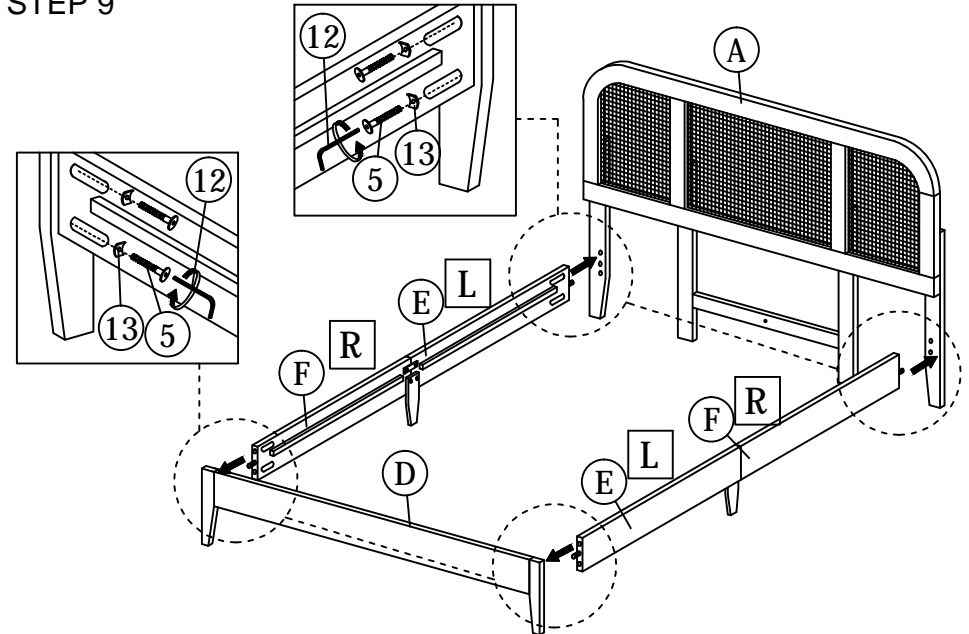
STEP 7



STEP 8

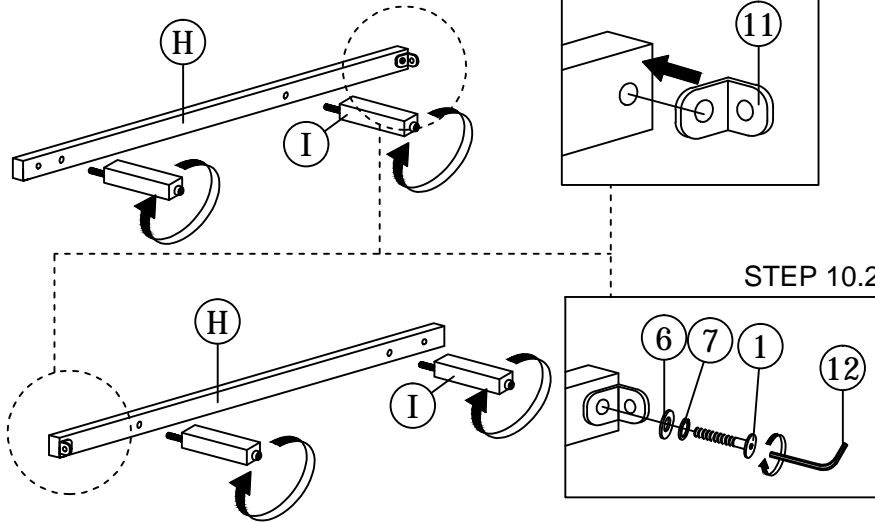


STEP 9

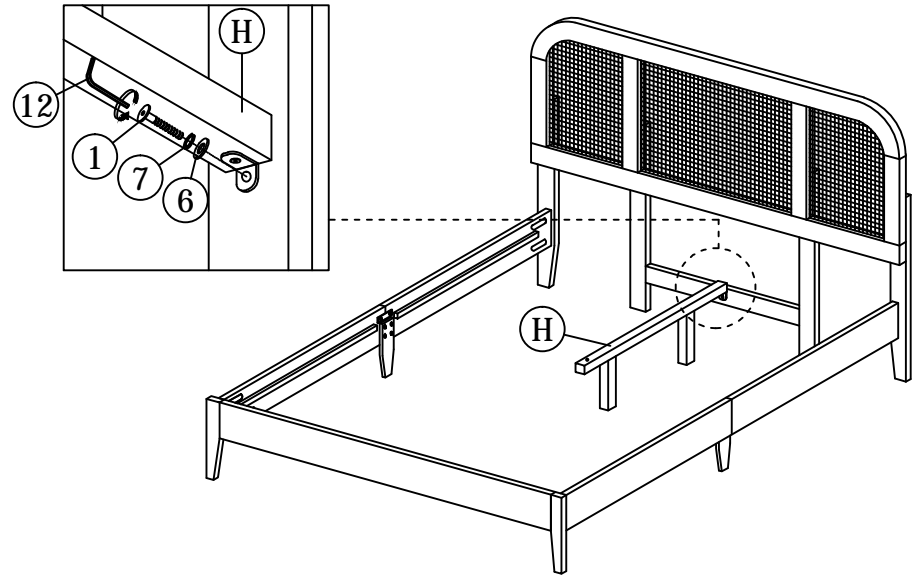


# ASSEMBLY INSTRUCTIONS

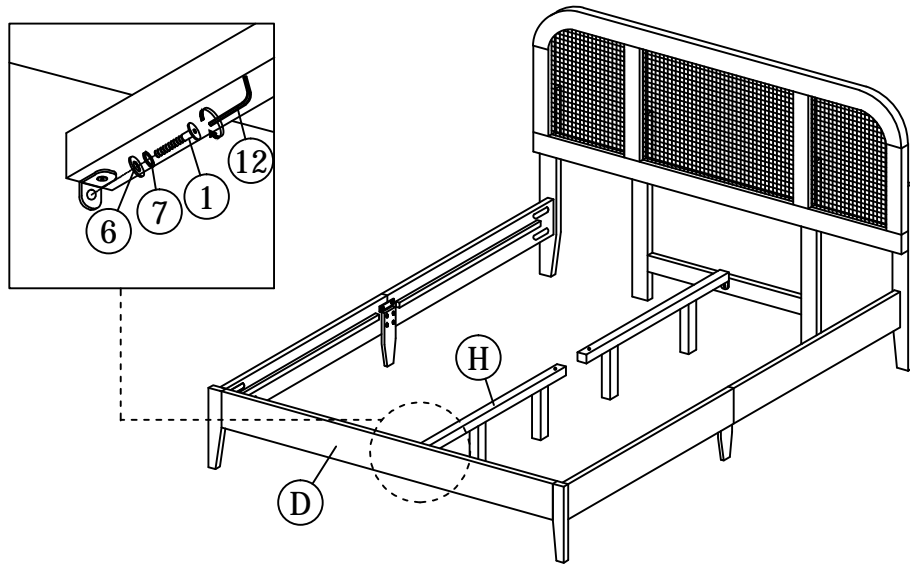
## STEP 10



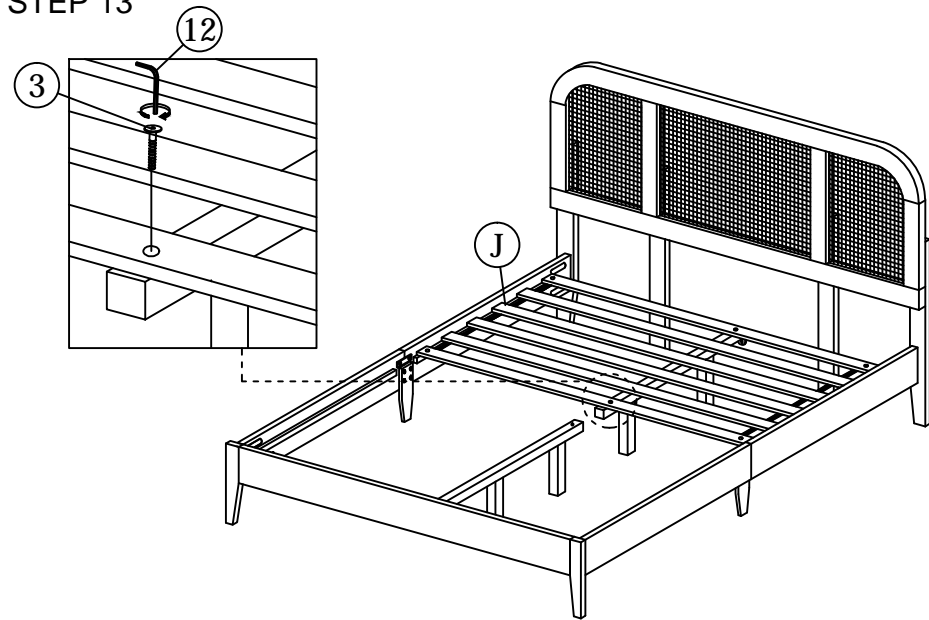
## STEP 11



## STEP 12

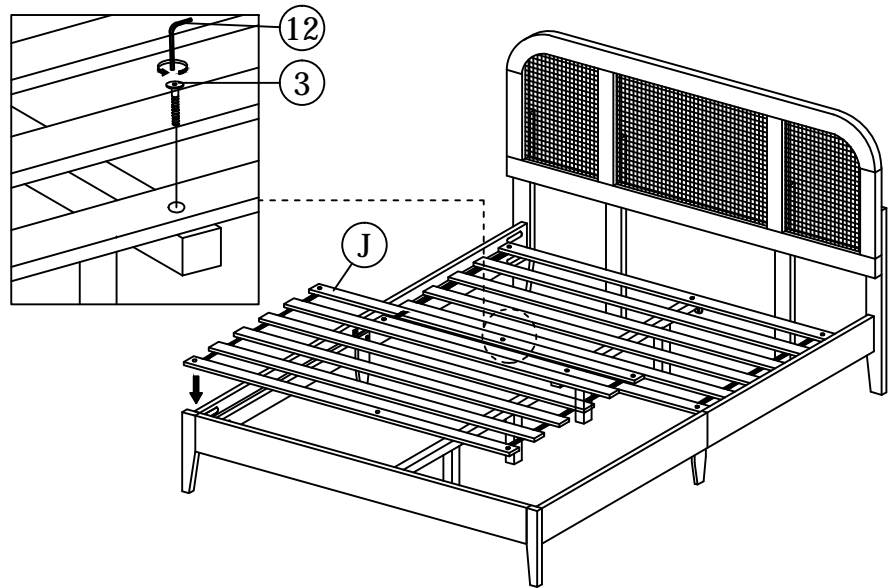


## STEP 13

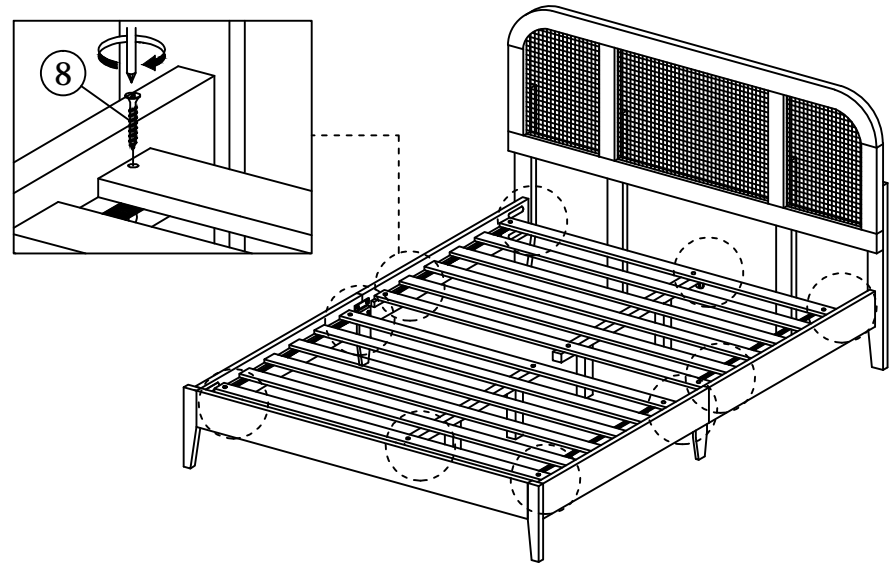


# ASSEMBLY INSTRUCTIONS

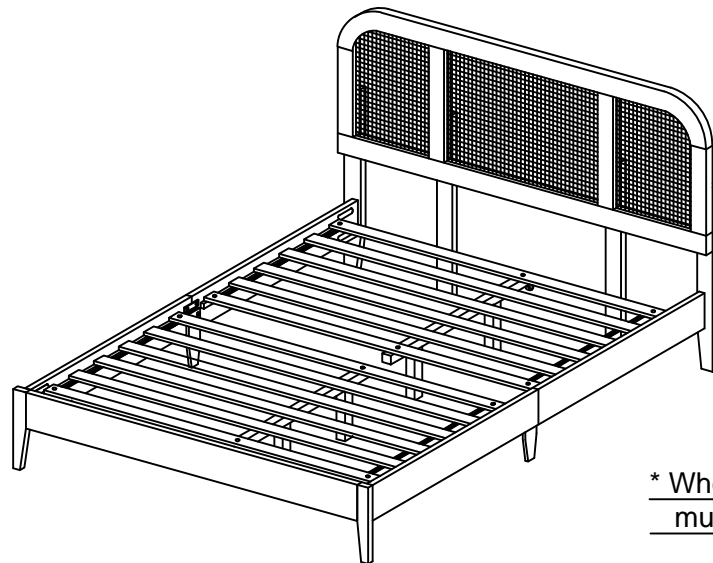
STEP 14



STEP 15



STEP 16



\* When moving the bed position, the center support legs must be adjusted or straightened to avoid any broken problems.