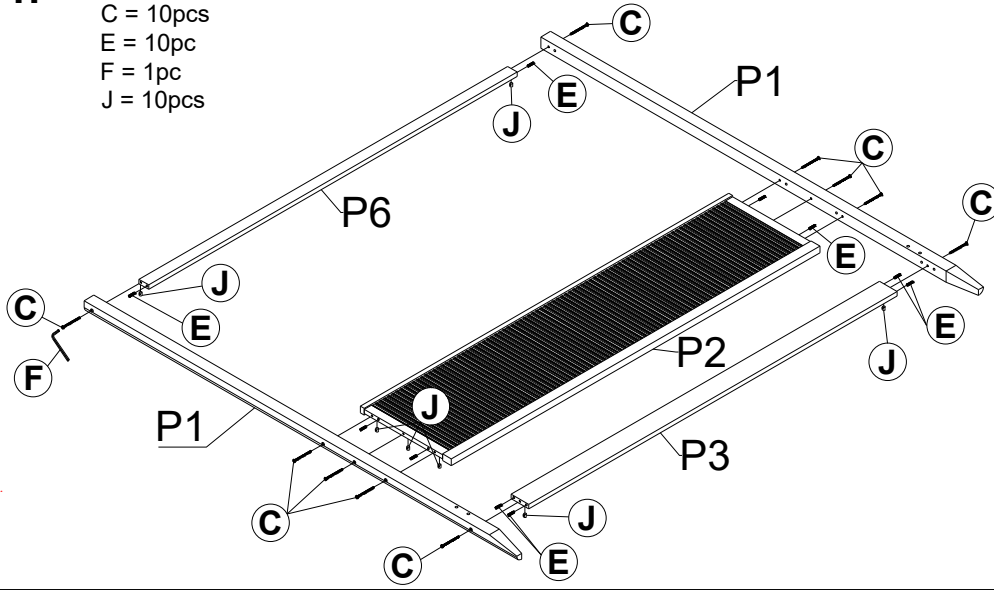


SW 8609-K

1.

Attach the Headboard Panel (P2) Headboard Bottom Rail(P3) and HB&FB Support Rail(P6) to the Headboard post (P1). You will need to

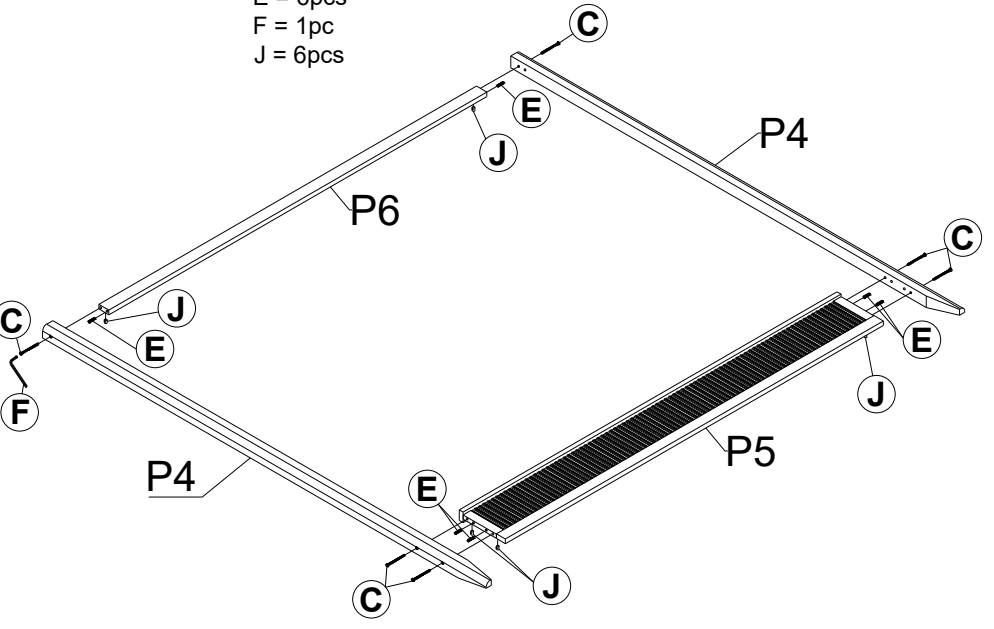
- C = 10pcs
- E = 10pc
- F = 1pc
- J = 10pcs



2.

Attach the Footboard Panel (P5) and HB&FB Support Rail(P6) to the Footboard post (P4). You will need to

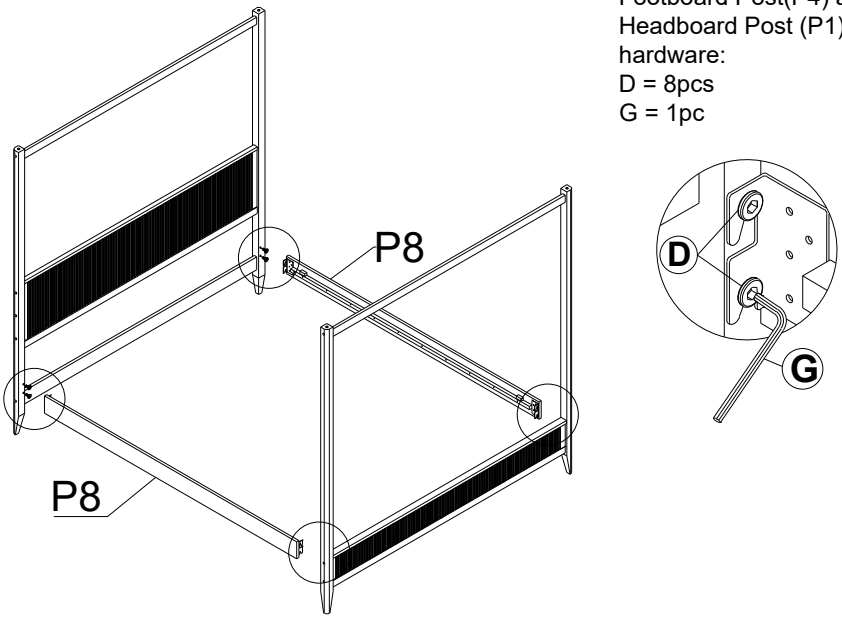
- C = 6pcs
- E = 6pcs
- F = 1pc
- J = 6pcs



3.

Attach the Side Rail (P8) to the Footboard Post(P4) and Headboard Post (P1) using hardware:

- D = 8pcs
- G = 1pc



WARNING!!

- Remove hardware from box and sort by size.
- Please check to see that hardware and parts are present prior start of assembly.
- Please follow attached instruction in the same sequence numbered to ensure fast and easy assembly.
- Do not use this bed if any part is broken, torn or missing.
- The assembly of this product requires two people.
- Do not use any power tools as this may damage the frame and will invalidate any claim.

PART LIST

P1		Headboard Post = L-1pc = R-1pc
P2		Headboard Panel = 1pc
P3		Headboard Bottom Rail = 1pc
P4		Footboard Post = L-1pc = R-1pc
P5		Footboard Panel = 1pc
P6		HB&FB Support Rail = 2pcs
P7		Upper Side Support Rail = 2pcs
P8		Side Rail = 2pcs
P9		Center Rail = 2pcs
P10		Bed Slats = 14pcs
P11		Support Leg = 4pcs

HARDWARE LIST

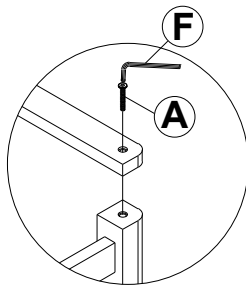
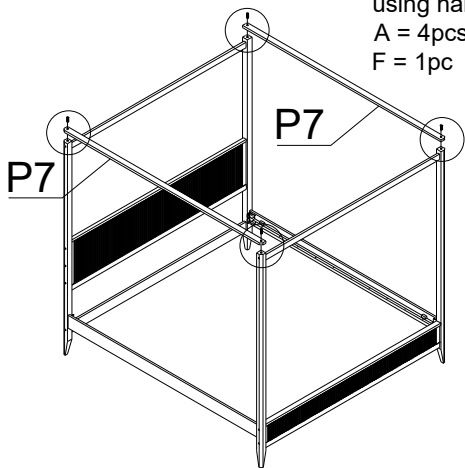
A		M6 X 40MM JCBC = 4pcs
B		M6 X 50MM JCBC = 4pcs
C		M6 X 85MM JCBC = 16pcs
D		M8 X 20MM JCBB = 8pcs
E		WOOD DOWEL M8 X 30MM = 16pcs
F		ALLEN KEY M4 = 1pc
G		ALLEN KEY M5 = 1pc
H		M4 X 25MM SCREW = 8pcs
I		ADJUSTER = 4pcs
J		BARREL NUT = 16pcs



SW 8609-K

Attach the Upper Side Support Rail(P7) to the Footboard Post(P4) and Headboard Post (P1) using hardware:

A = 4pcs
F = 1pc



WARNING!!

- Remove hardware from box and sort by size.
- Please check to see that hardware and parts are present prior start of assembly.
- Please follow attached instruction in the same sequence numbered to ensure fast and easy assembly.
- Do not use this bed if any part is broken, torn or missing.
- The assembly of this product requires two people.
- Do not use any power tools as this may damage the frame and will invalidate any claim.

PART LIST

P1		Headboard Post =	L-1pc R-1pc
P2		Headboard Panel =	1pc
P3		Headboard Bottom Rail =	1pc
P4		Footboard Post =	L-1pc R-1pc
P5		Footboard Panel =	1pc
P6		HB&FB Support Rail =	2pcs
P7		Upper Side Support Rail =	2pcs
P8		Side Rail =	2pcs
P9		Center Rail =	2pcs
P10		Bed Slats =	14pcs
P11		Support Leg =	4pcs

HARDWARE LIST

A		M6 X 40MM JCBC =	4pcs
B		M6 X 50MM JCBC =	4pcs
C		M6 X 85MM JCBC =	16pcs
D		M8 X 20MM JCBB =	8pcs
E		WOOD DOWEL M8 X 30MM =	16pcs
F		ALLEN KEY M4 =	1pc
G		ALLEN KEY M5 =	1pc
H		M4 X 25MM SCREW =	8pcs
I		ADJUSTER =	4pcs
J		BARREL NUT =	16pcs



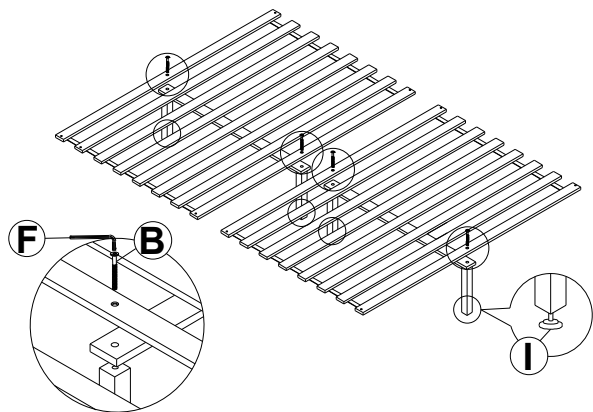
5.

Fix the adjuster (I) to the support leg (P11) using hardware:

I = 4pcs

Attach the support leg (P11) to the center rail (P9) and bed slats (P10) using hardware:

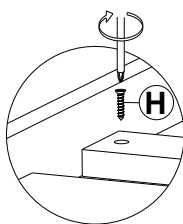
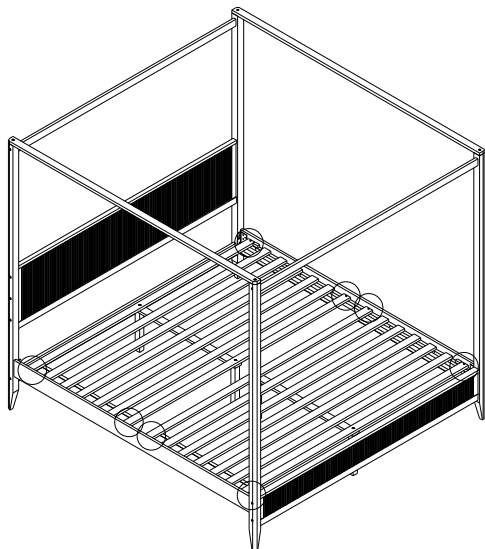
B = 4pcs
F = 1pc



6.

Lay the bed slats (P10) between the side rail (P8) using hardware:

H = 8pcs



****Apply pressure with your knee to the side rail whilst attaching the slats to ensure that the slats are flush against the inside of side rail****

ASSEMBLY COMPLETE

