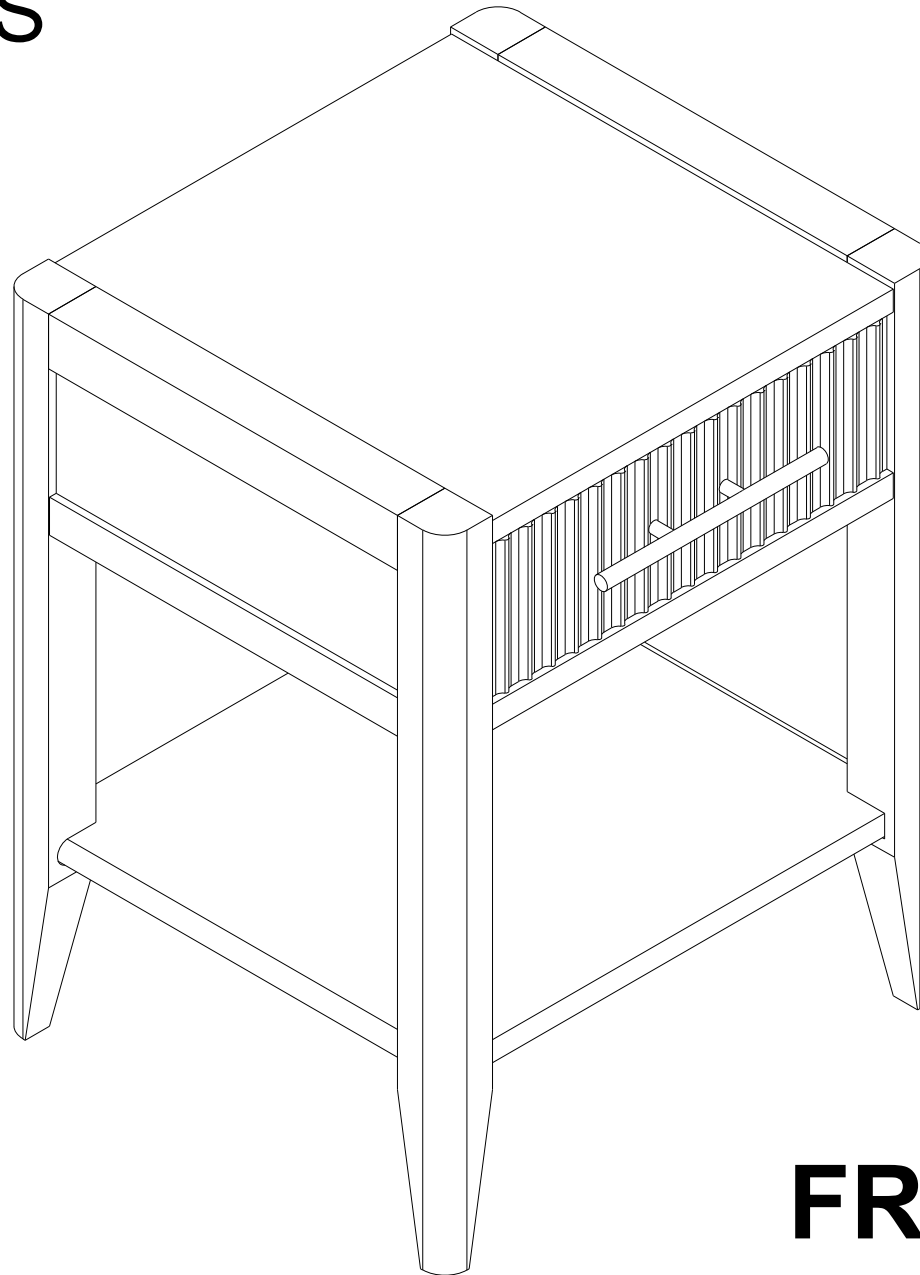


ASSEMBLY INSTRUCTION

SW 8000-66NS

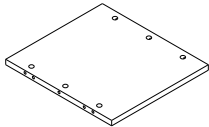
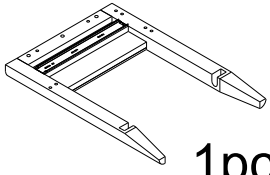
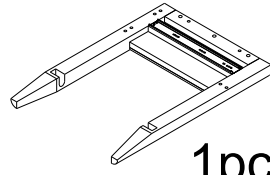
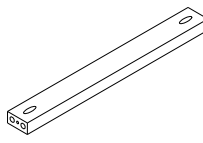
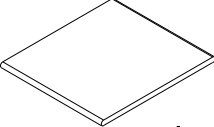
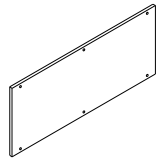
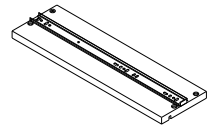
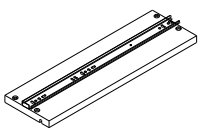
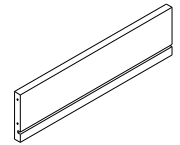
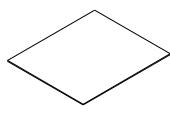
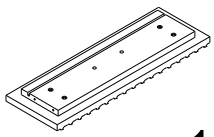
REAR



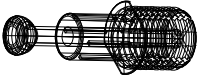


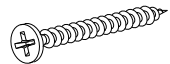
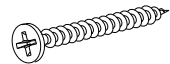
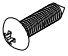
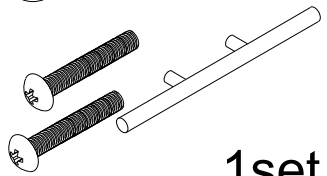
FRONT



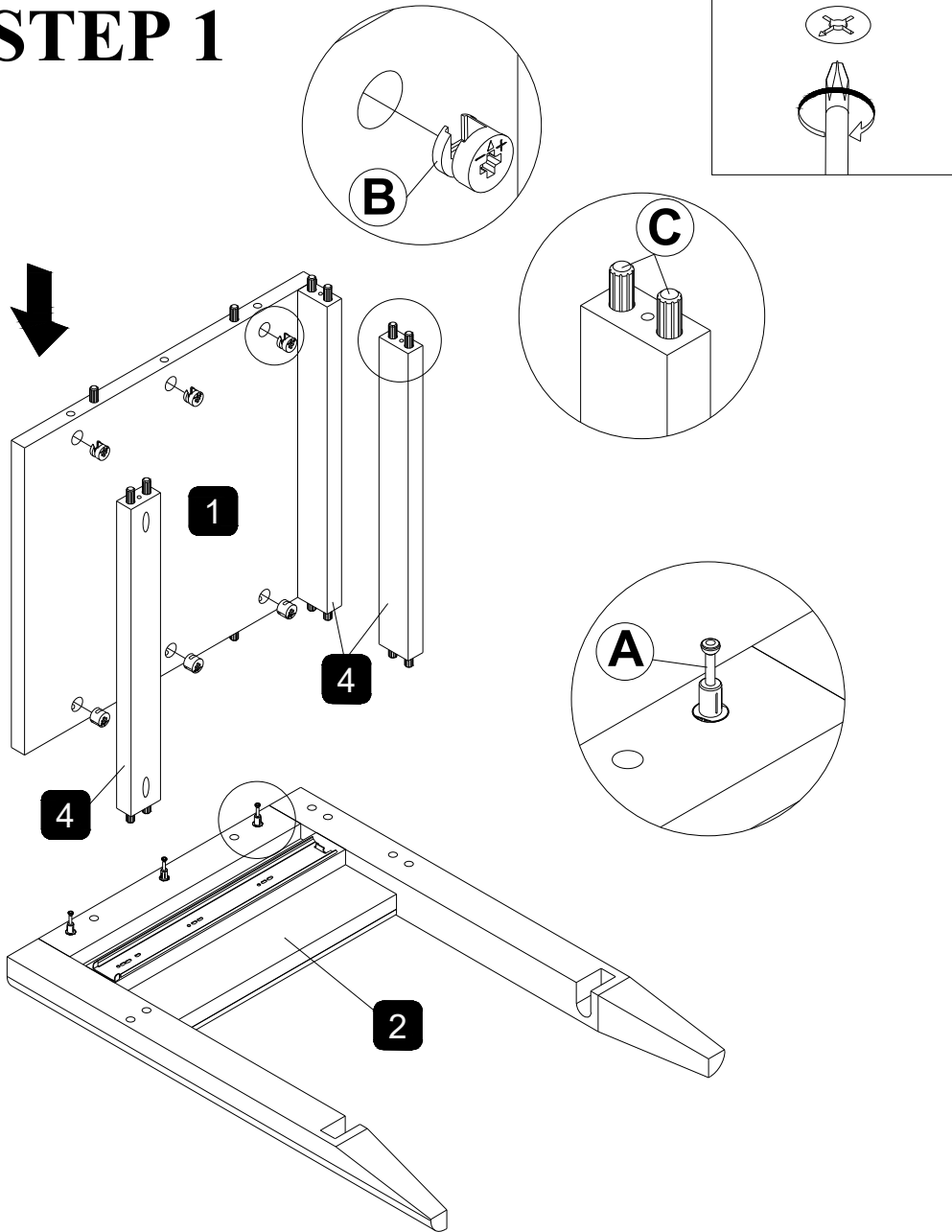
PART LIST

<p>1 Top Panel</p>  <p>1pc</p>	<p>2 Handle(left)</p>  <p>1pc</p>	<p>3 Handle(right)</p>  <p>1pc</p>	<p>4 Support Rail</p>  <p>3pcs</p>	<p>5 Bottom Panel</p>  <p>1pc</p>	<p>6 Back Panel</p>  <p>1pc</p>
<p>7 Drawer Side Panel(left)</p>  <p>1pc</p>	<p>8 Drawer Side Panel(right)</p>  <p>1pc</p>	<p>9 Drawer Rear Panel</p>  <p>1pc</p>	<p>10 Drawer Base Panel</p>  <p>1pc</p>	<p>11 Drawer Front Panel</p>  <p>1pc</p>	

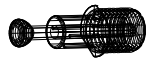
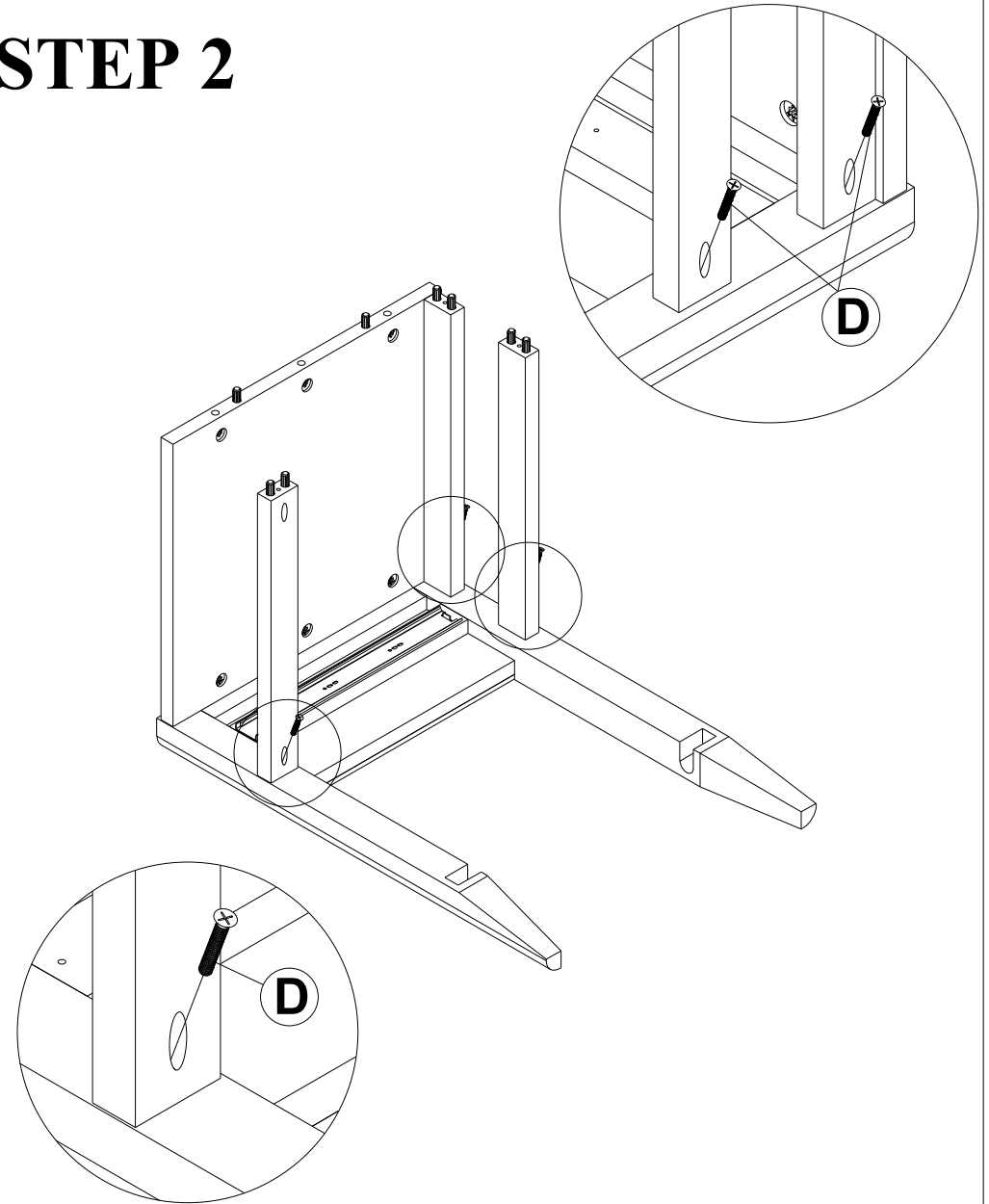
HARDWARE LIST

<p>A MINI FIX SPREADING BOLT 24MM</p>  <p>6pcs</p>	<p>B MINIFIX HOUSING Ø15*12MM</p>  <p>6pcs</p>	<p>C WOOD DOWEL M8*30MM</p>  <p>16pcs</p>	<p>D CSK SCREW M4*30MM</p>  <p>6pcs</p>	<p>E CSK SCREW M4*25MM</p>  <p>8pcs</p>	<p>F PAN HEAD M3.5*16MM</p>  <p>6pcs</p>
<p>G HANDLE</p>  <p>1set</p>					

STEP 1



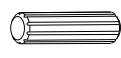
STEP 2



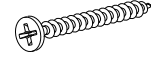
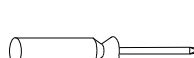
A X 3pcs



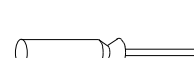
B X 6pcs



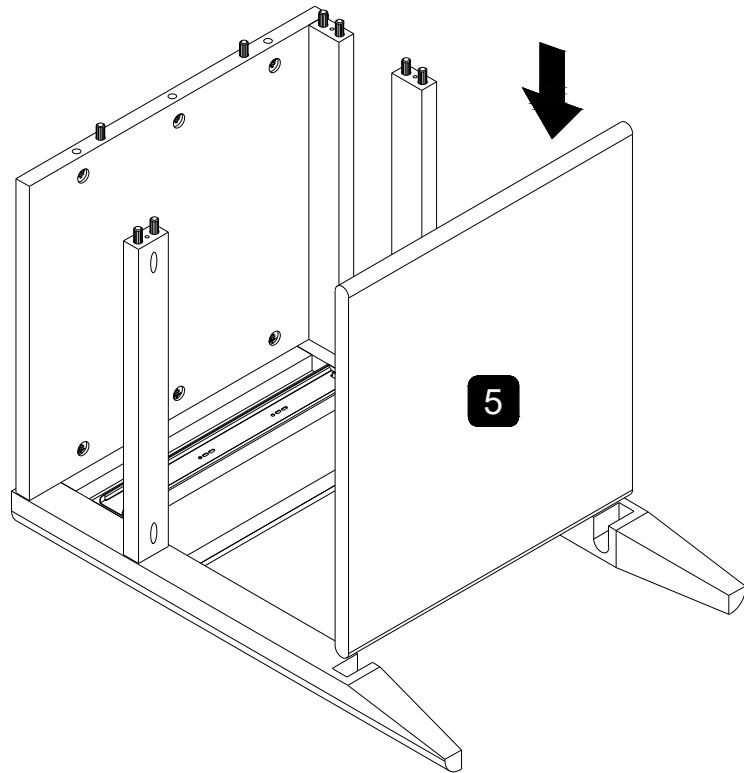
C X 16pcs



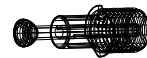
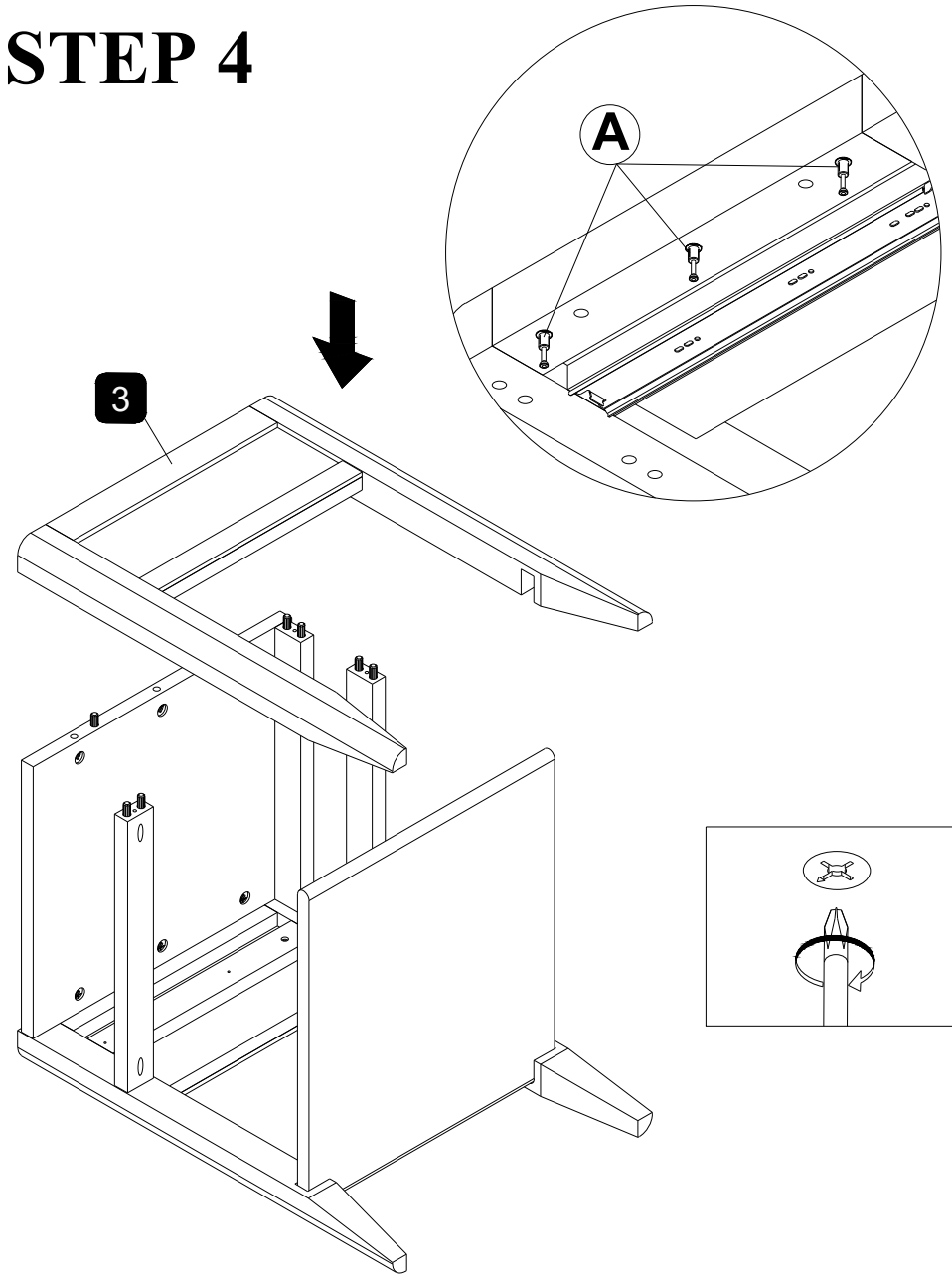
D X 3pcs



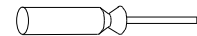
STEP 3



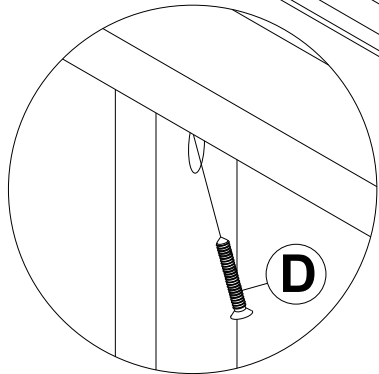
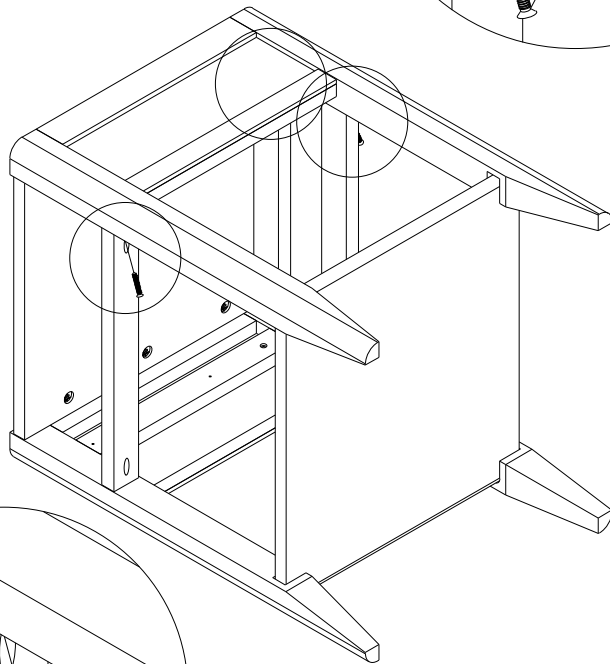
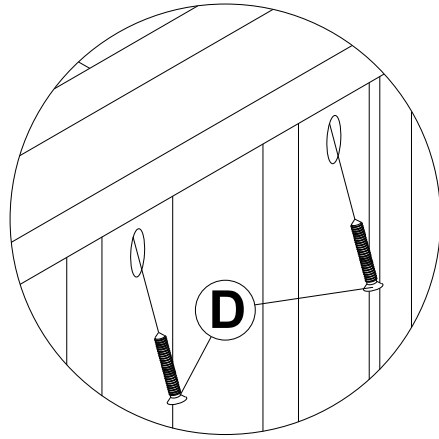
STEP 4



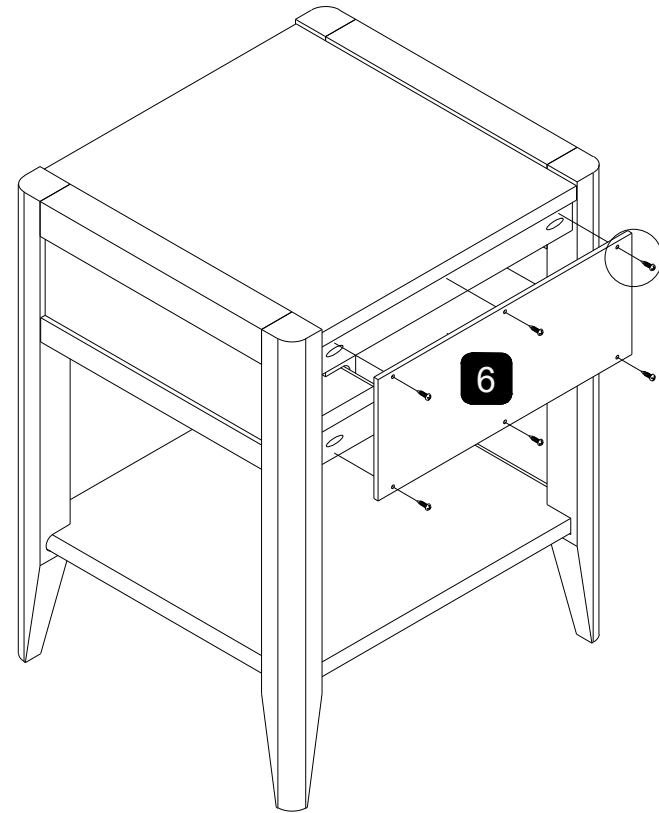
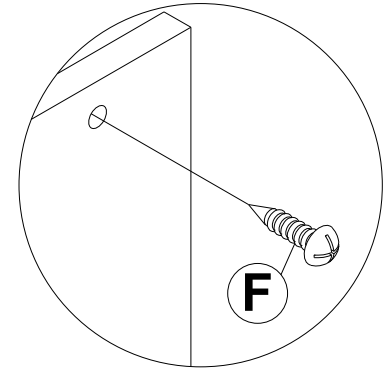
A X 3pcs



STEP 5



STEP 6

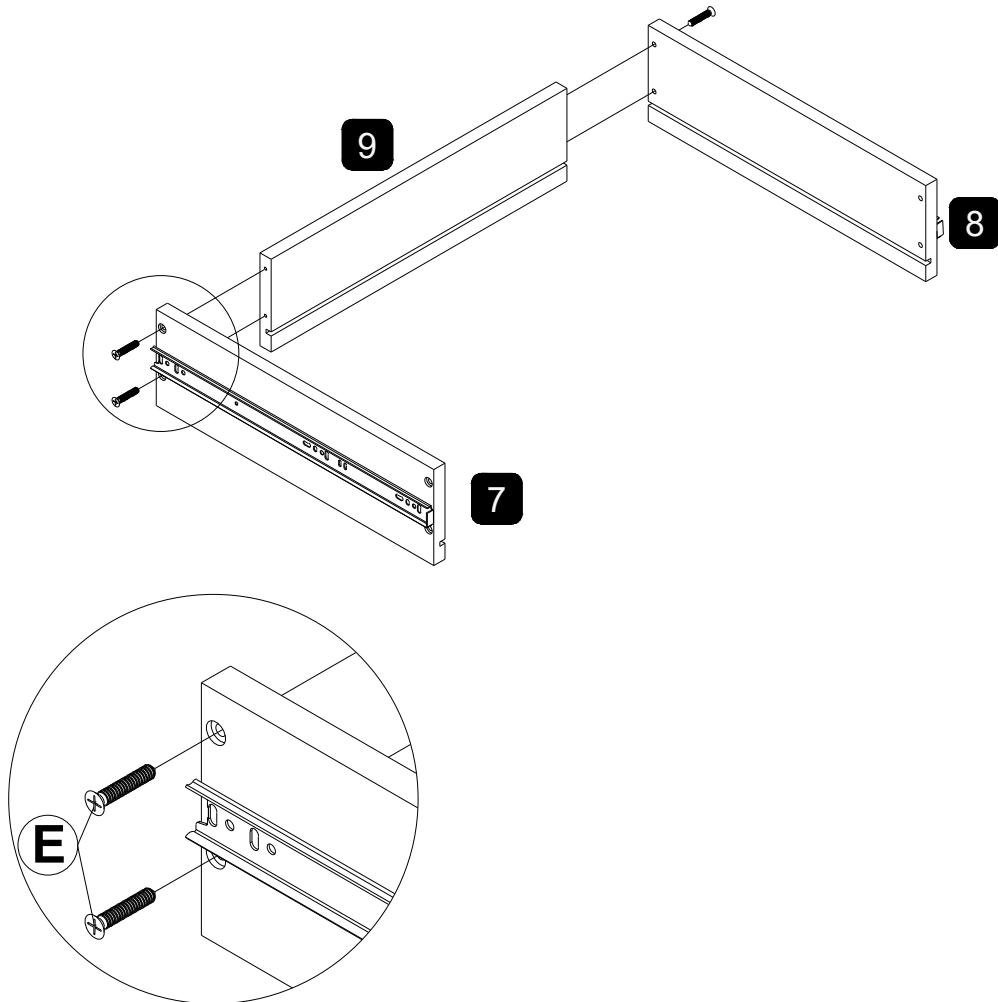


D X 3pcs

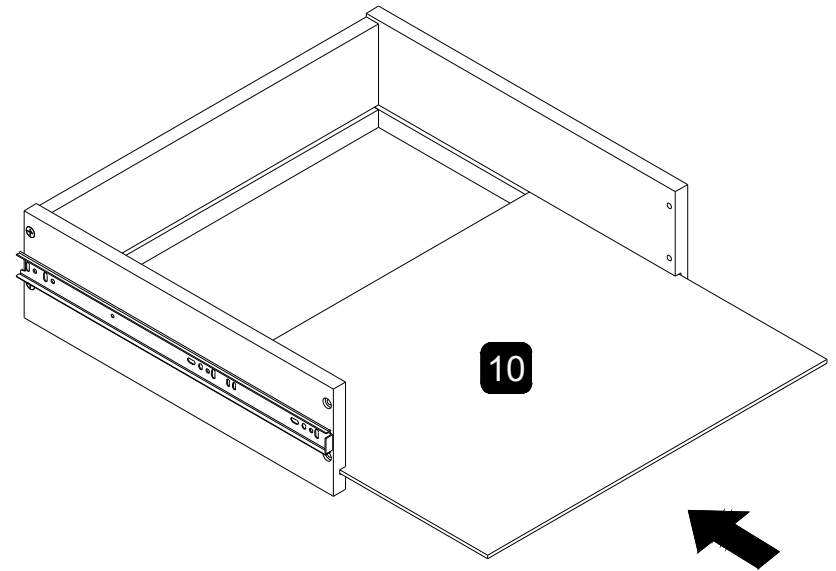


F X 6pcs

STEP 7

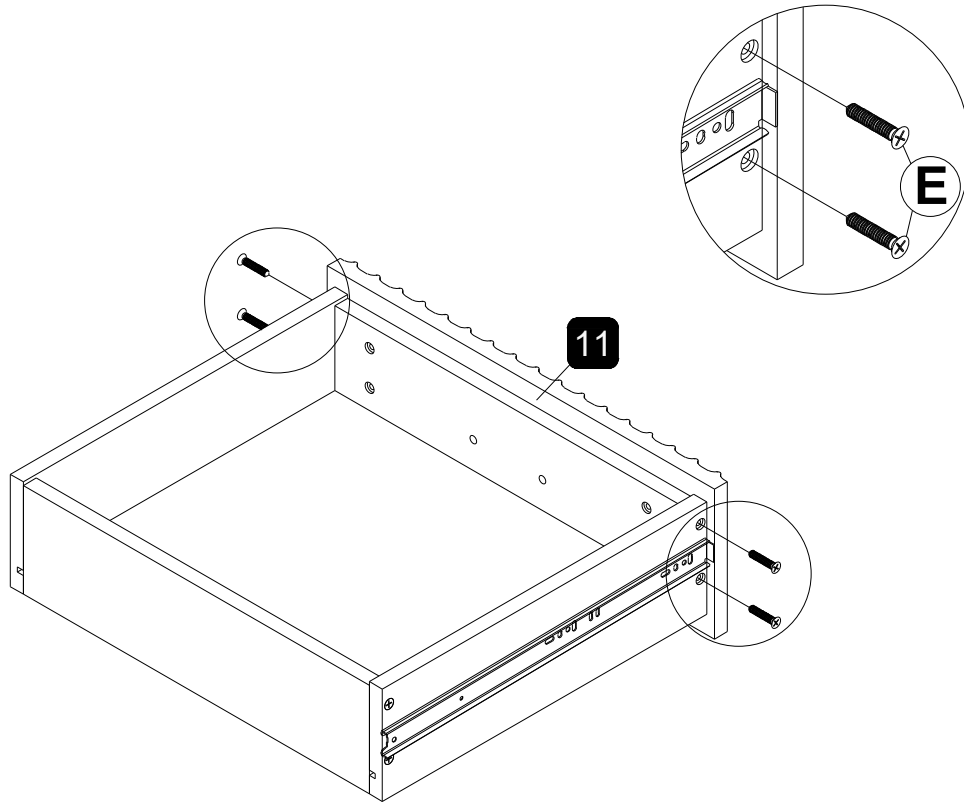


STEP 8

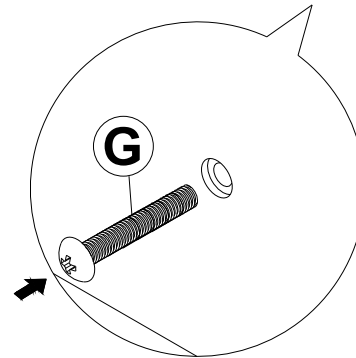
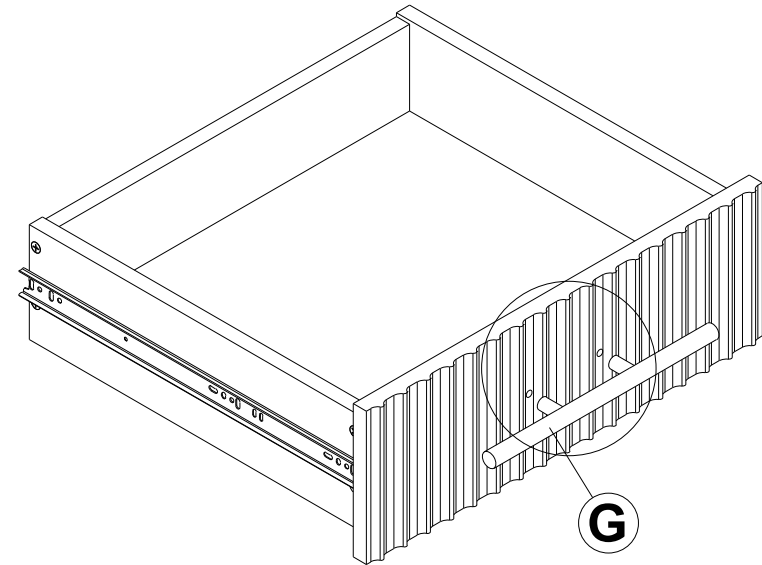


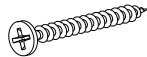
E X 4pcs


STEP 9



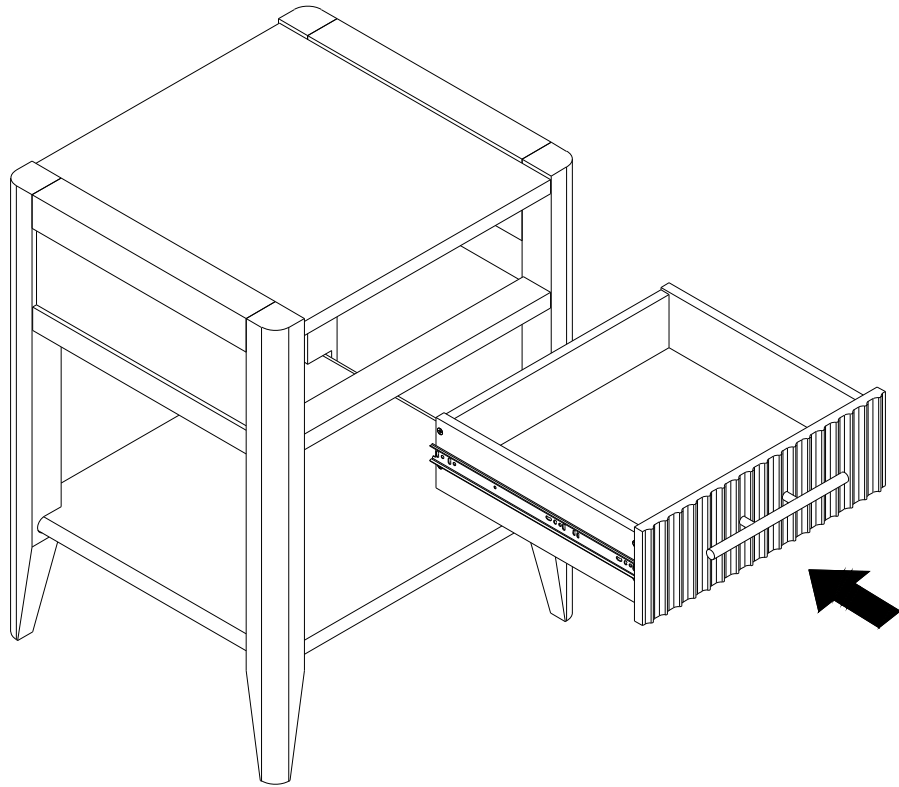
STEP 10




E X 4pcs


G X 1set

STEP 11



ASSEMBLY COMPLETE

