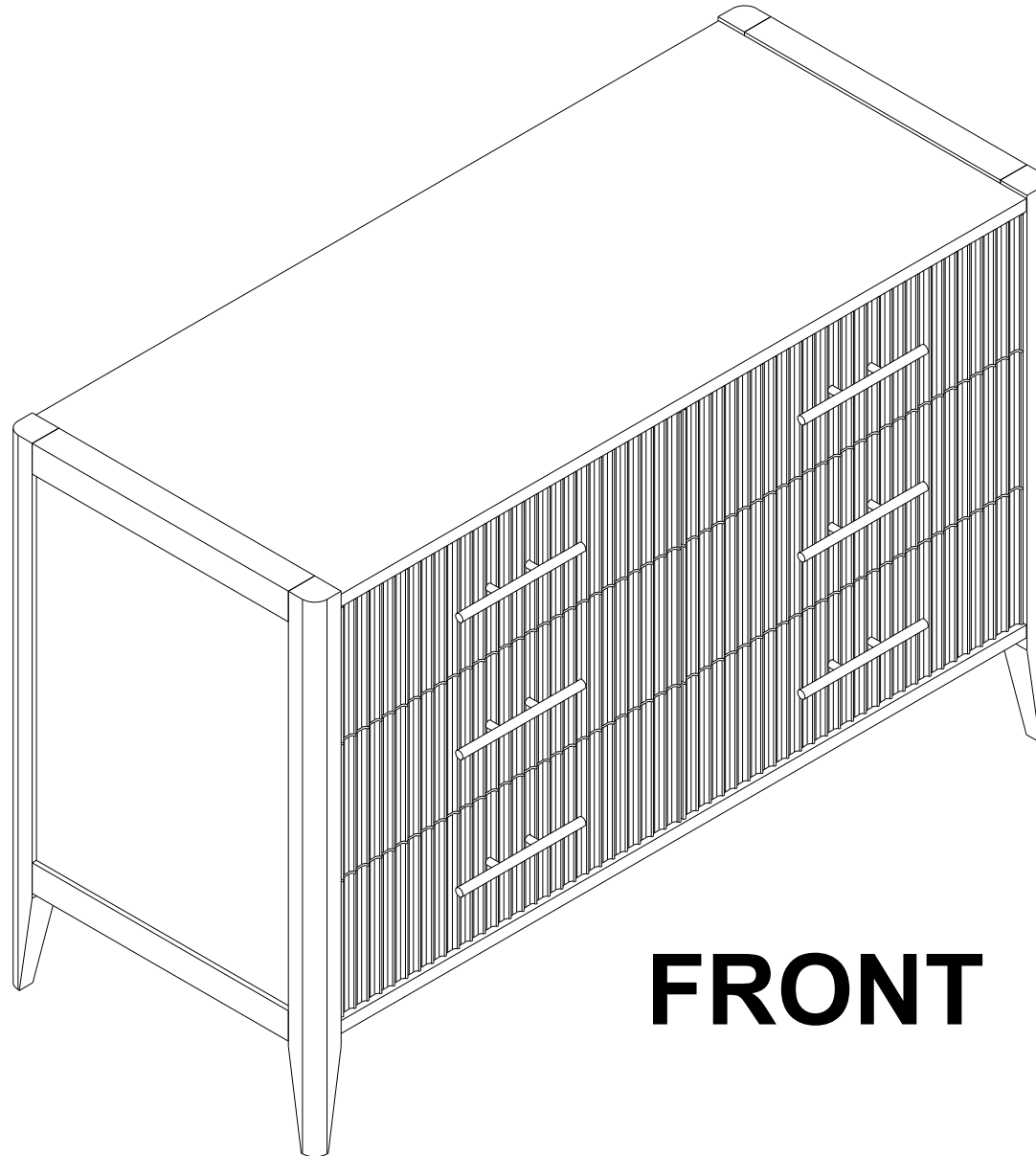


ASSEMBLY INSTRUCTION

SW 8000-66D6D

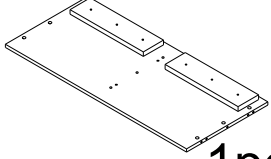
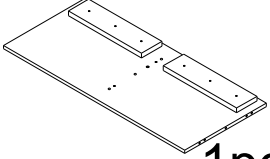
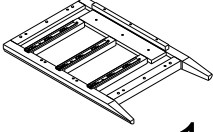
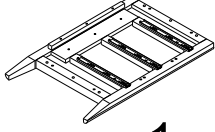
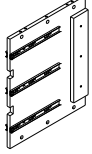
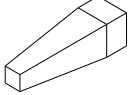
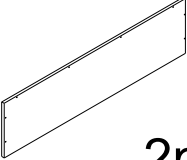
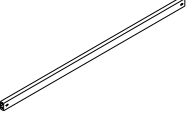
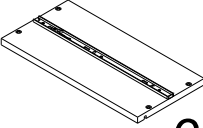
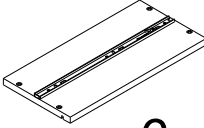
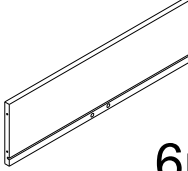
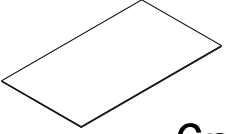
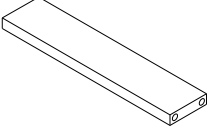
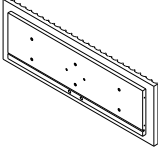
REAR



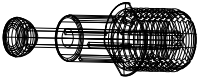

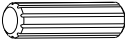
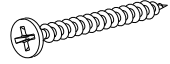
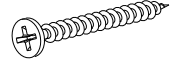
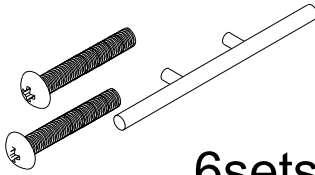
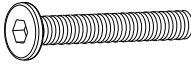
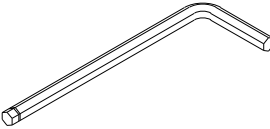
FRONT



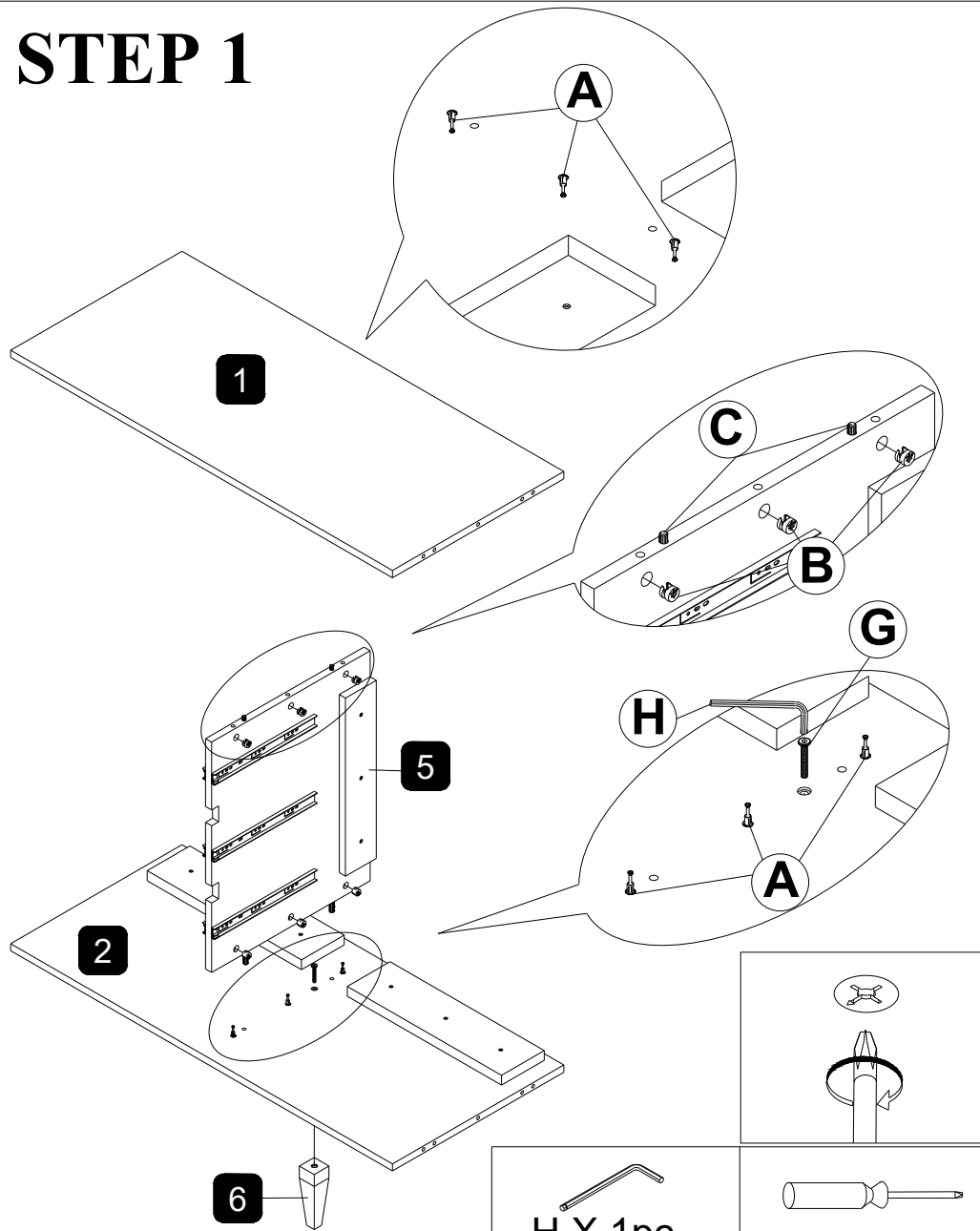
PART LIST

1 Top Panel  1pc	2 Bottom Panel  1pc	3 Side Panel(left)  1pc	4 Side Panel(right)  1pc	5 Division  1pc	6 Support Leg  1pc
7 Back Panel  2pcs	8 Support Rail  2pcs	9 Drawer Side Panel(left)  6pcs	10 Drawer Side Panel(right)  6pcs	11 Drawer Rear Panel  6pcs	12 Drawer Base Panel  6pcs
13 Drawer Support Rail  6pcs	14 Drawer Front Panel  6pcs				

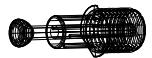
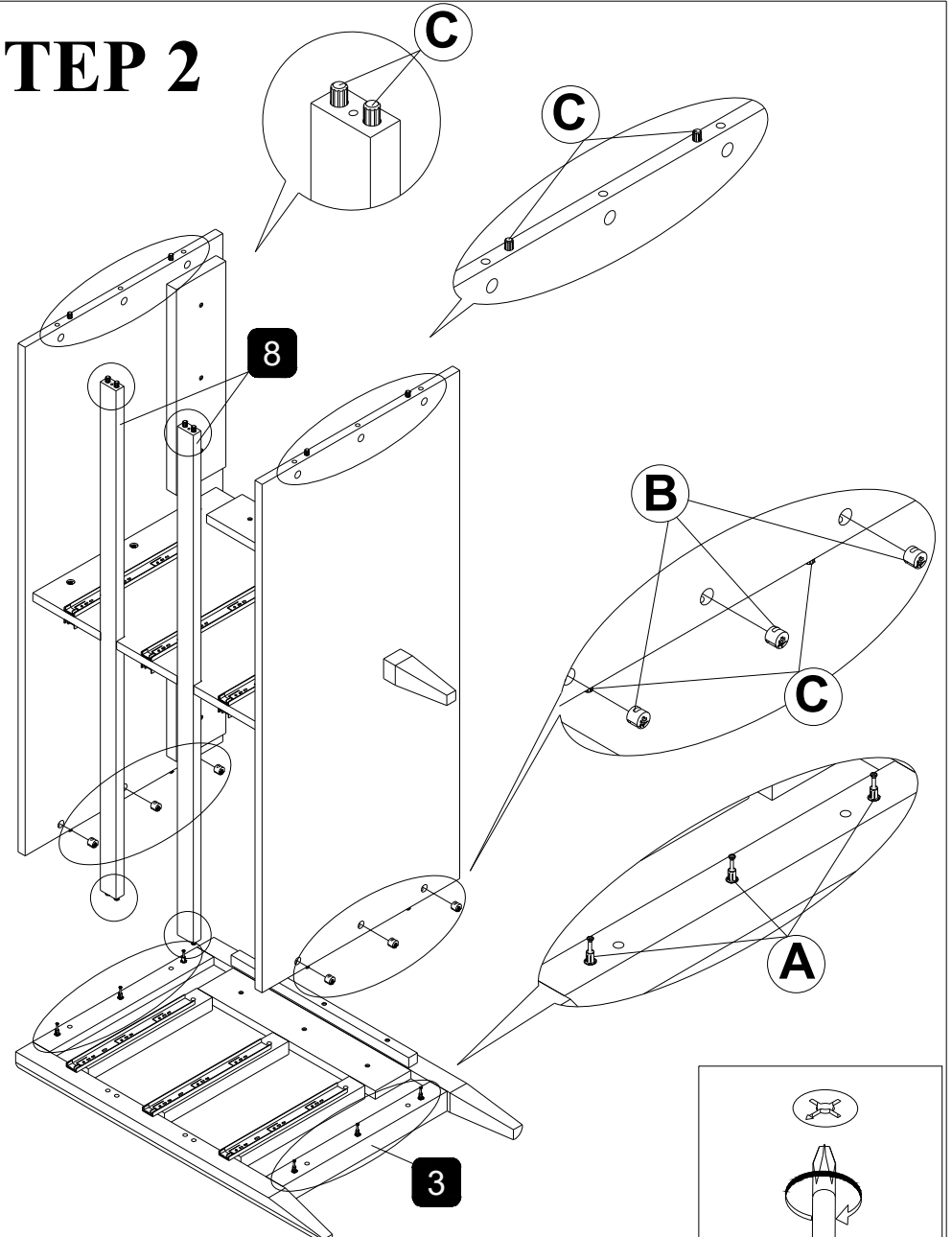
HARDWARE LIST

<p>A MINI FIX SPREADING BOLT 24MM</p>  <p>18pcs</p>	<p>B MINIFIX HOUSING Ø15*12MM</p>  <p>18pcs</p>	<p>C WOOD DOWEL M8*30MM</p>  <p>44pcs</p>	<p>D CSK SCREW M4*30MM</p>  <p>20pcs</p>	<p>E CSK SCREW M4*25MM</p>  <p>48pcs</p>	<p>F HANDLE</p>  <p>6sets</p>
<p>G JCBC M6 X 40MM</p>  <p>1pc</p>	<p>H M4 ALLEN KEY</p>  <p>1pc</p>				

STEP 1



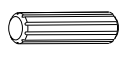
STEP 2



A X 6pcs



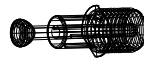
B X 6pcs



C X 4pcs



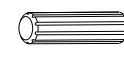
G X 1pc



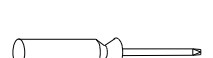
A X 6pcs



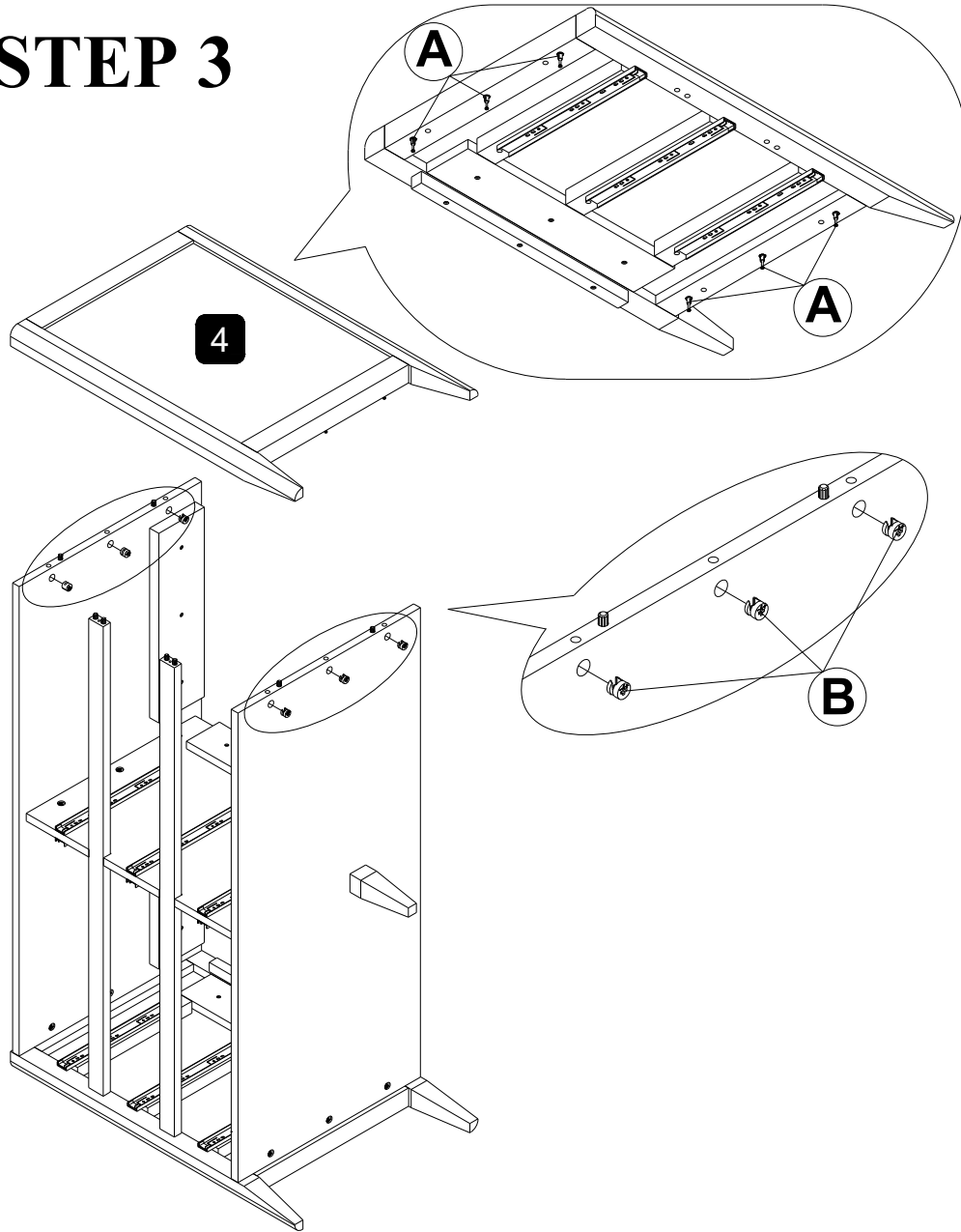
B X 6pcs



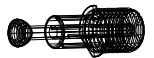
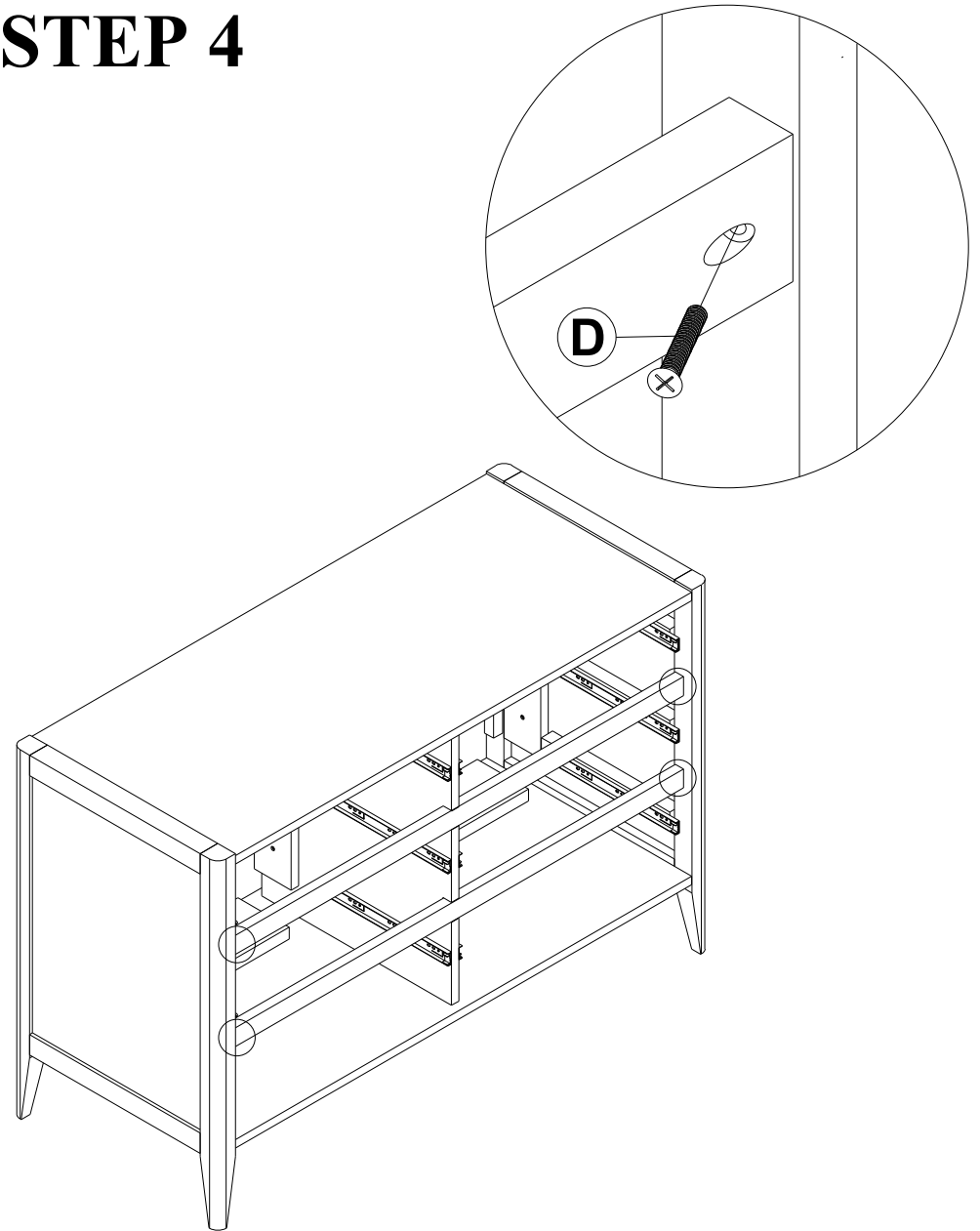
C X 16pcs



STEP 3



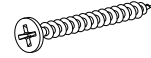
STEP 4



A X 6pcs

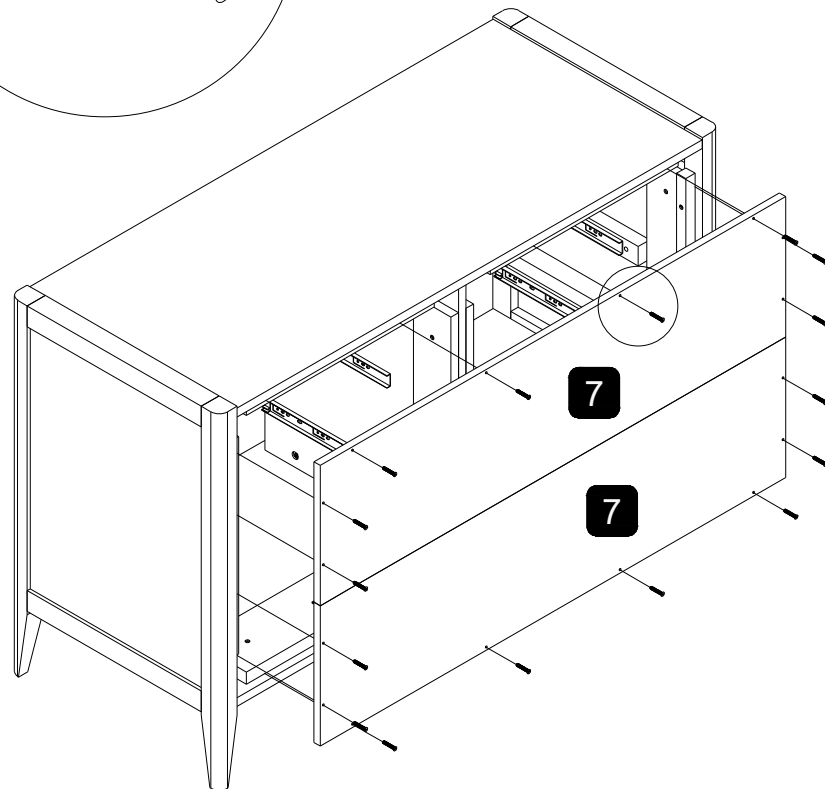
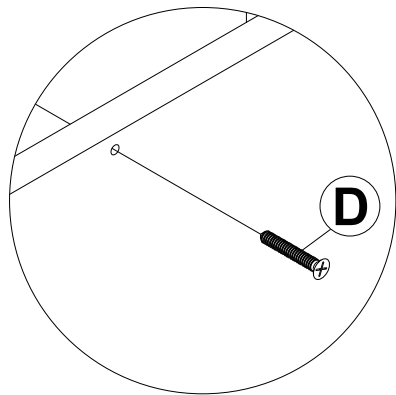


B X 6pcs

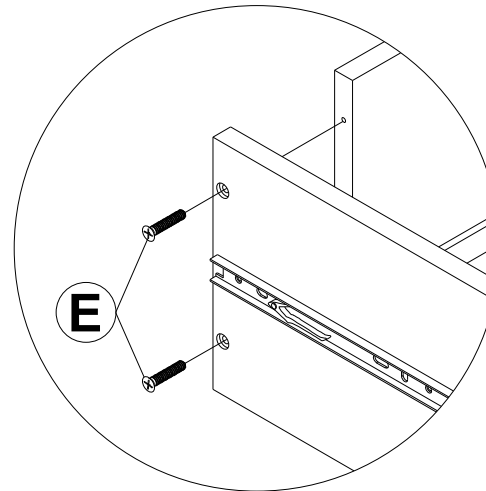


D X 4pcs

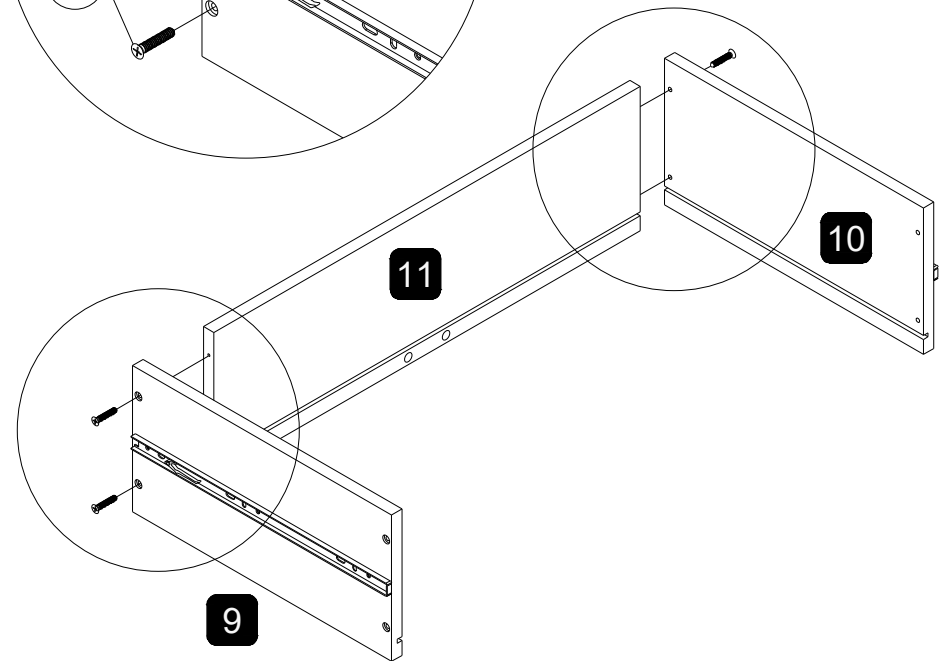
STEP 5



STEP 6



X 6



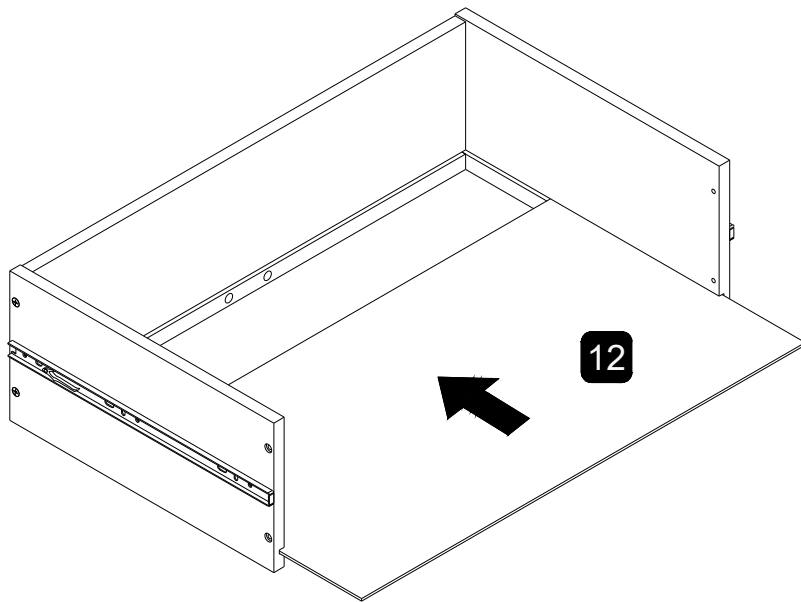
D X 16pcs



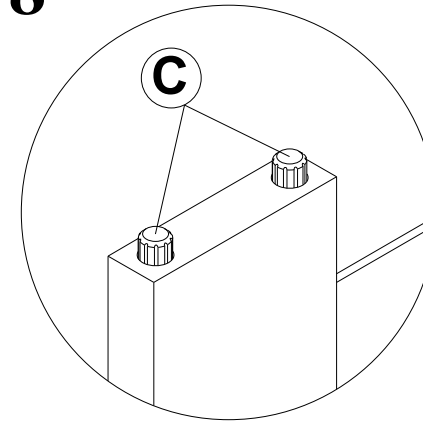
E X 24pcs

STEP 7

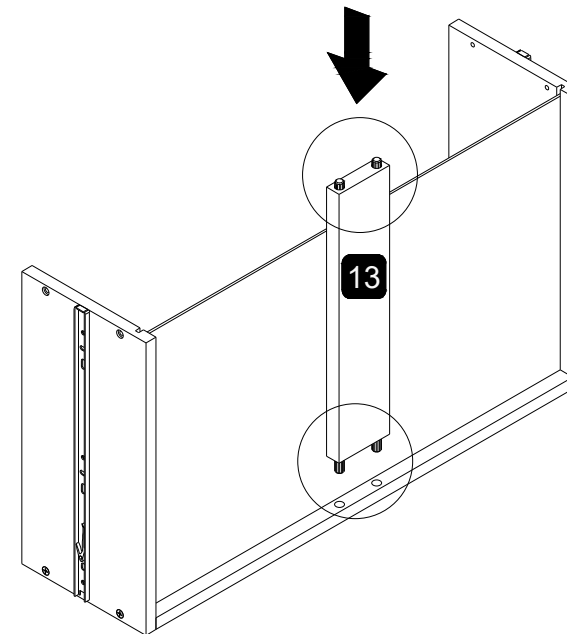
X 6



STEP 8

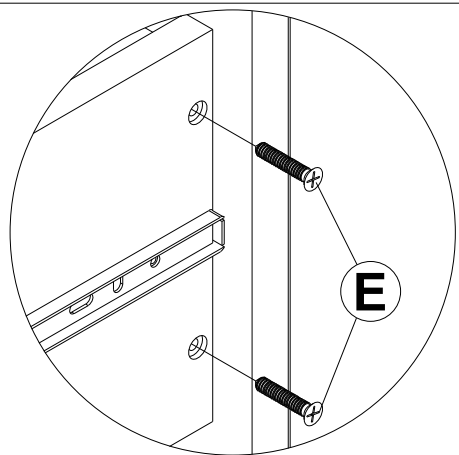


X 6

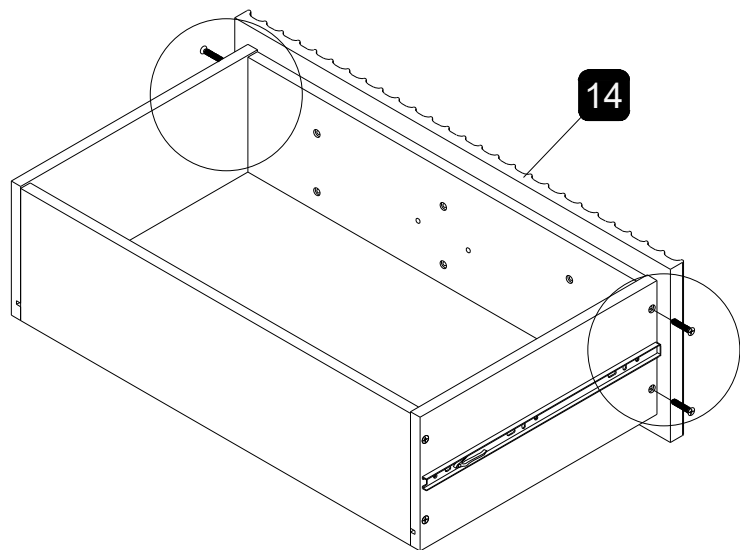


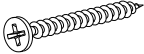
C X 24pcs

STEP 9



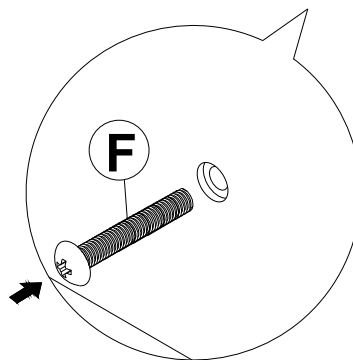
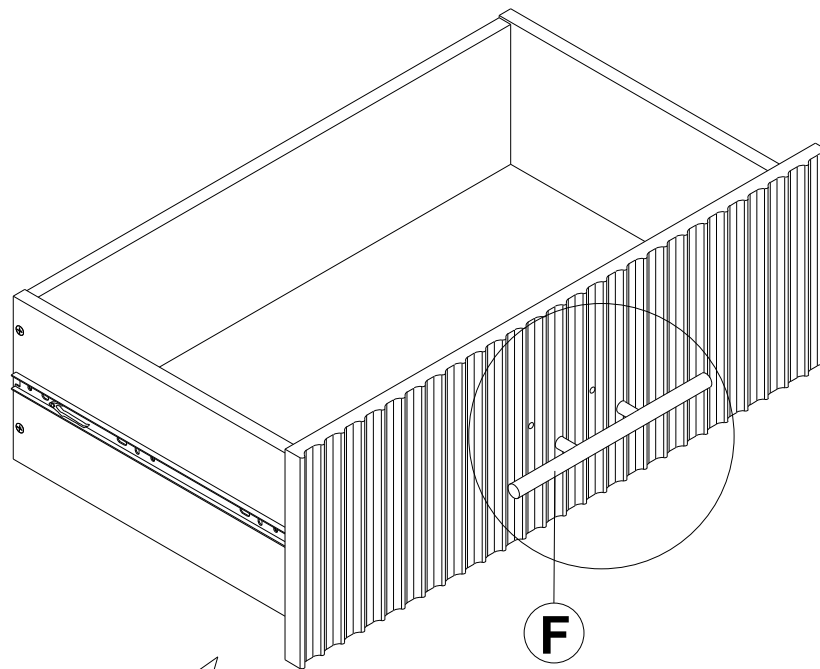
X 6




E X 24pcs

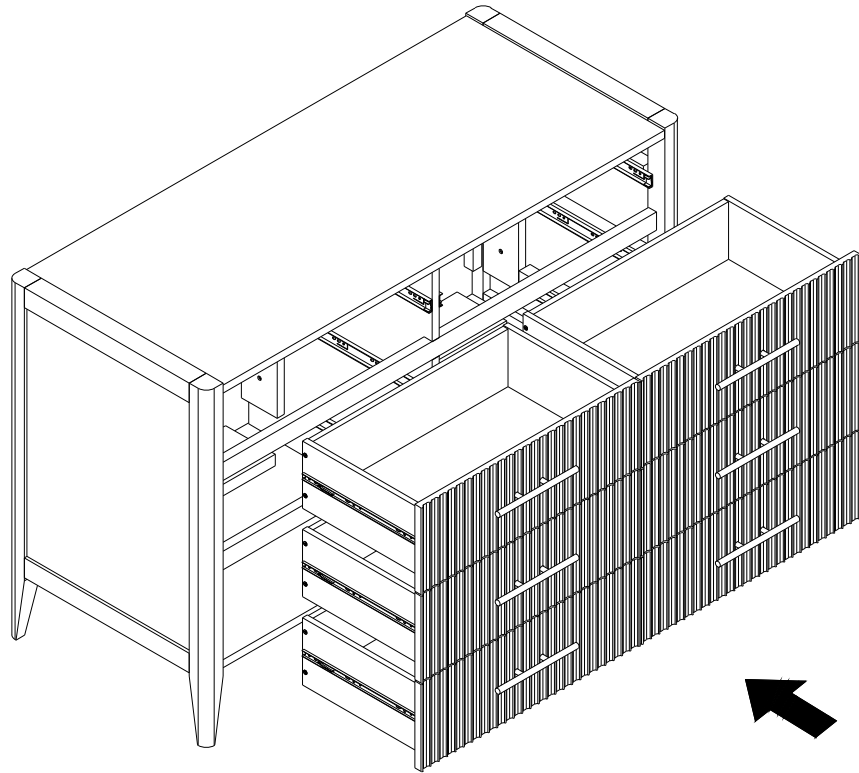
STEP 10

X 6




F X 6sets

STEP 11



ASSEMBLY COMPLETE

CONTINUE TO ASSEMBLY
ANTI TIPPING KITS

