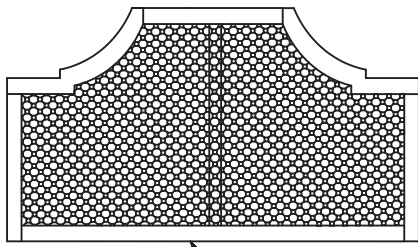


# 9774 Full / Queen Headboard

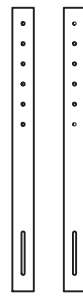
Assembly Instructions

WI-0622

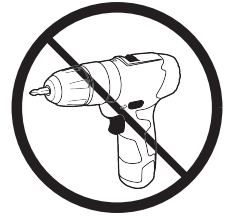
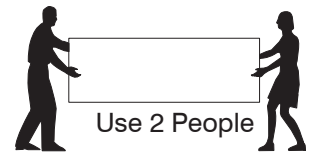
## 1 Parts List



**A** Headboard Panel x 1



**B**  
Support Bars  
x 2



## 2 Hardware List



**1** M6 x 35mm JCB  
x 10



**2** Spring Washer  
x 10



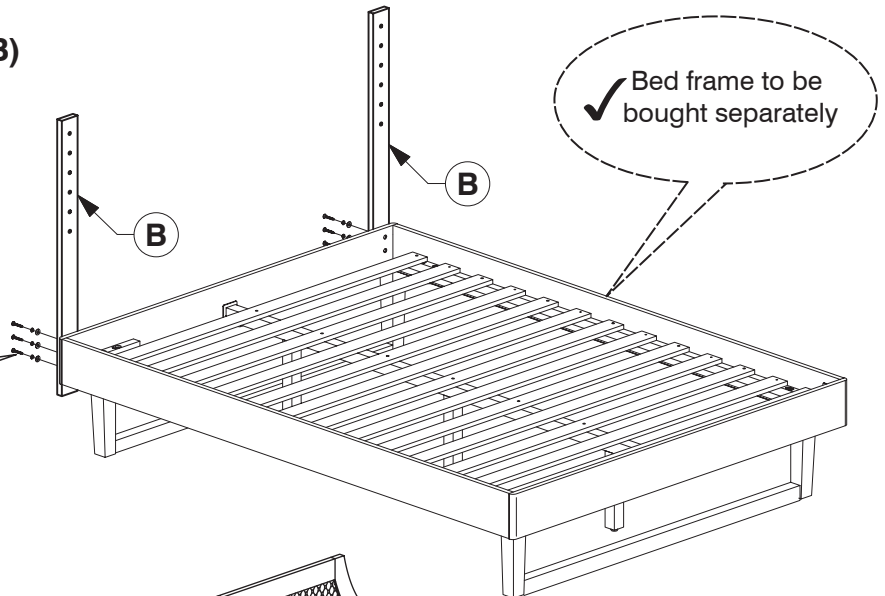
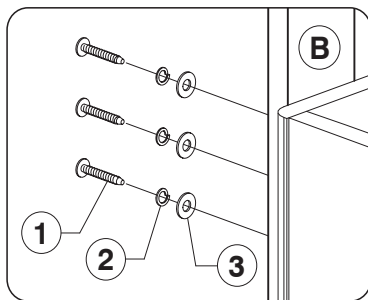
**3** Flat Washer  
x 10



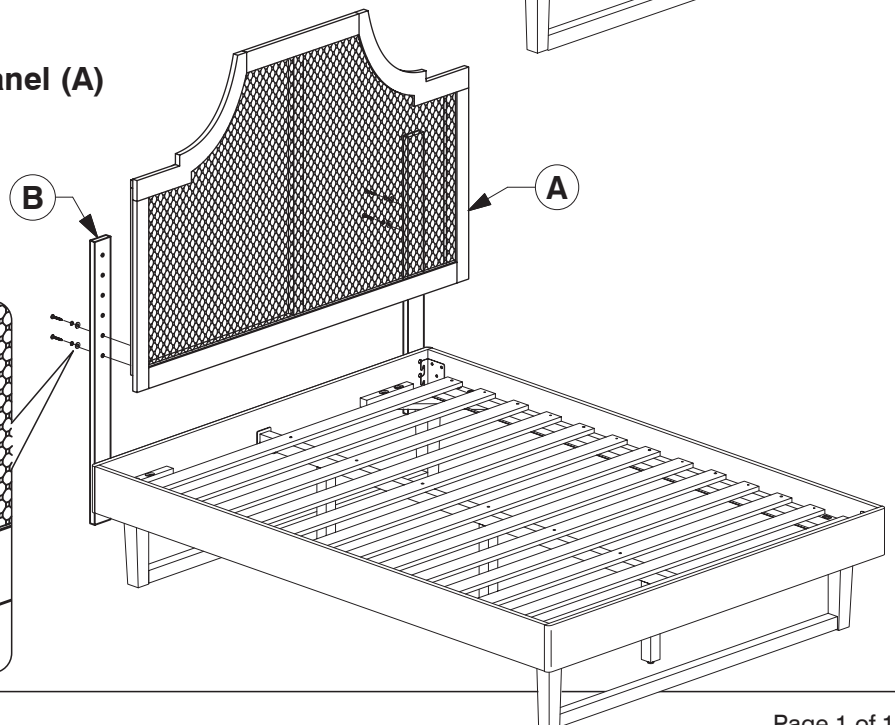
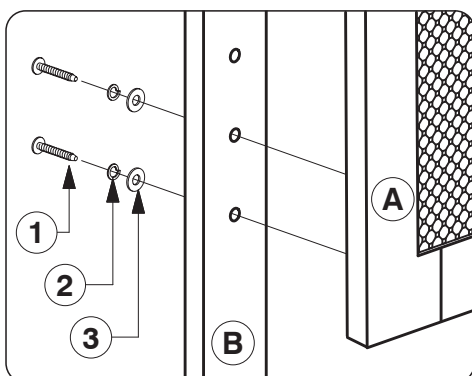
**4** Allen Key  
x 1

Note: Do not assemble using power tools. This can cause the bolts to be overtightened

## 3 Assemble the Support Bars (B) to the Headboard Panel (A)



## 4 Assemble the Headboard Panel (A) to the Support Bars (B)

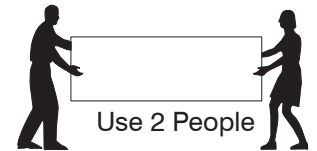
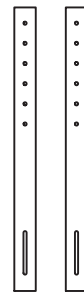
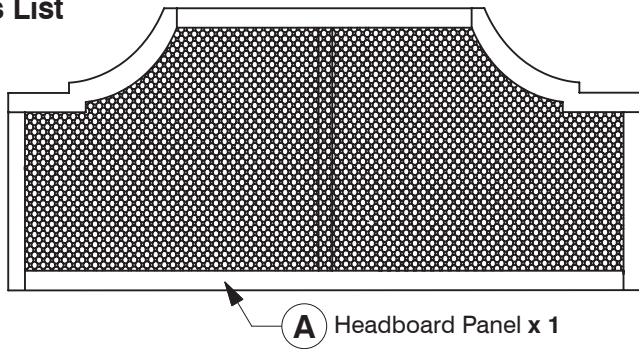


# 9774 King Headboard

Assembly Instructions

WI-0622

## 1 Parts List



Note: Do not assemble using power tools. This can cause the bolts to be overtightened

## 2 Hardware List



1 M6 X 35mm JCB x 10



2 Spring Washer x 10

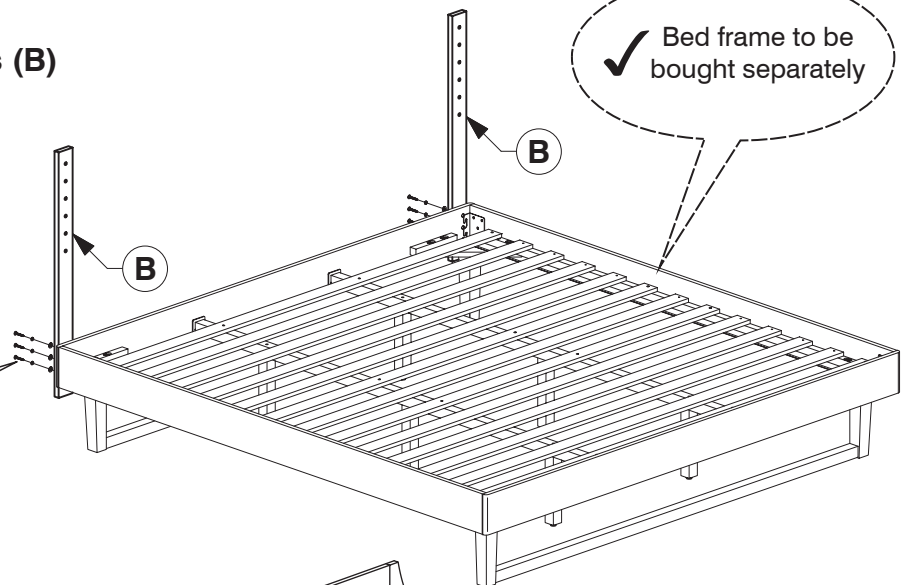
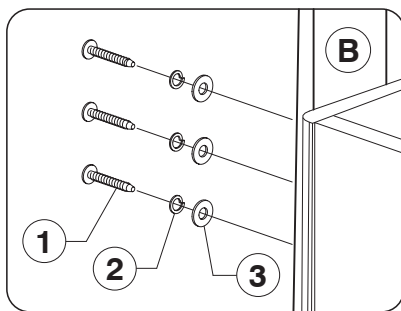


3 Flat Washer x 10

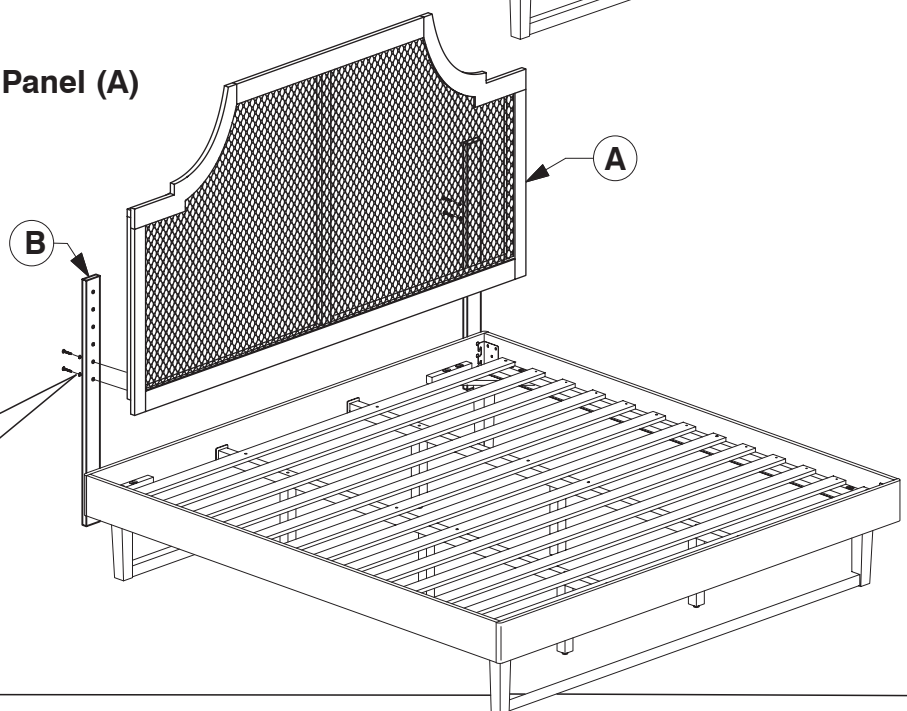
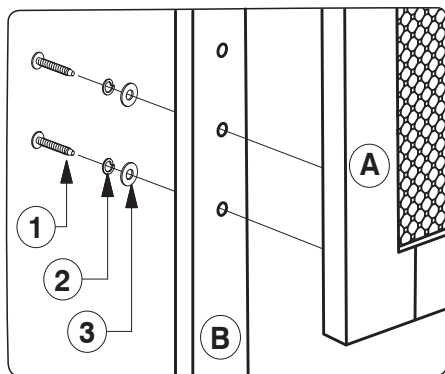


4 Allen Key x 1

## 3 Assemble the Support Bars (B) to the Headboard Panel.



## 4 Assemble the Headboard Panel (A) to the Support Bars (B).

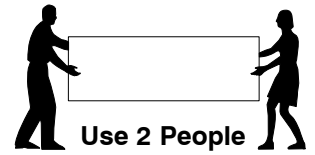
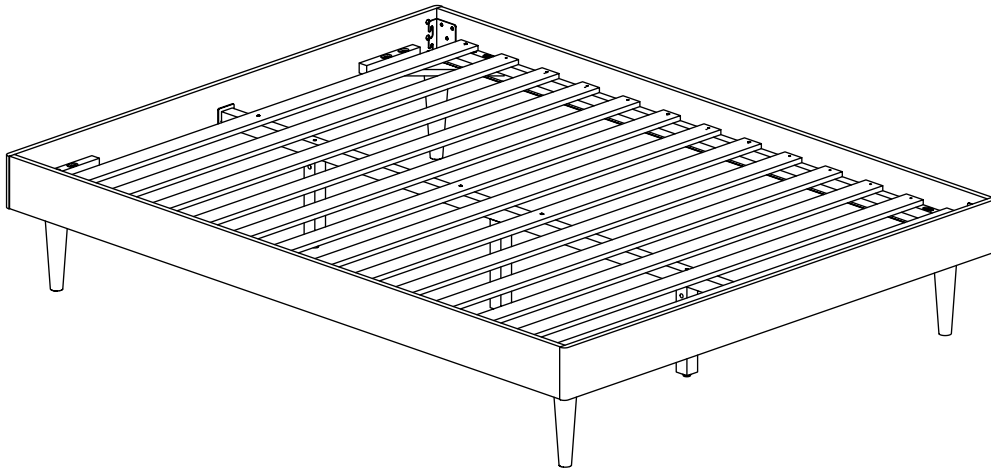


# Queen Bed

## Assembly Instructions

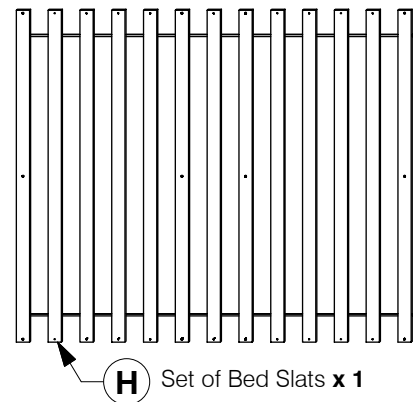
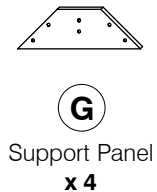
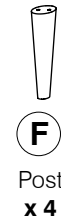
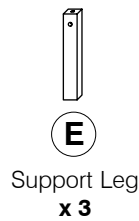
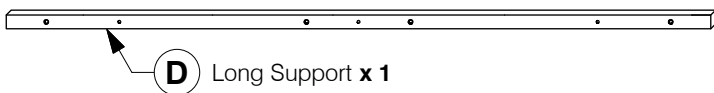
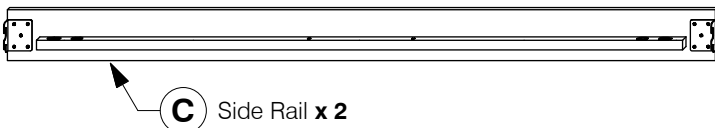
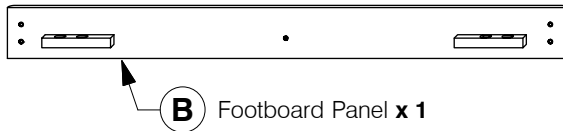
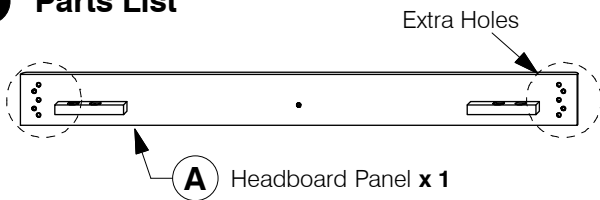
W11-0419

### 1 Assembled View

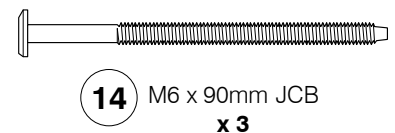
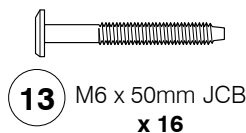
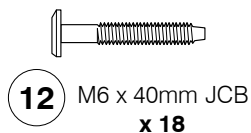
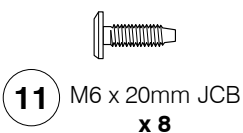
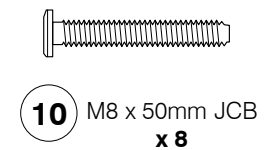
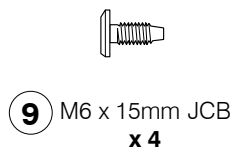
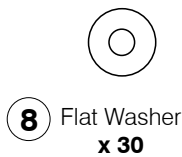
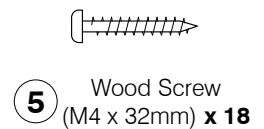
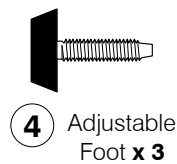
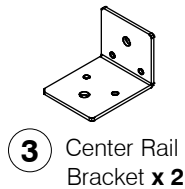
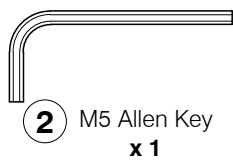
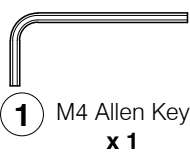


**Note:** Do not assemble using power tools. This can cause the bolts to be overtightened

### 2 Parts List



### 3 Hardware List

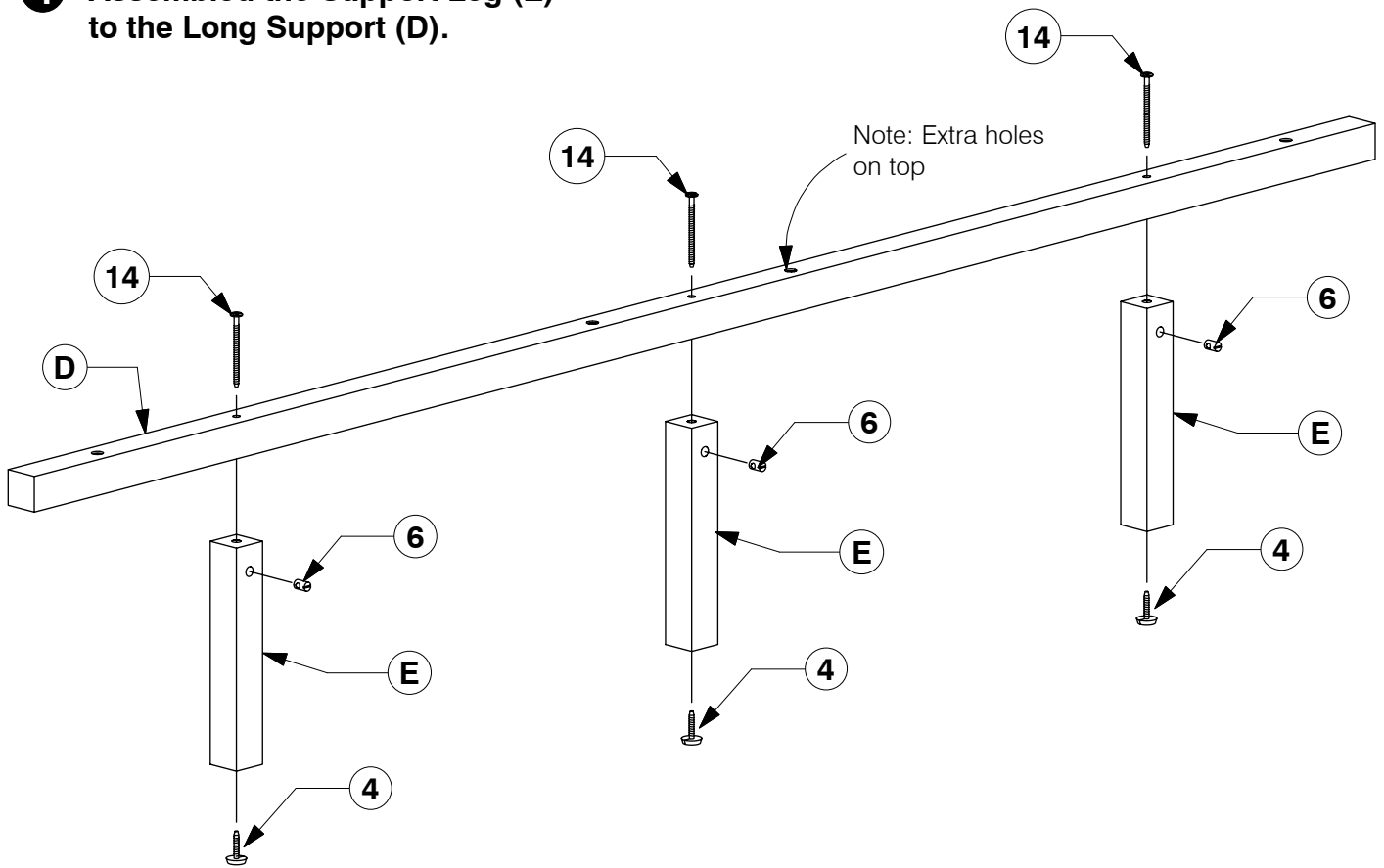


# 97151 Queen Bed

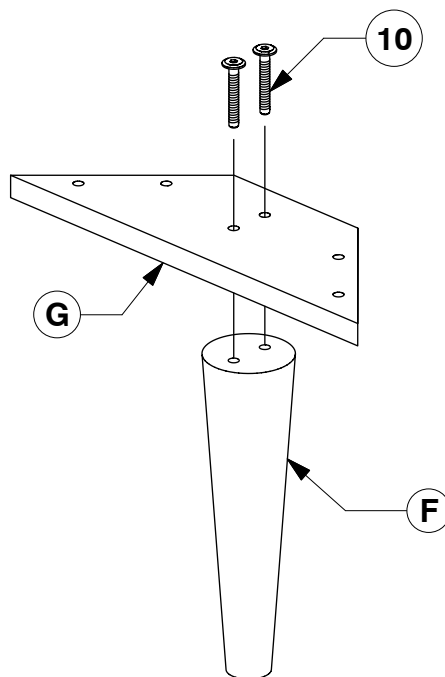
## Assembly Instructions

WII-0419

- 4** Assembled the Support Leg (E) to the Long Support (D).



- 5** Fit the Post (F) to the Support Panel (G).

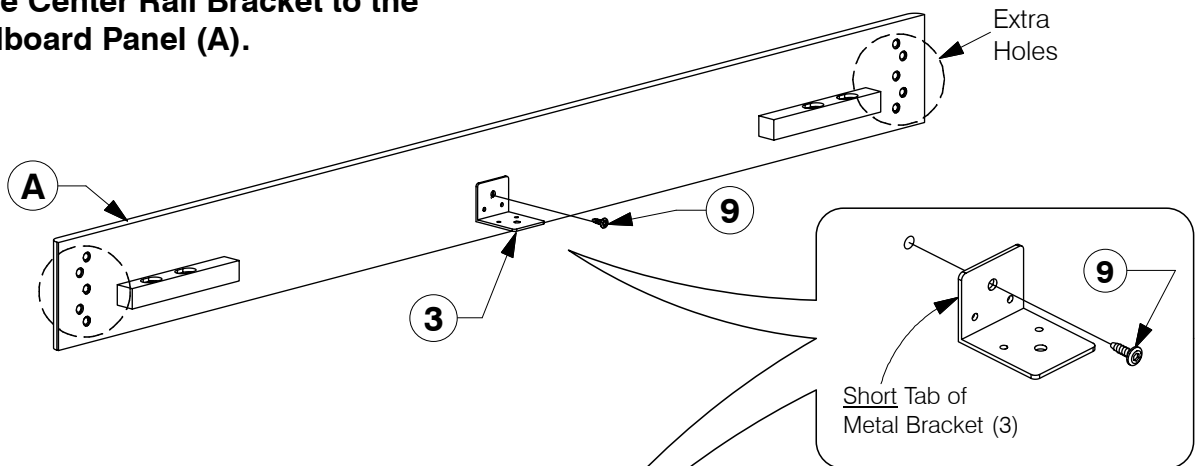


# 97151 Queen Bed

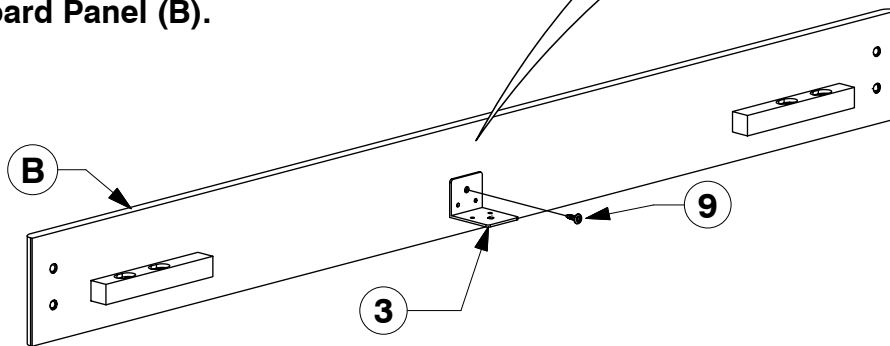
## Assembly Instructions

W11-0419

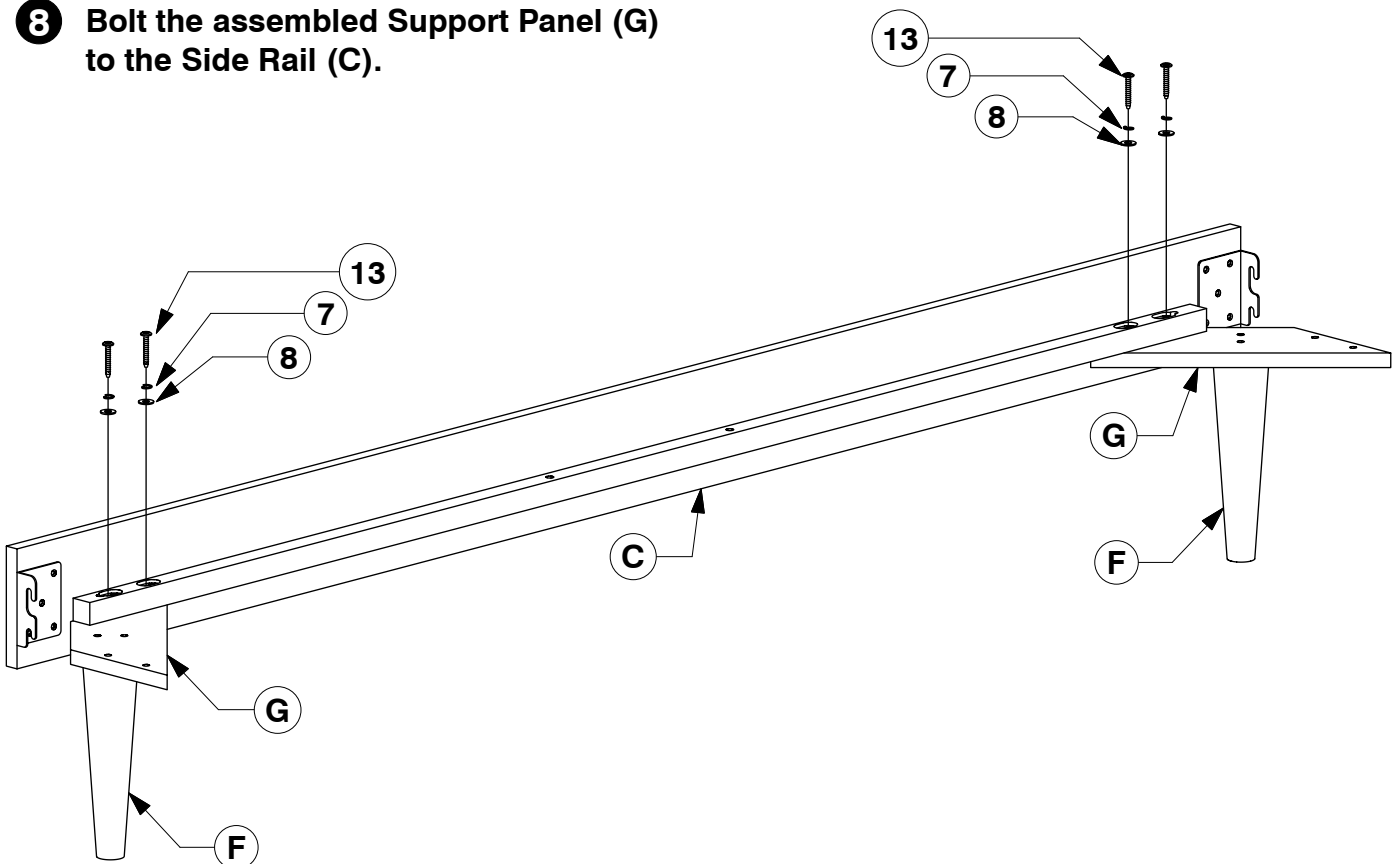
- 6** Fit the Center Rail Bracket to the Headboard Panel (A).



- 7** Fit the Center Rail Bracket to the Footboard Panel (B).



- 8** Bolt the assembled Support Panel (G) to the Side Rail (C).

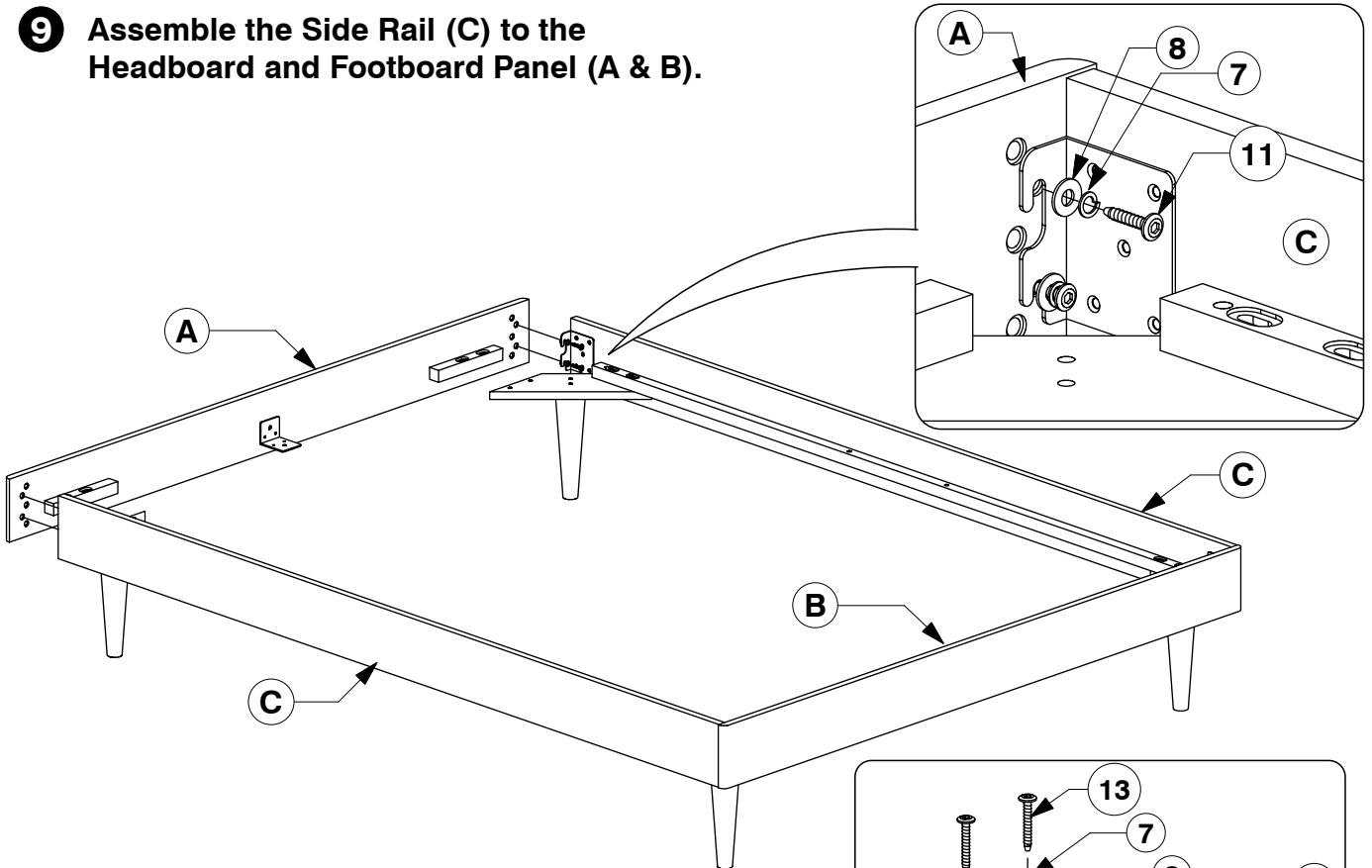


# 97151 Queen Bed

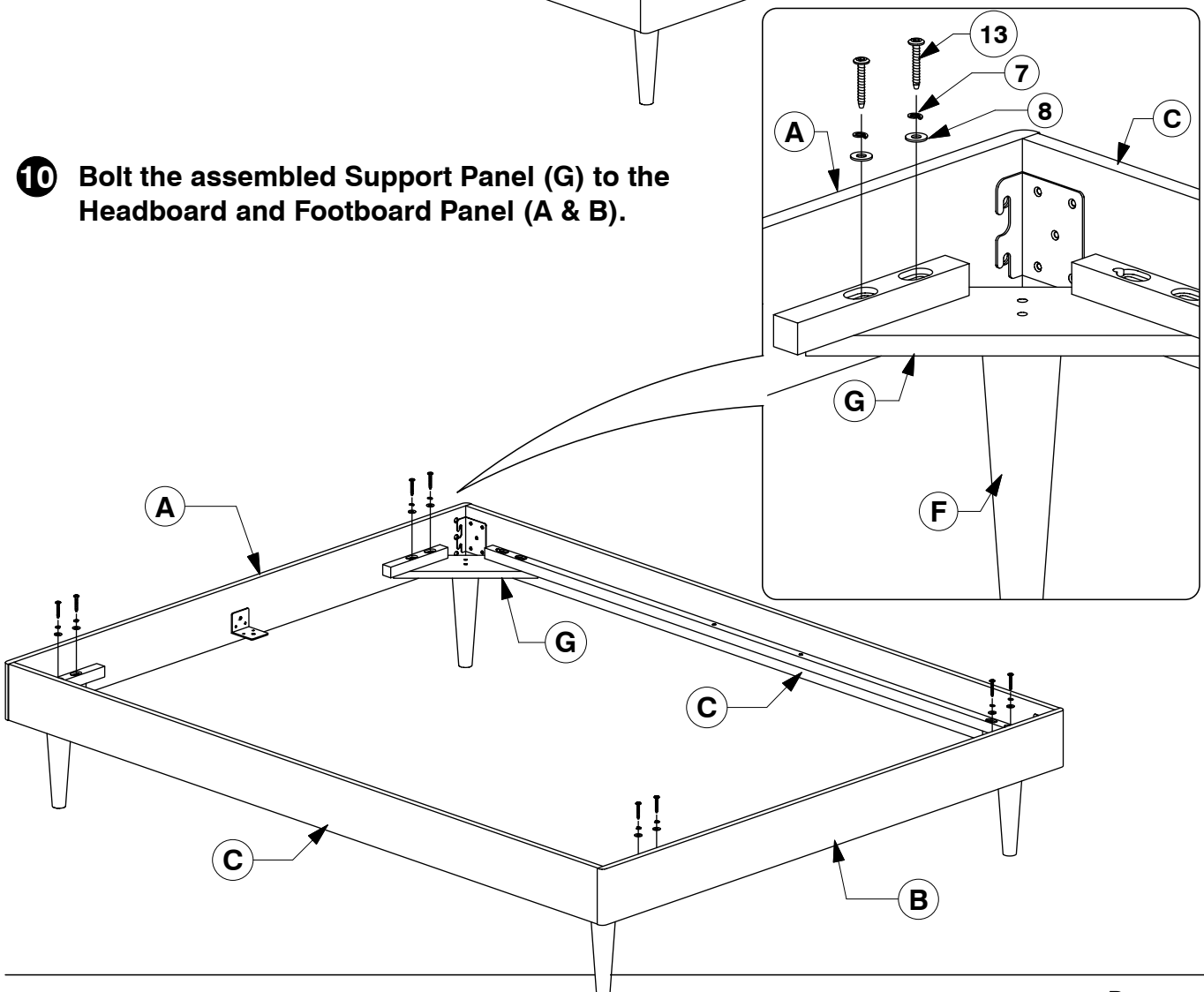
## Assembly Instructions

W11-0419

- 9** Assemble the Side Rail (C) to the Headboard and Footboard Panel (A & B).



- 10** Bolt the assembled Support Panel (G) to the Headboard and Footboard Panel (A & B).

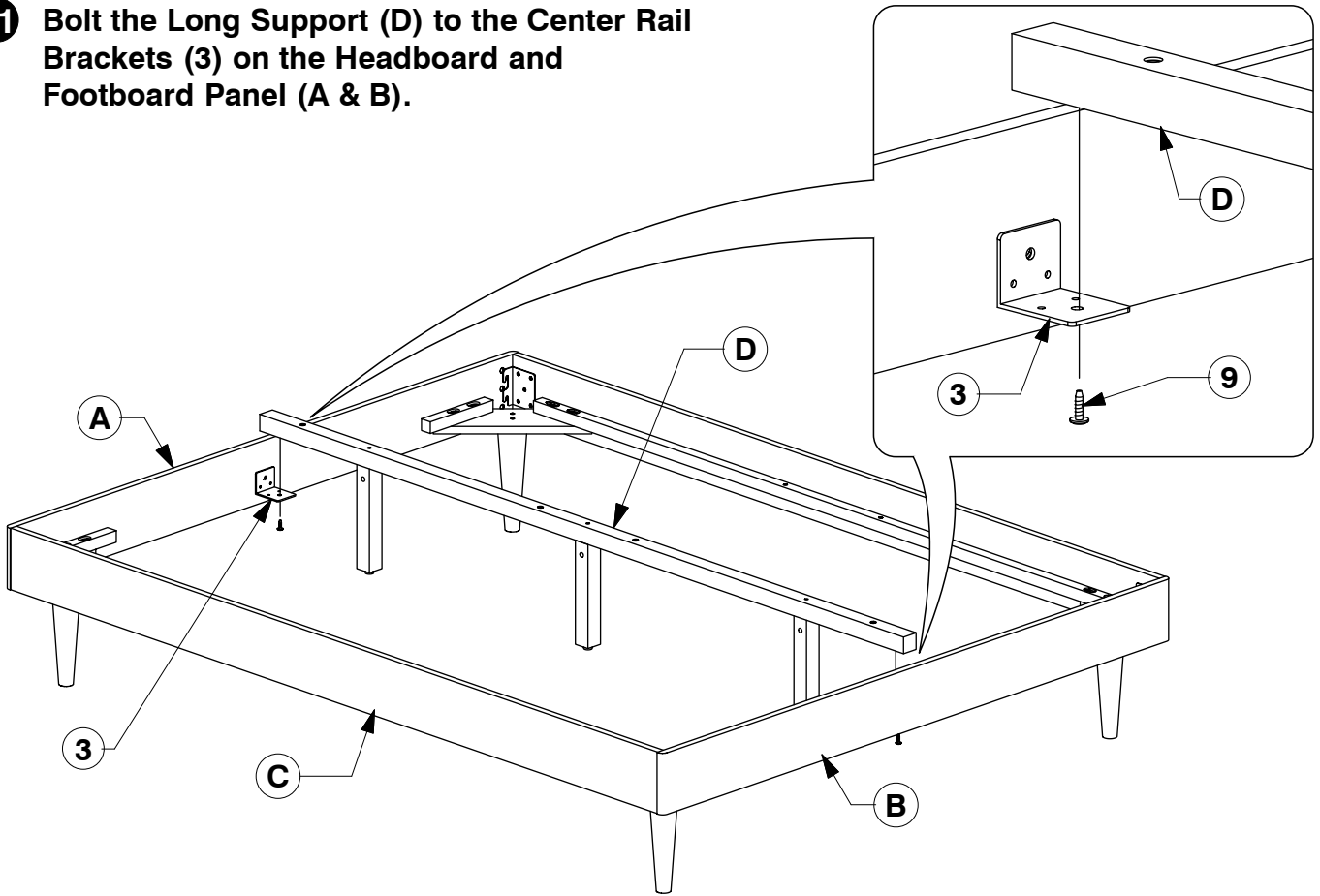


# 97151 Queen Bed

## Assembly Instructions

WII-0419

- 11** Bolt the Long Support (D) to the Center Rail Brackets (3) on the Headboard and Footboard Panel (A & B).



- 12** Bolt & screw the Bed Slats (H) to the Side Rail (C).

