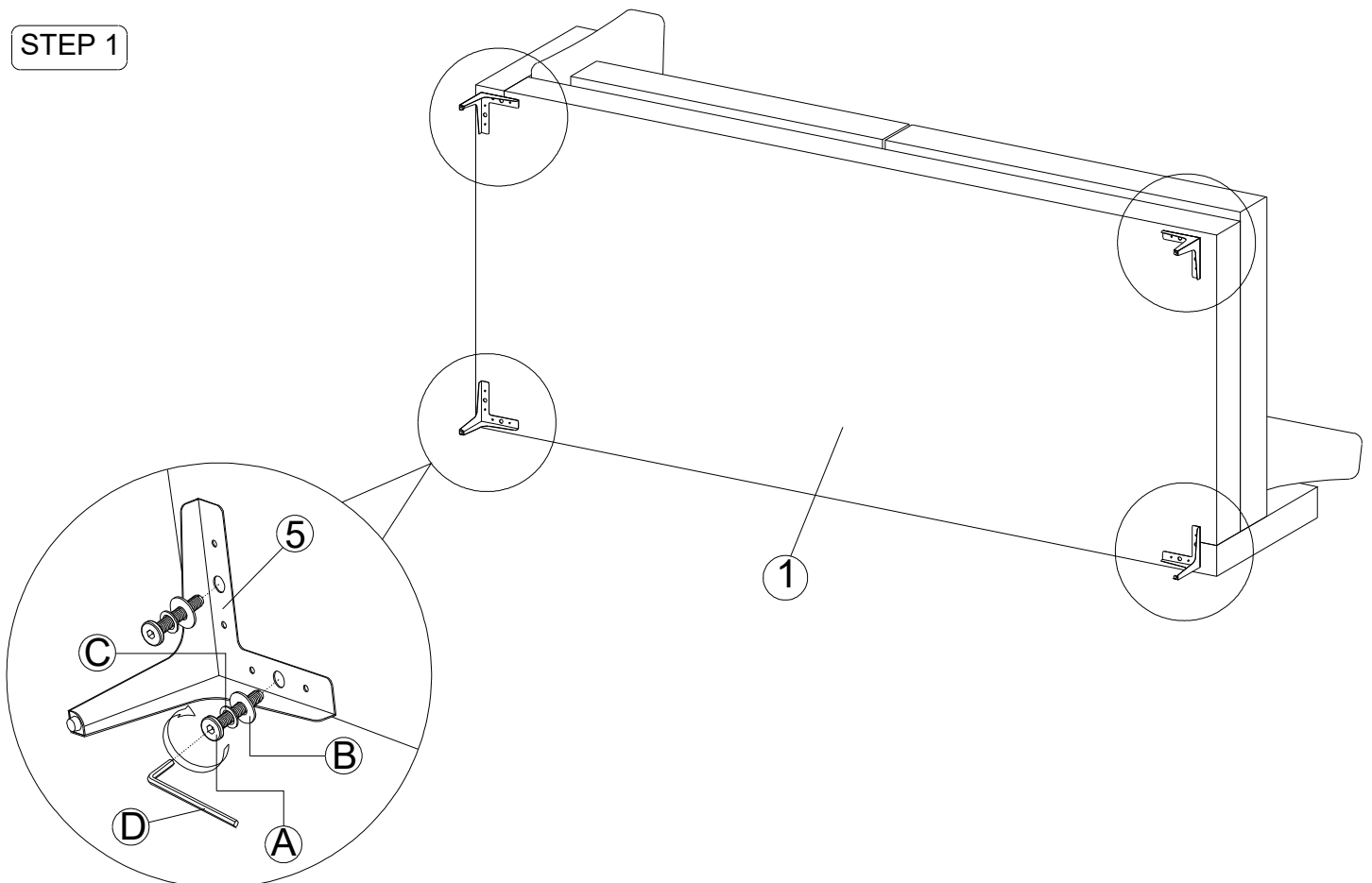


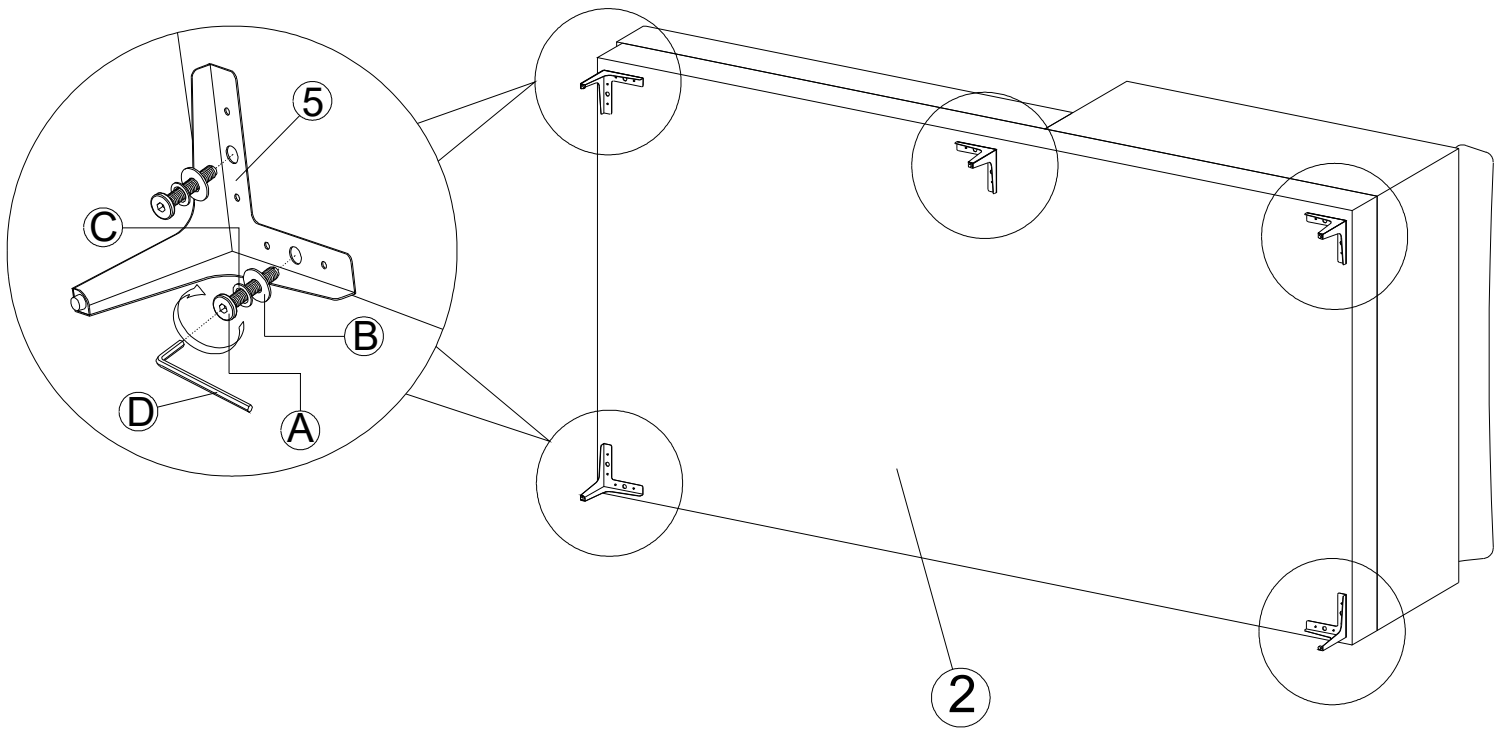
PART LIST		
1	Sofa Seat	2pcs
2	Sofa Chaise	1pc
3	Back Cushion	3pcs
4	Arm Cushion	2pcs
5	Sofa Leg	9pcs

HARDWARE LIST		
A	JCBC M6 x 50	18pcs
B	Flat Washer M6	18pcs
C	Spring Washer M6	18pcs
D	Allen Key M4	1pc

STEP 1



STEP 1



STEP 3

