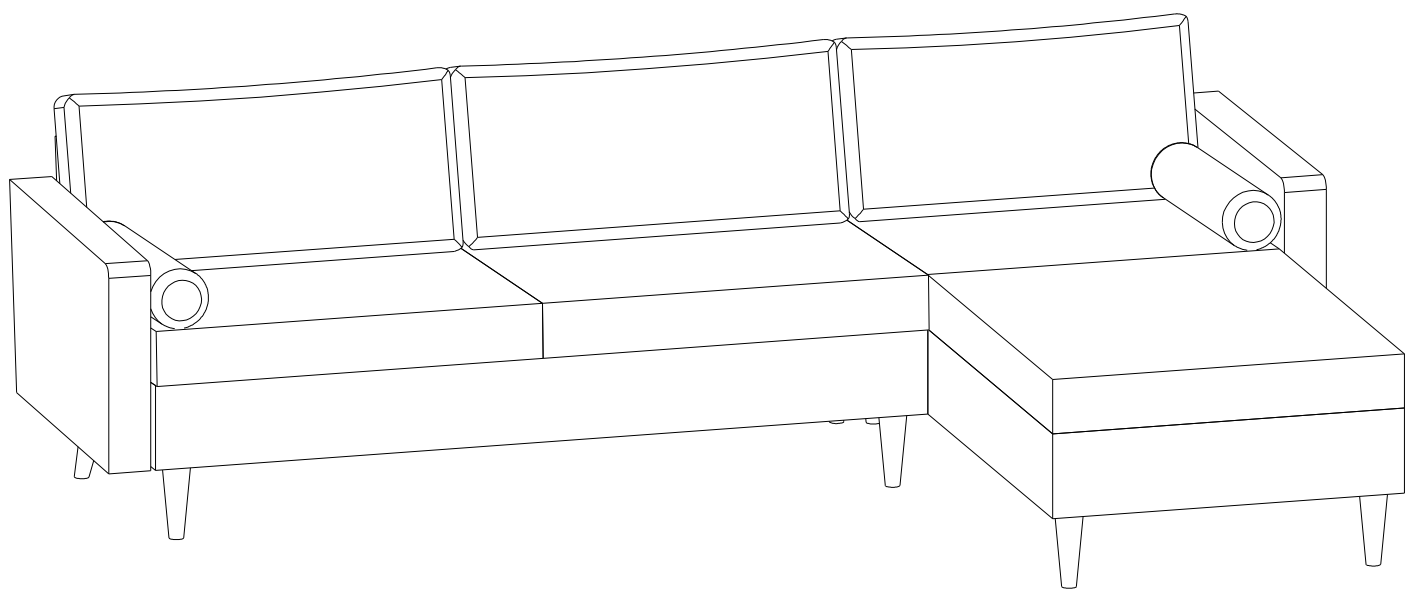


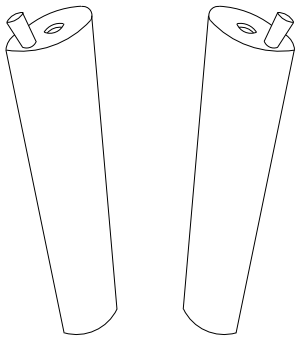
# BAXTON STUDIO



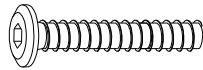
MODEL : Harleson L-Shape

Date : 14-02-2024

# Accessory Package



1 - Back Leg - 4 pcs



3 - JCBC Bolt M8x60mm - 4 pcs



8 - Wood Dowel - 4 pcs



4 - JCBC Bolt M6x60mm - 5 pcs



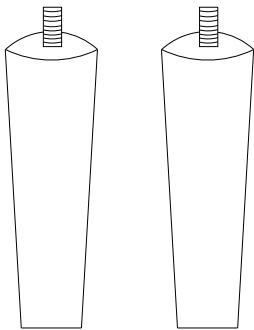
9 - M5 Allenkey - 1 pc



5 - M6 Spring Washer - 5 pcs



10 - M4 Allenkey - 1 pc



2 - Front Leg - 4 pcs

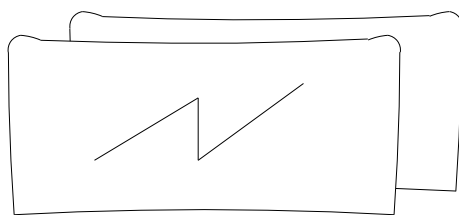


6 - M6 Flat Washer - 5 pcs

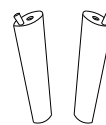


7 - M8 Spring Washer - 4 pcs

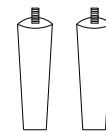
# Diagram of Components



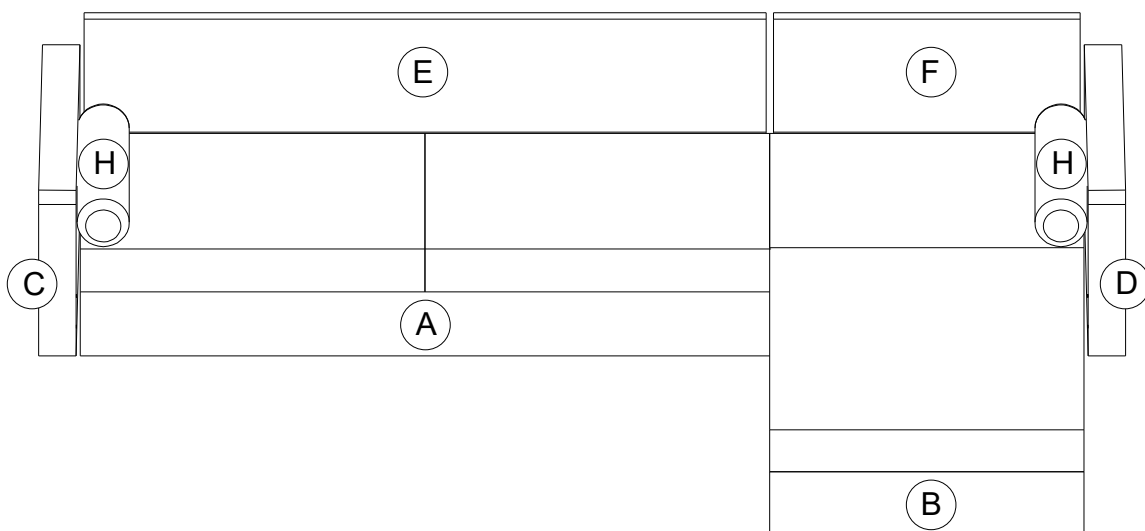
G



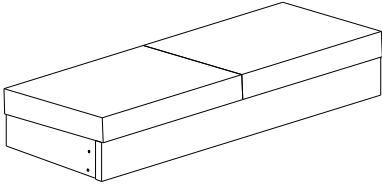
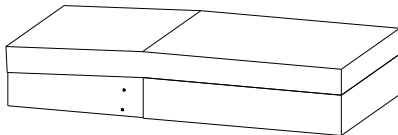
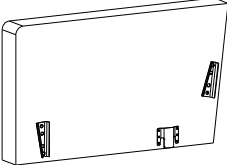
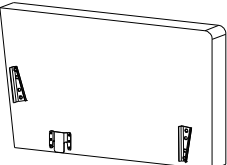
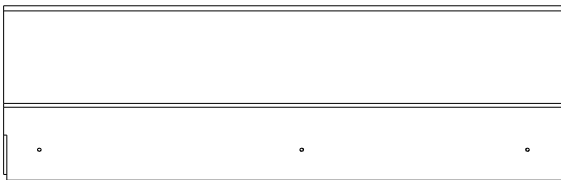
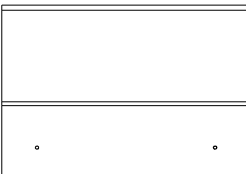
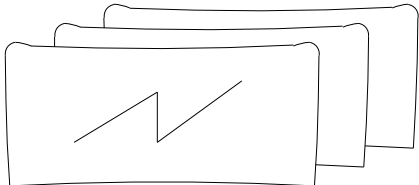
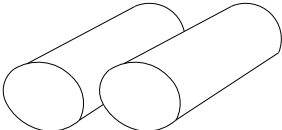
1



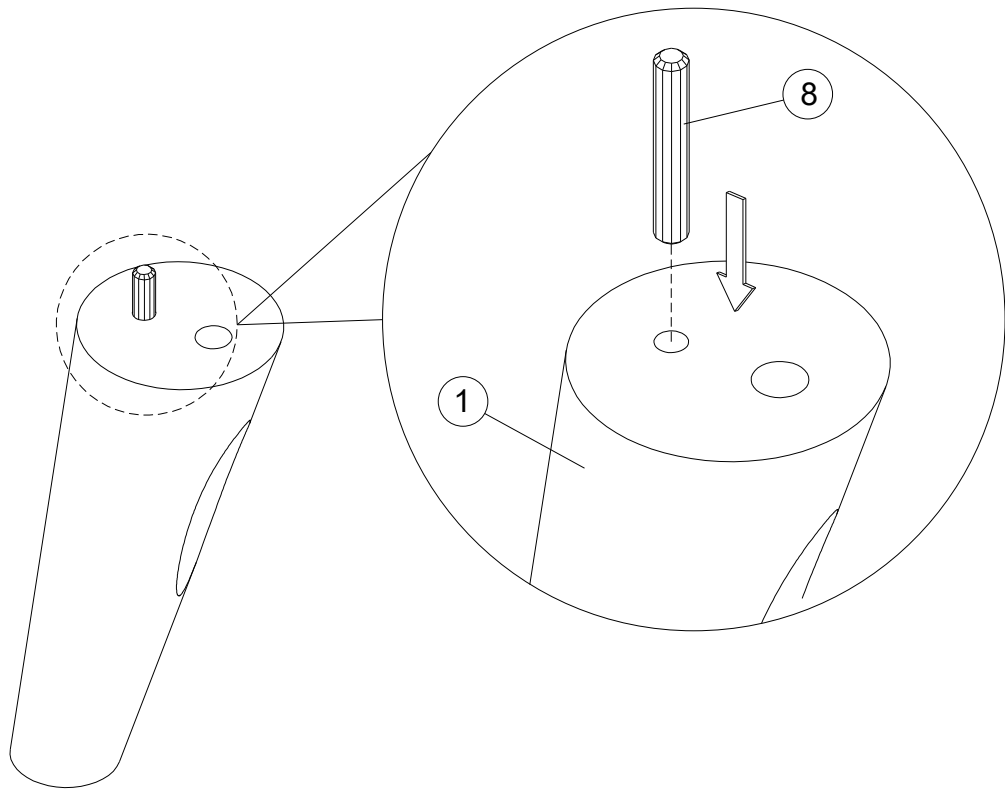
2



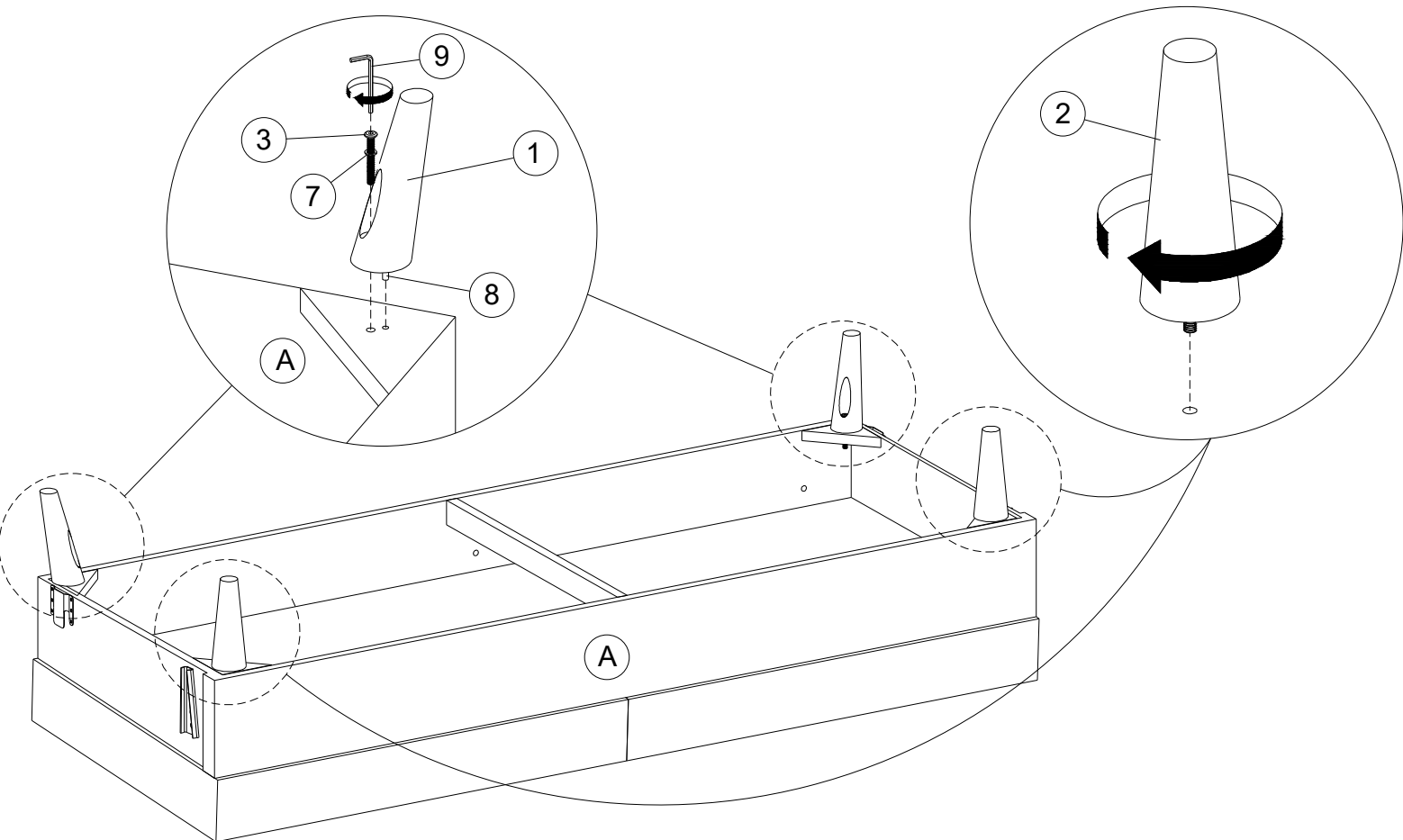
# Parts Included

No.	Parts	Qty.
A	 <p data-bbox="715 461 858 495">Sofa Seat</p>	1
B	 <p data-bbox="651 701 922 734">Sofa Seat L-Shape</p>	1
C	 <p data-bbox="699 943 874 976">Left Armrest</p>	1
D	 <p data-bbox="687 1180 885 1214">Right Armrest</p>	1
E	 <p data-bbox="722 1417 850 1451">Backrest</p>	1
F	 <p data-bbox="659 1659 914 1693">L-shape Backrest</p>	1
G	 <p data-bbox="687 1899 885 1933">Back Cushion</p>	3
H	 <p data-bbox="687 2134 885 2168">Bolster Pillow</p>	2

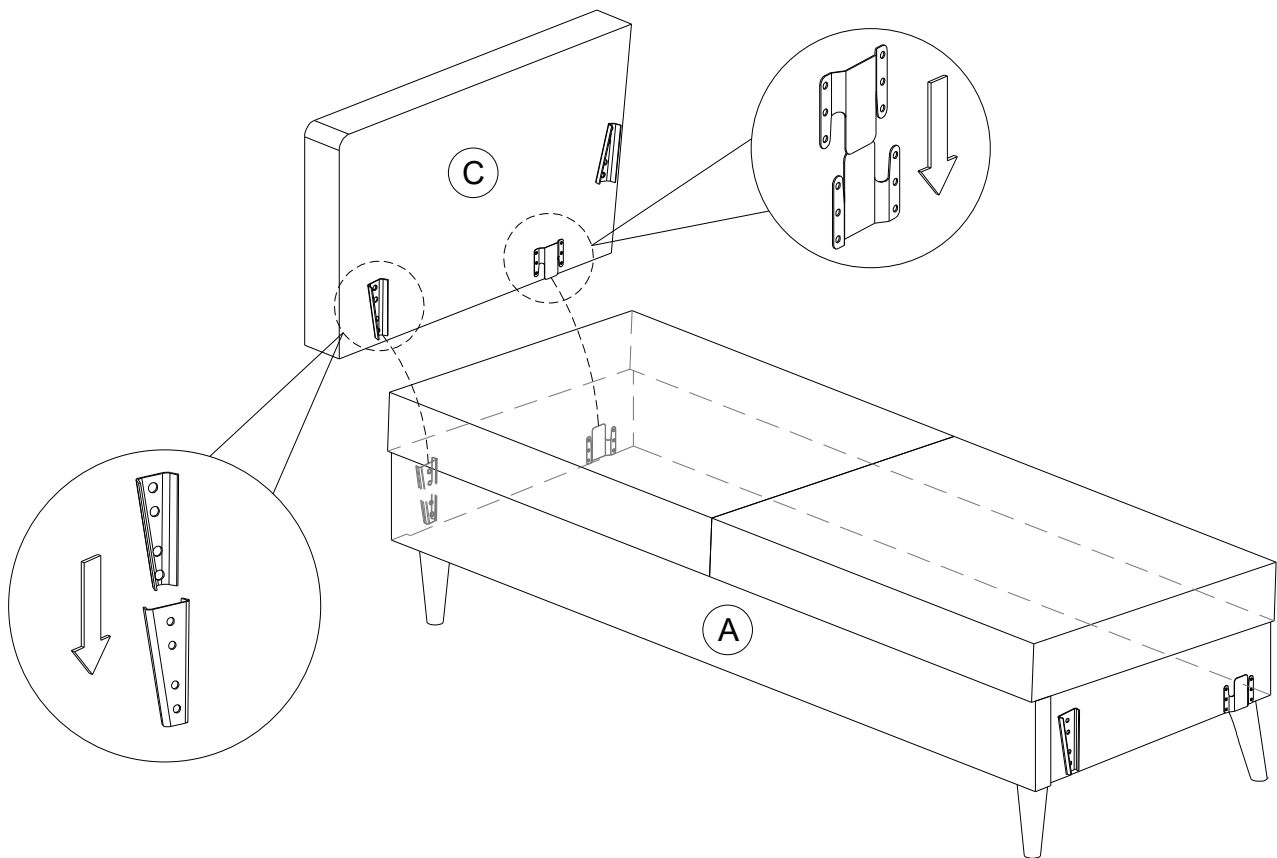
# Step 1



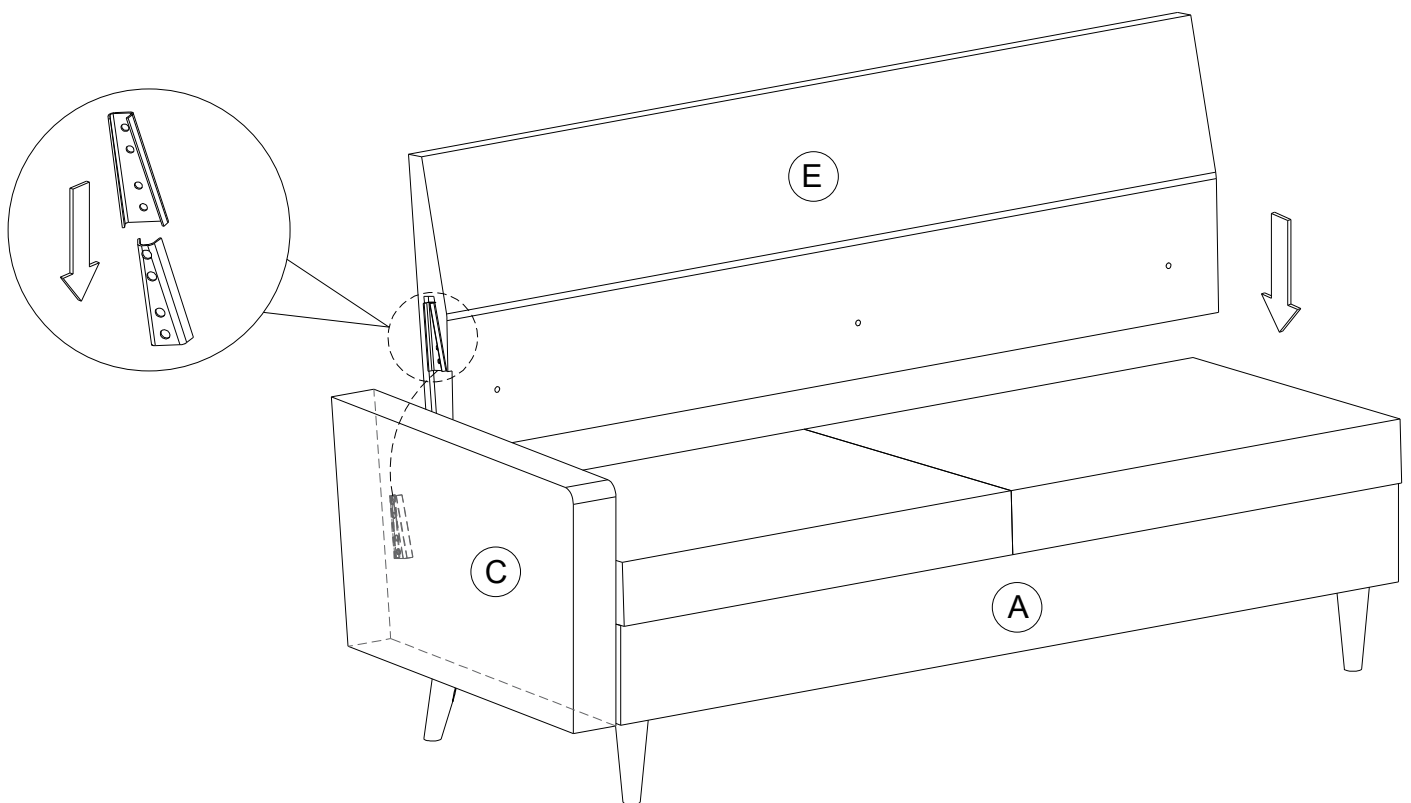
# Step 2



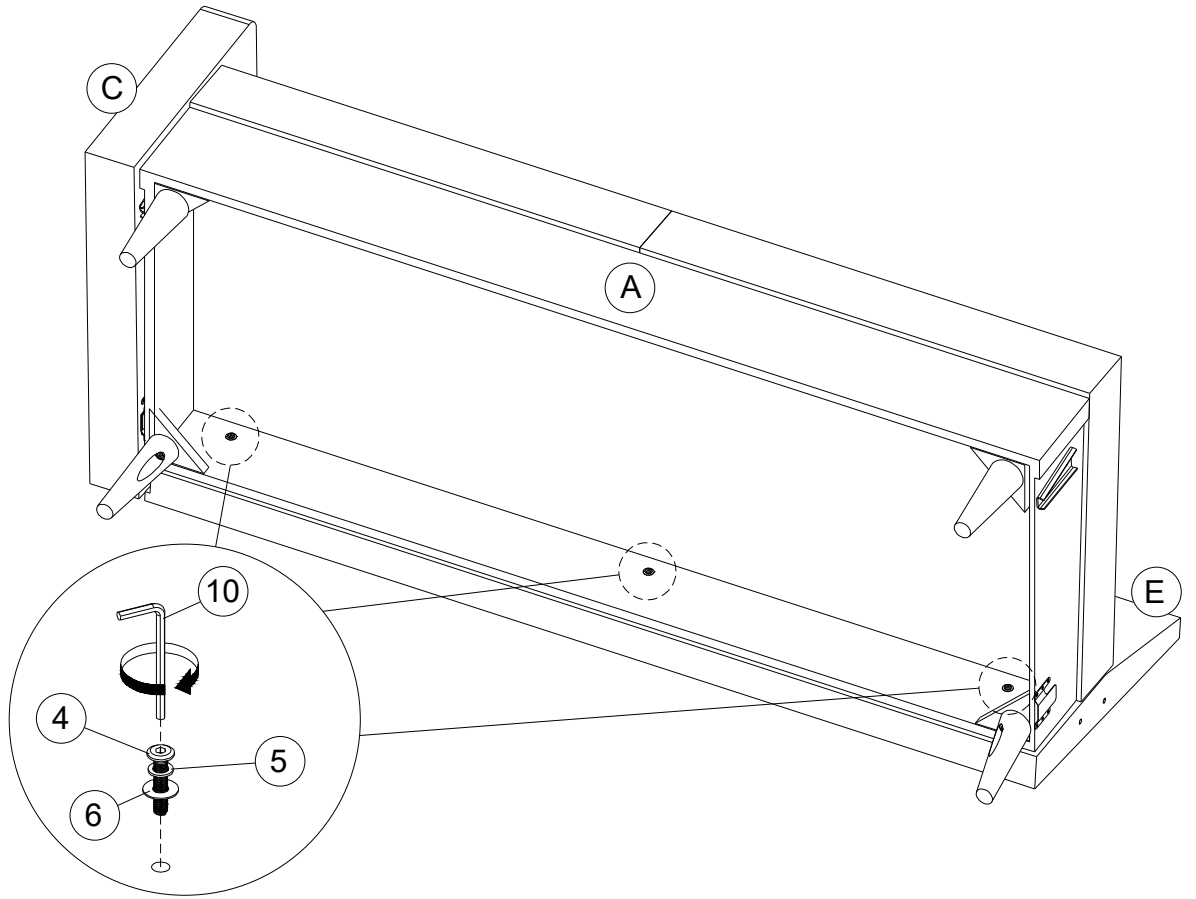
# Step 3



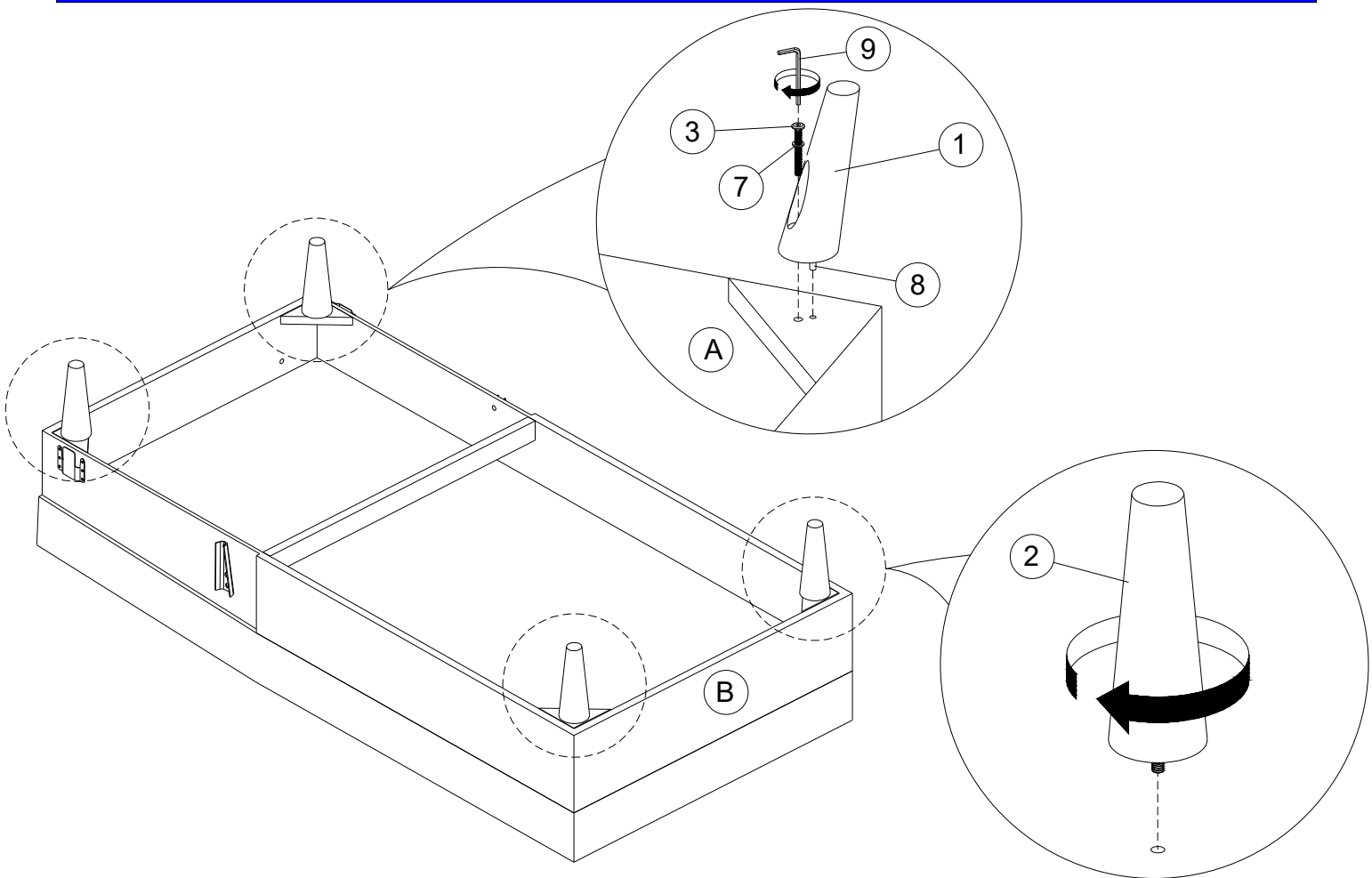
# Step 4



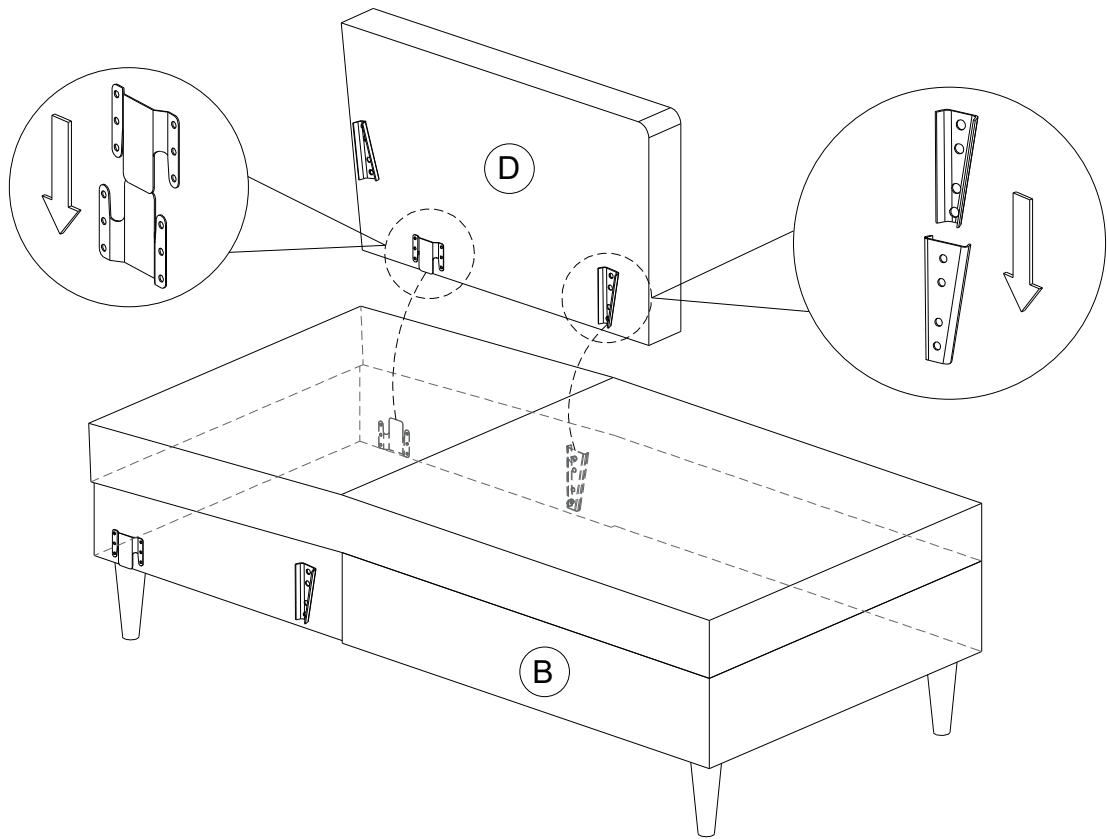
# Step 5



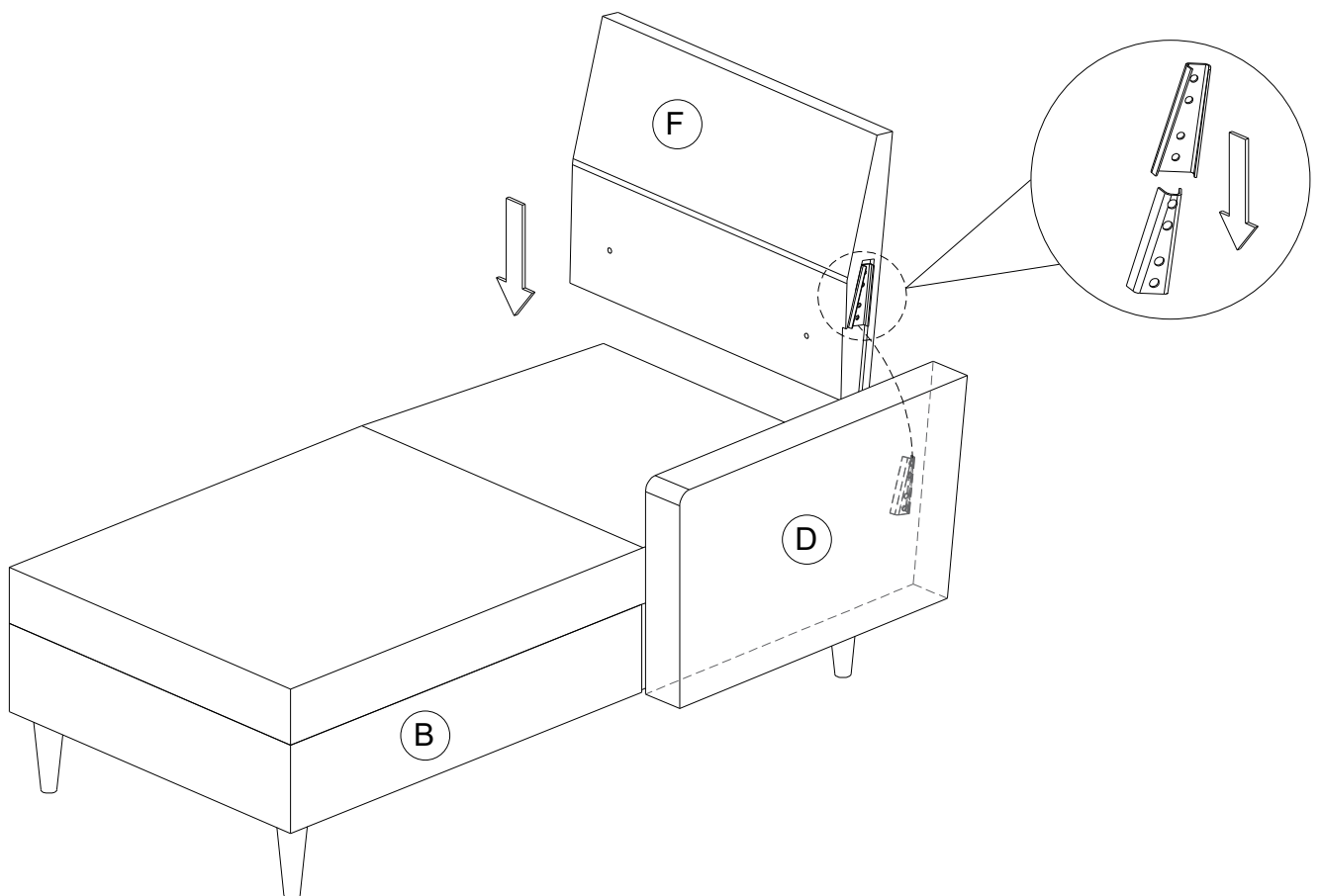
# Step 6



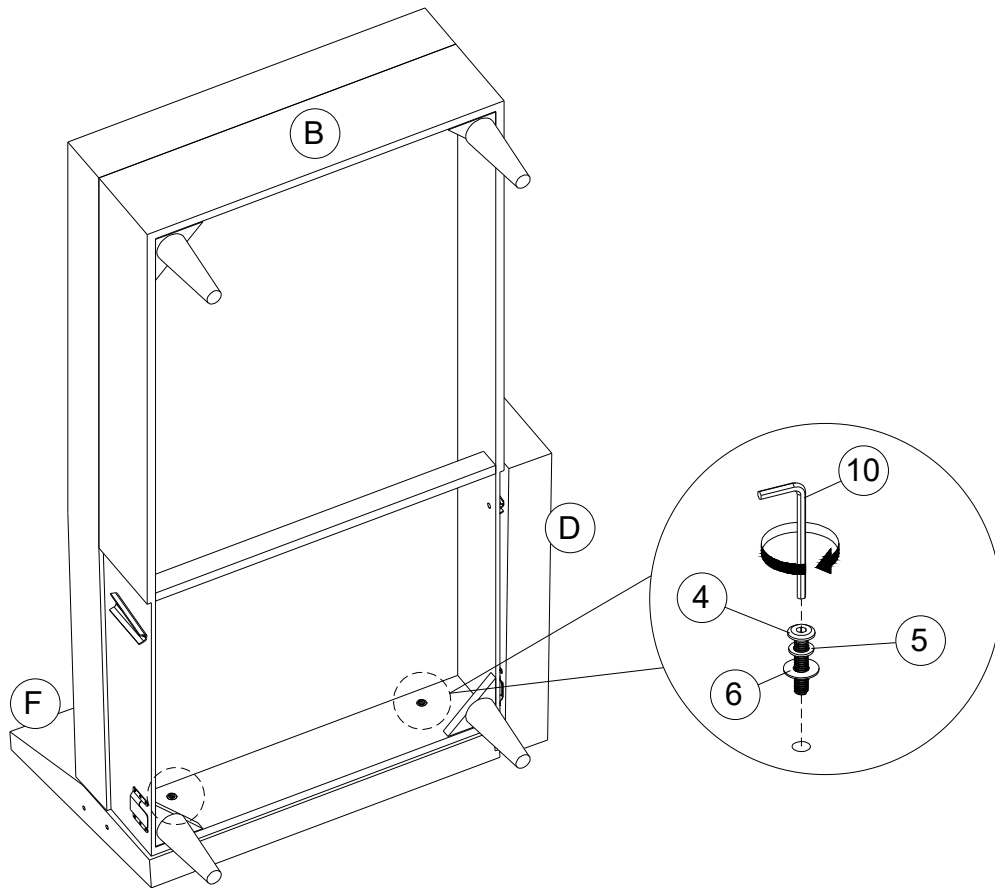
# Step 7



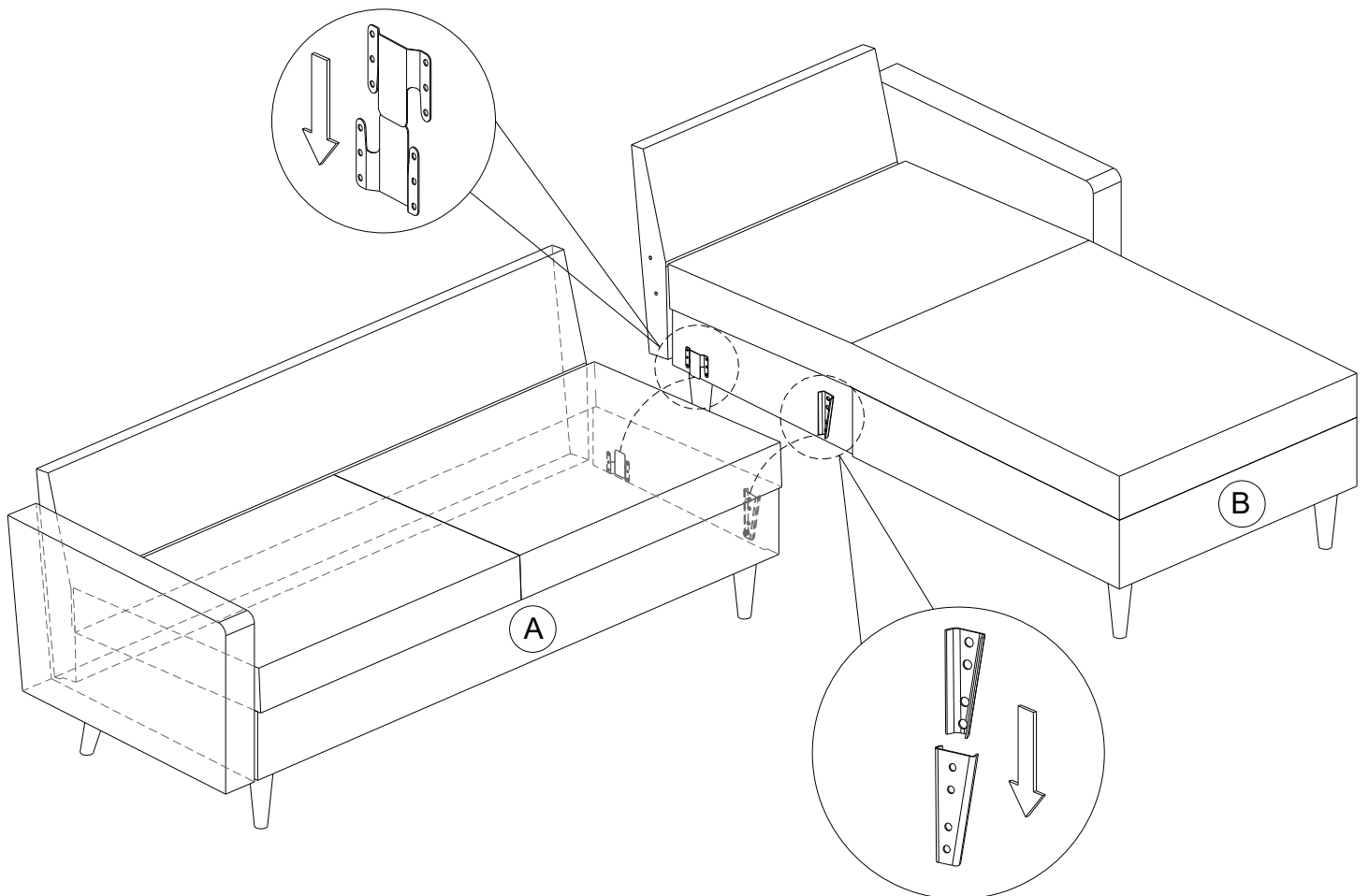
# Step 8



# Step 9



# Step 10





# Step 11

