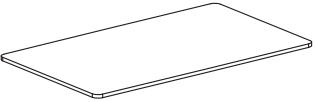
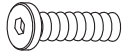
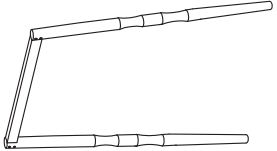
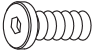
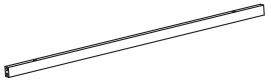

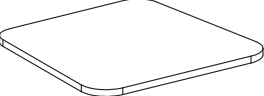
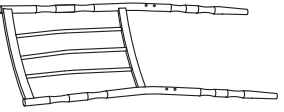
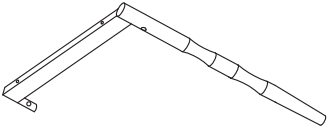

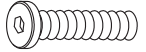
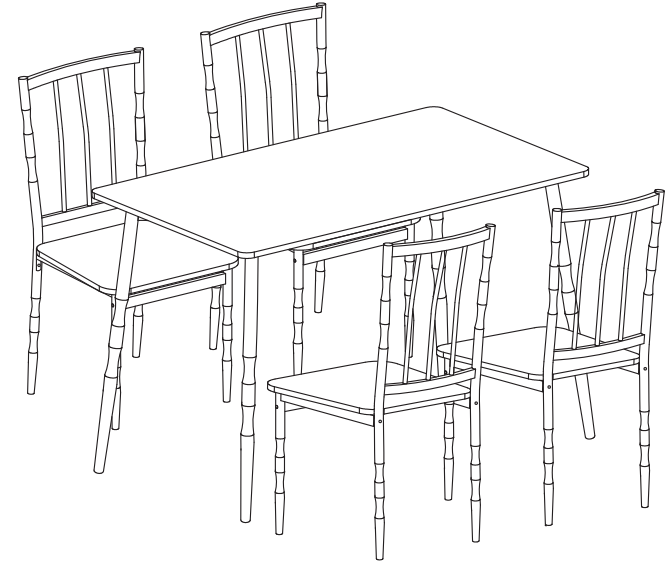


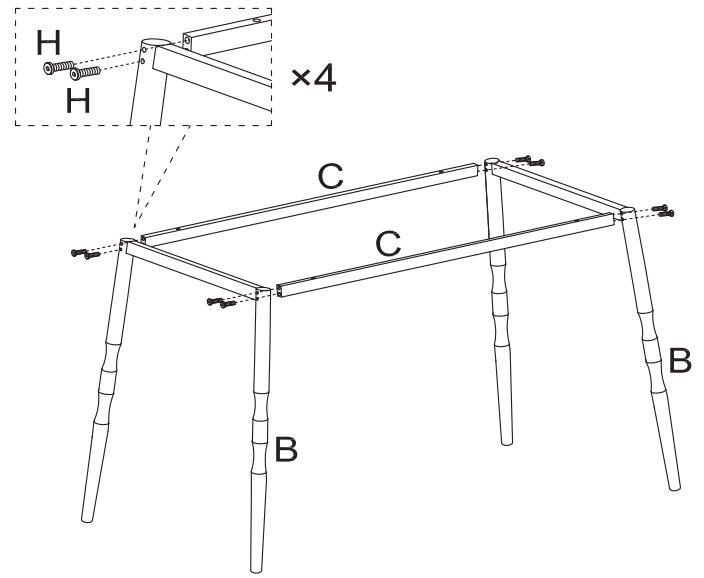
A		1PC	I	 M6×40mm	32PCS
B		2PCS	J	 M6×12mm	8PCS
C		2PCS	K	 4mm	1PC
D		4PCS			
E		4PCS			
F		8PCS			
G		4PCS			
H	 M6×48mm	12PCS			

ASSEMBLY INSTRUCTION
 *** DO NOT TIGHTEN SCREWS UNTIL COMPLETELY ASSEMBLED***



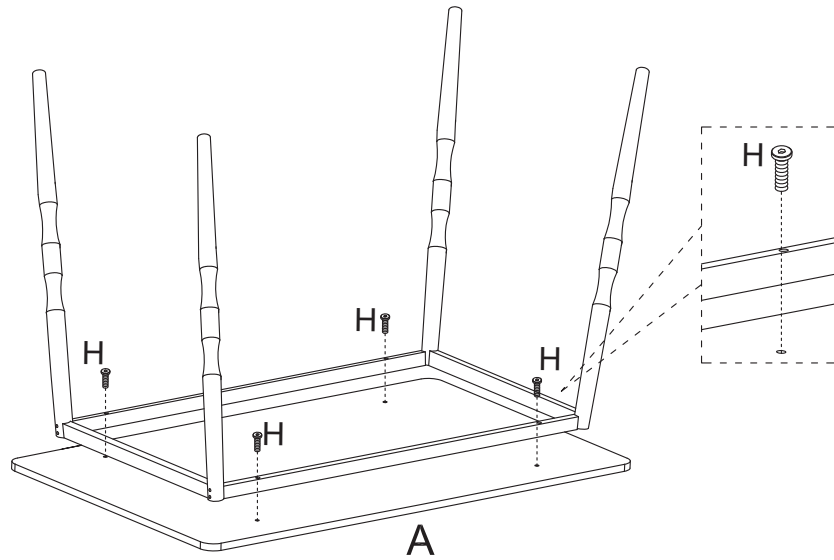
1

Step 1-Use screws(Part H)to connect cross-bars (Part C) with table feet(Part B) as table metal frame

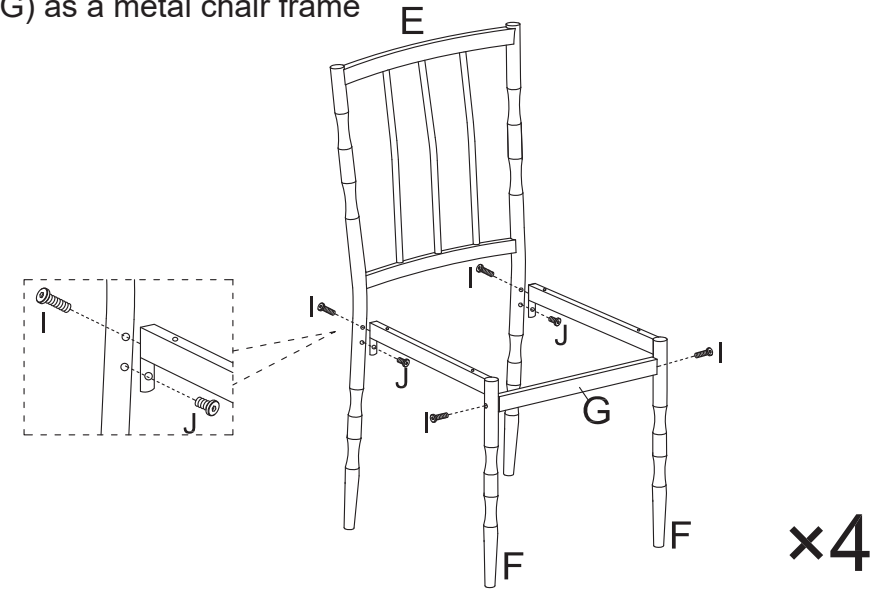


2

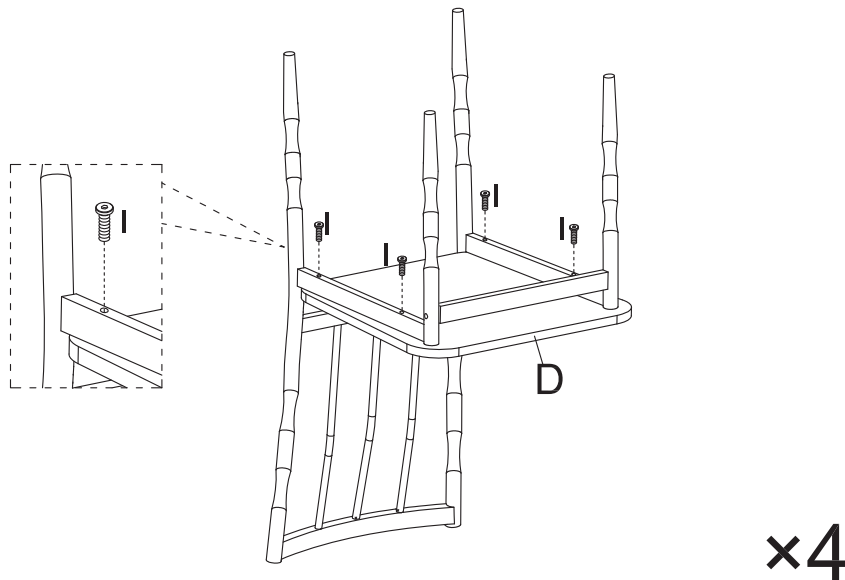
Step 2-Use screws(Part H)to connect table metal frame with the table top(Part A)

**3**

Step 3-Use screws(Part I/J)to connect chair feet(Part F) with backrest frame(Part E)
-Use screws(Part I)to connect chair feet(Part F) with cross-bars (Part G) as a metal chair frame

**4**

Step 4-Use screws(Part I) to connect the chair metal frame with seat(Part D)

**5**