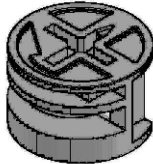
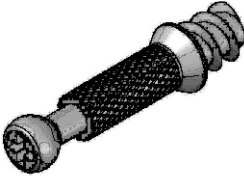
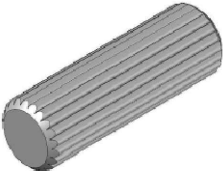
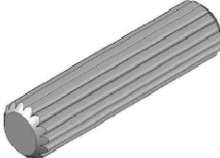
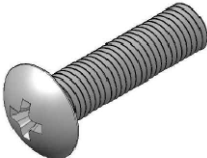
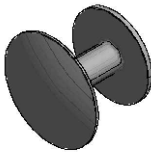


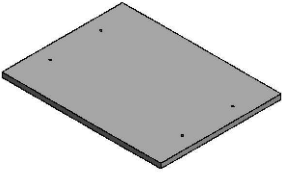
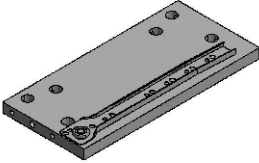
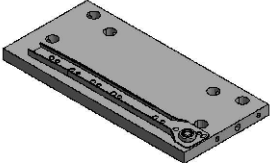
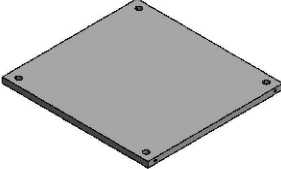
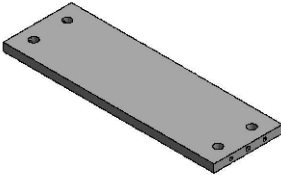
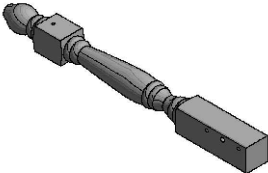
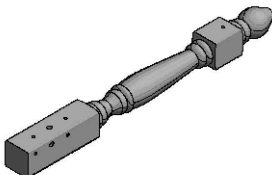
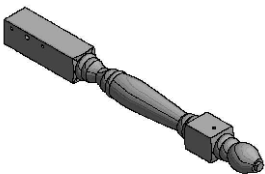
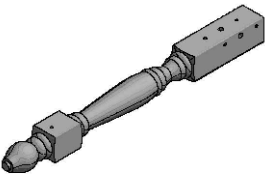
RODEN NS ASSEMBLY INSTRUCTION

HARDWARES LIST

ITEM	DESCRIPTION	DRAWING	QTY
A	MINIFIX CAM LOCK		24 PCS
B	MINIFIX CAM BOLT		24 PCS
C	WOOD DOWEL (M8 x 25MM)		6 PCS
D	WOOD DOWEL (M6 x 25MM)		4 PCS
E	TRUSS M-SCREW (25MM)		1 PC
F	HANDLE		1 PC

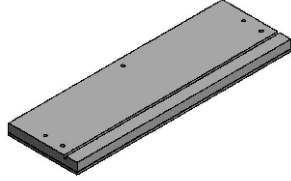
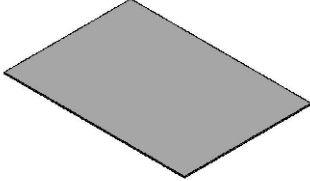
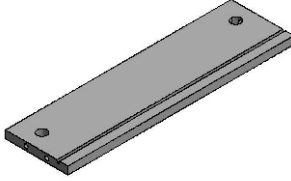
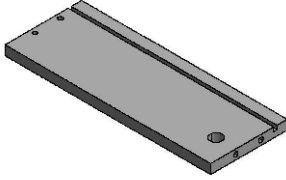
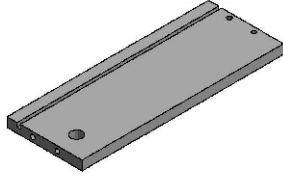
RODEN NS ASSEMBLY INSTRUCTION

PARTS LIST

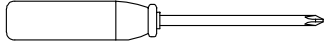
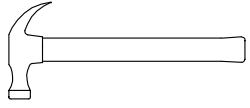
ITEM	DESCRIPTION	DRAWING	QTY
N1	TOP PANEL		1 PC
N2	LEFT PANEL		1 PC
N3	RIGHT PANEL		1 PC
N4	BOTTOM PANEL		1 PC
N5	BACK PANEL		1 PC
N6	WOODEN LEG (i)		1 PC
N7	WOODEN LEG (ii)		1 PC
N8	WOODEN LEG (iii)		1 PC
N9	WOODEN LEG (iv)		1 PC

RODEN NS ASSEMBLY INSTRUCTION

PARTS LIST

ITEM	DESCRIPTION	DRAWING	QTY
N10	DRAWER HEAD		1 PC
N11	DRAWER BOTTOM PANEL		1 PC
N12	DRAWER BACK PANEL		1PC
19	DRAWER LEFT PANEL		1 PC
20	DRAWER RIGHT PANEL		1 PC

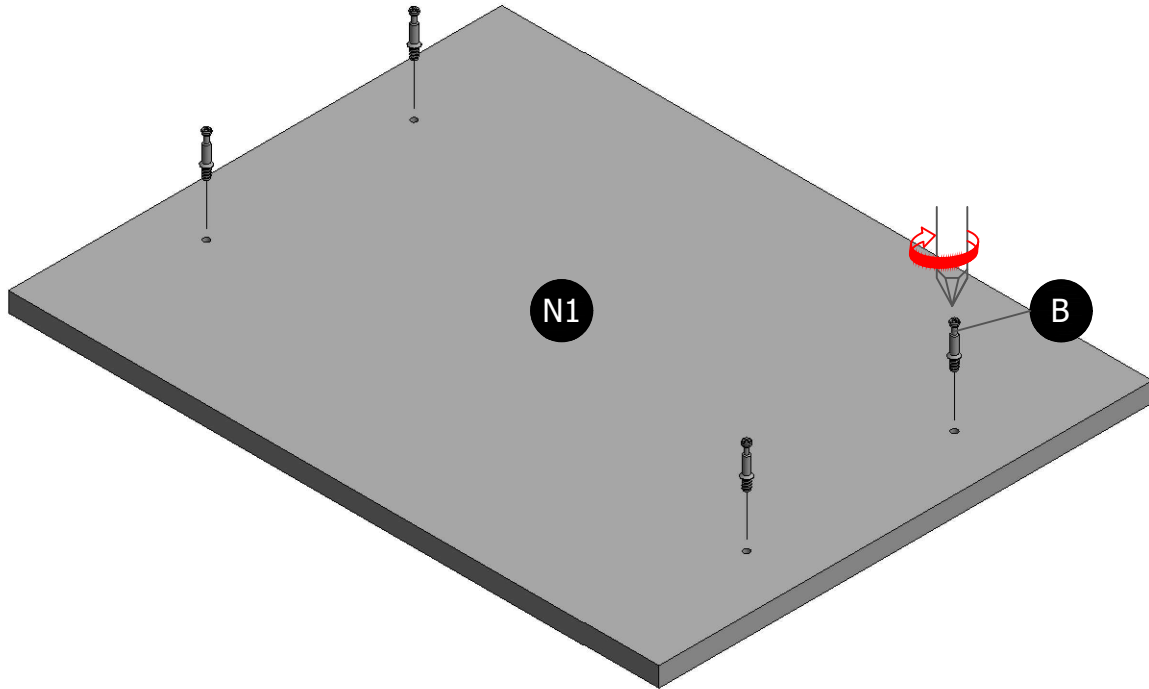
*Note: All parts needed are shown in above picture.
Numbers only indicate the specific parts for easy assembly.

ASSEMBLY TOOLS REQUIRED	
<p>1. Screwdriver (not provide)</p> 	<p>2. Hammer (not provide)</p> 

RODEN NS ASSEMBLY INSTRUCTION

STEP 1

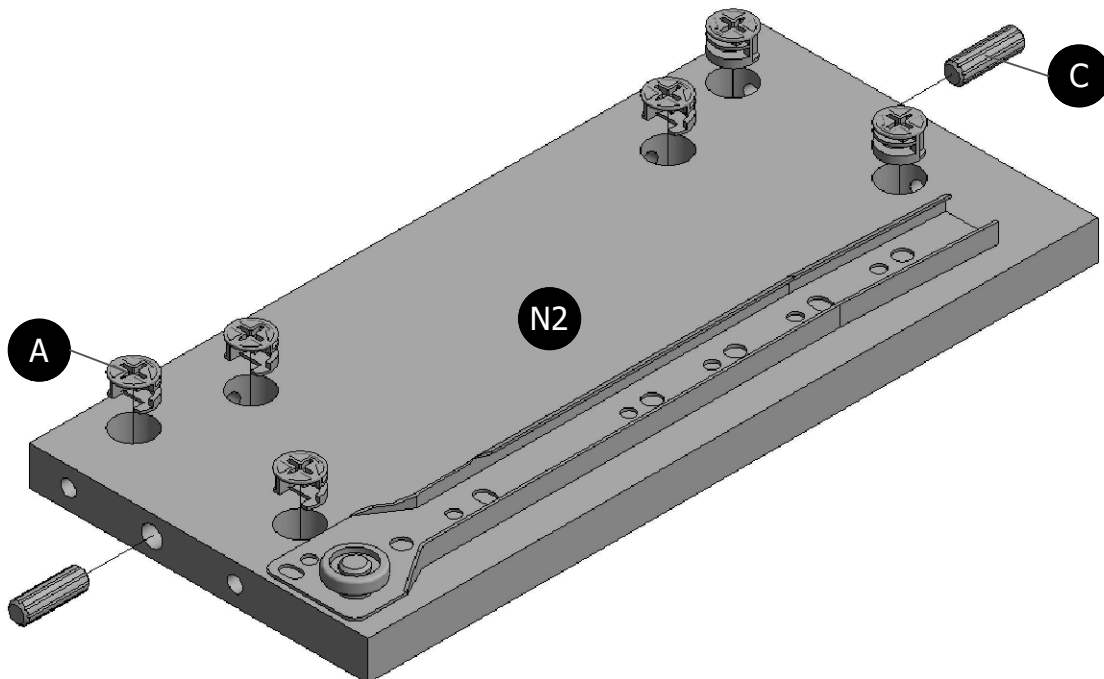
Begin secure Top Panel (N1) with 4 Minifix Cam Bolt (B) using screwdriver.



STEP 2

Then inserting 6 Minifix Cam Lock (A) and 2 Wood Dowel (C) to the Left Panel (N2).

NOTE : - Make sure arrows on each (A) point towards nearest edge with hole.

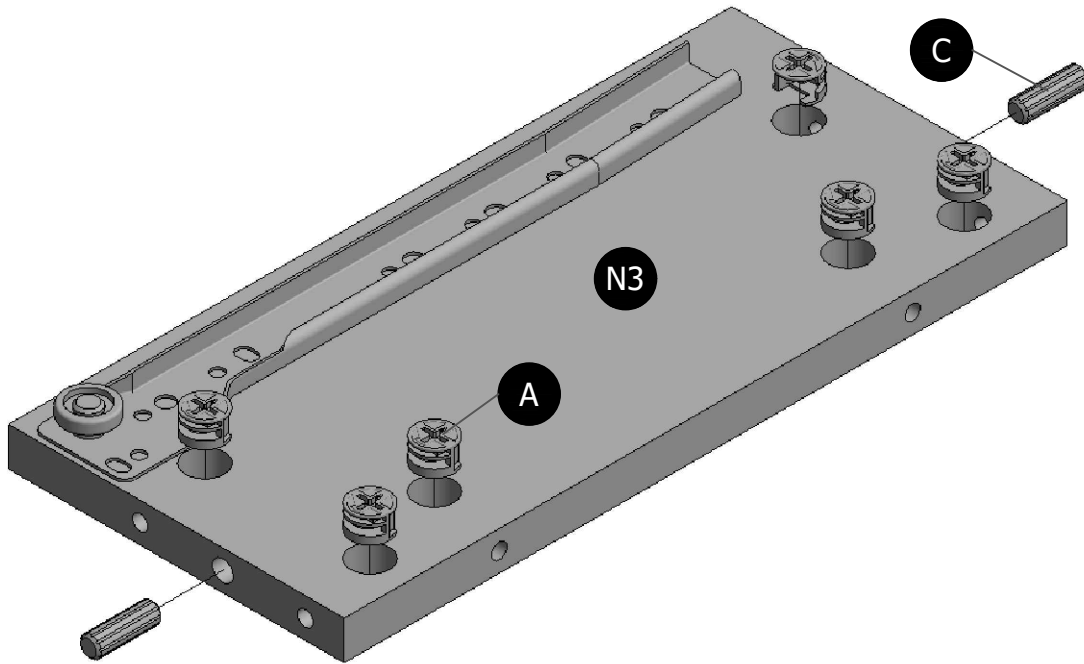


RODEN NS ASSEMBLY INSTRUCTION

STEP 3

Inserting 6 Minifix Cam Lock (A) and 2 Wood Dowel (C) to the Right Panel (N3).

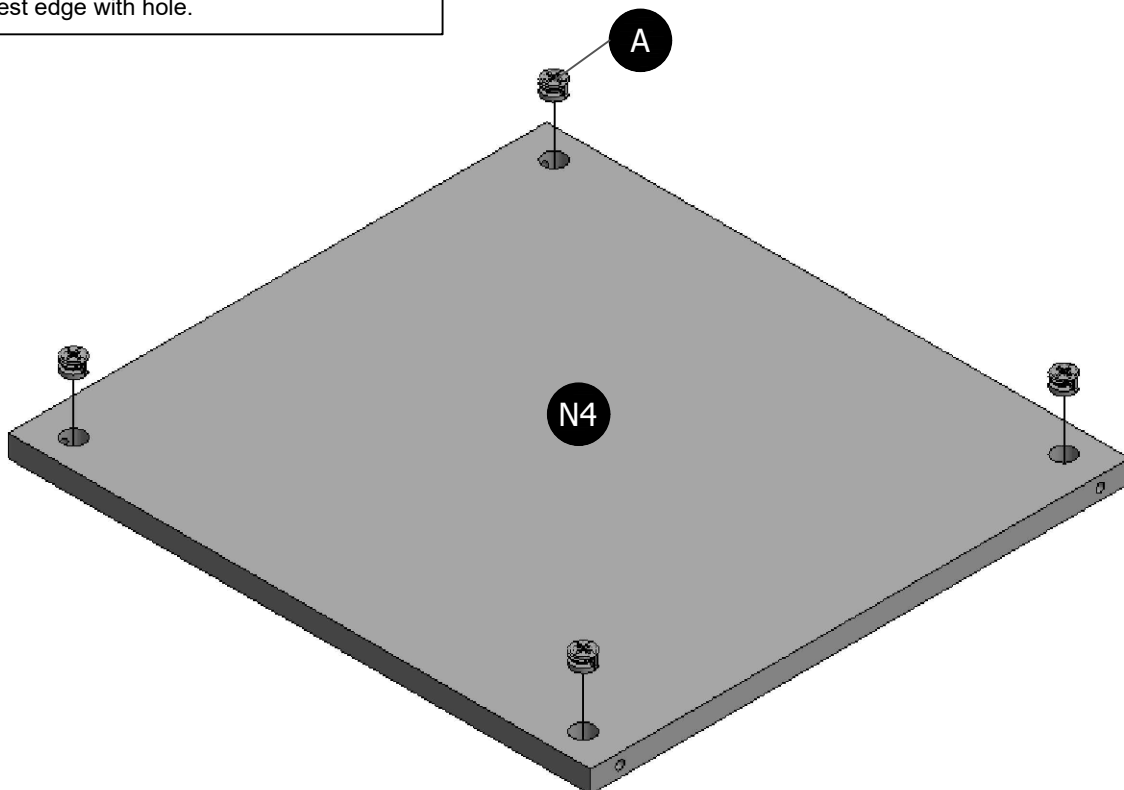
NOTE : - Make sure arrows on each (A) point towards nearest edge with hole.



STEP 4

Inserting 4 Minifix Cam Lock (A) to the Bottom Panel (N4).

NOTE : - Make sure arrows on each (A) point towards nearest edge with hole.

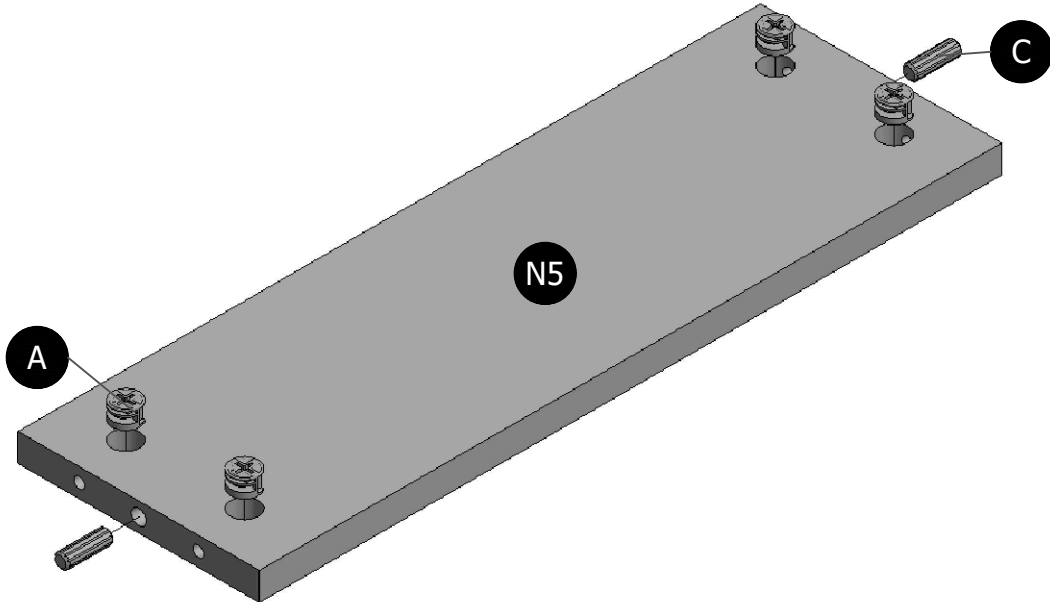


RODEN NS ASSEMBLY INSTRUCTION

STEP 5

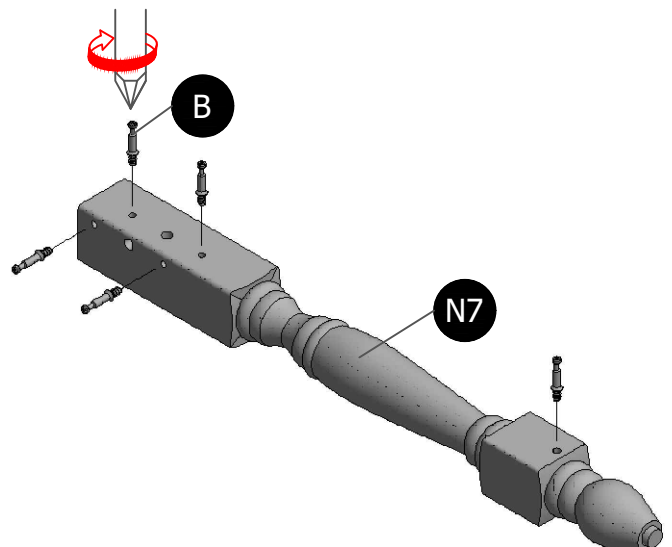
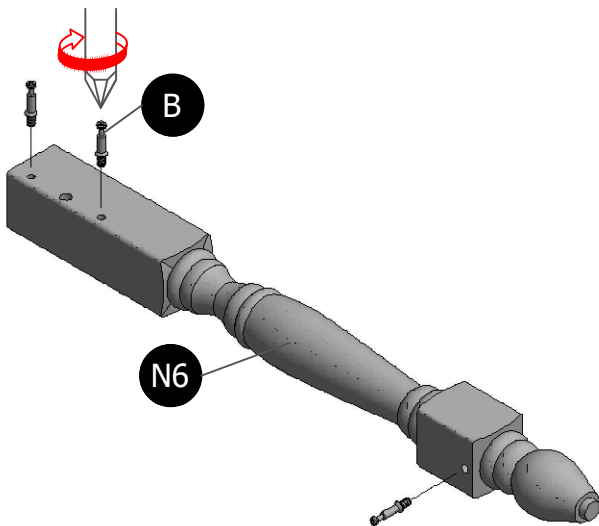
Inserting 4 Minifix Cam Lock (A) and 2 Wood Dowel (C) to the Back Panel (N5).

NOTE : - Make sure arrows on each (A) point towards nearest edge with hole.



STEP 6

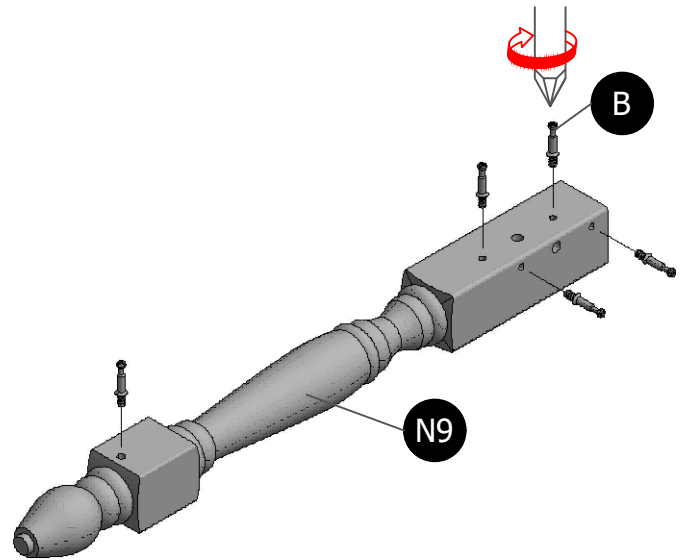
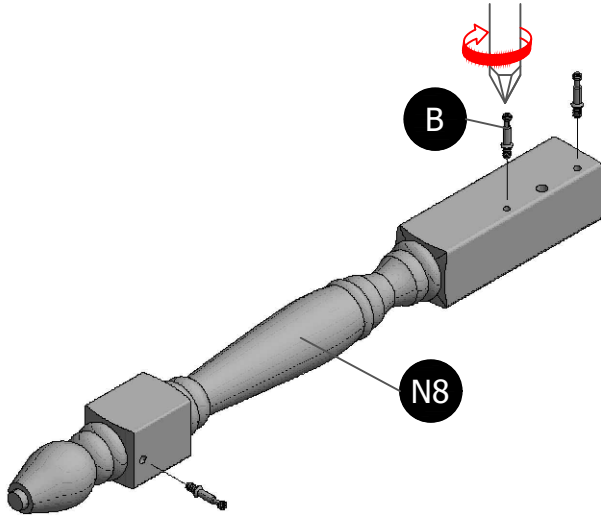
Inserting 3 Minifix Cam Bolt (B) by using screwdriver into the Wooden Leg (N6). Therefore, insert 5 Minifix Cam Bolt (B) by using screwdriver into another Wooden Leg (N7).



RODEN NS ASSEMBLY INSTRUCTION

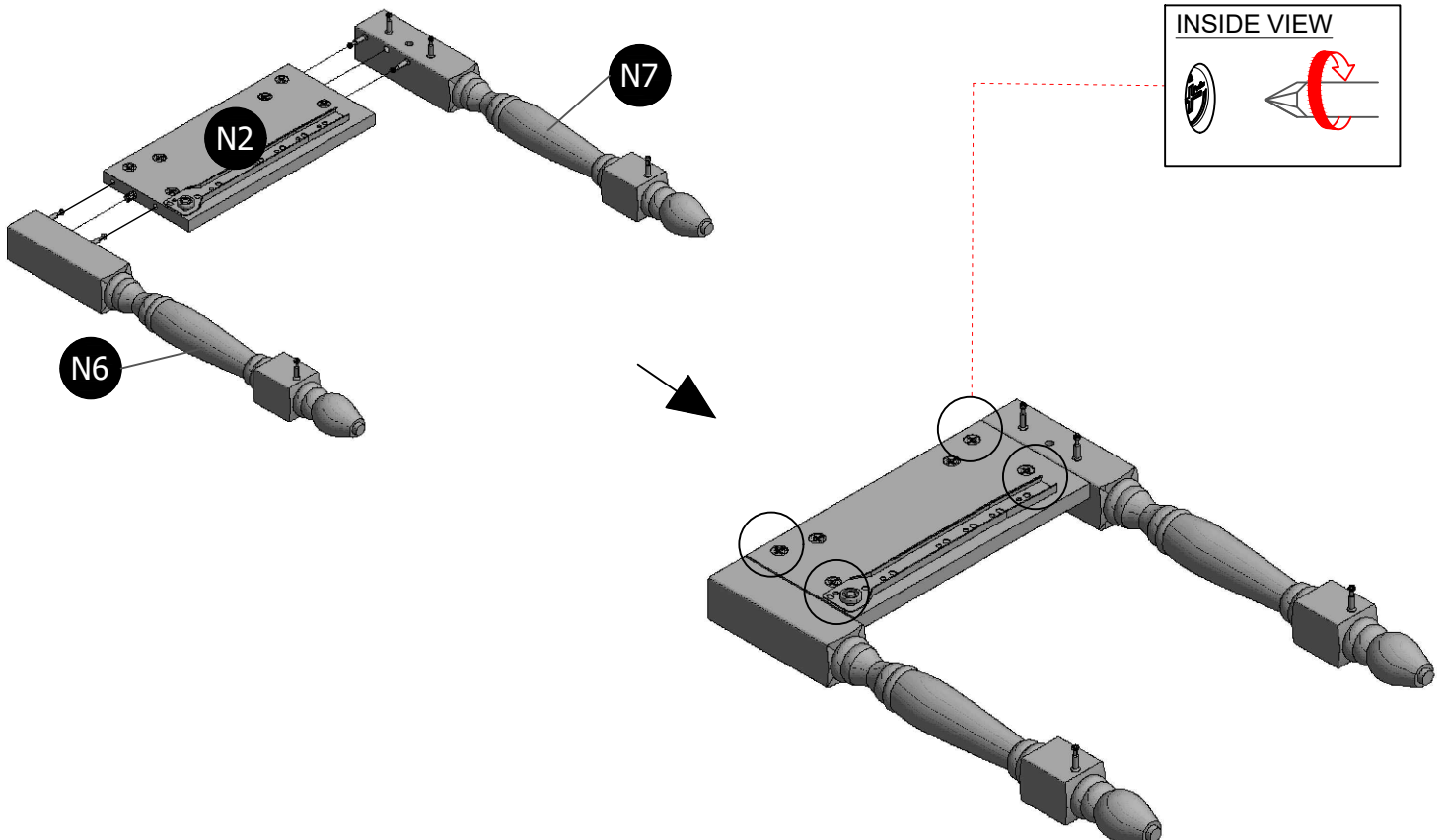
STEP 7

Now, please insert 3 Minifix Cam Bolt (B) into the Wooden Leg (N8) and 5 Minifix Cam Bolt (B) into another Wooden Leg (N9) by using screwdriver.



STEP 8

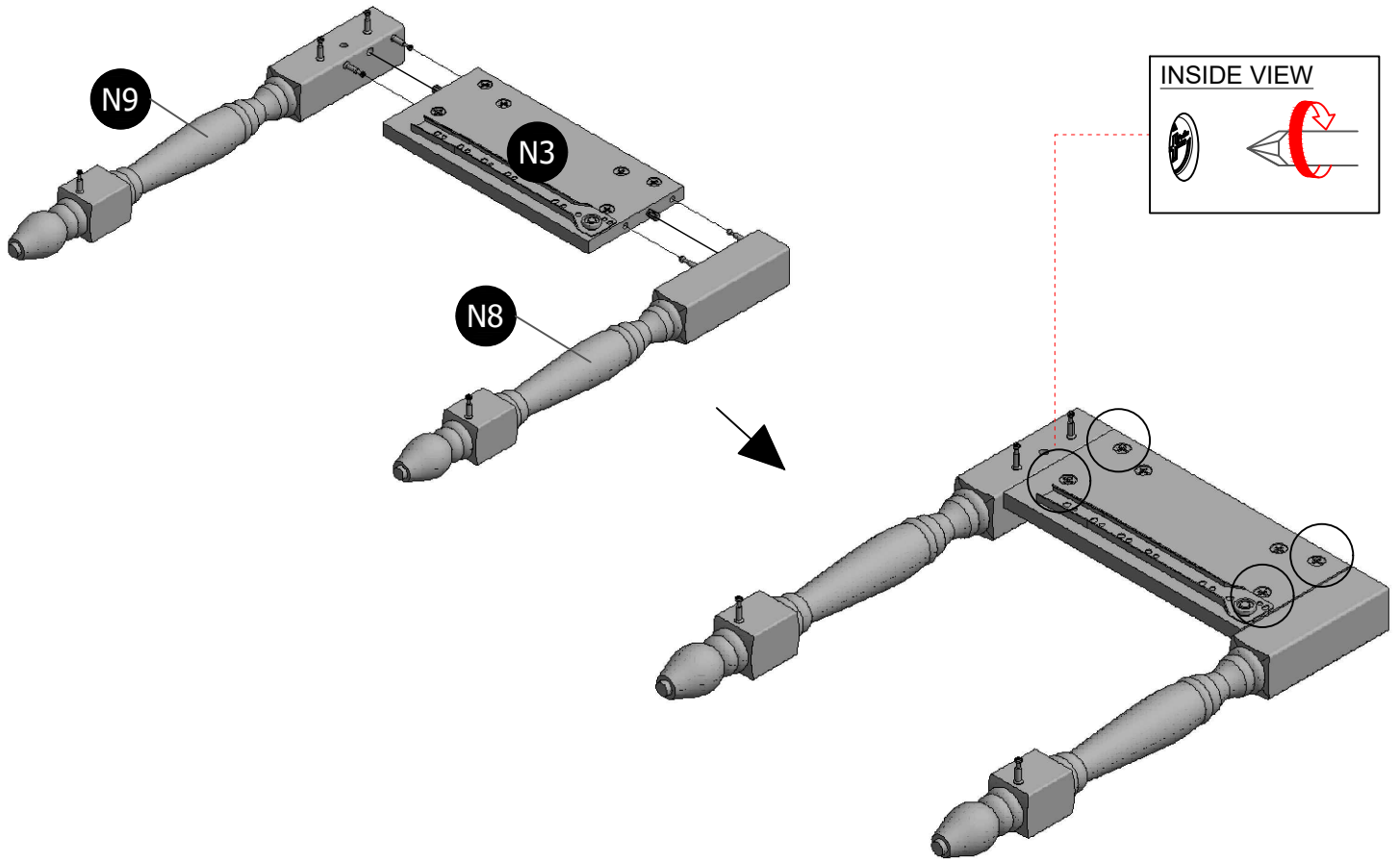
Attach Wooden Legs (N6 & N7) to the Left Panel (N2) and turns the pre-inserting Minifix Cam Lock (A) using screwdriver until fully tighten.



RODEN NS ASSEMBLY INSTRUCTION

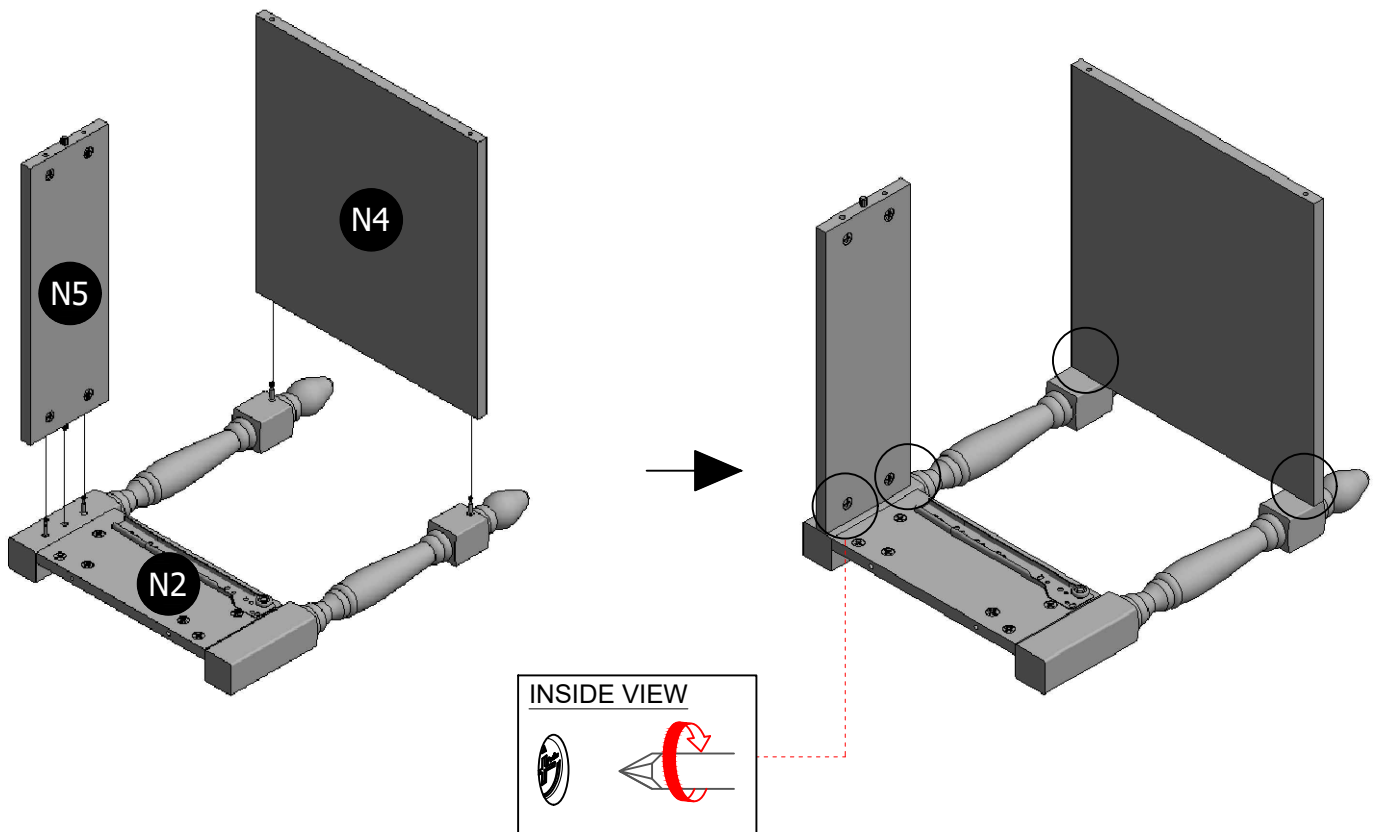
STEP 9

Attach Wooden Legs (N9 & N8) to the Right Panel (N3) and turns the pre-inserting Minifix Cam Lock (A) using screwdriver until fully tighten.



STEP 10

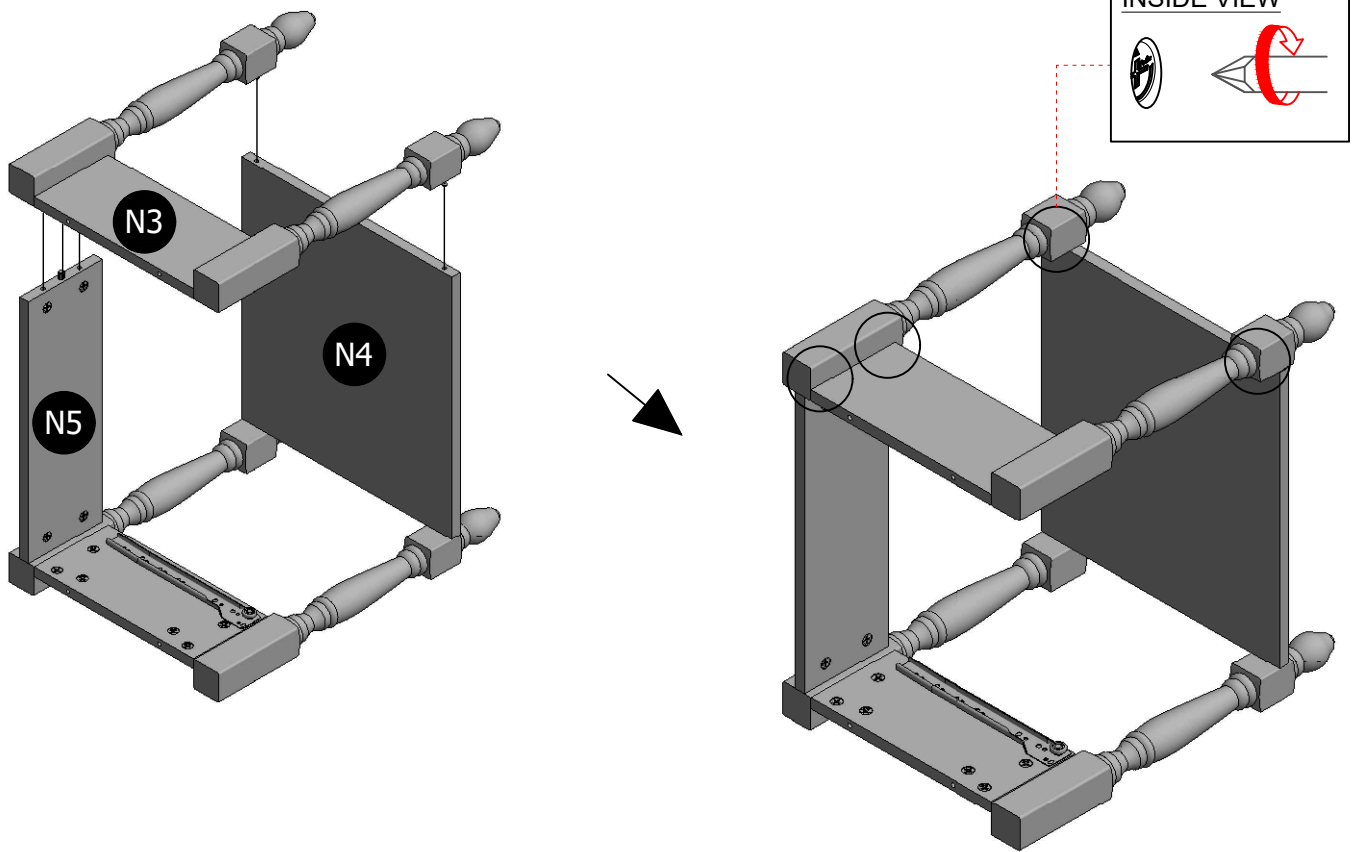
Attach Bottom Panel (N4) & Back Panel (N5) to the Left Panel (N2) and the Wooden Legs (N6 & N7) as per diagram below. Aligning holes and turns the pre-inserting Minifix Cam Lock (A) using screwdriver until fully tighten.



RODEN NS ASSEMBLY INSTRUCTION

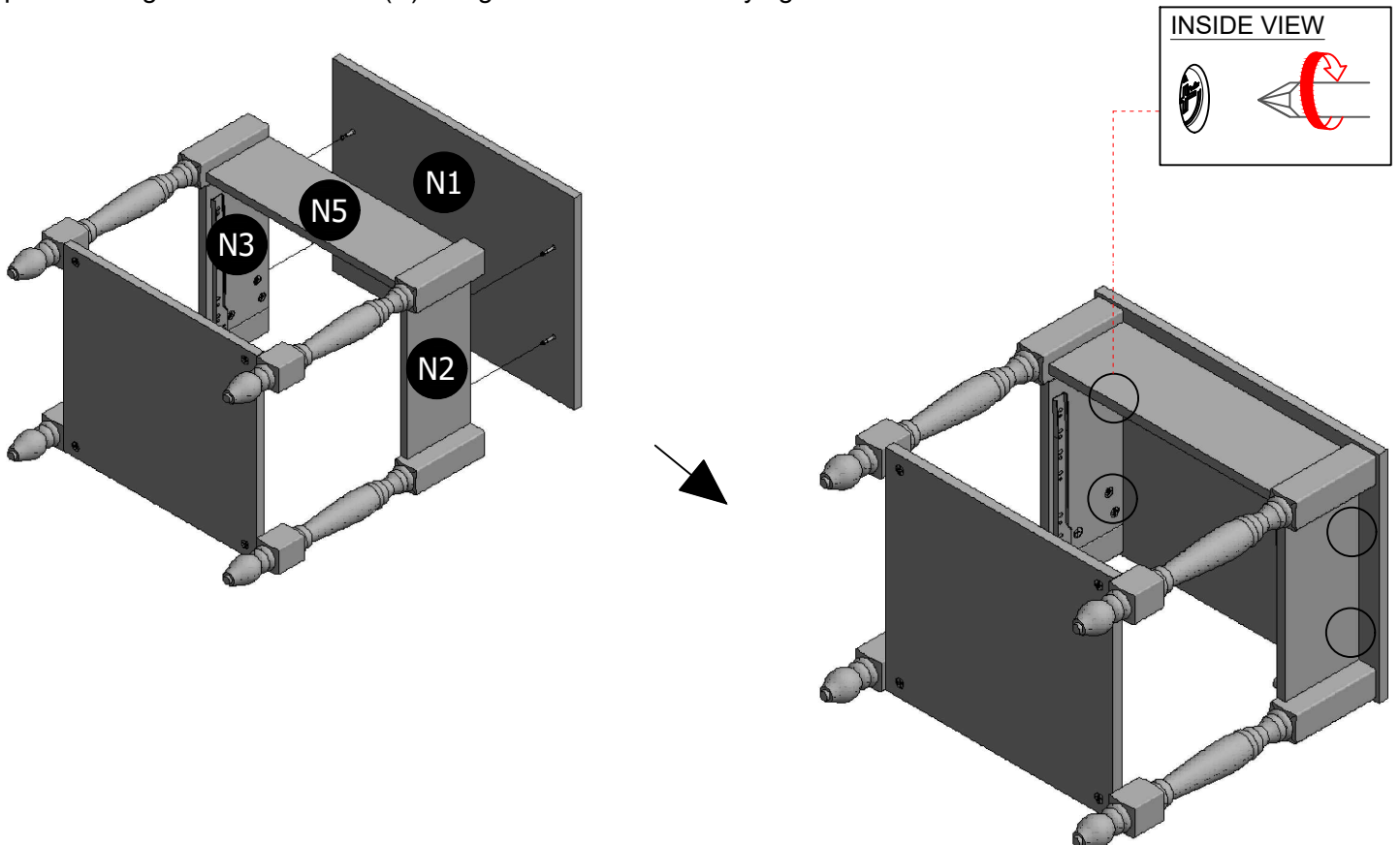
STEP 11

Attach Right Panel (N3) to the Bottom Panel (N4) & Back Panel (N5). Aligning holes and turns the pre-inserting Minifix Cam Lock (A) using screwdriver until fully tighten.



STEP 12

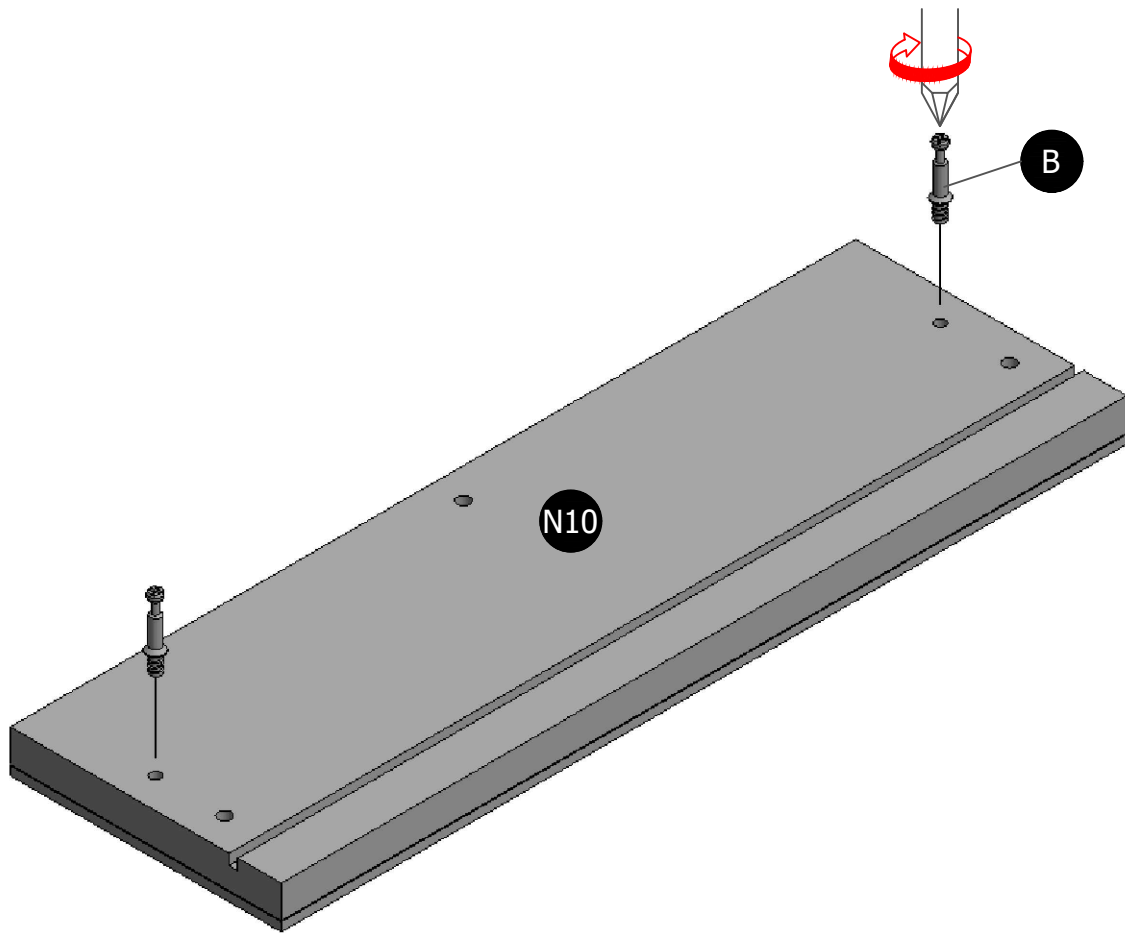
Attach Top Panel (N1) to the Left Panel (N2), Right Panel (N3) and Back Panel (N5) as below. Aligning holes and turns the pre-inserting Minifix Cam Lock (A) using screwdriver until fully tighten.



RODEN NS ASSEMBLY INSTRUCTION

STEP 13

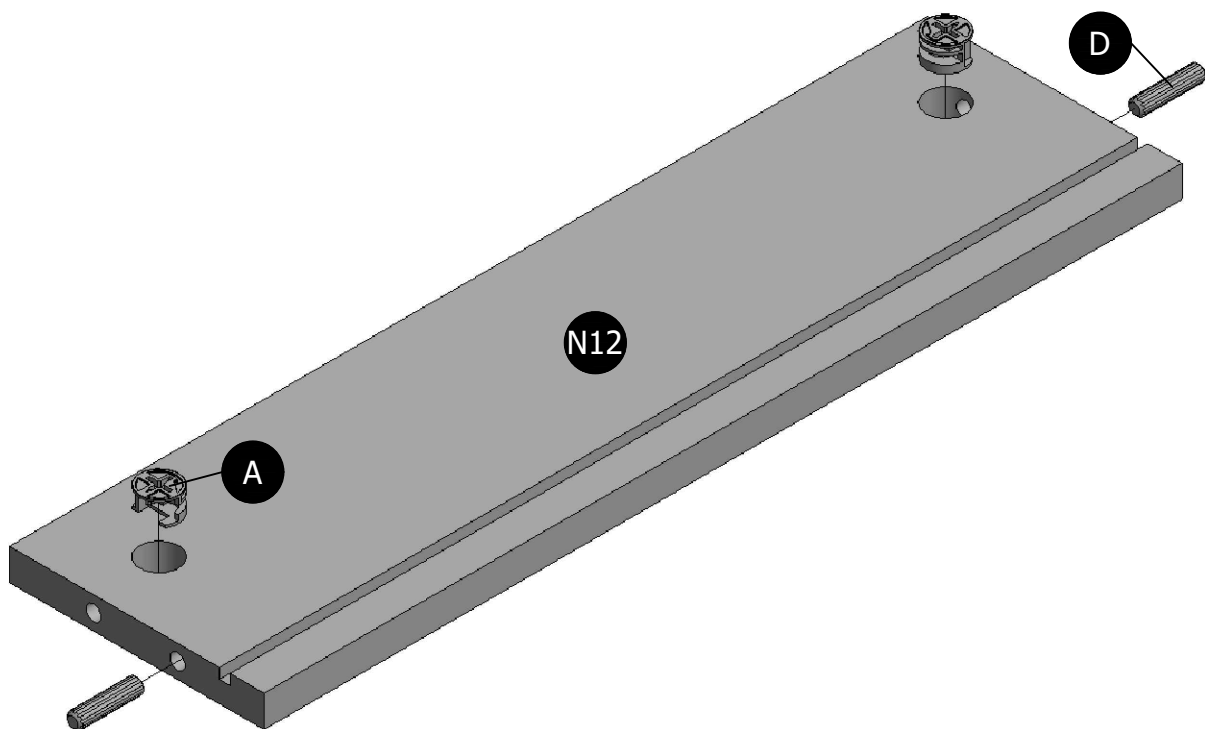
Then, please insert 2 Minifix Cam Bolt (B) to the Drawer Head (N10) using screwdriver.



STEP 14

Inserting 2 Minifix Cam Lock (A) and 2 Wood Dowel (D) to the Drawer Back Panel (N12).

NOTE : - Make sure arrows on each (A) point towards nearest edge with hole.

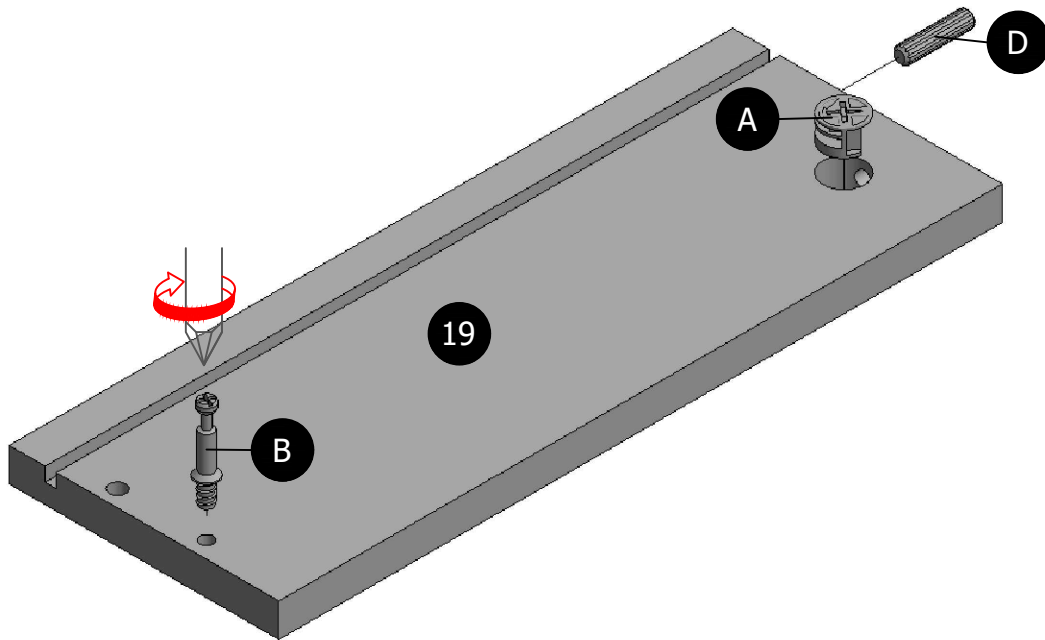


RODEN NS ASSEMBLY INSTRUCTION

STEP 15

Inserting 1 Minifix Cam Lock (A), 1 Minifix Cam Bolt (B) and 1 Wood Dowel (D) to the Drawer Left Panel (19) by using screwdriver.

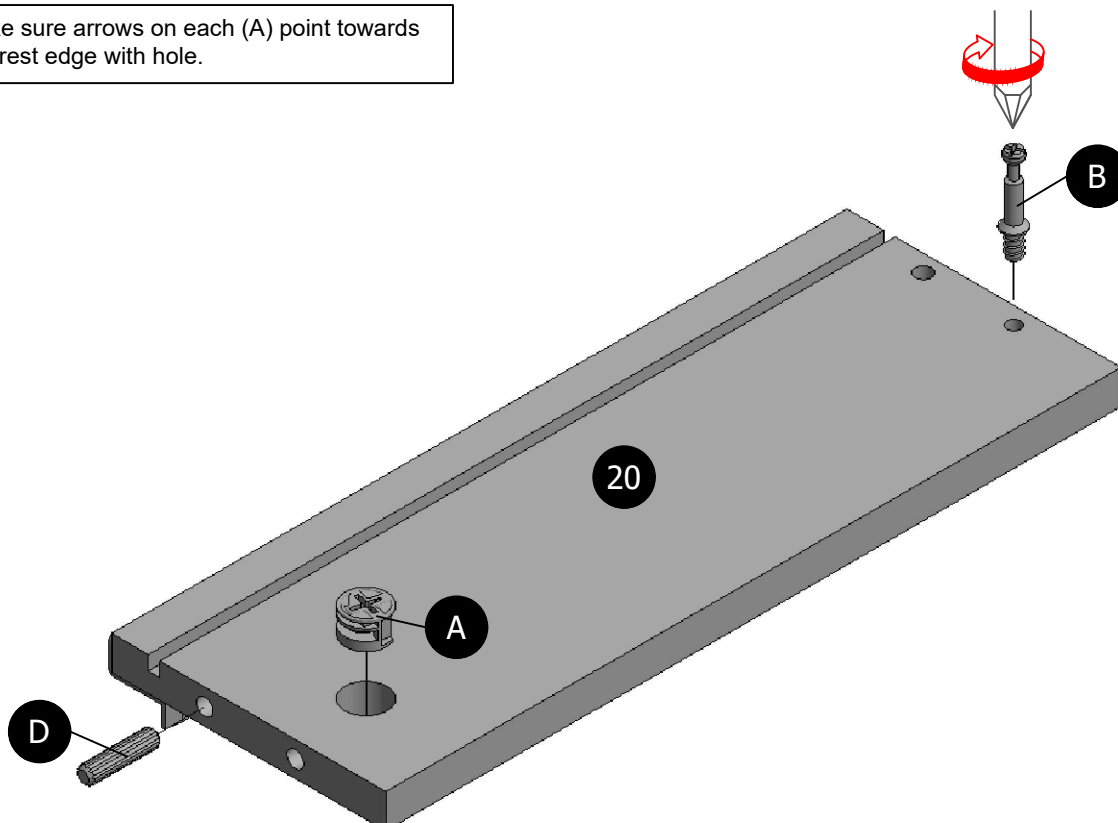
NOTE : - Make sure arrows on each (A) point towards nearest edge with hole.



STEP 16

Inserting 1 Minifix Cam Lock (A), 1 Minifix Cam Bolt (B) and 1 Wood Dowel (D) to the Drawer Right Panel (20) by using screwdriver.

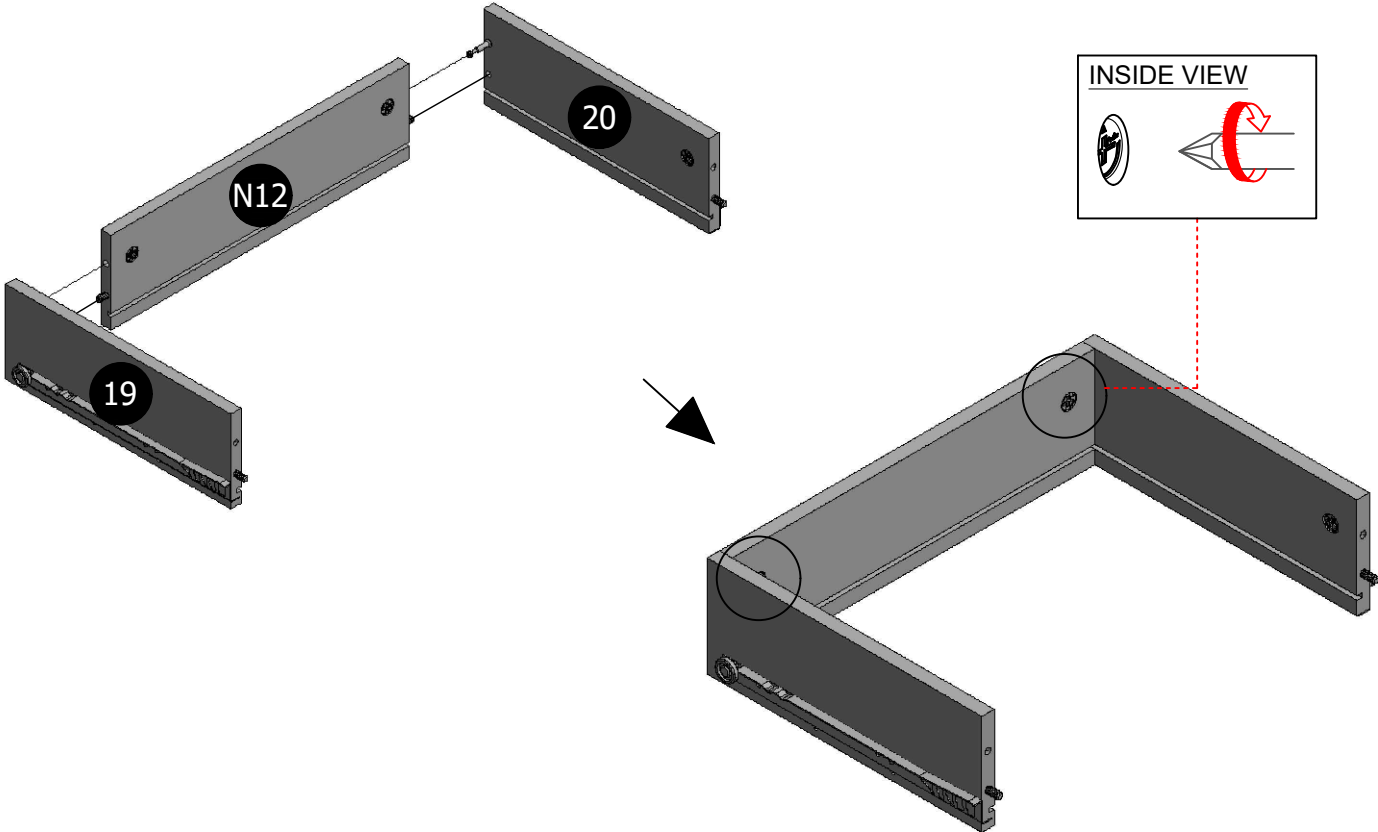
NOTE : - Make sure arrows on each (A) point towards nearest edge with hole.



RODEN NS ASSEMBLY INSTRUCTION

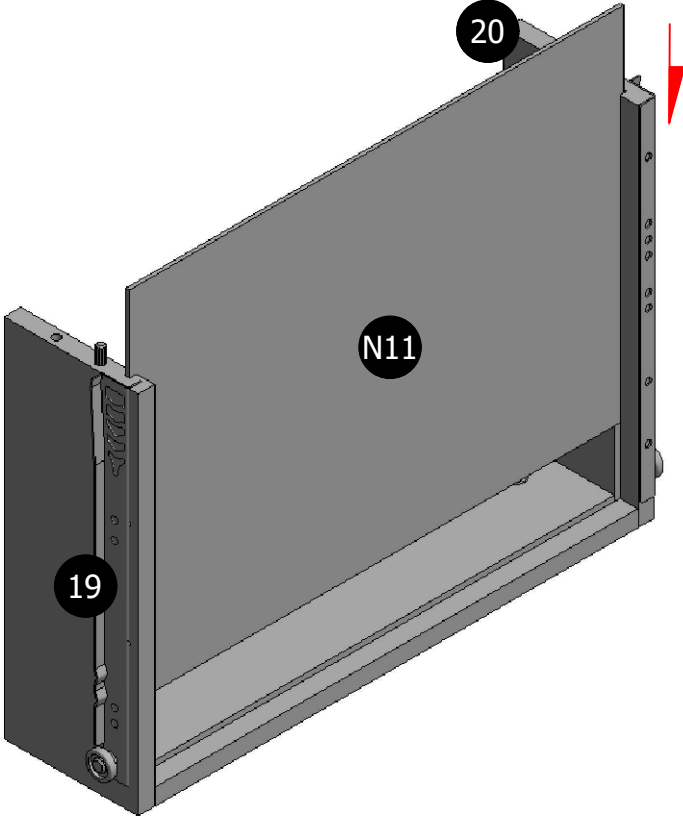
STEP 17

Attach Drawer Left Panel (19) & Drawer Right Panel (20) to the Drawer Back Panel (N12). Aligning holes and turns the pre-inserting Minifix Cam Lock (A) using screwdriver until fully tighten.



STEP 18

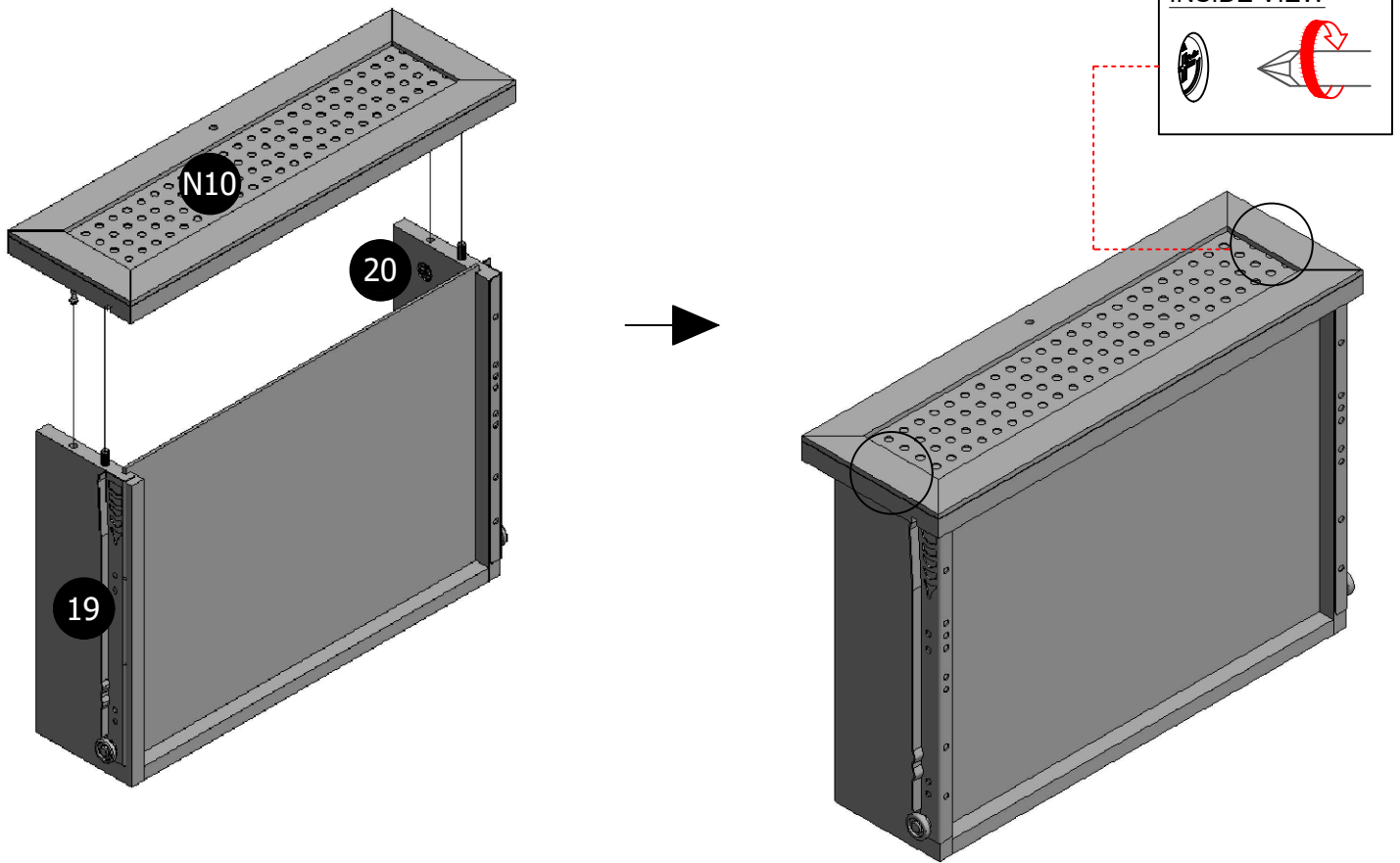
Put the Drawer Bottom Panel (N11) into the Drawer Left Panel (19) and Drawer Right Panel (20) as per below shown.



RODEN NS ASSEMBLY INSTRUCTION

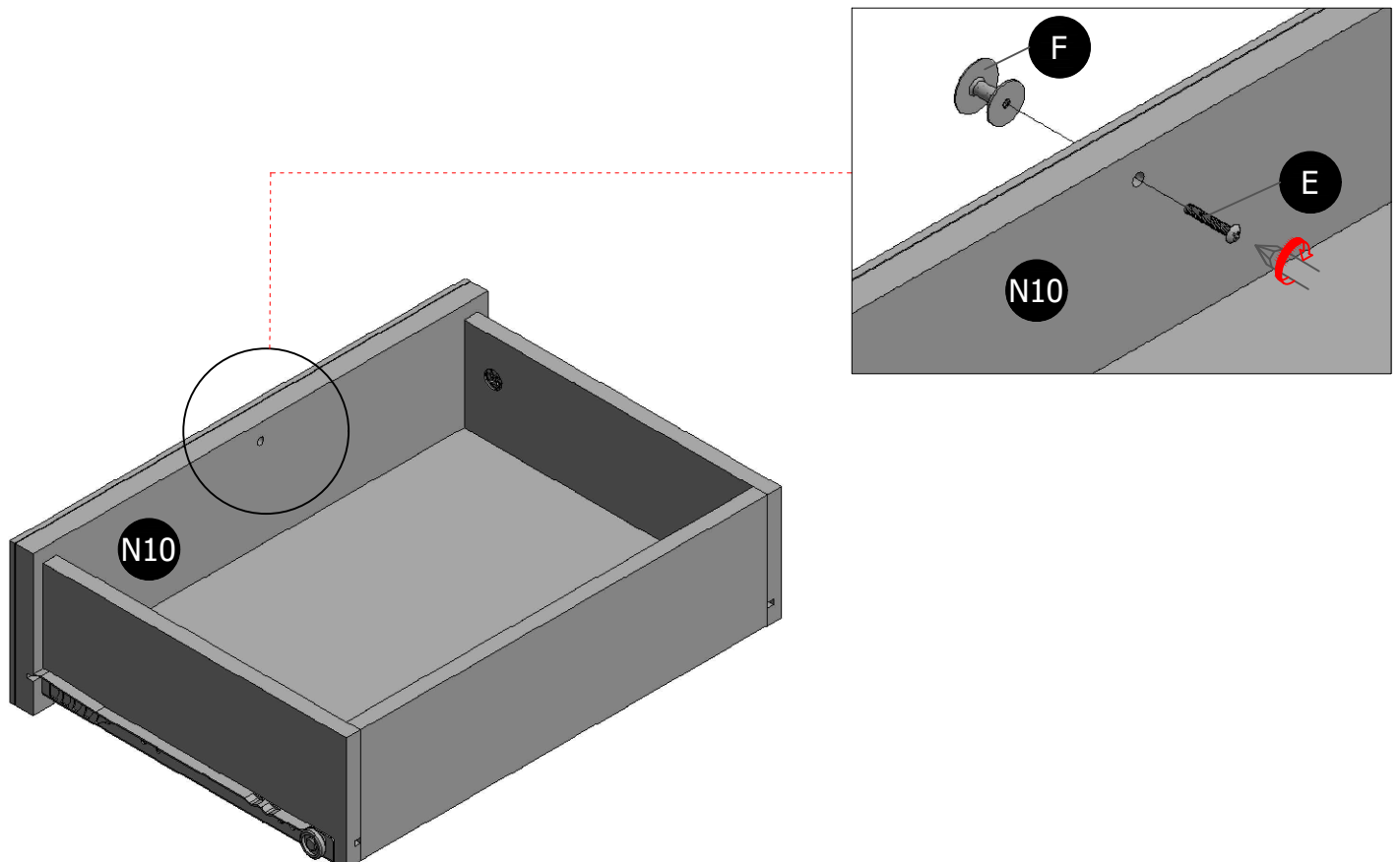
STEP 19

Attach the Drawer Head (N10) to the Drawer Left Panel (19) & Drawer Right Panel (20). Aligning holes and turns the pre-inserting Minifix Cam Lock (A) using screwdriver until fully tighten.



STEP 20

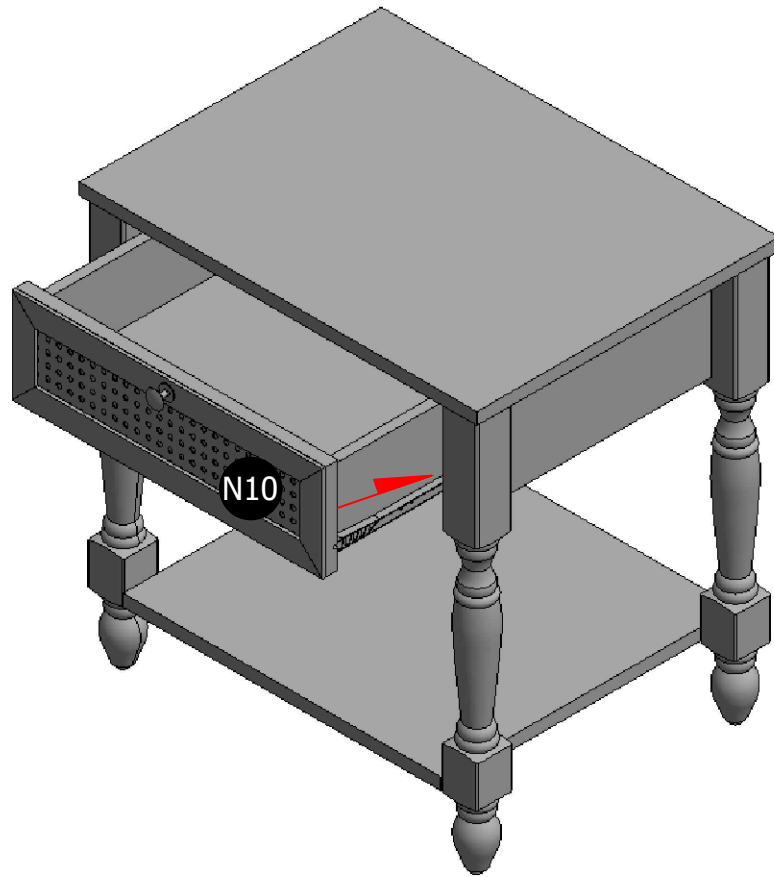
Attach Handle (F) to the Drawer Head (N10) with a Screw (E) by using a screwdriver.



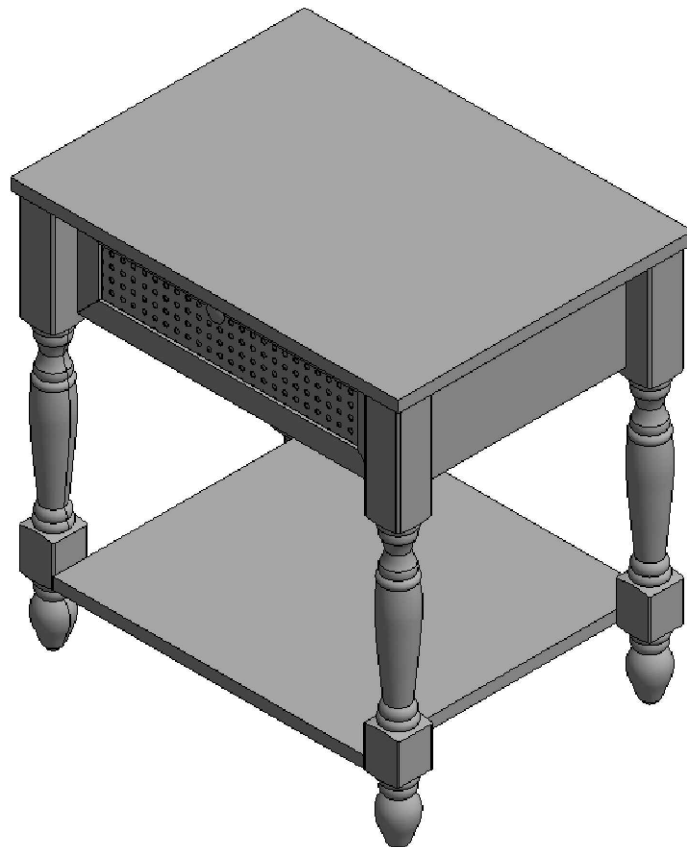
RODEN NS ASSEMBLY INSTRUCTION

STEP 21

Push the complete drawer into the nightstand as per below shown.



STEP 22



ASSEMBLY COMPLETED