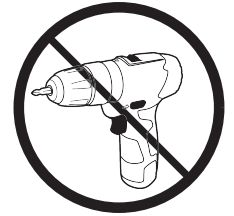
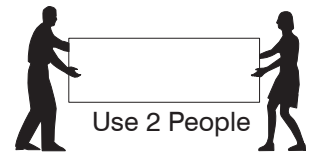
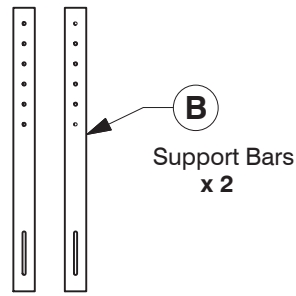
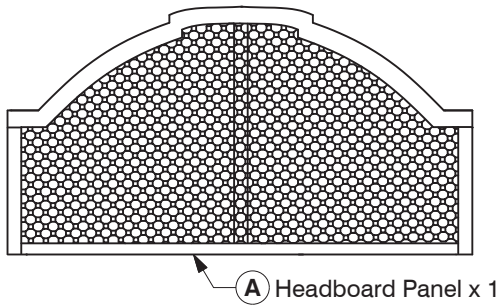


9776-1 Full / Queen Headboard

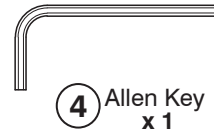
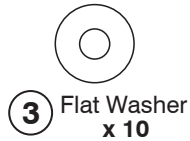
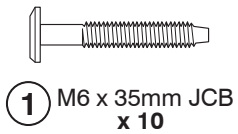
Assembly Instructions

WI-0622

1 Parts List

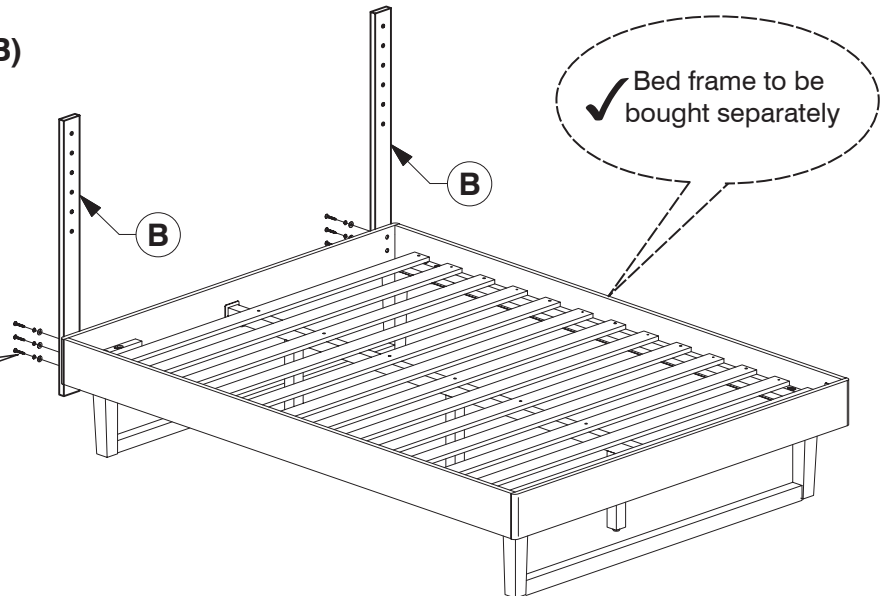
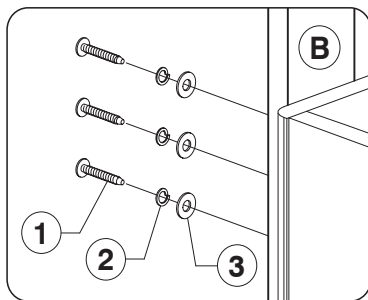


2 Hardware List

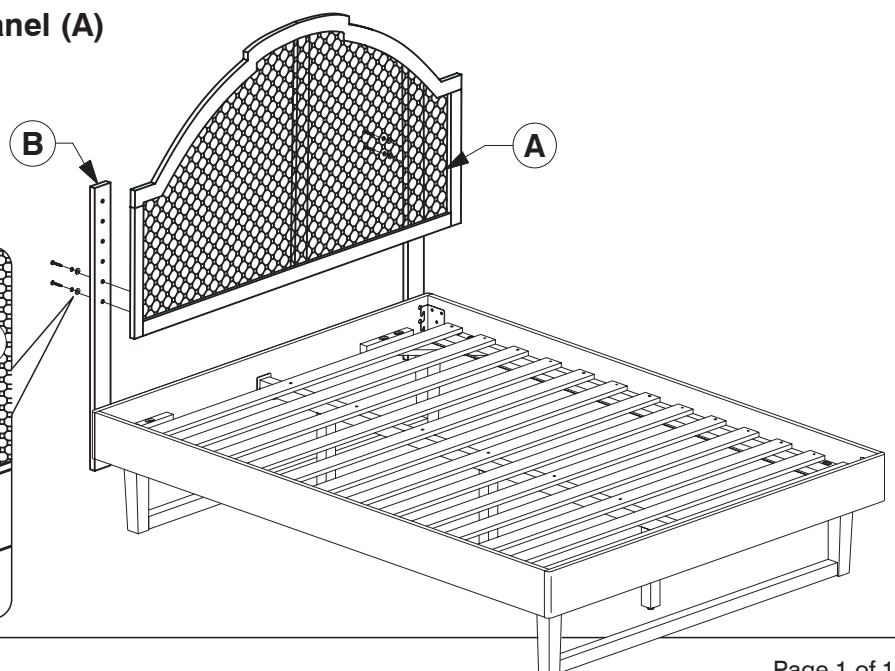
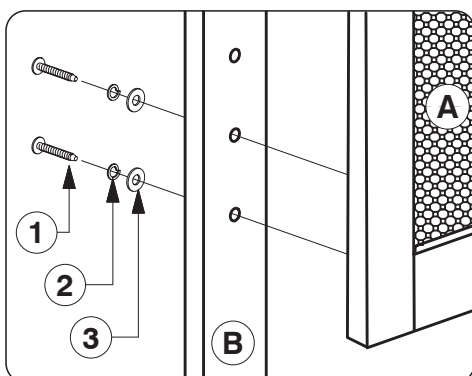


Note: Do not assemble using power tools. This can cause the bolts to be overtightened

3 Assemble the Support Bars (B) to the Headboard Panel (A).



4 Assemble the Headboard Panel (A) to the Support Bars (B).

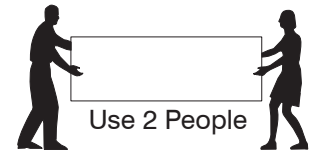
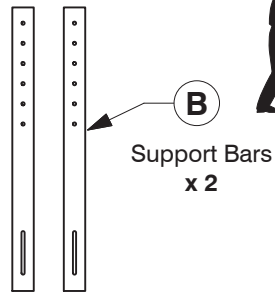
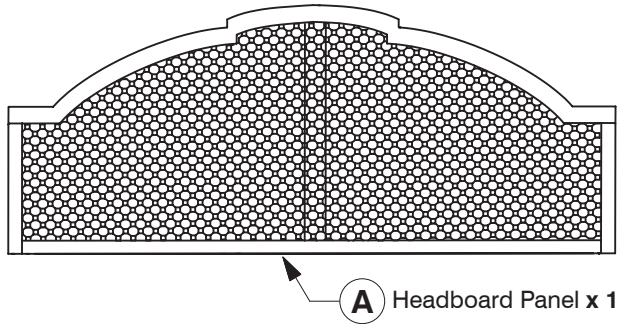


9776-1 King Headboard

Assembly Instructions

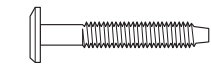
WI-0622

1 Parts List



Note: Do not assemble using power tools. This can cause the bolts to be overtightened

2 Hardware List



1 M6 X 35mm JCB x 10



2 Spring Washer x 10

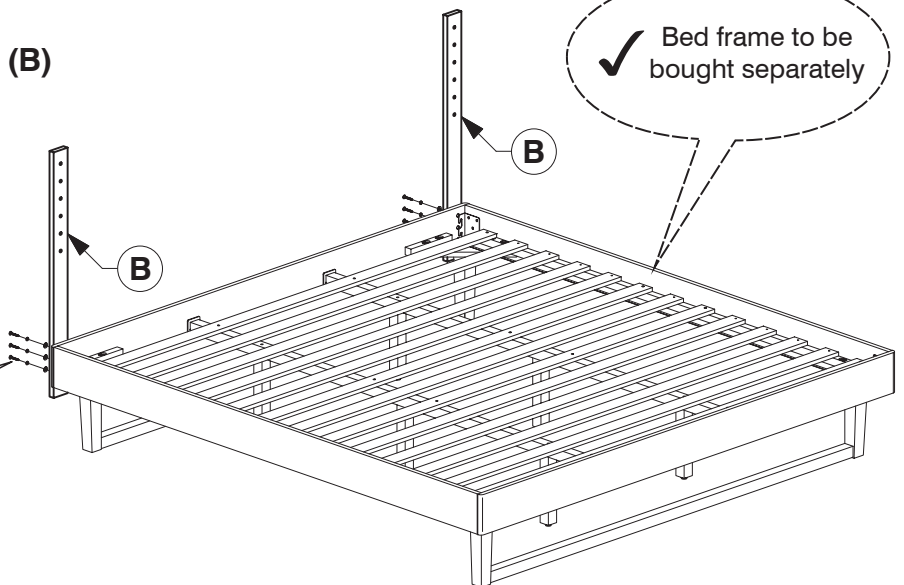
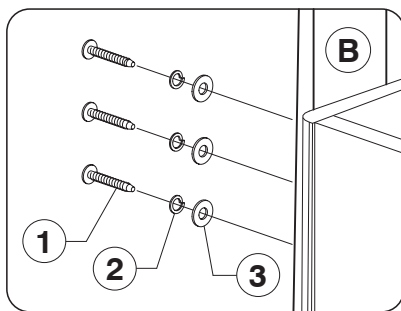


3 Flat Washer x 10

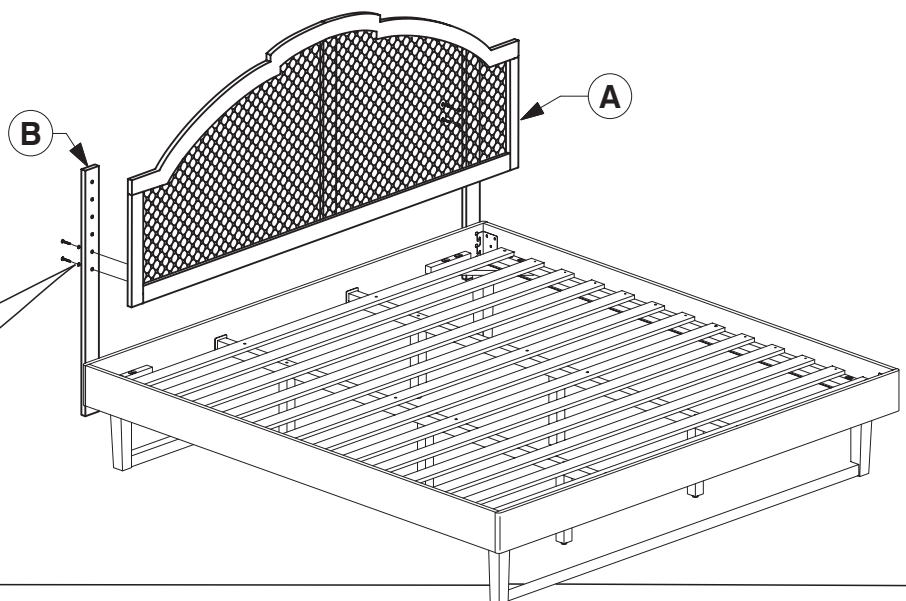
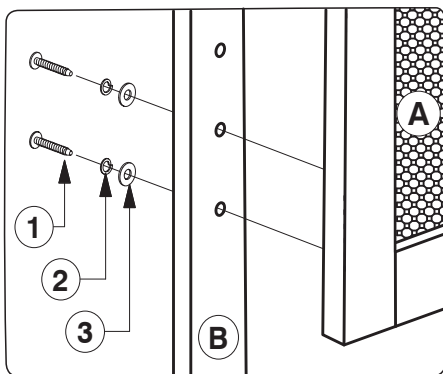


4 Allen Key x 1

3 Assemble the Support Bars (B) to the Headboard Panel.



4 Assemble the Headboard Panel (A) to the Support Bars (B).

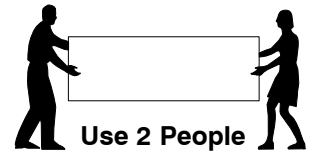
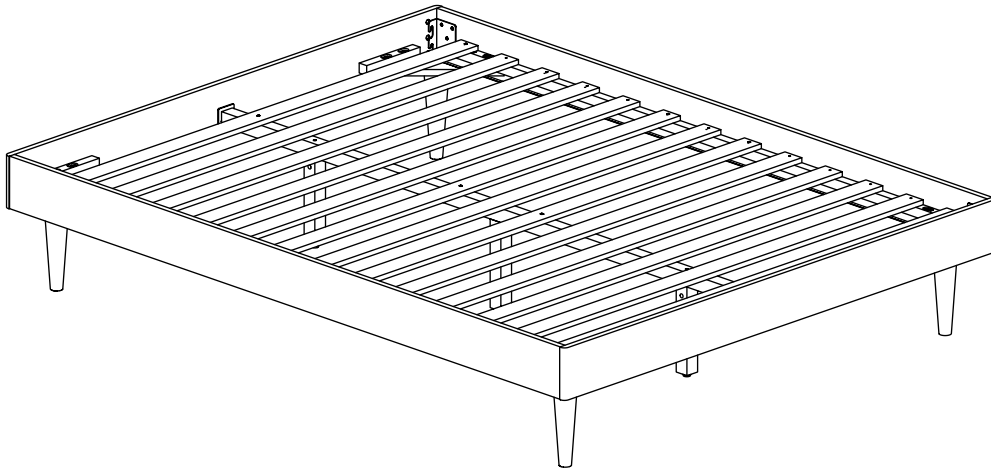


Queen Bed

Assembly Instructions

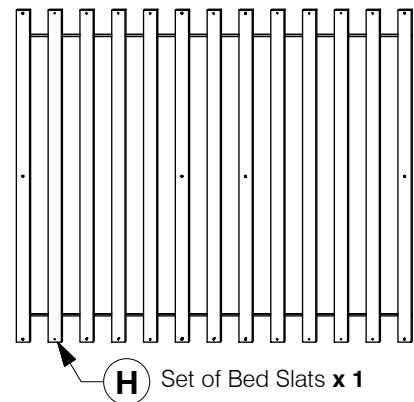
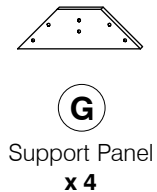
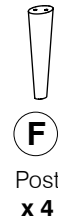
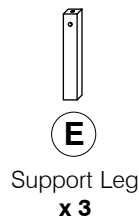
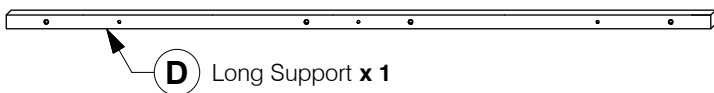
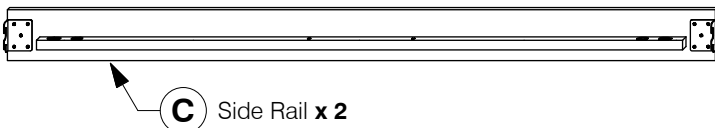
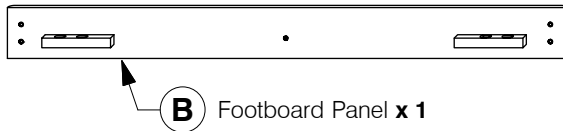
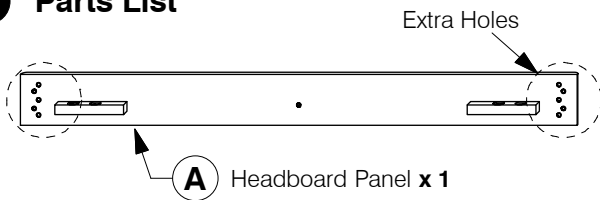
W11-0419

1 Assembled View

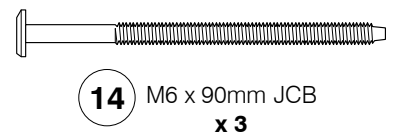
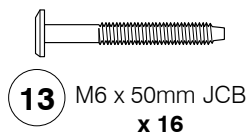
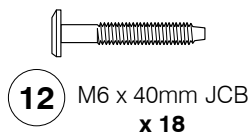
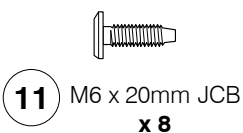
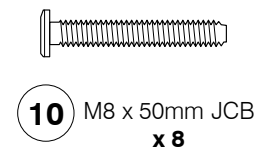
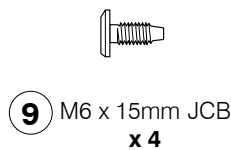
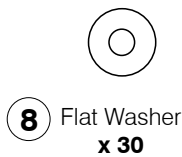
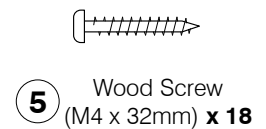
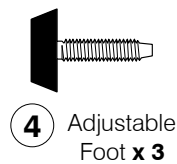
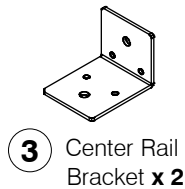
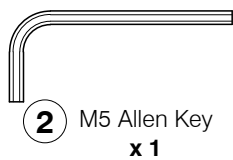
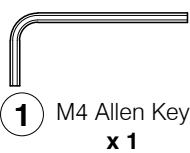


Note: Do not assemble using power tools. This can cause the bolts to be overtightened

2 Parts List



3 Hardware List

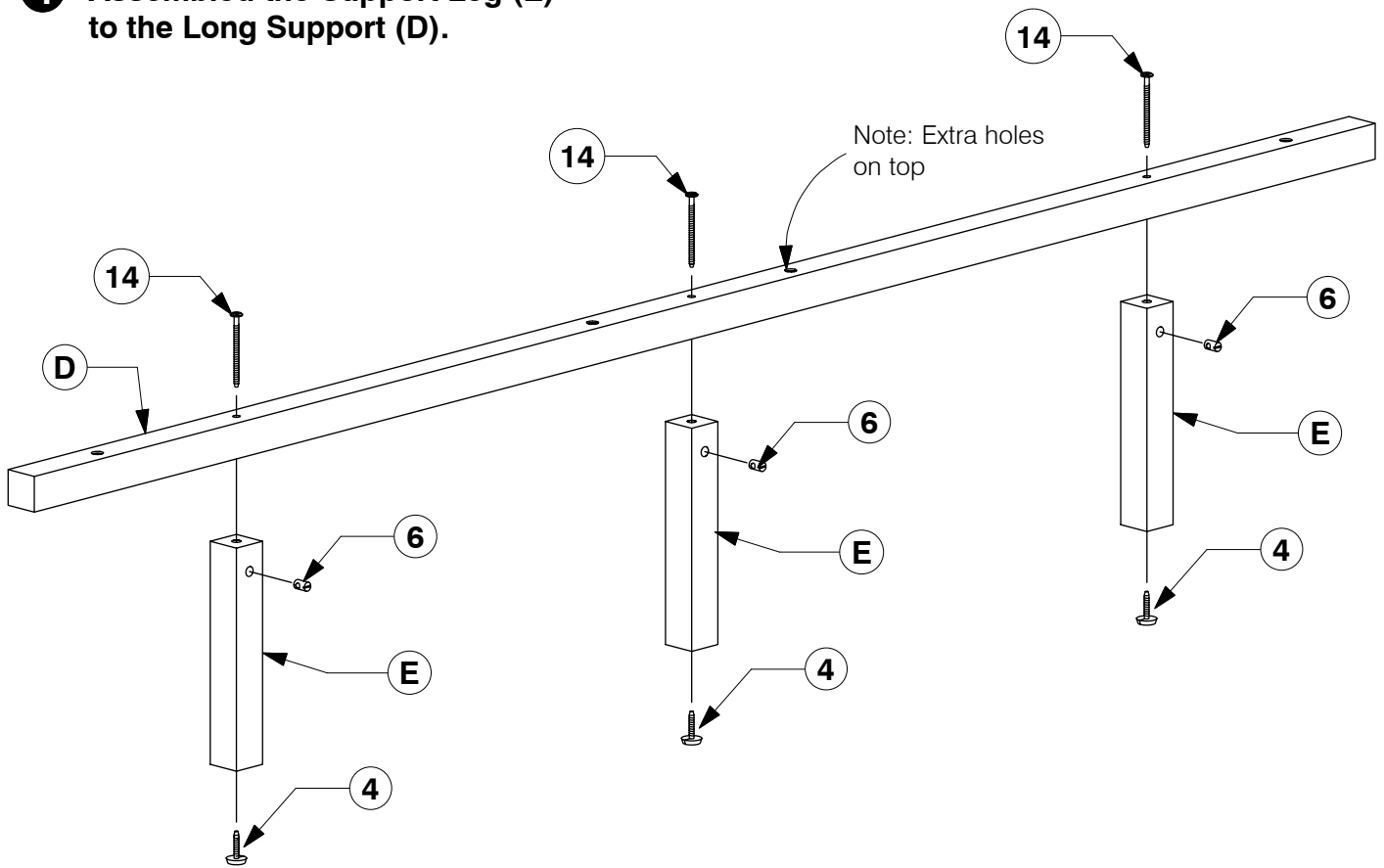


97151 Queen Bed

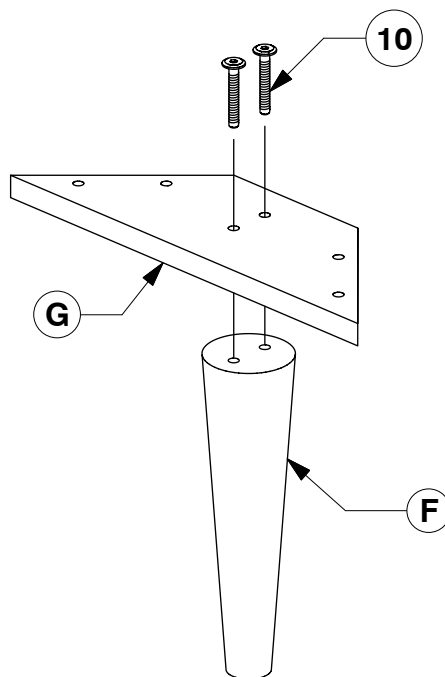
Assembly Instructions

WII-0419

- 4** Assembled the Support Leg (E) to the Long Support (D).



- 5** Fit the Post (F) to the Support Panel (G).

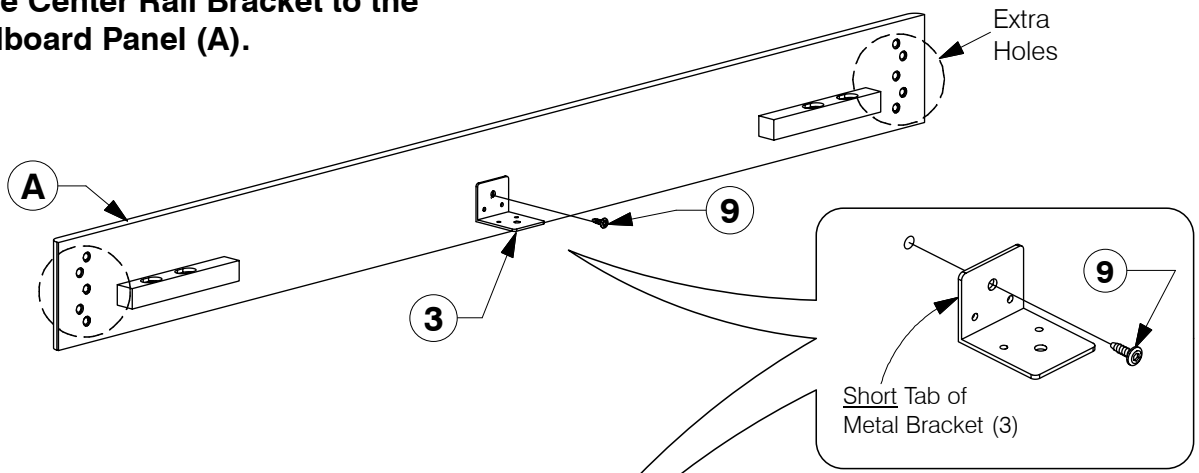


97151 Queen Bed

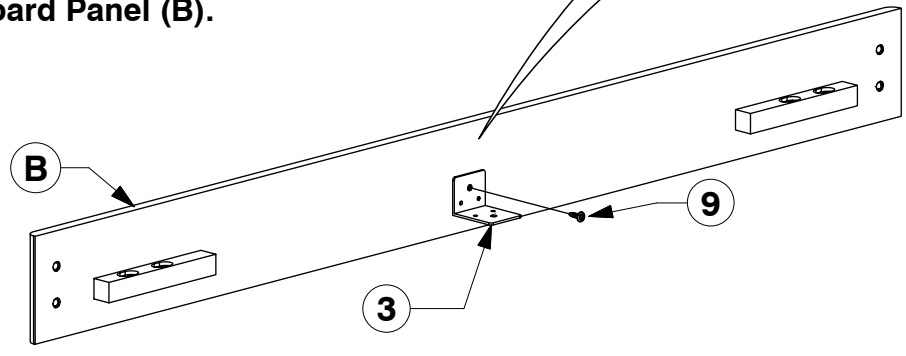
Assembly Instructions

W11-0419

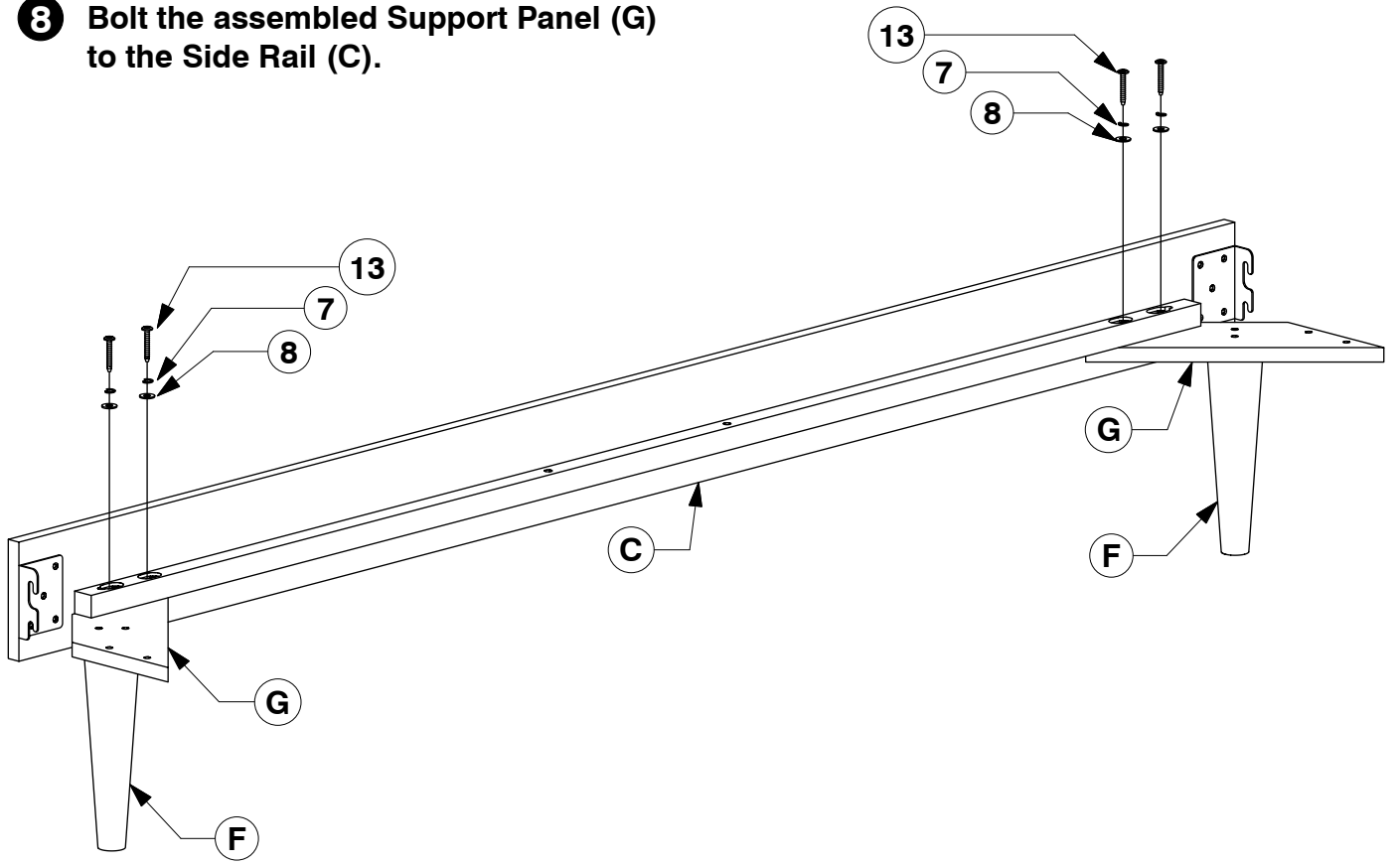
6 Fit the Center Rail Bracket to the Headboard Panel (A).



7 Fit the Center Rail Bracket to the Footboard Panel (B).



8 Bolt the assembled Support Panel (G) to the Side Rail (C).

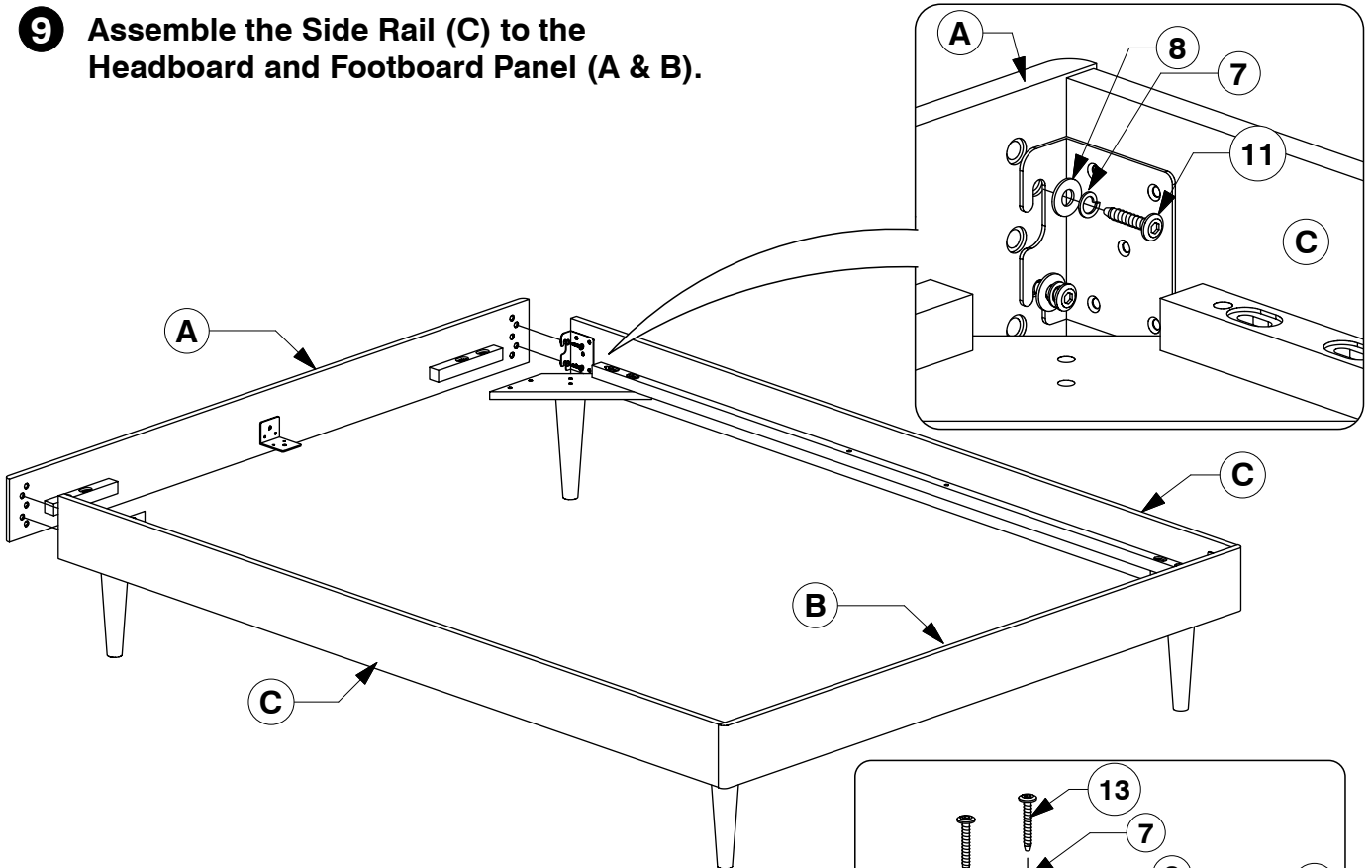


97151 Queen Bed

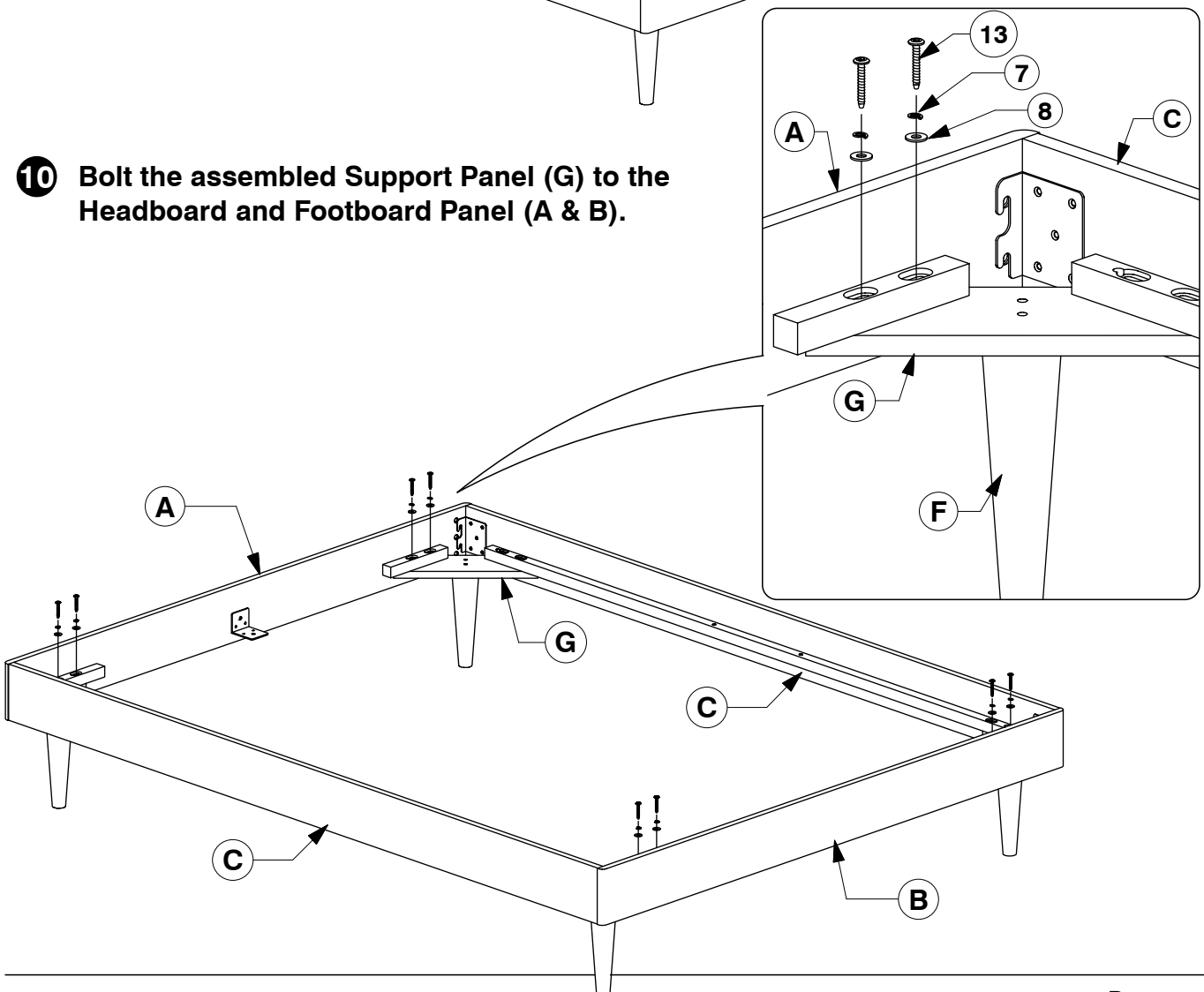
Assembly Instructions

W11-0419

- 9 Assemble the Side Rail (C) to the Headboard and Footboard Panel (A & B).**



- 10 Bolt the assembled Support Panel (G) to the Headboard and Footboard Panel (A & B).**

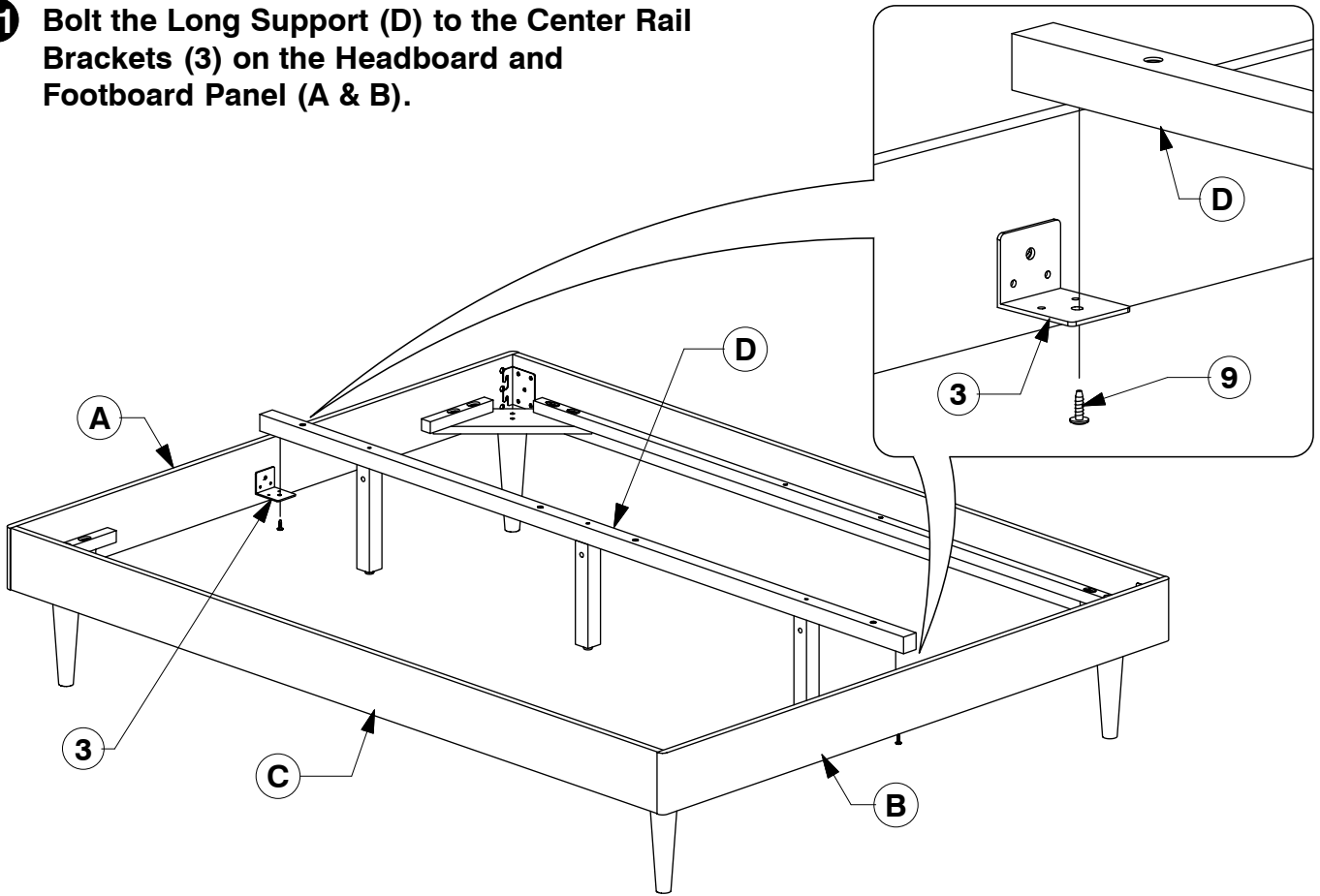


97151 Queen Bed

Assembly Instructions

WII-0419

- 11** Bolt the Long Support (D) to the Center Rail Brackets (3) on the Headboard and Footboard Panel (A & B).



- 12** Bolt & screw the Bed Slats (H) to the Side Rail (C).

